

# Bunk Bed Storage

Assembly Instruction – Please keep properly for future reference.

If you find any missing boxes, damaged parts, or accessory shortages, please contact the customer service team of your purchasing channel immediately. We will resolve the issue as quickly as possible.



## THE FOLLOWING INFORMATION:

- Order number
- Purchase platform
- Purchase date
- Detailed description of the issue along with photos (if applicable)

**Important** – Please read these instructions carefully before starting the installation.

# Bunk Bed Storage

V1.0

EN

# Before Assembly



Thank you for choosing this product!

To ensure safe use and long-term maintenance, please read this manual carefully and keep it properly for future reference.

## Packaging Notice:

### 1. Multi-Box Shipping Notice

This product is packaged in 2 separate boxes for shipping and may arrive in batches at different times. To ensure a smooth assembly process, please make sure all boxes are received before unpacking and starting the installation.

### 2. Box and Packaging Verification

Each box is labeled with a corresponding number. Please refer to the packing list on the next page of this manual to verify that all boxes have been received.

If you find any missing boxes, damaged parts, or accessory shortages, please contact the customer service team of your purchasing channel immediately. We will resolve the issue as quickly as possible.

## Important Notice:

- To ensure a smooth and successful installation, please read this guide carefully. It provides essential information about the required tools, materials, and assembly steps. Follow the instructions in each section to avoid any issues caused by improper installation.
- Please review all operational and safety guidelines to ensure proper and secure assembly.
- This guide reflects the most current product information available at the time of printing. We reserve the right to make changes to product features, packaging, or availability without prior notice.
- Before starting assembly, ensure that all necessary electrical and environmental preparations are completed.
- This manual contains important instructions regarding installation, cleaning, and maintenance. Please read it thoroughly and keep it for future reference.

## Pre-Installation Checklist

### 1. Inspect the Product

Before installation, carefully examine the product for any damage or defects. If any issues are found, contact customer support before proceeding with assembly.

### 2. Ensure a Stable Installation Surface

Assemble the bed on a clean, flat, and stable surface to ensure proper balance and structural integrity.

### 3. Avoid Unfavorable Environments

Do not place the bed in humid areas or locations exposed to prolonged direct sunlight, as this may affect its durability.

### 4. Handle with Care During Installation

Use protective materials (such as soft cloths) while handling the product to prevent scratches or damage during assembly.

### 5. Contact Customer Support for Assistance

If you have any questions or require technical support, refer to the customer service contact information provided in this manual.



## Safety Warnings

### 1. Follow Warning Labels

Do not remove, alter, or obscure any warning labels on the product or packaging. Always adhere to the displayed safety instructions to ensure proper usage.

### 2. Conduct Regular Inspections

Periodically inspect all components to ensure they are properly installed, undamaged, and securely fastened. Report any issues to customer support immediately.

### 3. Practice Safe Usage

Avoid playing, jumping, or engaging in activities on or under the bed, as this may cause injury or structural damage.

### 4. Beware of Rope Hazards

Do not attach ropes, hooks, straps, or any non-designated accessories to any part of the bed, as this may pose a safety hazard.

## 5. Keep This Manual for Reference

Store this manual in a safe and accessible place for future reference.

## 6. Safety is a Shared Responsibility

Ensuring safety is a joint responsibility between the manufacturer and the user. Please follow all safety precautions during assembly and use.

## Disclaimer

We are committed to delivering safe, high-quality, and reliable products to our customers. If you have any questions, concerns, or require further assistance, please contact our customer service team without hesitation.

# Maintenance and Care Recommendations



## 1. Regular Cleaning

To maintain hygiene and prevent bacterial growth, clean the product regularly. Use a damp, well-wrung cloth to avoid excess moisture and prevent surface scratches.

## 2. Prevent Corrosion

Keep the product away from acidic or alkaline substances, as they may cause corrosion or damage to the materials.

## 3. Use Only Authorized Replacement Parts

Do not use unauthorized or third-party replacement parts, as they may compromise the product's safety and durability. If a replacement is needed, contact the manufacturer or an authorized dealer for approved parts.

## 4. Cleaning Precautions

Do not machine wash or rinse any part of the product directly with water, as this may damage the materials and reduce product lifespan.

## 5. Prevent Pests

Keep wooden furniture away from damp or humid areas to prevent pest infestations and wood damage. Use a dehumidifier or air conditioner during humid seasons to maintain a dry environment.

## 6. Protect from Sunlight

Avoid placing furniture in direct sunlight, as prolonged exposure may cause cracking, discoloration, or fading. If sunlight exposure is unavoidable, use curtains or shades to minimize damage.

## 7. Keep Away from Fire

Position furniture away from heat sources and open flames to prevent damage and maintain its condition.

## 8. Perform Regular Care

Apply furniture oil periodically to maintain the wood's shine, prevent cracks, and extend its lifespan.

## 9. Clean Frequently

Regularly vacuum dust and debris, especially underneath furniture, to keep it clean and hygienic.

## 10. Maintain a Dry Environment

Ensure good ventilation to prevent moisture buildup, which can damage wood. Use a dehumidifier if necessary to protect the furniture.

## 11. Avoid Corrosive Liquids

Keep furniture away from acidic or alkaline substances, as these can damage the surface and reduce durability.

## 12. Use a Damp Cloth for Cleaning

Wipe furniture with a well-wrung damp cloth to prevent water damage or swelling.

Avoid excessive moisture exposure.

## 13. Limit Sun Exposure

Excessive sunlight can dry out and weaken wood. Position furniture in shaded areas or use UV-blocking curtains to protect it from damage.



# Customer Service Guide

Thank you for choosing our product! We are committed to providing you with excellent service. If you find any missing parts, damaged packaging, or product damage after receiving all packages, please follow the steps below to quickly contact our customer service team. We will do our best to resolve your issue.

## 1. Missing Parts

### Verify Parts:

1. Refer to the "Parts List" in the manual to verify the name, specifications, and quantity of the missing parts.
2. Take a clear photo of the parts list and mark the missing parts with detailed information, e.g., "Missing 5 pieces of M6×30mm screws."

**Contact Us:****By Email:**

Send an email with the subject line "Missing Parts Issue." Include the following in the email:

A description of the missing parts and a photo of the parts list.

Order details (order number, purchase platform, purchase date).

**2. Product or Packaging Damage****If it affects normal use:****Steps:**

1. Take clear photos or videos showing the damaged parts and the extent of the damage (multi-angle shots are recommended).
2. Email the photos/videos along with order details with the subject line "Product Damage Issue."

**Resolution:**

After verification, we will arrange for a replacement part, product exchange, or refund as quickly as possible.

**If it does not affect normal use:****Steps:**

1. Contact our customer service team
2. Provide a description of the damage and include relevant photos or videos.

**Resolution:**

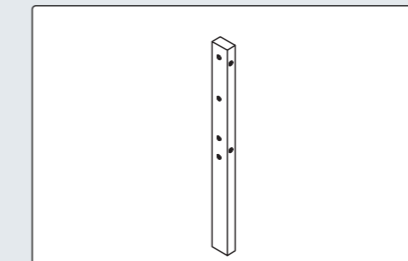
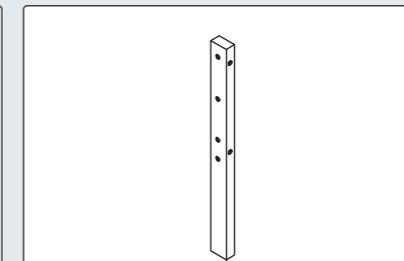
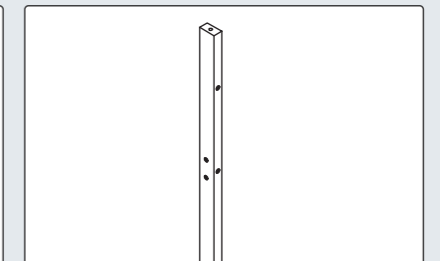
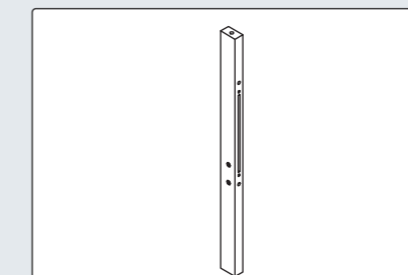
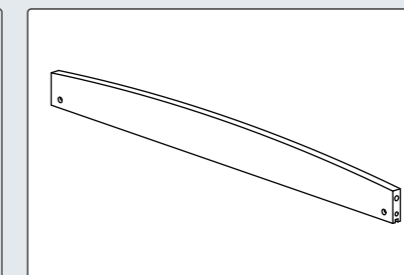
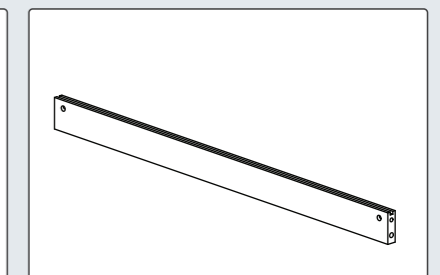
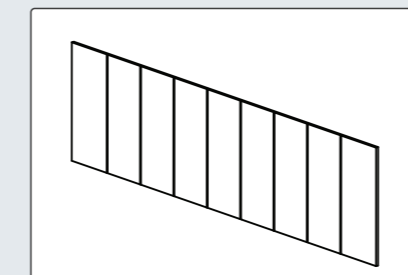
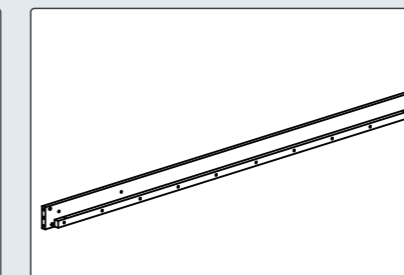
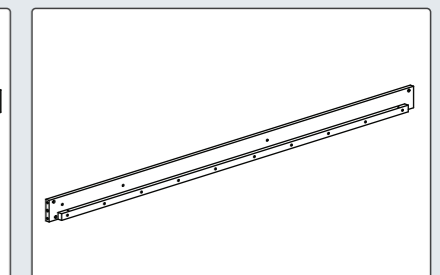
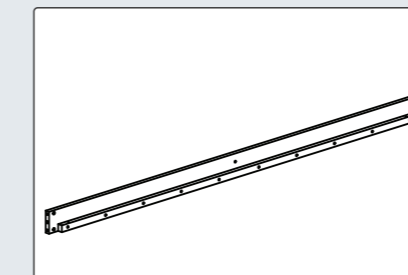
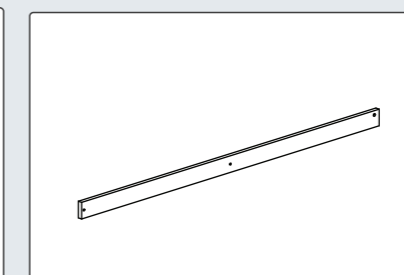
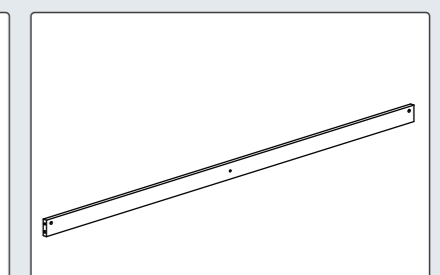
We will provide repair guidance or an appropriate compensation plan based on the specific situation.

**Helpful Tips****To process your issue efficiently, please prepare the following information:**

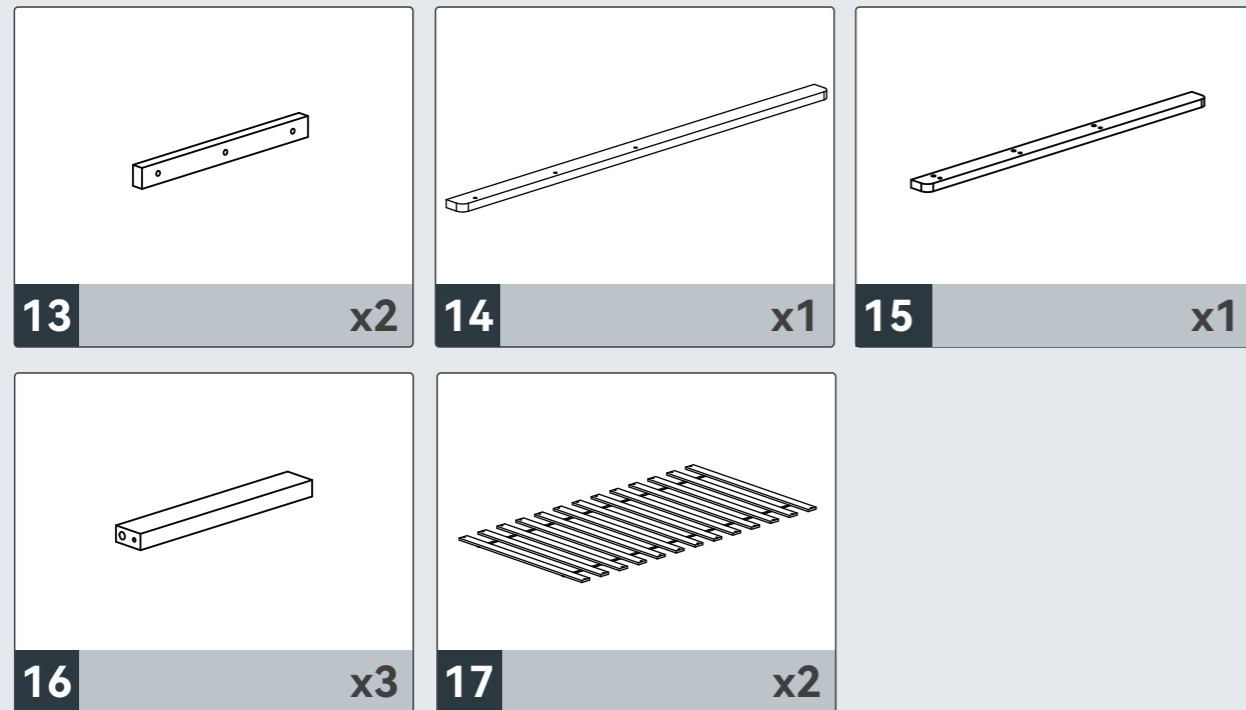
- Order details (order number, purchase platform, purchase date).
- Clear photos or videos.
- We are committed to providing quick and professional solutions, no matter the size of the issue, to ensure your satisfaction.

**Thank you for your trust and support!**

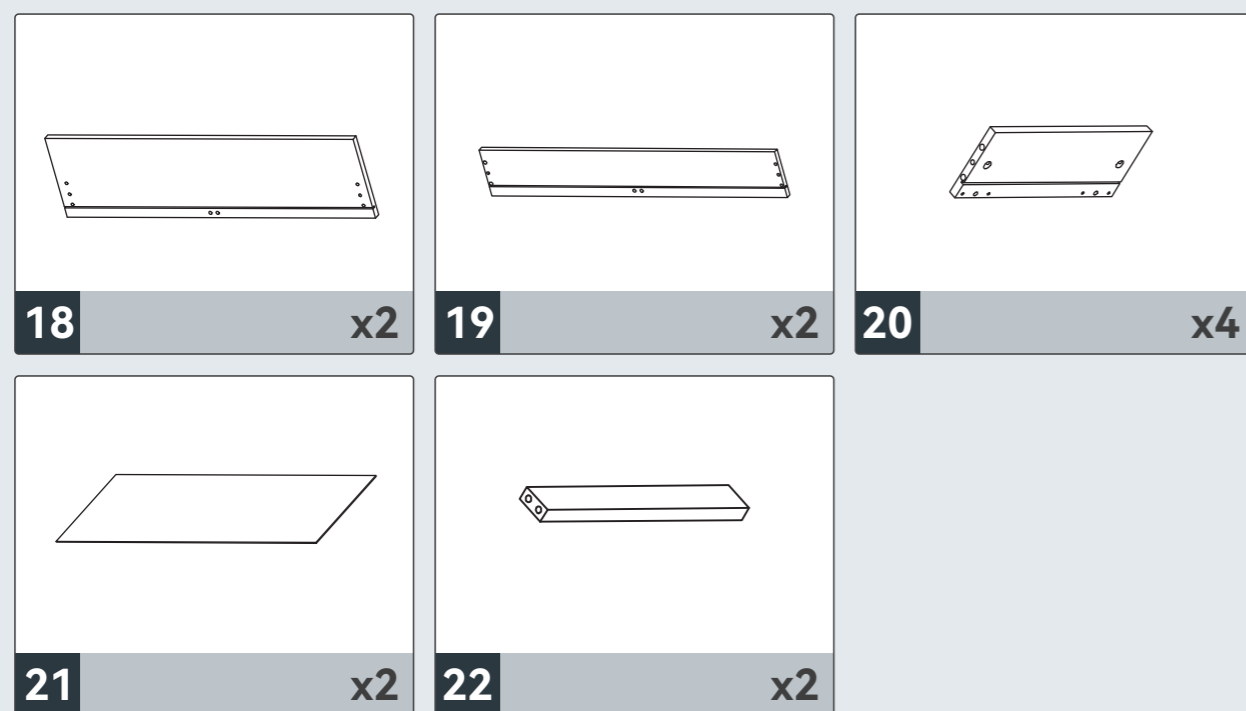
**We hope you enjoy using our product!**

**Parts List****Box 1****1** x2**2** x2**3** x2**4** x2**5** x4**6** x4**7** x4**8** x2**9** x1**10** x1**11** x2**12** x2

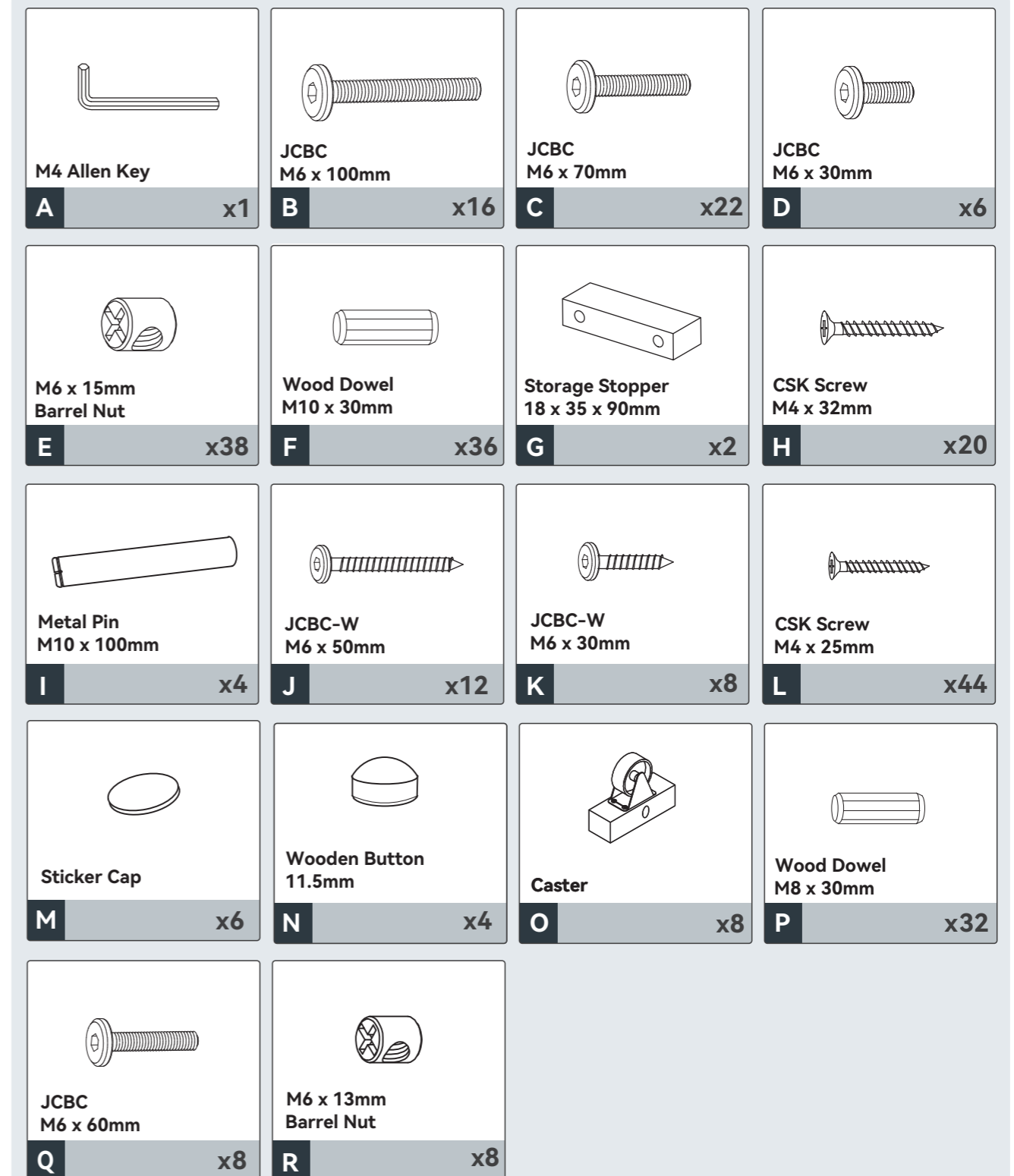
## Box 1 continues



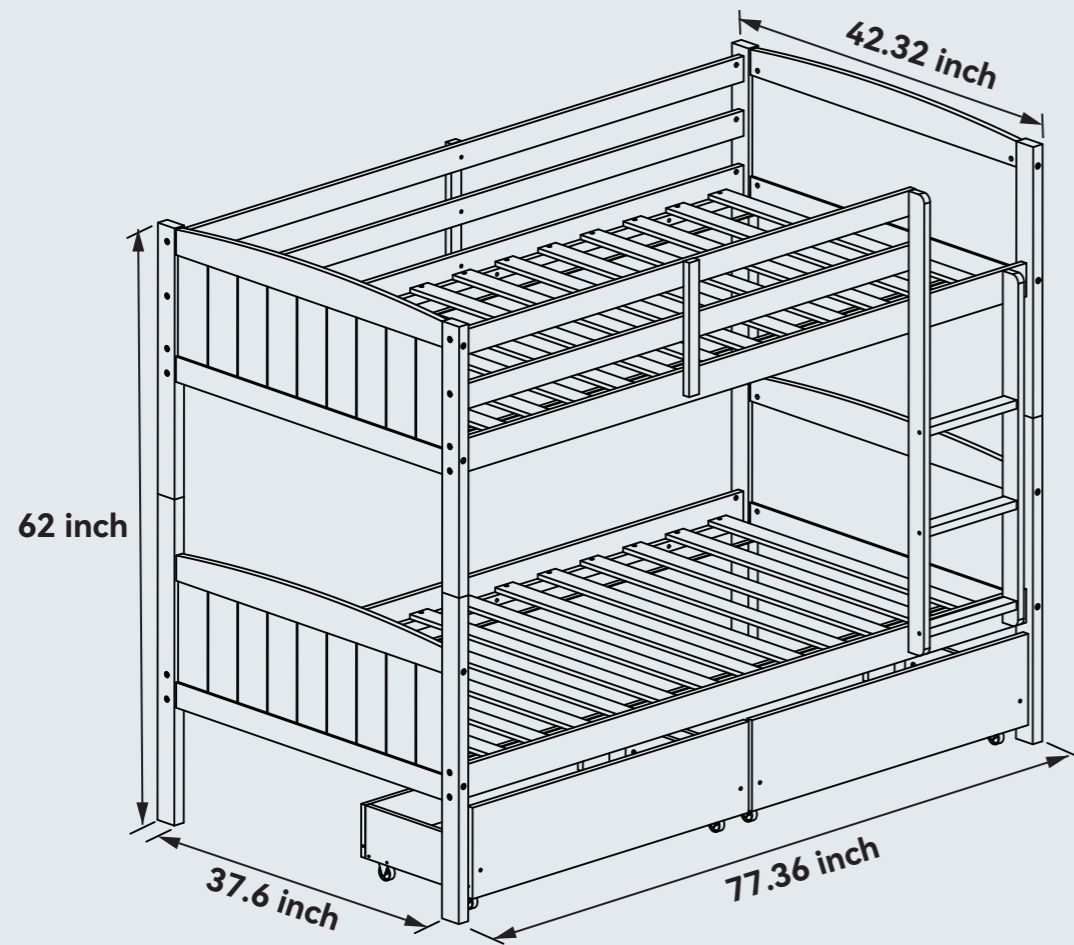
## Box 2



## Hardware List (in Box 1)



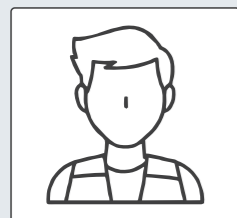
## Bunk Bed Size



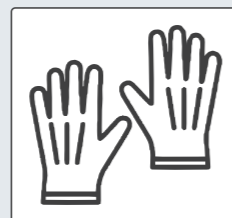
**Important:**

In each of the previous steps, tighten all screws to approximately 70% to stabilise the overall frame during assembly. Do not fully tighten any screws until the final step is completed.

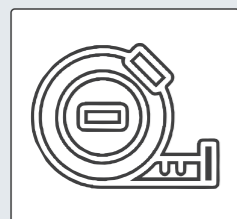
## Tools & Equipment



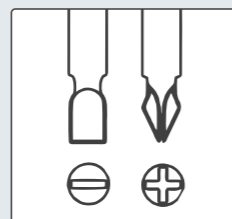
2 people needed



Work gloves

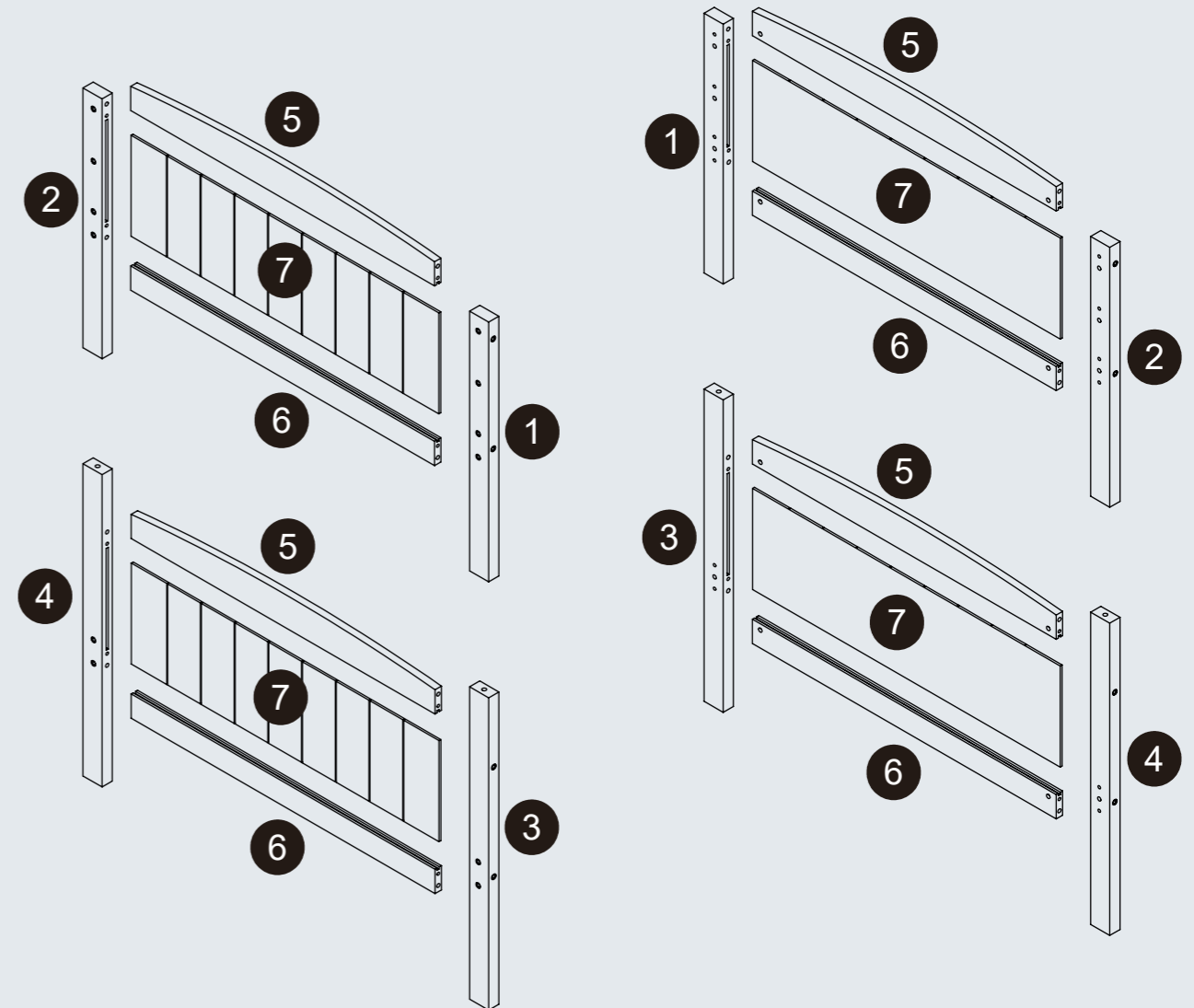


Tape measure



Other Tools Required  
Phillips Screwdriver  
(Not Included)

## Headboard and Footboard Section Installation



The headboard section assembly requires 20 labeled panels as shown in the diagram. Please locate all of them and prepare them for use.

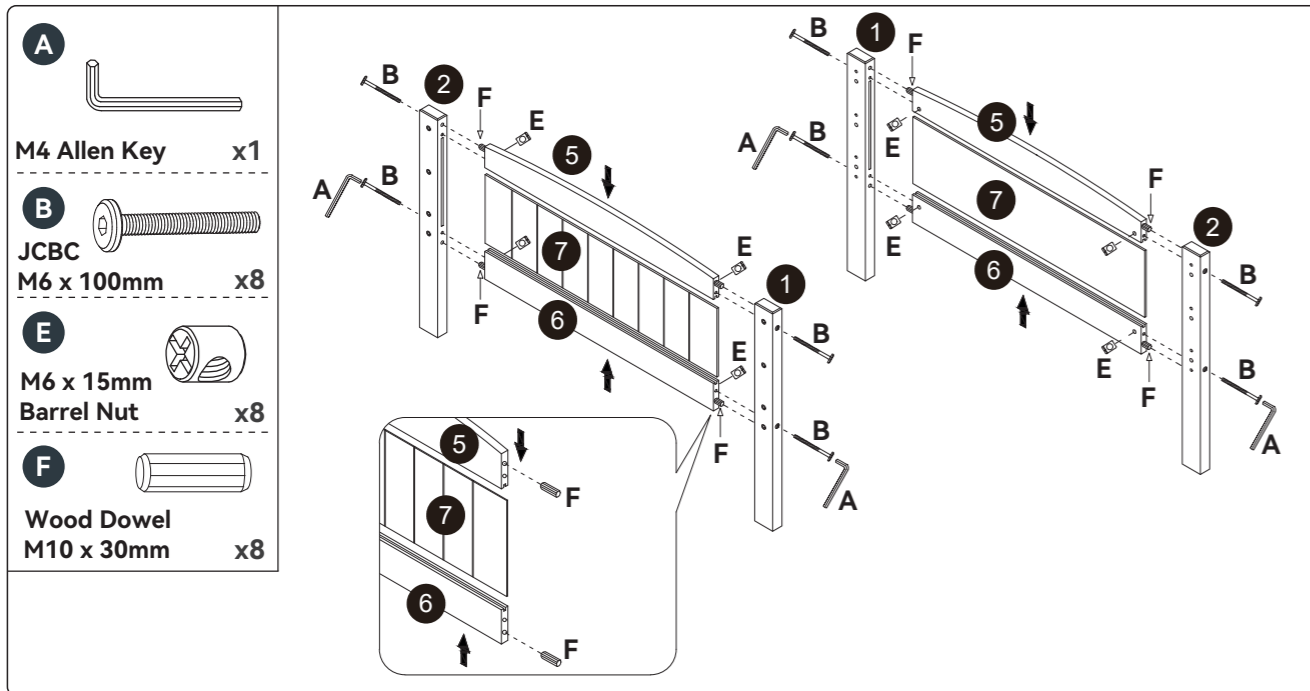
### Hardware Accessory List

<b>B</b>		JCBC M6 x 100mm <b>x16</b>
<b>E</b>		M6 x 15mm Barrel Nut <b>x16</b>
<b>F</b>		Wood Dowel M10 x 30mm <b>x16</b>

**Note:**

Ensure all hardware components are accounted for before beginning assembly. Missing or damaged hardware should be reported to customer service for replacement.

## Step 1 Headboard and Footboard Section (Upper Bunk)

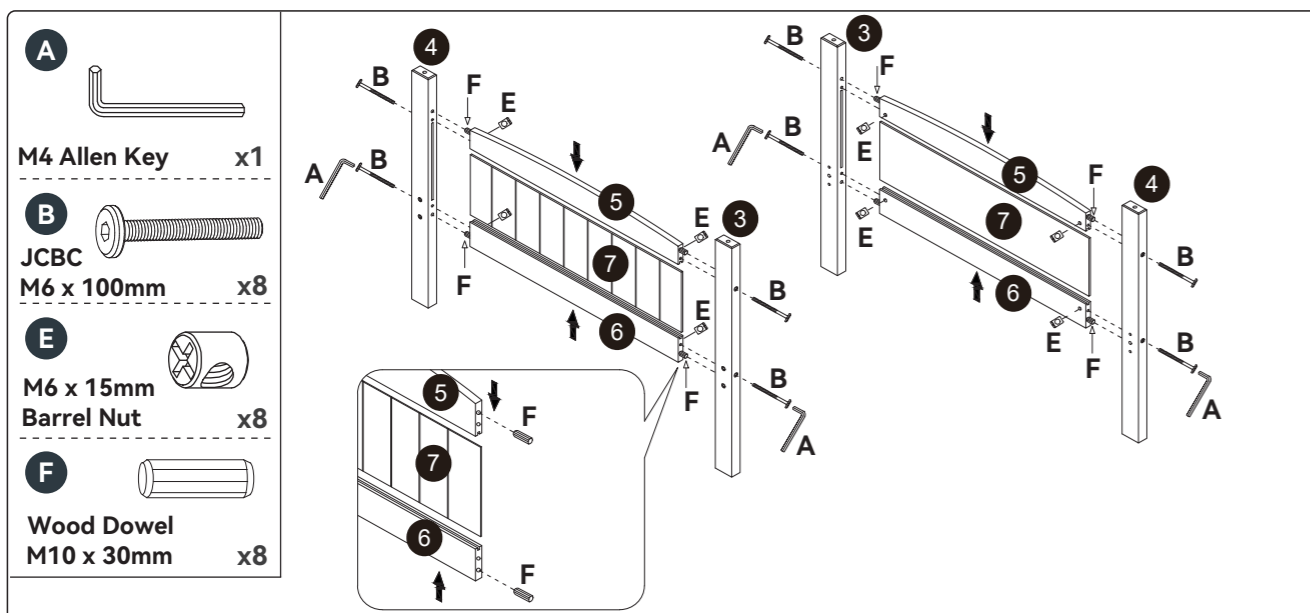


- Attach Headboard Panels 5, 6 and 7 to Posts 1 and 2.

### Note:

- Ensure all bolts are inserted before fully tightening them. Pay attention to the orientation of holes on Posts 1 and 2.

## Step 2 Headboard and Footboard Section (Lower Bunk)



- Attach Footboard Panels 5, 6 and 7 to Posts 3 and 4.

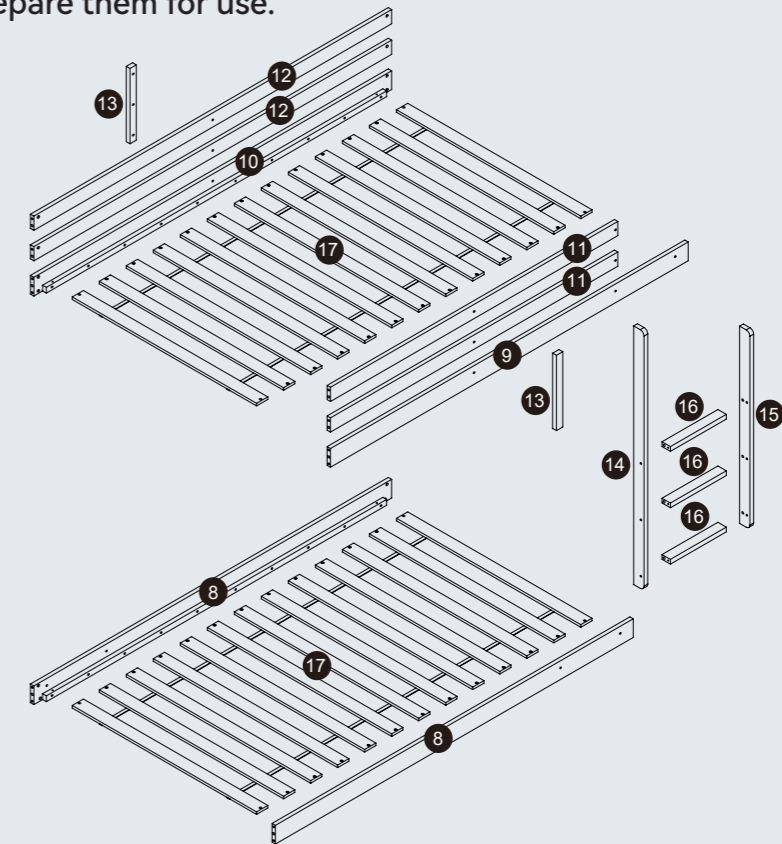
### Note:

- Ensure all bolts are inserted before fully tightening them. Pay attention to the orientation of holes on Posts 3 and 4.

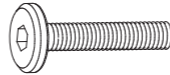

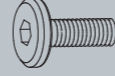
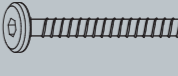

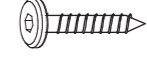
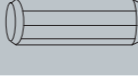
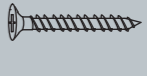


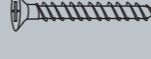

## Frame Parts Section Installation



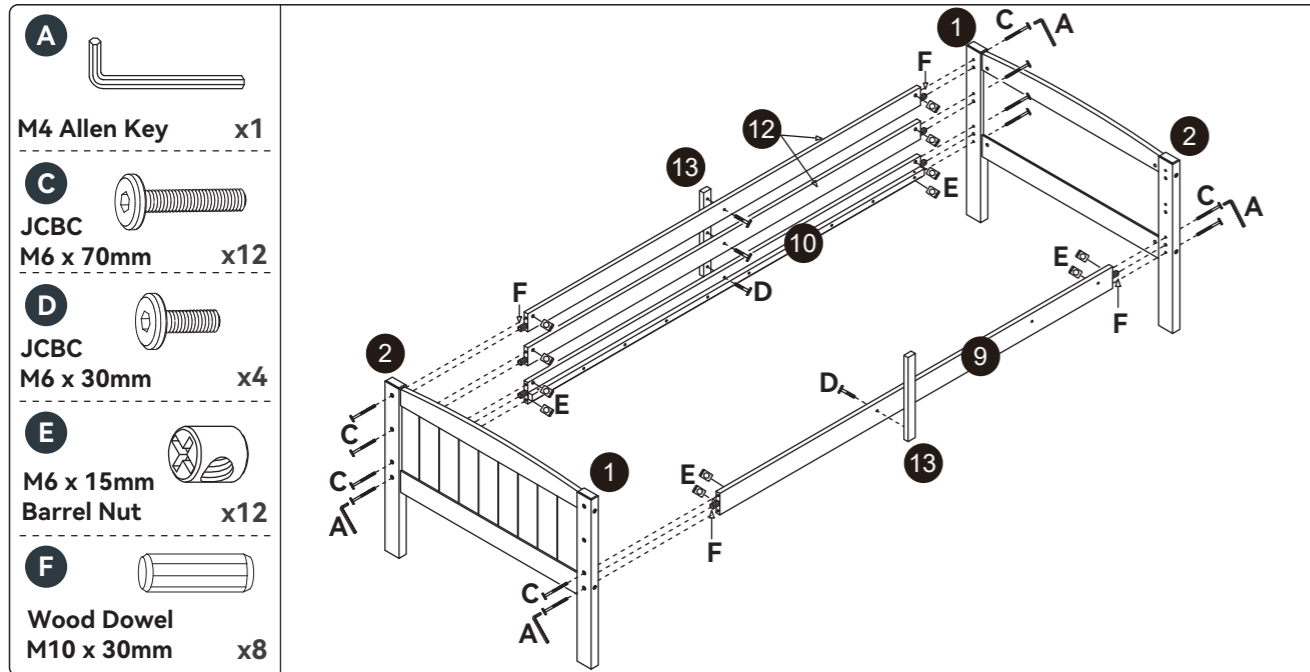
The Frame Parts section assembly requires a total of 17 labeled panels shown in the diagram. Please locate all of them and prepare them for use.



### Hardware Accessory List

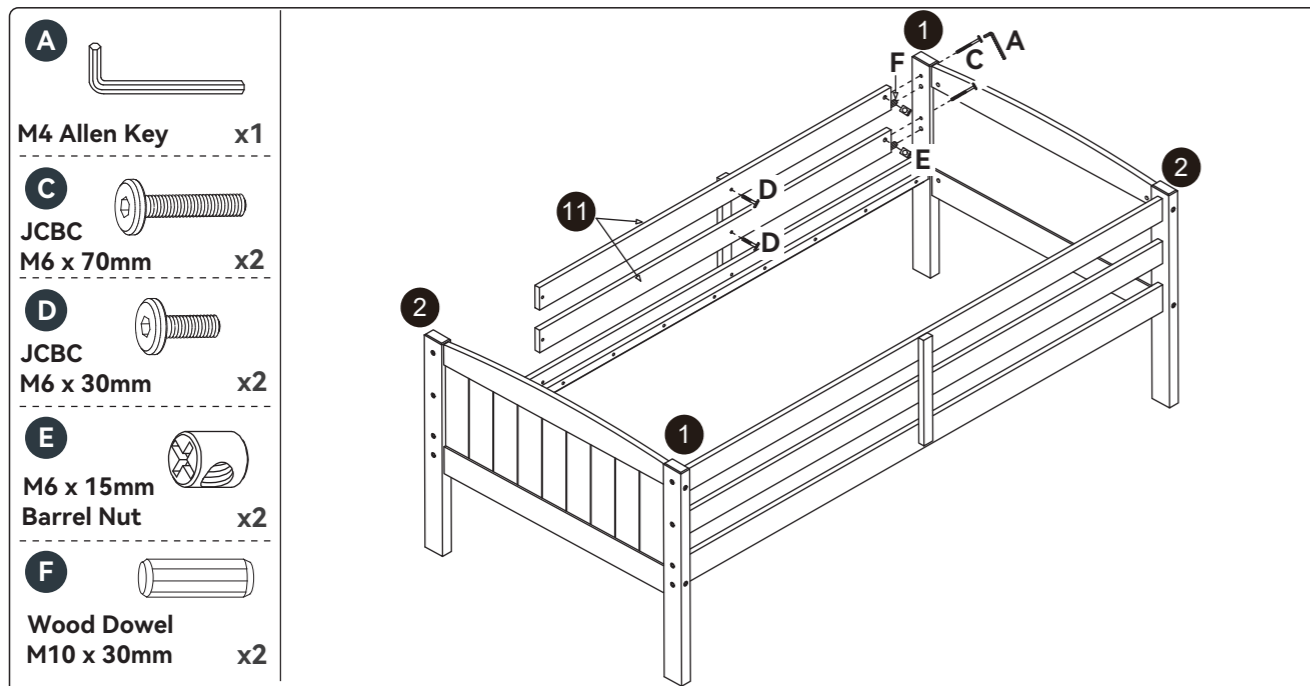
<b>C</b>		JCBC M6 x 70mm x22	<b>I</b>		Metal Pin M10 x 100mm x4
<b>D</b>		JCBC M6 x 30mm x6	<b>J</b>		JCBC-W M6 x 50mm x12
<b>E</b>		M6 X 15mm Barrel Nut x22	<b>K</b>		JCBC-W M6 x 30mm x8
<b>F</b>		Wood Dowel M10 x 30mm x20	<b>L</b>		CSK SCrew M4 x 25mm x44
<b>G</b>		Storage Stopper 18 x 35 x 90mm x2	<b>M</b>		Sticker Cap x6
<b>H</b>		CSK Screw M4 x 32mm x4	<b>N</b>		Wooden Button 11.5mm x4

### Step 3 Frame Parts Section (Upper Bunk)



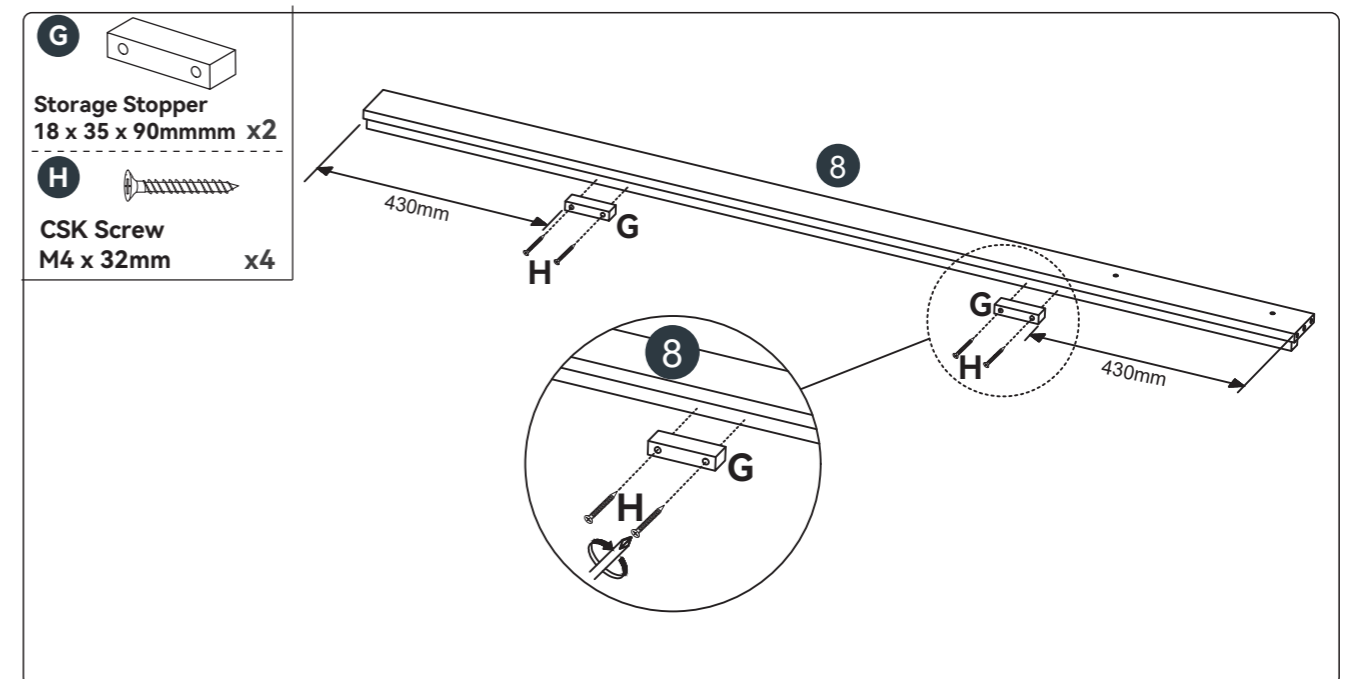
- Assemble the Headboard and Footboard with the Side Rails 9 and 10.
- Assemble the Back Guard Rails 12 and Guard Rail Spindle 13.

### Step 4 Frame Parts Section (Upper Bunk)



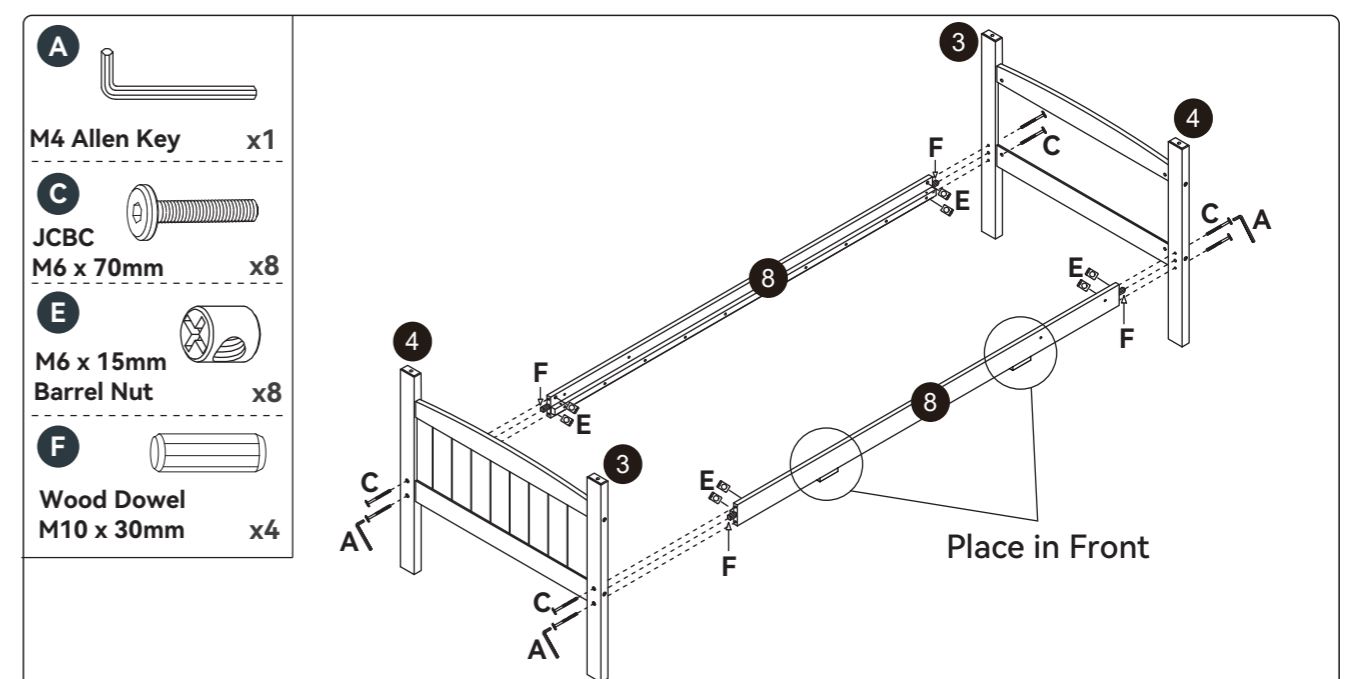
- Assemble the Front Guard Rails 11.

### Step 5 Frame Parts Section (Lower Bunk)



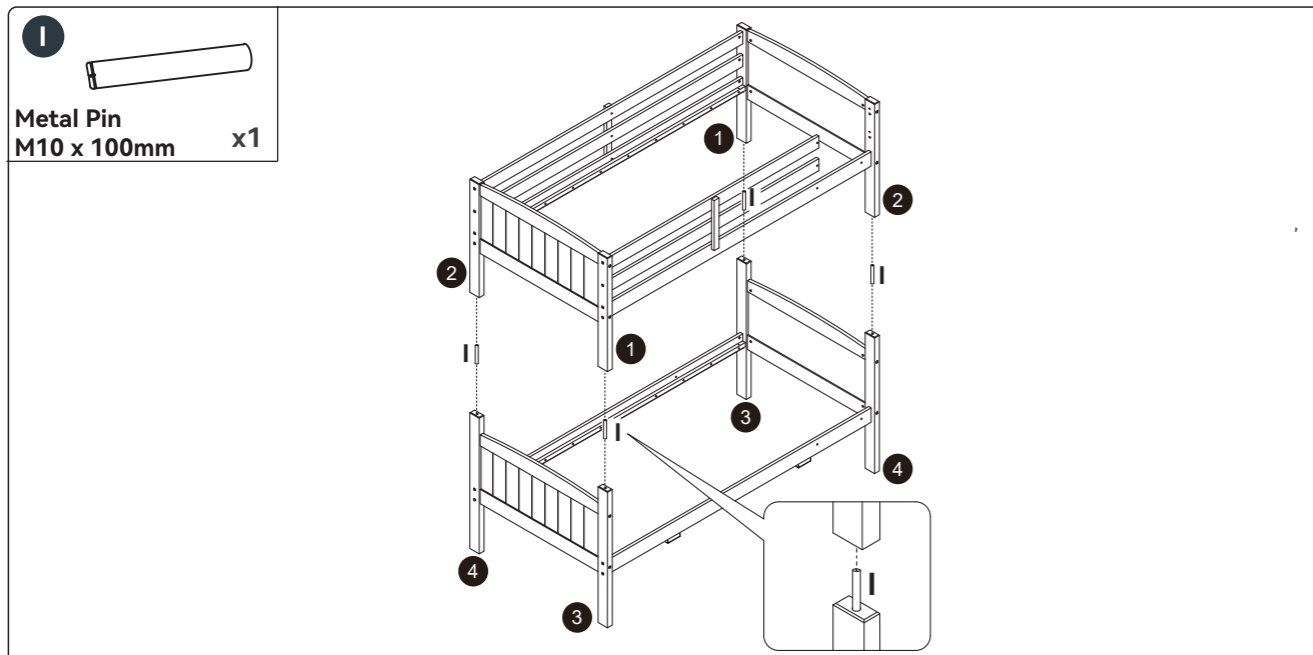
- Attach two Storage Stoppers G to the same side of the Side Rails 8.

### Step 6 Frame Parts Section (Lower Bunk)



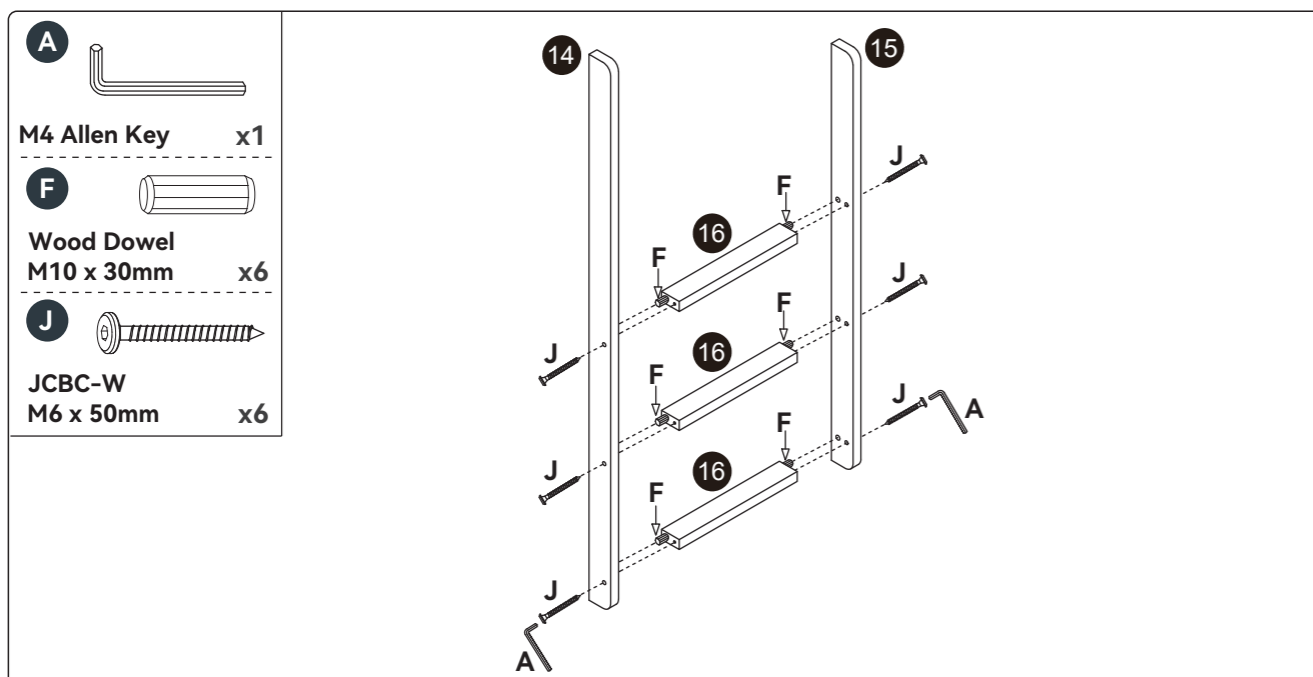
- Assemble the Headboard and Footboard with the Side Rails 8.
- Place the Side Rails 8 with Storage Stopper to the Front.

## Step 7 Frame Parts Section (Upper and Lower Bunk)



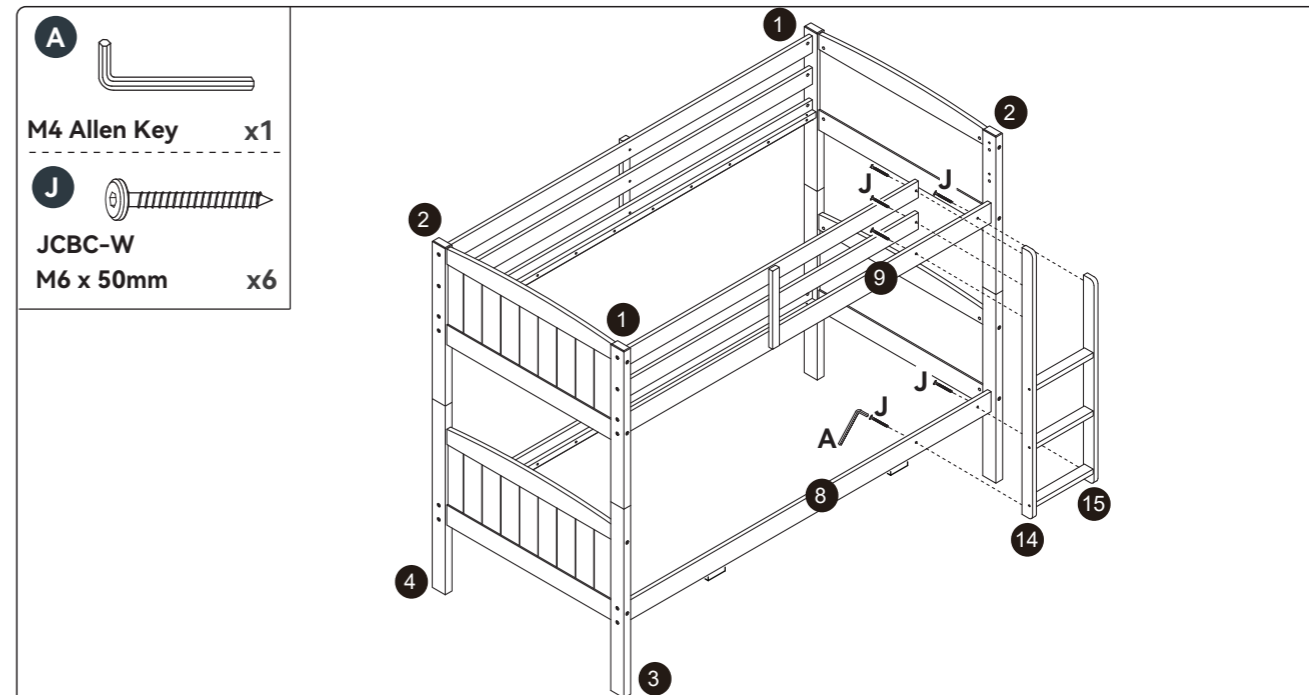
- Join the Upper Bunk and Lower Bunk.

## Step 8 Frame Parts Section (Ladder)



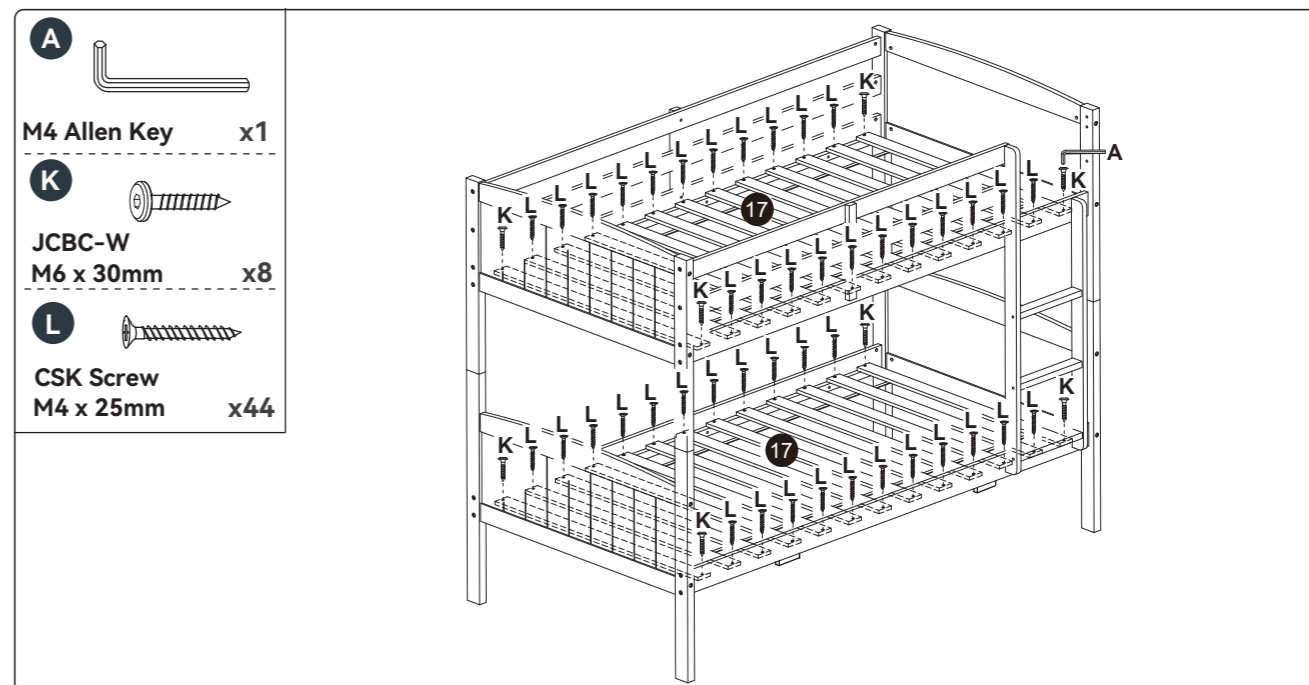
- Assemble the Ladder using parts number 14, 15 and 16.

## Step 9 Frame Parts Section



- Attach the assembled Ladder to the Front Upper Side Rail 9 and Front Lower Side Rail 8.

## Step 10 Frame Parts Section



- Assemble the Bed Slats 17 to the Upper and Lower Bunk.

## Step 11

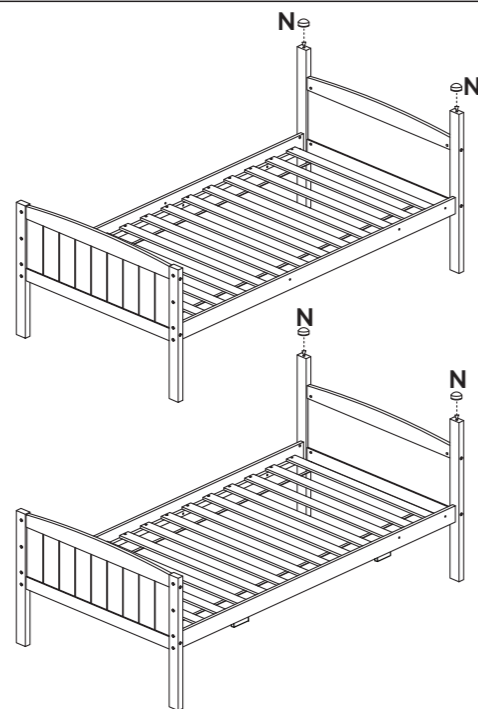
## Frame Parts Section



- Stick the Sticker Cap to the unused holes at Post 2 .

## Step 12

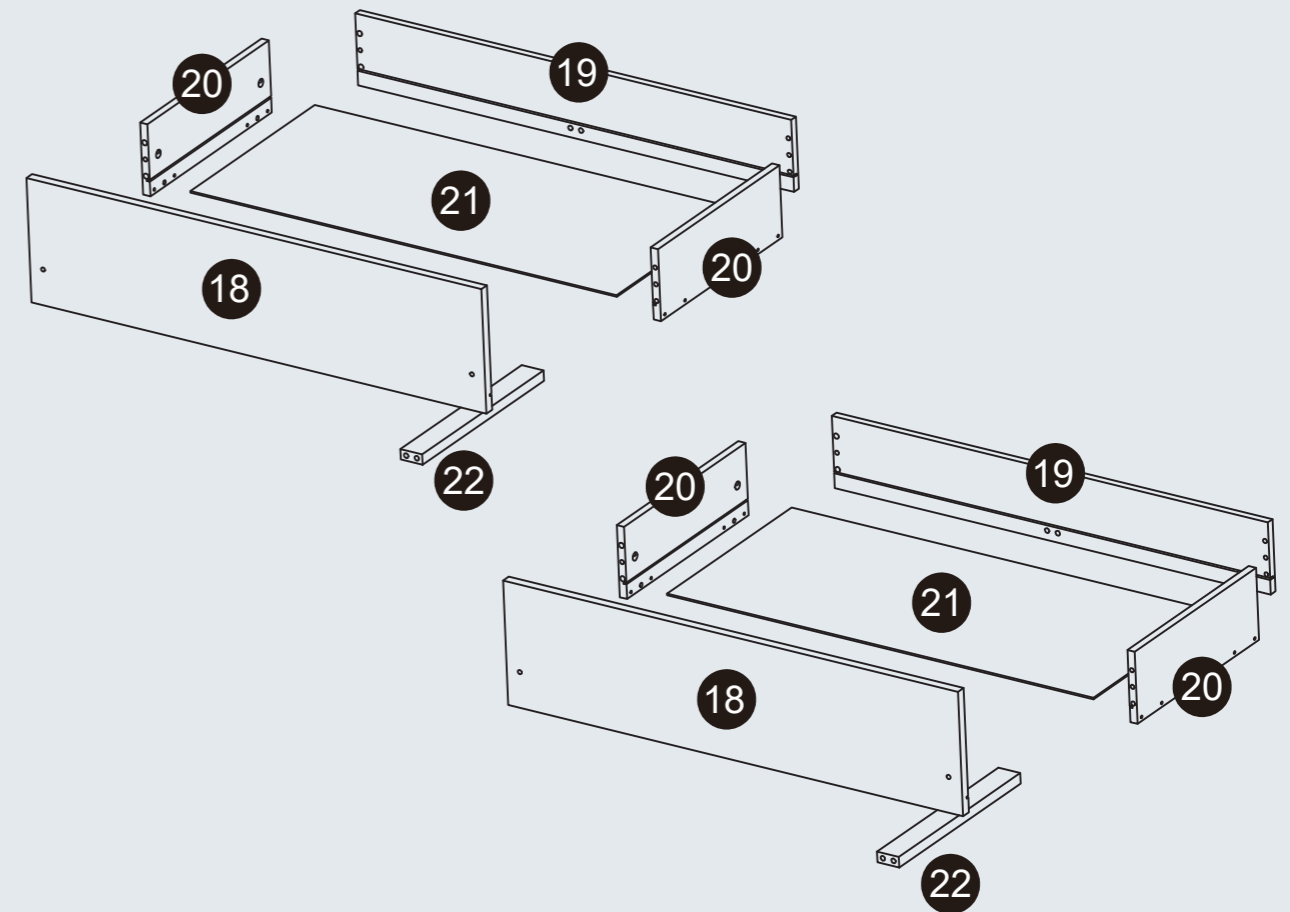
## Frame Parts Section



Fit the Wooden Button N onto the holes at the top.

- Optional use of the Bunk Bed as separate Twin Bed.

## Storage Section Installation



The headboard section assembly requires 12 labeled panels as shown in the diagram. Please locate all of them and prepare them for use.

## Hardware Accessory List

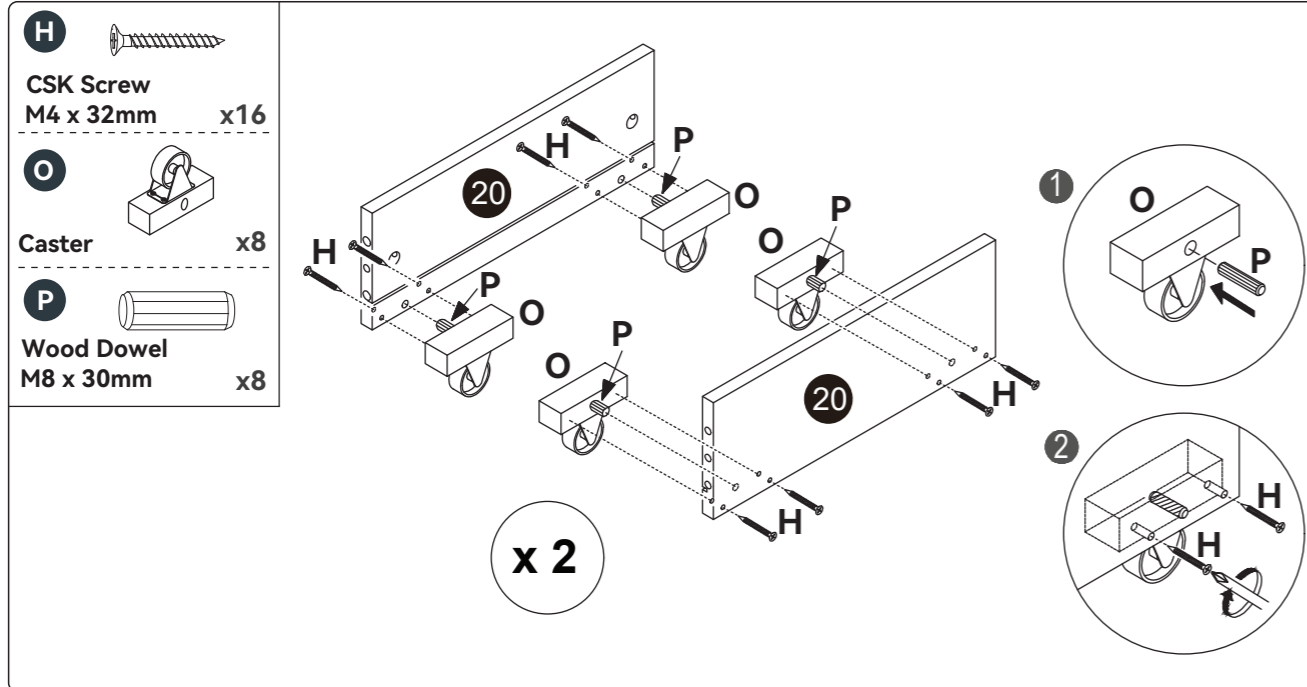
H		CSK Screw M4 x 32mm x16
O		Caster x8
P		Wood Dowel M8 x 30mm x32
Q		JCBC M6 x 60mm x8
R		M6 x 13mm Barrel Nut x8

**Note:**

Ensure all hardware components are accounted for before beginning assembly. Missing or damaged hardware should be reported to customer service for replacement.

## Step 13

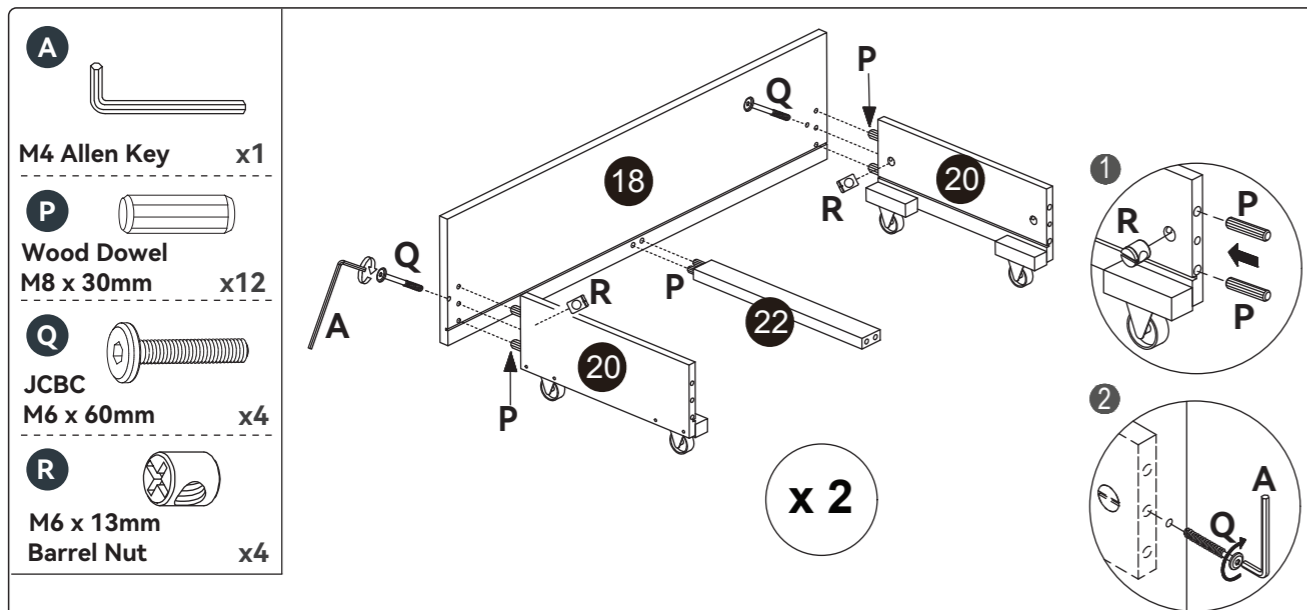
## Storage Section



- Attach the Caster **O** to the Storage Side Panel **20**.

## Step 14

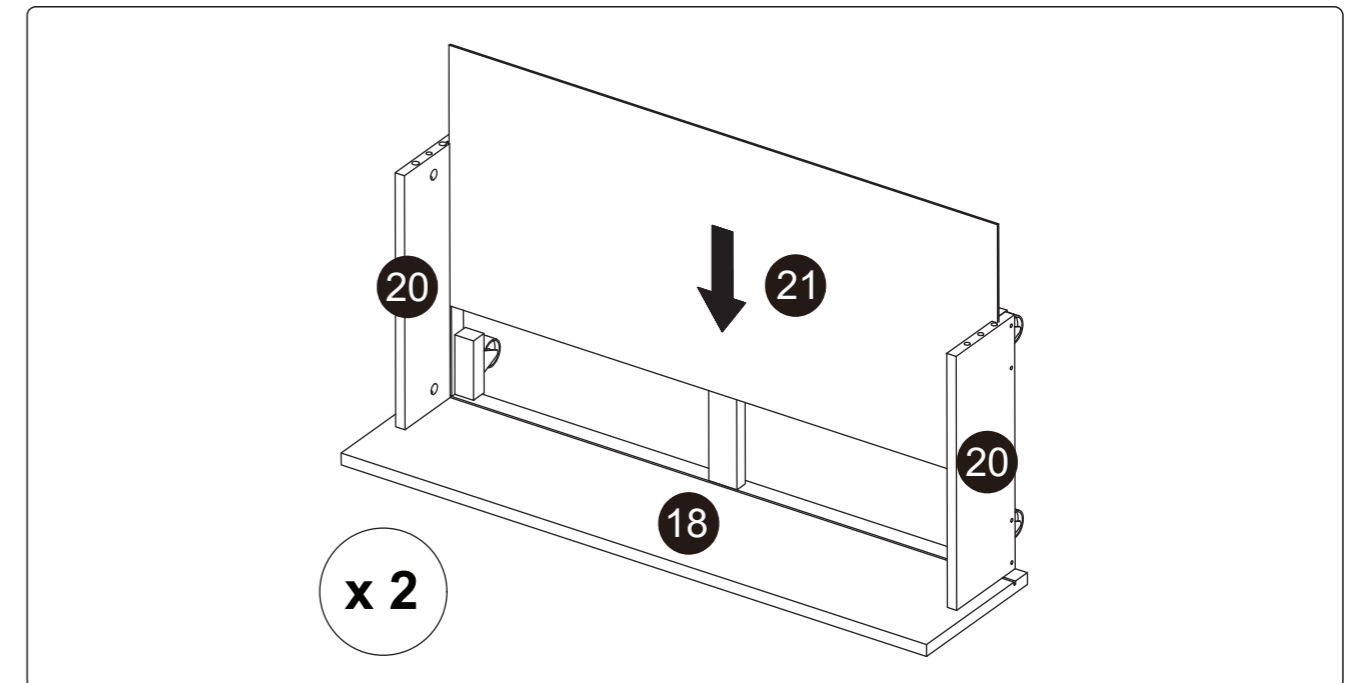
## Storage Section



- Attach the Storage Front Panel **18** to the Storage Side Panel **20** and Storage Bottom Support **22**.

## Step 15

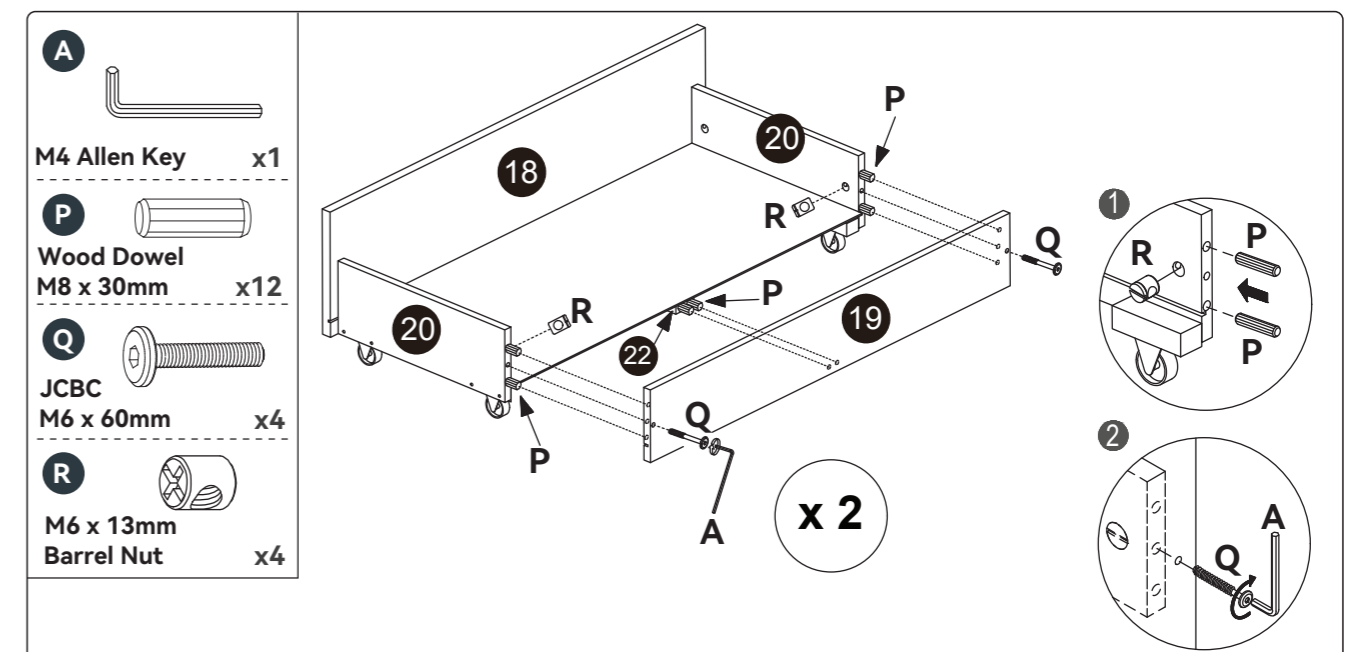
## Storage Section



- Slot in the Storage Bottom Panel **21**.

## Step 16

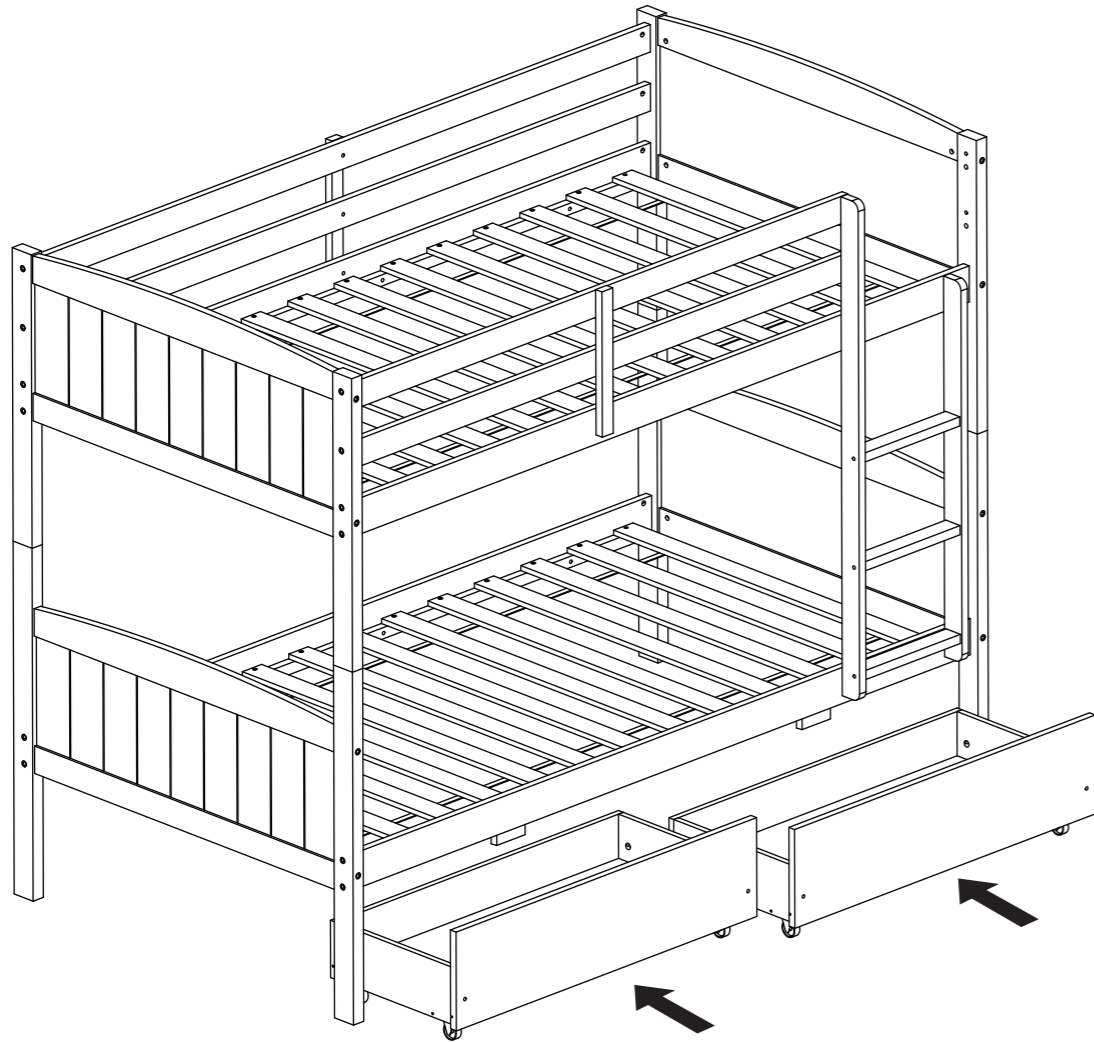
## Storage Section



- Attach the Storage Back Panel **19** to the Storage Side Panel **20** and Storage Bottom Support **22**.

## Step 17

## Storage Section



- Place the Storage under the Bunk Bed to complete the assembly!