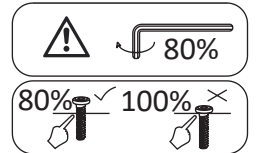
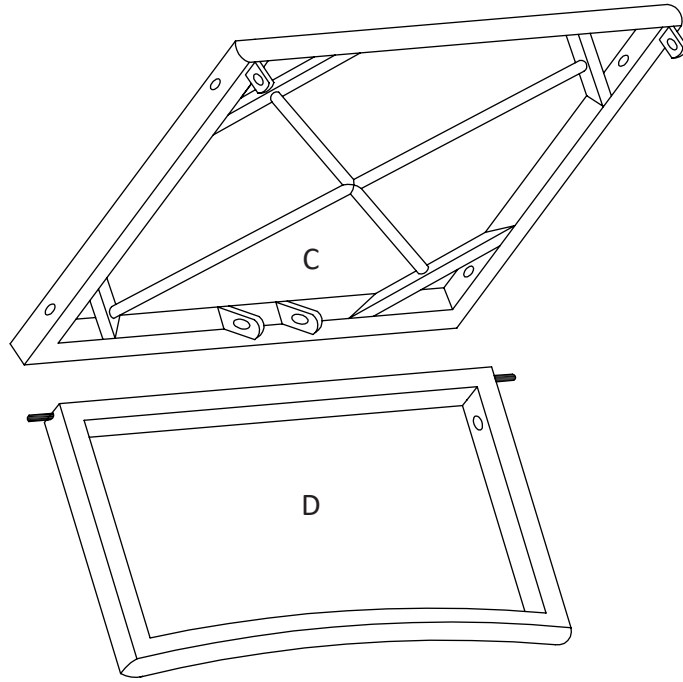
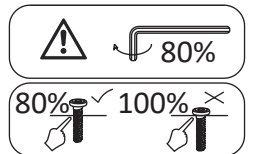
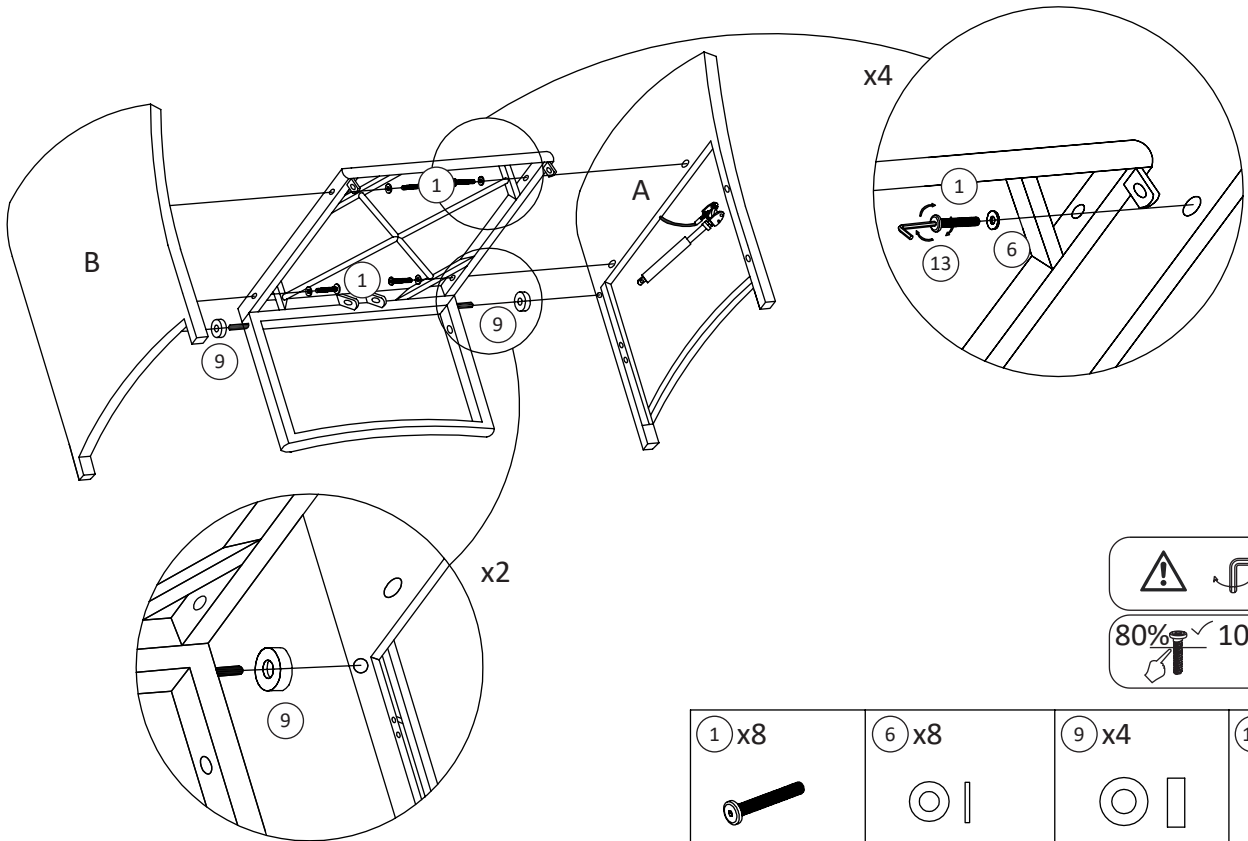





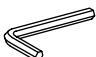
<p>Ax2</p>	<p>Bx2</p>	<p>Cx2</p>	<p>Dx2</p>	<p>Ex2</p>	<p>Fx2</p>	<p>G1x2</p>
<p>G2x2</p>	<p>G3x2</p>	<p>Hx2</p>	<p>Ix2</p>	<p>Kx4</p>	<p>① x8</p> <p>M6x$\frac{40}{1.6}$</p>	<p>② x8</p> <p>M6x$\frac{35}{1.4}$</p>
<p>③ x24</p> <p>M6x$\frac{15}{0.6}$</p>	<p>④ x4</p> <p>M8x$\frac{40}{1.6}$</p>	<p>⑤ x4</p> <p>M8x$\frac{25}{1.0}$</p>	<p>⑥ x24</p> <p>M6x$\frac{16x1}{0.6x0.04}$</p>	<p>⑦ x8</p> <p>M8</p>	<p>⑧ x8</p> <p>M8x$\frac{18x2}{0.7x0.08}$</p>	
<p>⑨ x8</p> <p>M8x$\frac{18x4}{0.7x0.2}$</p>	<p>⑩ x4</p> <p>M6</p>	<p>⑪ x1</p> <p>M13</p>	<p>⑫ x1</p> <p>M10</p>	<p>⑬ x2</p> <p>M4</p>	<p>⑭ x4</p>	

1x2

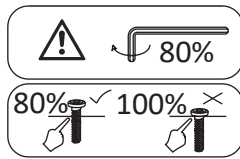
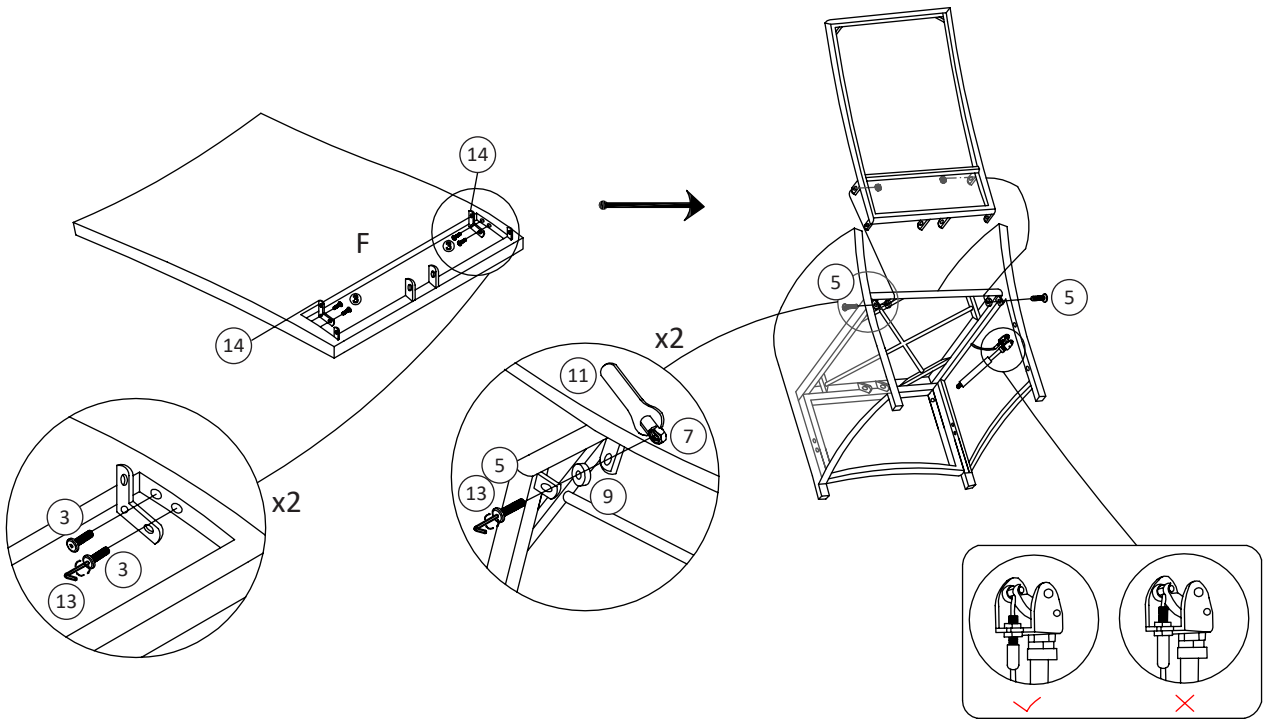


2x2



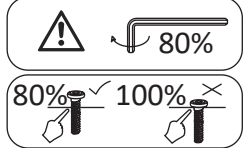
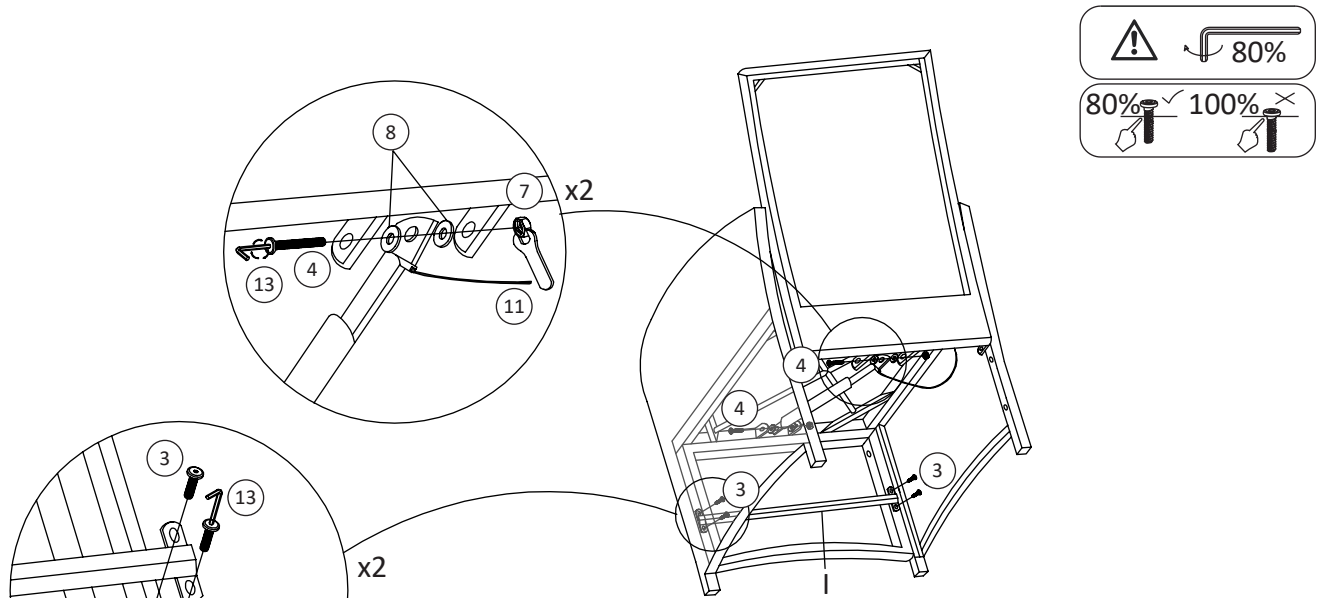
1 x8  M6x $\frac{40}{1.6}$	6 x8  M6x $\frac{16x1}{0.6x0.04}$	9 x4  M8x $\frac{18x4}{0.7x0.2}$	13  M4
---------------------------------------------------------------------------------------------------------------------	------------------------------------------------------------------------------------------------------------------------------	-----------------------------------------------------------------------------------------------------------------------------	---------------------------------------------------------------------------------------------------

3x2



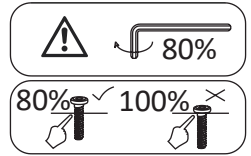
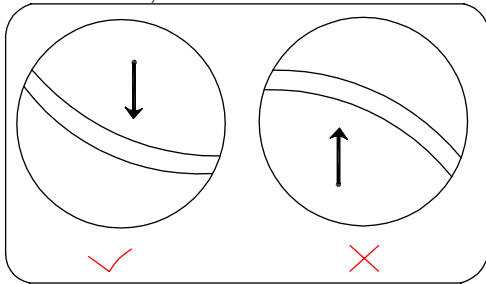
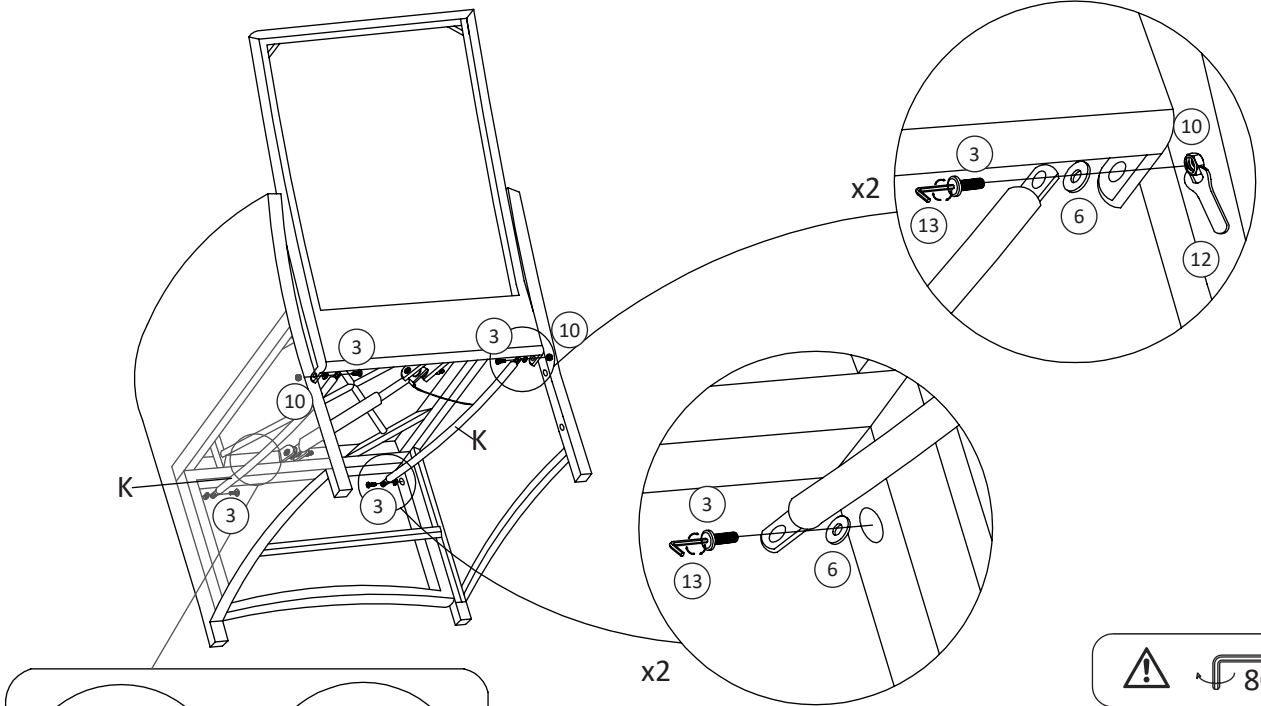
3 x8 M6x $\frac{15}{0.6}$	5 x4 M8x $\frac{25}{1.0}$	7 x4 M8	9 x4 M8x $\frac{18x4}{0.7x0.2}$	11 M13	13 M4	14 x4
------------------------------	------------------------------	------------	------------------------------------	-----------	----------	-------






4x2



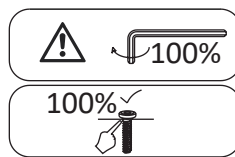
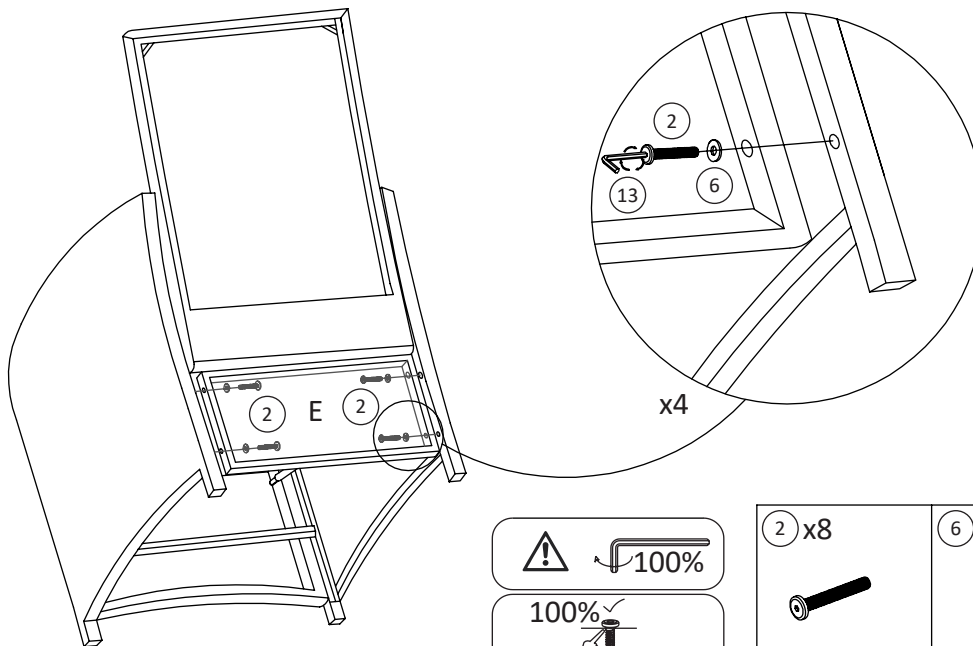
3 x8 M6x $\frac{15}{0.6}$	4 x4 M8x $\frac{40}{1.6}$	7 x4 M8	8 x8 M8x $\frac{18x2}{0.7x0.08}$	11 M13	13 M4
------------------------------	------------------------------	------------	-------------------------------------	-----------	----------



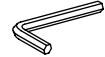
5x2



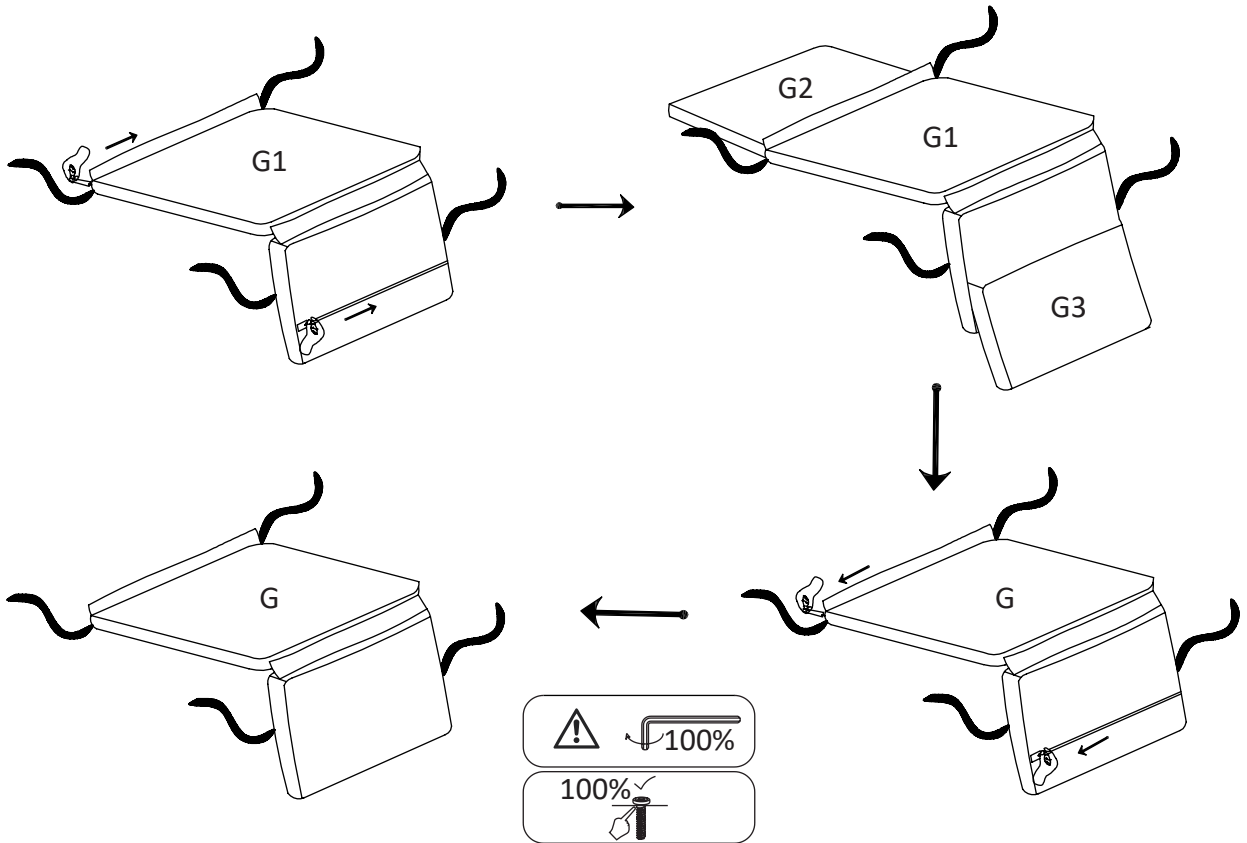
<p>3 x8</p>  <p>M6x$\frac{15}{0.6}$</p>	<p>6 x8</p>  <p>M6x$\frac{16x1}{0.6x0.04}$</p>	<p>10 x4</p>  <p>M6</p>	<p>12</p>  <p>M10</p>	<p>13</p>  <p>M4</p>
---------------------------------------------------------------------------------------------------------------------------------------	----------------------------------------------------------------------------------------------------------------------------------------------	--------------------------------------------------------------------------------------------------------------	------------------------------------------------------------------------------------------------------------	-----------------------------------------------------------------------------------------------------------

6x2

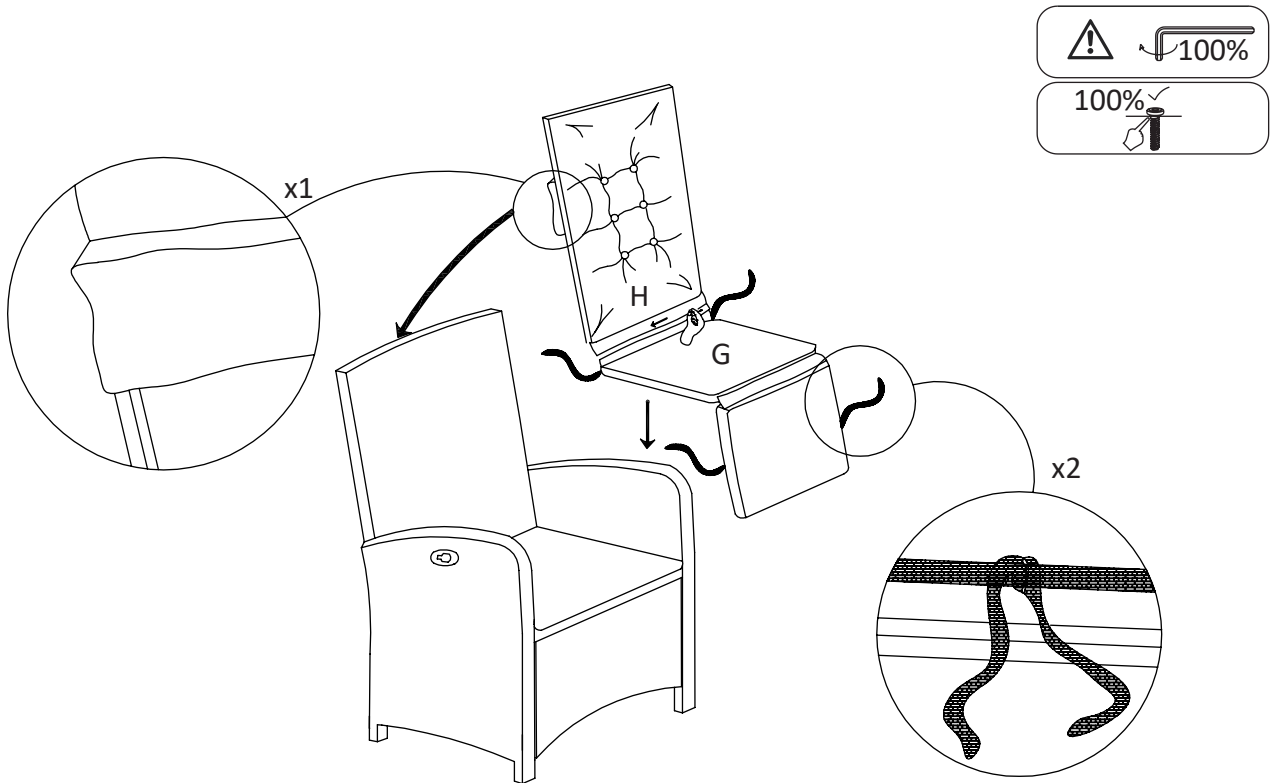


<p>2 x8</p>  <p>M6x$\frac{35}{1.4}$</p>	<p>6 x8</p>  <p>M6x$\frac{16x1}{0.6x0.04}$</p>	<p>13</p>  <p>M4</p>
-----------------------------------------------------------------------------------------------------------------------------------------	------------------------------------------------------------------------------------------------------------------------------------------------	-----------------------------------------------------------------------------------------------------------

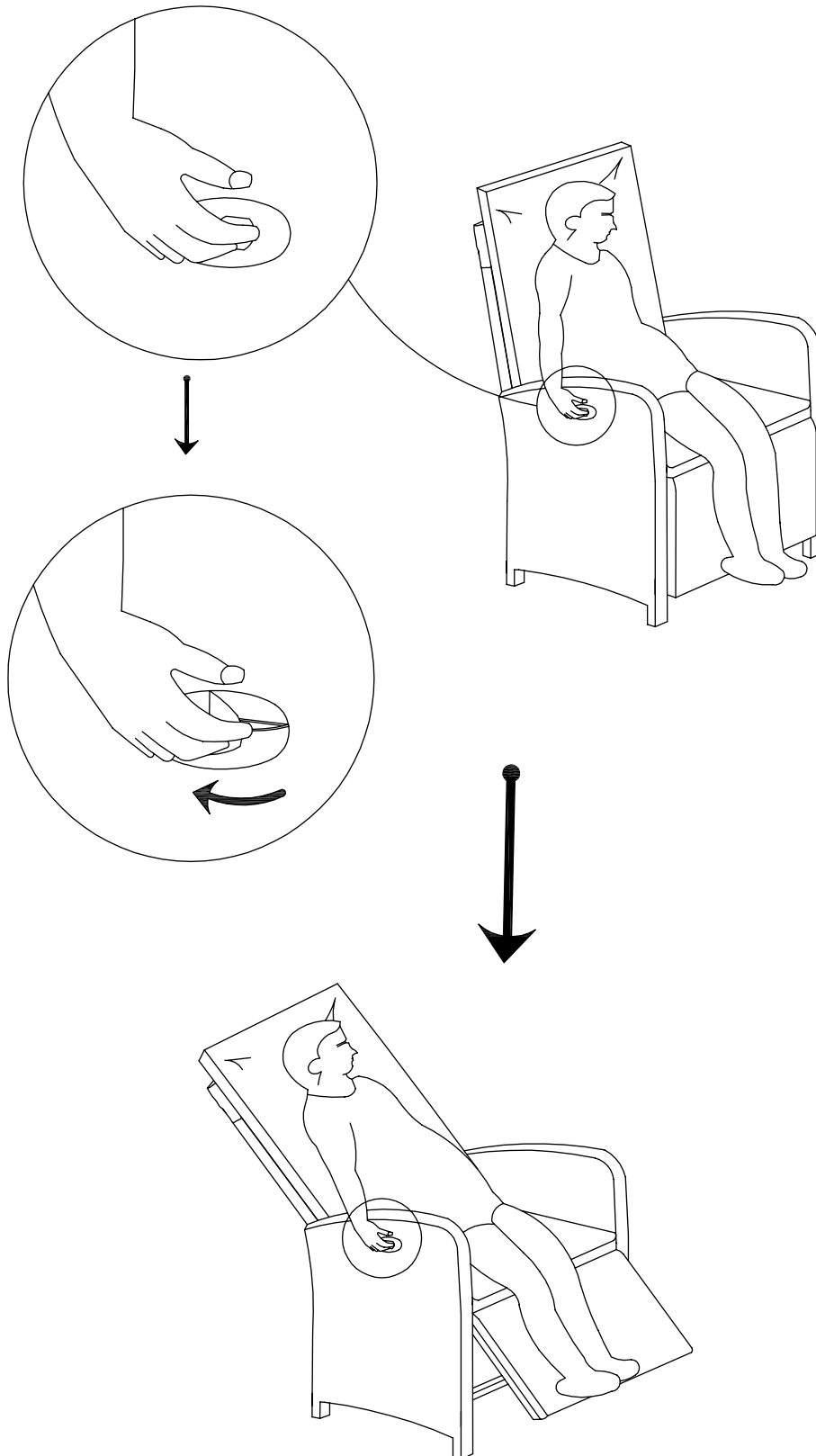
7x2



8x2



9x2



⚠️ 100%
100% ✓
🔧