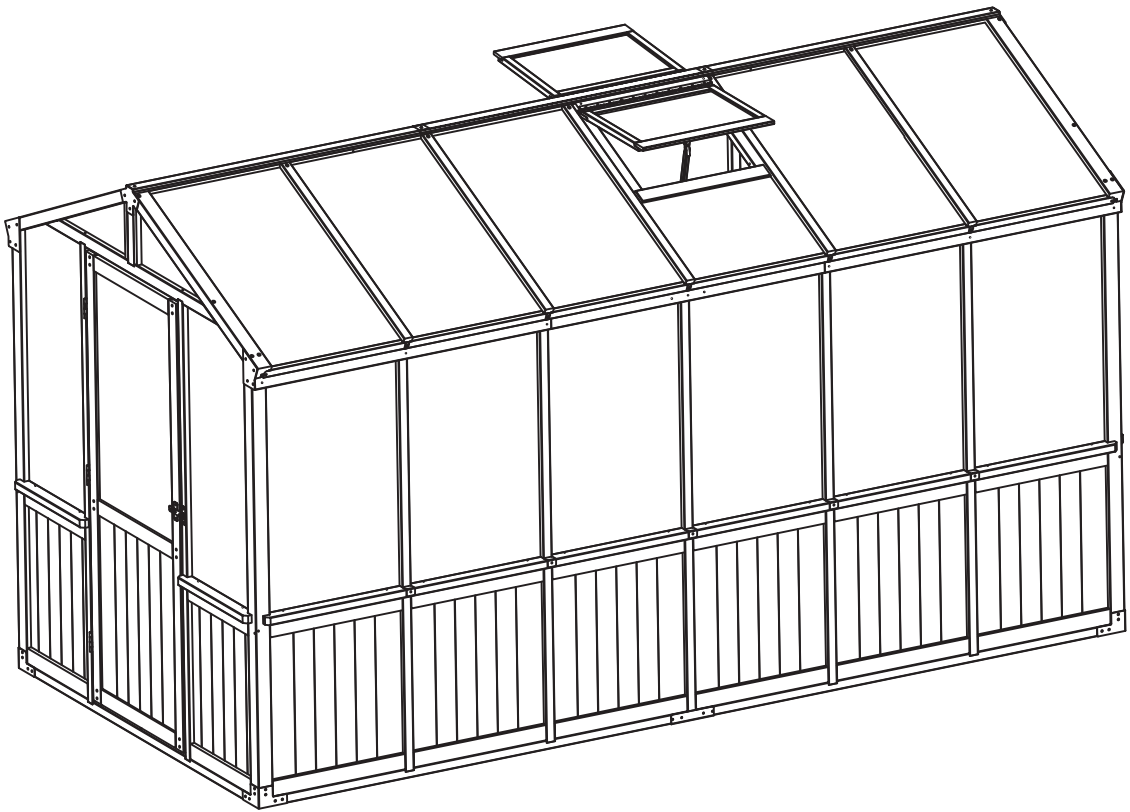


MANUAL INSTRUCTION

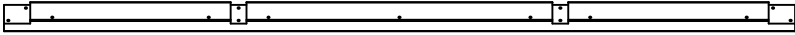

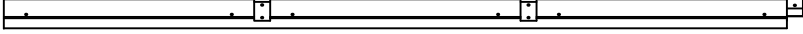

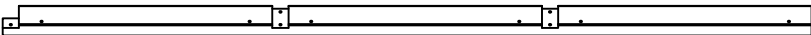









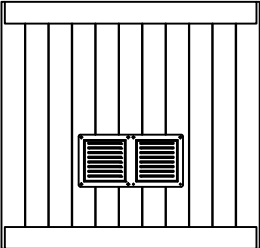

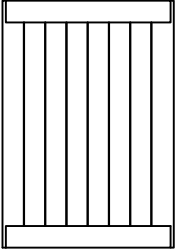

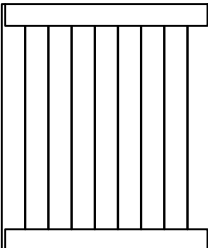

Wooden Greenhouse

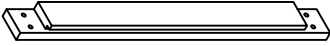

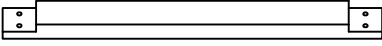



















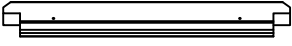













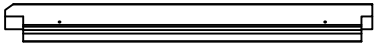

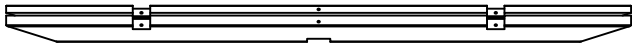

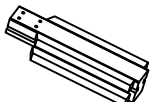
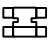
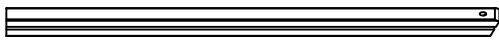

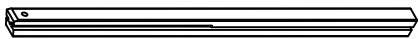



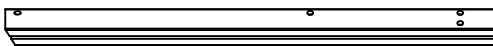

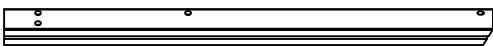

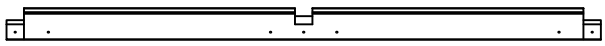

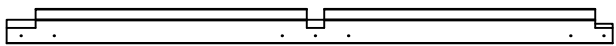

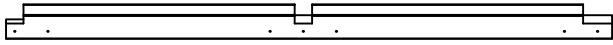



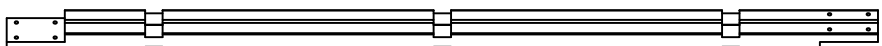

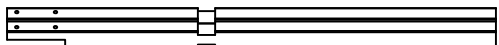
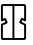
Wooden Greenhouse

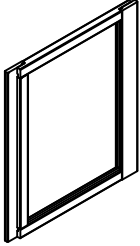





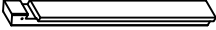

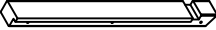

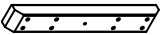







We offer a diverse range of products
to meet the needs of customers.


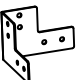









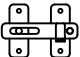
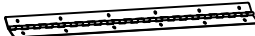
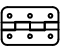





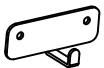


Reach us at
✉ service@kmcglobe-us.com
☎ (only us)+1 213-816-4788

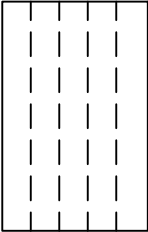
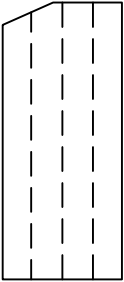
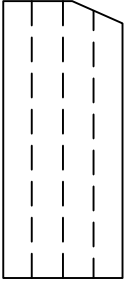
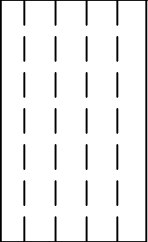
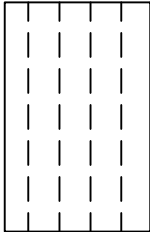
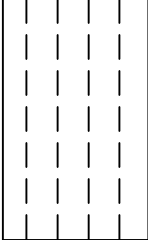
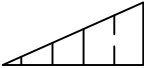
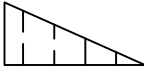
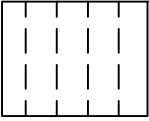
LABEL	QTY	REFERENCE IMAGE		
01A	2	 <p data-bbox="1098 353 1206 376">60*36*1800</p>		
01L	2	 <p data-bbox="1098 488 1206 510">60*36*1788</p>		
01R	2	 <p data-bbox="1098 633 1206 656">60*36*1788</p>		
02A	10	 <p data-bbox="1098 745 1225 768">60*36*1704.4</p>		
02B	2	 <p data-bbox="1098 880 1206 902">60*36*1800</p>		
02L	2	 <p data-bbox="1098 1014 1225 1037">60*60*1704.4</p>		
02R	2	 <p data-bbox="1098 1149 1225 1171">60*60*1704.4</p>		
03A	1			
03B	4			
03C	13			


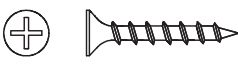
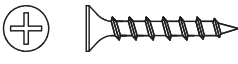





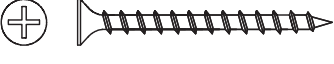



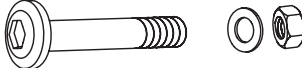

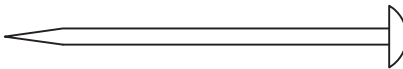



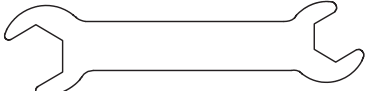
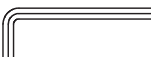
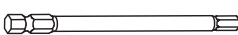
LABEL	QTY	REFERENCE IMAGE	
04A	2	 60*36*680	
04B	1	 60*36*680	
04C	2		
04L	1	 60*36*1757	
04R	1	 60*36*1757	
05A	24	 30*10*558	
05B	4	 30*10*454	
05C	1	 30*10*695	
05D	12	 44*18*558	
05E	4	 44*18*454	
05F	1	 44*18*694	
06A	2	 60*30*514	
06B	8	 60*30*595	
06C	1	 60*30*503	
06D	1	 60*30*503	
06E	1	 60*30*731	
06L	2	 60*30*607	

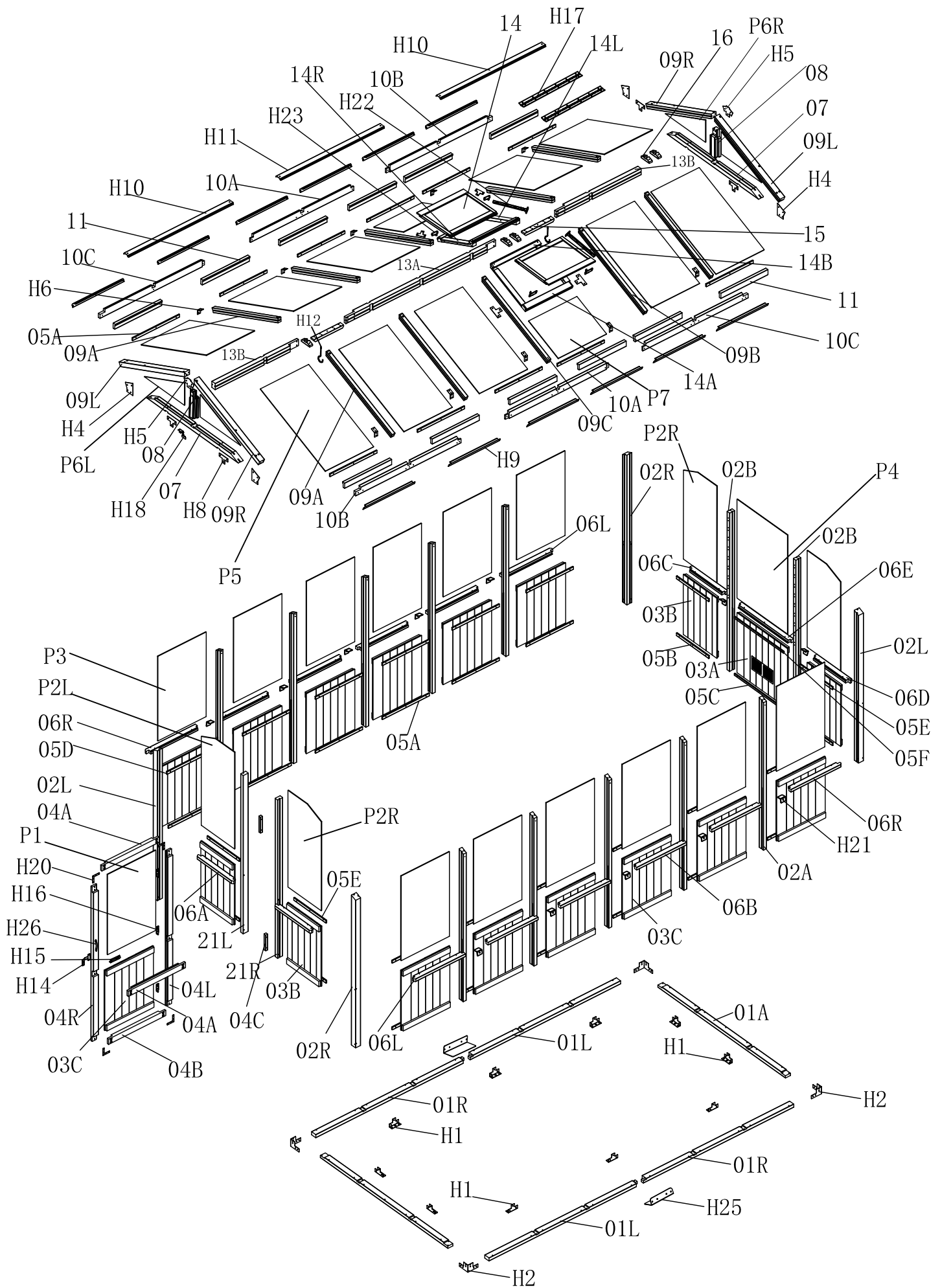
LABEL	QTY	REFERENCE IMAGE	
06R	2	 <p data-bbox="1117 336 1212 358">60*30*607</p>	
07	2		
08	2		
09A	6	 <p data-bbox="1117 739 1244 761">48*36*1018.6</p>	
09B	2	 <p data-bbox="1117 873 1244 896">48*36*1018.6</p>	
09C	2	 <p data-bbox="1117 1003 1244 1025">48*36*1018.6</p>	
09L	2	 <p data-bbox="1117 1131 1228 1153">60*48*1010</p>	
09R	2	 <p data-bbox="1117 1265 1228 1288">60*48*1010</p>	
10A	2	 <p data-bbox="1117 1400 1228 1422">80*24*1228</p>	
10B	2	 <p data-bbox="1117 1534 1228 1556">80*24*1252</p>	
10C	2	 <p data-bbox="1117 1668 1228 1691">80*24*1252</p>	
11	12	 <p data-bbox="1117 1803 1244 1825">60*30*20*555</p>	
13A	1	 <p data-bbox="1117 1926 1228 1948">70*48*1800</p>	
13B	2	 <p data-bbox="1117 2060 1228 2083">70*48*1010</p>	

LABEL	QTY	REFERENCE IMAGE		
14	2			
14A	2		60*36*559	
14B	2		54.2*24*559	
14L	2		50*32*490	
14R	2		50*32*490	
15	2			
16	5			
21L	1		60*36*1800	
21R	1		60*36*1800	

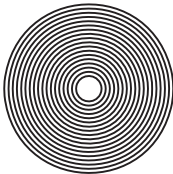
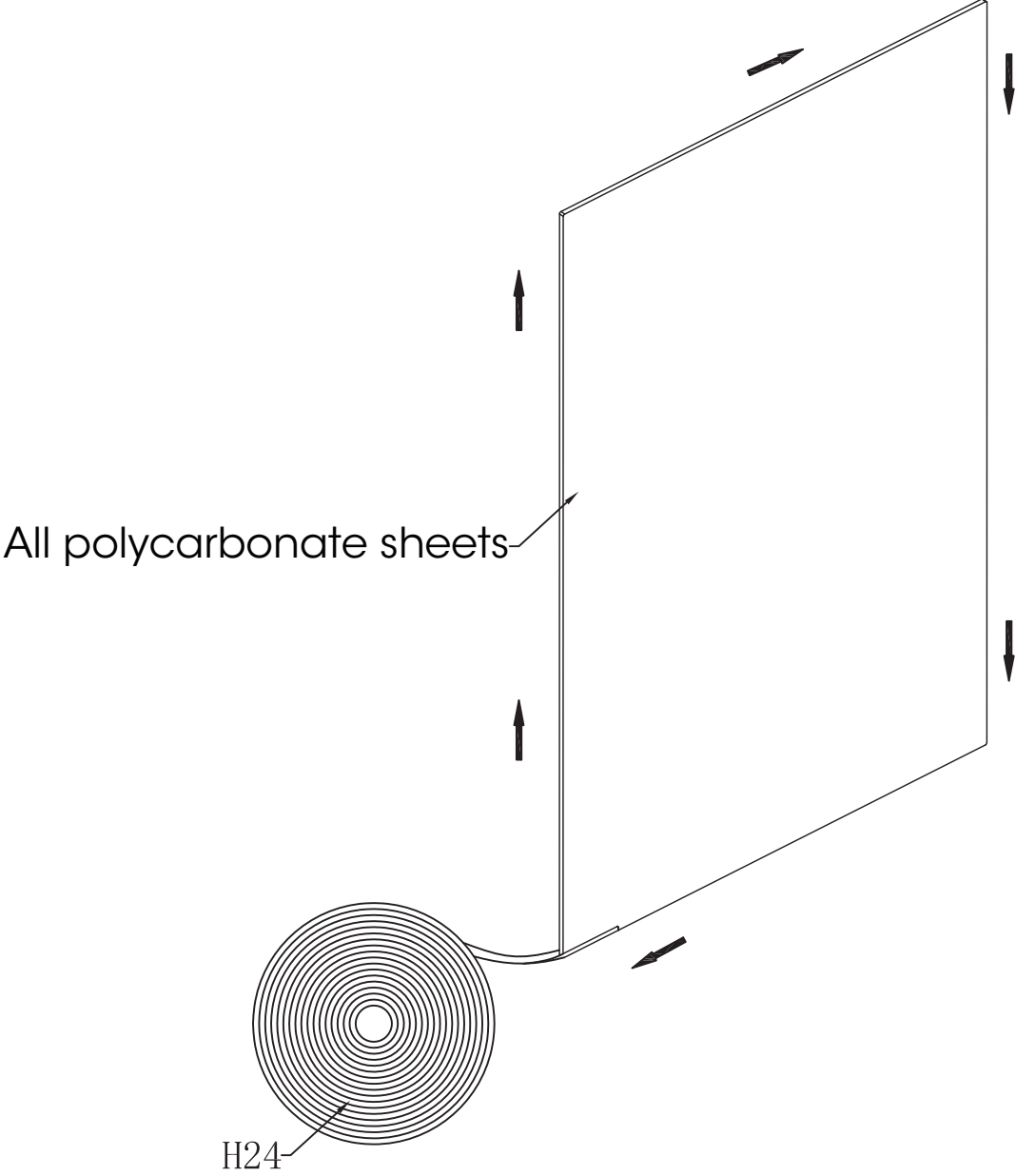
LABEL	QTY	REFERENCE IMAGE	LABEL	QTY	REFERENCE IMAGE
H1	10		H2	4	
H4	4		H5	2	
H6	10		H8	8	
H9	12		H10	2	
H11	1		H12	2	
H15	1		H14	1	
H17	2		H16	3	
H20	4		H18	1	
H22	2		H21	12	
H24	1		H23	4	
H26	1		H25	2	

LABEL	QTY	REFERENCE IMAGE	LABEL	QTY	REFERENCE IMAGE
P1	1	 <p data-bbox="411 577 582 616">(909x577)</p>	P2L	2	 <p data-bbox="1157 593 1348 631">(1098x473)</p>
P2R	2	 <p data-bbox="411 1019 603 1057">(1098x473)</p>	P3	12	 <p data-bbox="1204 1025 1375 1064">(960x577)</p>
P4	1	 <p data-bbox="402 1400 593 1438">(1098x714)</p>	P5	10	 <p data-bbox="1189 1415 1380 1453">(1002x577)</p>
P6L	2	 <p data-bbox="414 1668 587 1706">(557x248)</p>	P6R	2	 <p data-bbox="1189 1668 1364 1706">(557x248)</p>
P7	2	 <p data-bbox="406 1975 577 2013">(577x460)</p>			

LABEL	QTY	DESCRIPTION	REFERENCE IMAGE
AA-1	36+2	M3x20	
AA-2	12+2	M3x20	
AA-3	2+1	M3x18	
AA-4	4+1	M3x40	
BB-2	204+15	M4x25	
BB-3	91+7	M4x30	
BB-4	65+4	M4x40	
BB-5	120+10	M4x50	
BB-6	119+12	M4x60	
BB-9	16+2	M4x90	
00	50	M5	
DD-3	12+1	M6x35	
DD-5	8+1	M6x55	
MM-1	12+1	M6	
UU	20	∅6x200	
QQ	10	M10x80	
Y2	2	M6	
Y3	1	M6	
Y4	1	M10	
Y6	1	M6	
Y7	1	M6	



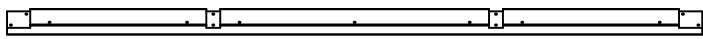
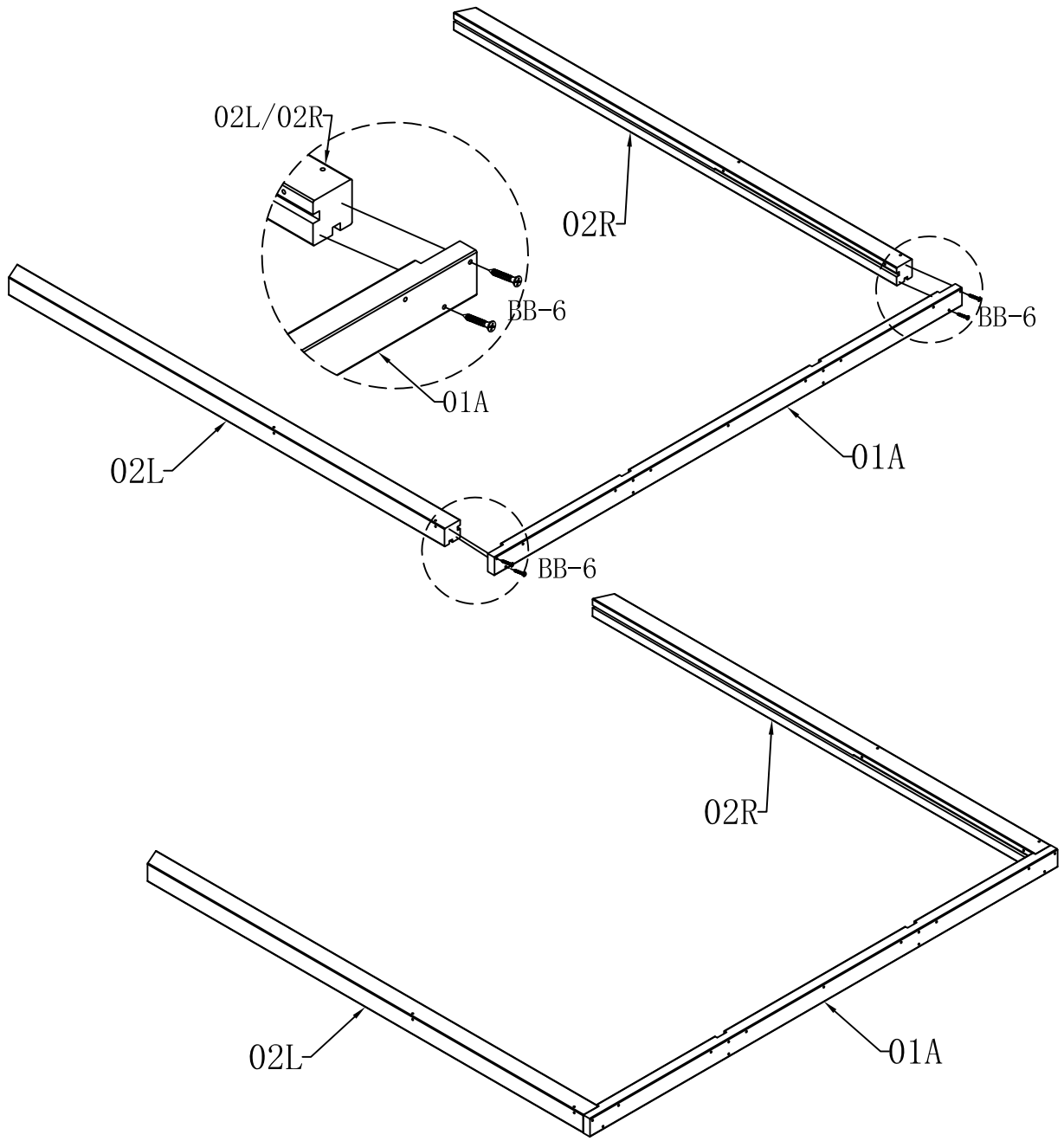
STEP. 1



H24

1X

STEP. 2



01A 1X



02L 1X

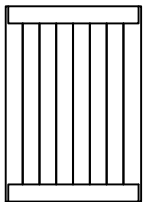
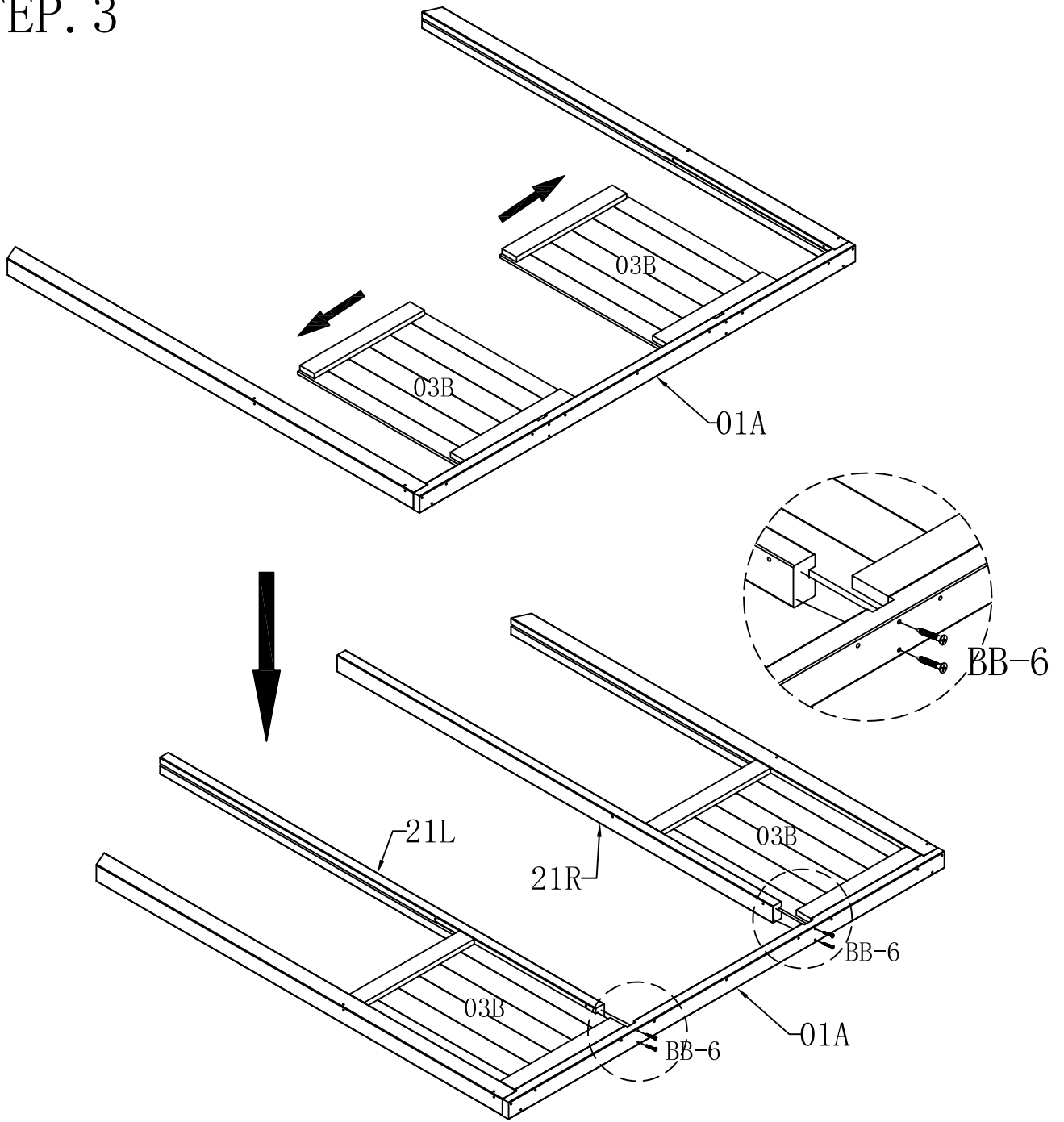


02R 1X

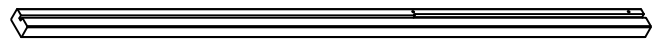


M4x60 BB-6 4X

STEP. 3



(03B) 2X



(21L) 1X

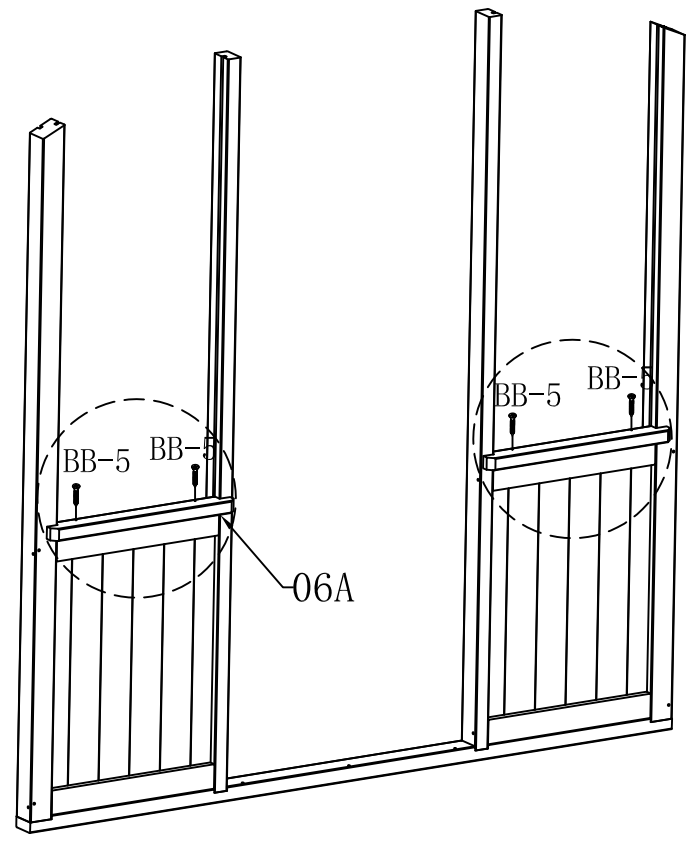
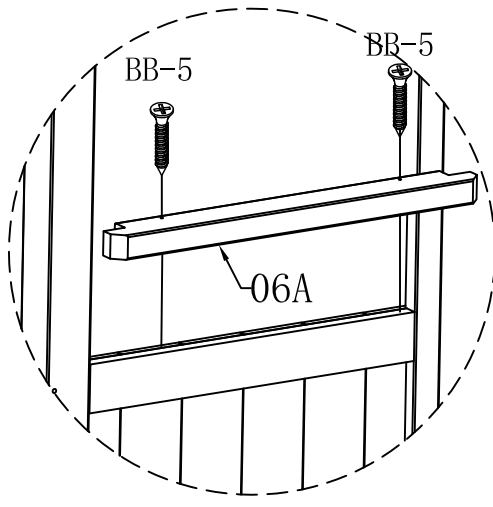
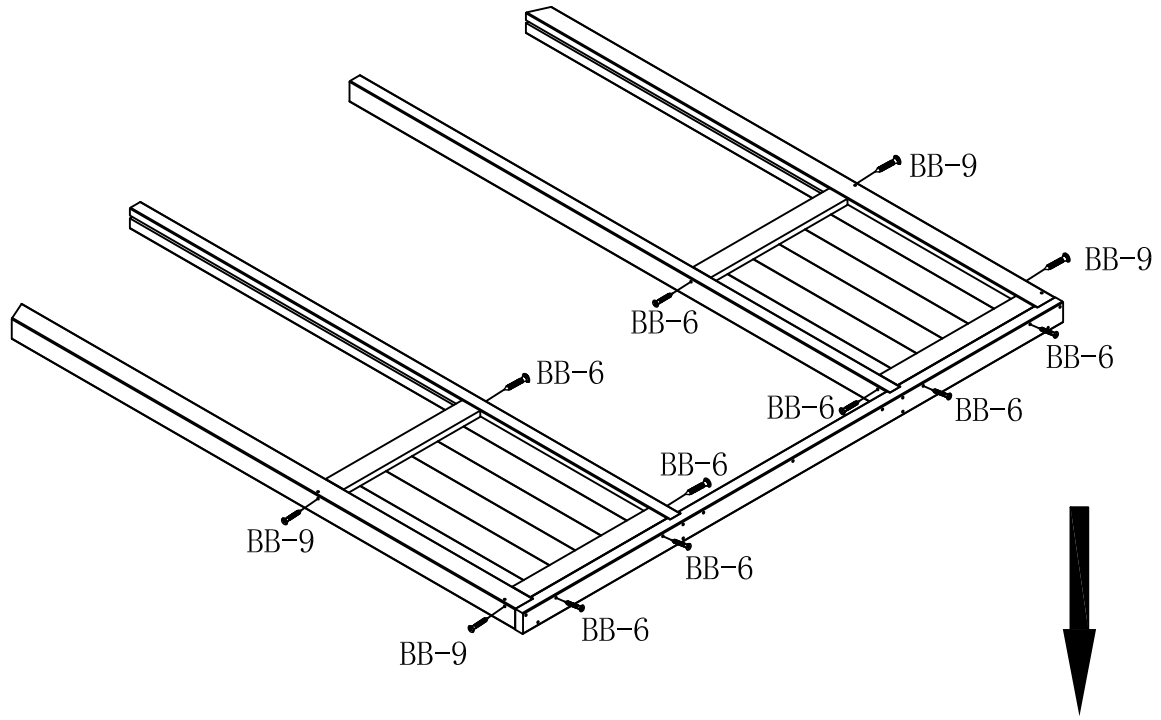


(21R) 1X

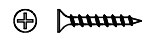


M4x60 (BB-6) 4X

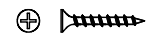
STEP. 4



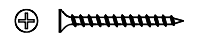
06A 2X



M4x50 BB-5 4X

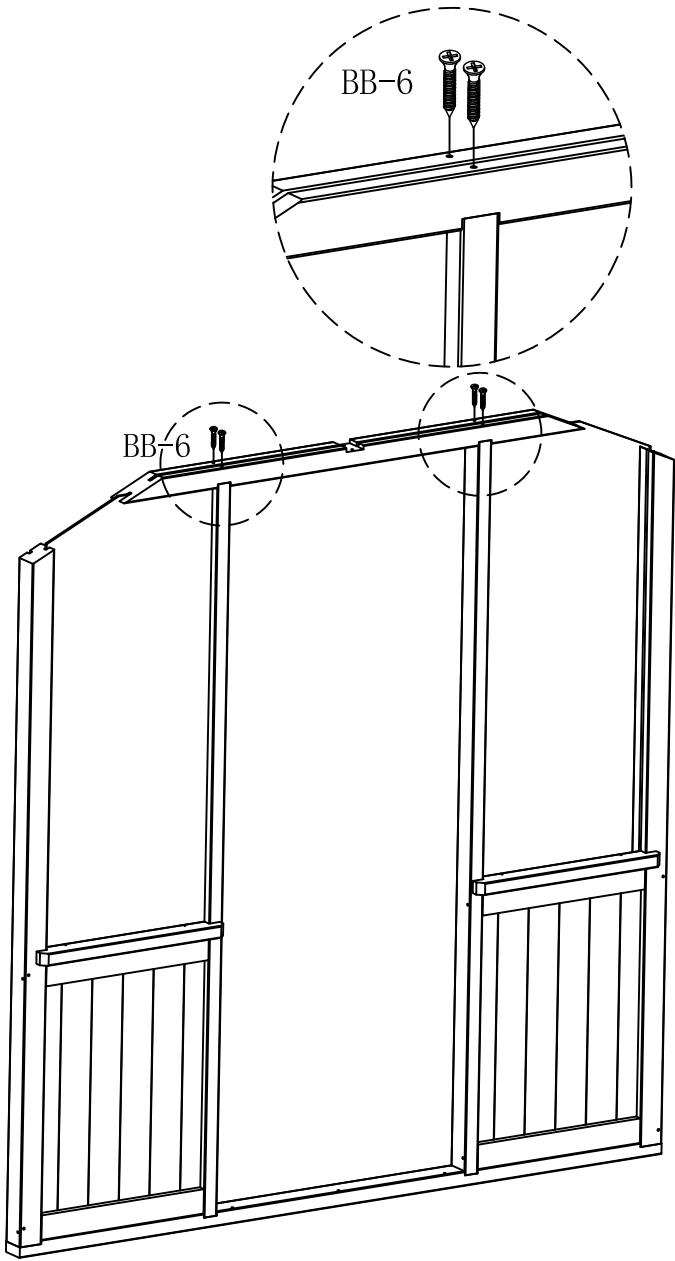


M4x60 BB-6 8X

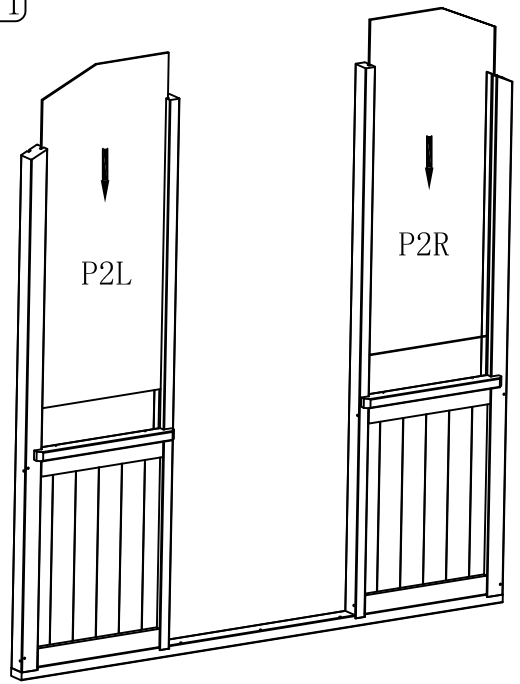


M4x90 BB-9 4X

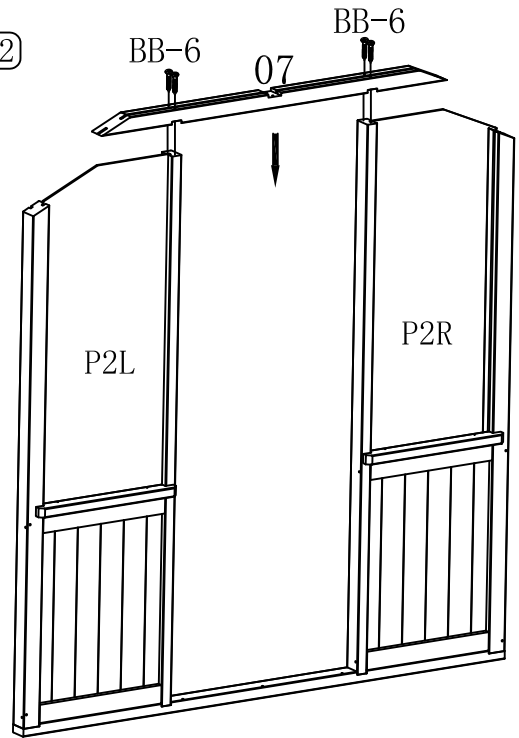
STEP. 5



STEP. 1



STEP. 2



(P2L) 1X

(1098x473)

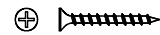


(P2R) 1X

(1098x473)

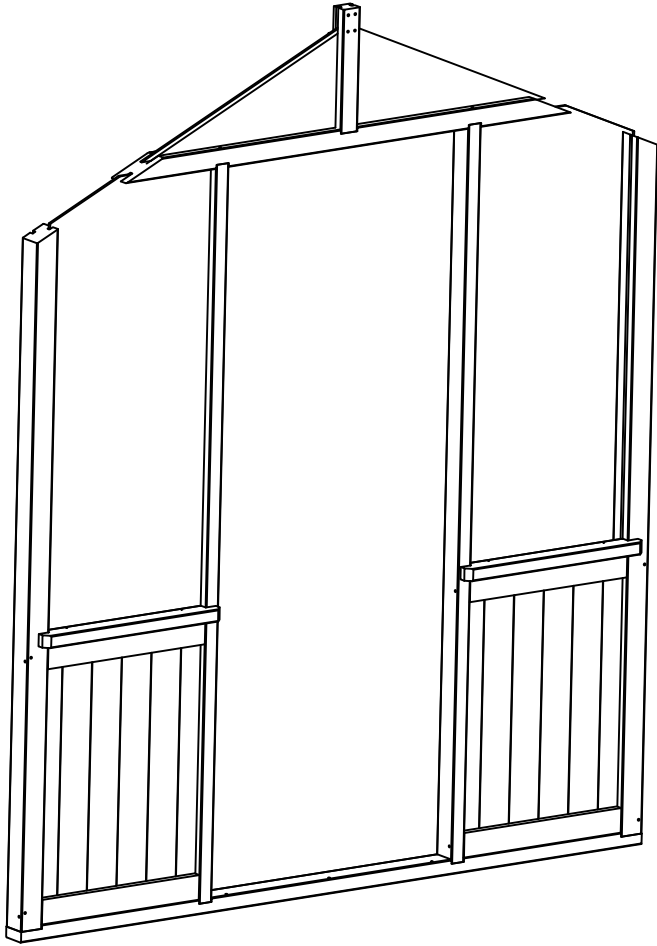


(07) 1X

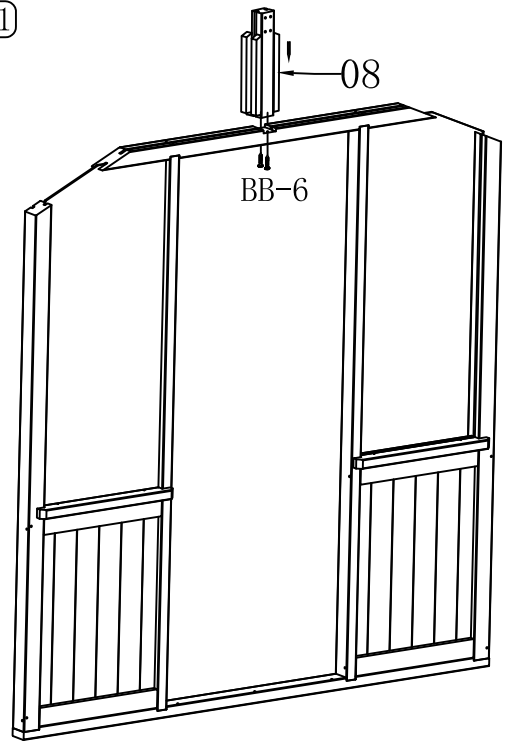


M4x60 (BB-6) 4X

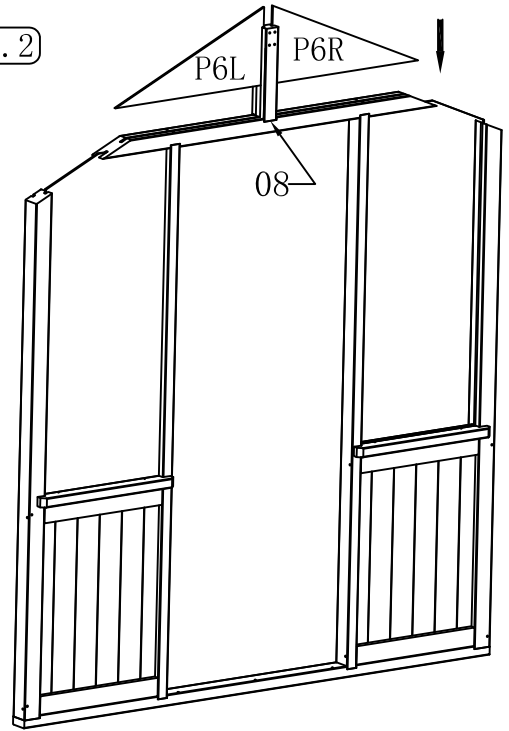
STEP. 6

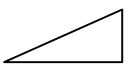


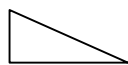
STEP. 1

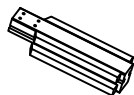


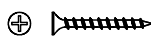
STEP. 2




(P6L) 1X
 (557x248)

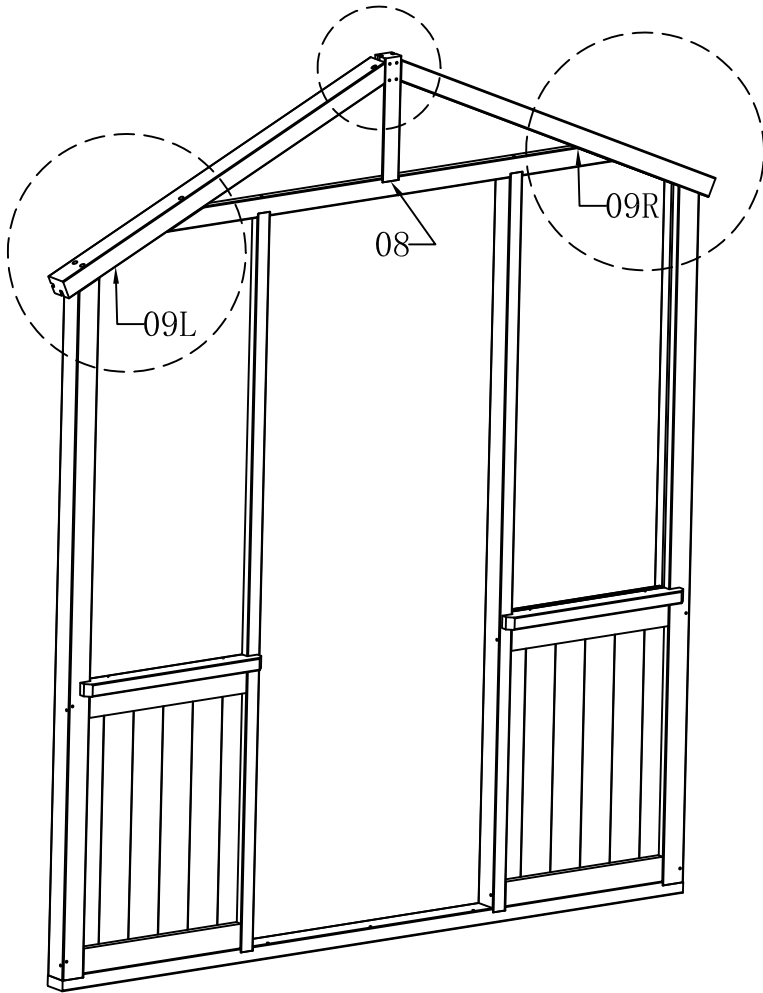
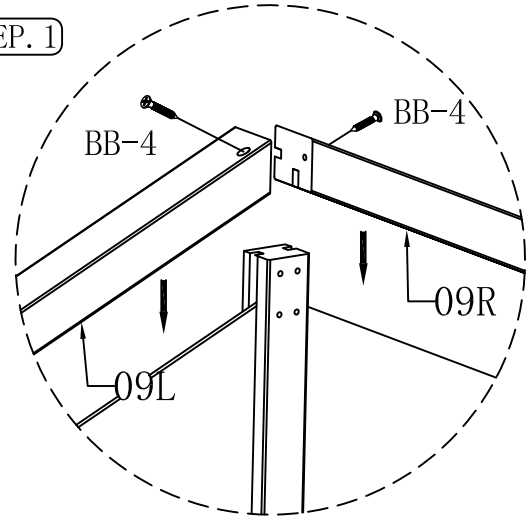

(P6R) 1X
 (557x248)


 (08) 1X

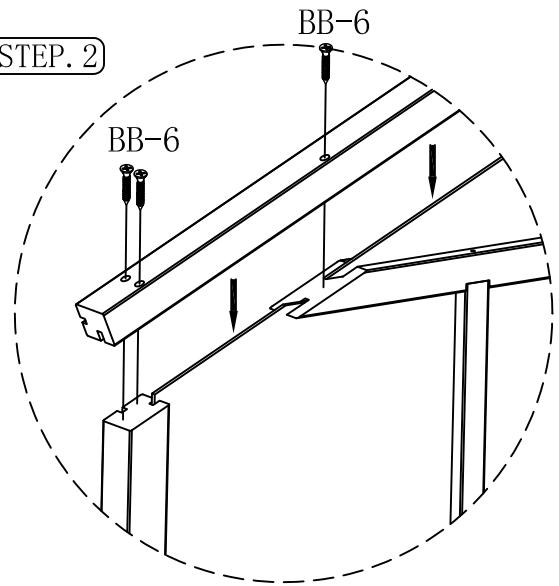

 M4x60 (BB-6) 2X

STEP. 7

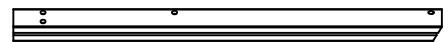
STEP. 1



STEP. 2



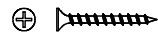
09L 1X



09R 1X

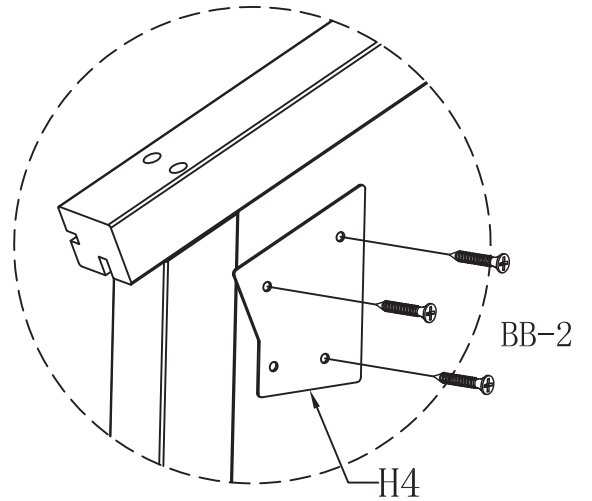
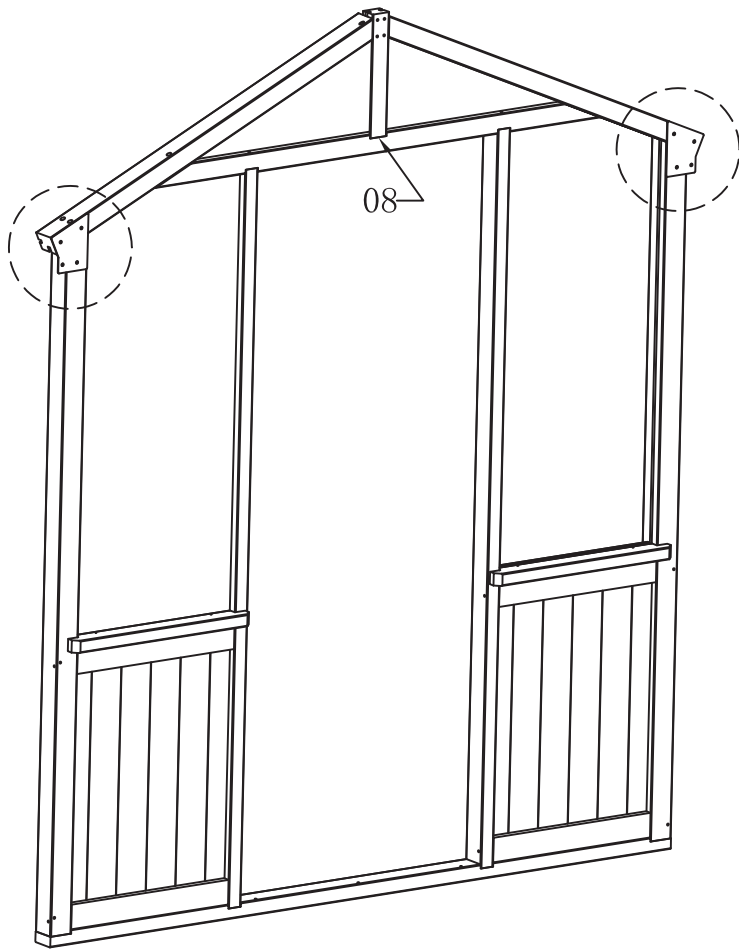


M4x40 BB-4 2X



M4x60 BB-6 6X

STEP. 8

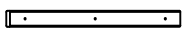
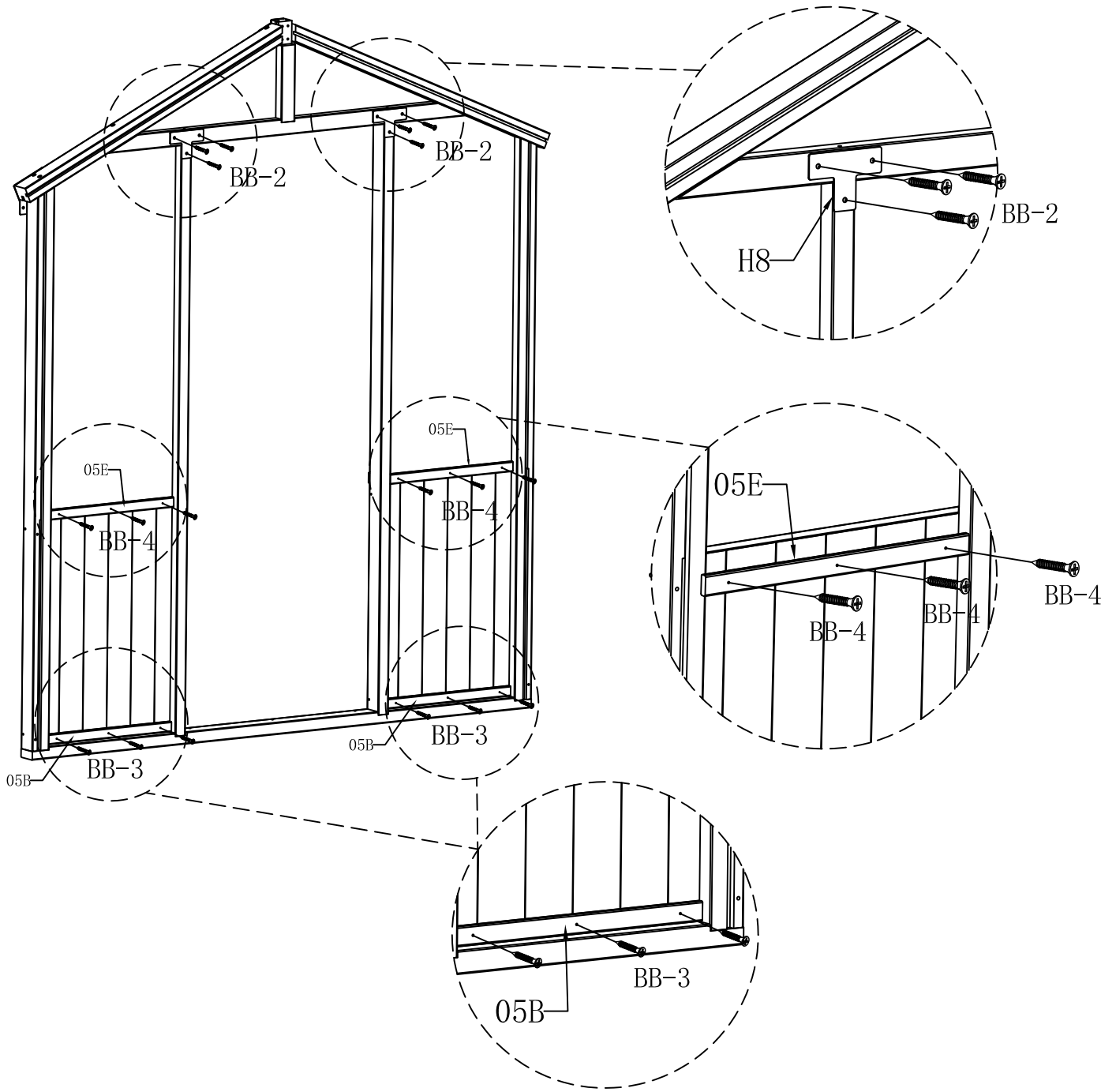


H4 2X



M4x25 **BB-2** 6X

STEP. 9



05B 2X



05E 2X



H8 2X



M4x40 BB-4 6X

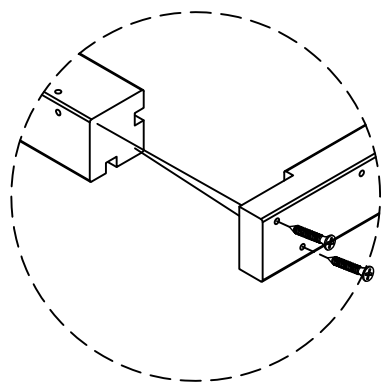


M4x30 BB-3 6X

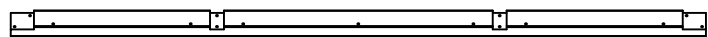
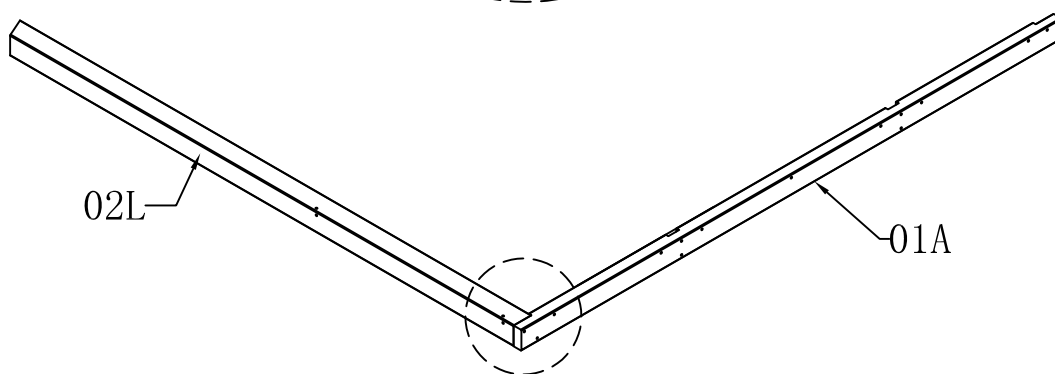


M4x25 BB-2 6X

STEP. 10



BB-6



01A 1X

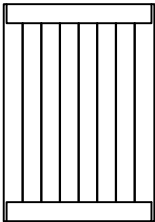
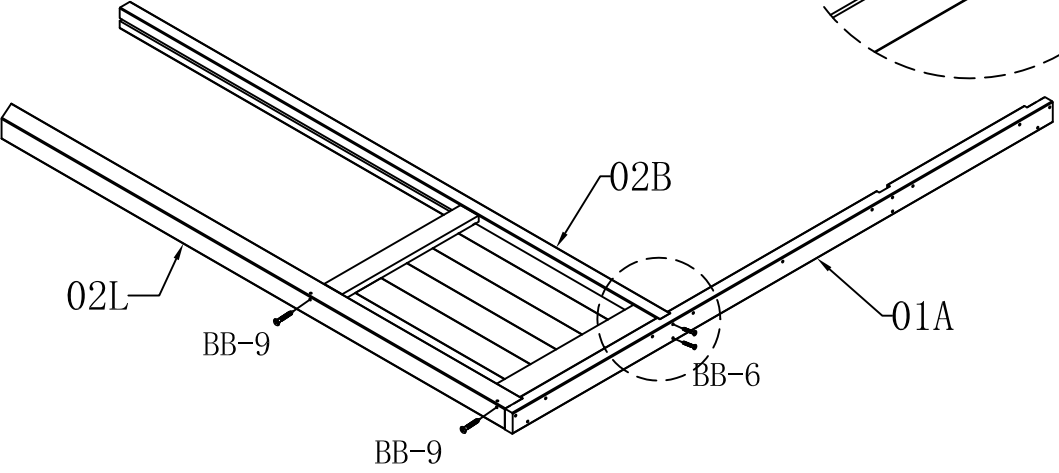
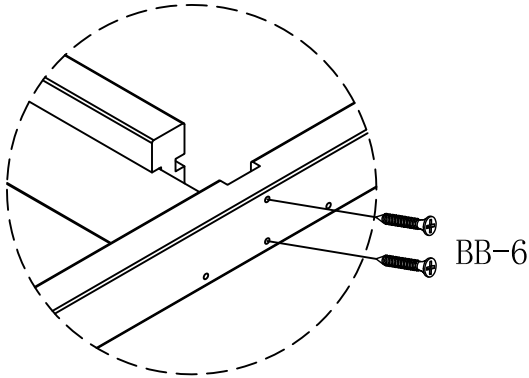
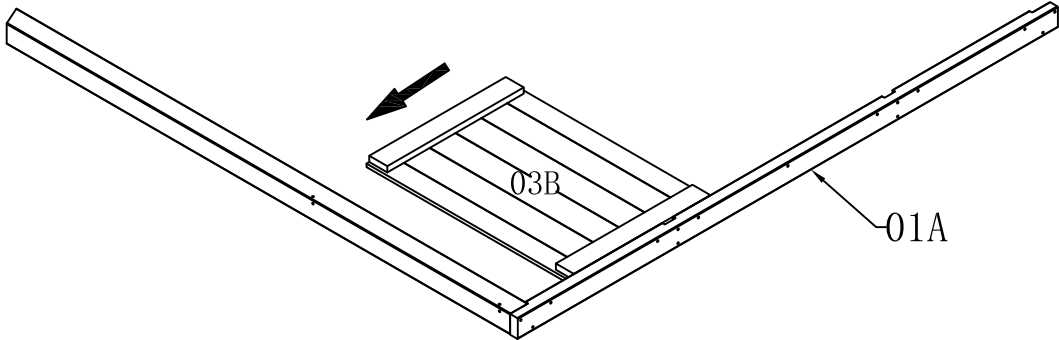


02L 1X

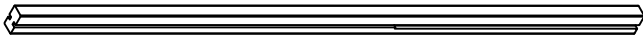


M4x60 BB-6 2X

STEP. 11



03B 1X



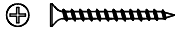
02B 1X



02L 1X

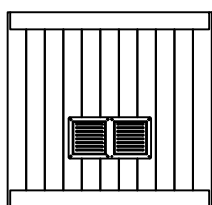
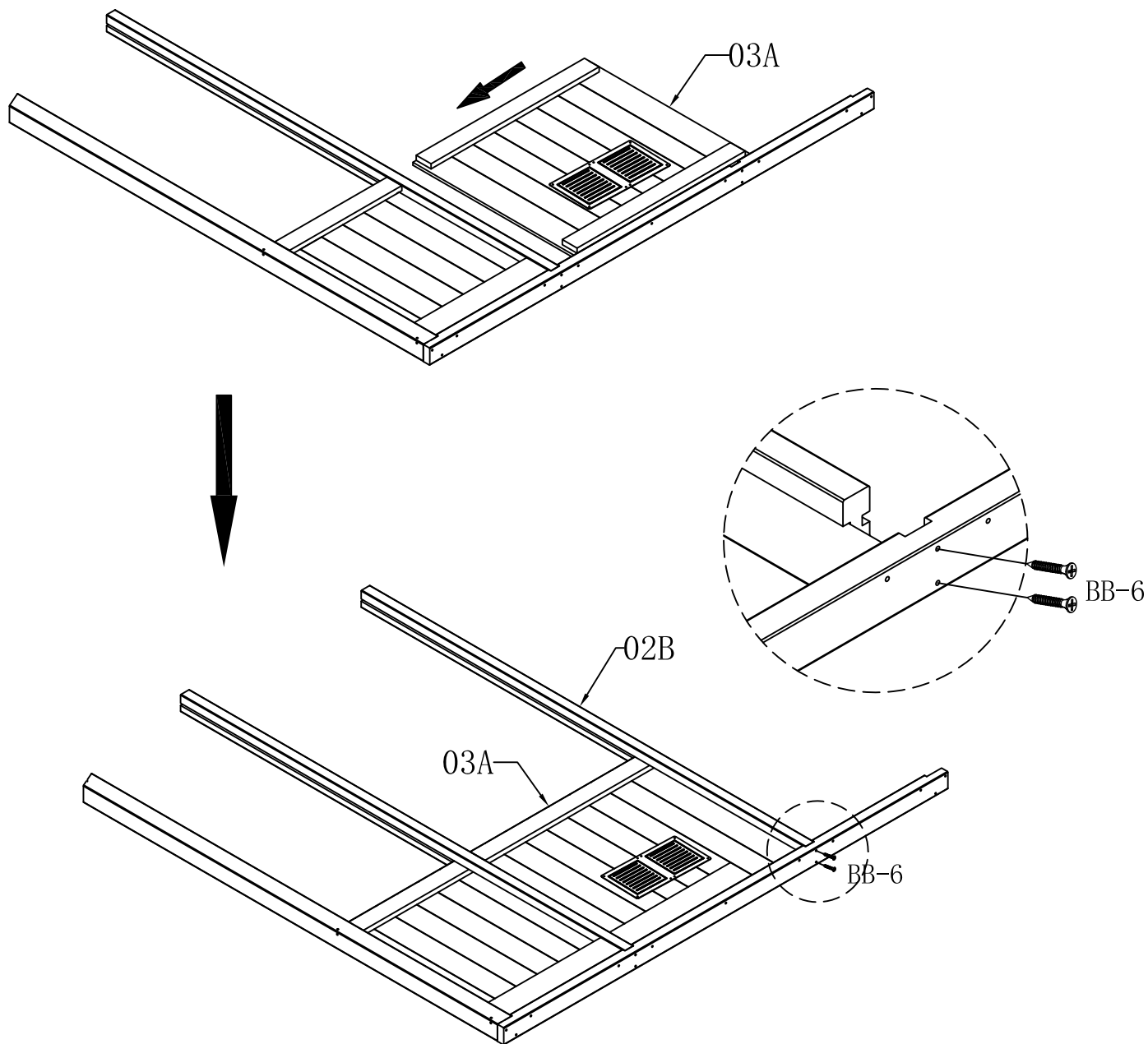


M4x60 BB-6 2X

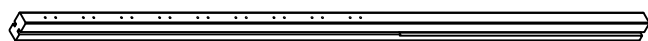


M4x90 BB-9 2X

STEP. 12



03A 1X

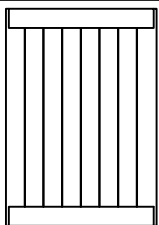
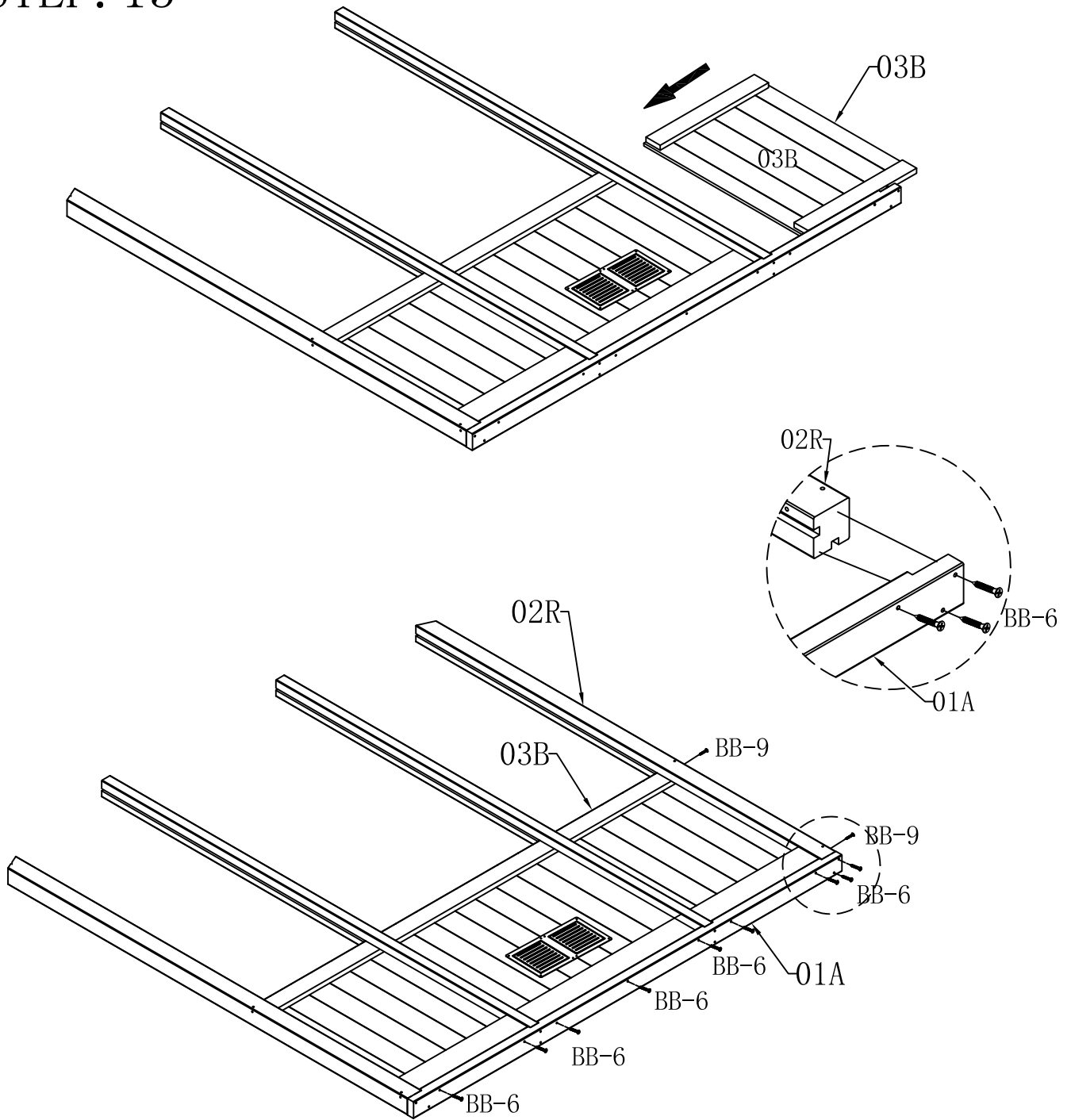


02B 1X

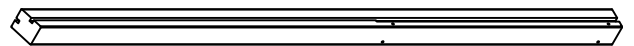


M4x60 BB-6 2X

STEP. 13



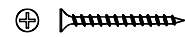
03B 1X



02R 1X

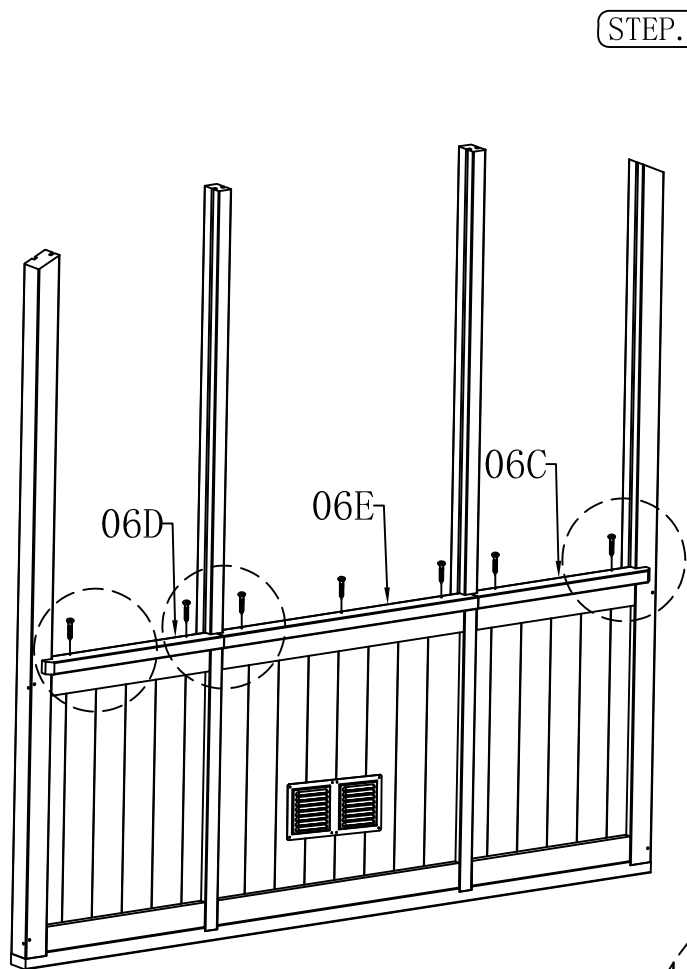


M4x60 BB-6 9X

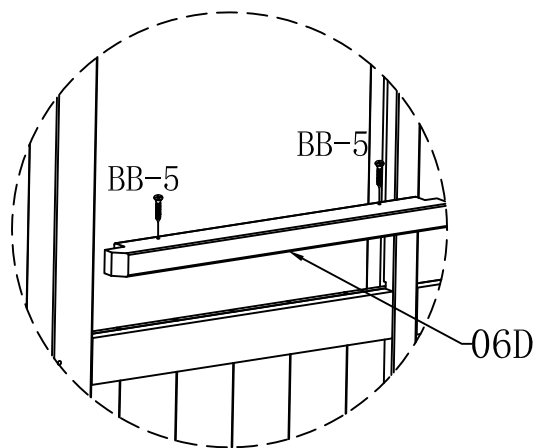


M4x90 BB-9 2X

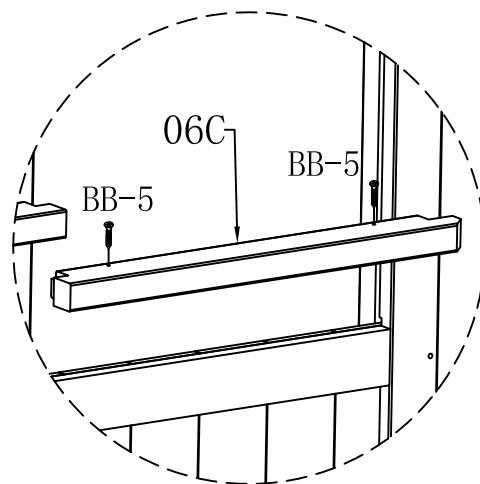
STEP. 14



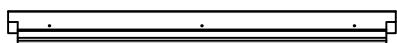
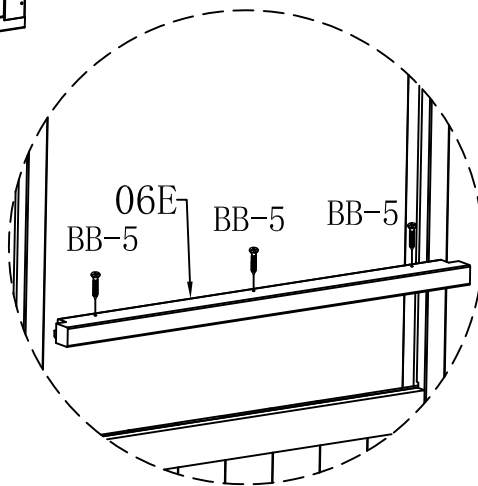
STEP. 1



STEP. 2



STEP. 3



06E 1X



06C 1X

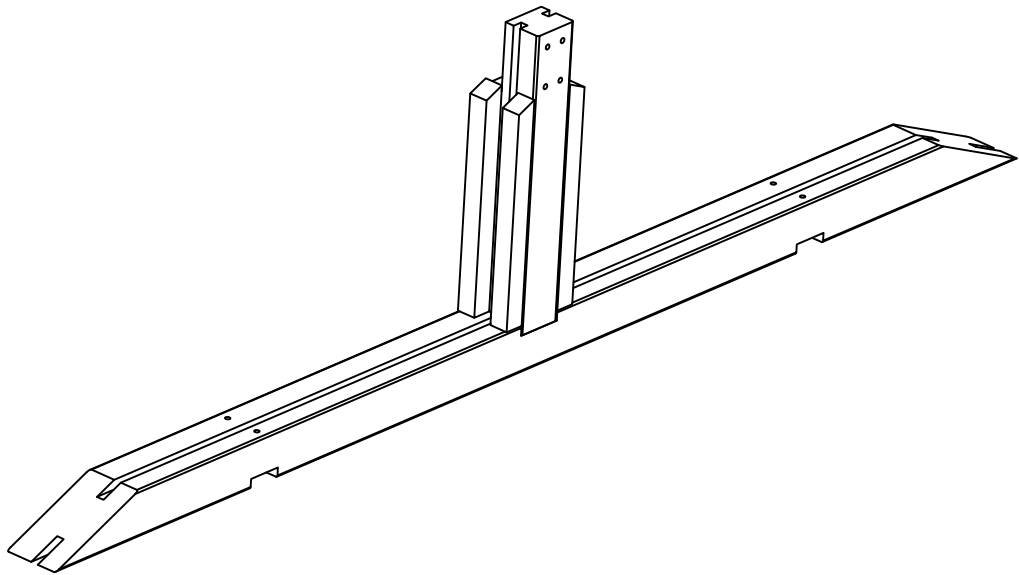
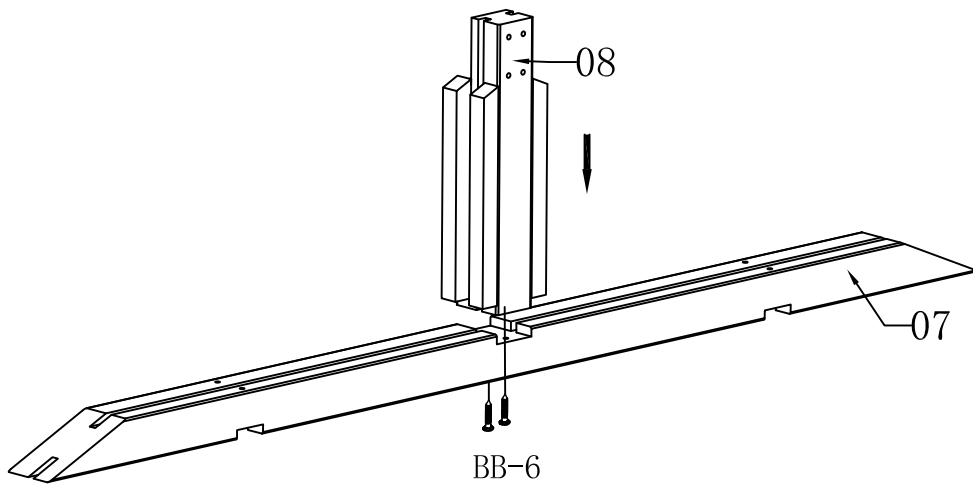


06D 1X

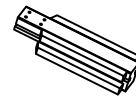


M4x50 BB-5 7X

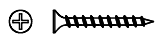
STEP. 15



07 1X

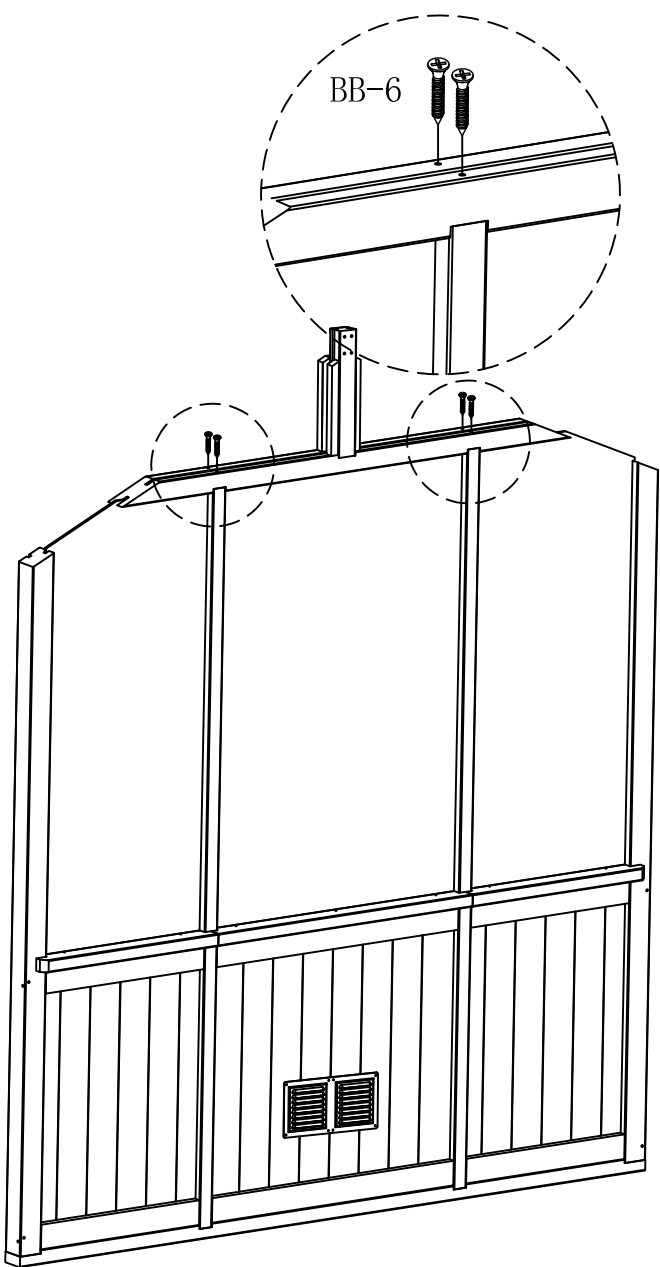


08 1X

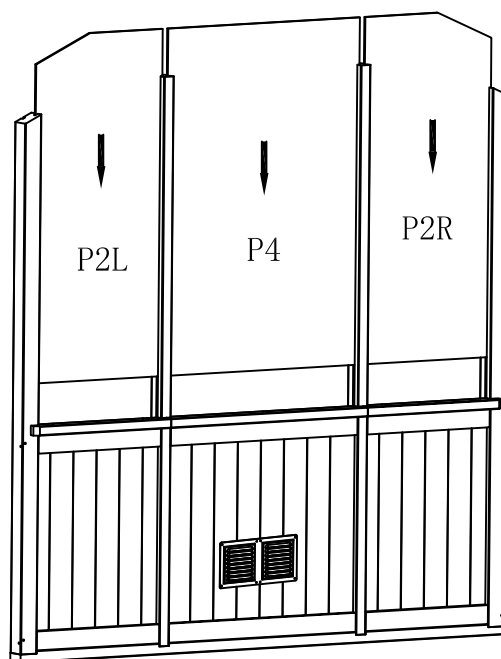


M4x60 BB-6 2X

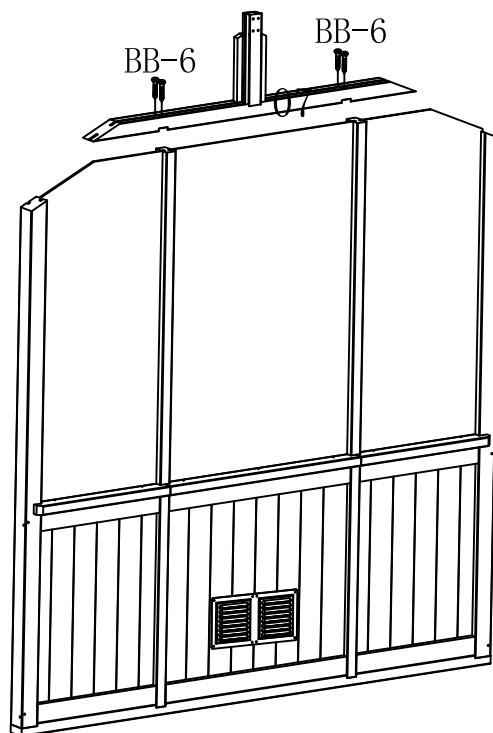
STEP. 16



STEP. 1



STEP. 2



(P2L) 1X

(1098x473)



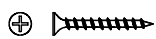
(P2R) 1X

(1098x473)



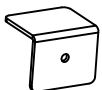
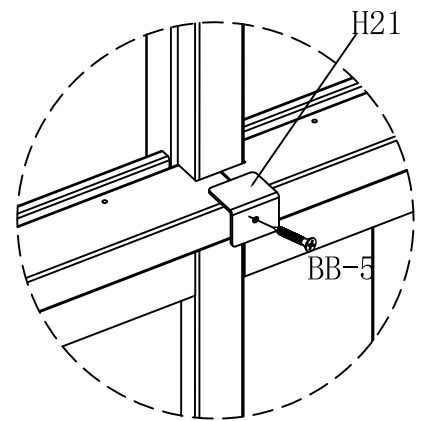
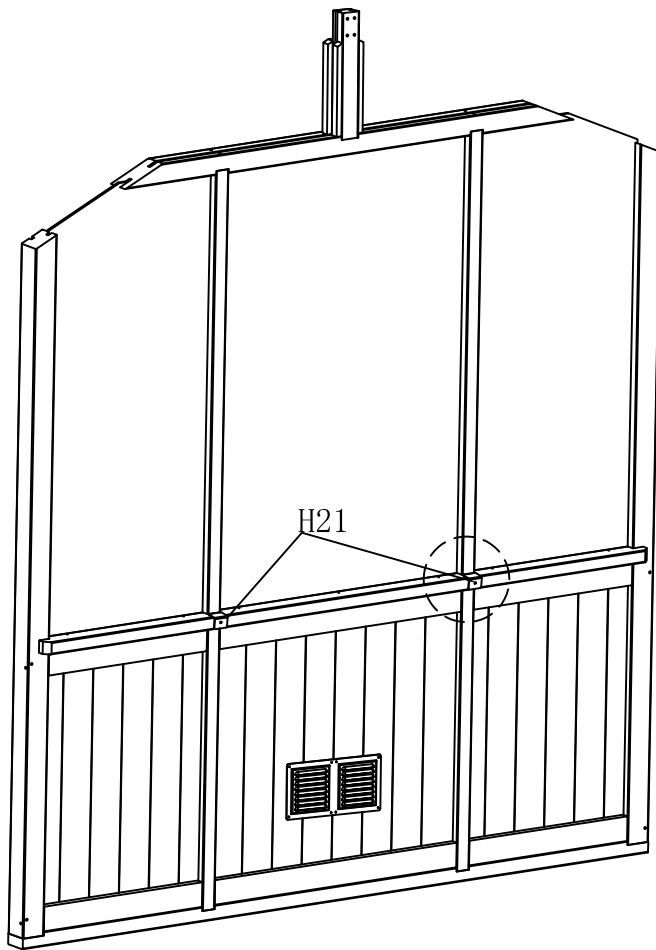
(P4) 1X

(1098x714)



M4x60 (BB-6) 4X

STEP. 17

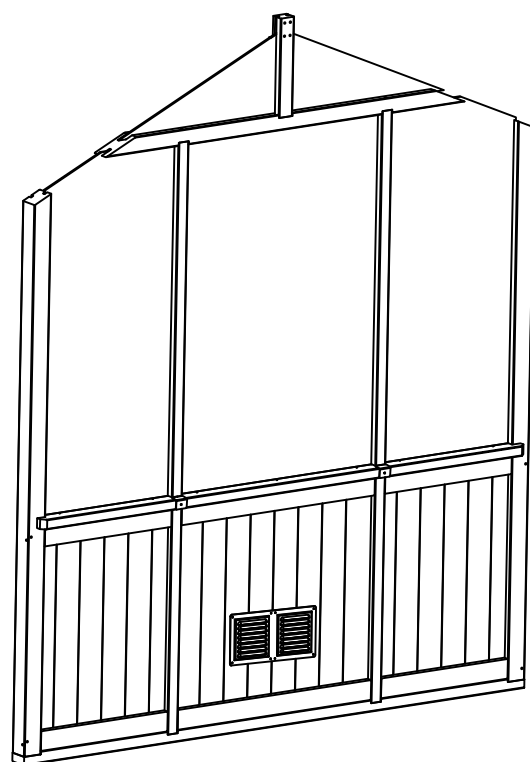
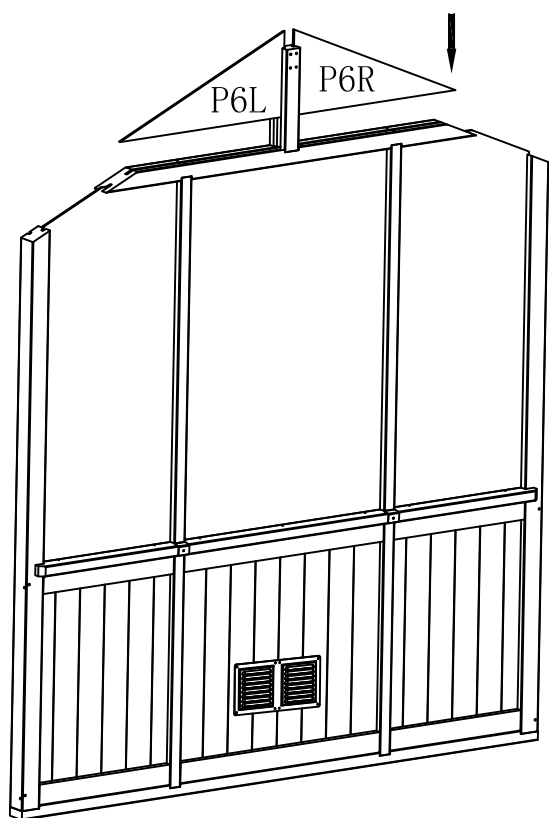


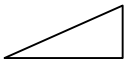
(H21) 2X



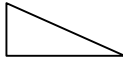
M4x50 (BB-5) 2X

STEP. 18



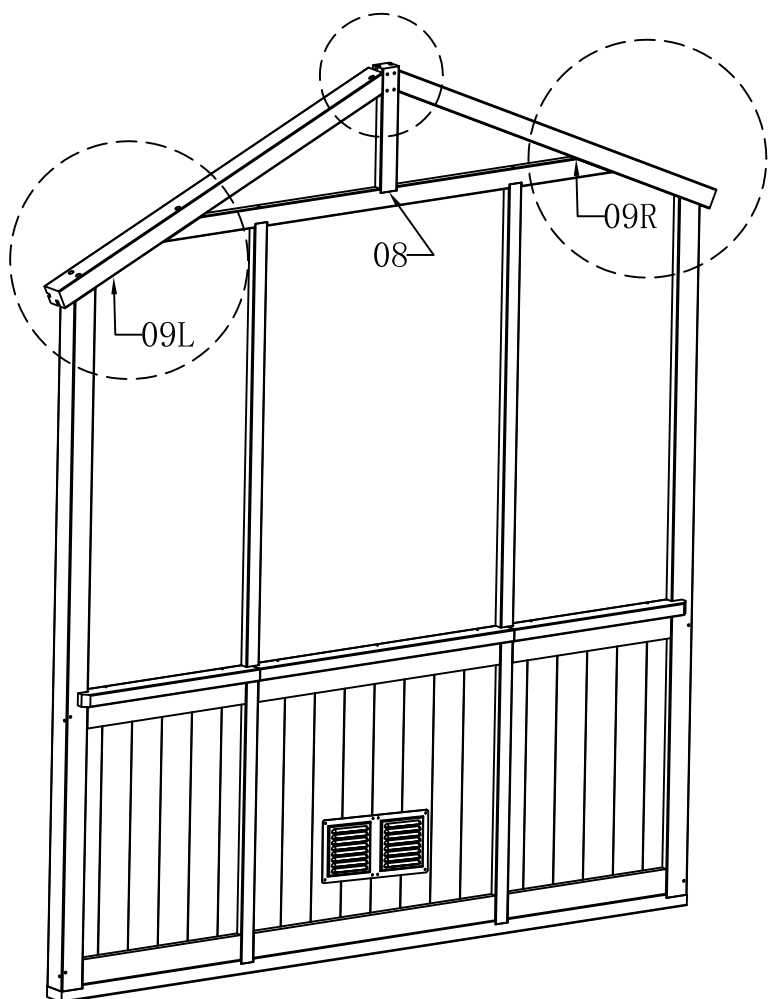

(557x248)

P6L 1X

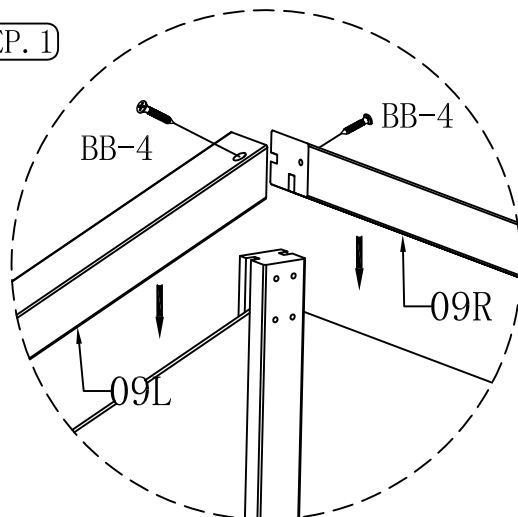

(557x248)

P6R 1X

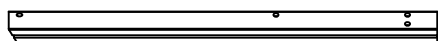
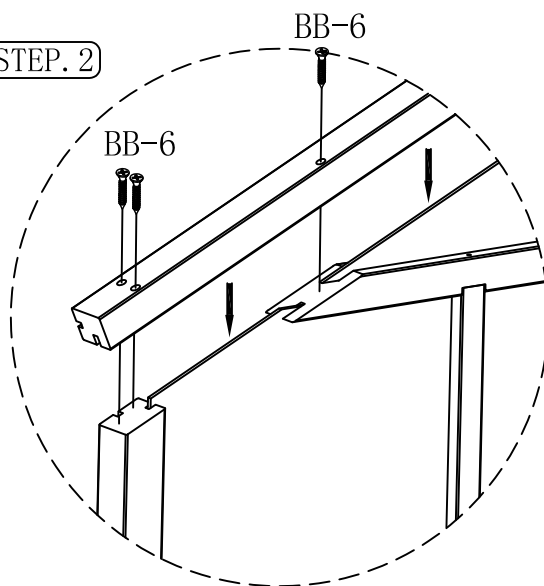
STEP. 19



STEP. 1



STEP. 2



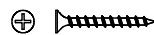
P9L 1X



P9R 1X

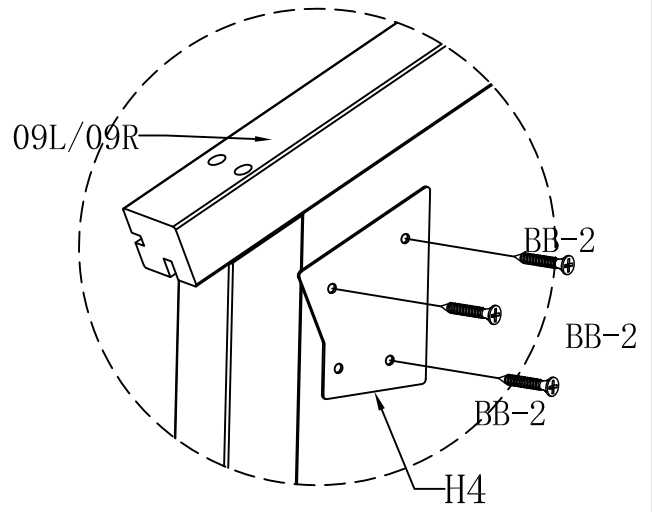
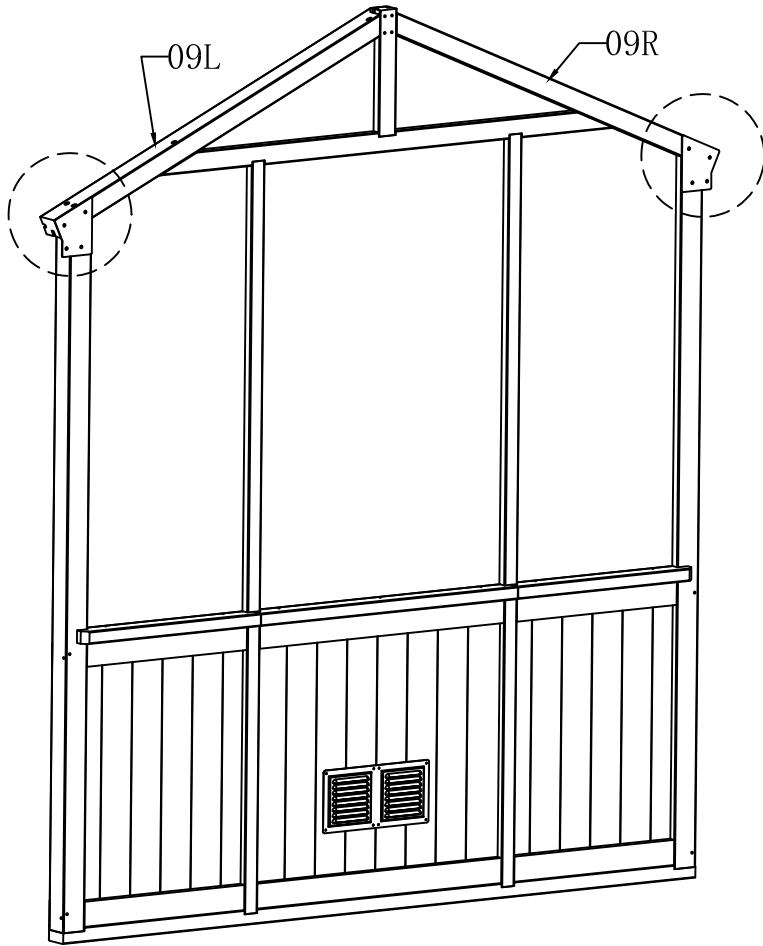


M4x40 BB-4 2X



M4x60 BB-6 6X

STEP. 20

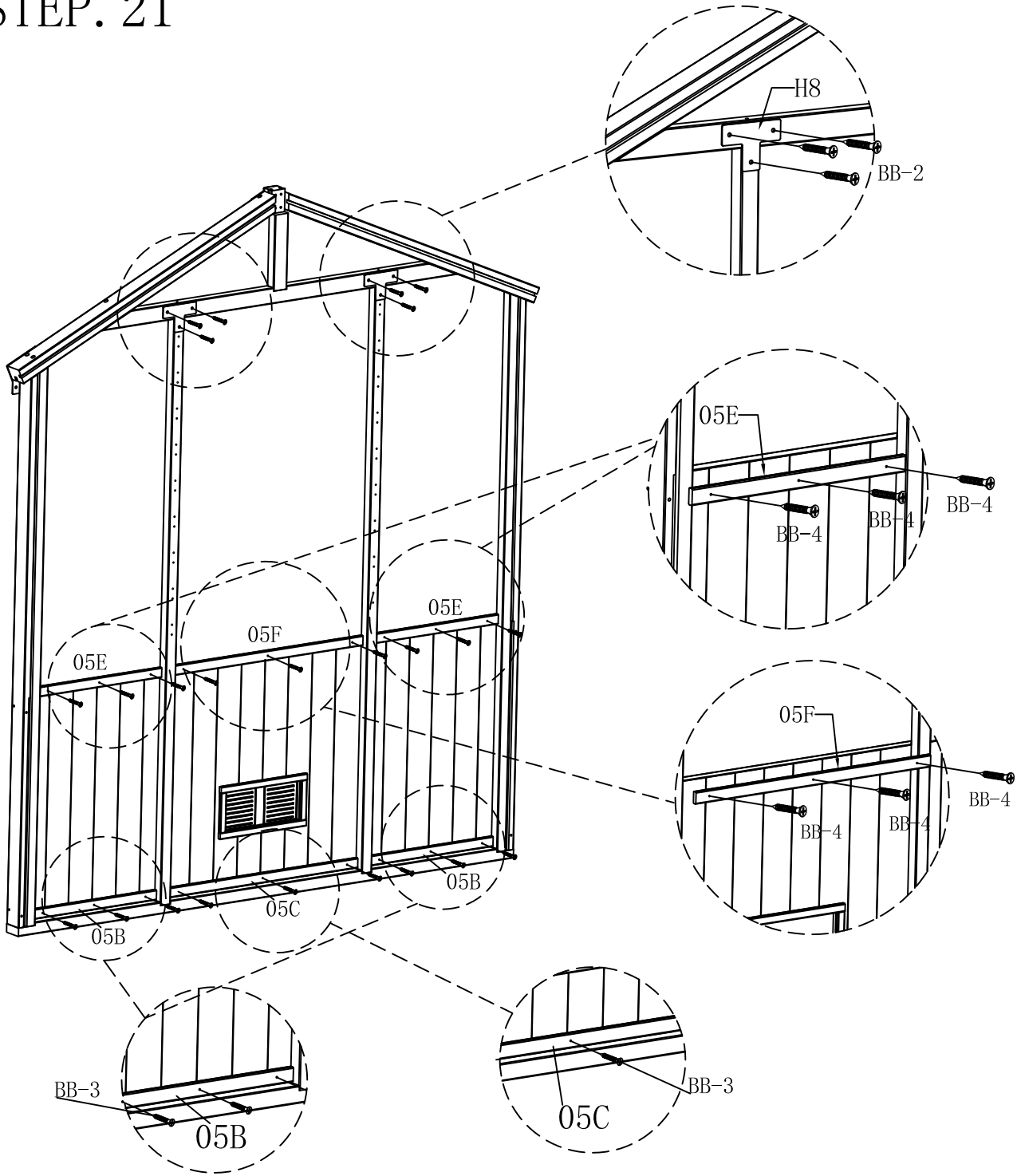


H4 2X



M4x25 BB-2 6X

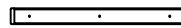
STEP. 21



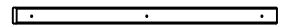
05B 2X



05C 1X



05E 2X



05F 1X



H8 2X



M4x40 BB-4 9X



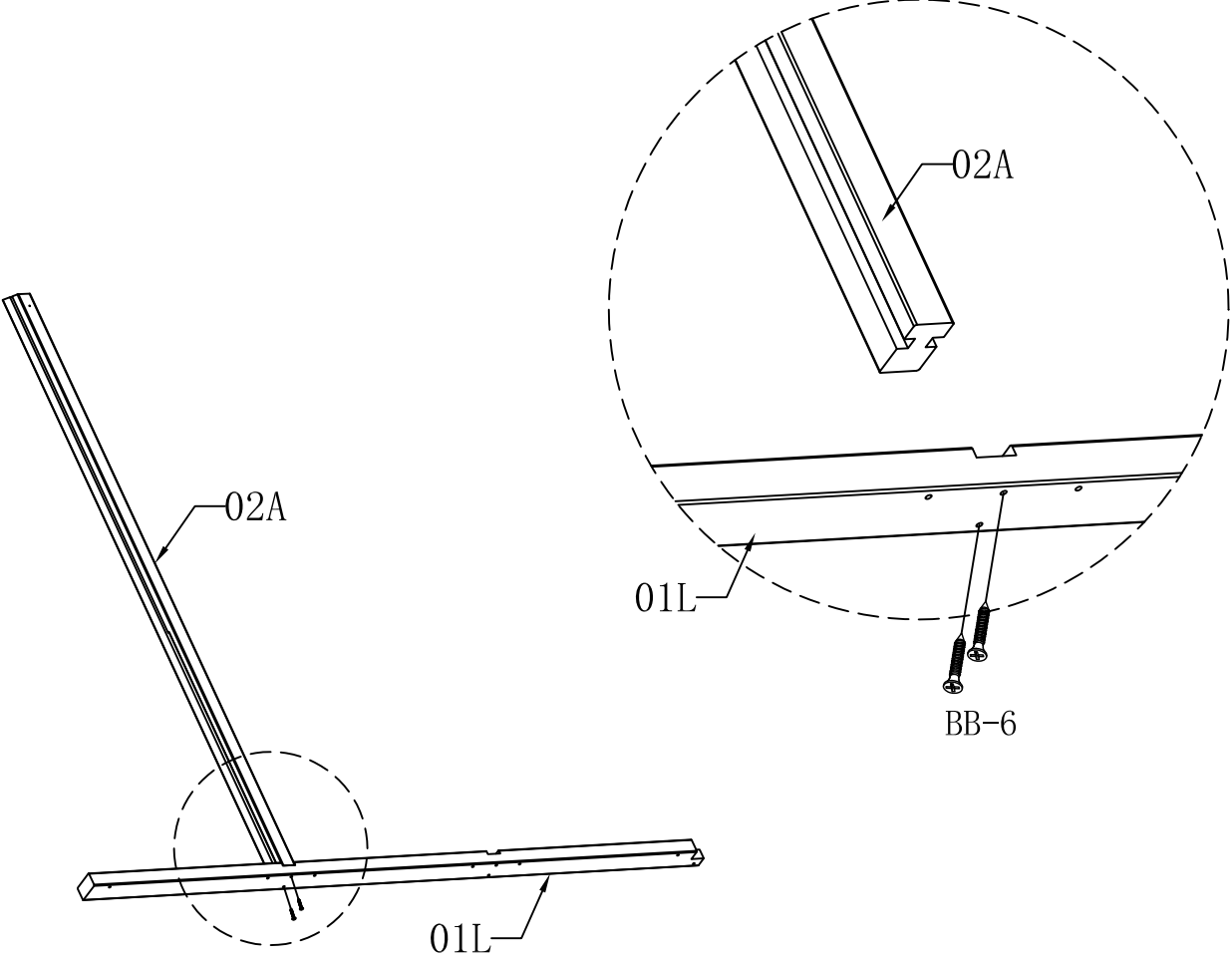
M4x30 BB-3 9X



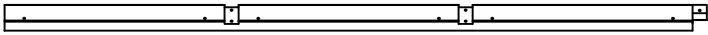
M4x25 BB-2 6X

STEP. 22

*2



02A 2X

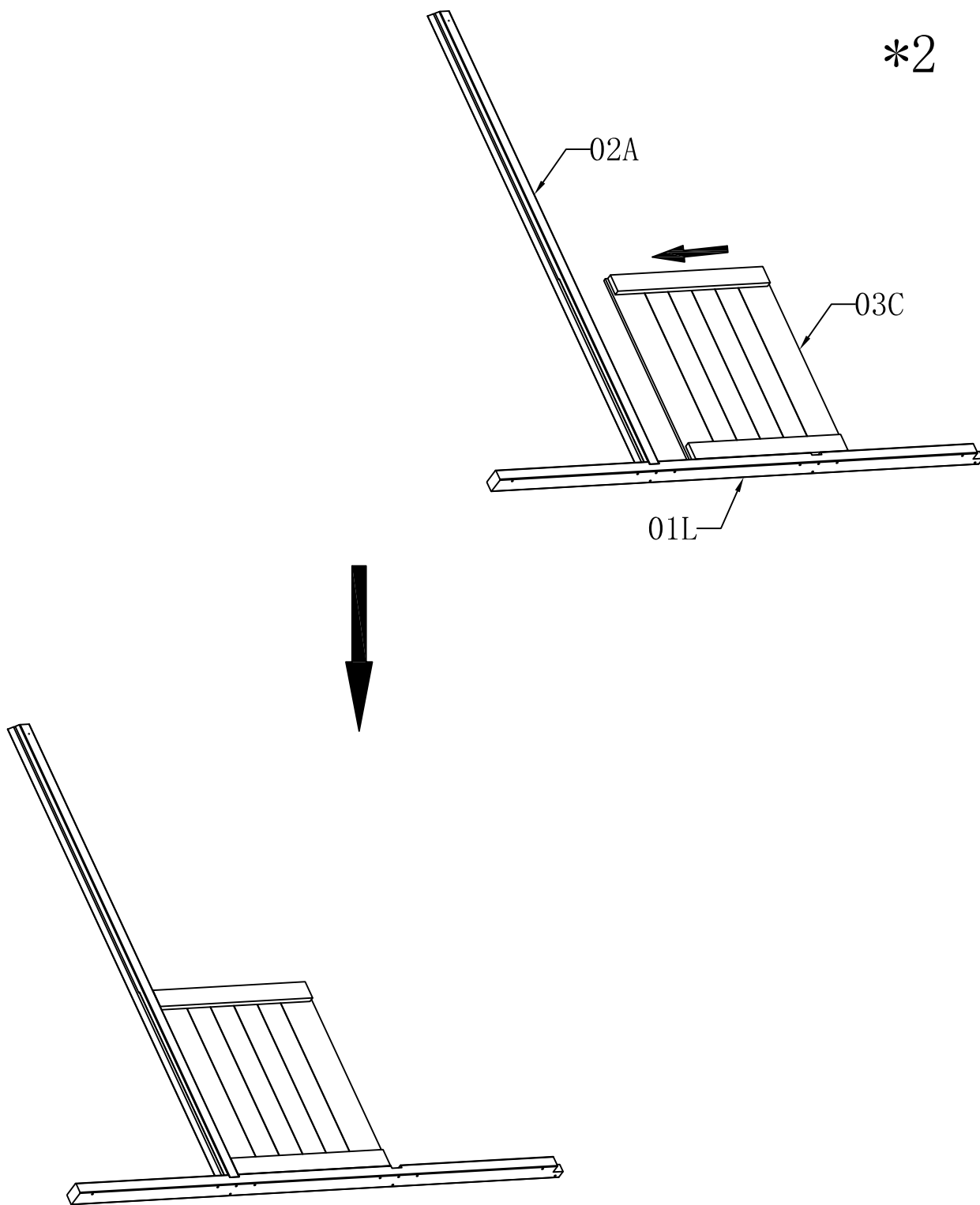


01L 2X



M4x60 BB-6 4X

STEP. 23

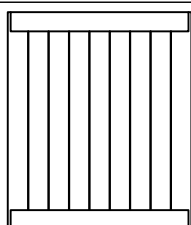


*2

02A

03C

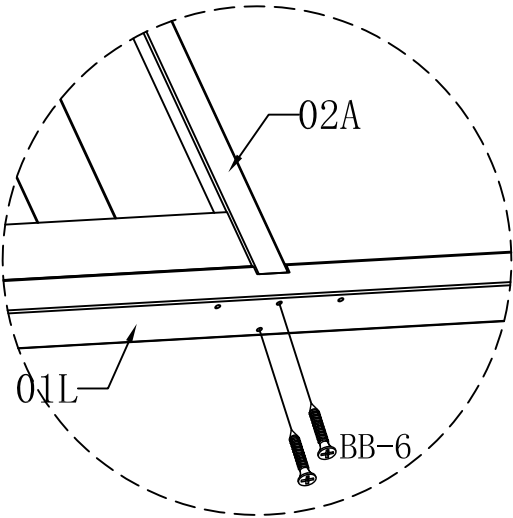
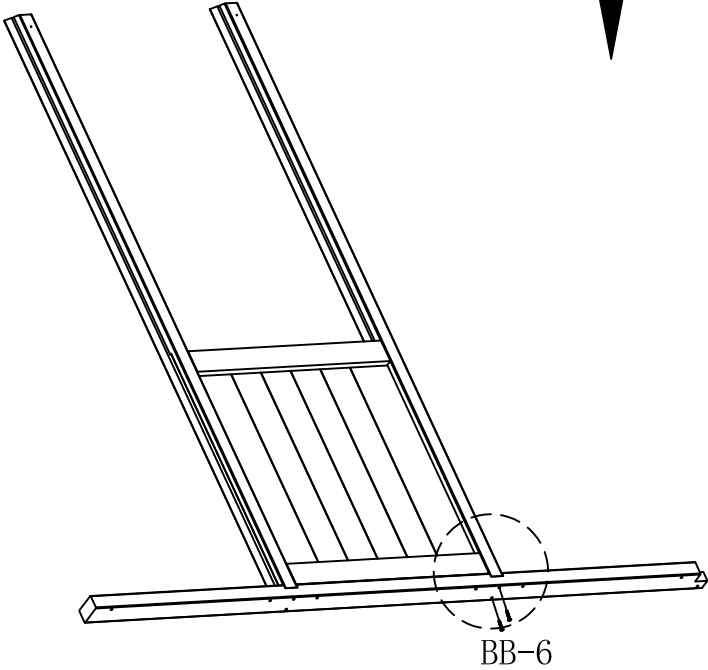
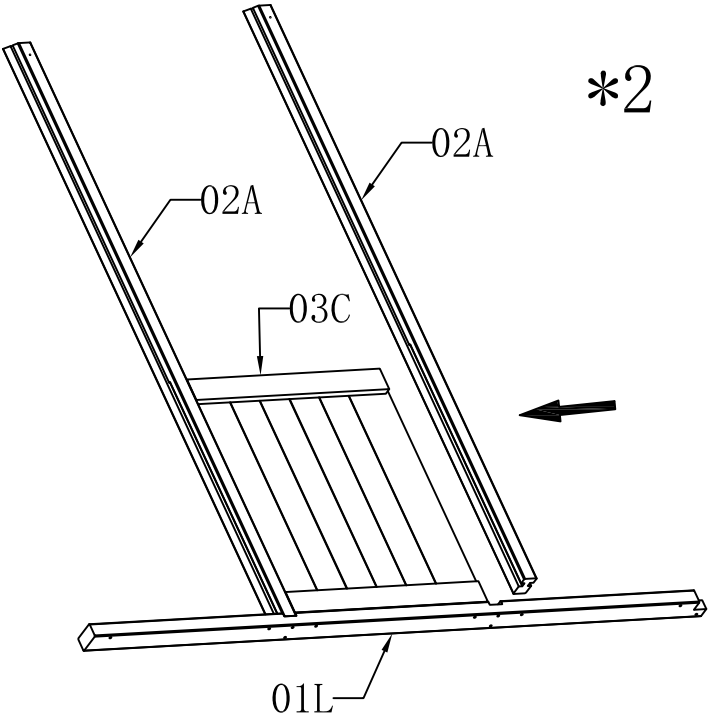
01L



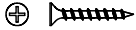
03C

2X

STEP. 24

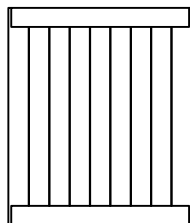
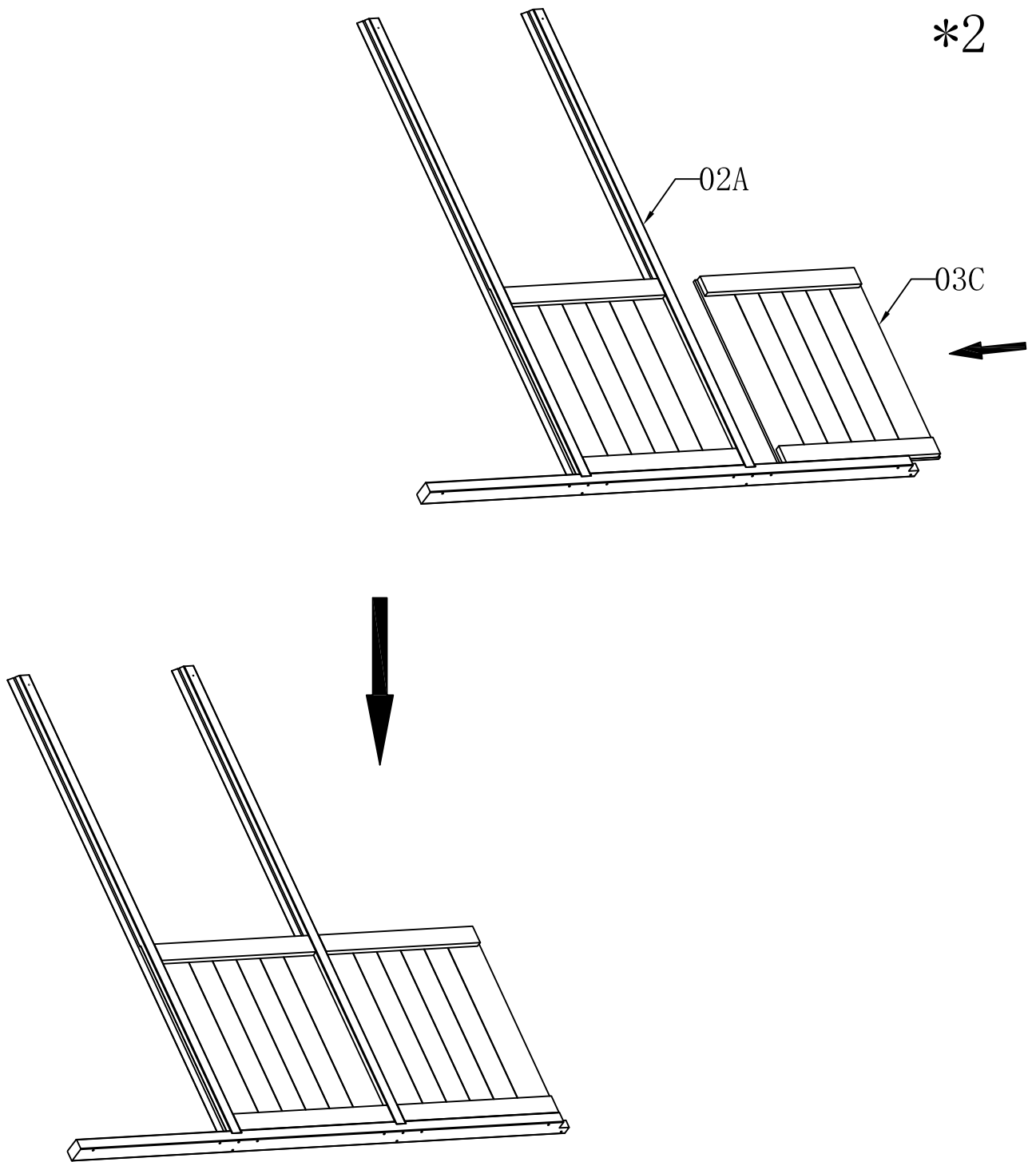


(02A) 2X



M4x60 (BB-6) 4X

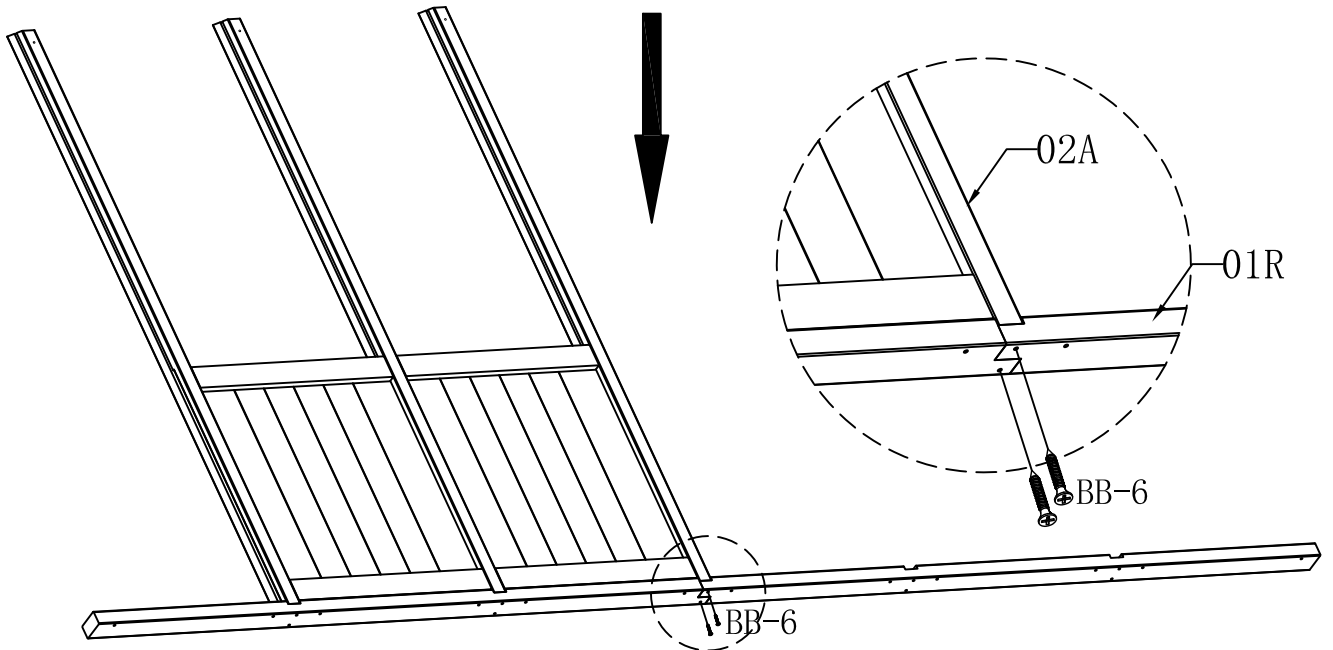
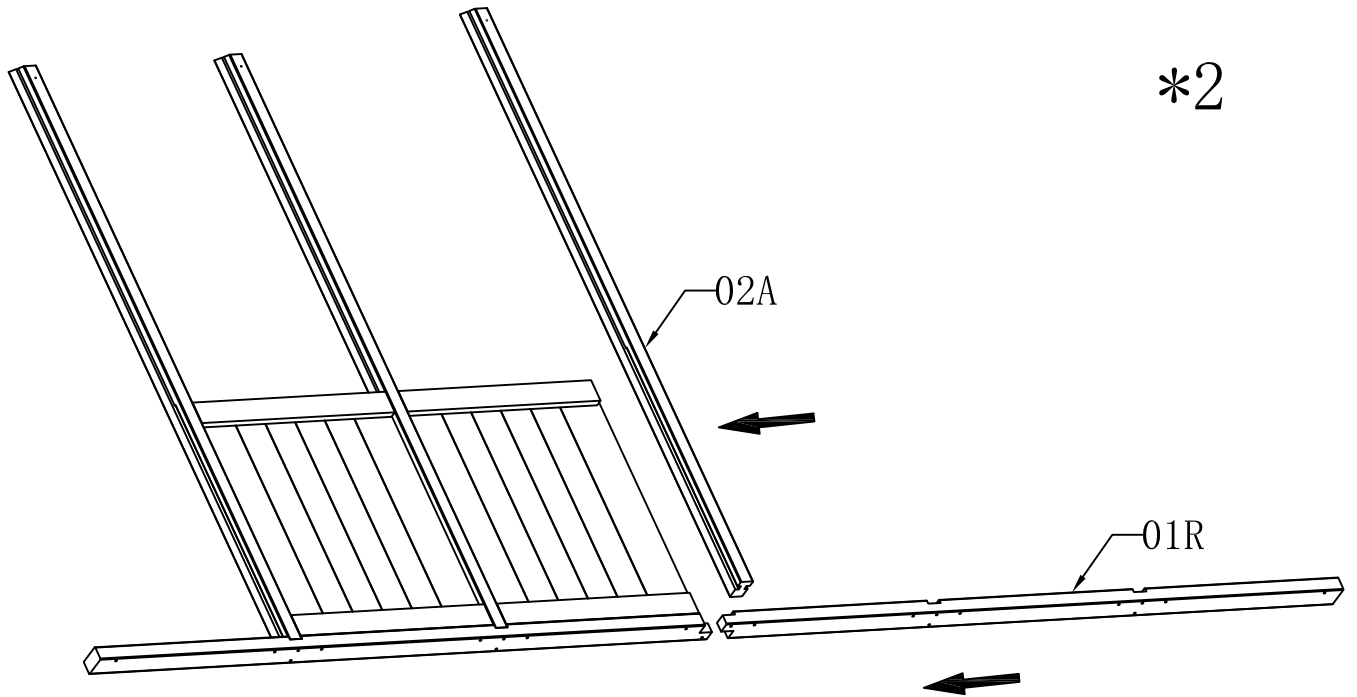
STEP. 25



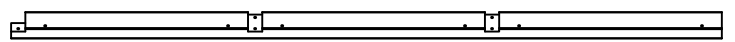
03C 2X

STEP. 26

*2



(02A) 2X



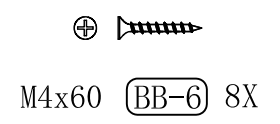
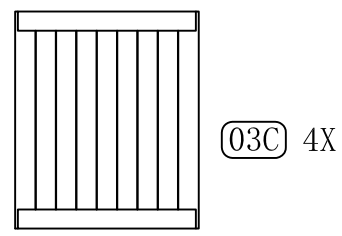
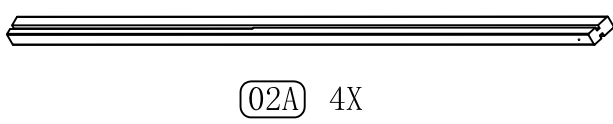
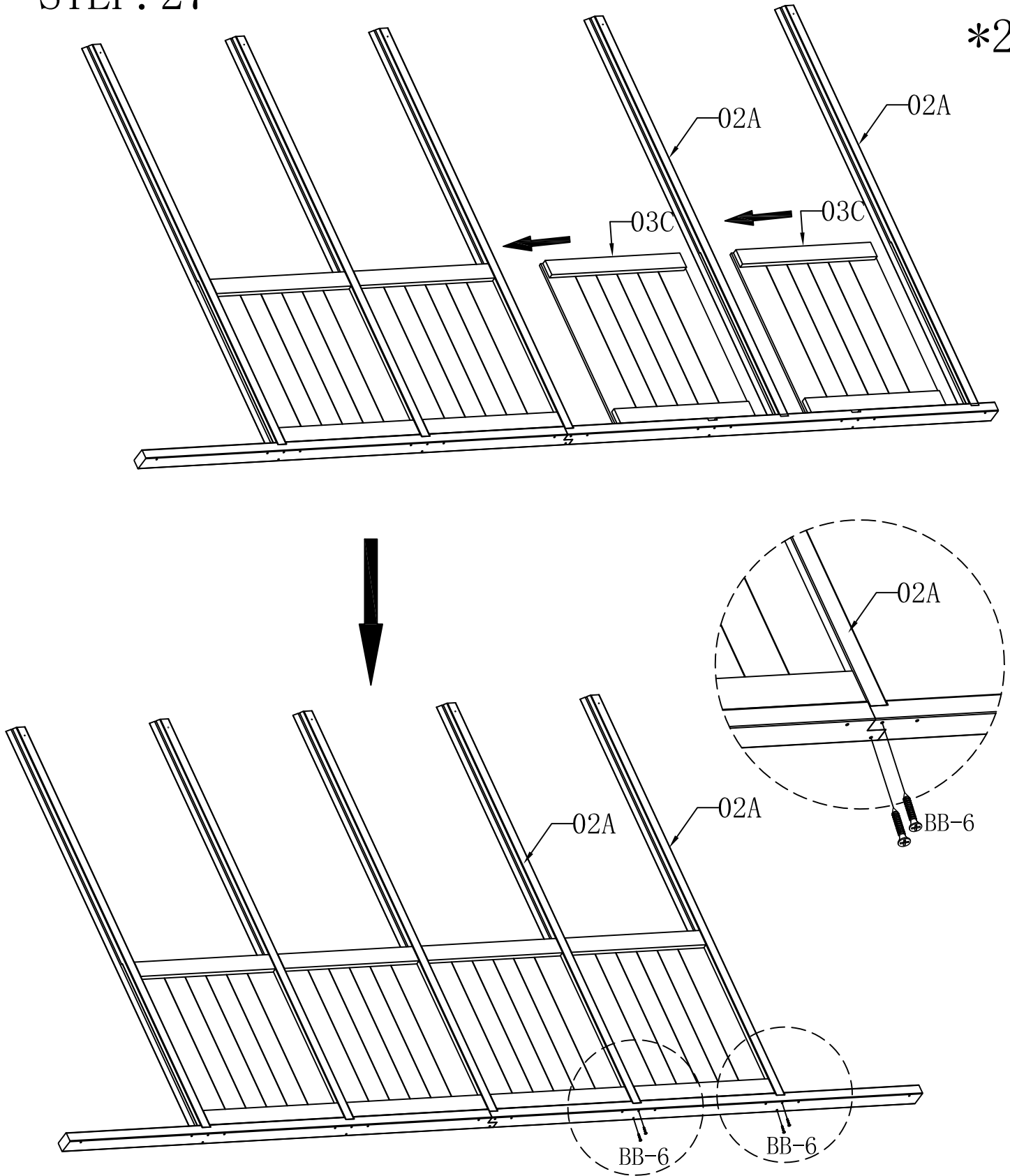
(01R) 2X



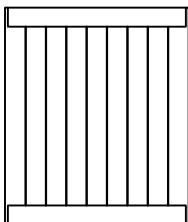
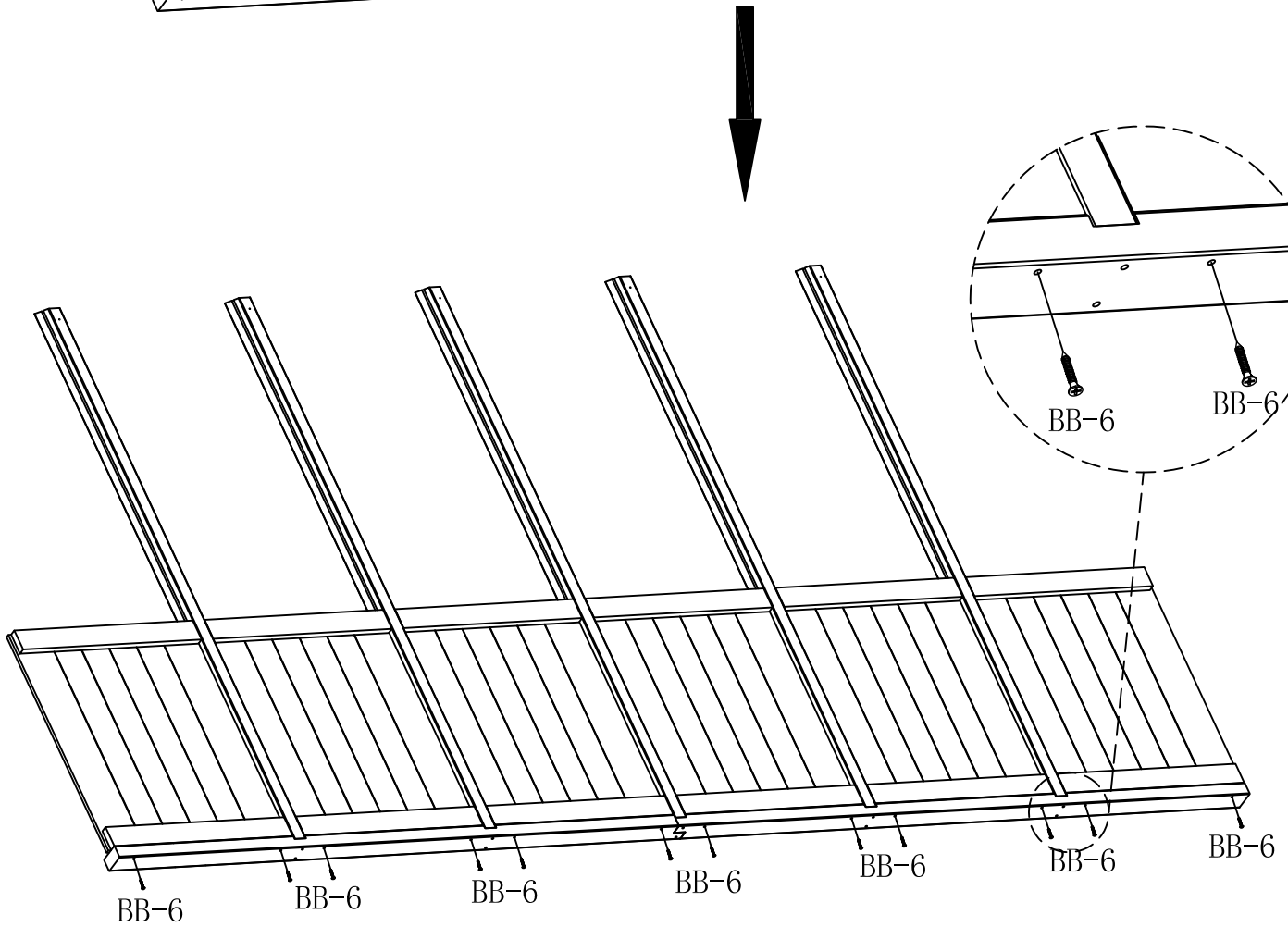
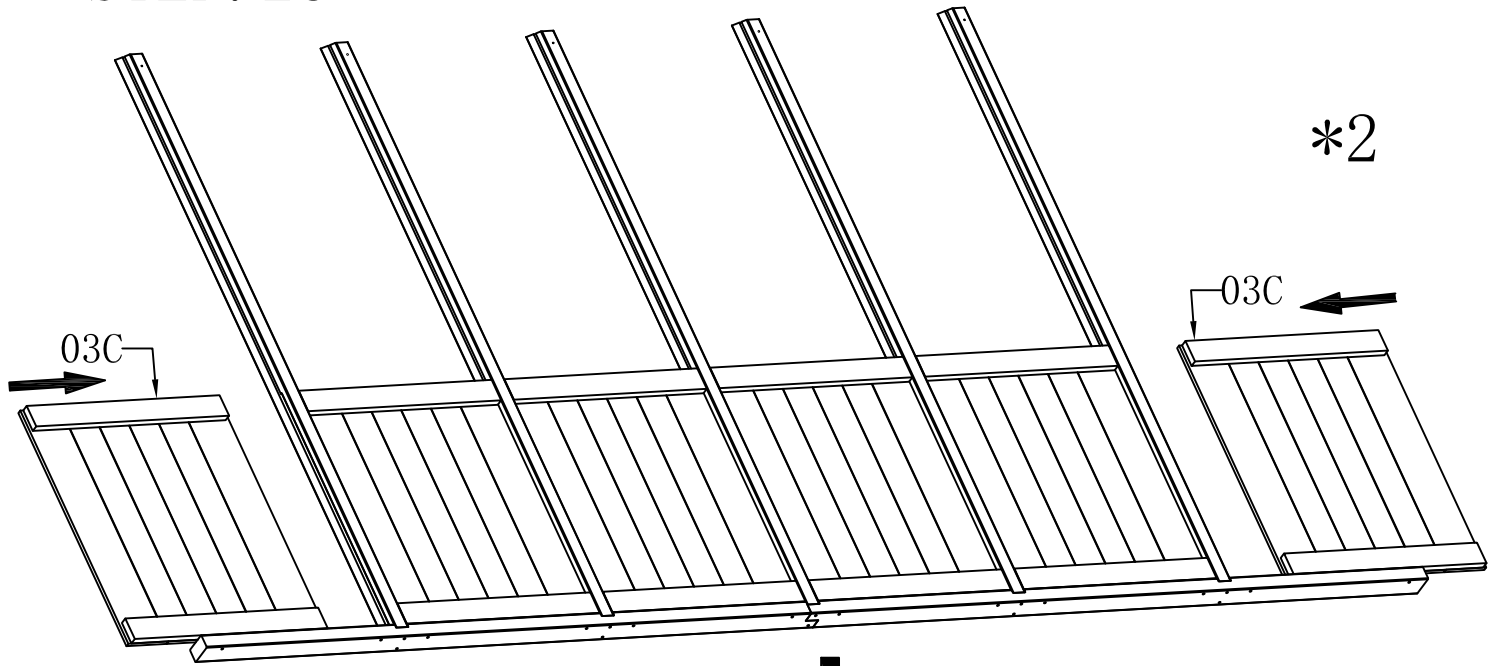
M4x60 (BB-6) 4X

STEP. 27

*2



STEP. 28



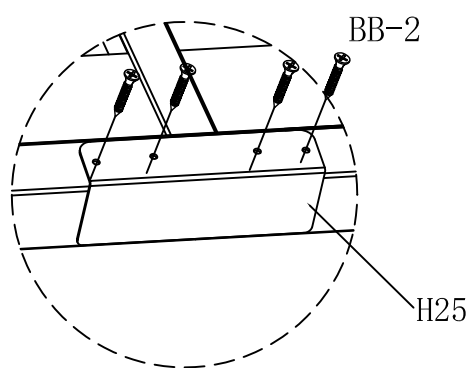
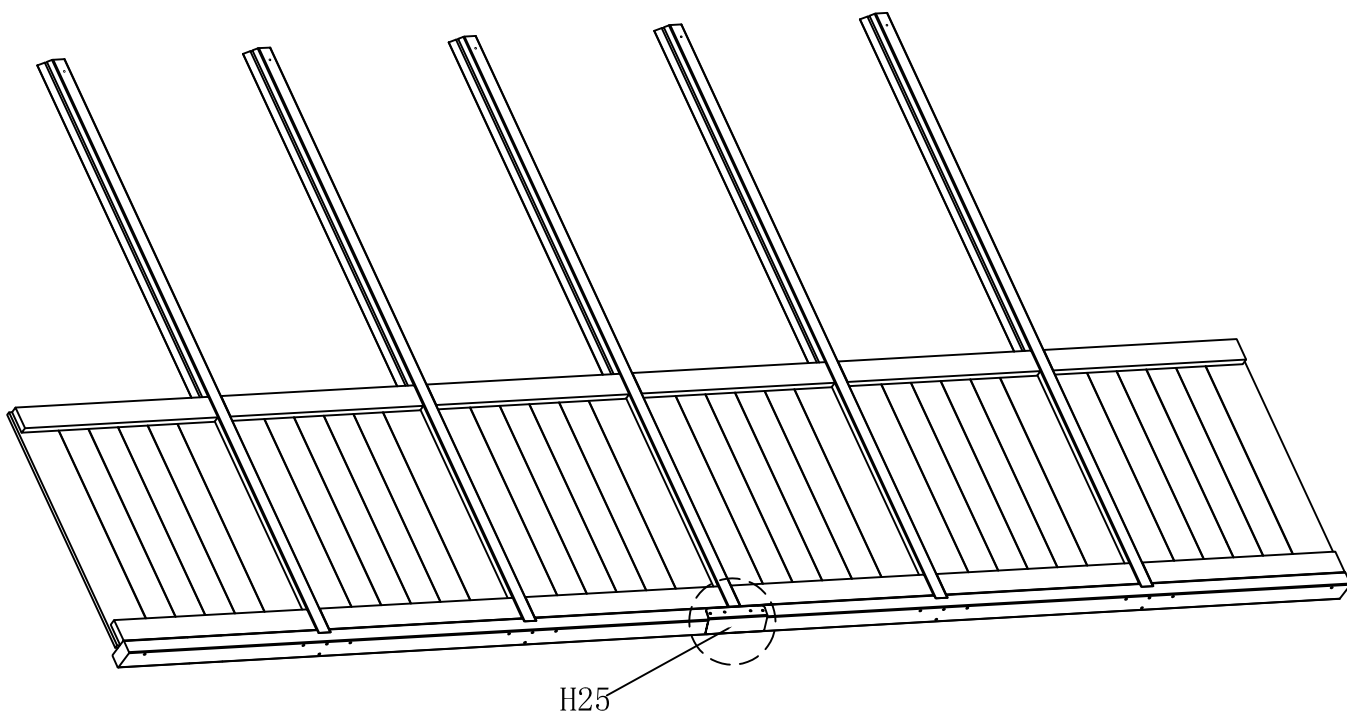
03C 4X



M4x60 BB-6 24X

STEP. 29

*2



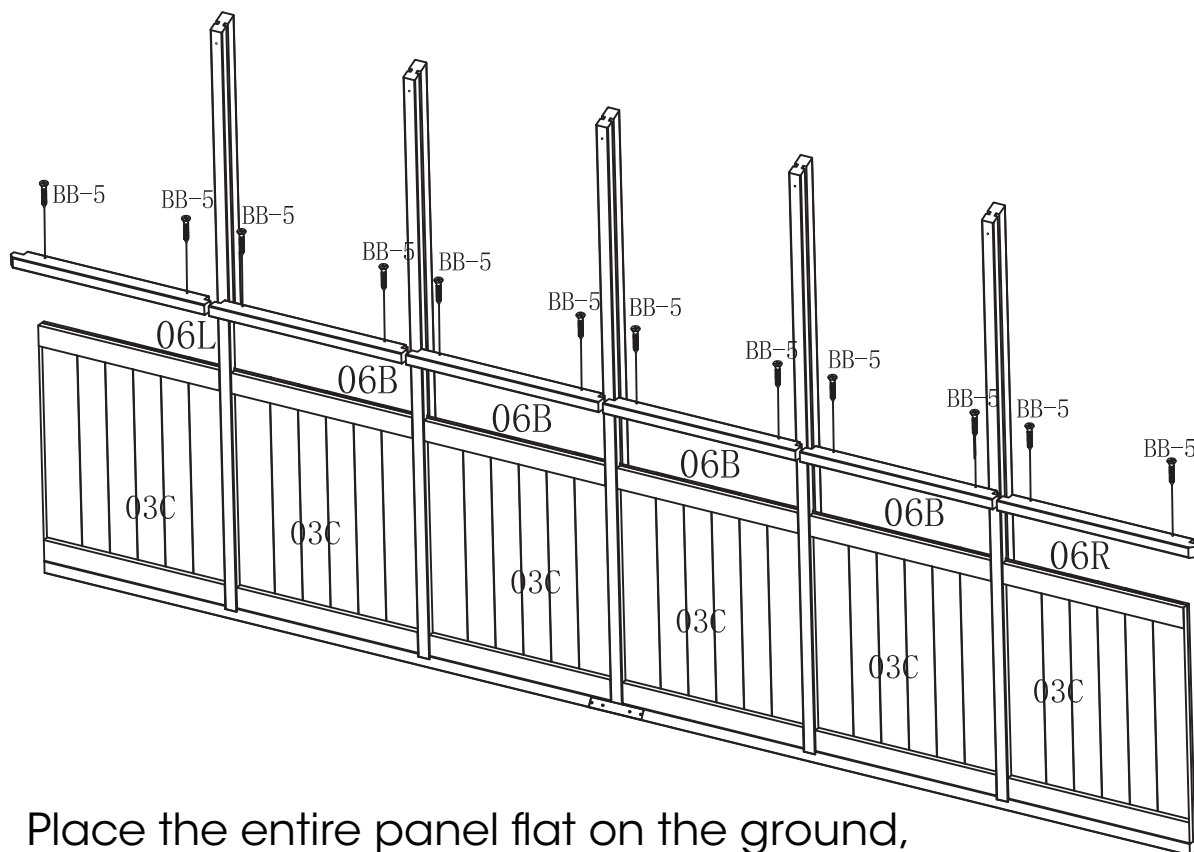
H25 2X



M4x25 BB-2 8X

STEP. 30

*2



Place the entire panel flat on the ground,
press 06L,06B,06R tightly against panel 03C,
and then screw in the screws



06B 8X



06L 2X

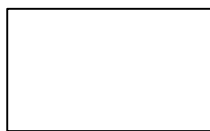
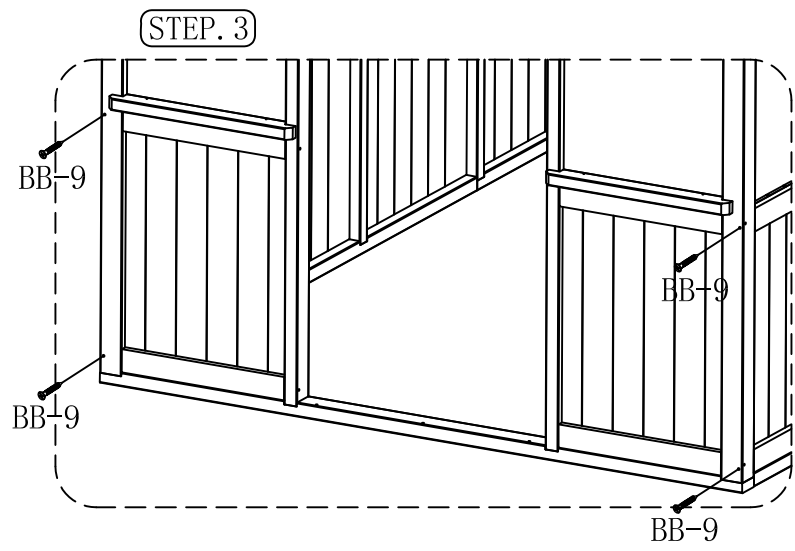
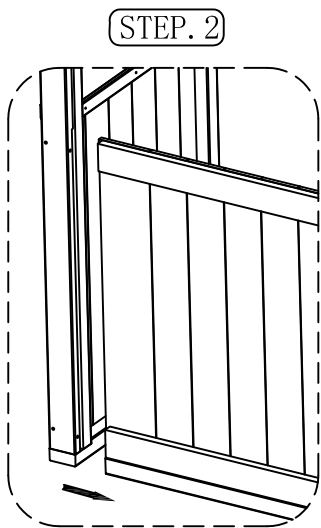
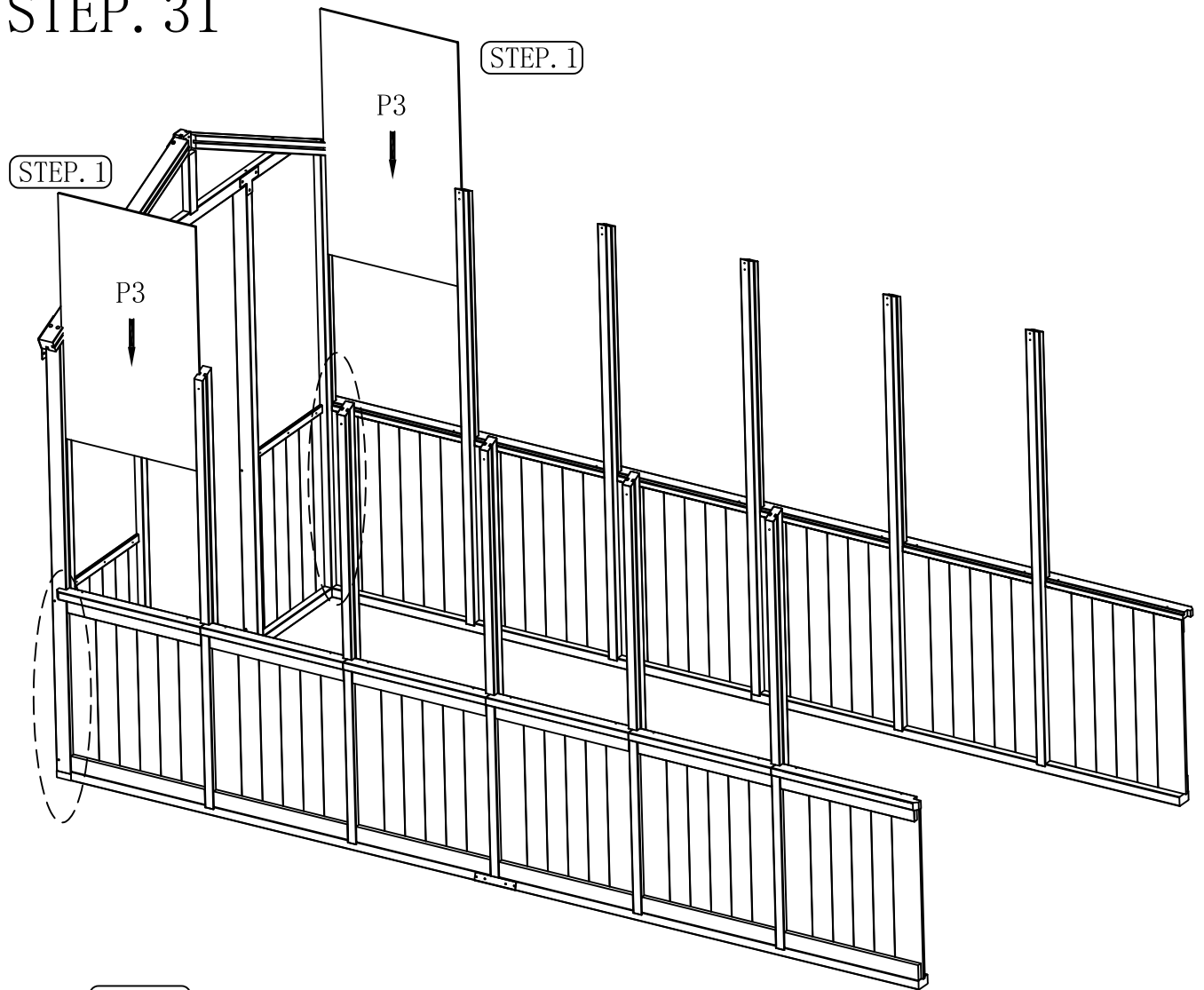


06R 2X



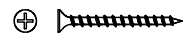
M4x50 BB-5 24X

STEP. 31



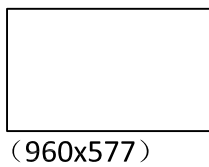
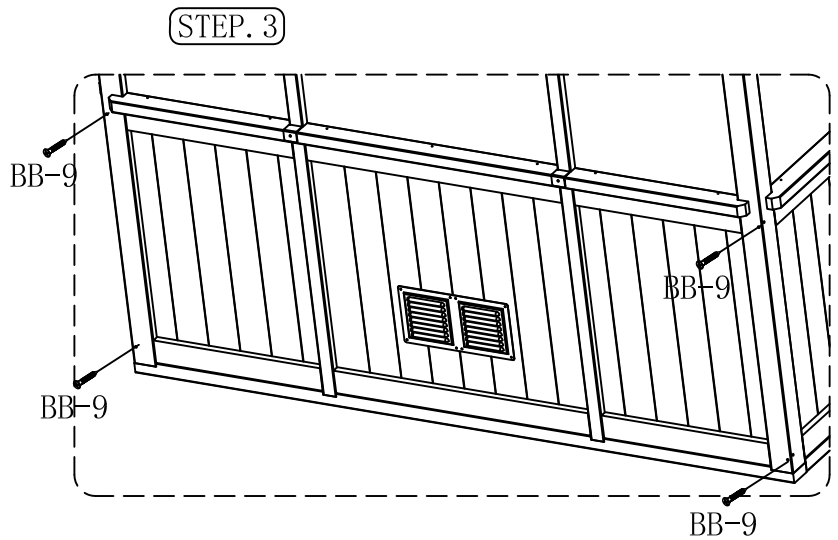
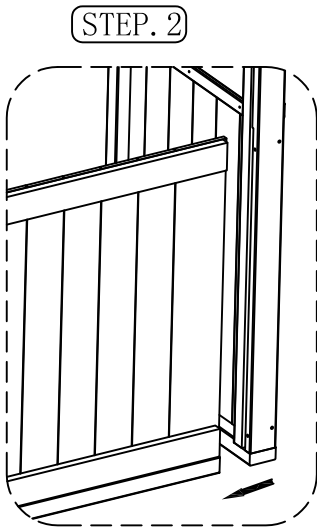
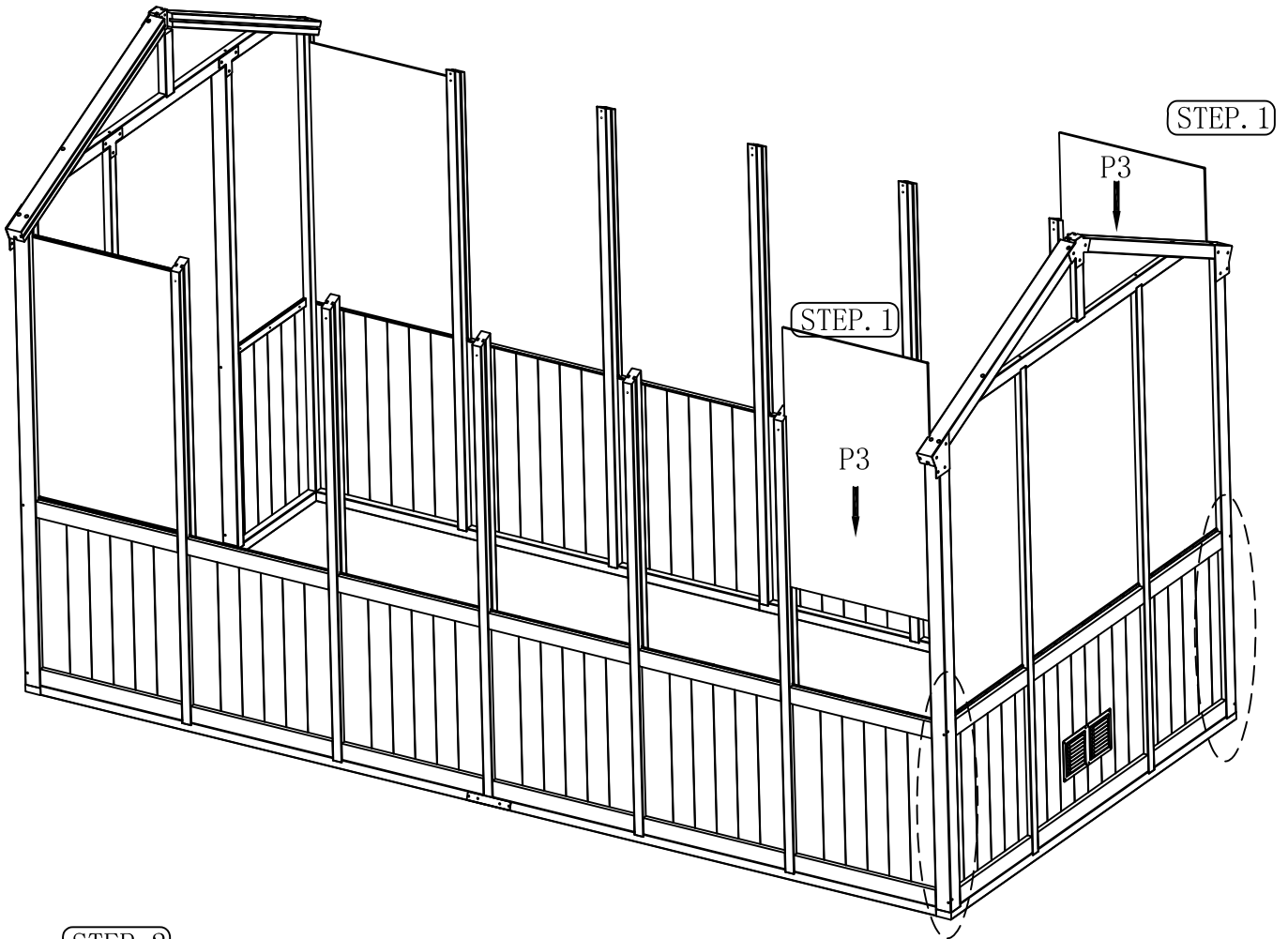
(960x577)

P3 2X

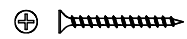


M4x90 BB-9 4X

STEP. 32

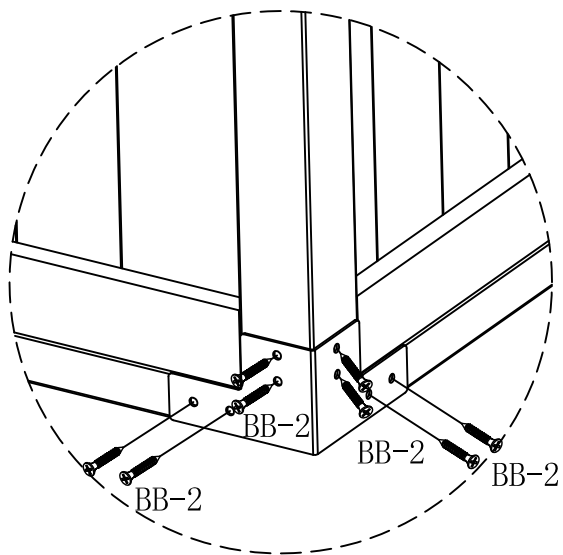
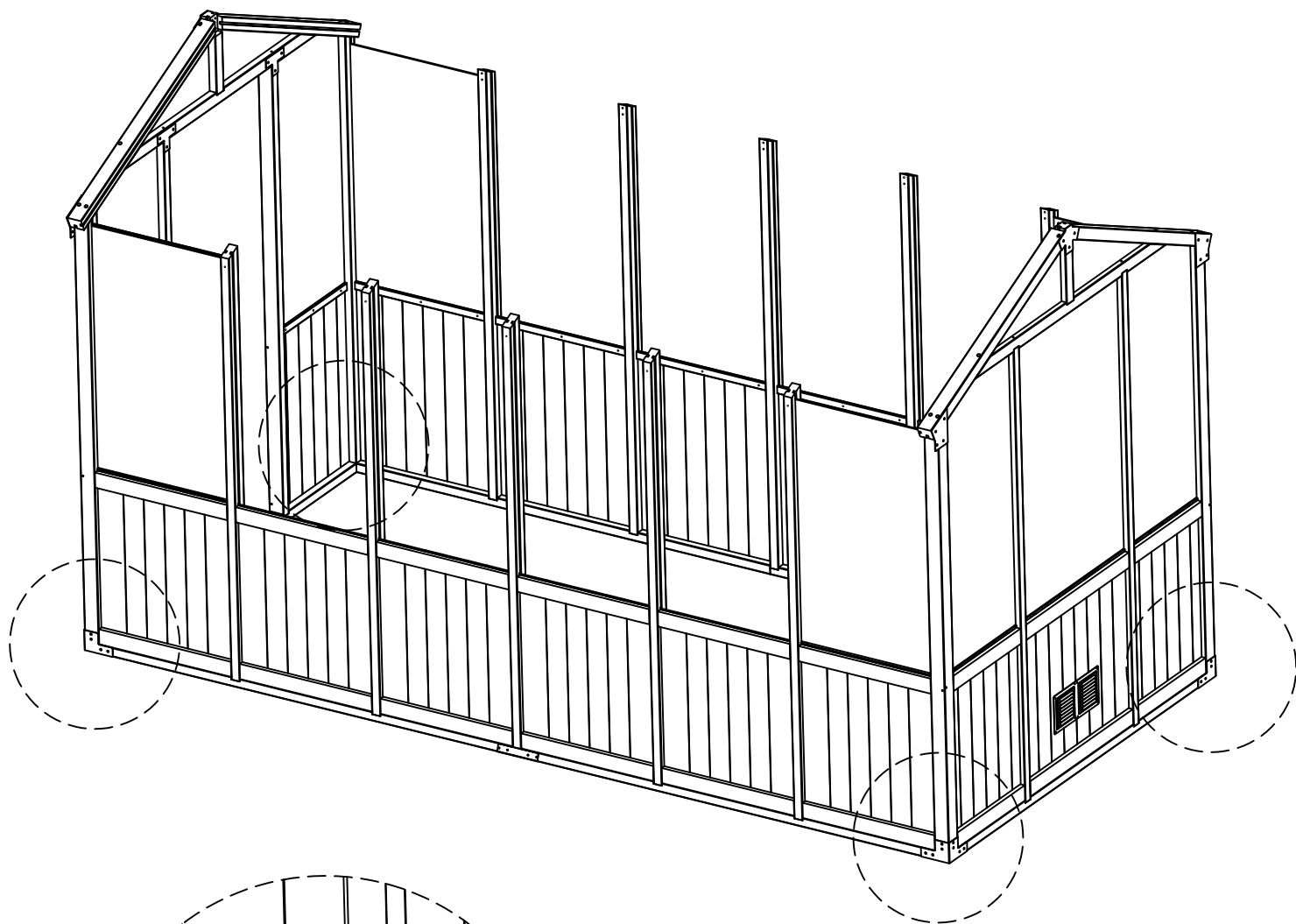


P3 2X



M4x90 BB-9 4X

STEP. 33

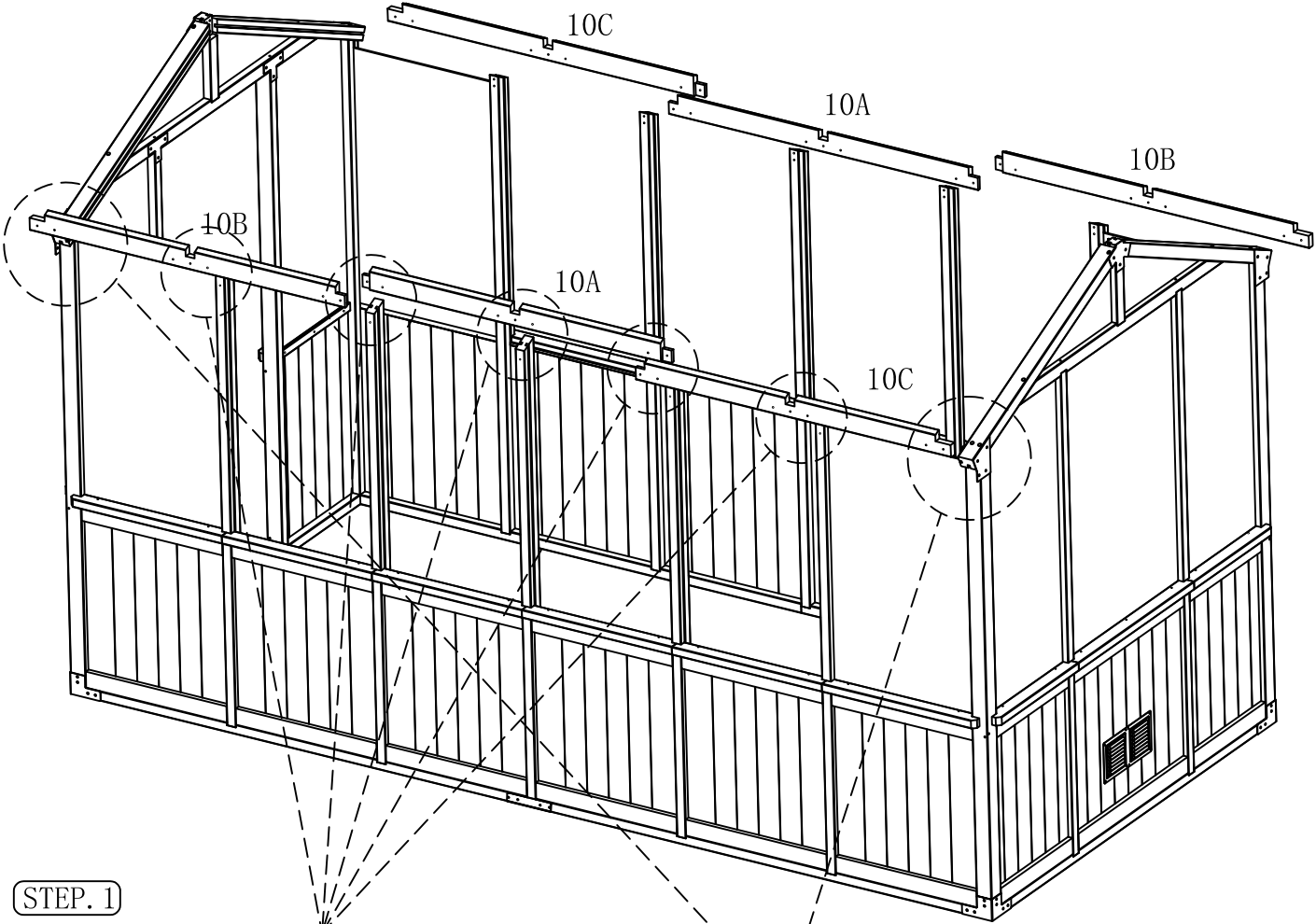


H2 4X

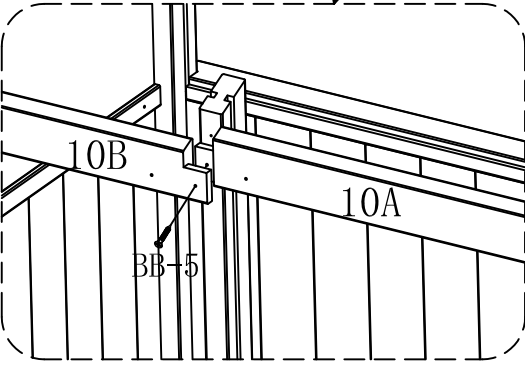


M4x25 BB-2 32X

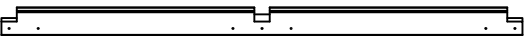
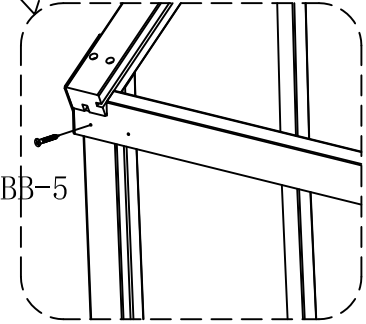
STEP. 34



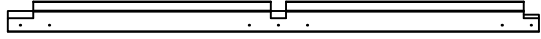
STEP. 1



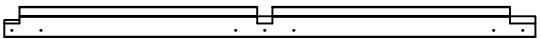
STEP. 2



10A 2X



10B 2X

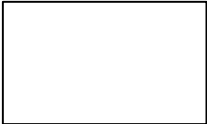
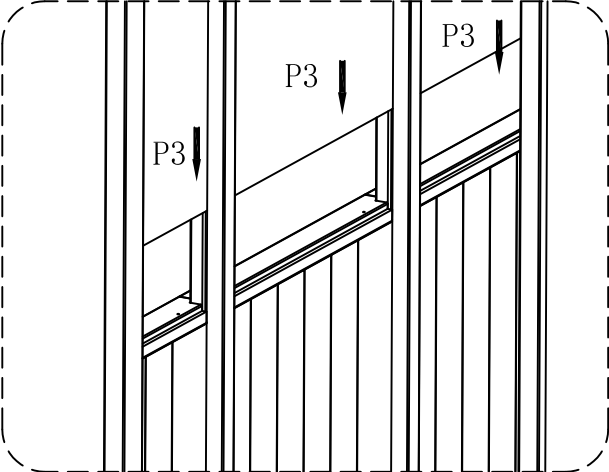
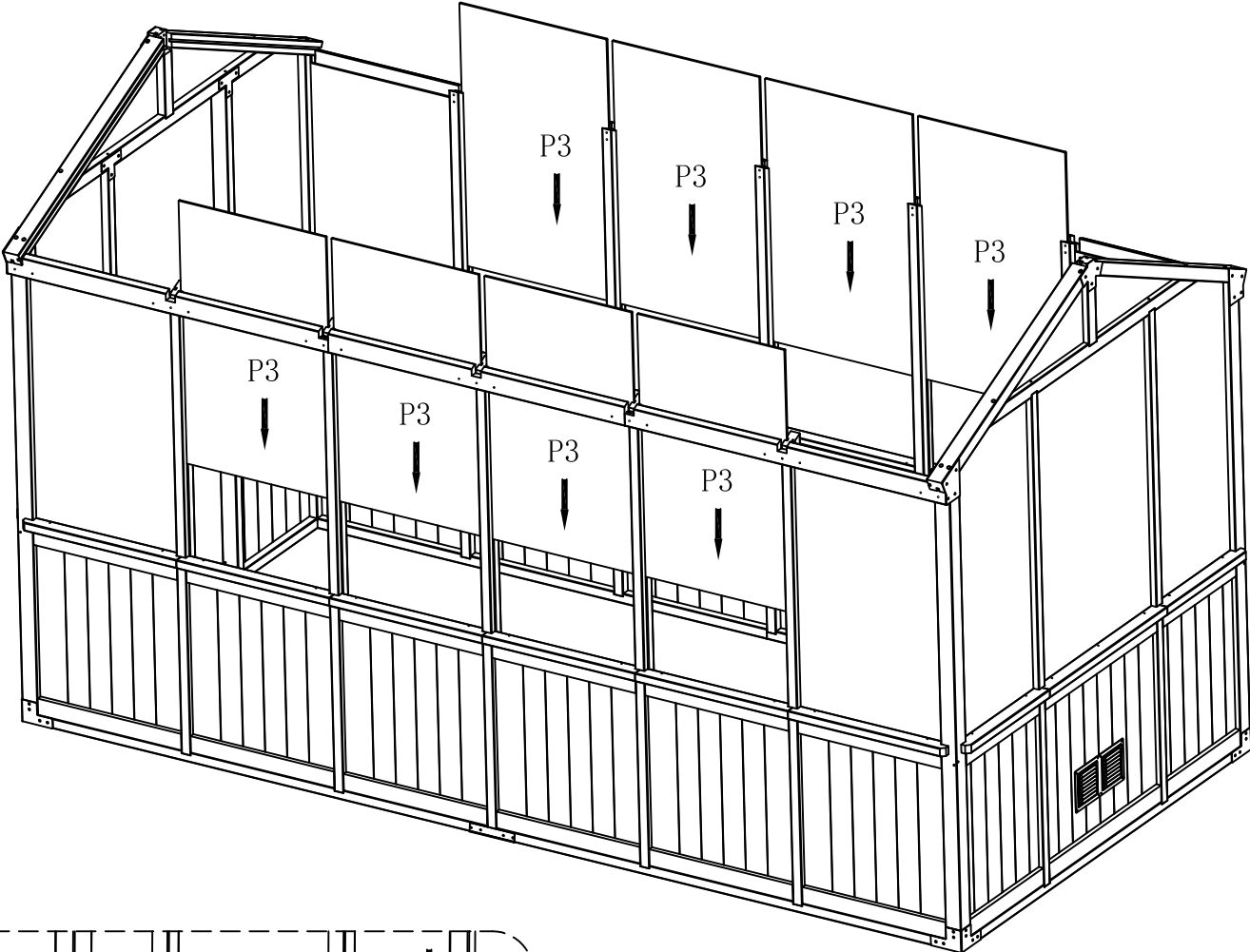


10C 2X



M4x50 BB-5 14X

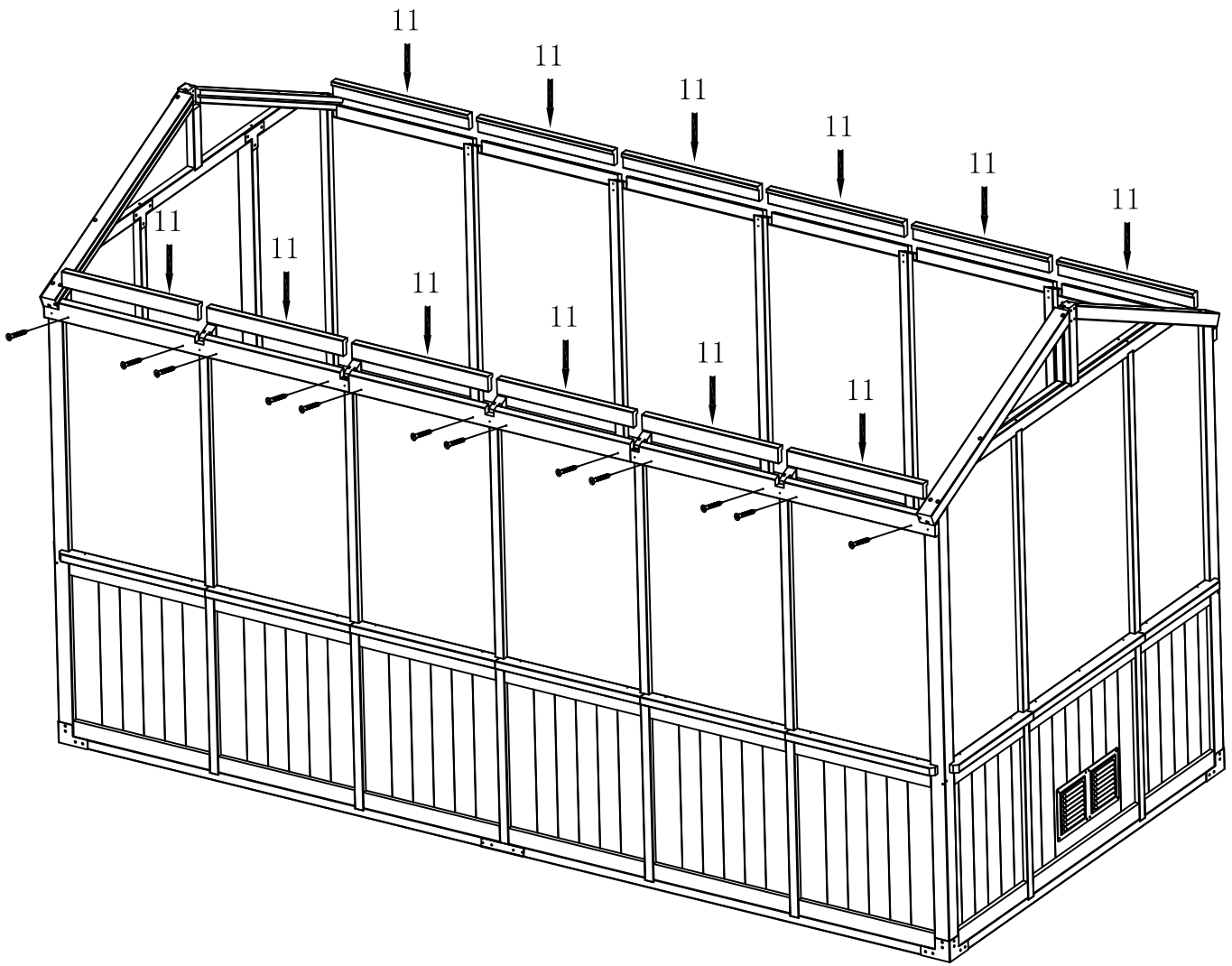
STEP. 35



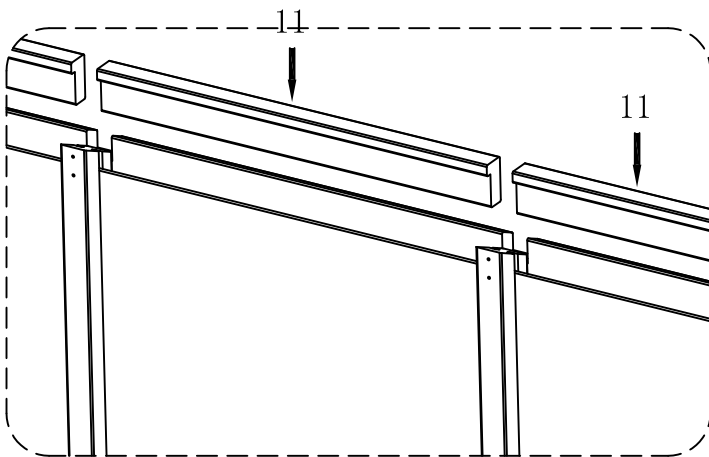
(960x577)

P3 8X

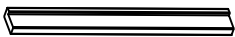
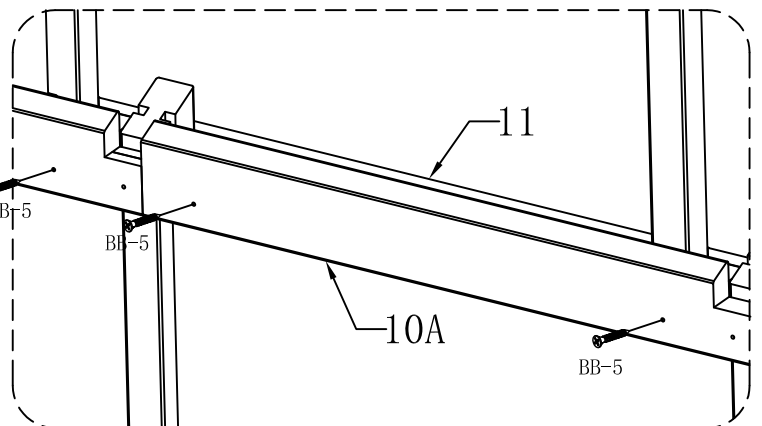
STEP. 36



STEP. 1



STEP. 2



11 12X

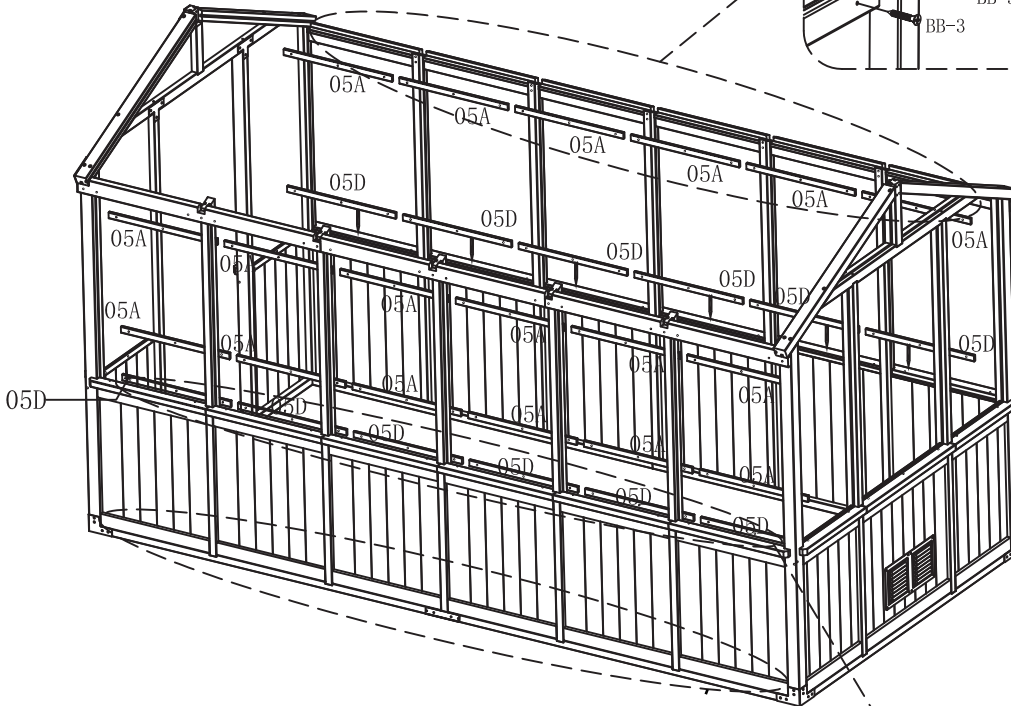
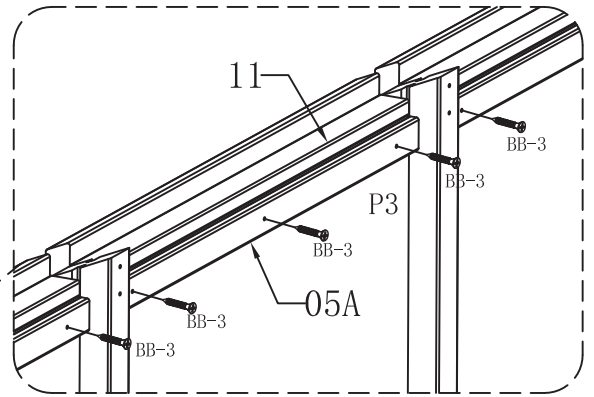


M4x50 BB-5 24X

STEP. 37

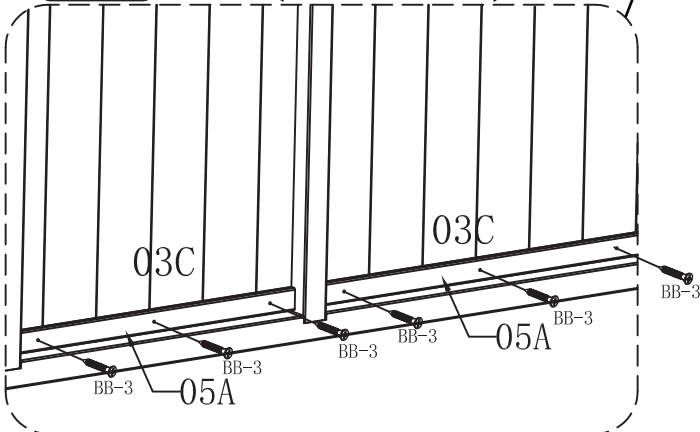
05A Parallel to the upper end (inner side) of P3.

(STEP. 1)



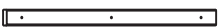
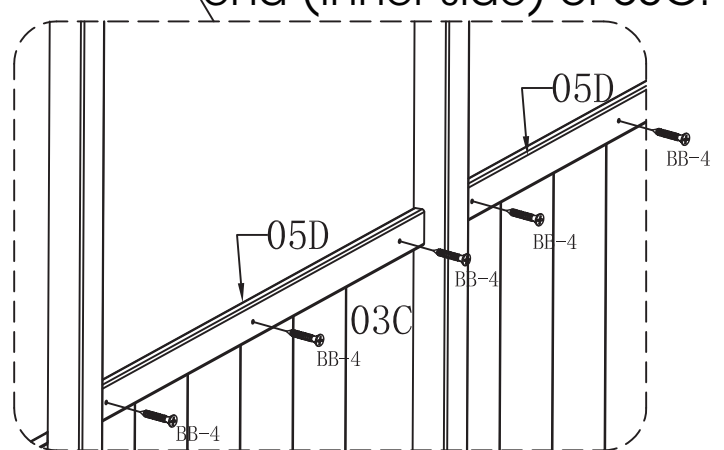
05A Parallel to the lower end (inner side) of 03C.

(STEP. 2)

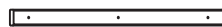


05D Parallel to the upper end (inner side) of 03C.

(STEP. 3)



05A 24X



05D 12X

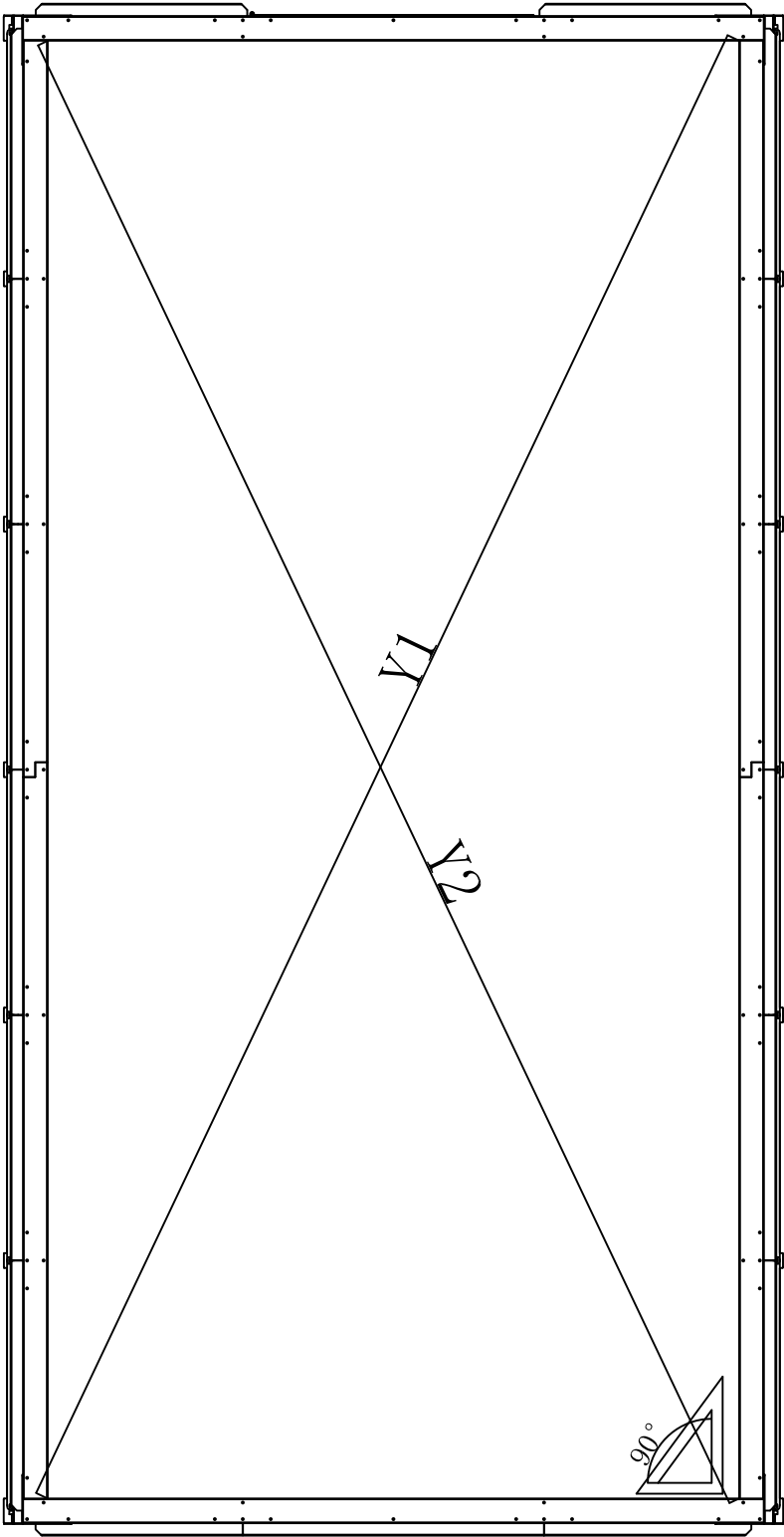


M4x40 BB-4 36X



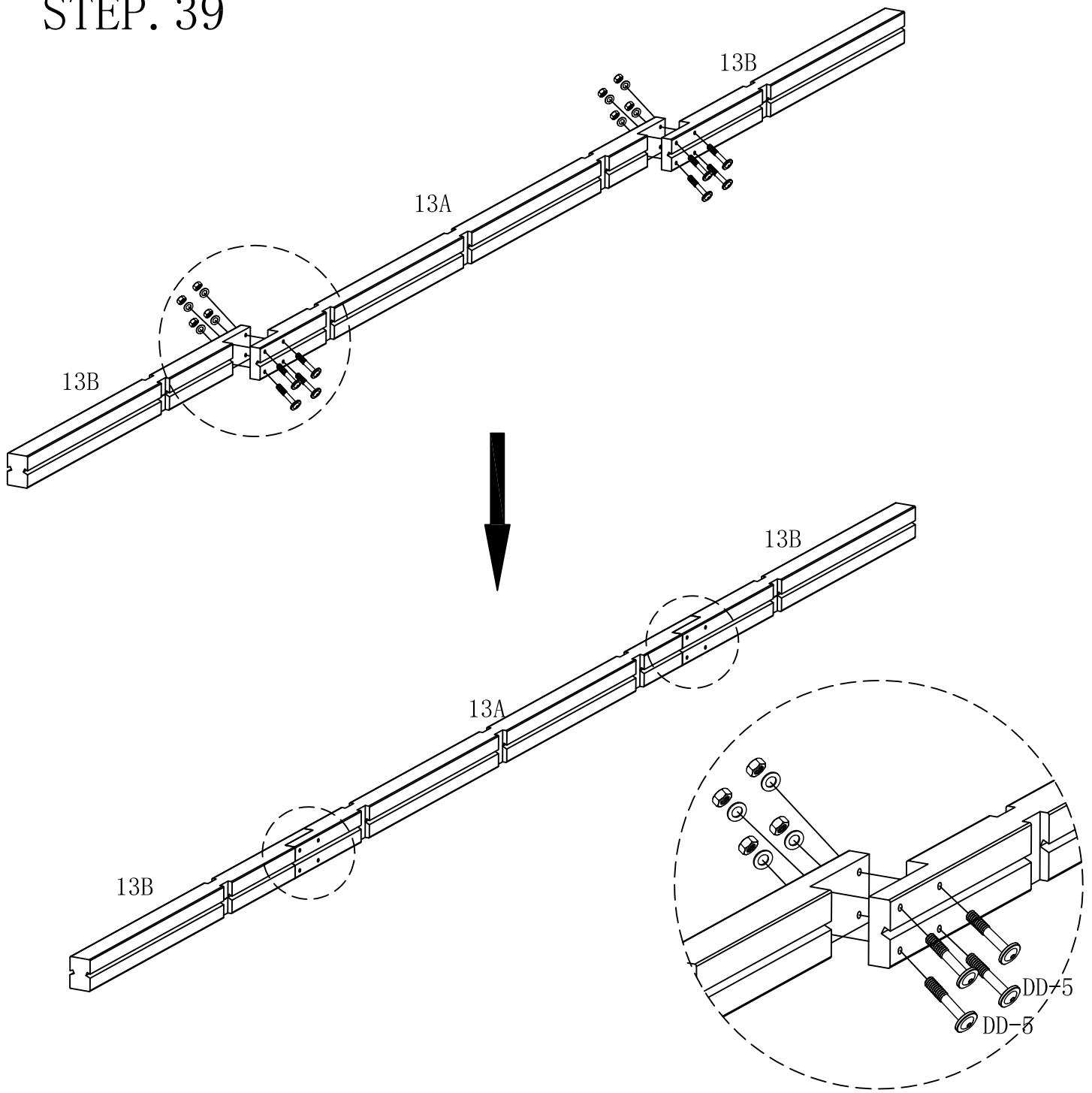
M4x30 BB-3 72X

STEP. 38



$$Y1=Y2$$

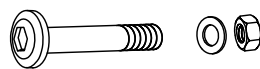
STEP. 39



13A 1X

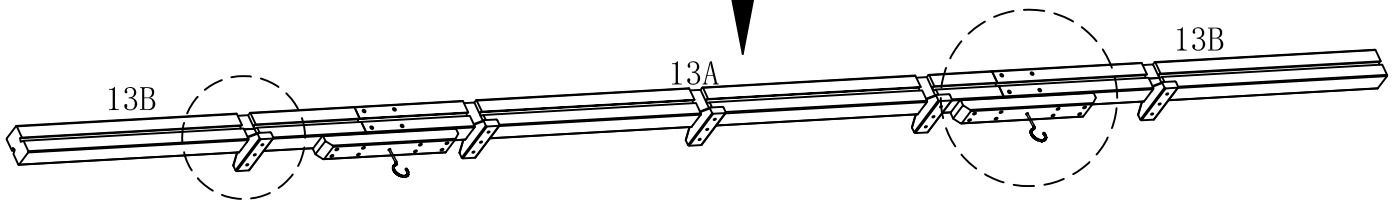
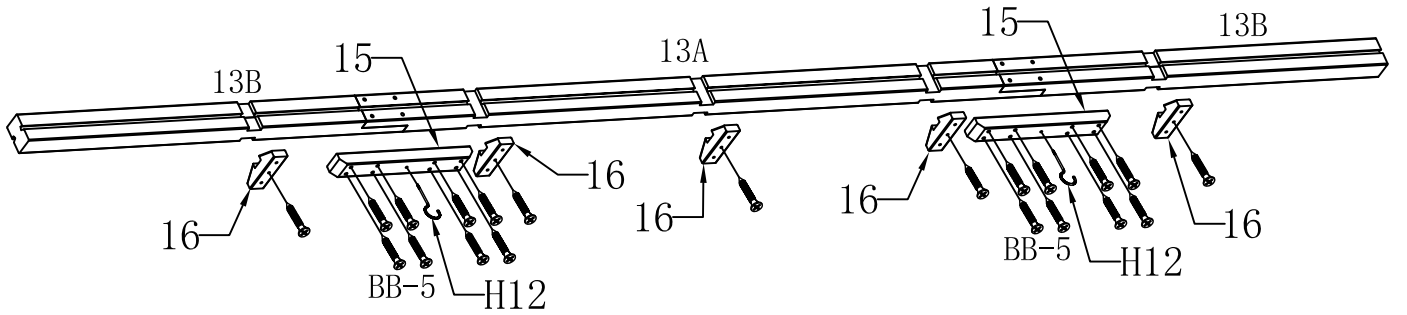


13B 2X

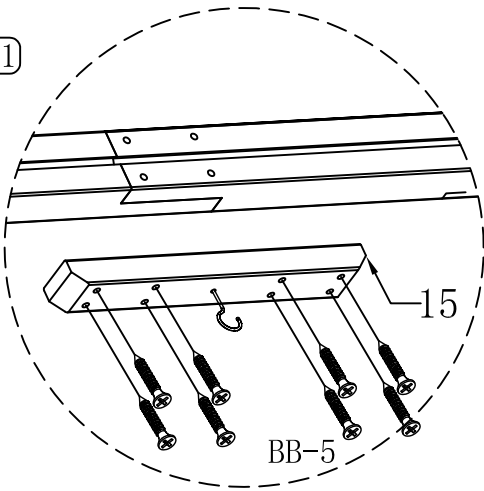


M6x55 DD-5 8X

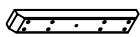
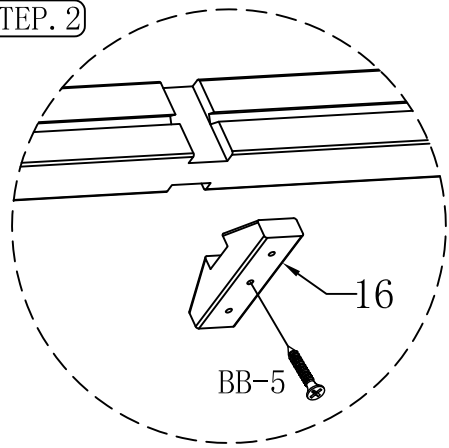
STEP. 40



STEP. 1



STEP. 2



15 2X



16 5X

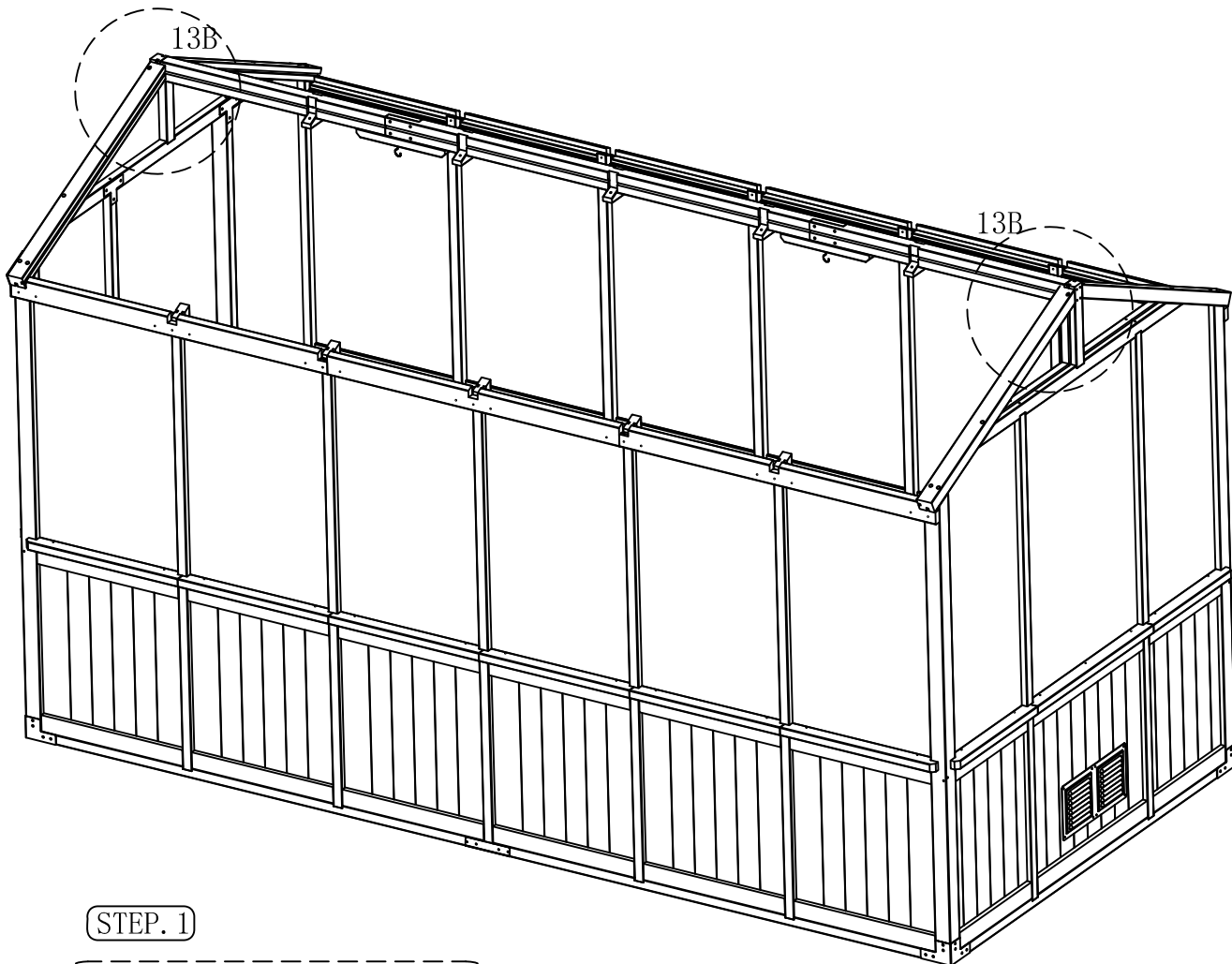


H12 2X

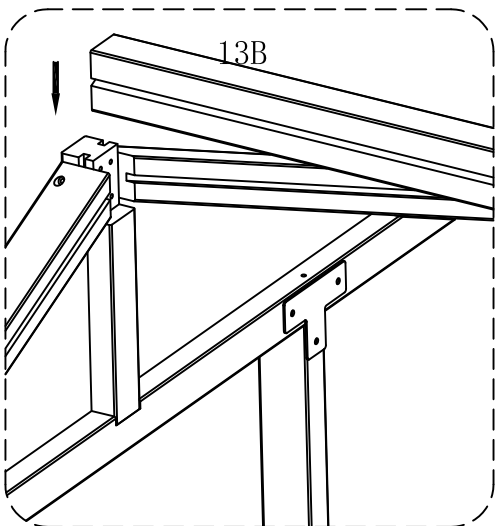


M4x50 BB-5 21X

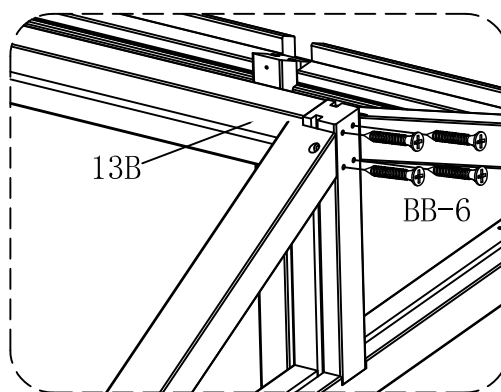
STEP. 41



STEP. 1

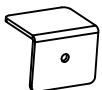
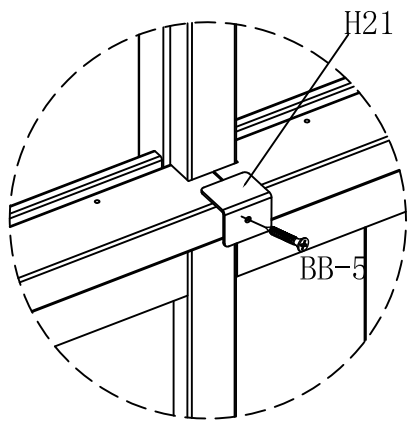
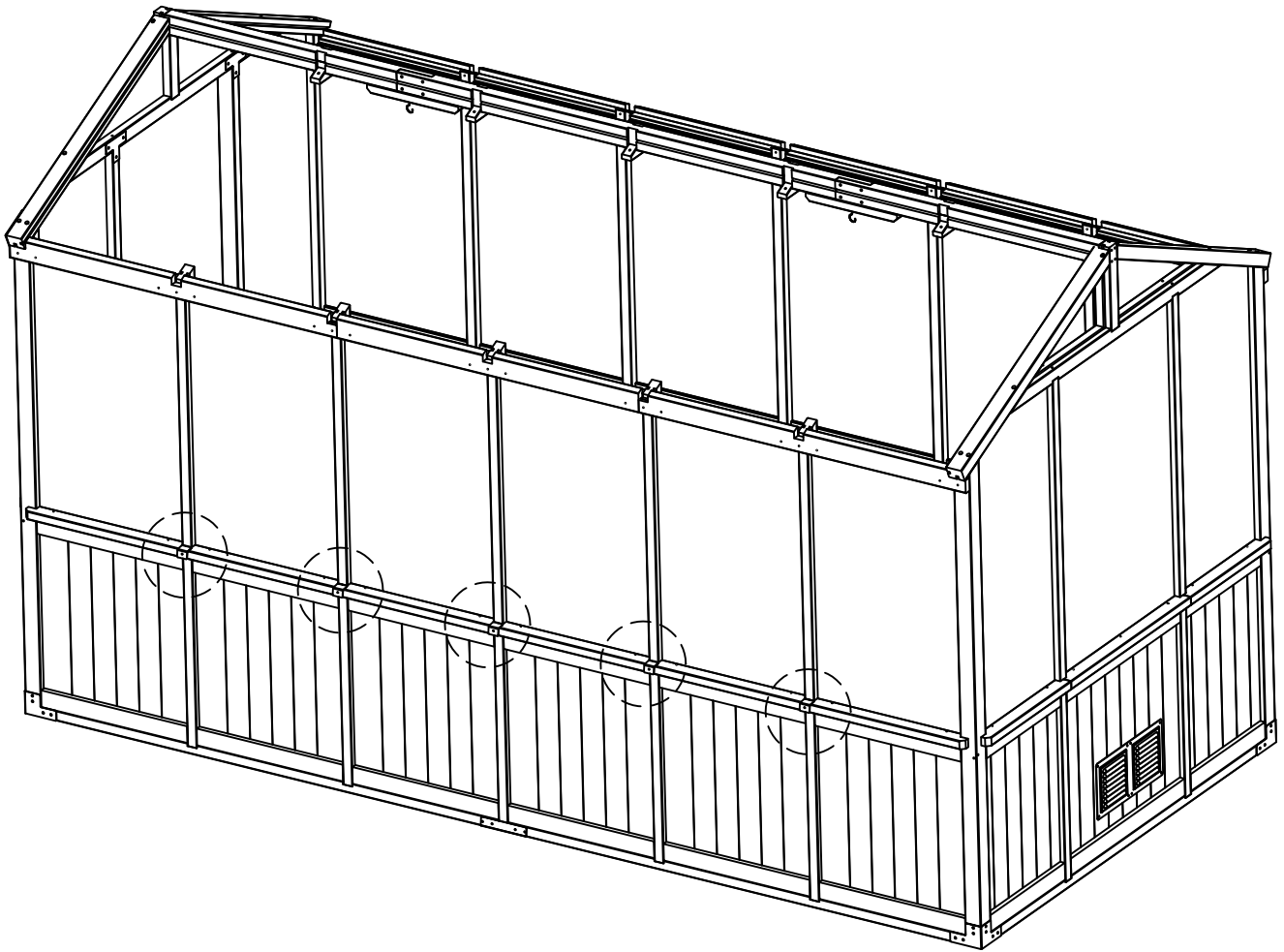


STEP. 2



M4x60 BB-6 8X

STEP. 42

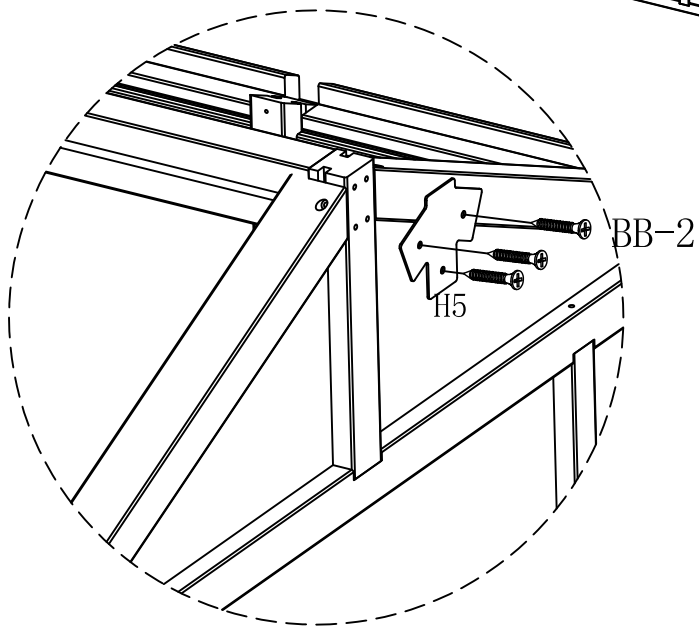
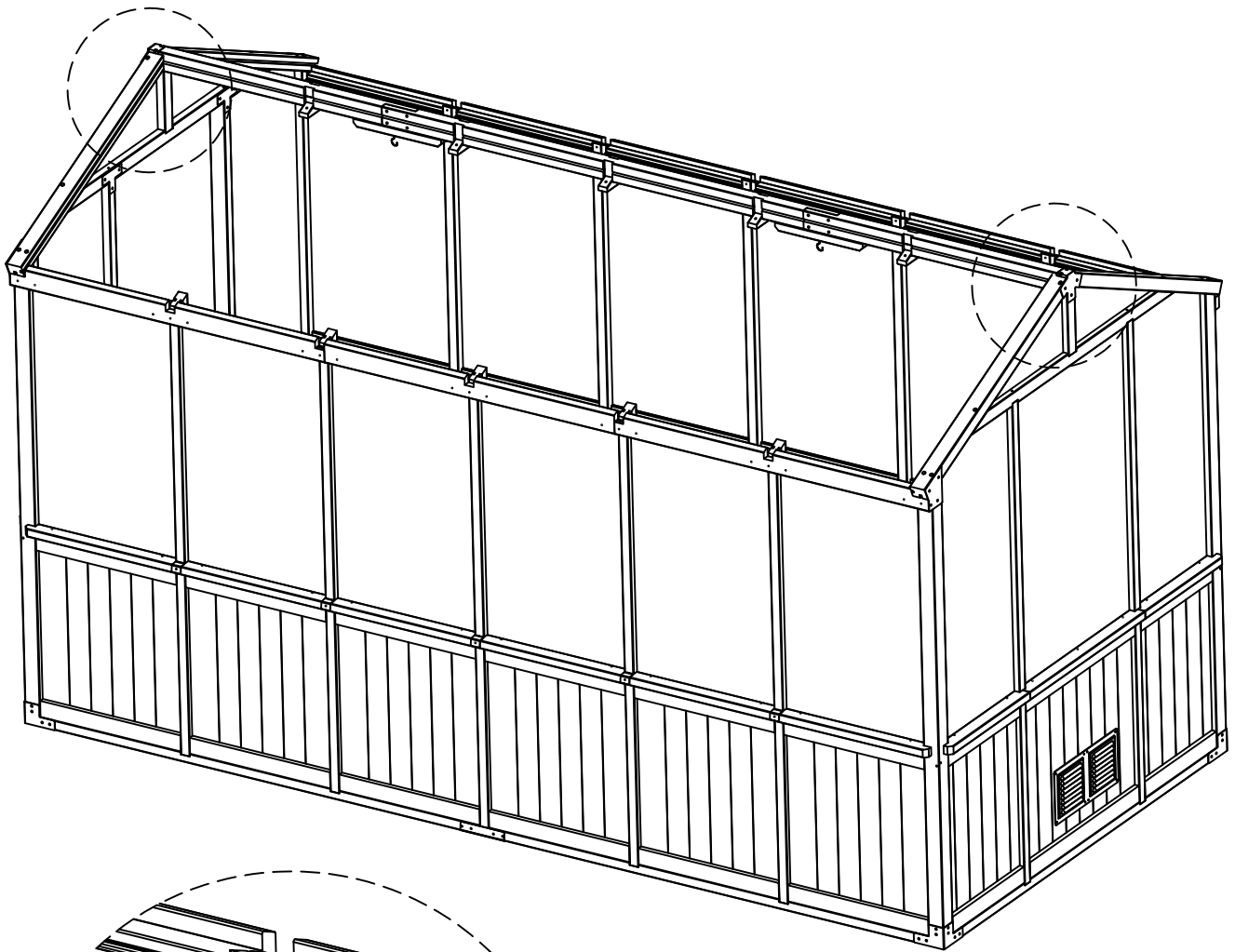


(H21) 10X



M4x50 (BB-5) 10X

STEP. 43

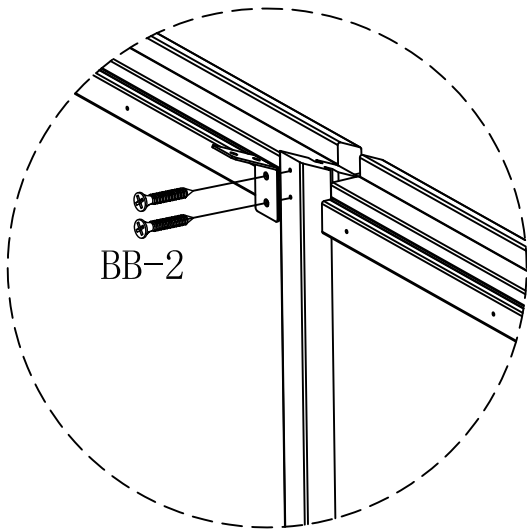
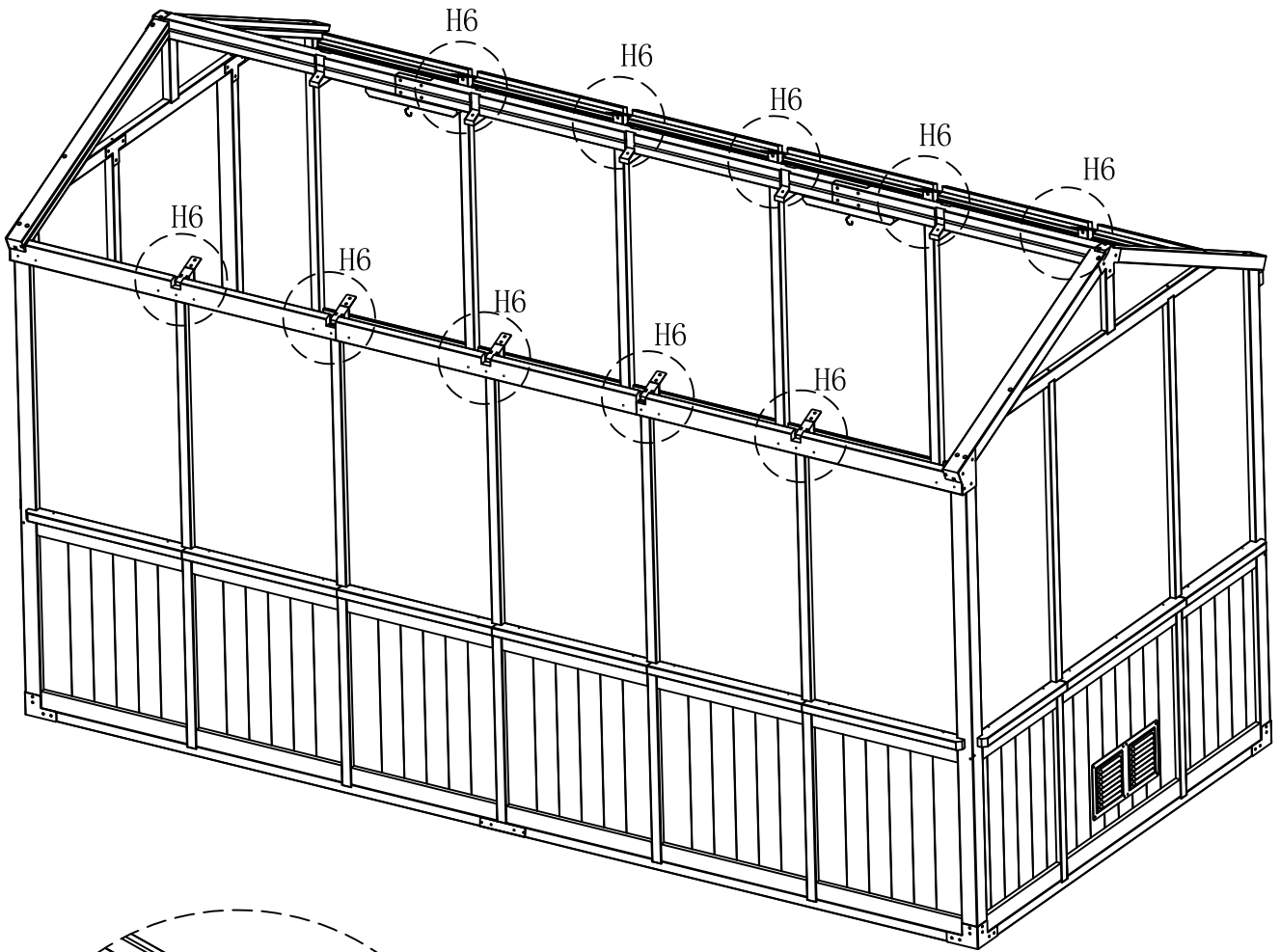



H5 2X


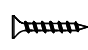


M4x25 BB-2 6X

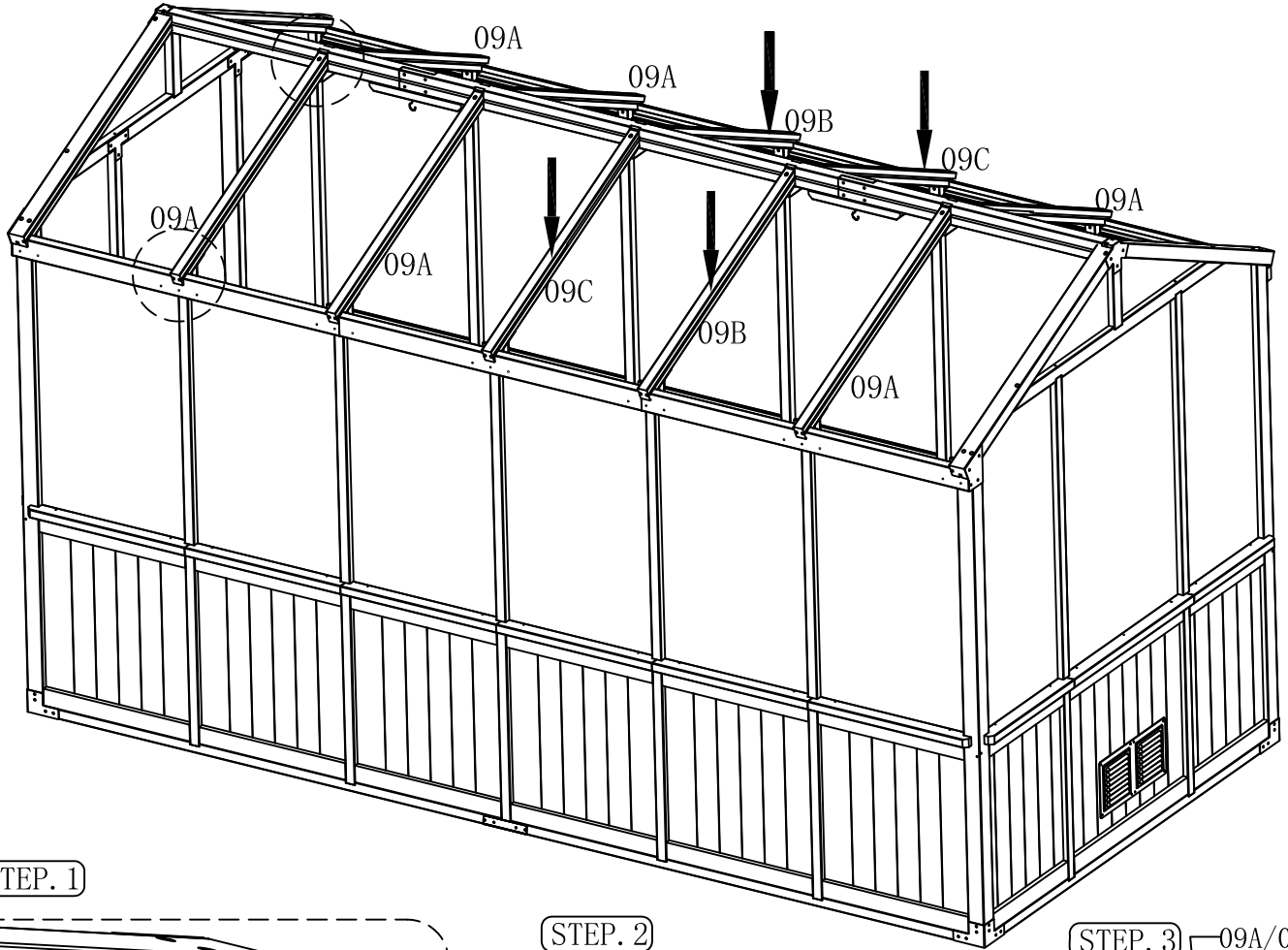
STEP. 44



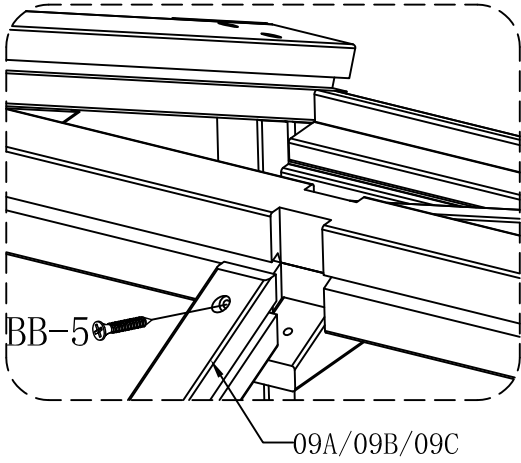

H6 10X

 
M4x25 BB-2 20X

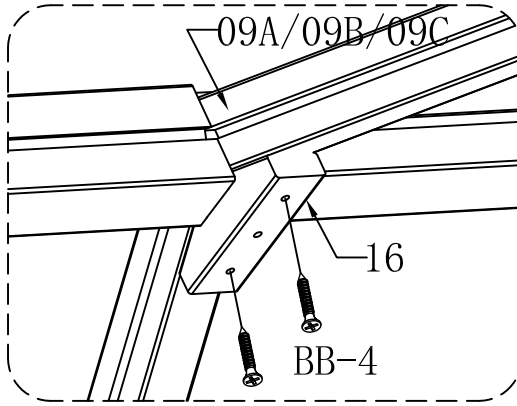
STEP. 45



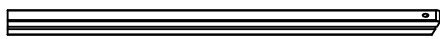
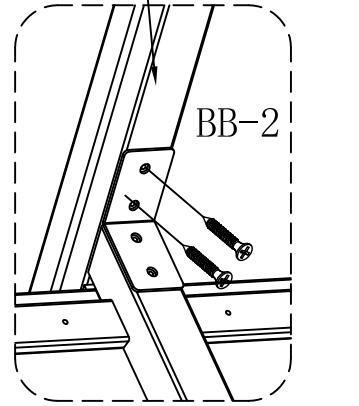
STEP. 1



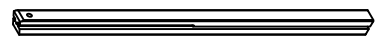
STEP. 2



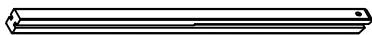
STEP. 3



09A 6X



09B 2X



09C 2X



M4x25 BB-2 20X



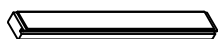
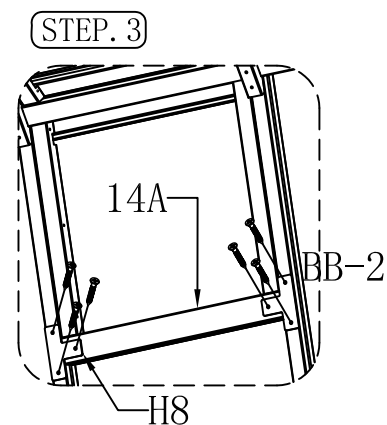
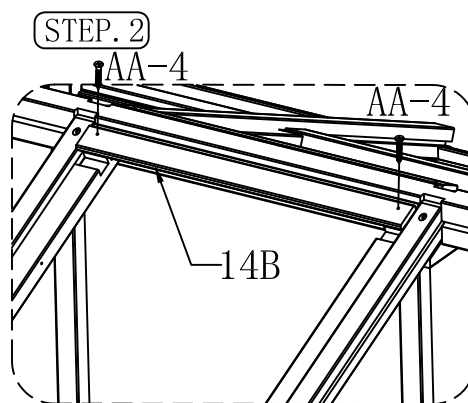
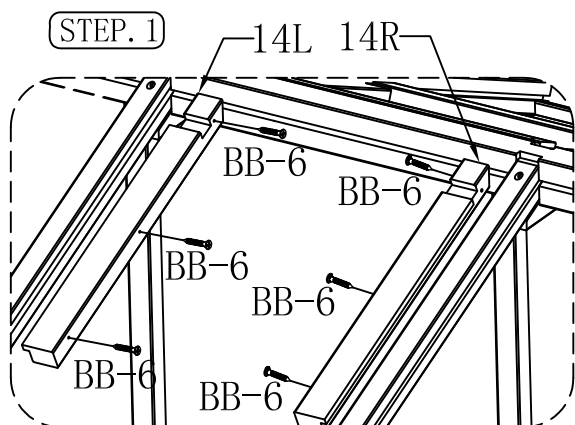
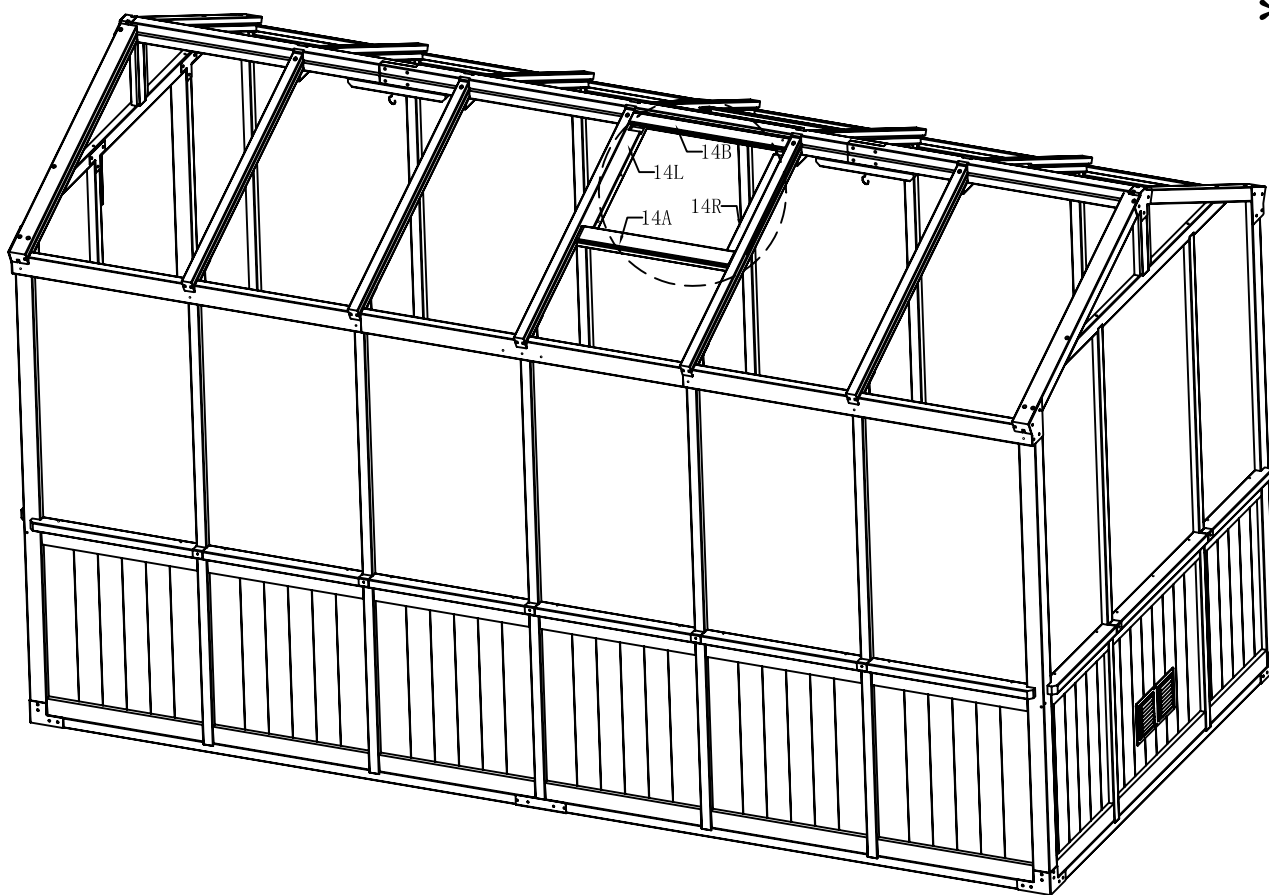
M4x40 BB-4 10X



M4x50 BB-5 10X

STEP. 46

*2



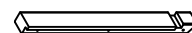
(14A) 2X



(14B) 2X



(14L) 2X



(14R) 2X



(H8) 4X



M3x40 (AA-4) 4X



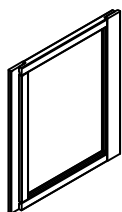
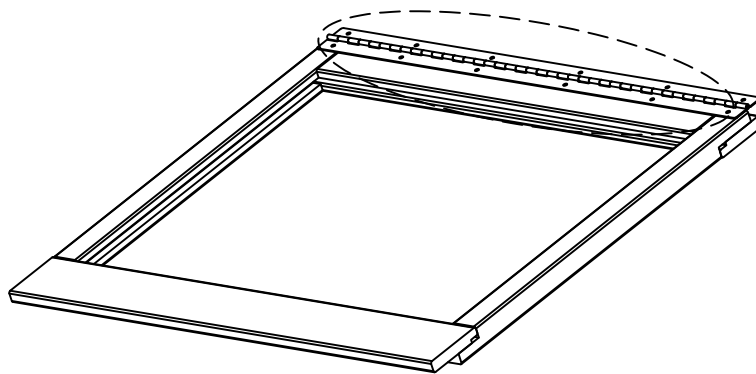
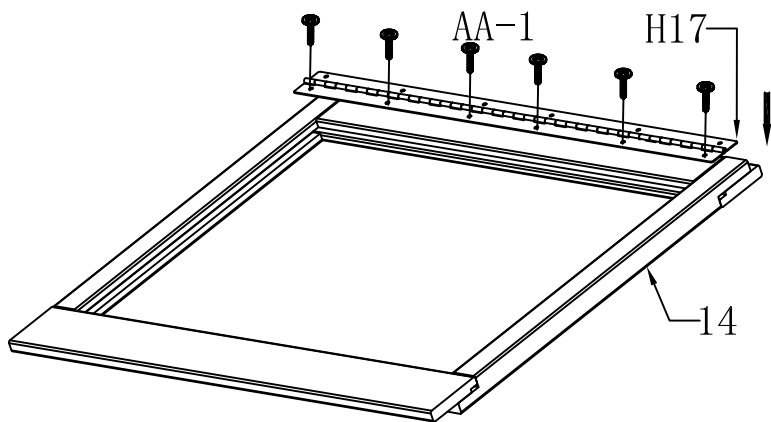
M4x60 (BB-6) 12



M4x25 (BB-2) 12X

STEP. 47

*2



14 2X



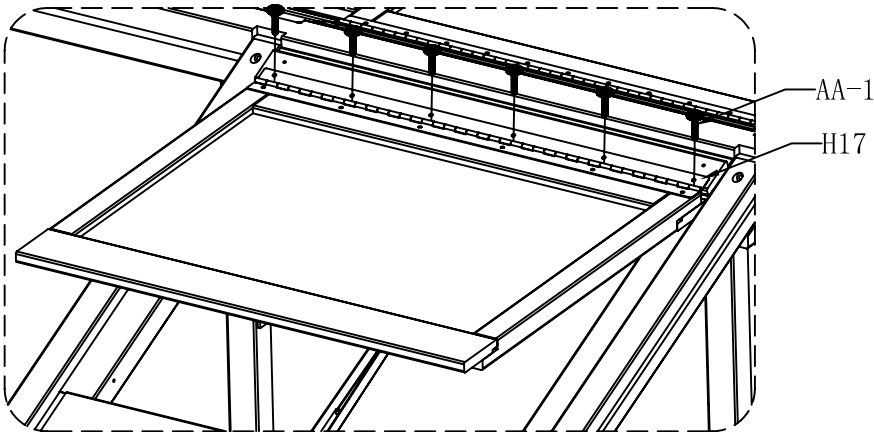
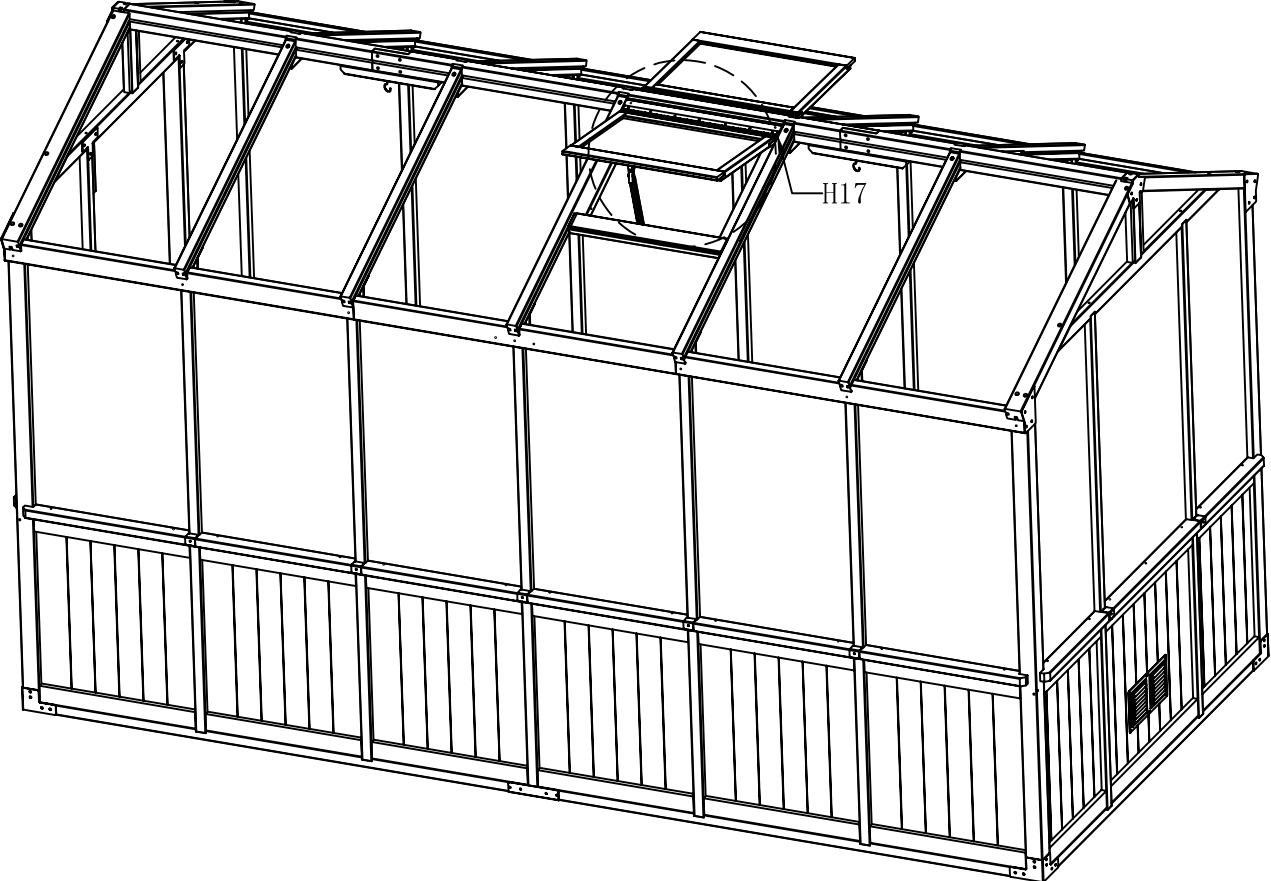
H17 2X



M3x20 AA-1 12X

STEP. 48

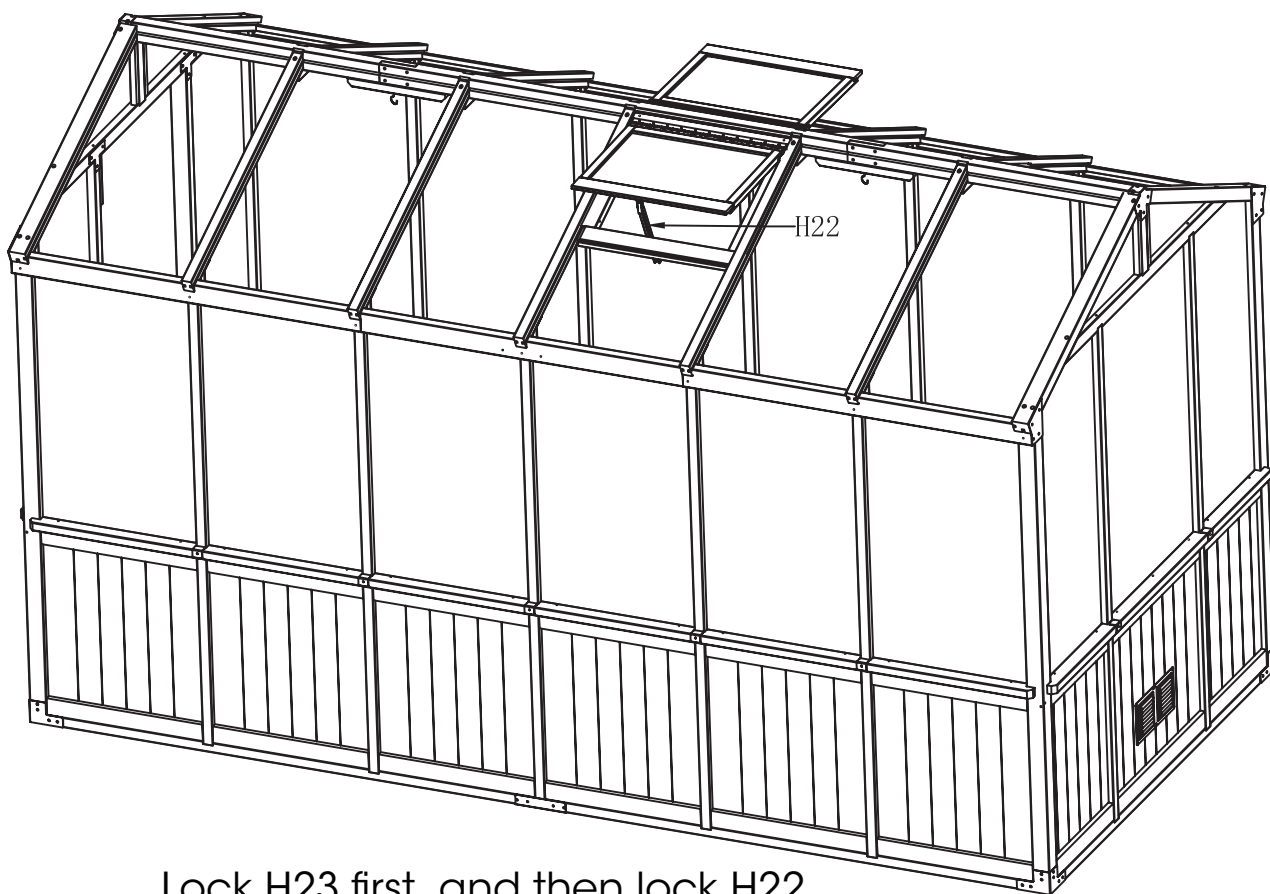
*2



M3x20 (AA-1) 12X

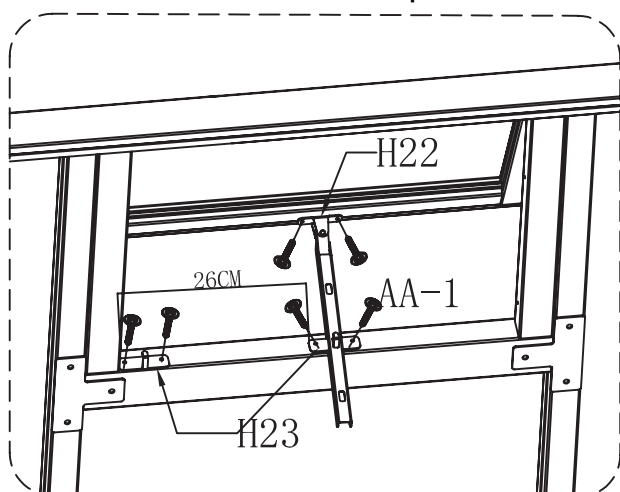
STEP. 49

*2

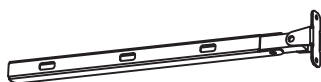
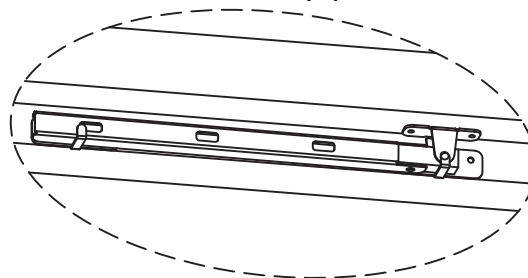


Lock H23 first, and then lock H22

STEP. 1 based on the position of H23.



STEP. 2 The effect of retracting the support rods.



H22 2X

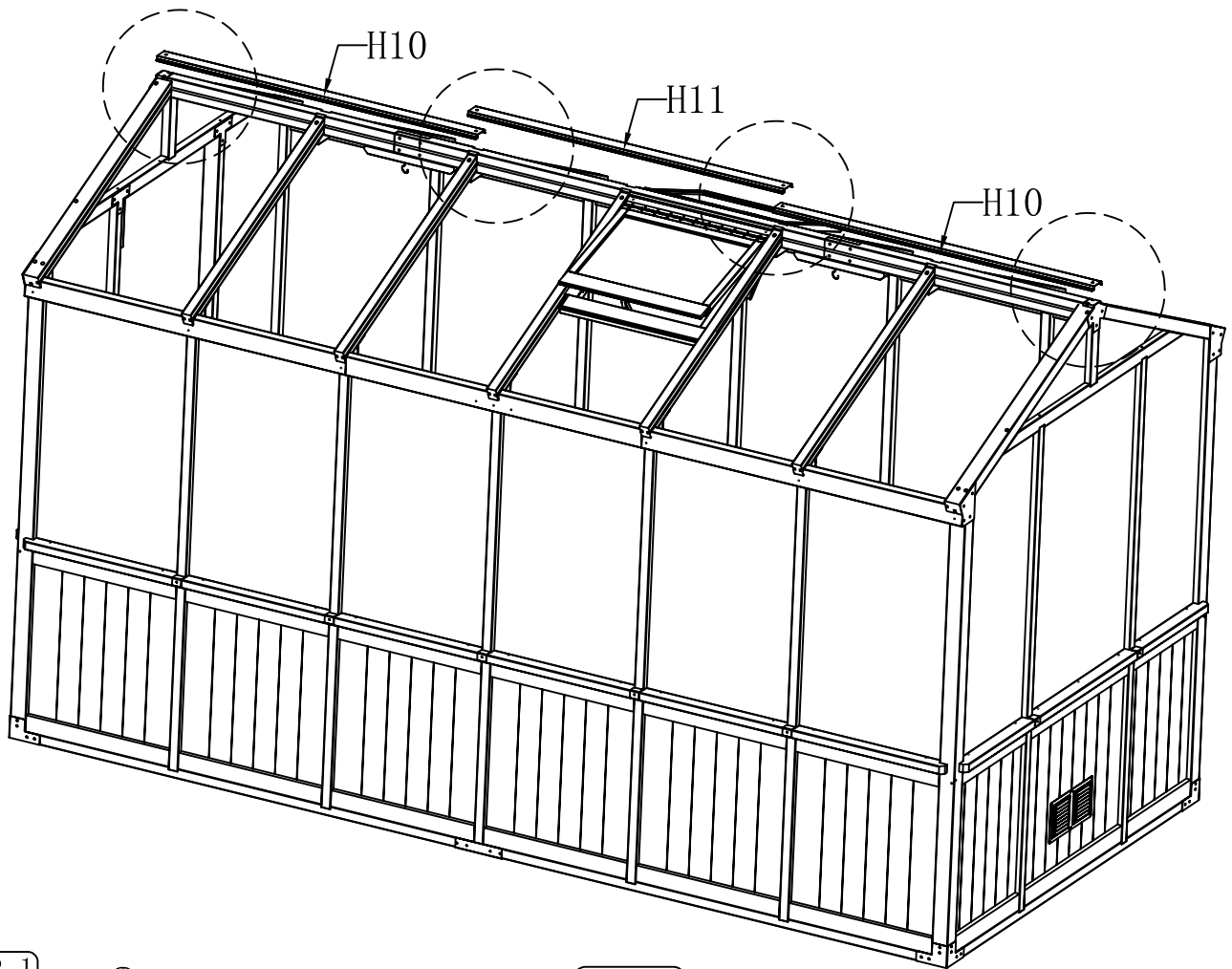


H23 4X

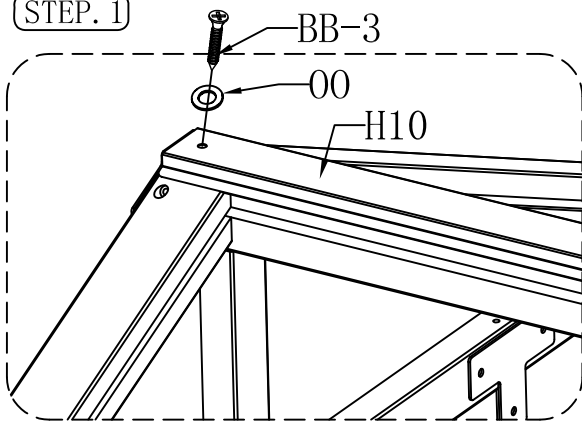


M3x20 AA-1 12X

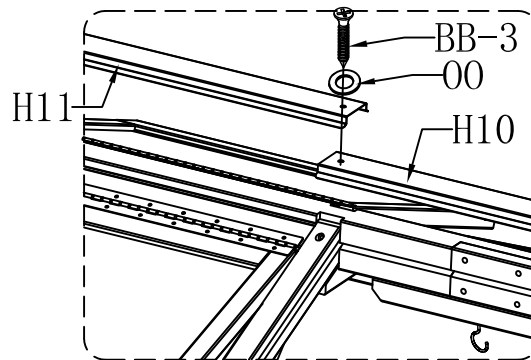
STEP. 50



STEP. 1



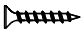
STEP. 2



H10 2X

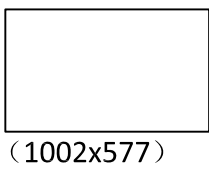
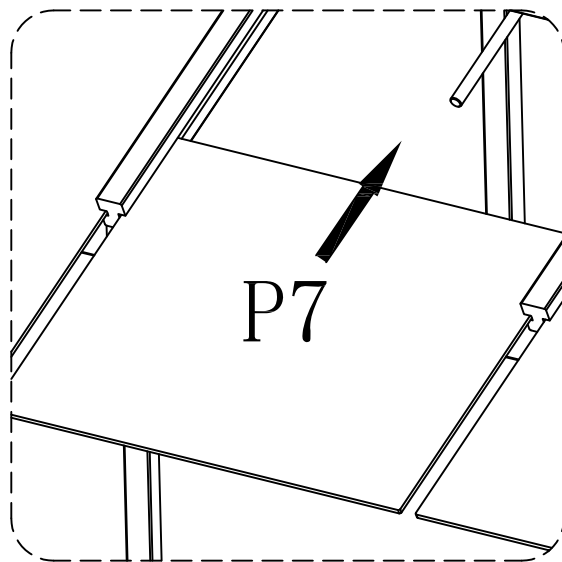
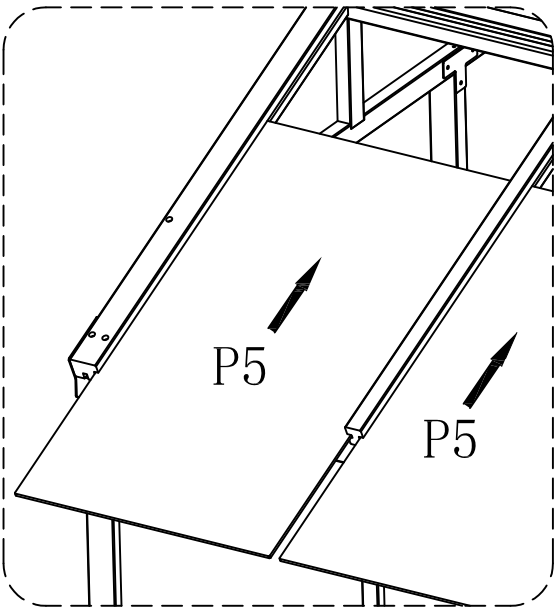
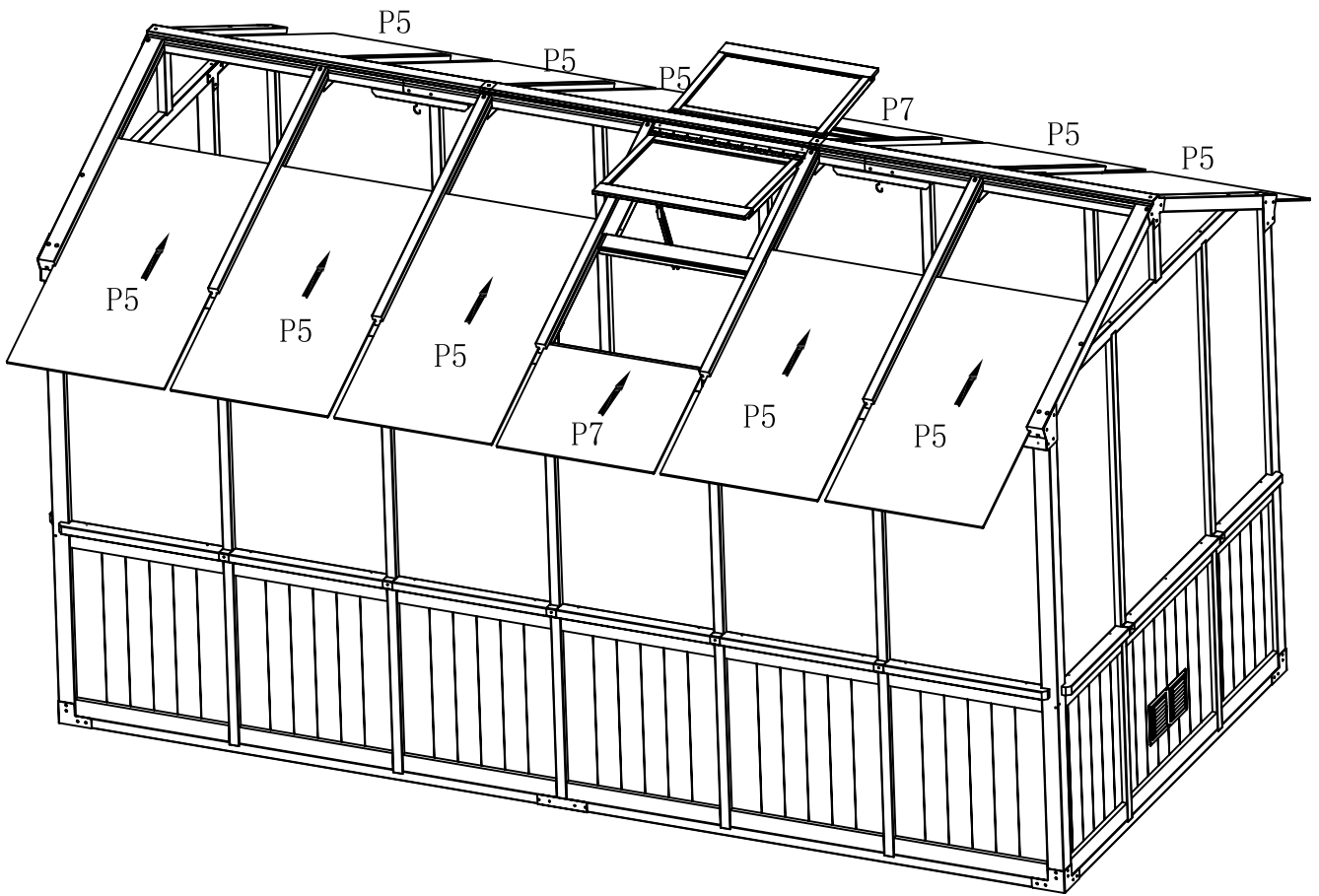


H11 1X

⊕ 
M4x30 BB-3 4X

⊙
M5 OO 4X

STEP. 51

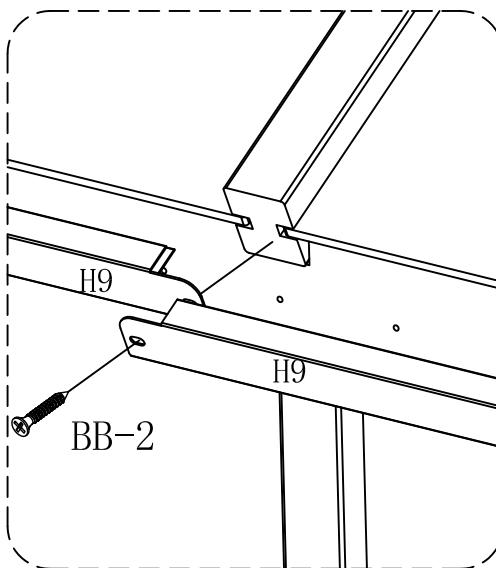
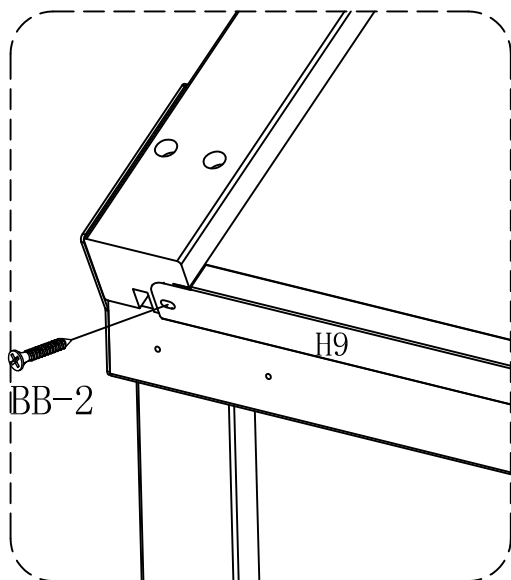
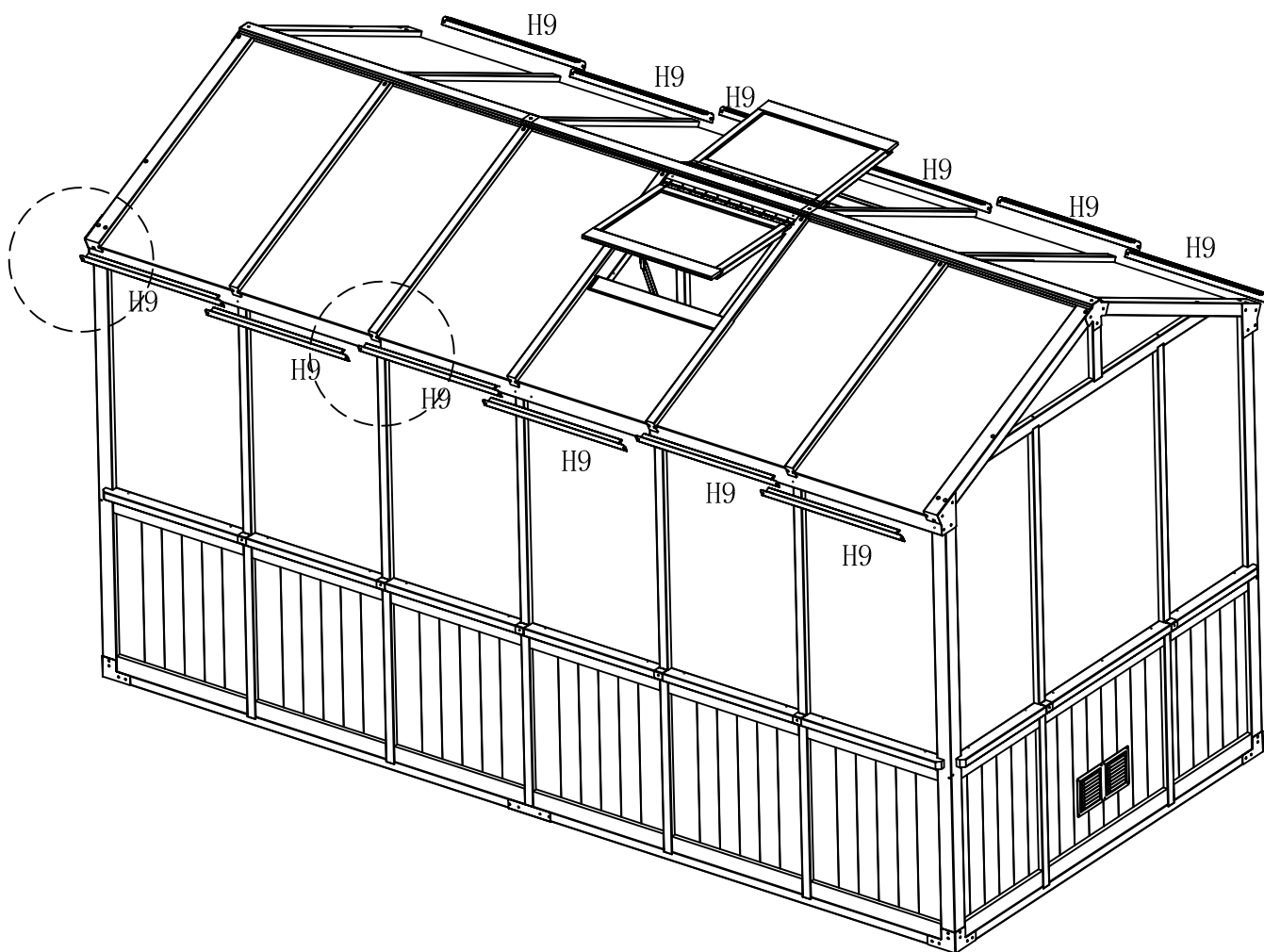


P5 10X



P7 2X

STEP. 52

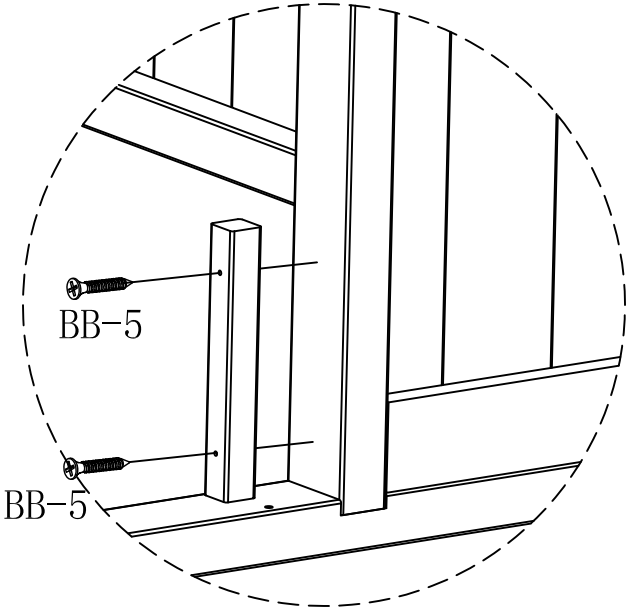
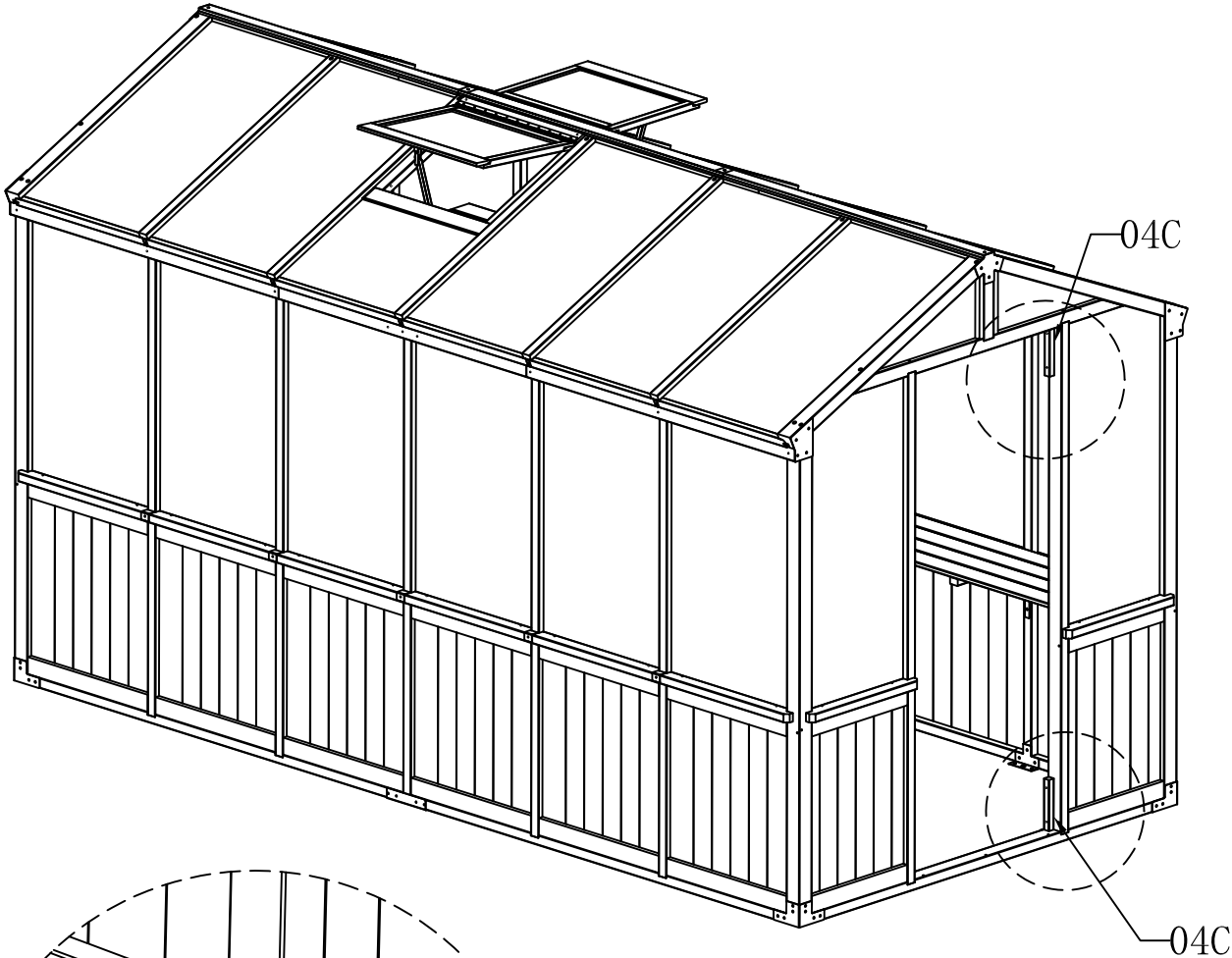


H9 12X



M4x25 BB-2 14X

STEP. 53

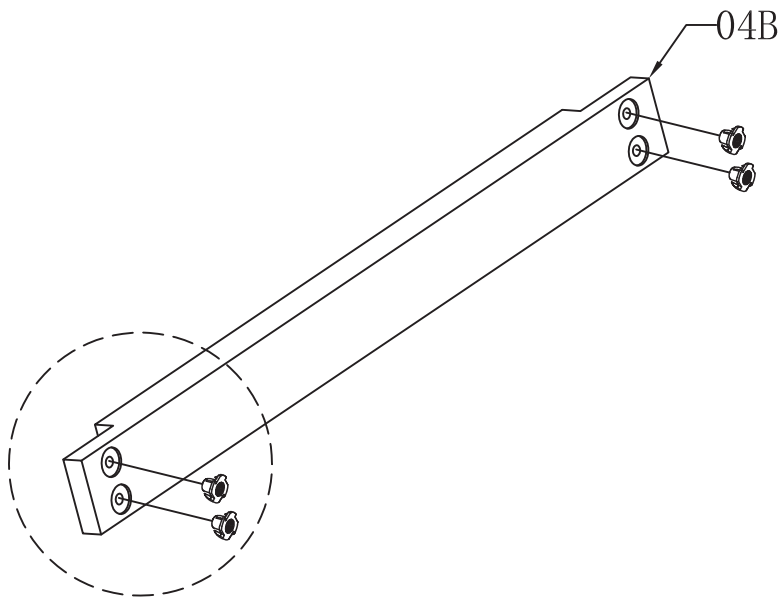
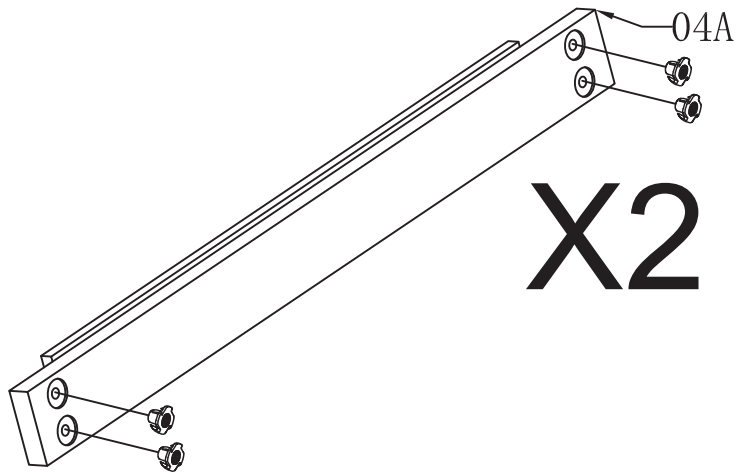


04C 2X

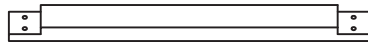


M4x50 BB-5 4X

STEP. 54



04A 2X

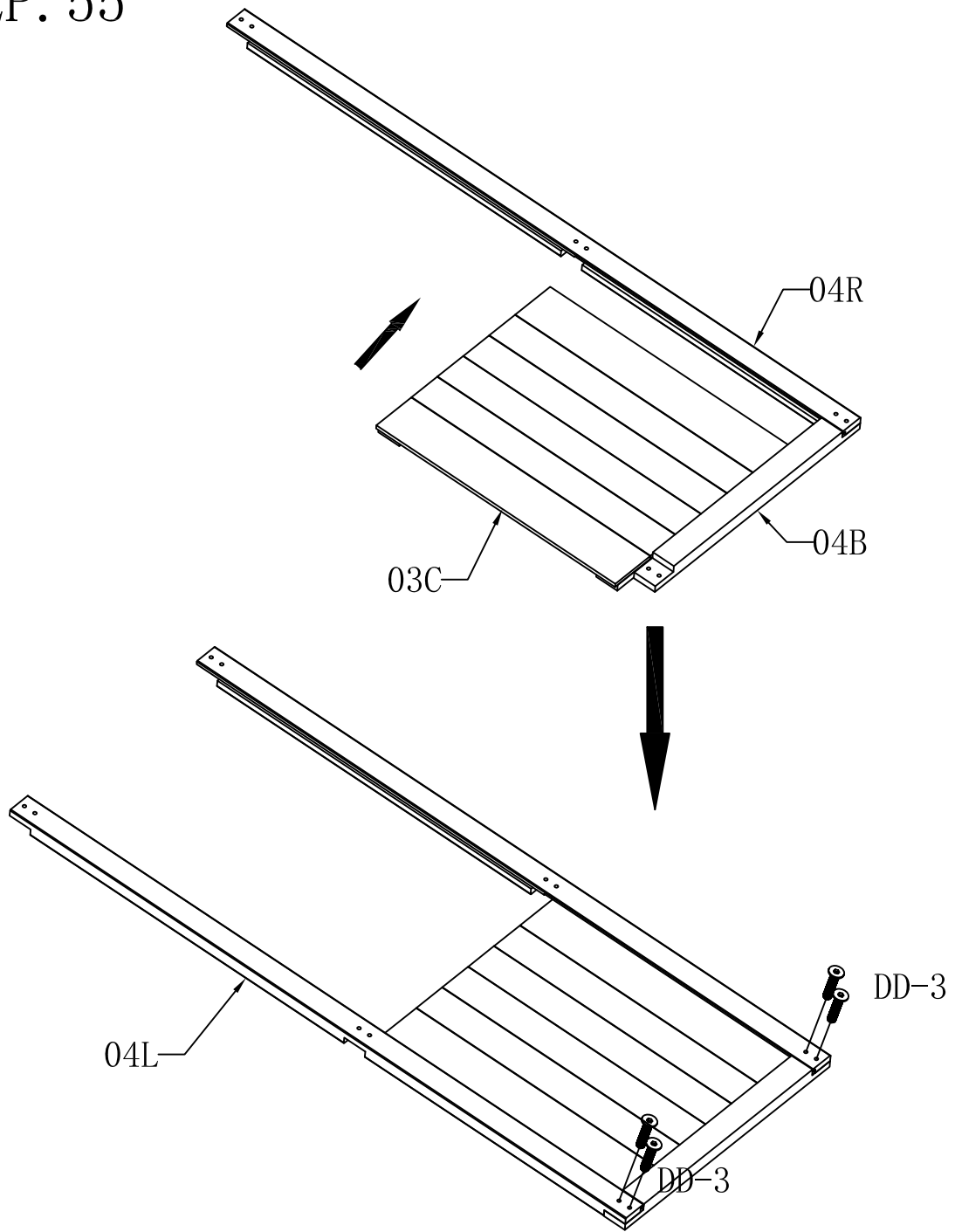


04B 1X

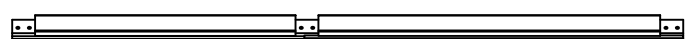


M6X10 MM-1 12X

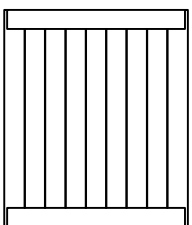
STEP. 55



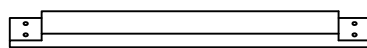
04L 1X



04R 1X



03C 1X

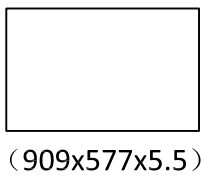
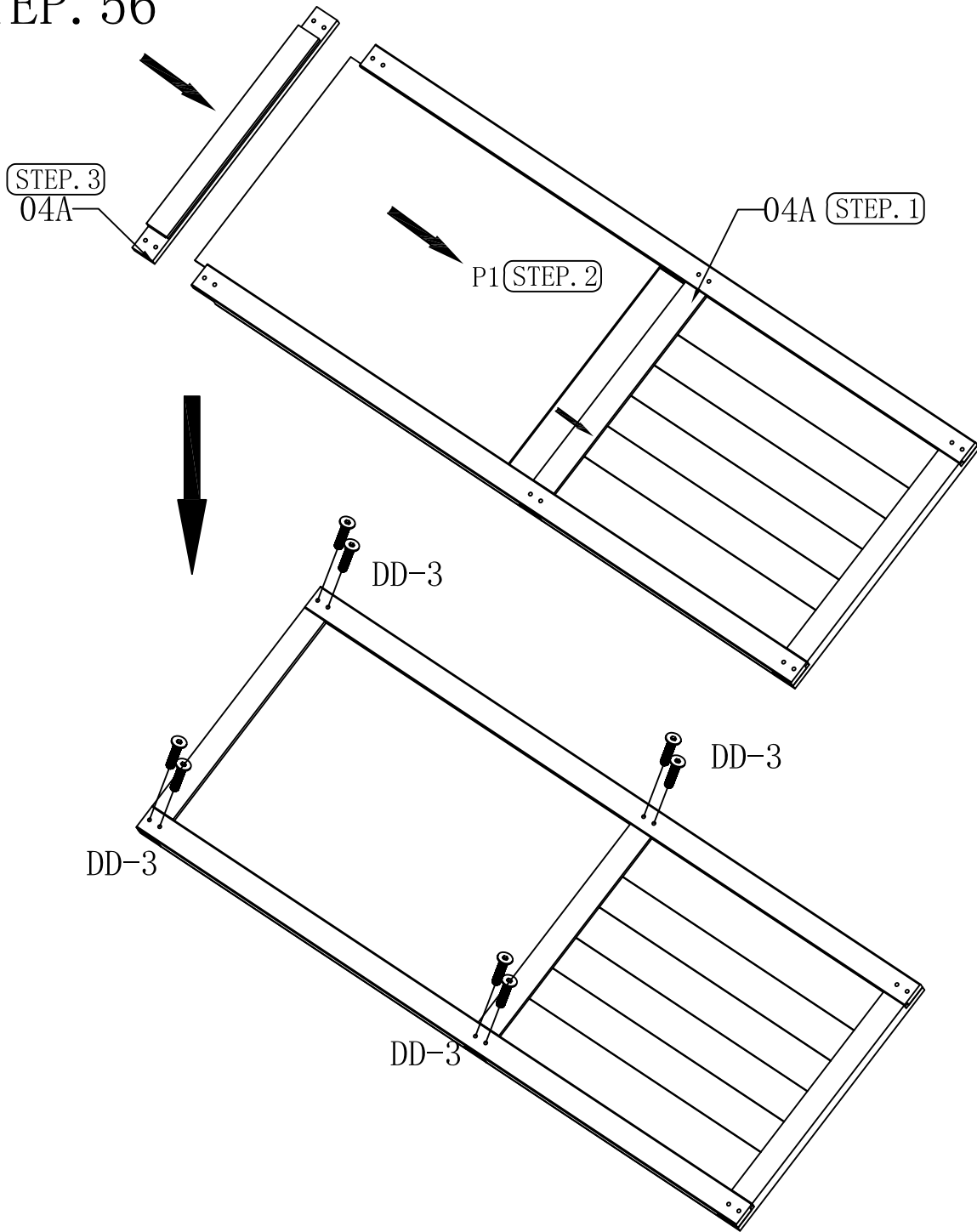


04B 1X

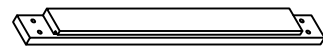


M6X35 DD-3 4X

STEP. 56



PI 1X

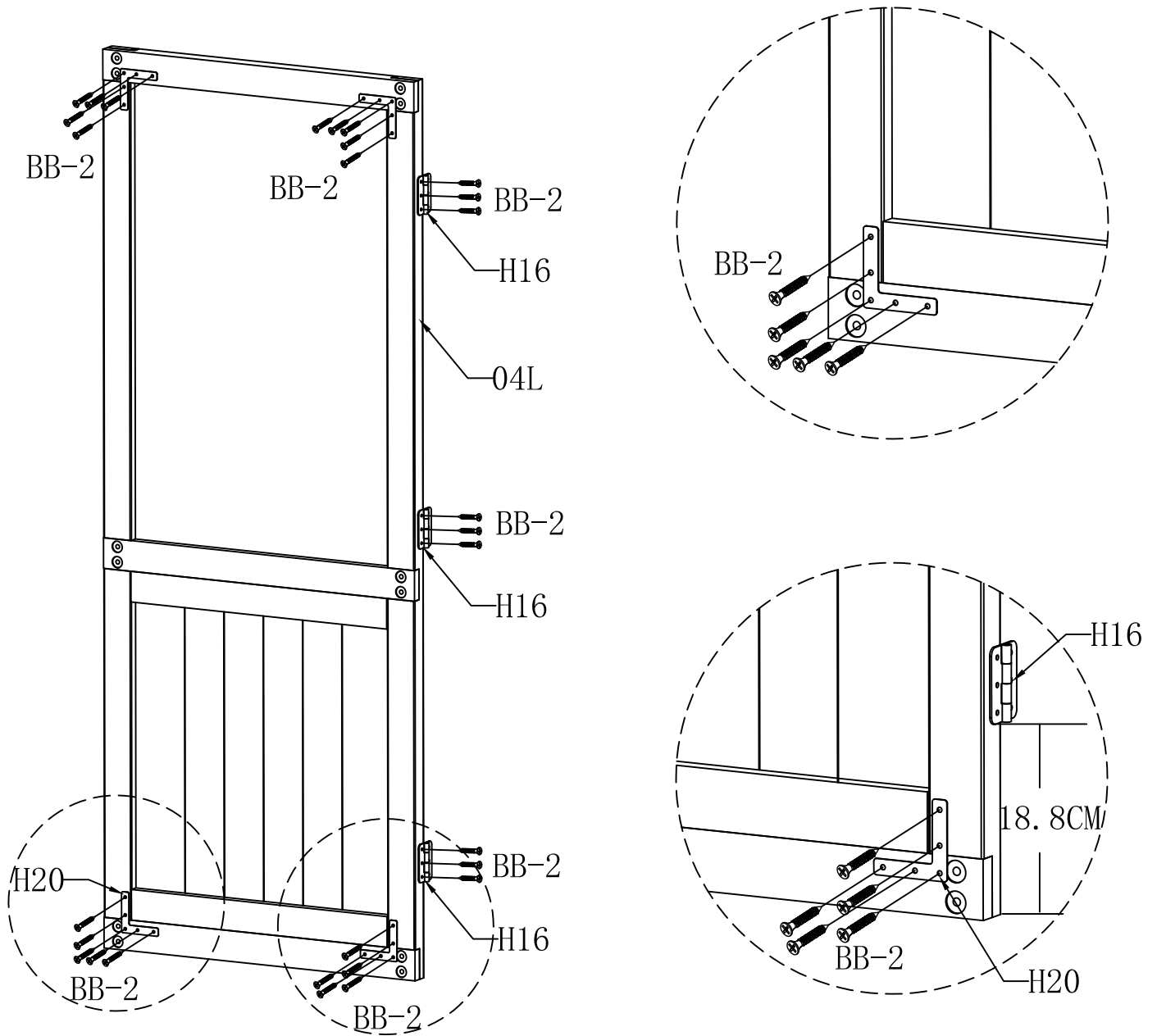


04A 2X



M6X35 DD-3 8X

STEP. 57



(H16) 3X

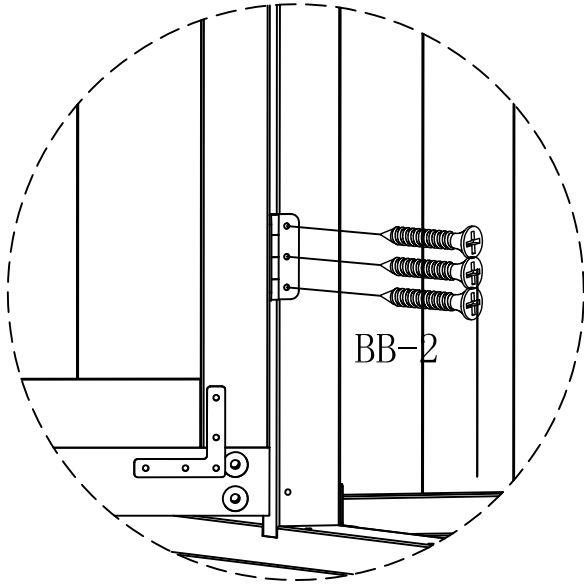
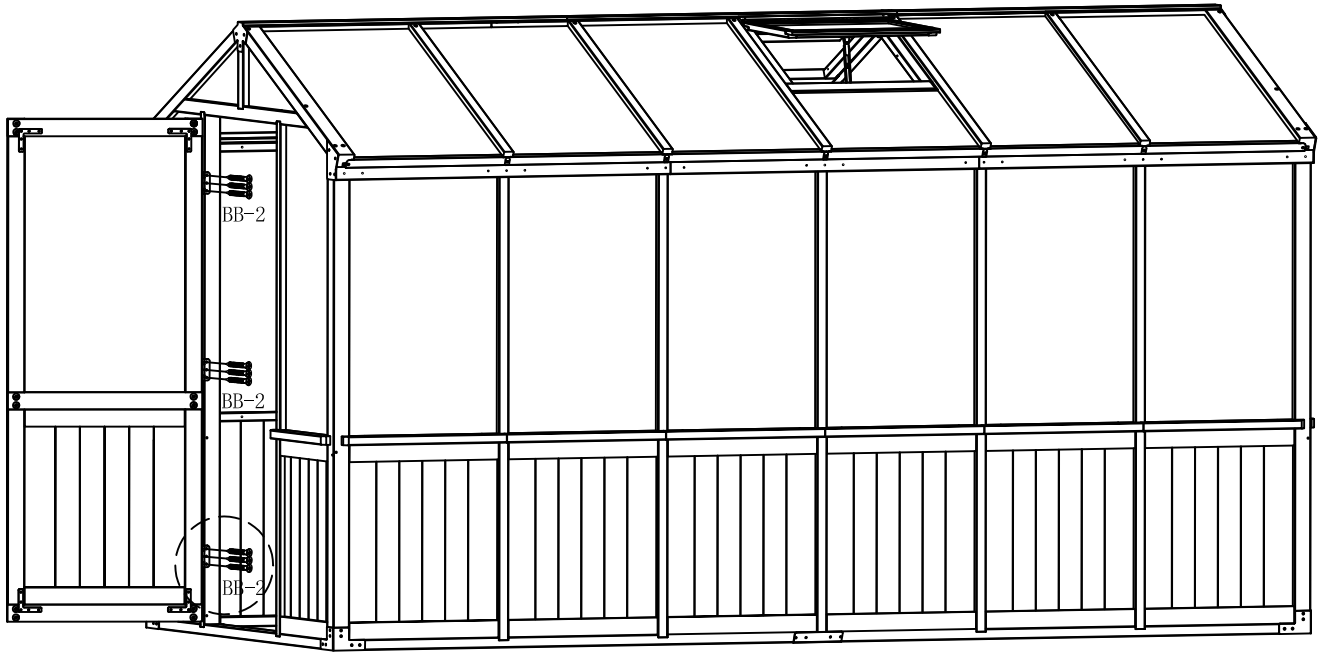


(H20) 4X



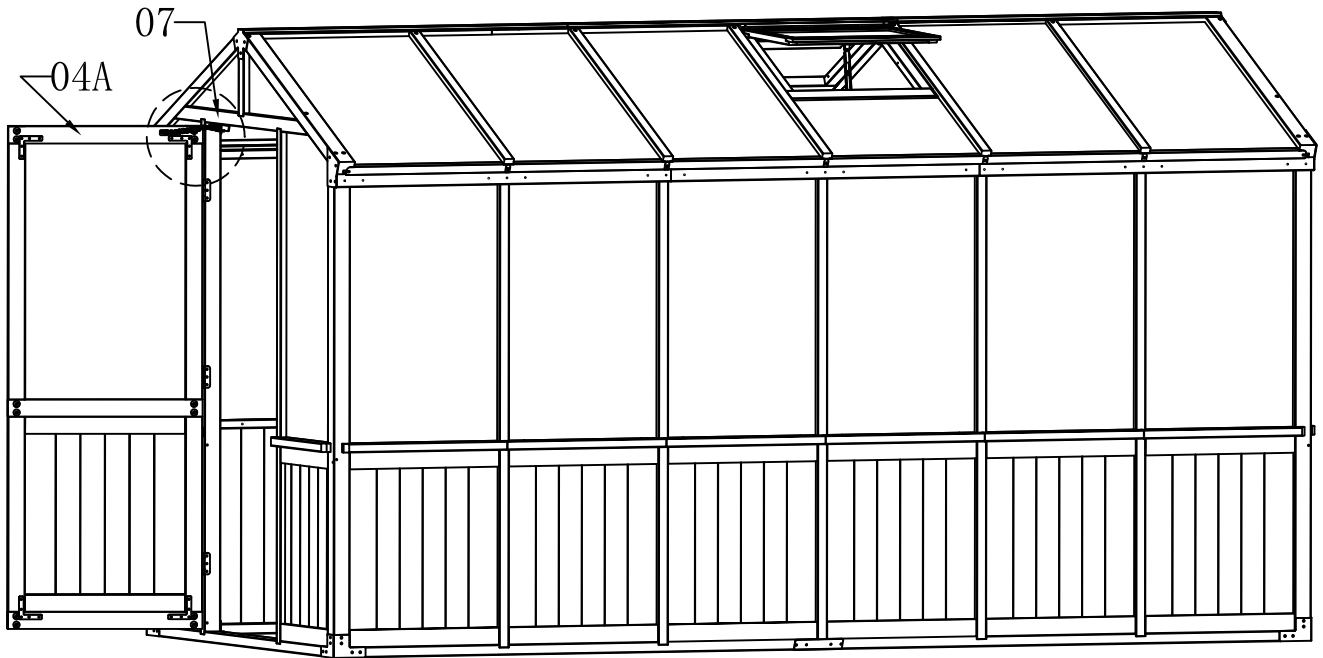
M4x25 (BB-2) 29X

STEP. 58

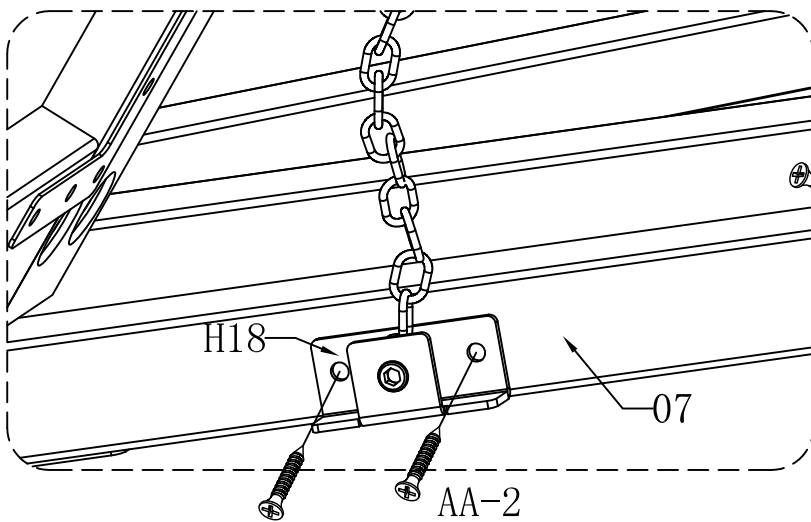


M4x25 **BB-2** 9X

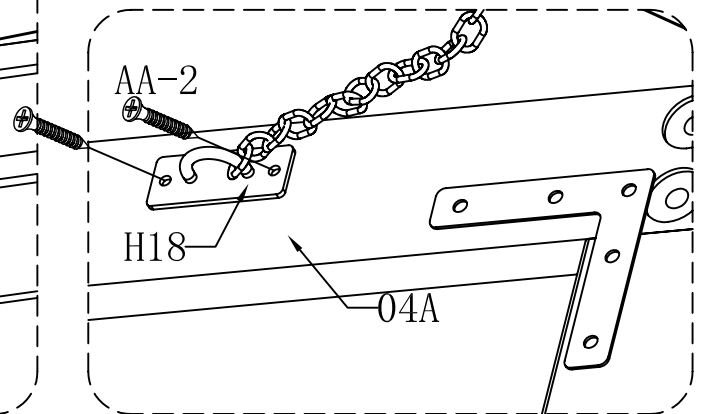
STEP. 59



STEP. 1



STEP. 2

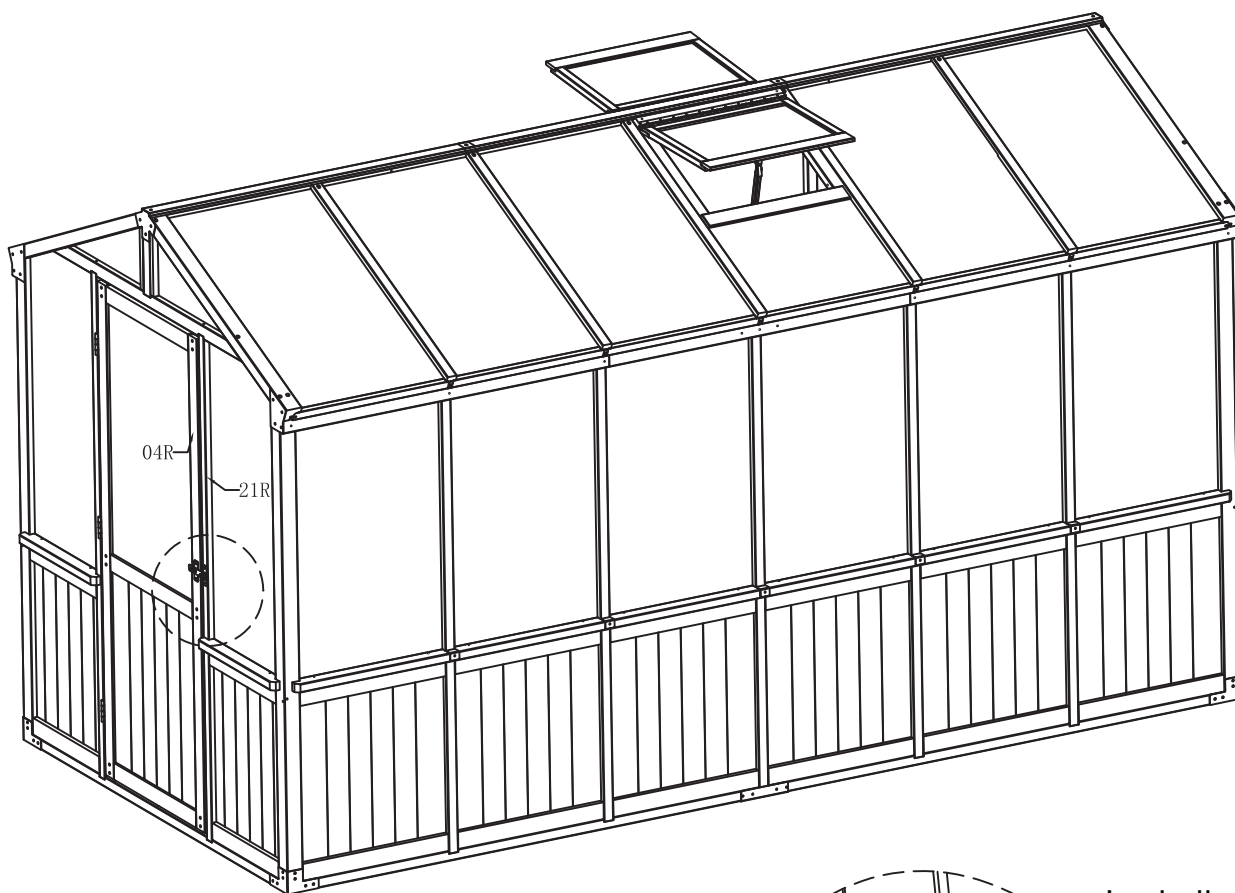


H18 1X

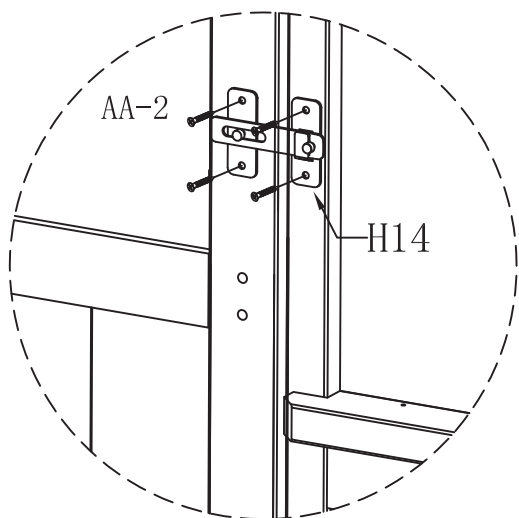


M3x20 AA-2 4X

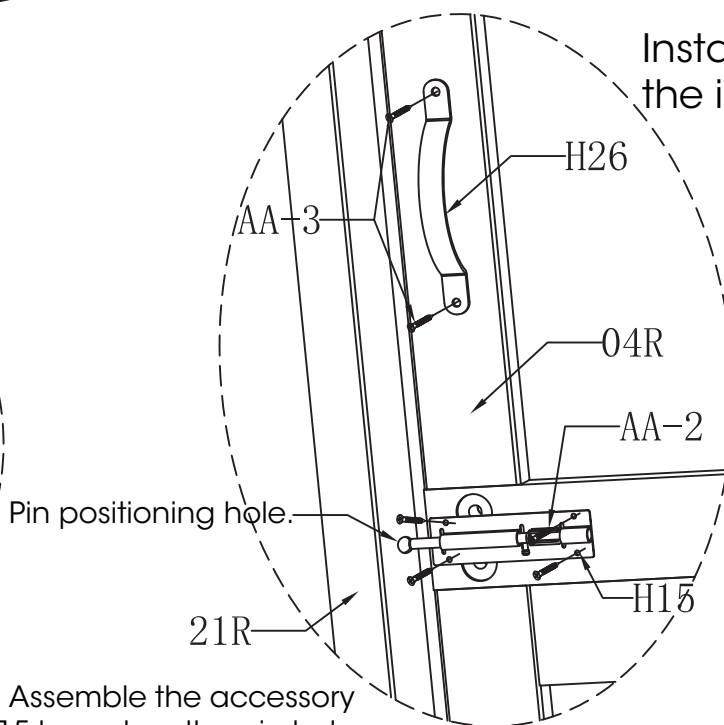
STEP. 60



Installation of the outer door handle.



Installation of the inner latch.



Assemble the accessory H15 based on the pin hole on the door frame 21R.



(H14) 1X



(H15) 1X



(H26) 1X

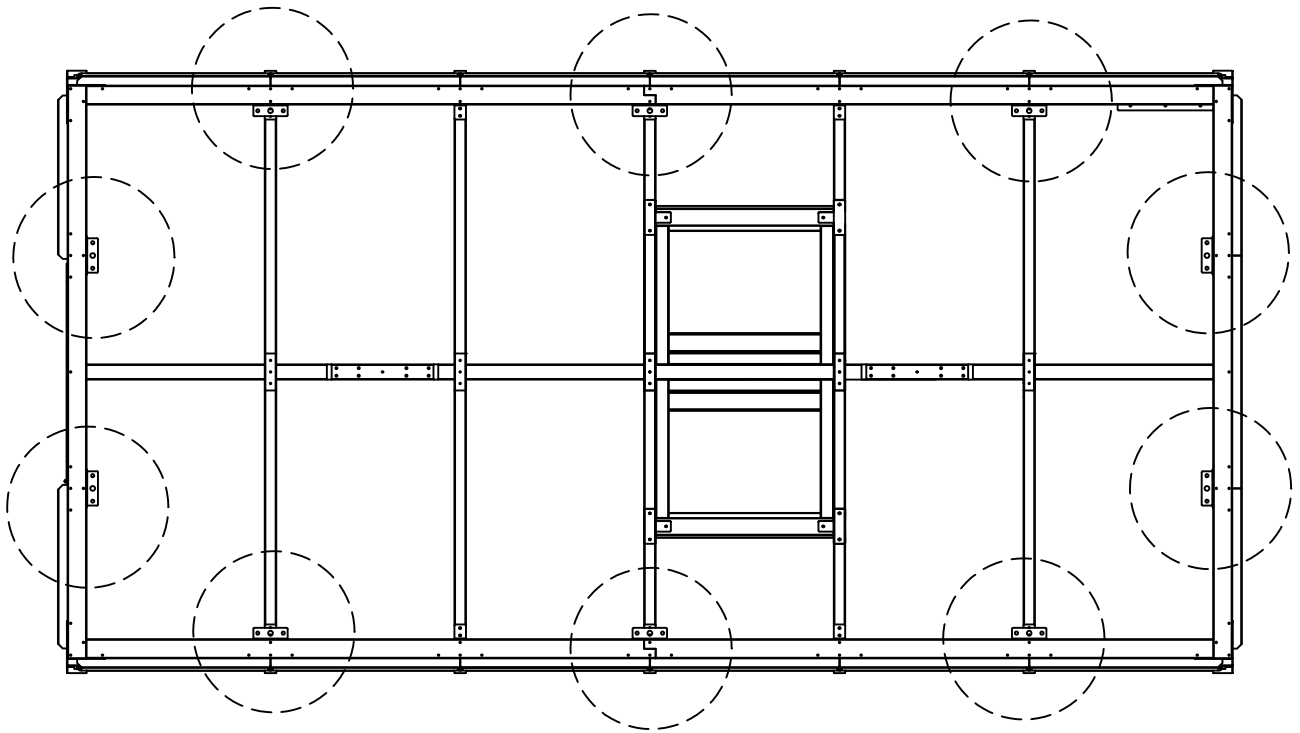


M3x20 (AA-2) 8X

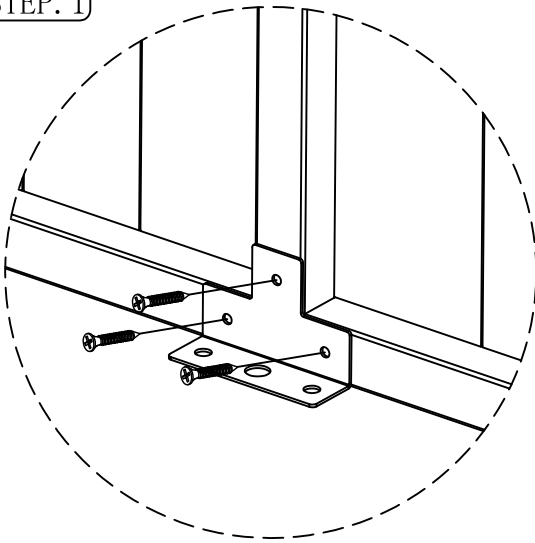


M3x18 (AA-3) 2X

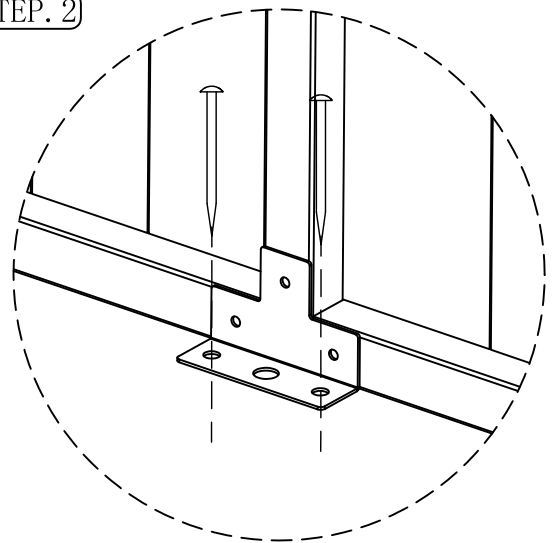
STEP. 61



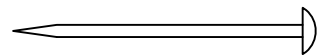
STEP. 1



STEP. 2



H1 10X

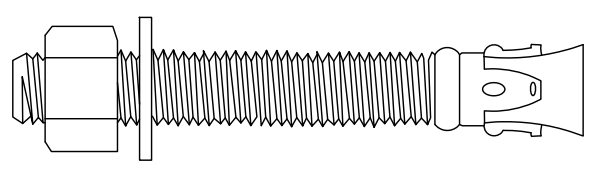
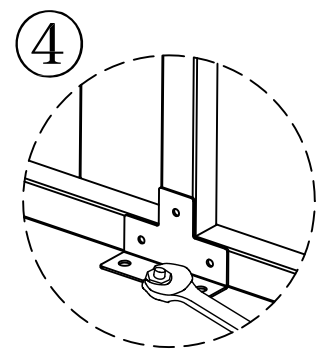
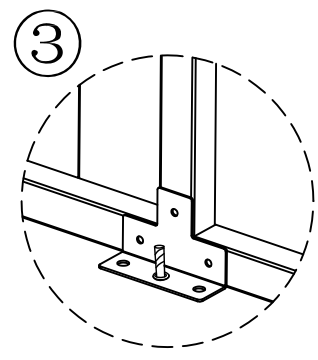
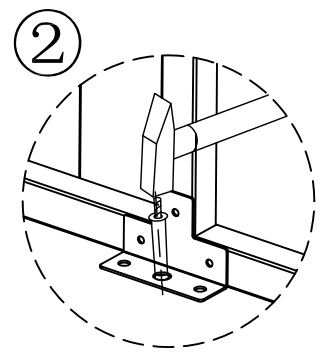
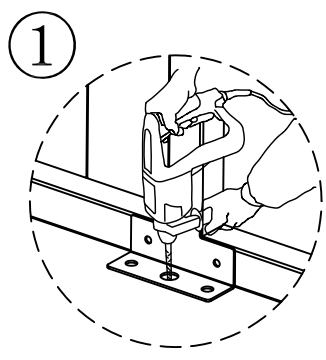
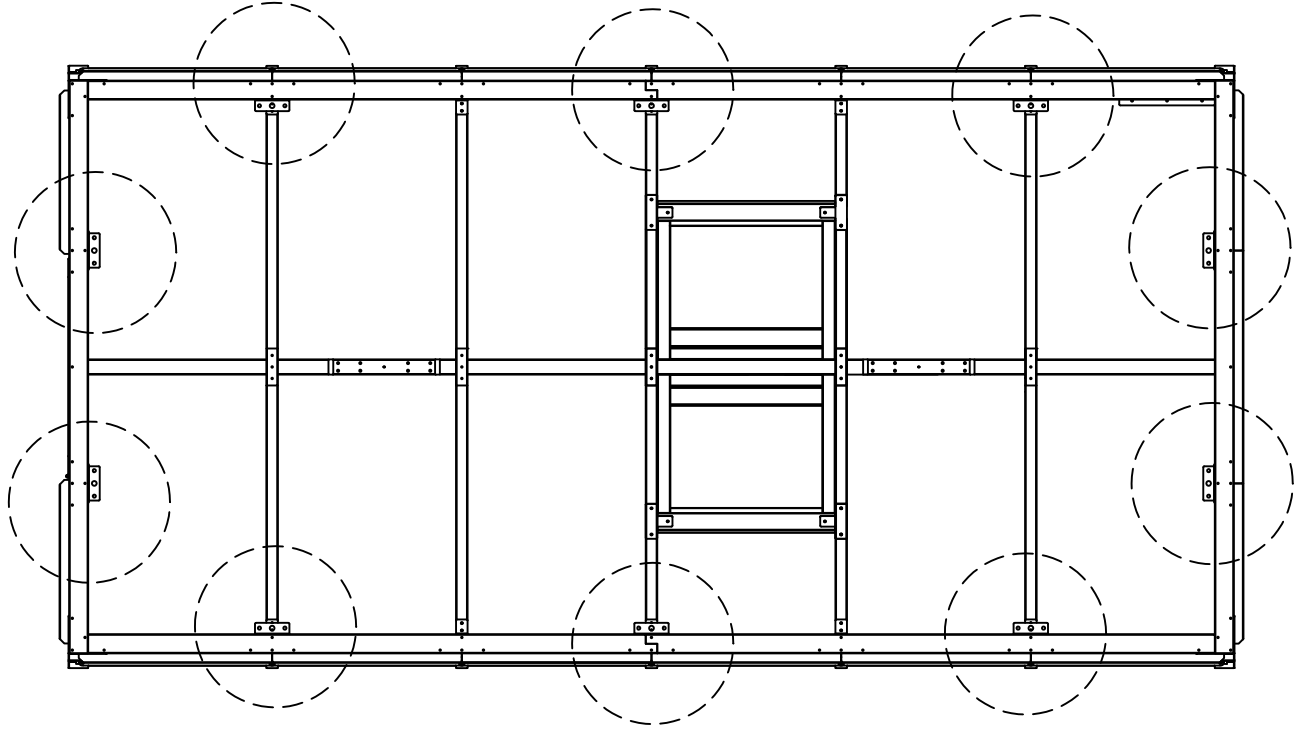


ϕ 6x200 UU 20X



M4x25 BB-2 30X

STEP. 62



M10×80mm

QQ

10X