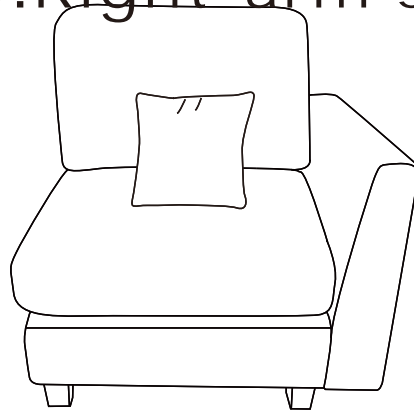
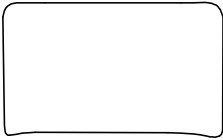
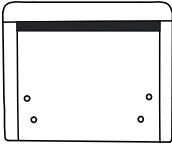
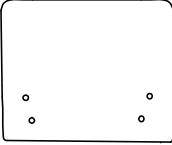

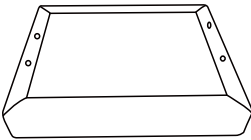
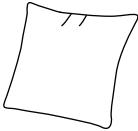
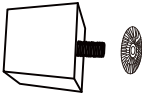


Assembly Instructions

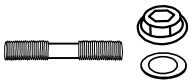
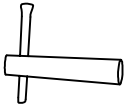
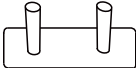
ITEM NO: Right-arm seat module



PARTS LIST

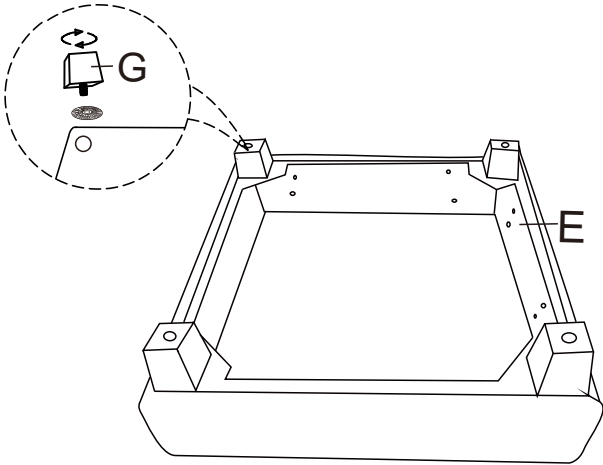
A*1	B*1	C*1	D*1
			
E*1	F*1	G*4	
			

HARDWARE LIST

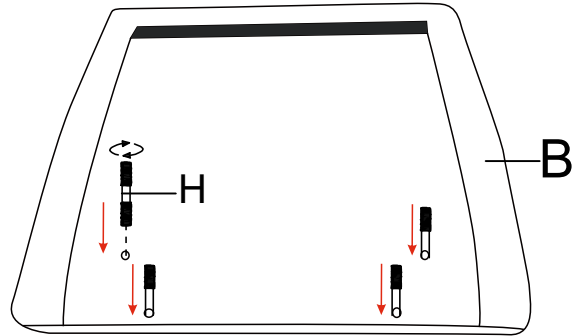
H*8	I*1	J*2
		

Assembly Steps

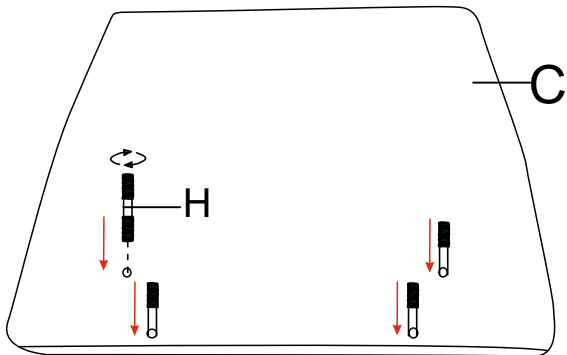
Step 1



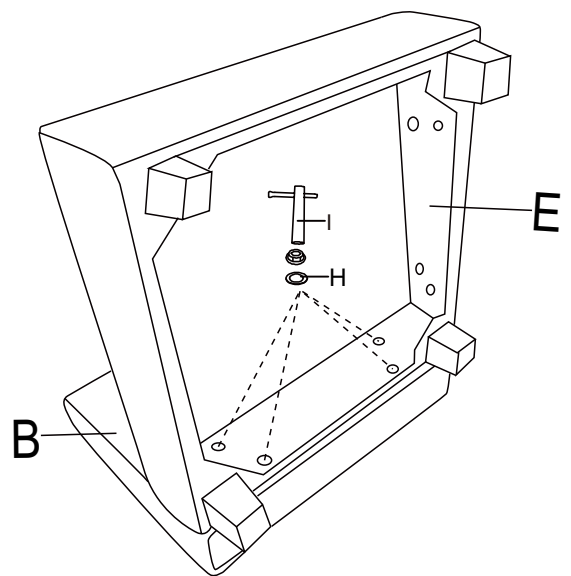
Step 2



Step 3

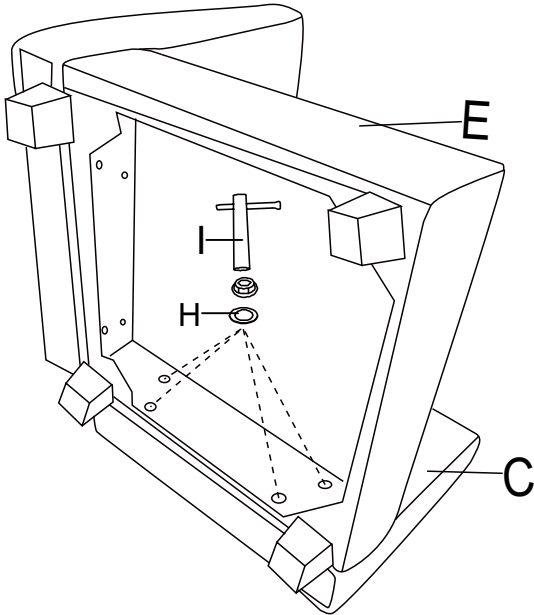


Step 4

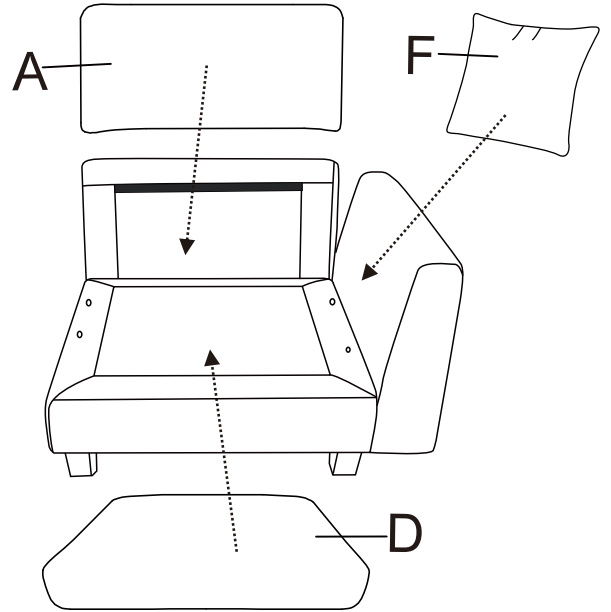


Assembly Steps

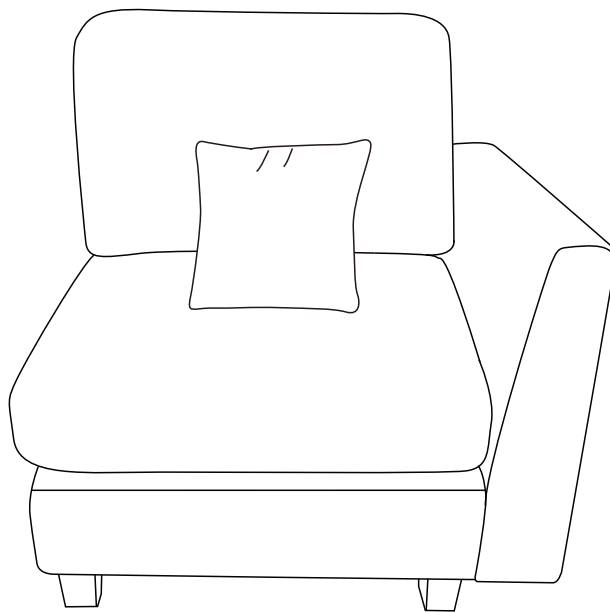
Step 7



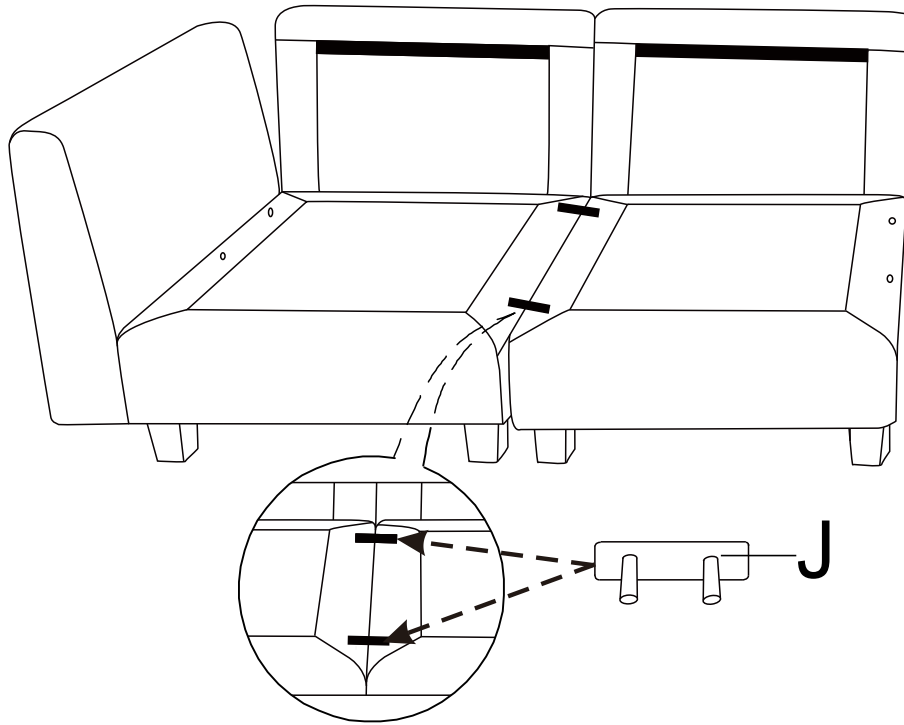
Step 8



Step 9



Assembly Steps



The connector is only used for fixing between angle and armless and between armless and armless, and the footstool has no fixing system

Toll-Free number: 1-833-273-2277