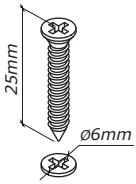
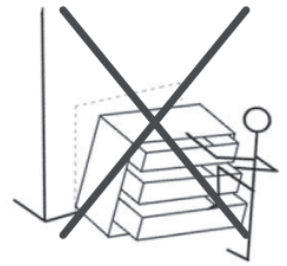
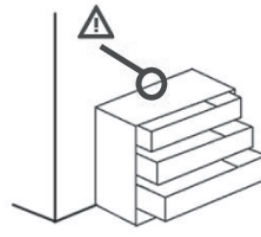
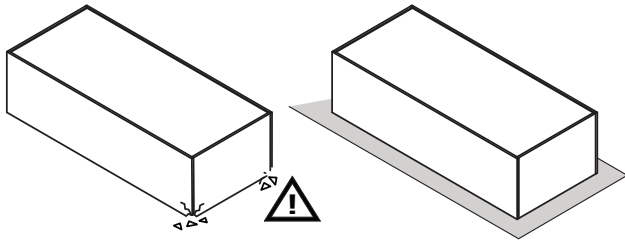
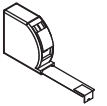
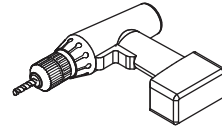
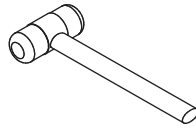
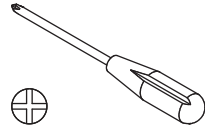
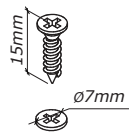




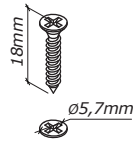
2h



**V11**  
x16



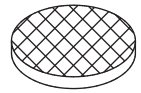
**V5**  
x14



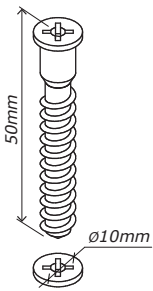
**V88**  
x4



**H2**  
x14



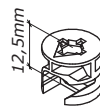
**H139**  
x1



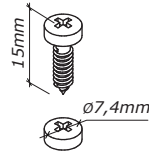
**V45**  
x1



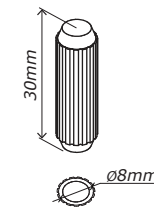
**T28**  
x16



**T7**  
x16



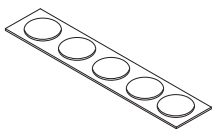
**V81**  
x16



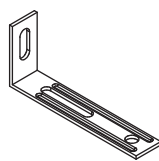
**H1**  
x20



**R40**  
x8



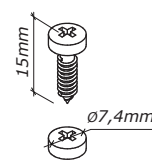
**G195**  
x12



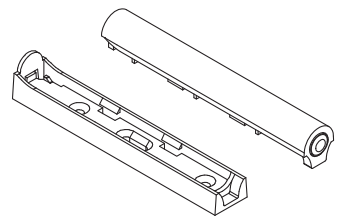
**H185**  
x2



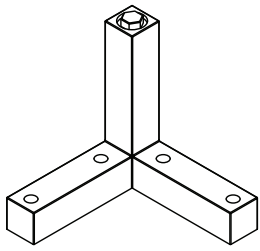
**H129**  
x4



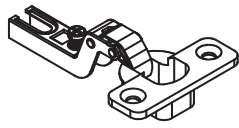
**V81**  
x4



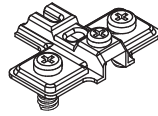
**H274**  
x2



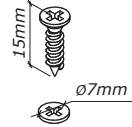
**P75**  
x4



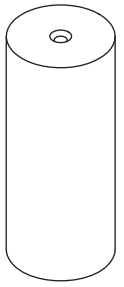
**C39**  
x4



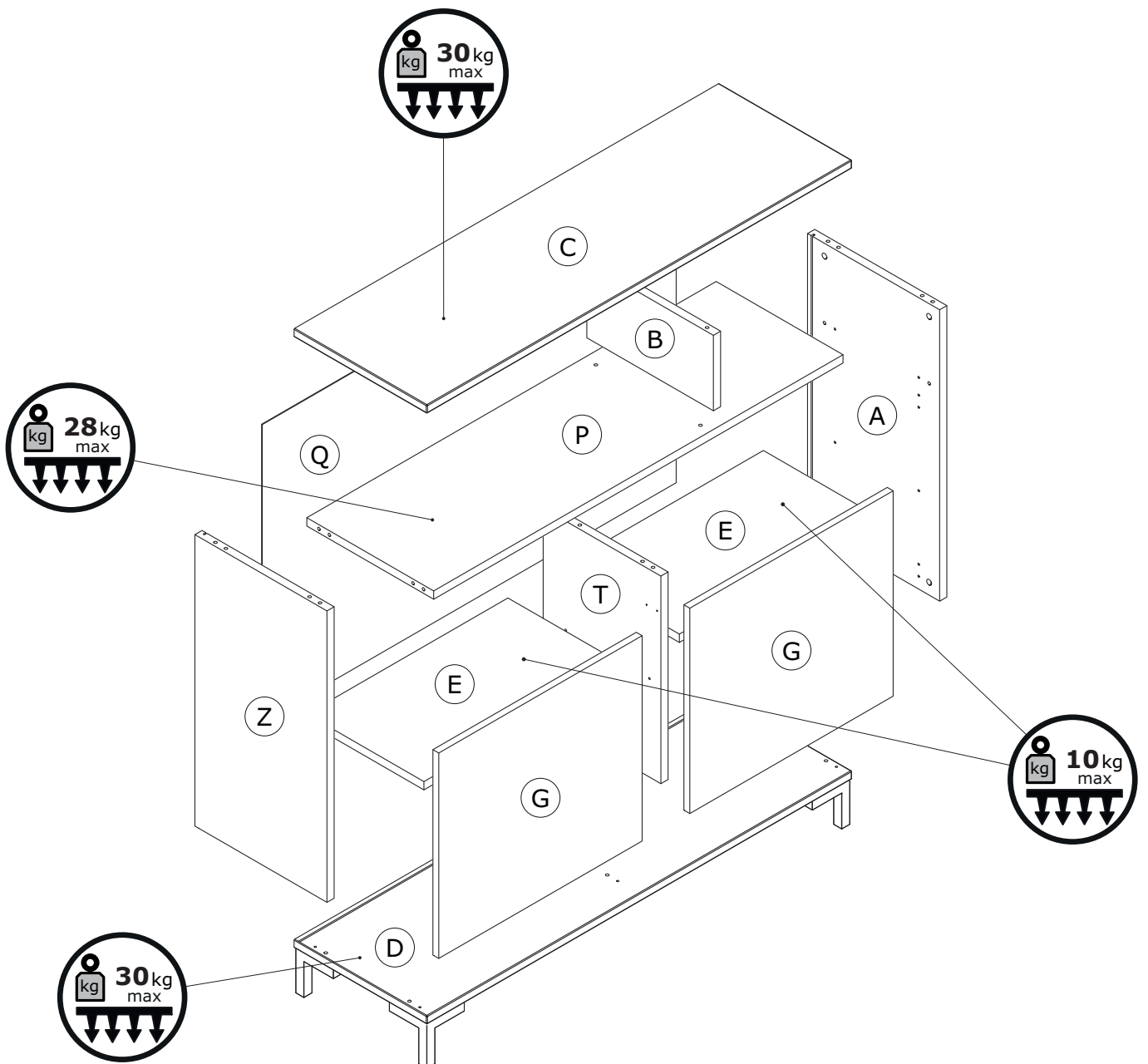
**B9**  
x4

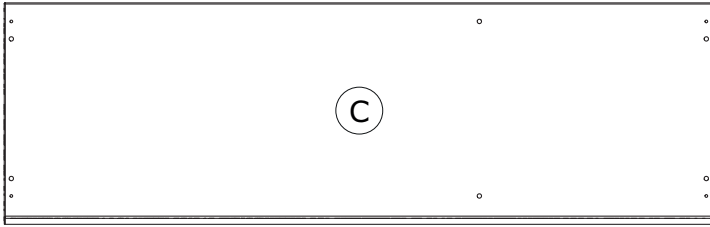


**V5**  
x8

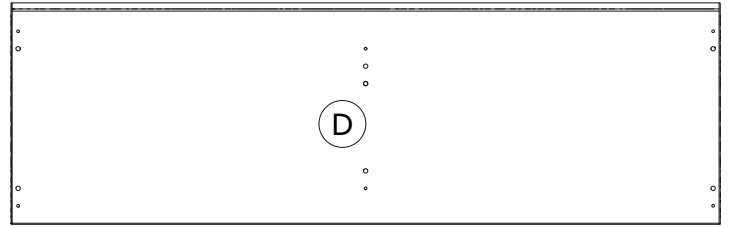


**W591**  
x1

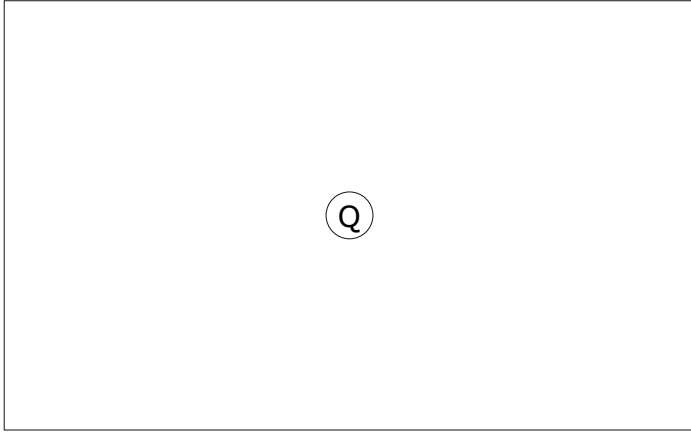




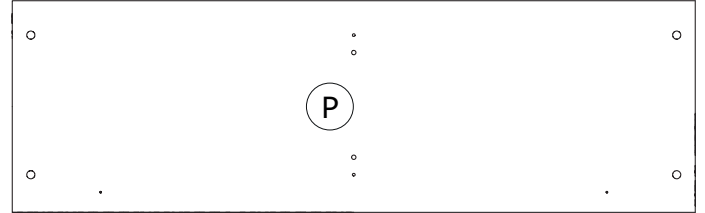
**CA3696**  
1300x406x22mm



**BA2253**  
1300x406x22mm

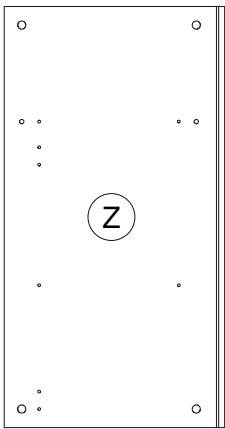


**SH3465**  
1266x787x22mm

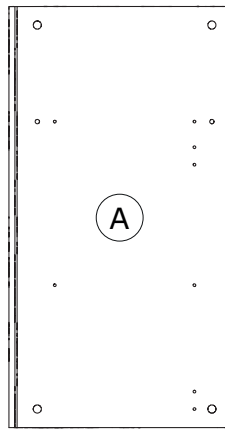


**PI7271**  
1252x388x22mm

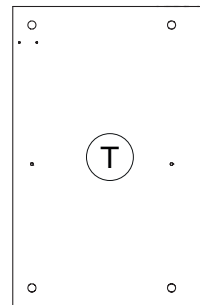
**BOX 1/2**



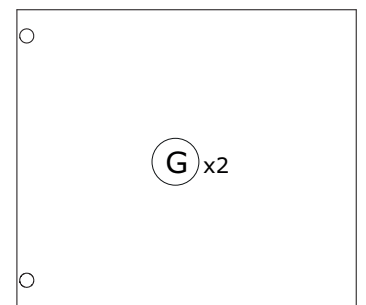
**FI8908**  
772x404x22mm



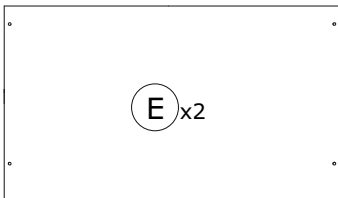
**FI8907**  
772x404x22mm



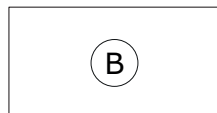
**TR2325**  
550x360x22mm



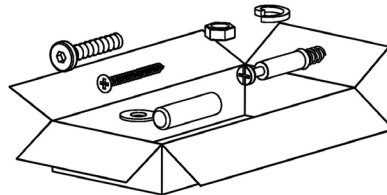
**AN2987**  
544x622x18mm



**PI7272**  
615x358x22mm

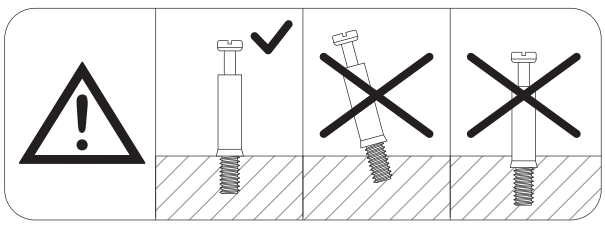
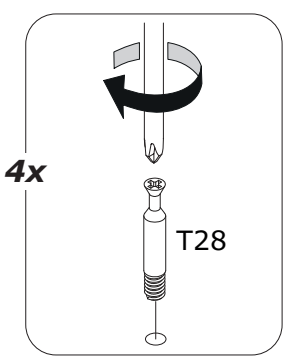
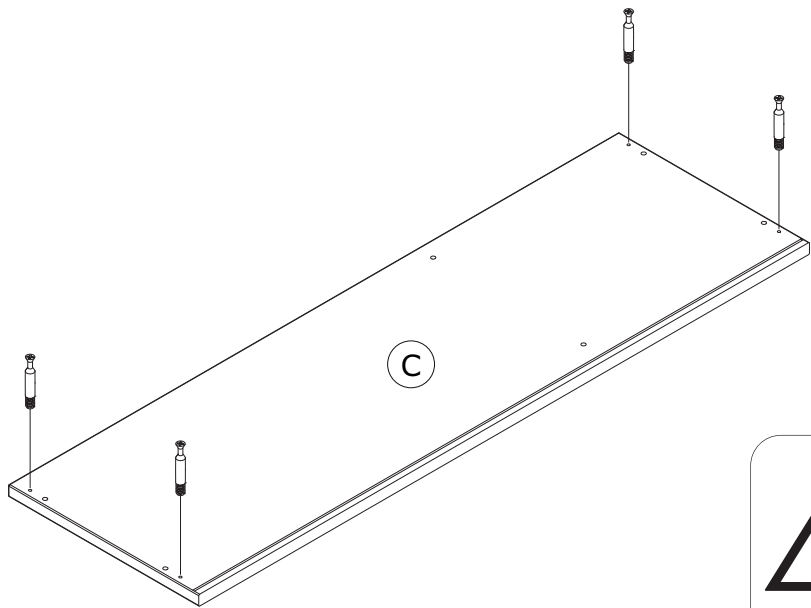


**TR2323**  
200x387x22mm

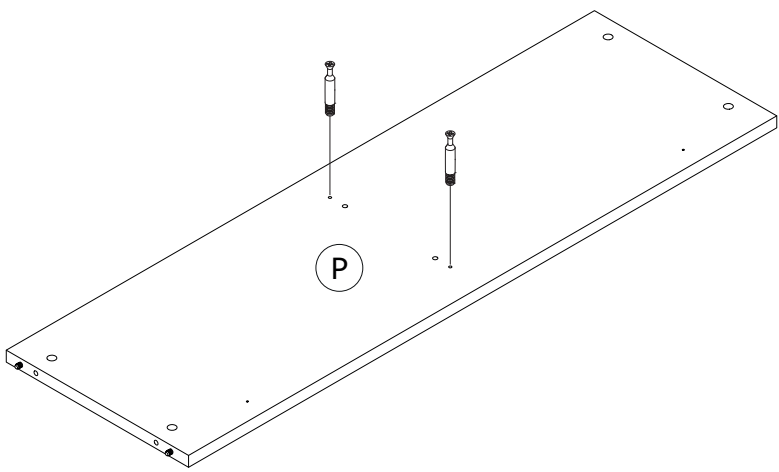
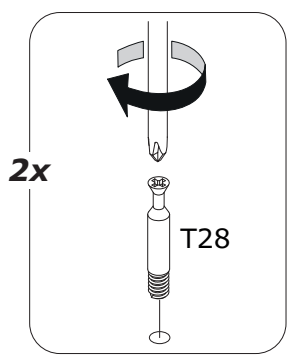
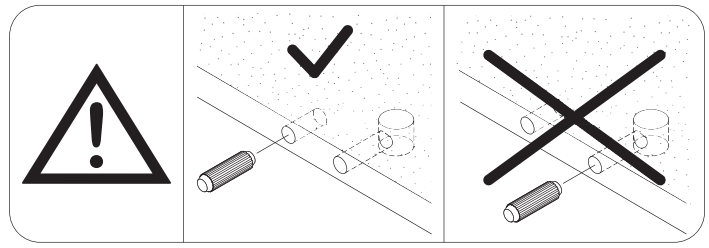
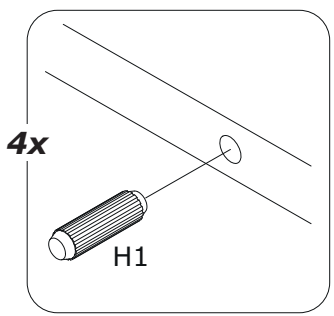
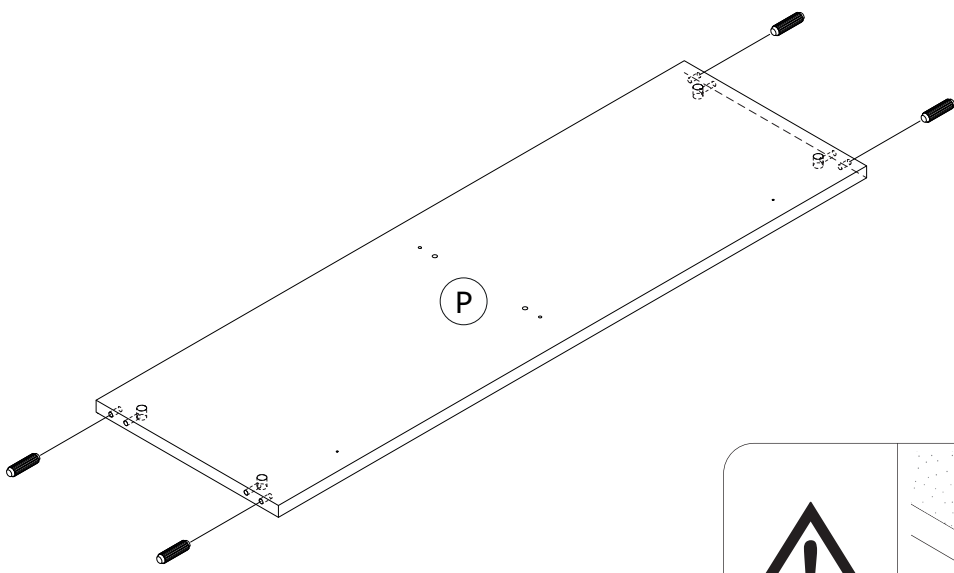


**BOX 2/2**

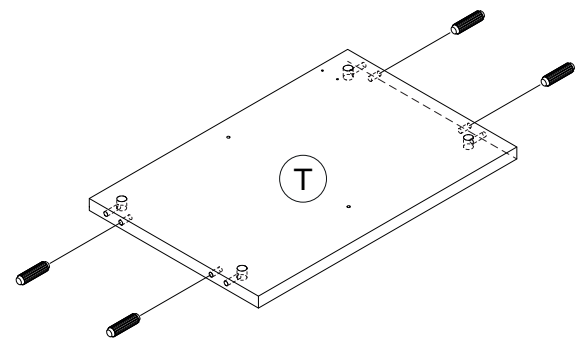
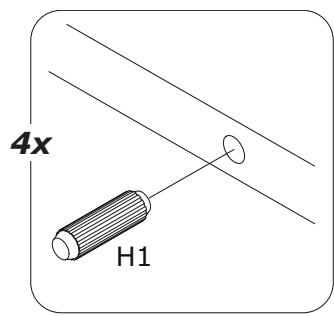
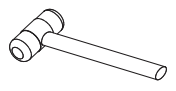
1



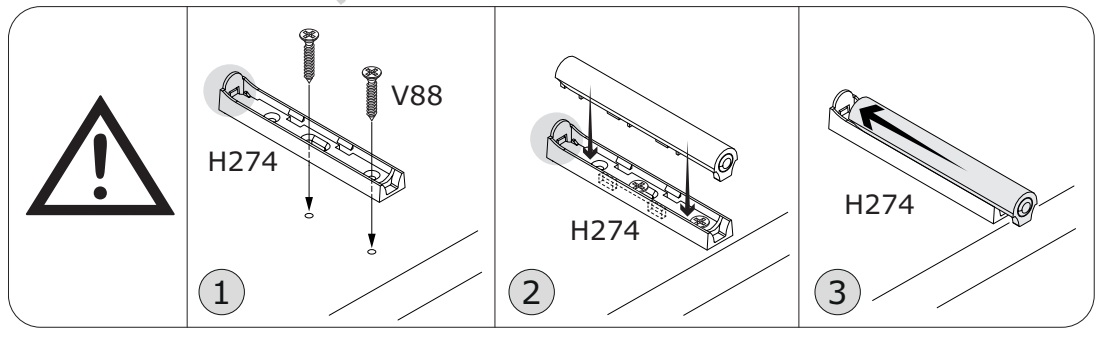
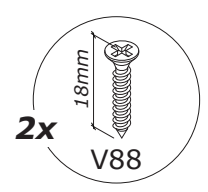
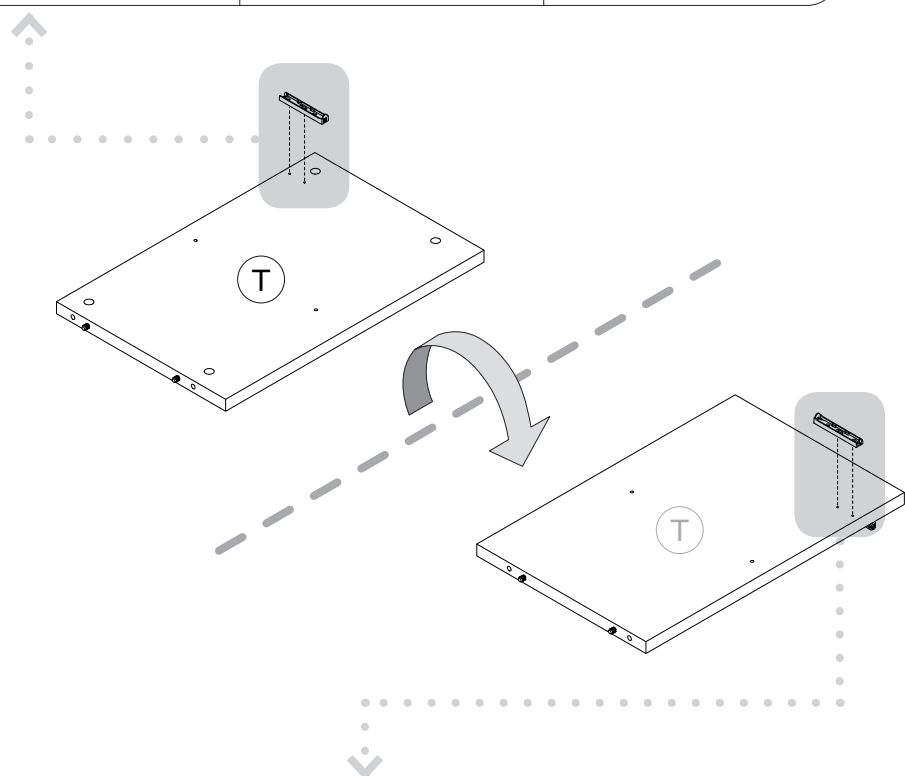
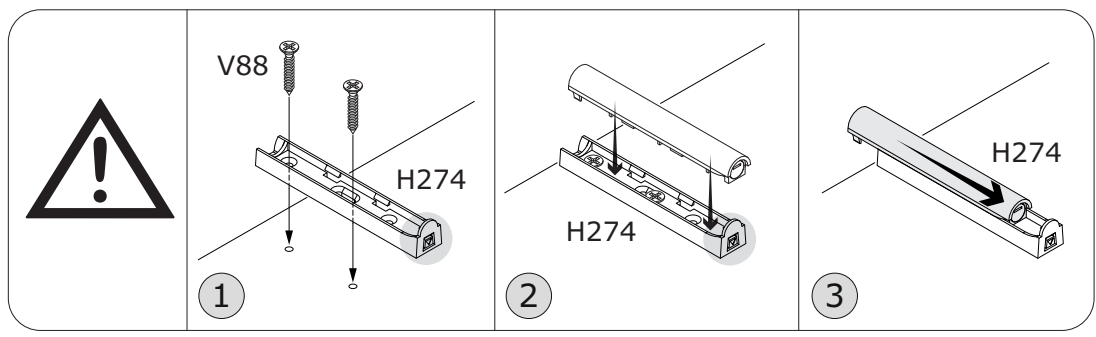
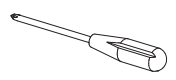
2



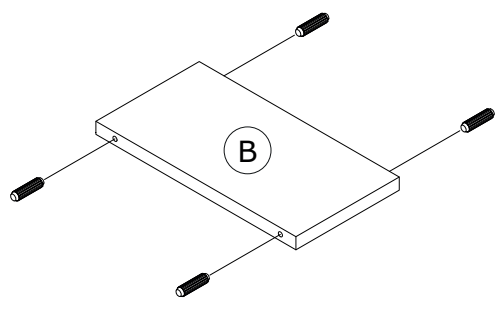
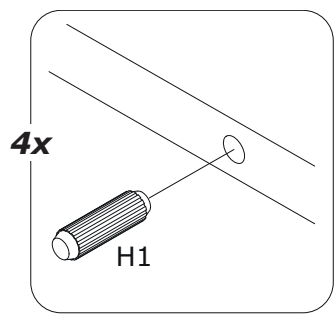
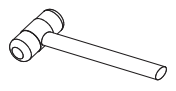
3



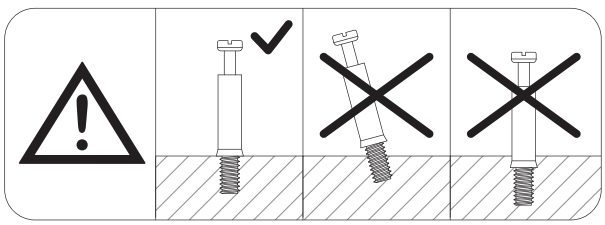
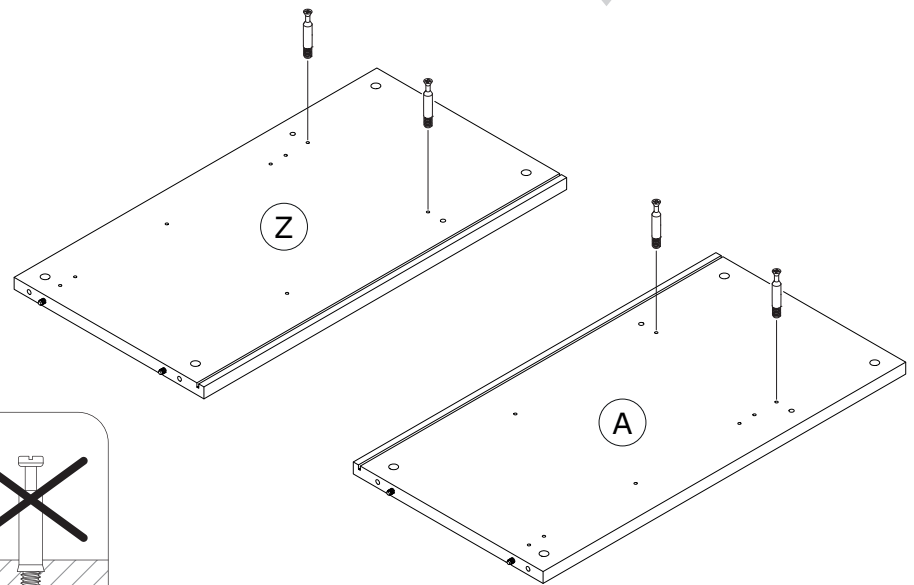
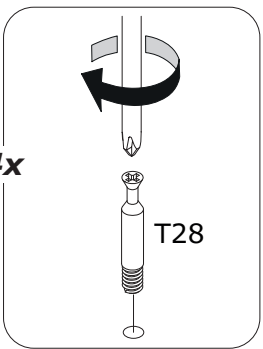
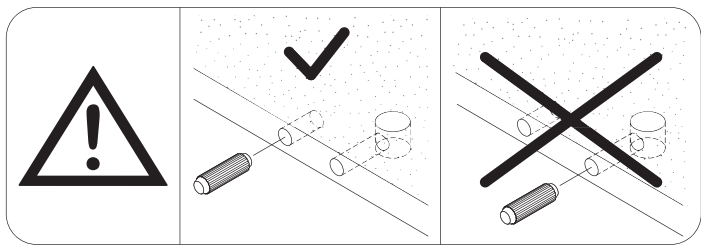
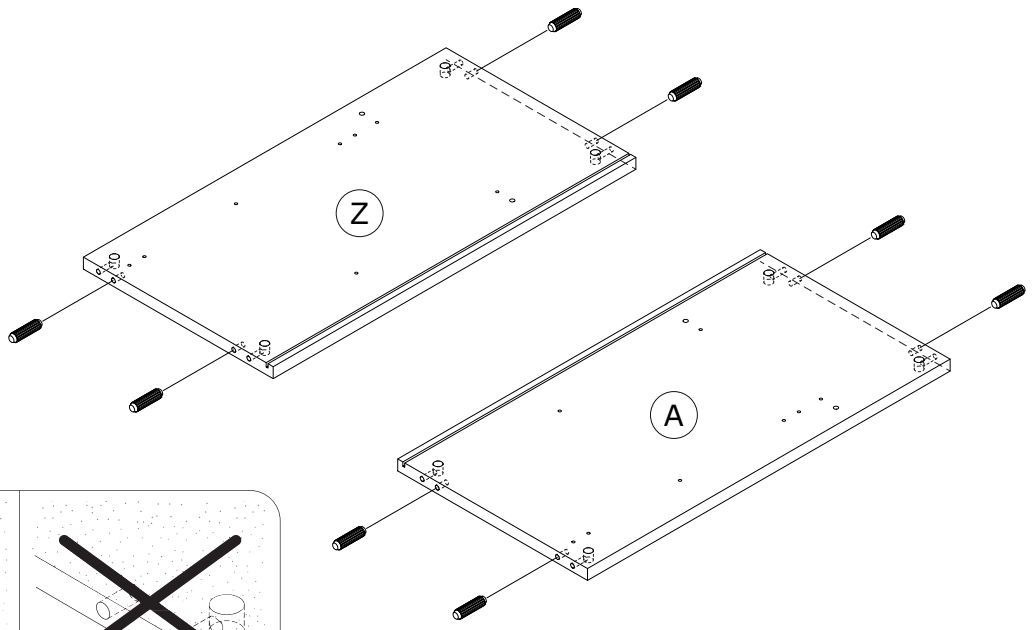
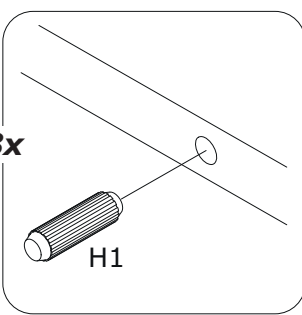
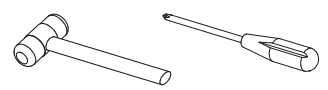
4



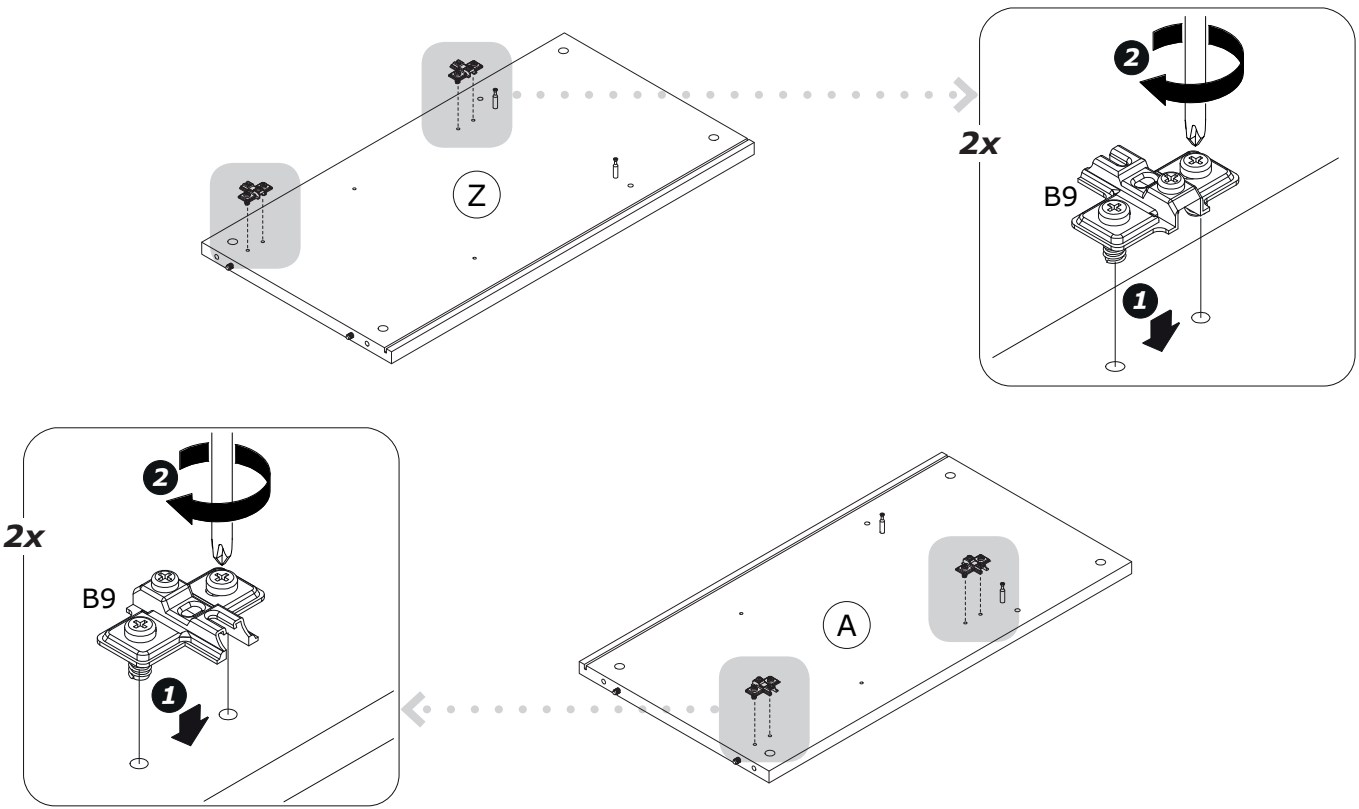
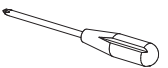
5



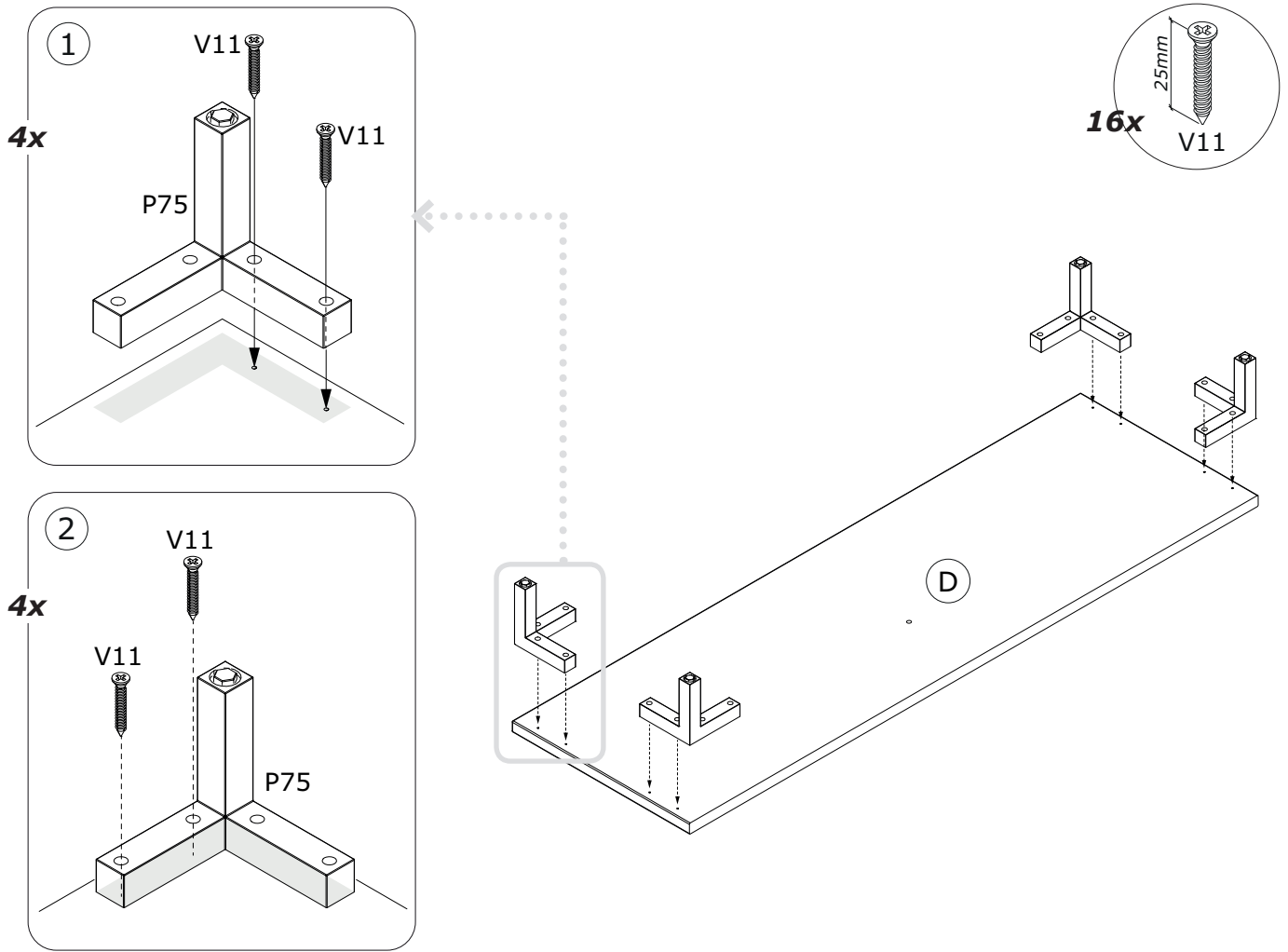
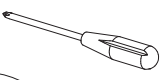
6



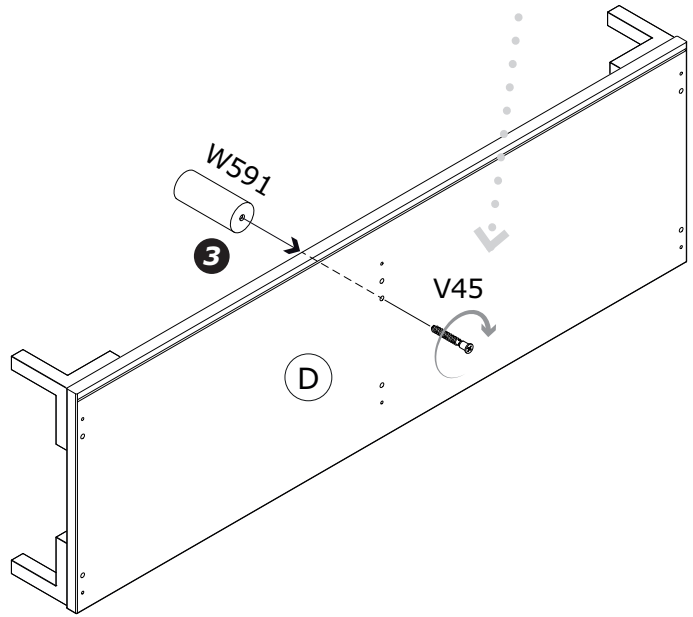
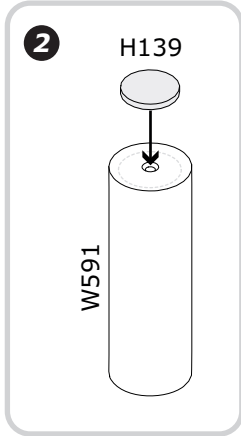
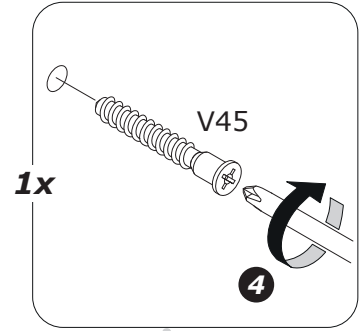
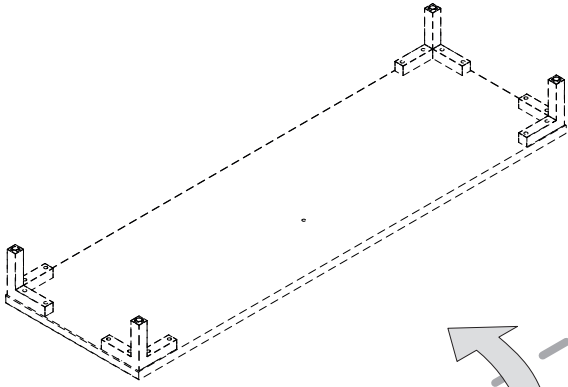
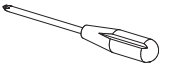
7



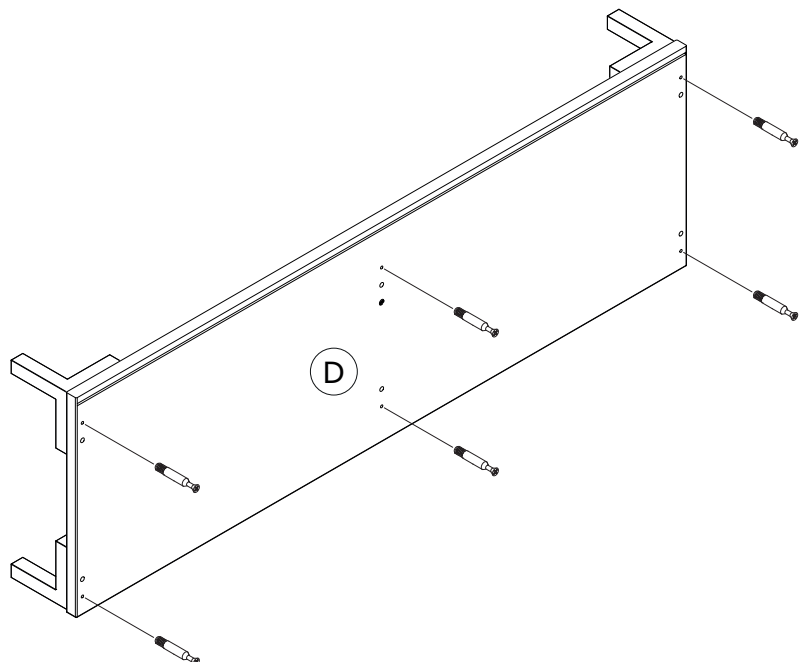
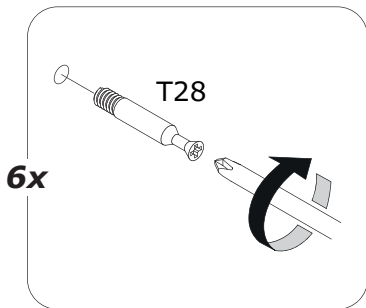
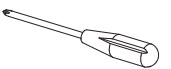
8



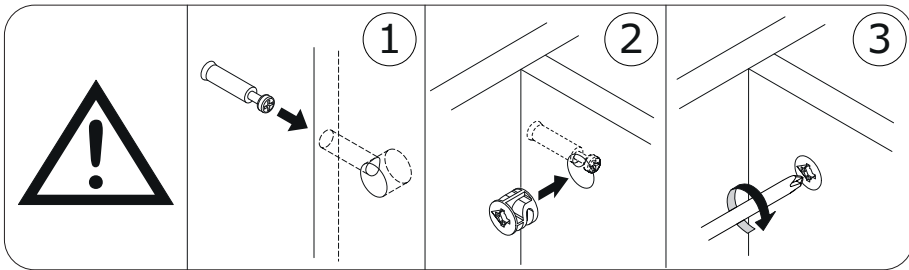
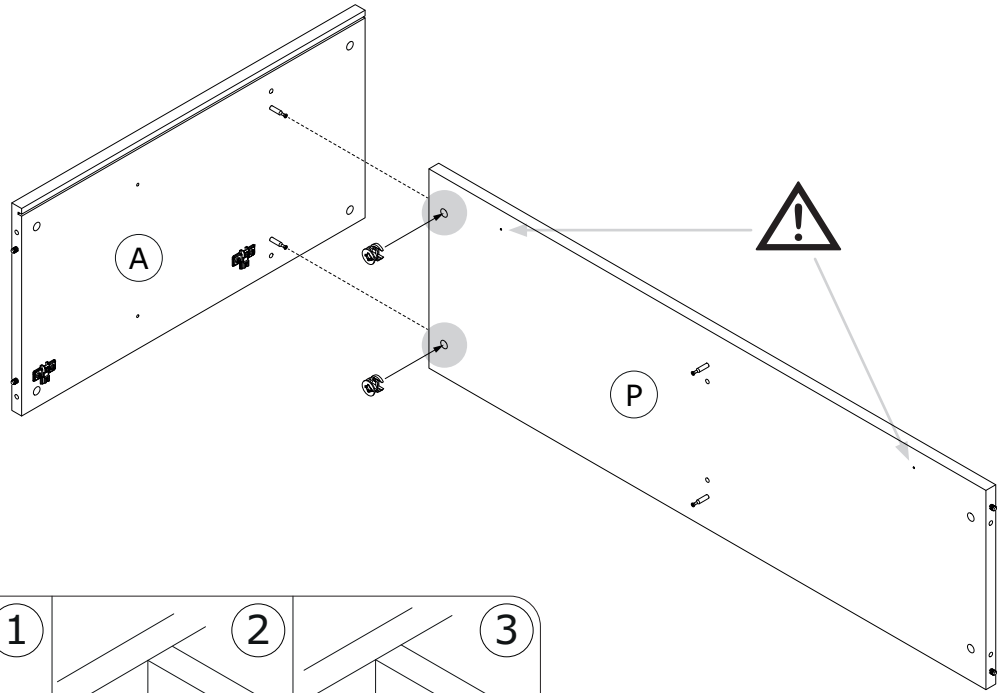
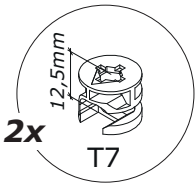
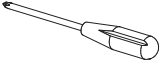
9



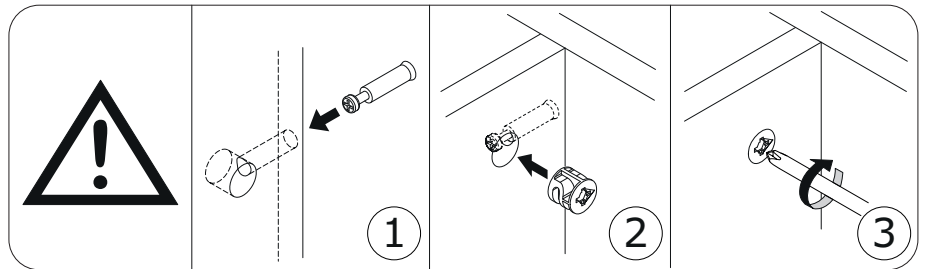
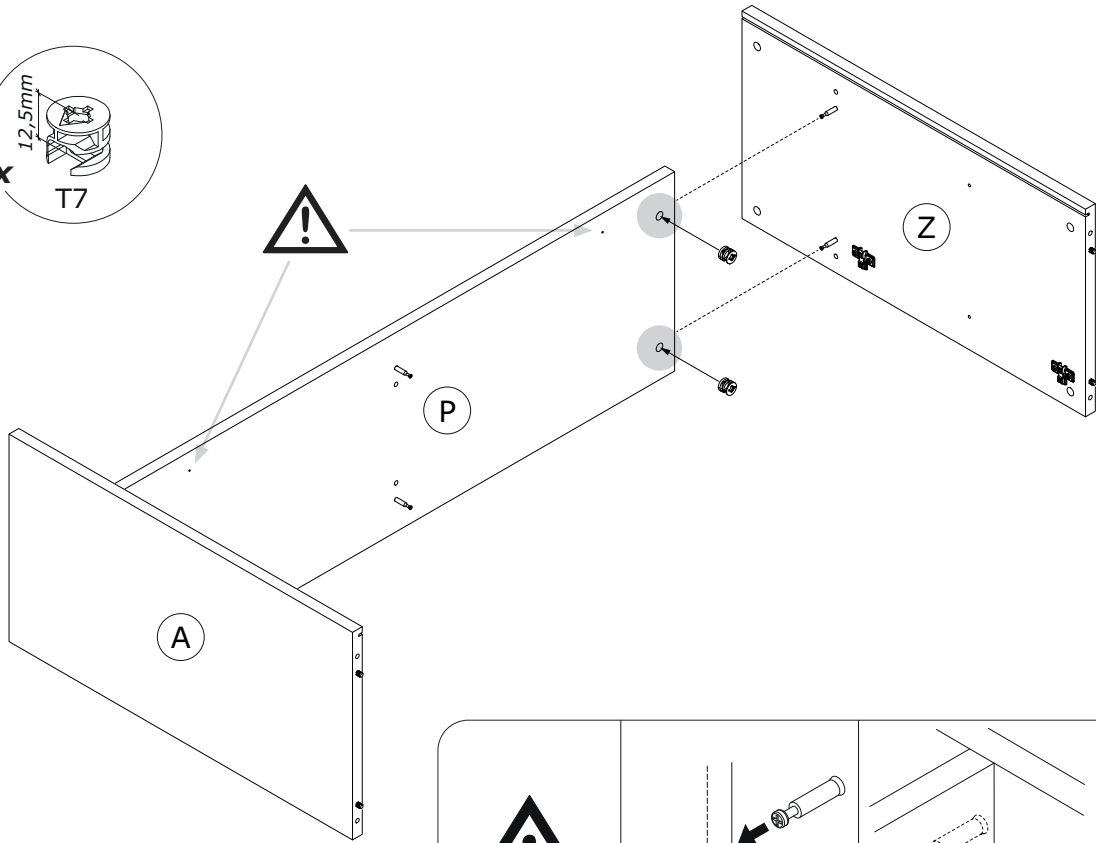
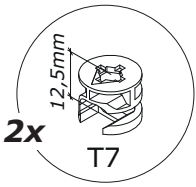
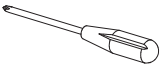
10



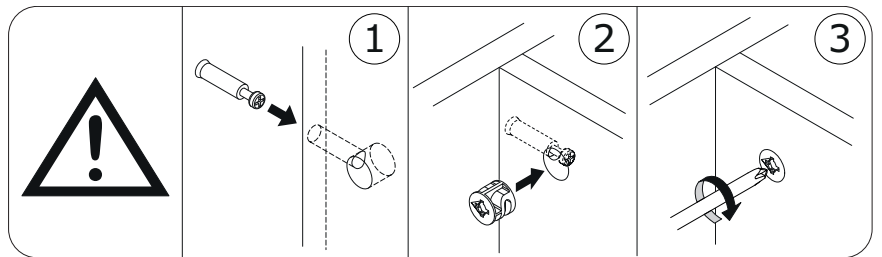
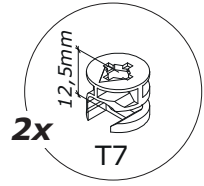
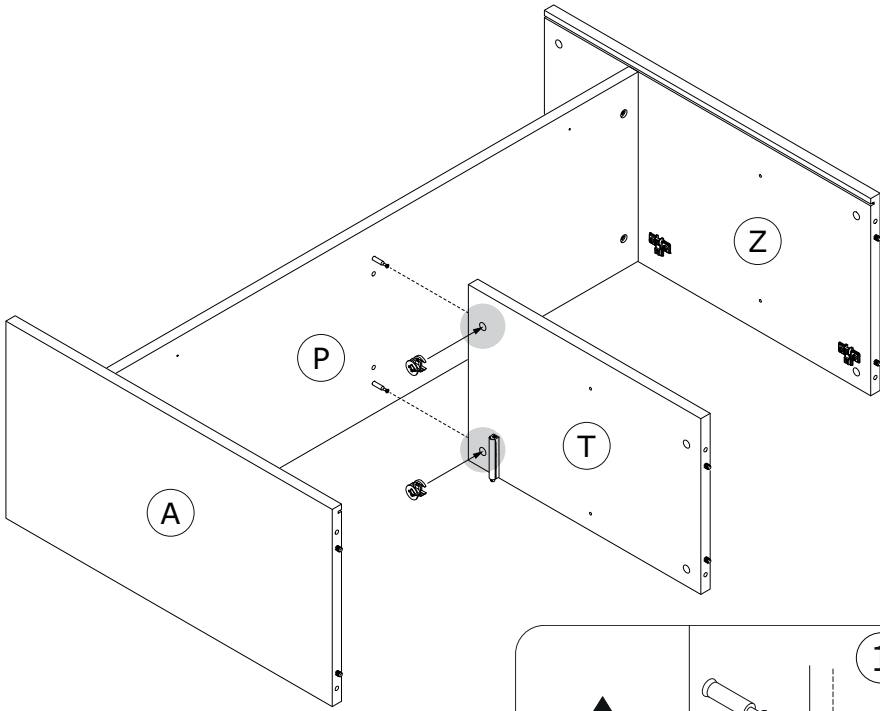
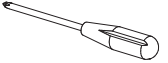
11



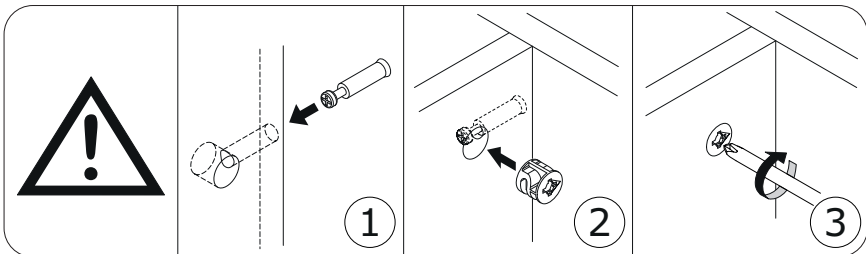
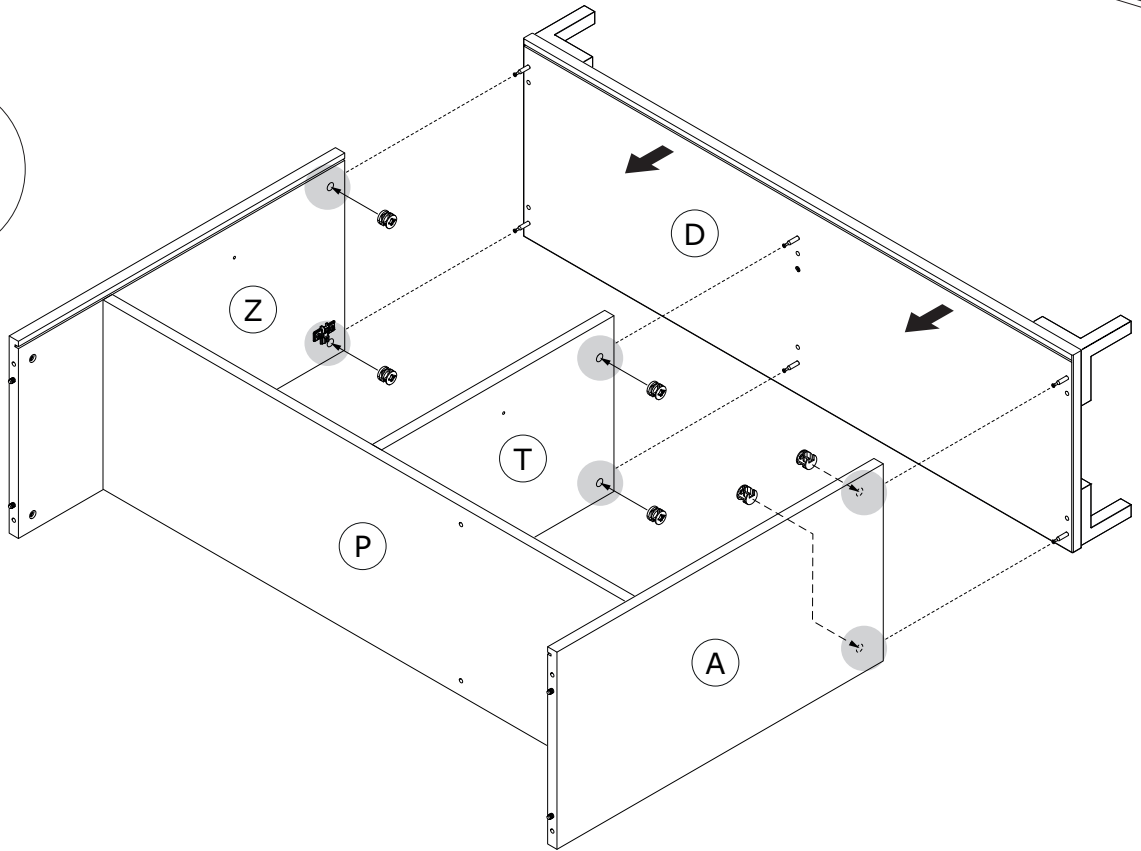
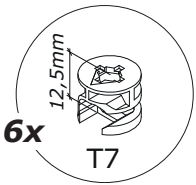
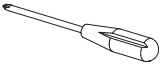
12



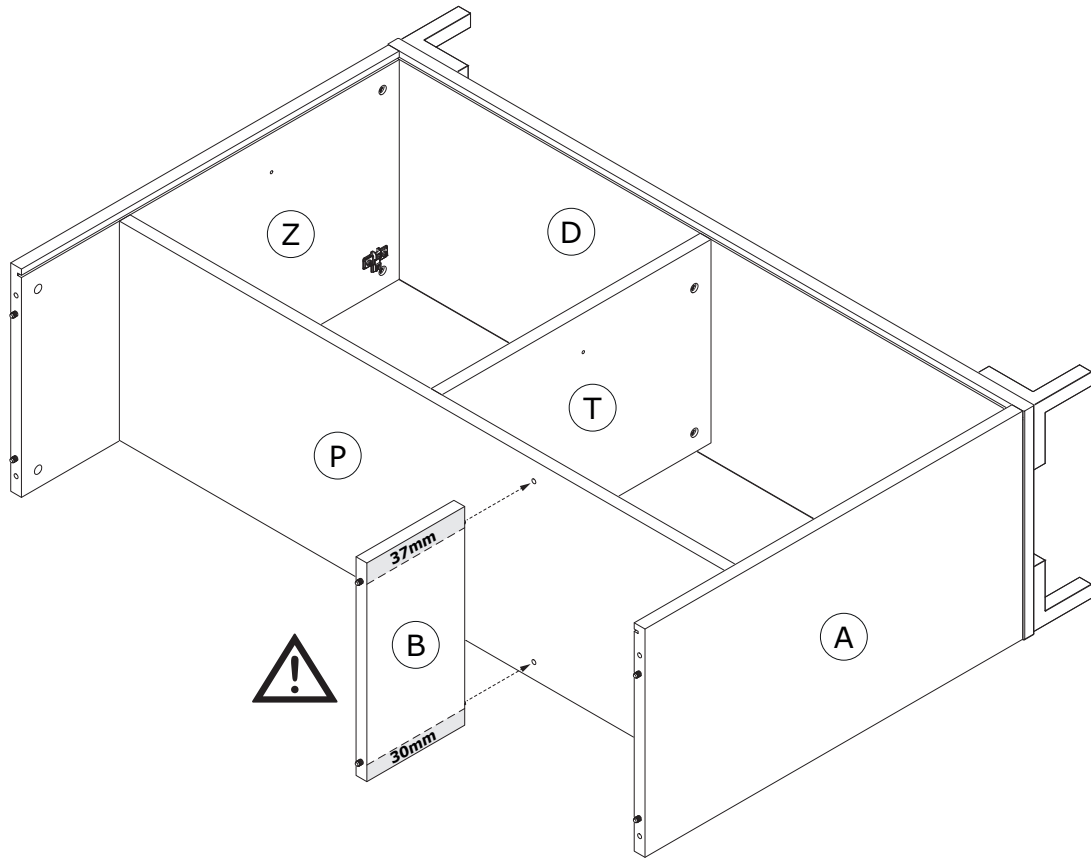
13



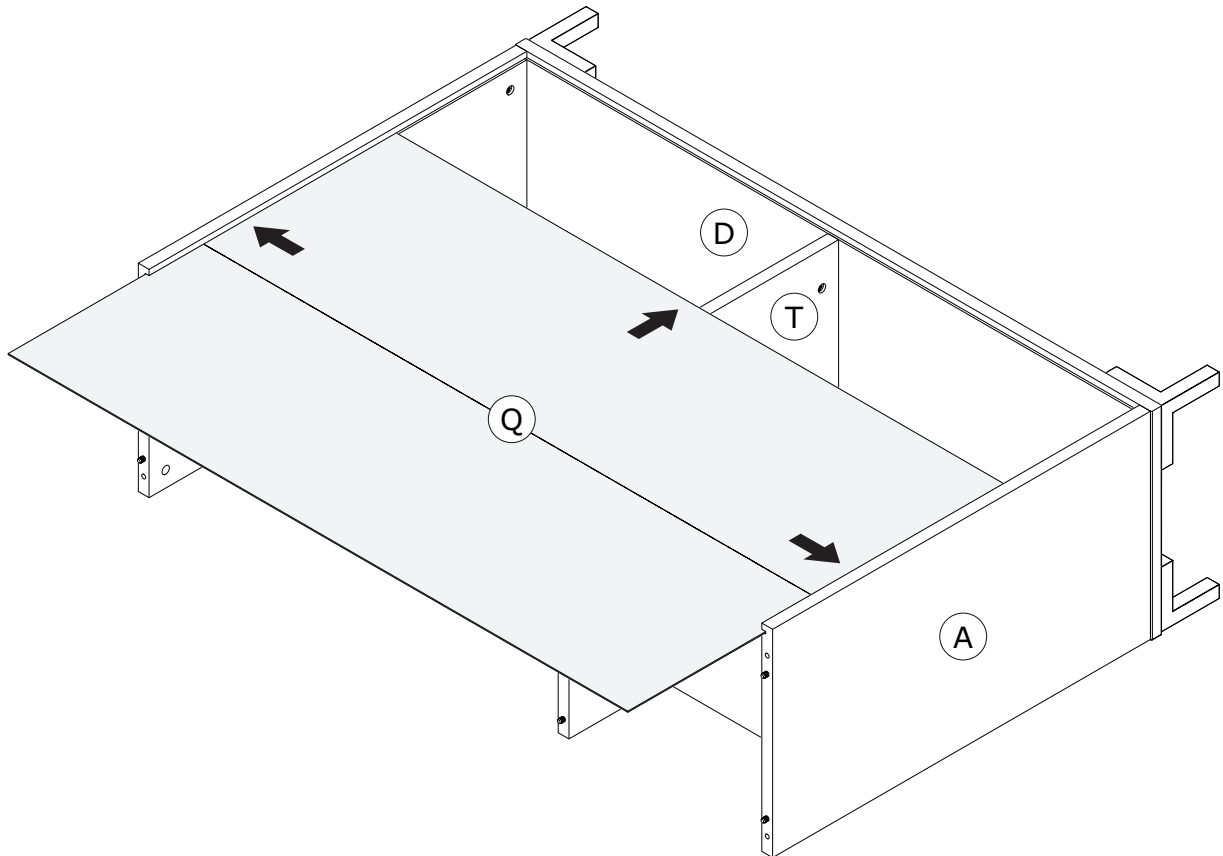
14



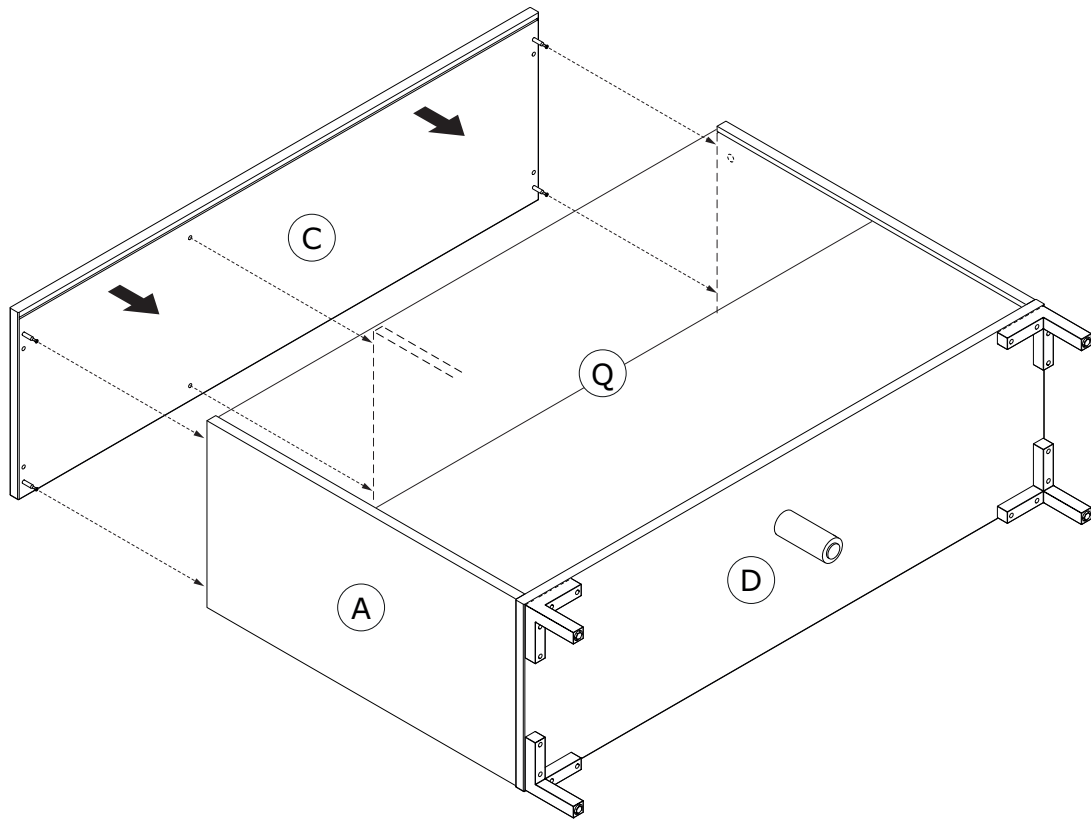
15



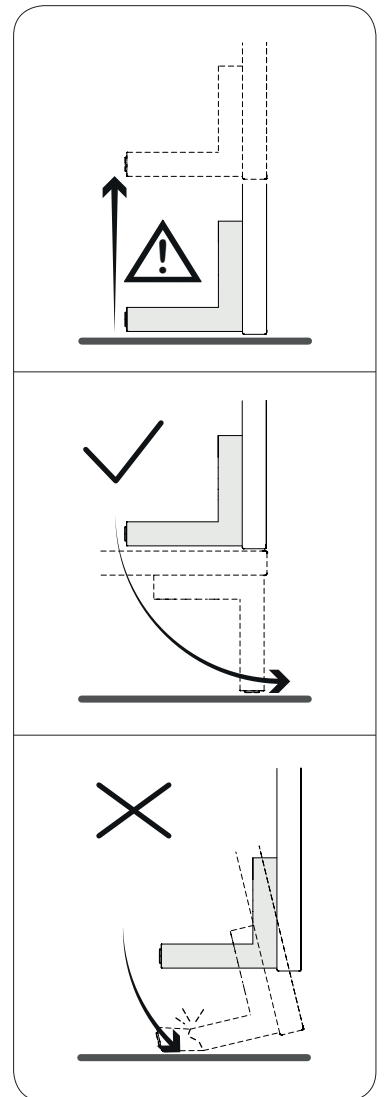
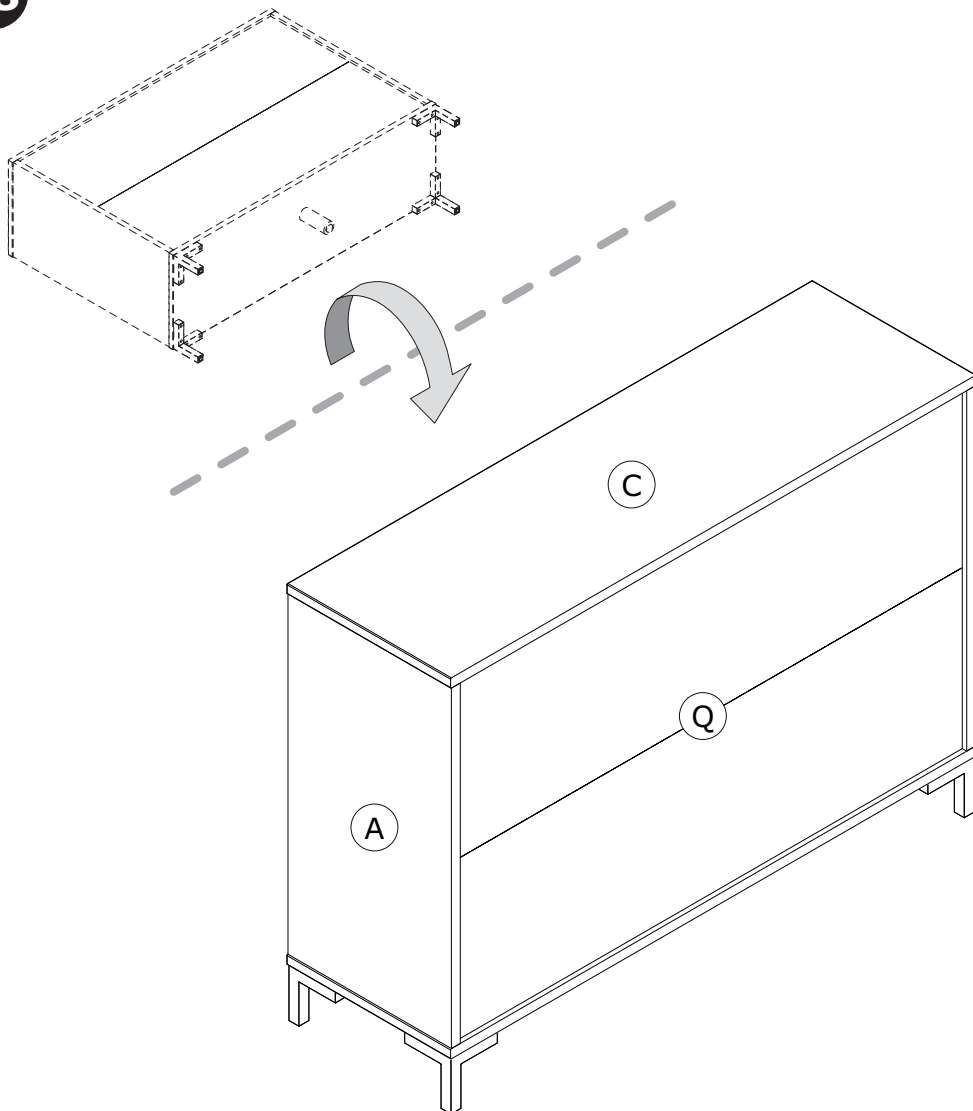
16



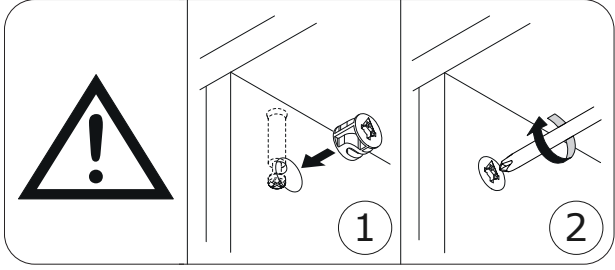
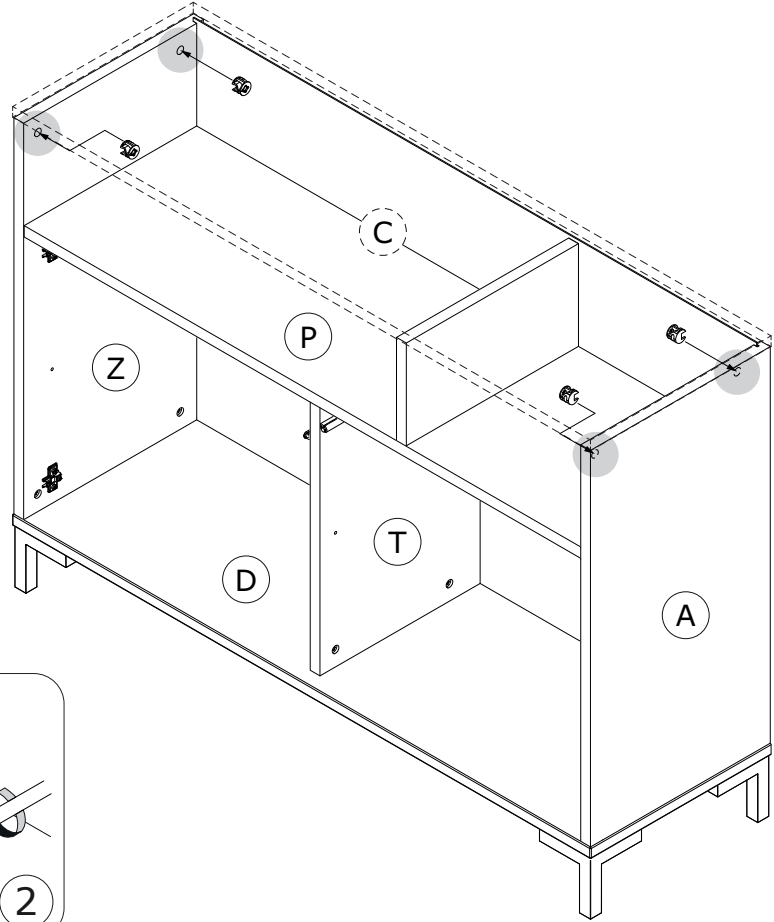
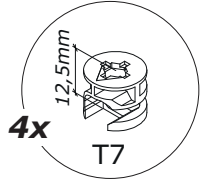
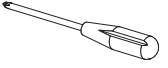
17



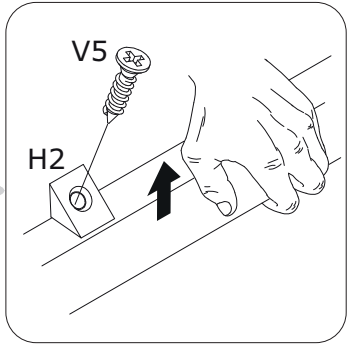
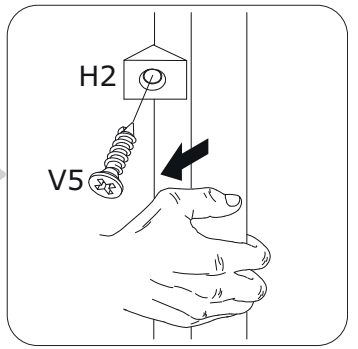
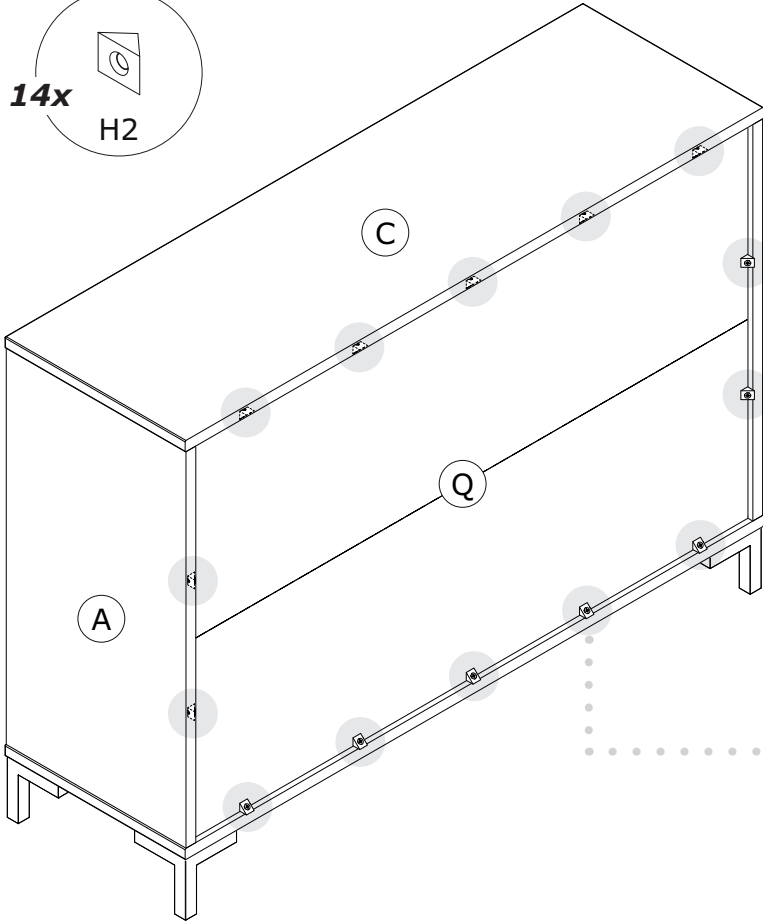
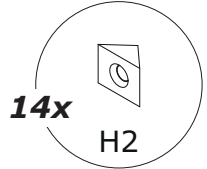
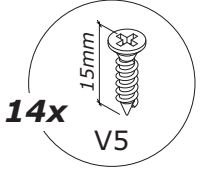
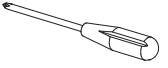
18



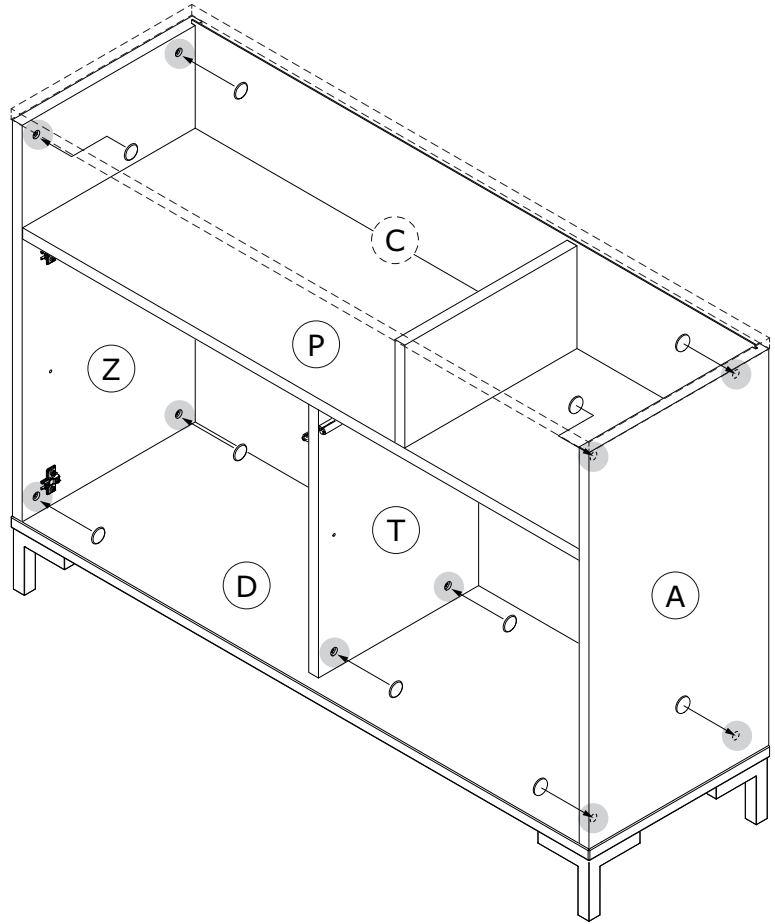
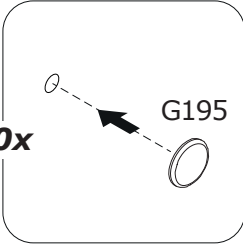
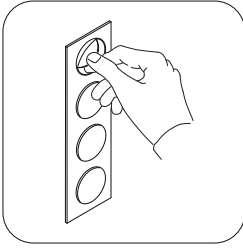
19



20



21



22

