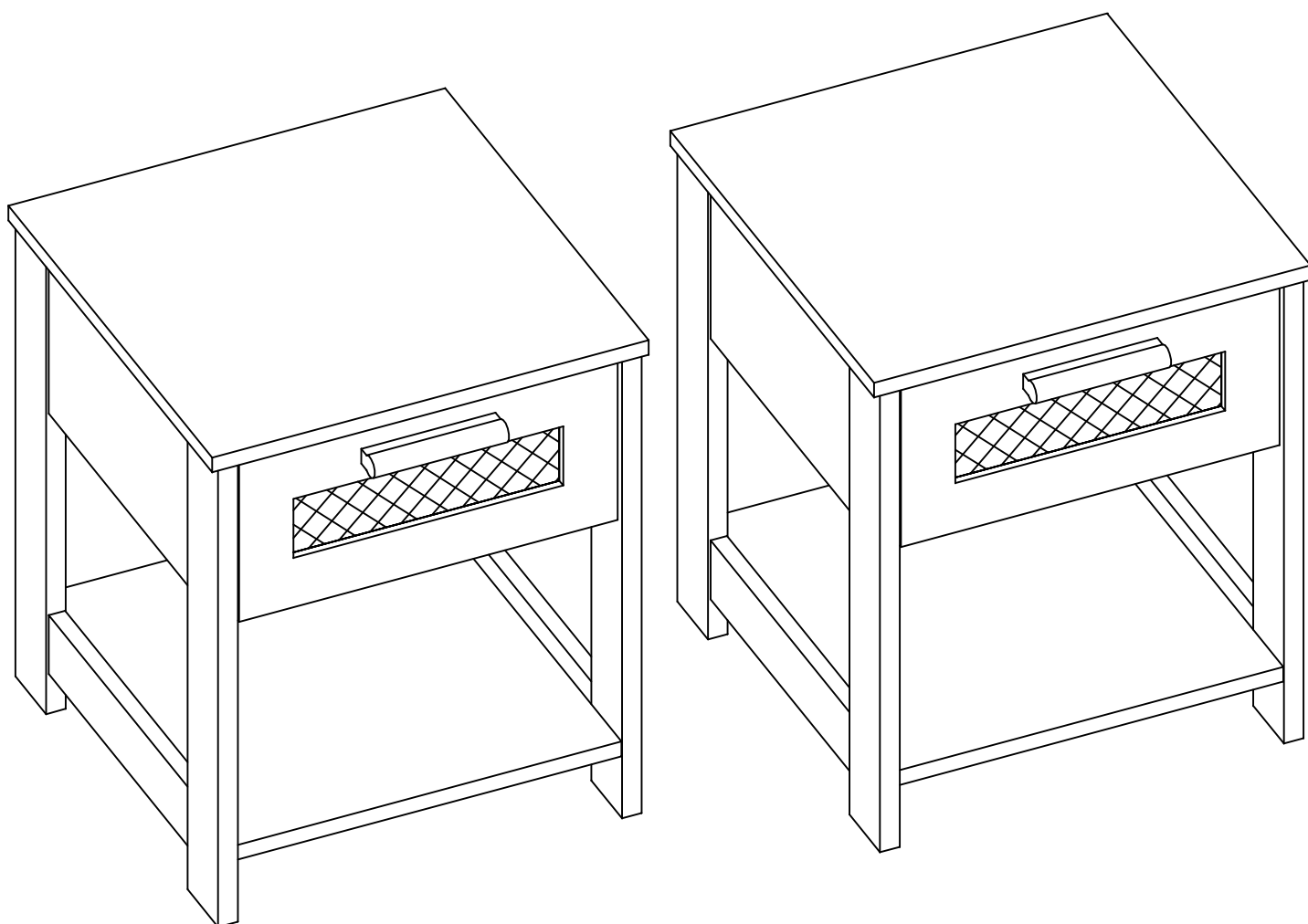
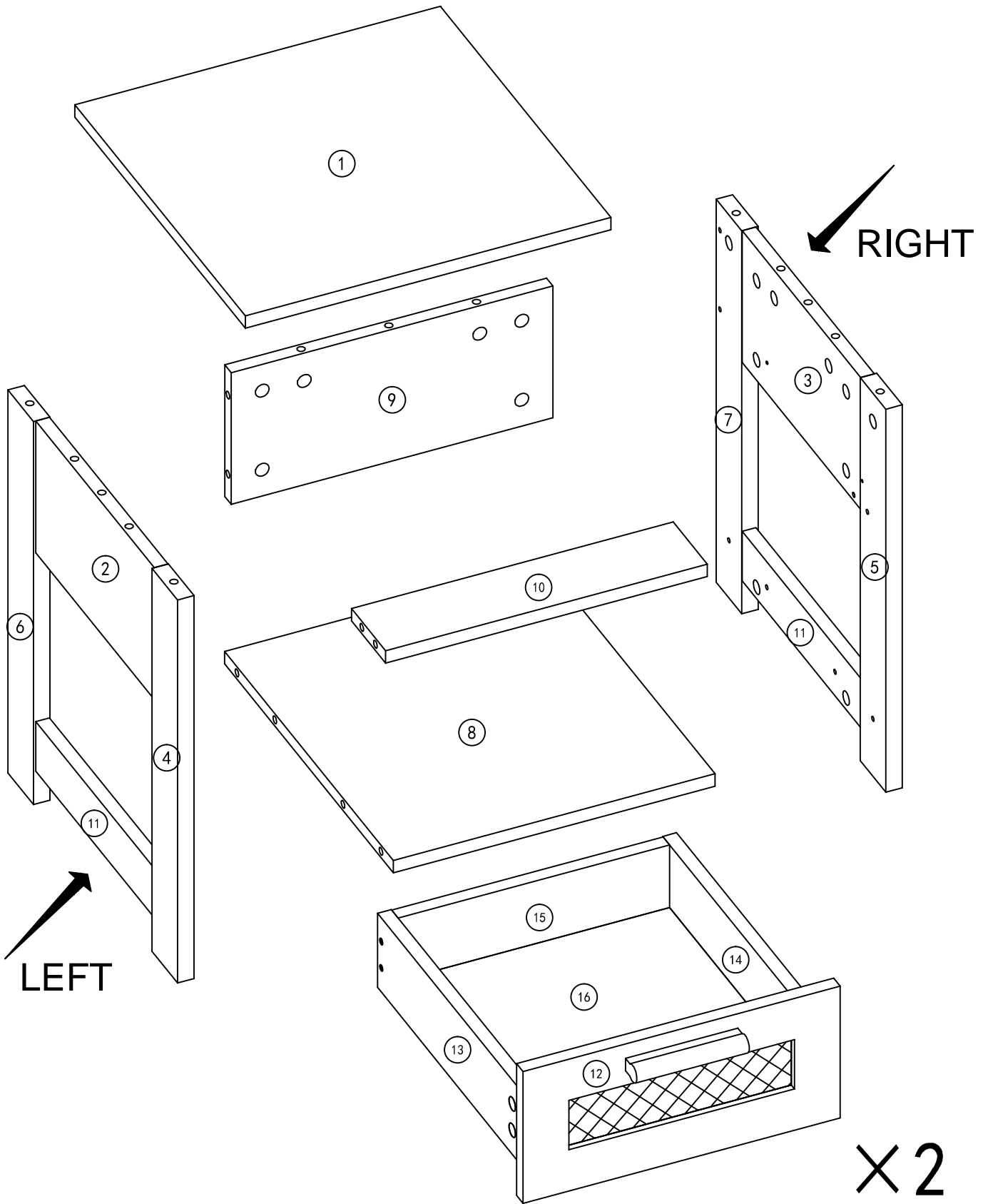
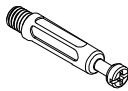

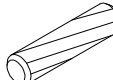
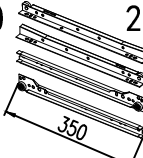
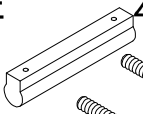
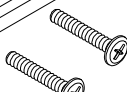
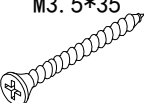




Assembly Instructions

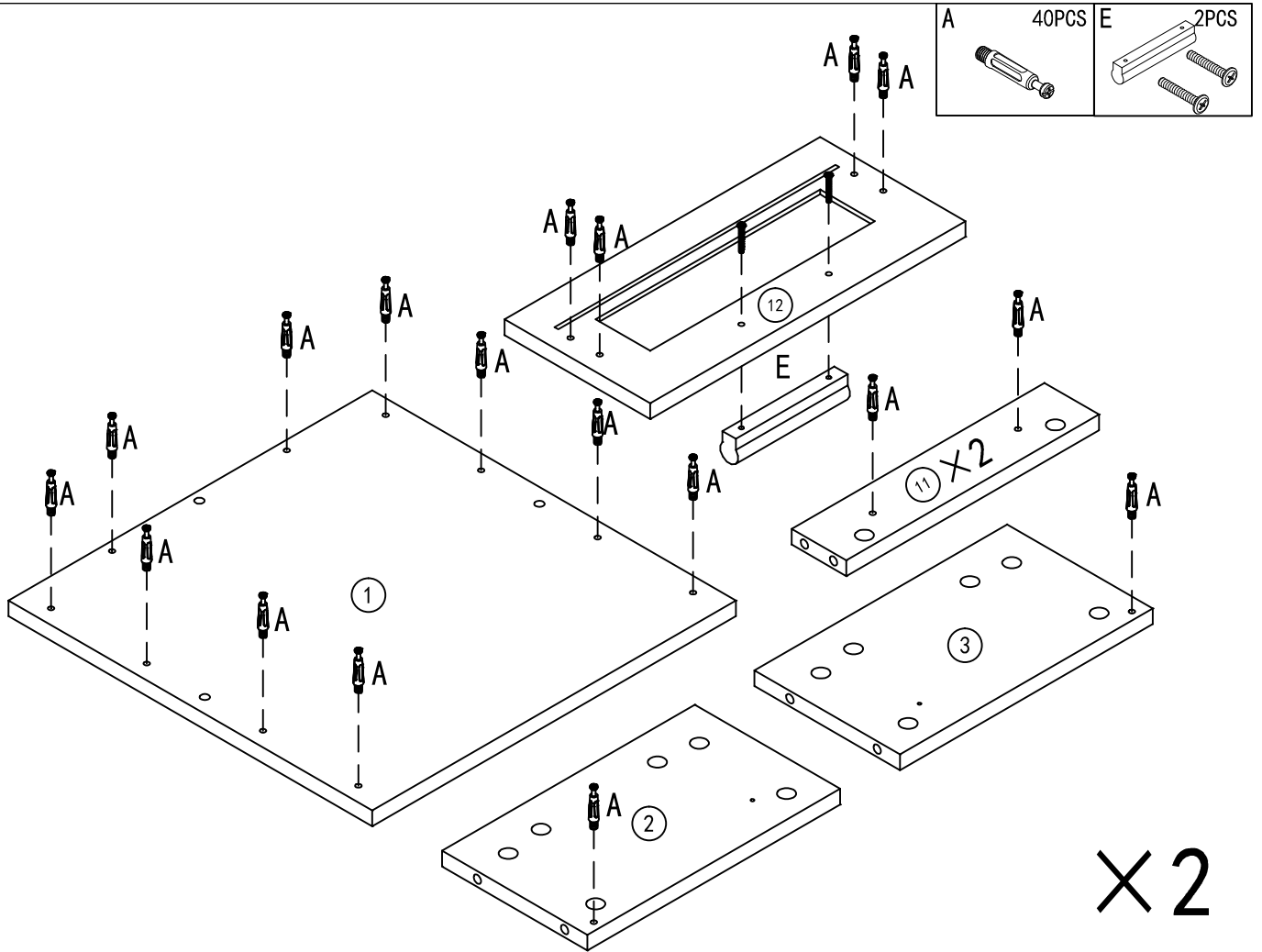
W167382609



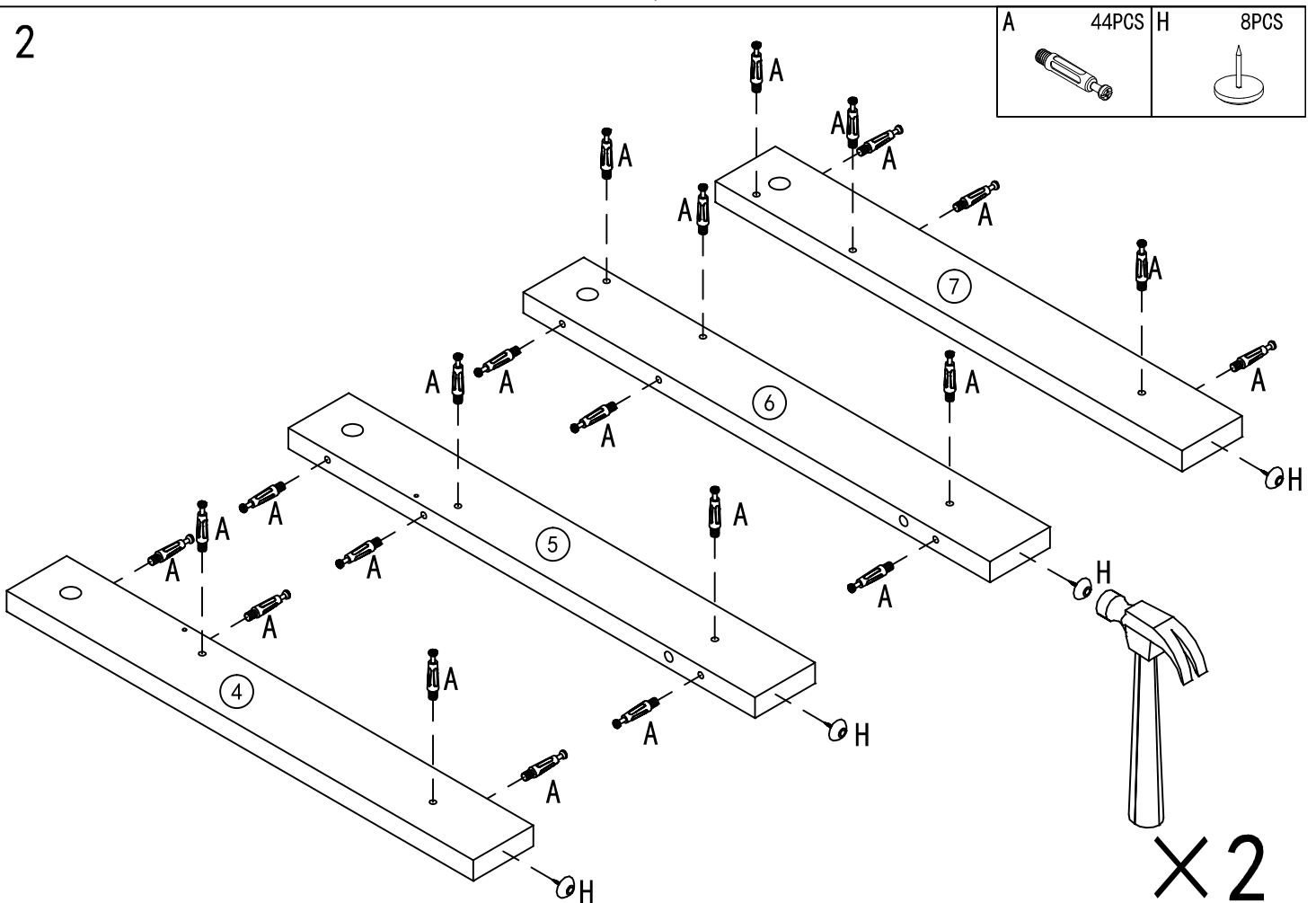


A 84PCS 	B 84PCS $\Phi 15 \times 11$ 	C 14PCS $\Phi 8 \times 40$ 	D 2SET DR DL CR CL 350 
E 2PCS  	F 8PCS $M3.5 \times 35$ 	G 16PCS $M3.5 \times 14$ 	H 8PCS 


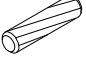
1

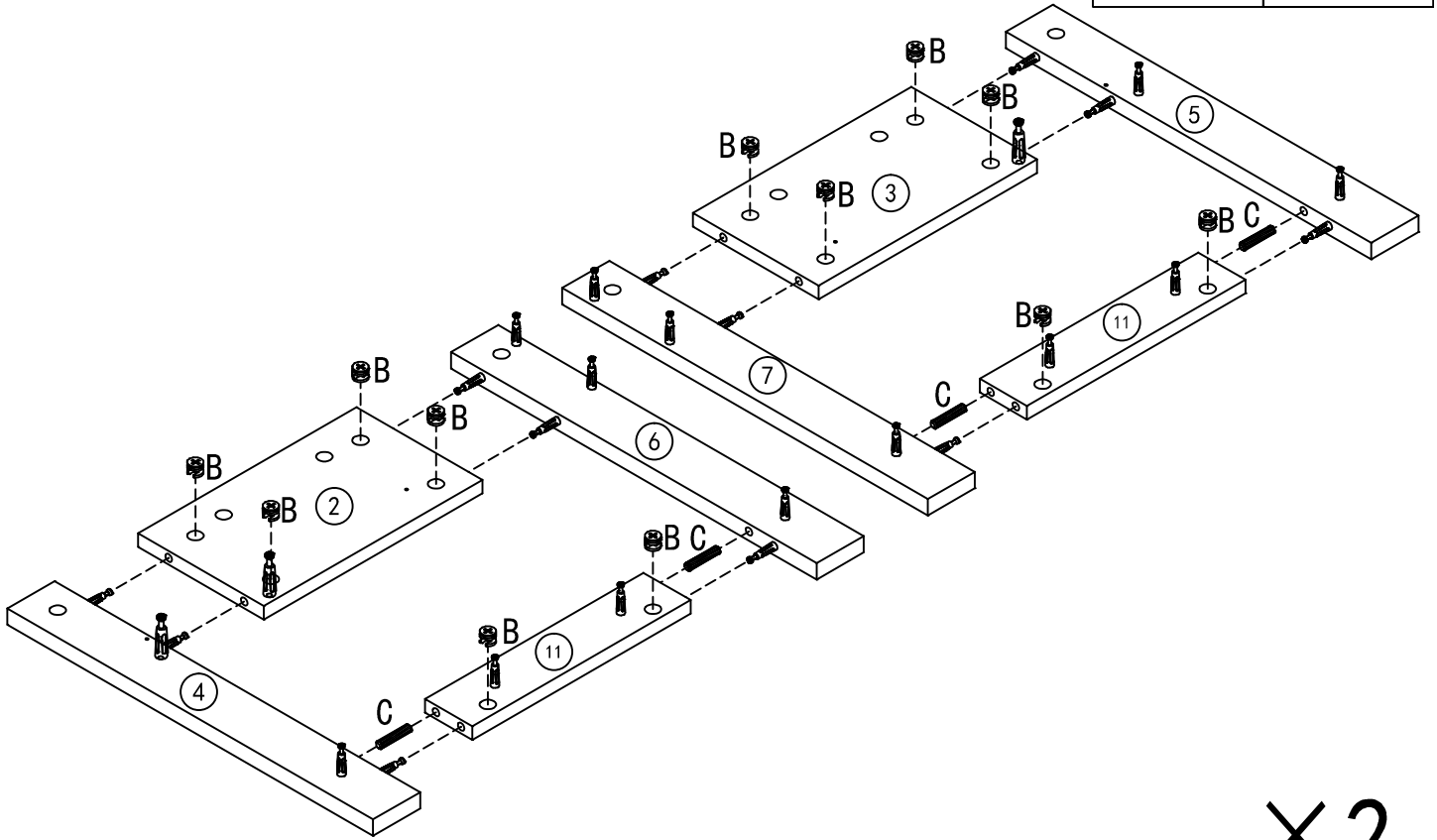


2





3

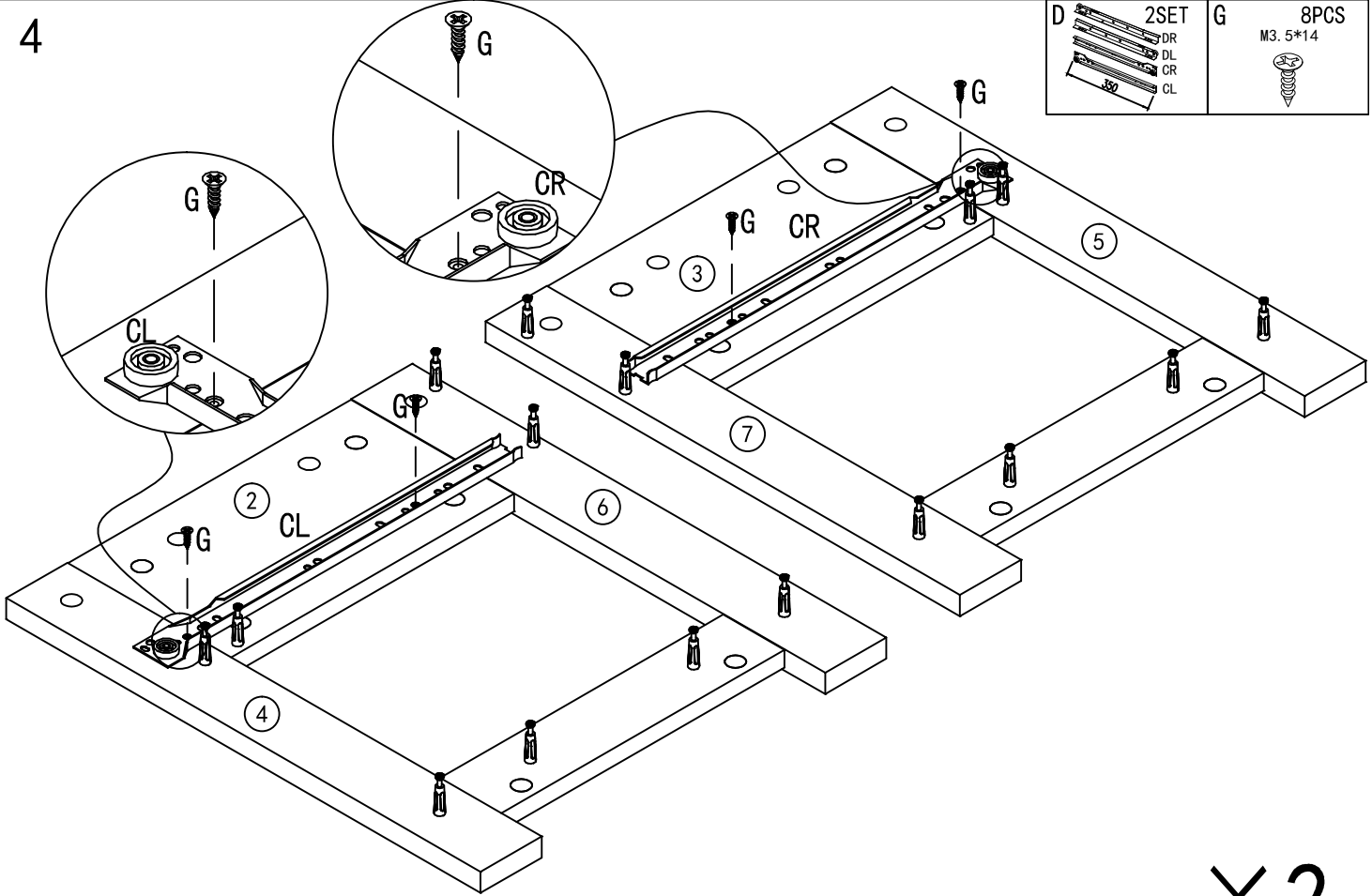
B	24PCS Φ15*11	C	8PCS Φ8*40
			



×2


4

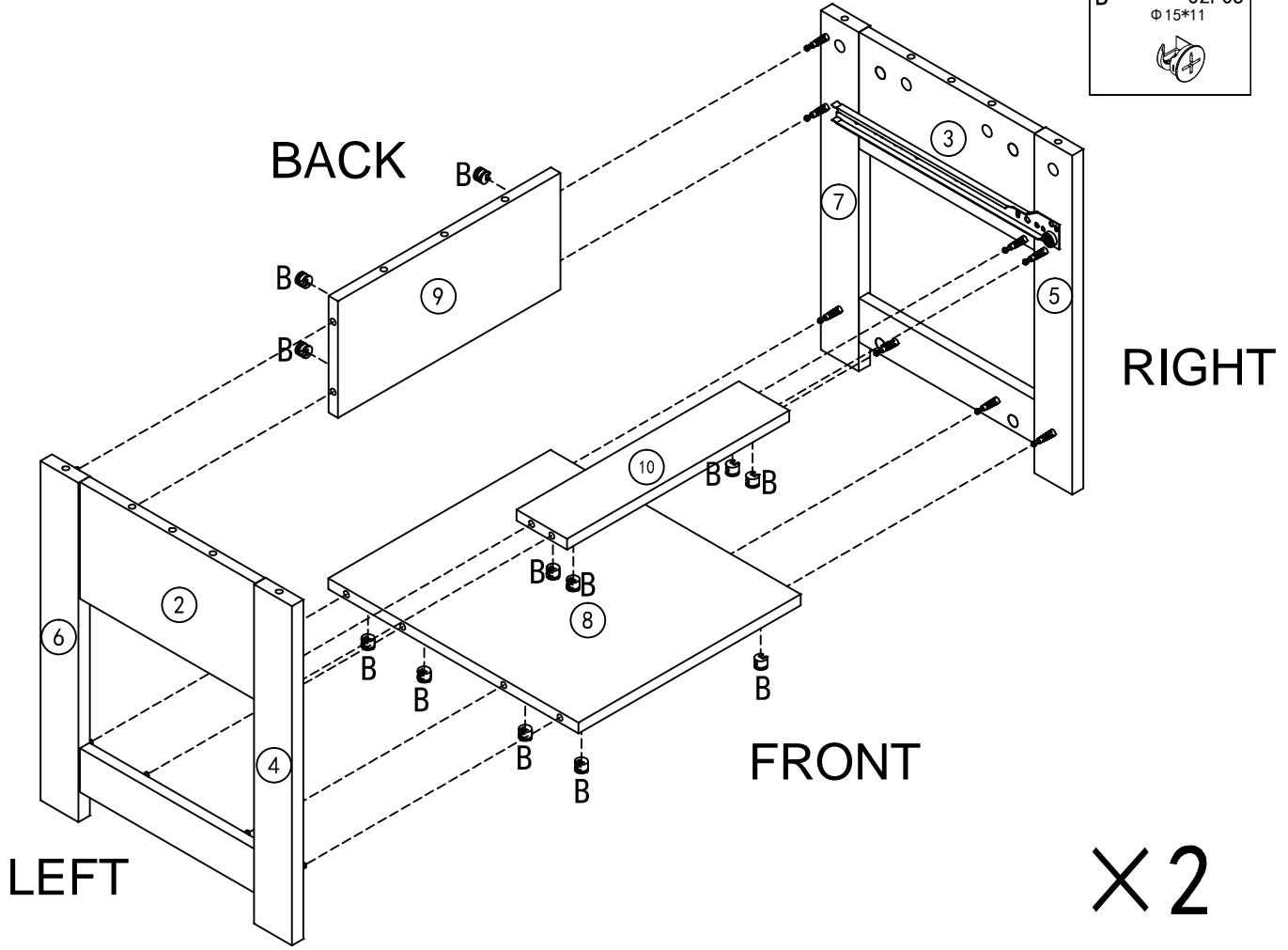
D	2SET DR DL CR CL	G	8PCS M3.5*14
			




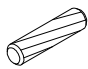
×2

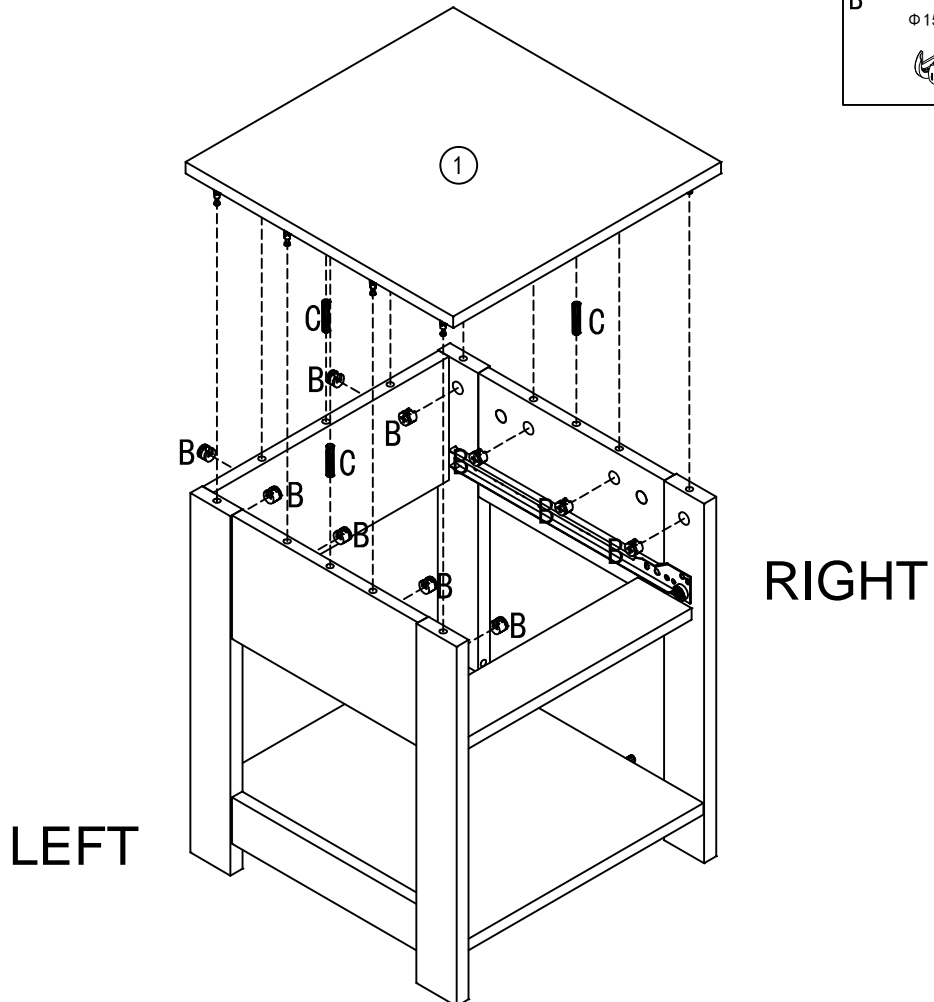
5

B	32PCS
	Φ 15*11
	

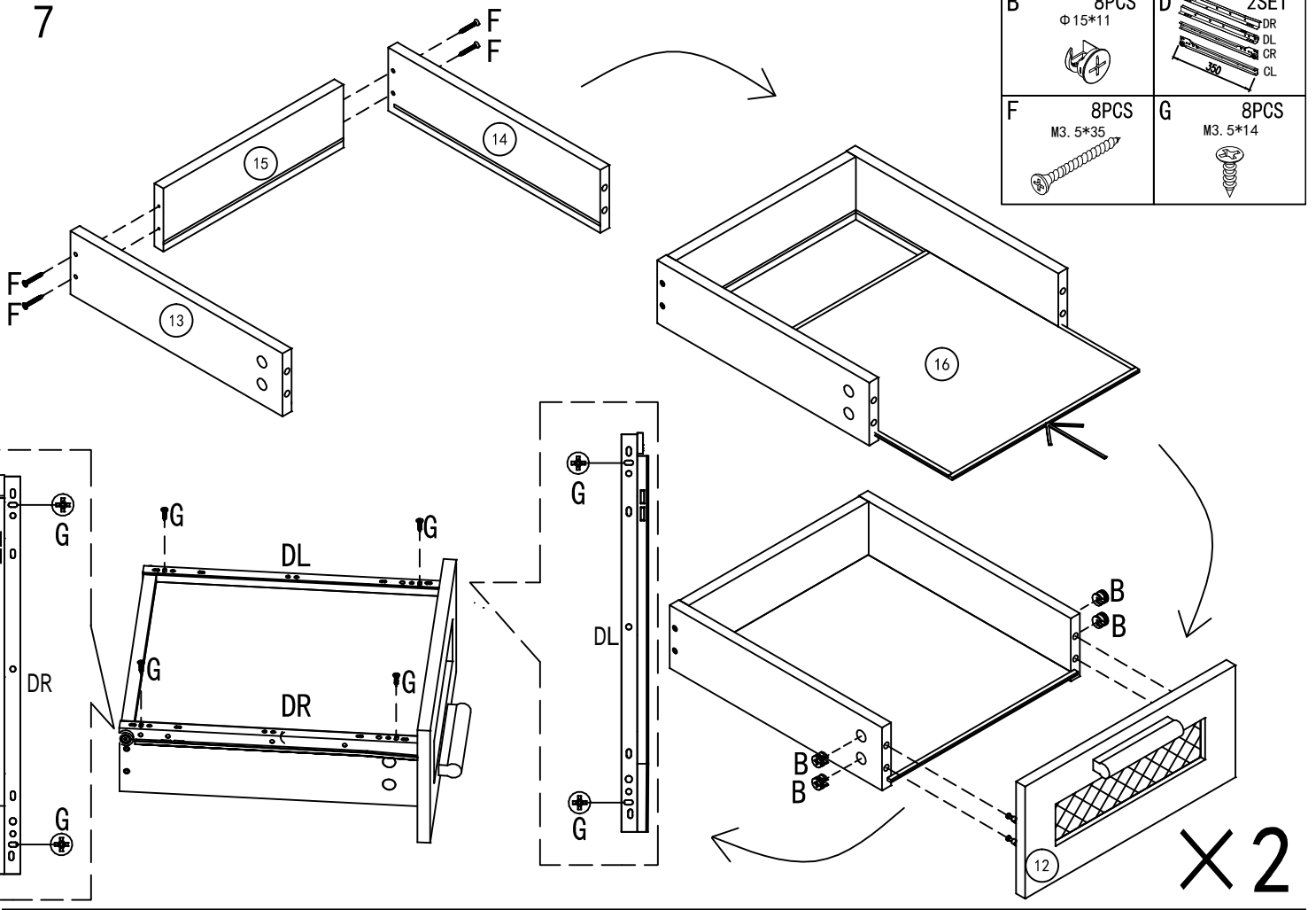


6

B	20PCS	C	6PCS
	Φ 15*11		Φ 8*40
			



7



8

