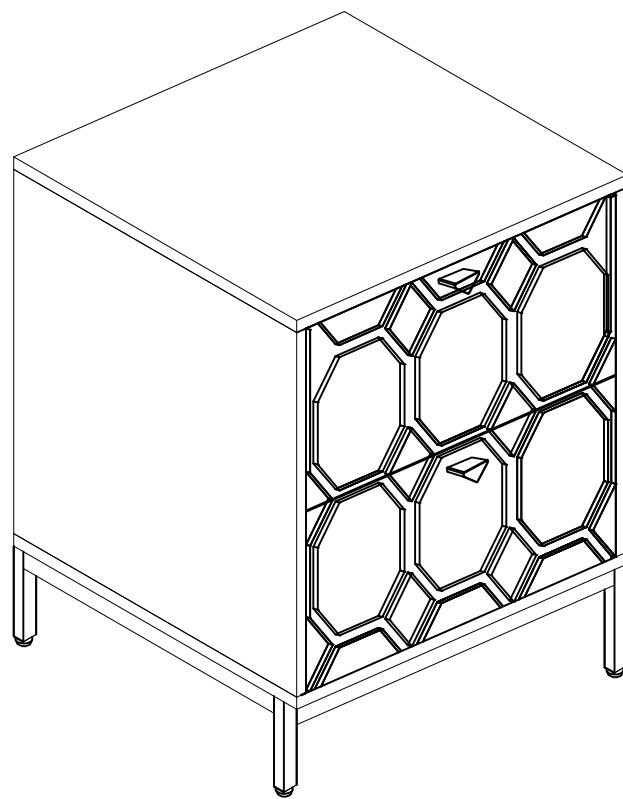


# ASSEMBLY INSTRUCTIONS



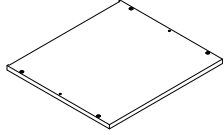
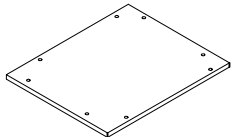
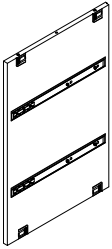
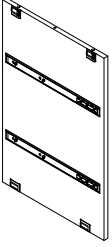
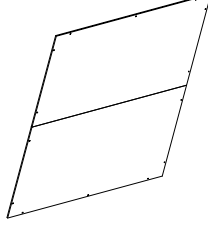
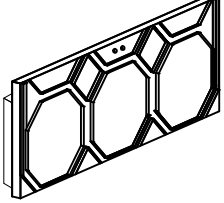
Phone number:303-747-4421

service@clihome.net

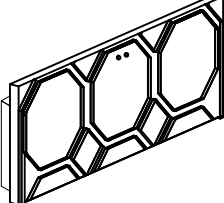
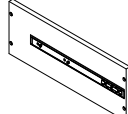
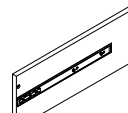
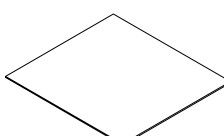
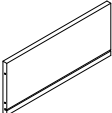
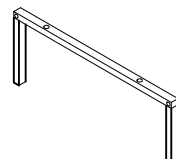
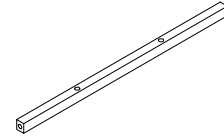
Web:www.clihome.net

# ASSEMBLY INSTRUCTIONS

## Part List:

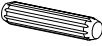





| ITEM | DESCRIPTION          | PART  | QTY |
|------|----------------------|---|-----|
| 1    | Top panel            |    | 1   |
| 2    | Bottom panel         |    | 1   |
| 3    | Left side panel      |  | 1   |
| 4    | Right side panel     |  | 1   |
| 5    | Back panel           |  | 1   |
| 6    | Upper drawer surface |  | 1   |

## Part List:







| ITEM | DESCRIPTION          | PART  | QTY |
|------|----------------------|---|-----|
| 7    | Lower drawer surface |    | 1   |
| 8    | drawer left side     |    | 2   |
| 9    | drawer right side    |   | 2   |
| 10   | drawer bottom        |  | 2   |
| 11   | drawer back          |  | 2   |
| 12   | Side leg             |  | 2   |
| 13   | Crossbar             |  | 2   |

## ASSEMBLY INSTRUCTION

## Hardware List:

| ITEM | DESCRIPTION   | PART  | QTY |
|------|---------------|---|-----|
| A    | Wooden dowel  | <br>Φ8*30mm      | 4   |
| B    | Bolt          | <br>Φ1/4"*1-1/8" | 8   |
| C    | Allen wrench  |                  | 1   |
| D    | Handle        |                  | 2   |
| E    | Machine screw | <br>Φ5/32"*4/5"  | 4   |
| F    | Back screw    | <br>Φ3*12mm      | 14  |
|      |               |   |     |

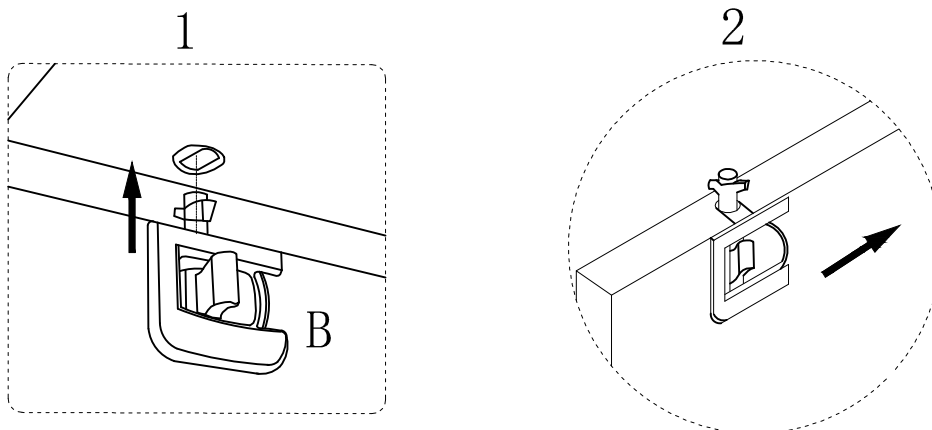
## Hardware List:

| ITEM | DESCRIPTION       | PART  | QTY |
|------|-------------------|---|-----|
| G    | Bolt              | <br>Φ1/4"*1-1/2" | 4   |
| H    | Grub screw        | <br>Φ4*25mm      | 16  |
| I    | Safety wall strap |                  | 1   |
| J    | Plastic anchor    |                  | 1   |
| K    | Mounting screw    | <br>Φ4*38mm      | 1   |
| L    | Washer            |                 | 1   |
|      |                   |   |     |

## ASSEMBLY INSTRUCTION

- \* Required screwdriver & mallet, not included.
- \* Before discarding packing materials, please check to make sure that all parts and hardware is present.
- \* Two people needed for assembly.
- \* Please follow the instructions closely; do not over tighten screws or bolts unless instructed.
- \* After a few days from initial assembly, the product may have acclimated to the new environment. Please retighten the hardware.

### Fastener installation procedure guide (1 and 2)

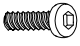




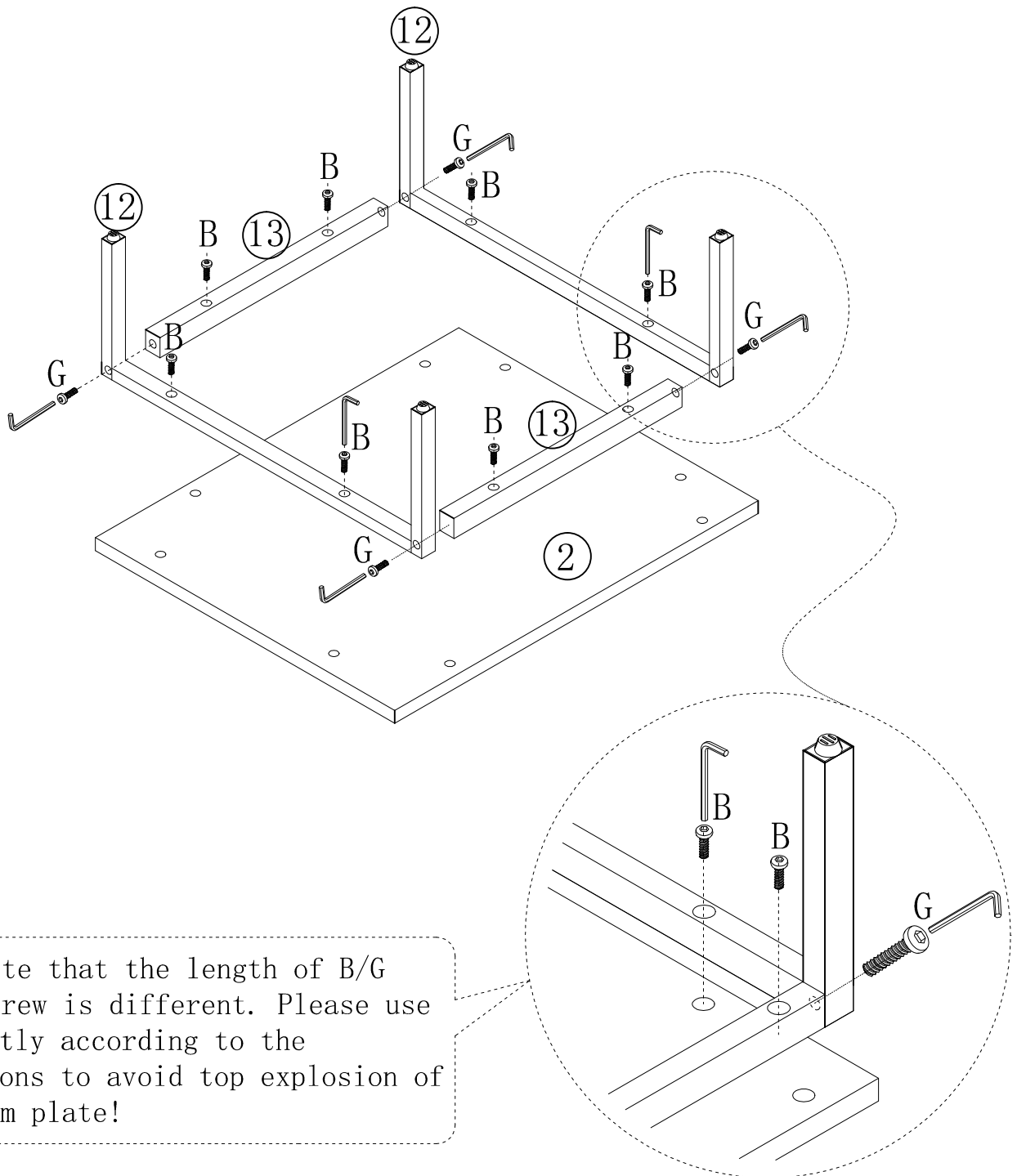
Align the cross shape of fastener "B" on the vertical plate with the hole position on the top plate and bottom plate,

Press and hold the fastener door latch firmly towards the notch direction,

If the fastener is hard to press, it may be easier to use a wooden stopper.

## STEP 1


|    |   |      |
|----|---|------|
| B: |  | 8PCS |
| C: |  | 1PC  |
| G: |  | 4PCS |

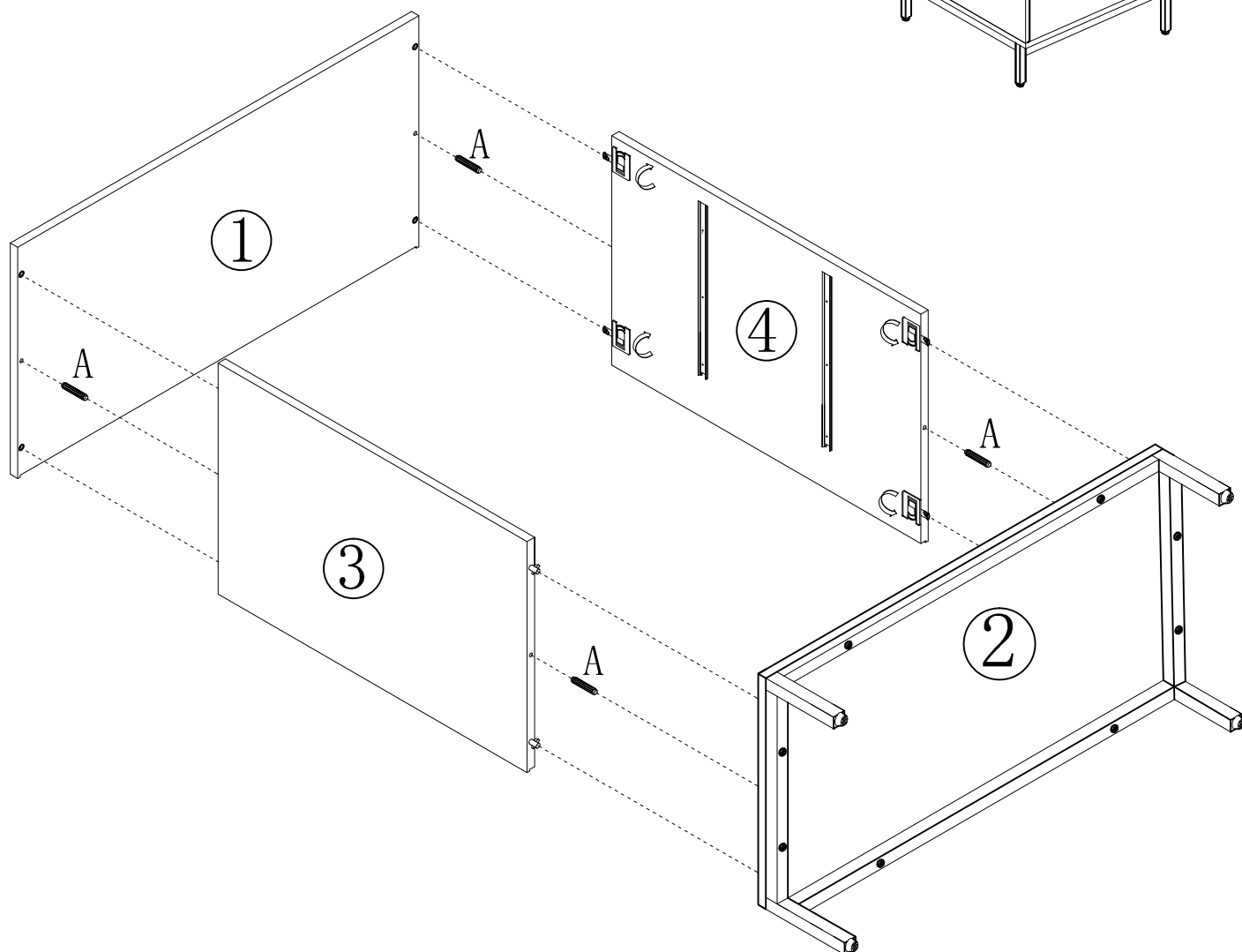
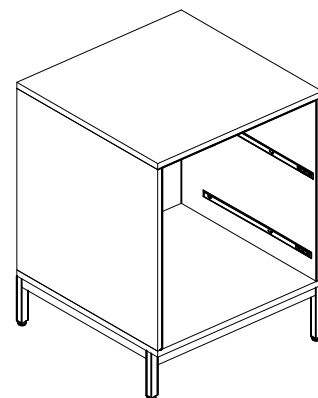


Please note that the length of B/G number screw is different. Please use it correctly according to the instructions to avoid top explosion of the bottom plate!



# ASSEMBLY INSTRUCTION

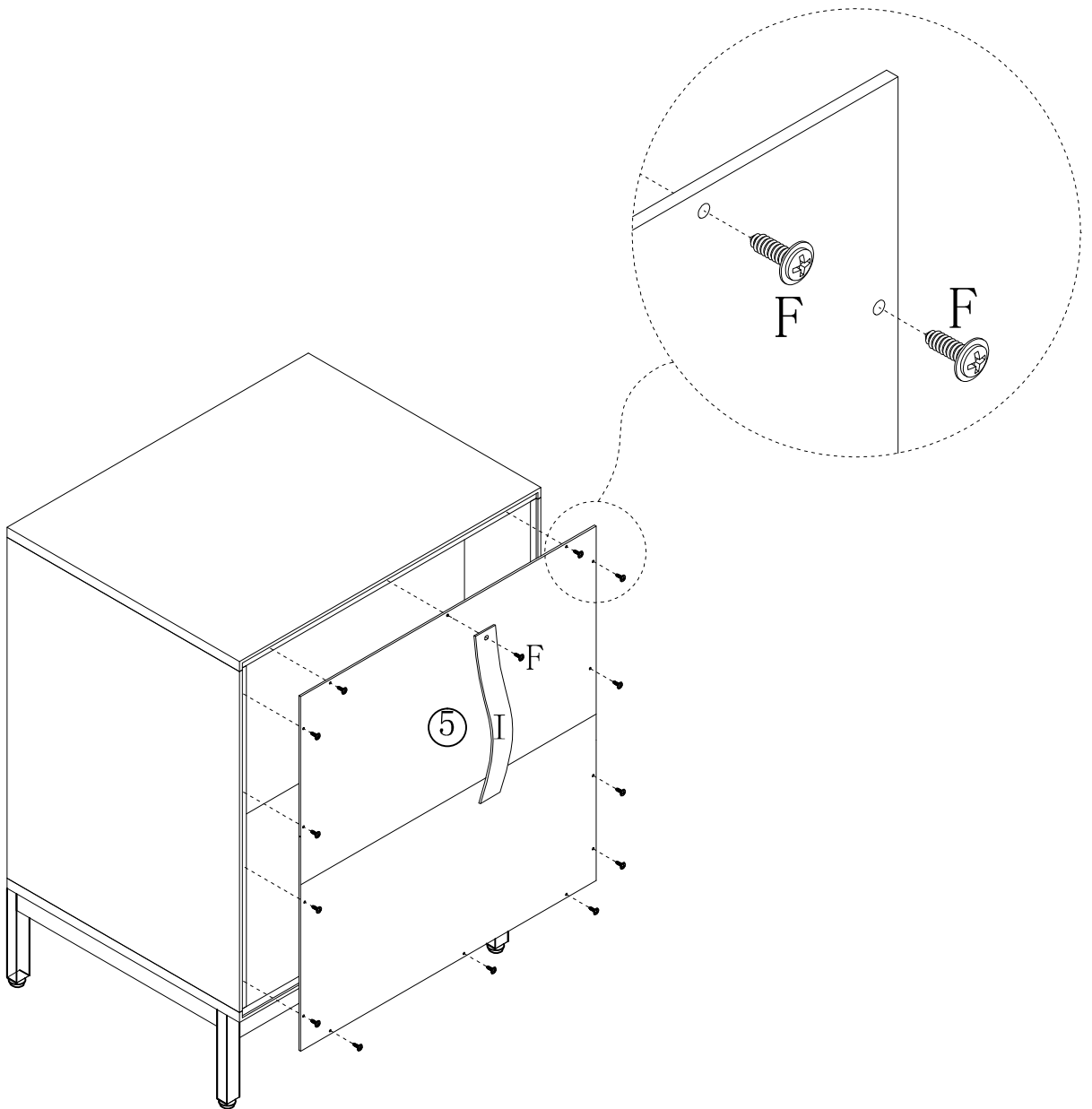
## STEP 2

A:  4PCS






## STEP 3

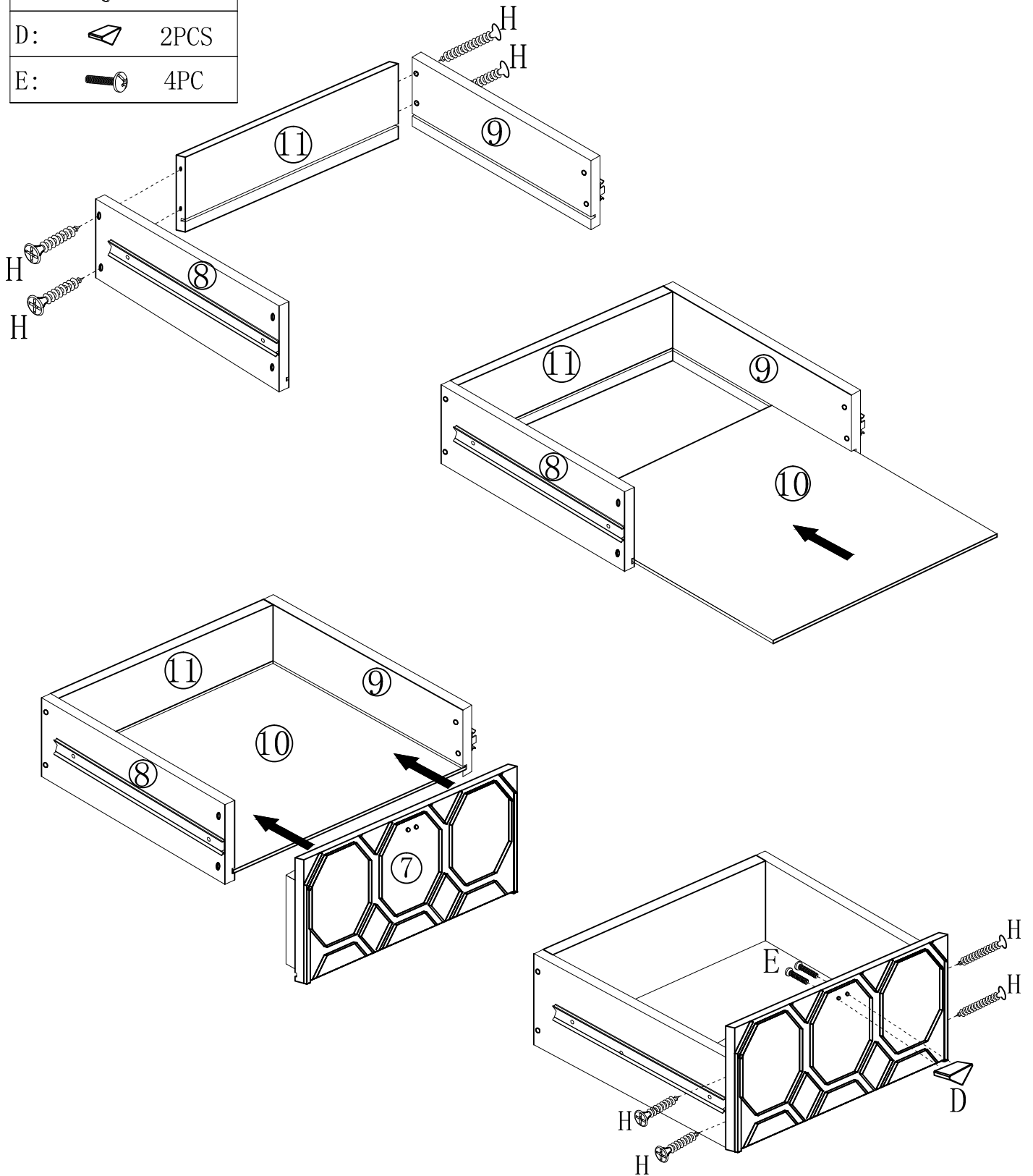
|    |   |       |
|----|---|-------|
| F: |  | 14PCS |
| I: |  | 1PC   |



# ASSEMBLY INSTRUCTION

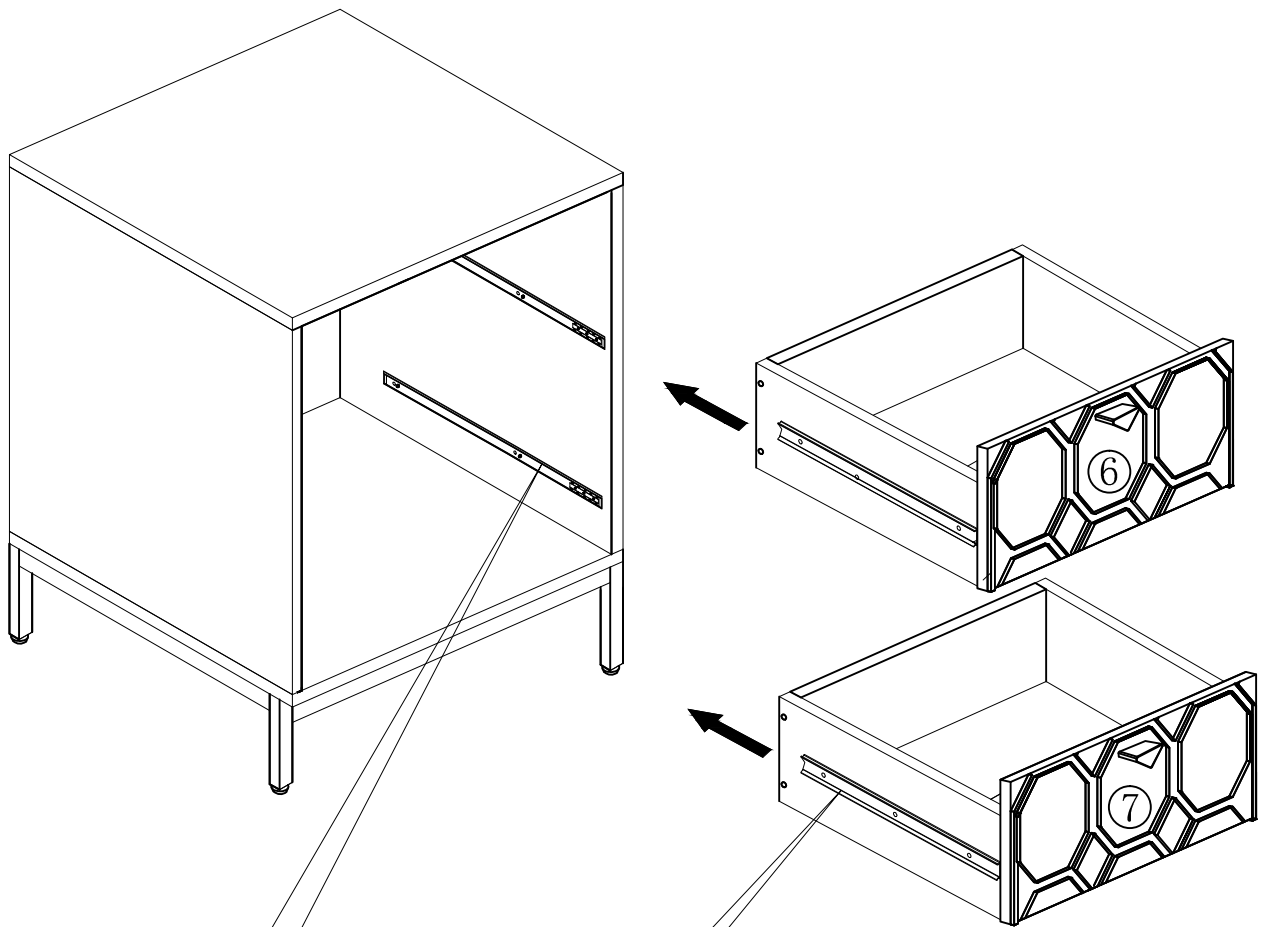
## STEP 4

|    |   |       |
|----|---|-------|
| H: |  | 16PCS |
| D: |  | 2PCS  |
| E: |  | 4PCS  |



# ASSEMBLY INSTRUCTION

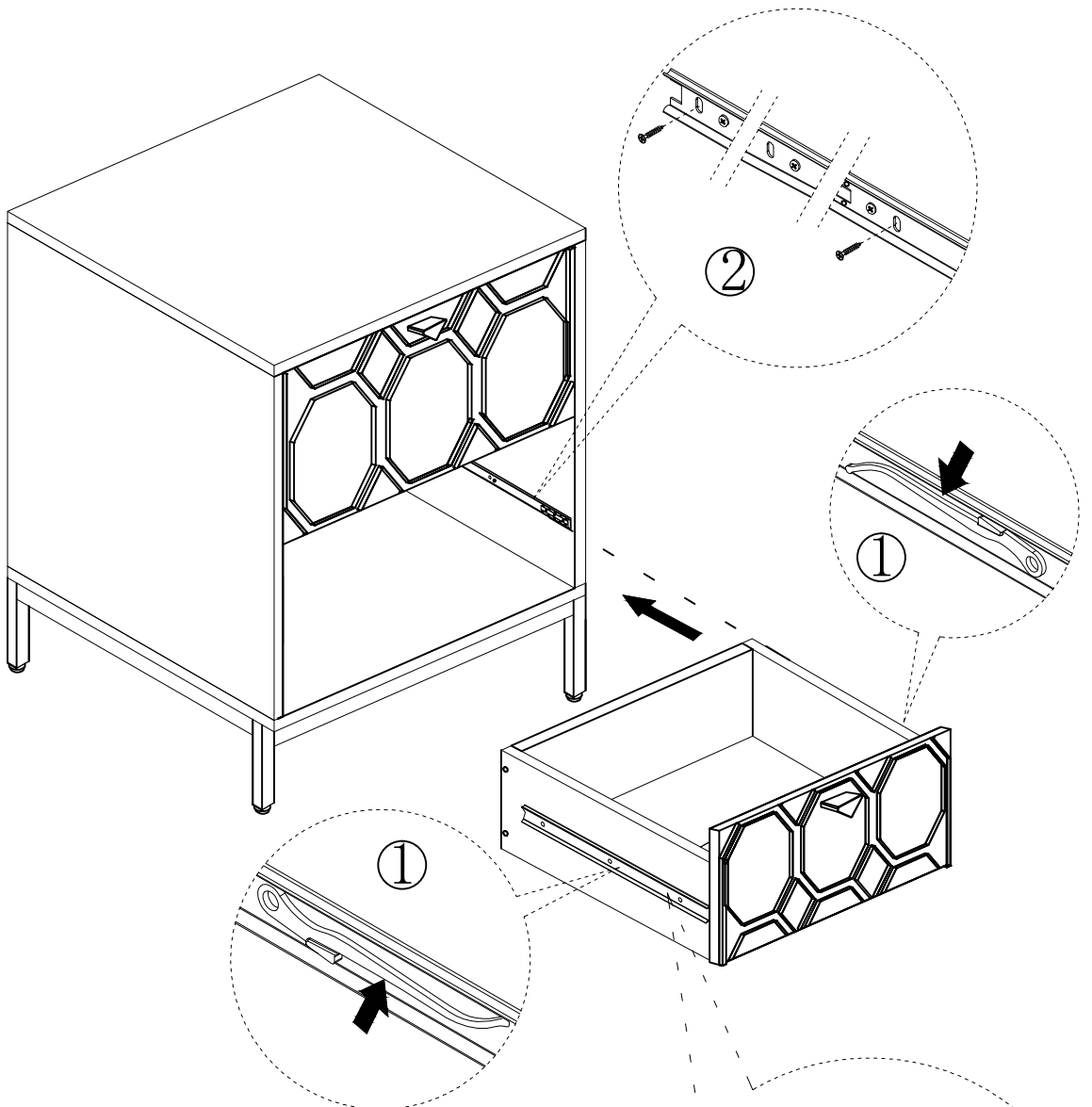
## STEP 5



Tip: the front of the drawer, if there is tilt, do not force out, can be adjusted according to these two positions, please refer to the following steps.

## ASSEMBLY INSTRUCTION

## STEP 6






1. Hold down the PVC buckle on the rails on both sides of the suction drum, and gently pull out the suction drum;

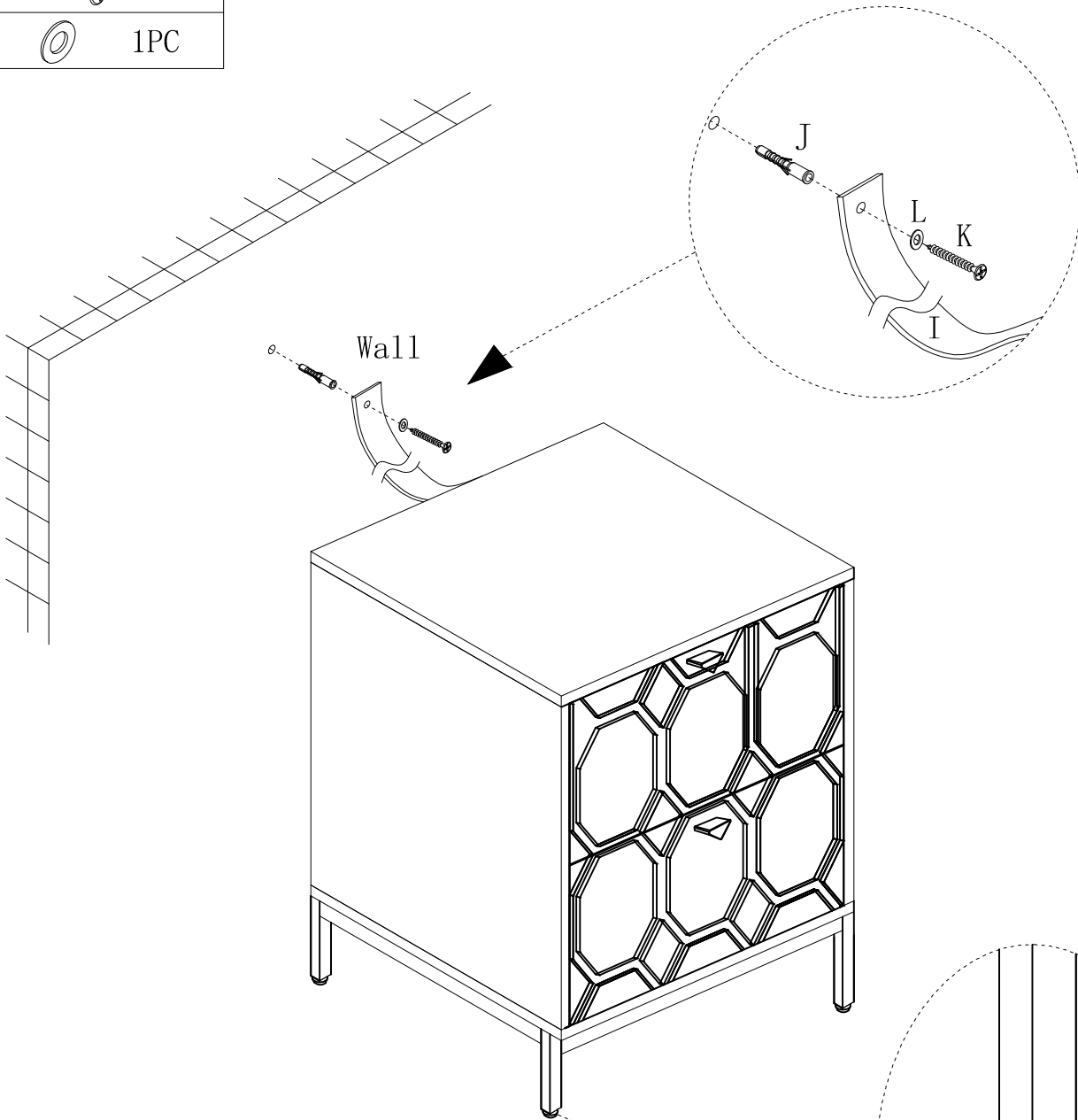
2. Loosen the screw of the original fixed track on the suction drum and the side plate, lock it up and fix it by adjusting the position of the hole next to it up and down, then install it into the suction drum.

# ASSEMBLY INSTRUCTION

## STEP 7

|    |   |     |
|----|---|-----|
| J: |  | 1PC |
| K: |  | 1PC |
| L: |  | 1PC |

For safety reasons,  
it is recommended to install  
safety wall strap to fix the item



After installation, adjust the  
adjustable foot to keep the cabinet  
balanced and align the door.

