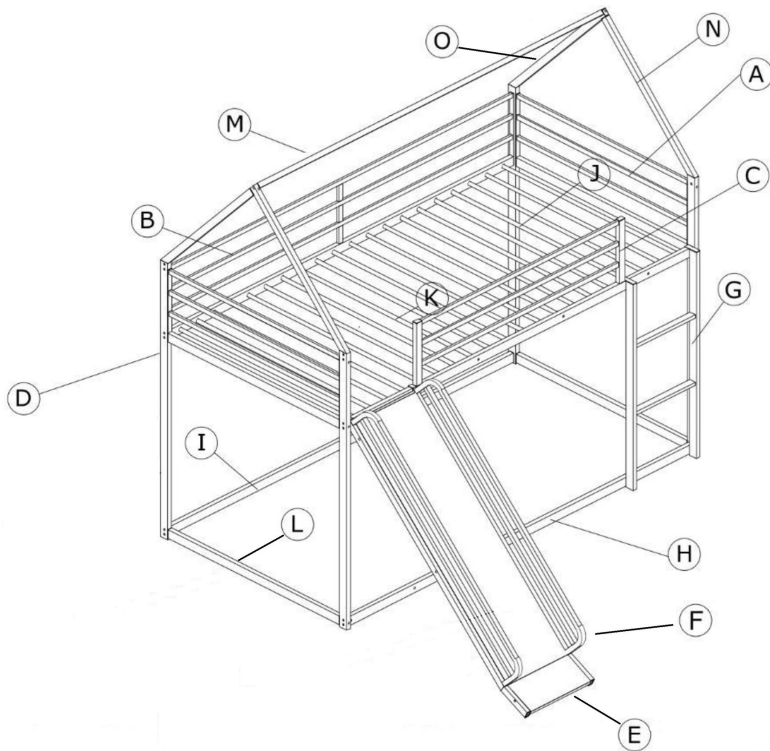
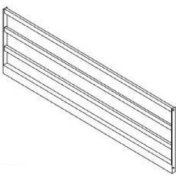
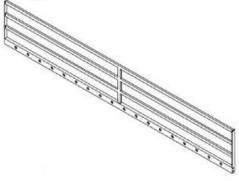
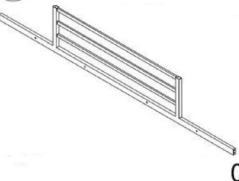

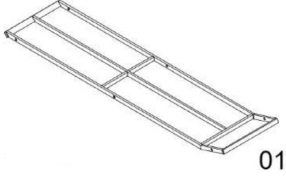
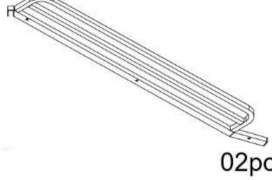









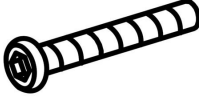
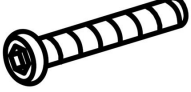
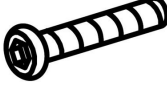
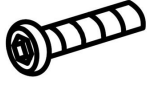





TWIN HOUSE BUNK BED WITH SLIDE ASSEMBLY INSTRUCTIONS METAL BED



<p>A Guard Handrail</p>  <p>02pcs</p>	<p>B Guard Bar</p>  <p>01pc</p>	<p>C Guard Bar</p>  <p>01pc</p>	<p>D Legs</p>  <p>04pcs</p>
<p>E Slide Frame</p>  <p>01pc</p>	<p>F Slides Guard</p>  <p>02pcs</p>	<p>G Stair</p>  <p>01pc</p>	<p>H Hip Brace</p>  <p>01pc</p>
<p>I Hip Brace</p>  <p>01pc</p>	<p>J Slats</p>  <p>16pcs</p>	<p>K Slats</p>  <p>04pcs</p>	<p>L Hip Brace</p>  <p>02pcs</p>
<p>M Upper Bar</p>  <p>01pc</p>	<p>N Cross Ballast Bar</p>  <p>02pcs</p>	<p>O Cross Ballast Bar</p>  <p>02pcs</p>	

TWIN HOUSE BUNK BED WITH SLIDE ASSEMBLY INSTRUCTIONS

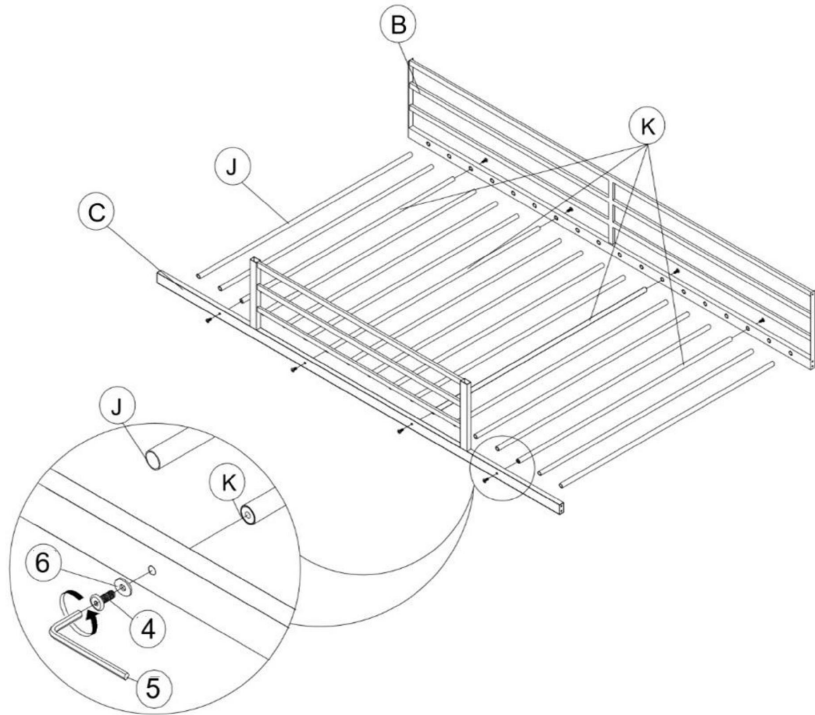
<p>① Bolts</p>  <p style="text-align: right;">M6*60 12 pcs</p>	<p>② Bolts</p>  <p style="text-align: right;">M6*40 22 pcs</p>	<p>③ Bolts</p>  <p style="text-align: right;">M6*30 8 pcs</p>	<p>④ Bolts</p>  <p style="text-align: right;">M6*20 12 pcs</p>
<p>⑤ Allen Key</p>  <p style="text-align: right;">4*59 01 pcs</p>	<p>⑥ Washer</p>  <p style="text-align: right;">Ø6*Ø16 58 pcs</p>	<p>⑦ Bolts</p>  <p style="text-align: right;">M6*15 4 pcs</p>	



IMPORTANT SAFETY NOTICE: READ CAREFULLY BEFORE BEGINNING ASSEMBLY!

- ⚠ Follow the information on the warnings appearing on the upper bunk end structure and on the carton. Do not remove warning label from the bed.
- ⚠ Always use the recommended size mattresses or mattress supports, or both, to help prevent the likelihood of entrapment or falls.
Recommend size of mattress: LENGTH: 74"-75" WIDTH: 38.5" THICKNESS: 6"MAX
- ⚠ Surface of mattress must be at least 5 in. (127mm) below the upper edge of guardrails.
- ⚠ Do not allow children under 6 years of age to use the upper bunk.
- ⚠ Periodically check and ensure that the guardrail, ladder, and other components are in their proper position, free from damage, and that all connectors are tight.
- ⚠ Do not allow horseplay on or under the bed and prohibit jumping on the bed.
- ⚠ Always use the ladder for entering and leaving the upper bunk.
- ⚠ Do not use substitute parts. Contact the manufacturer or dealer for replacement parts.
- ⚠ Use of a night light may provide added safety precaution for a child using the upper bunk.
- ⚠ Always use guardrails on both long sides of the upper bunk. If the bunk bed will be placed next to the wall, the guardrail that runs the full length of the bed should be placed against the wall to prevent entrapment between the bed and wall.
- ⚠ The use of water or sleep flotation mattress is prohibited.
- ⚠ **STRANGULATION HAZARD** - Never attach or hang items to any part of the bunk bed that are not designed for use with the bed; for example, but not limited to, hooks, belts and jump ropes.
- ⚠ Keep these instructions for future reference.

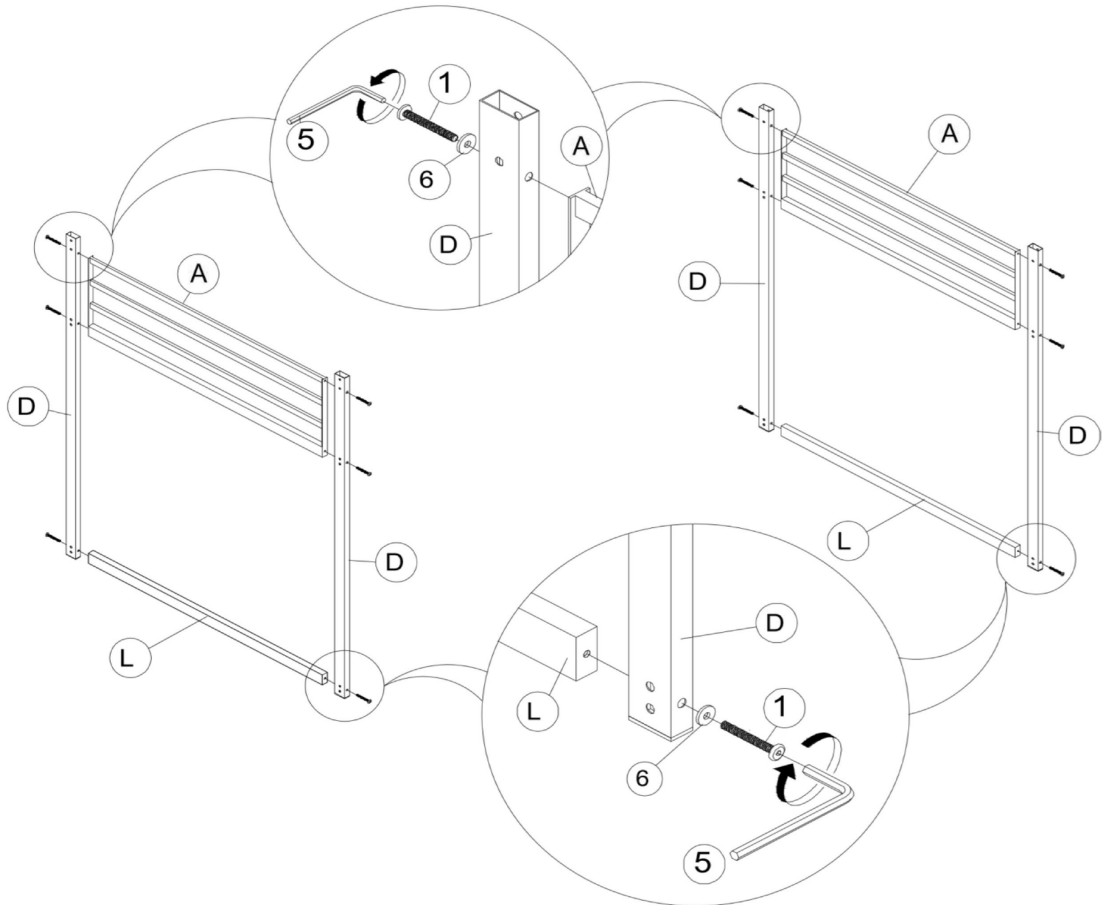
TWIN HOUSE BUNK BED WITH SLIDE ASSEMBLY INSTRUCTIONS



STEP 1



6		Ø6*Ø16	08 pcs
4		M6*20	08 pcs

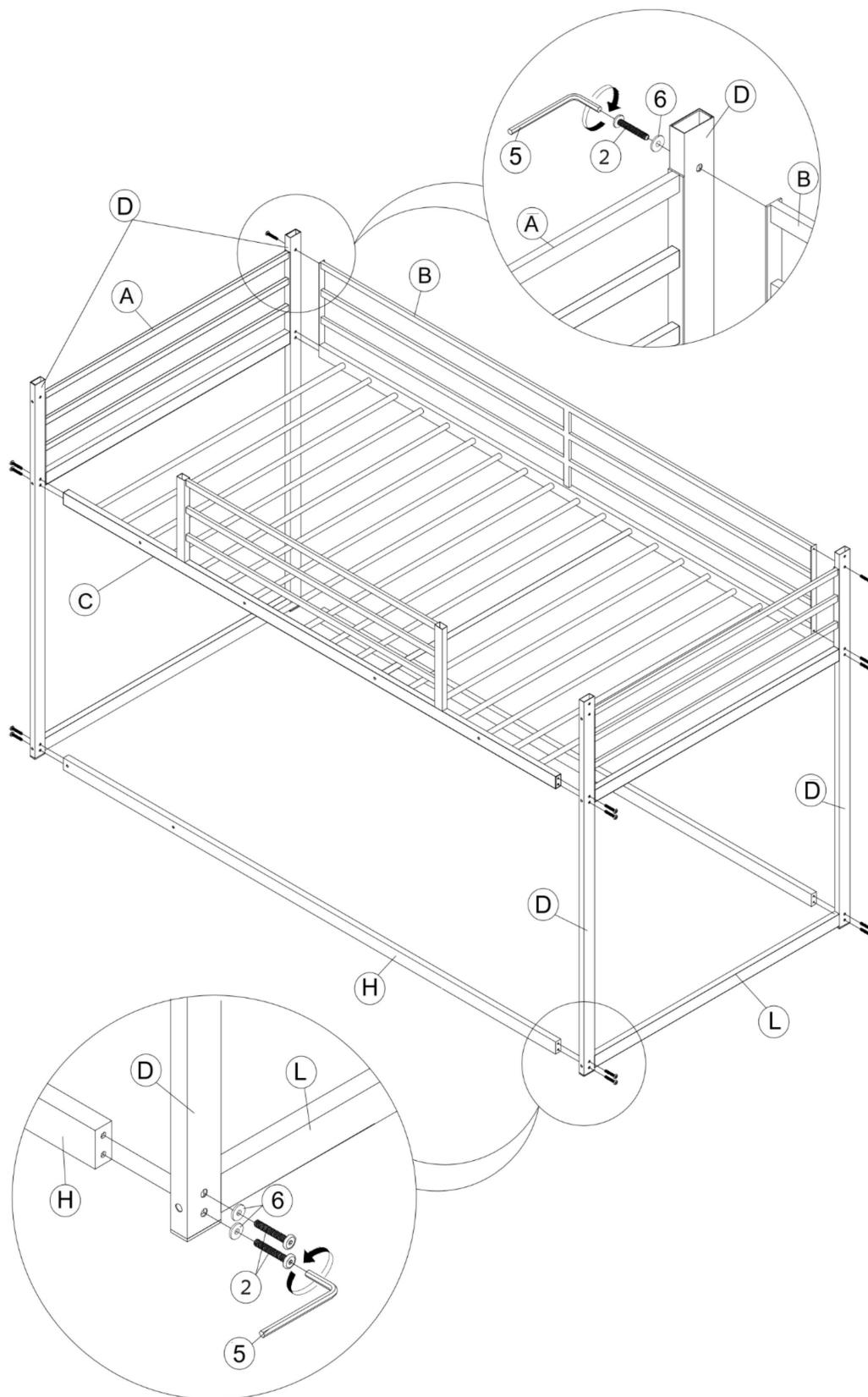
STEP 2





6		Ø6*Ø16	12 pcs
1		M6*60	12 pcs

TWIN HOUSE BUNK BED WITH SLIDE ASSEMBLY INSTRUCTIONS

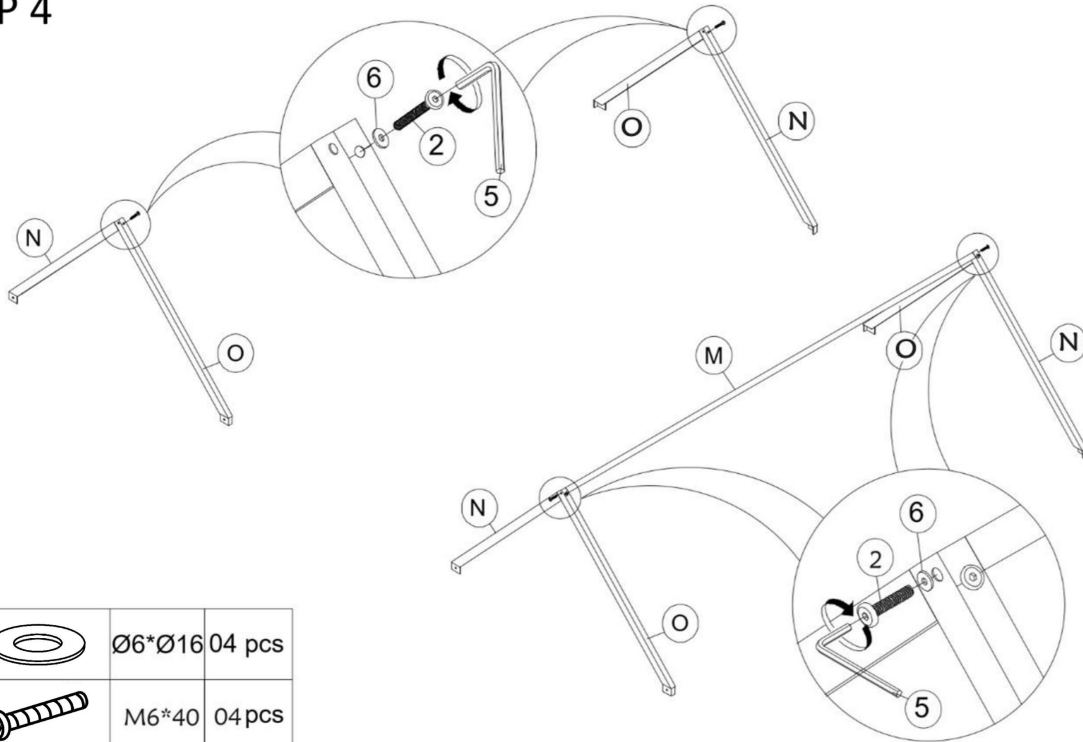
STEP 3





6		Ø6*Ø16	18 pcs
2		M6*40	18 pcs

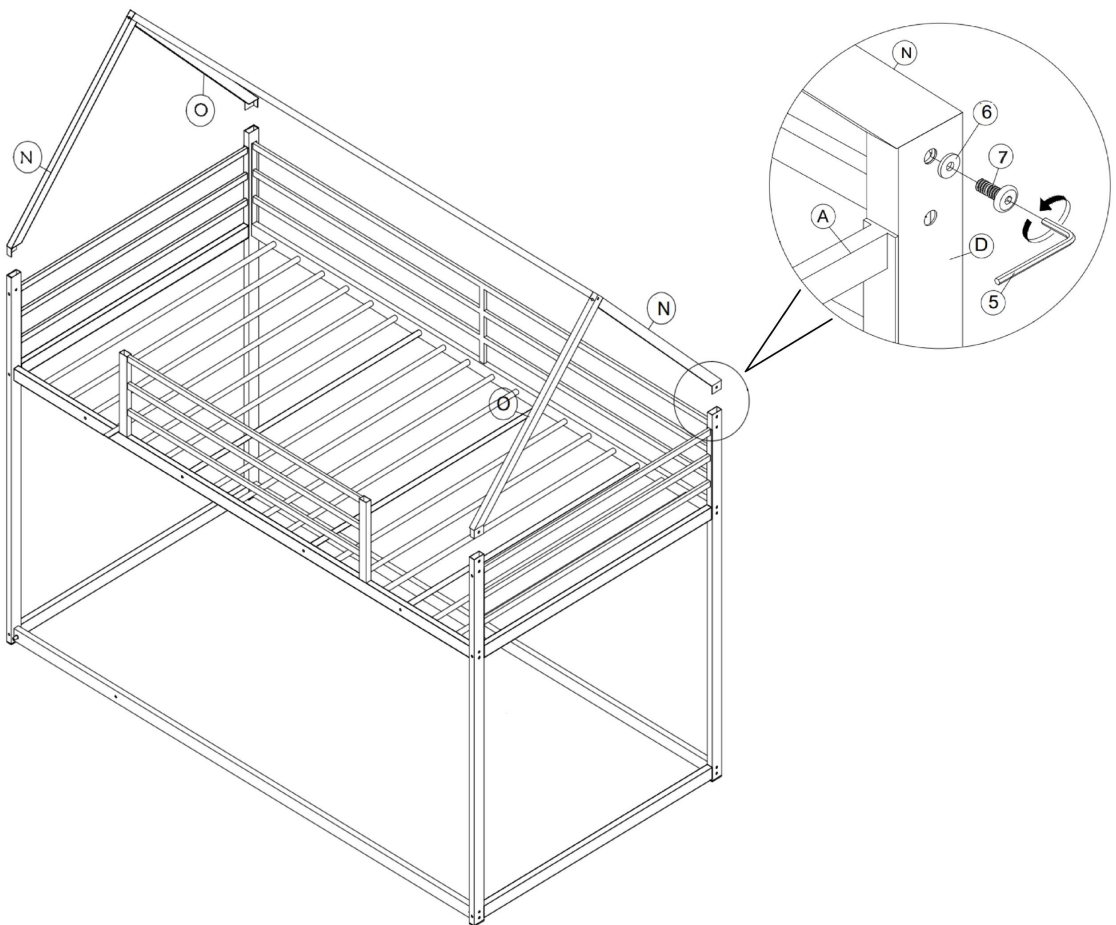
TWIN HOUSE BUNK BED WITH SLIDE ASSEMBLY INSTRUCTIONS



STEP 4



6		Ø6*Ø16	04 pcs
2		M6*40	04 pcs

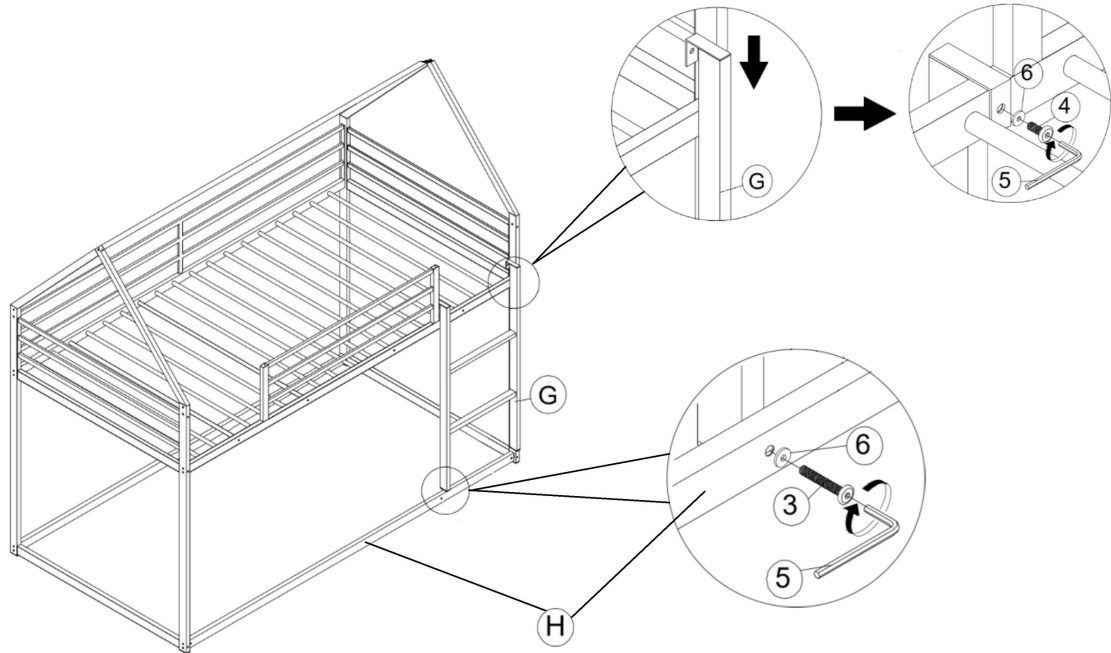
STEP 5






6		Ø6*Ø16	04 pcs
7		M6*15	04 pcs

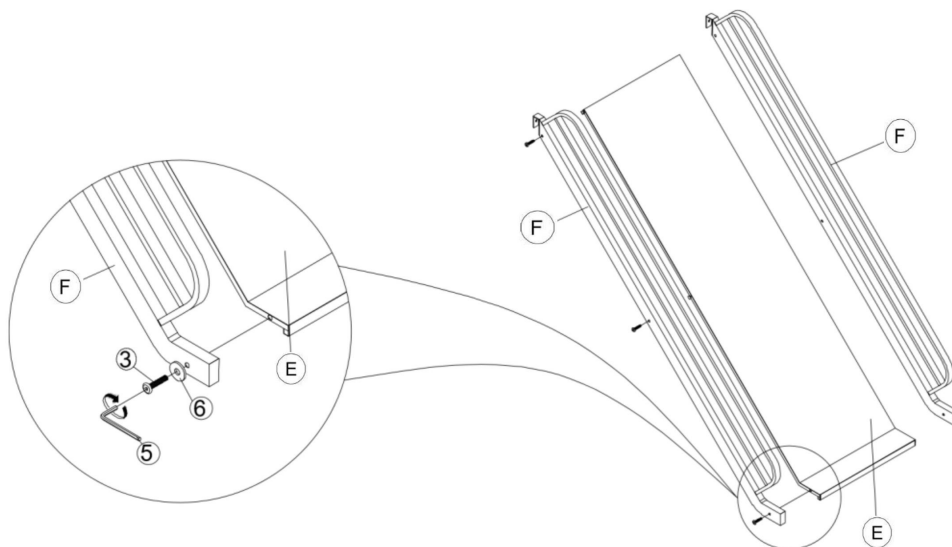
TWIN HOUSE BUNK BED WITH SLIDE ASSEMBLY INSTRUCTIONS



STEP 6



6		Ø6*Ø16	04 pcs
3		M6*30	02 pcs
4		M6*20	02 pcs

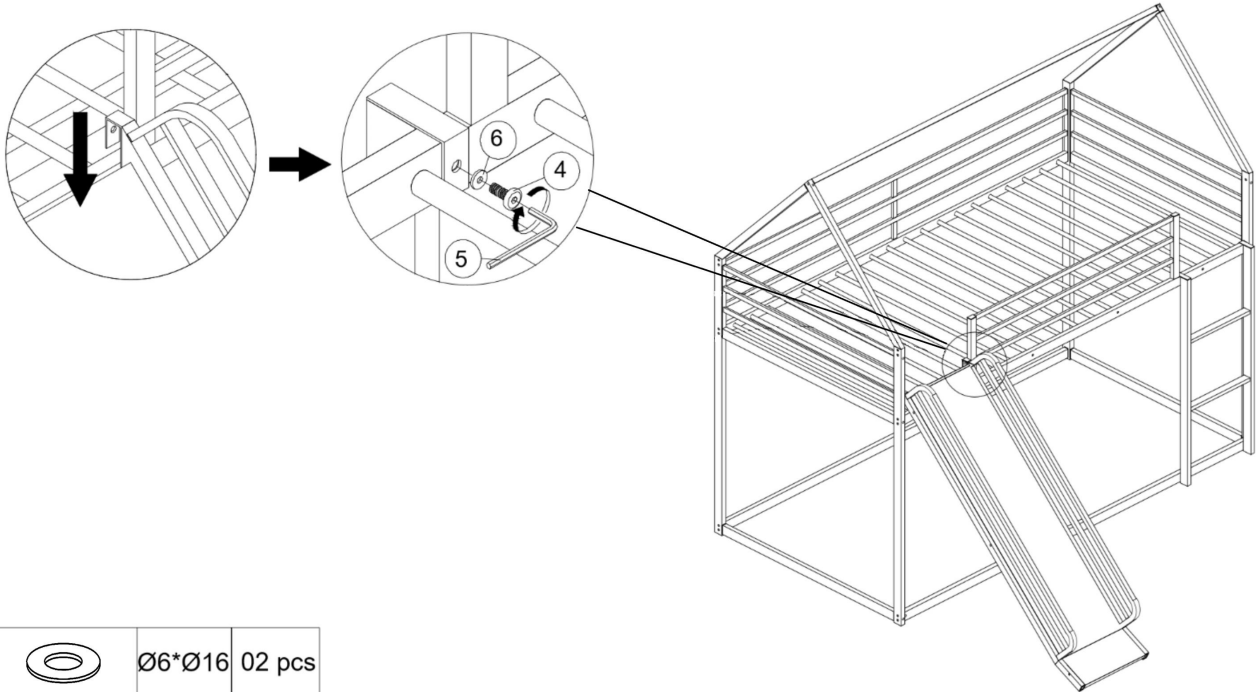
STEP 7





6		Ø6*Ø16	06 pcs
3		M6*30	06 pcs

TWIN HOUSE BUNK BED WITH SLIDE ASSEMBLY INSTRUCTIONS

STEP 8



6		Ø6*Ø16	02 pcs
4		M6*20	02 pcs

COMPLETE

