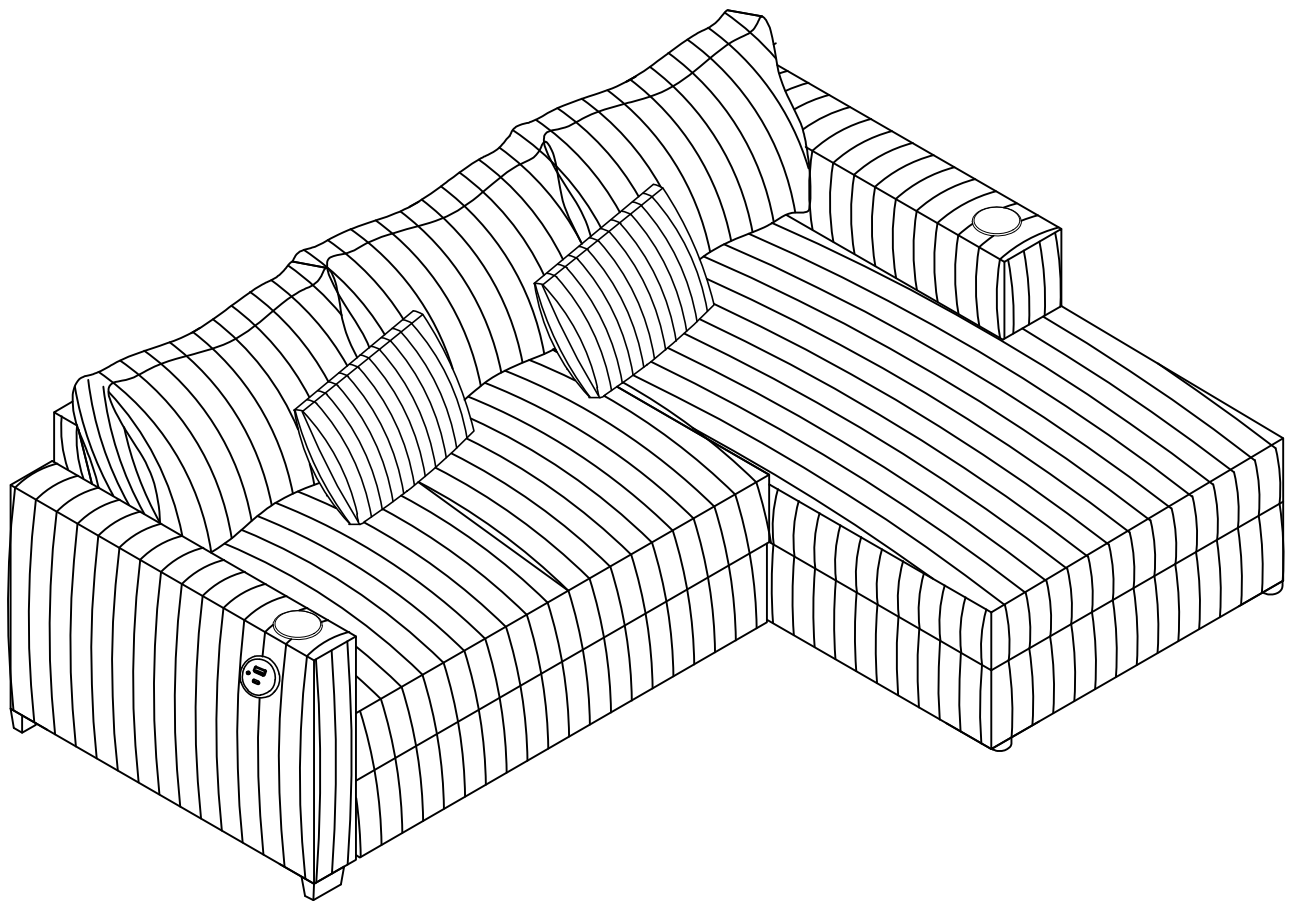


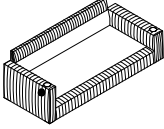
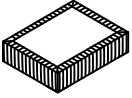
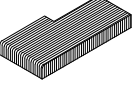
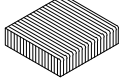


ASSEMBLY INSTRUCTION

ITEM: SE30 SE31 SE32

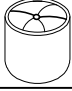
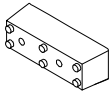



ASSEMBLY INSTRUCTION

PARTS LIST

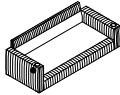
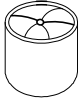
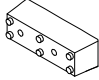
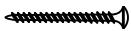
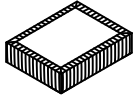
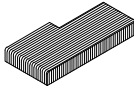
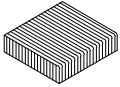


| PART | DRAWING | DESCRIPTION | QTY |
|------|---|--------------|------|
| #A |  | SOFA | 1PC |
| #B |  | OTTOMAN | 1PC |
| #C |  | SEAT CUSHION | 1PC |
| #D |  | SEAT CUSHION | 2PCS |
| #E |  | BACK CUSHION | 3PCS |
| #F |  | THROW PILLOW | 2PCS |

HARDWARE LIST

| PART | DRAWING | DESCRIPTION | Qty |
|------|---|---------------|-------|
| #G |  | Round Leg | 4PCS |
| #H |  | Rectangle Leg | 4PCS |
| #I |  | M4*50mm Screw | 12PCS |

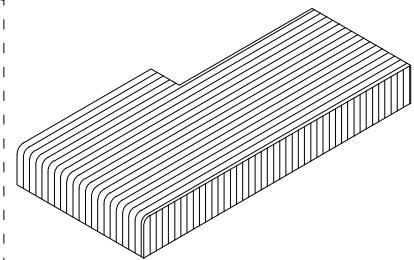
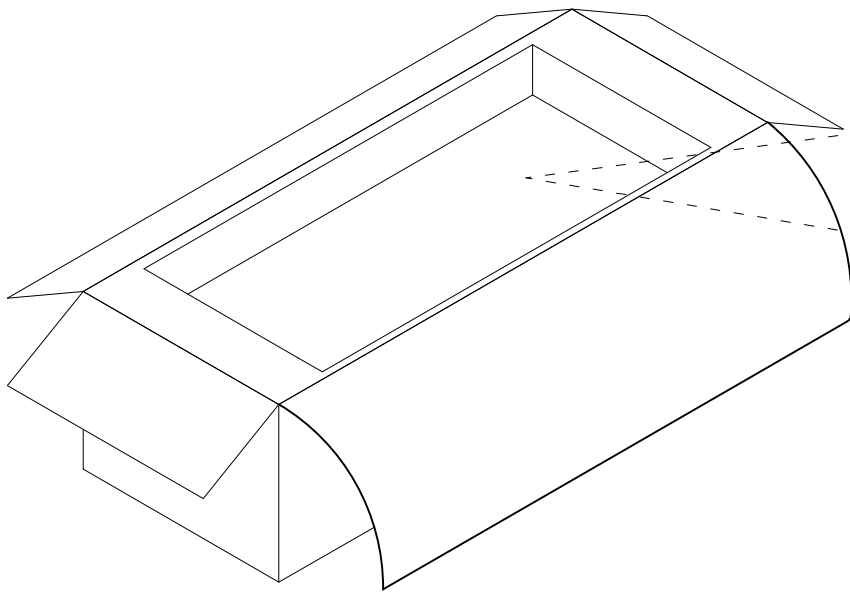
ASSEMBLY INSTRUCTION

SE30 SE31 SE32 -is packed in 1 case

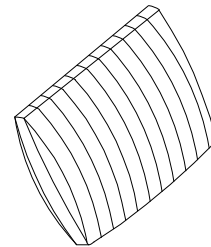
| Carton | Description | Part | Hardware |
|--------|--------------------|---|--|
| 1 | SOFA | #A  |  #G x 4pcs  #H x 4pcs  #I x 12pcs |
| | OTTOMAN | #B  | |
| | SEAT CUSHION | #C  | |
| | SEAT CUSHION(2pcs) | #D  | |
| | BACK CUSHION(3pcs) | #E  | |
| | THROW PILLOW(2pcs) | #F  | |

ASSEMBLY INSTRUCTION

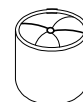
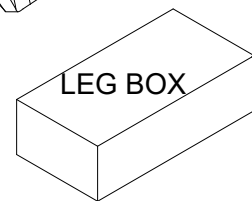
STEP 1 :



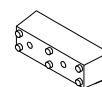
#C-1PC



#F-2PCS



#G x 4pcs



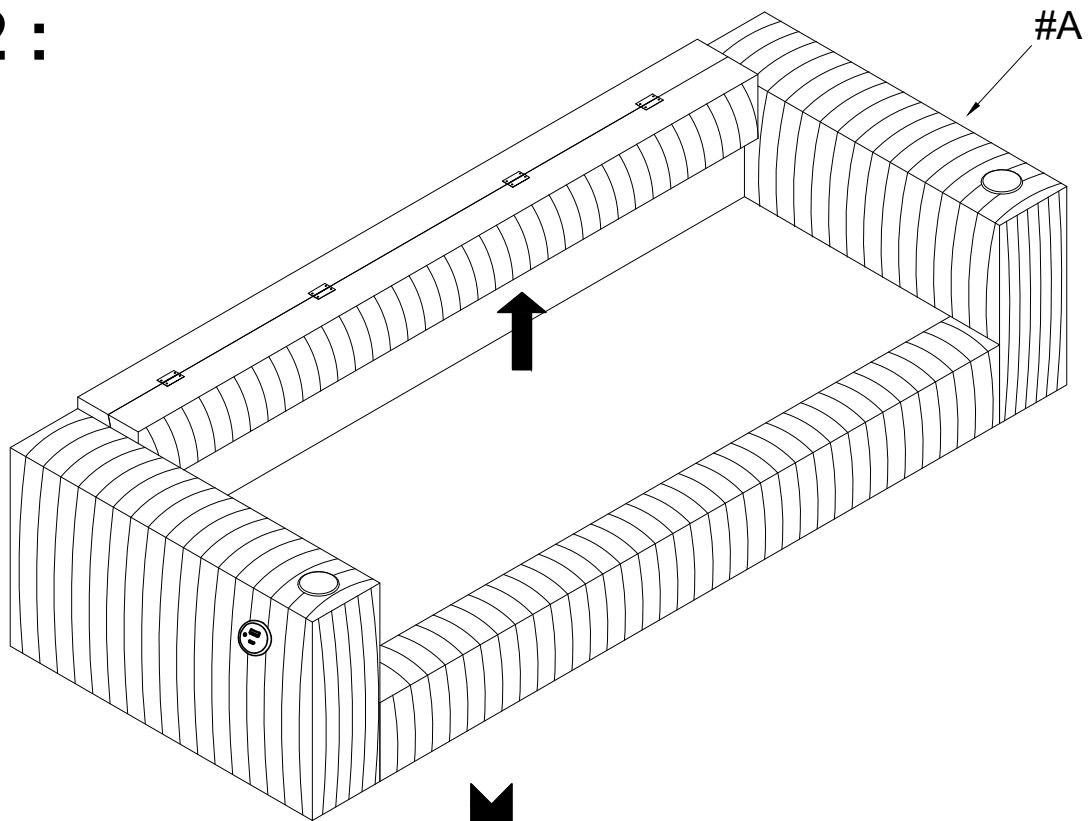
#H x 4pcs



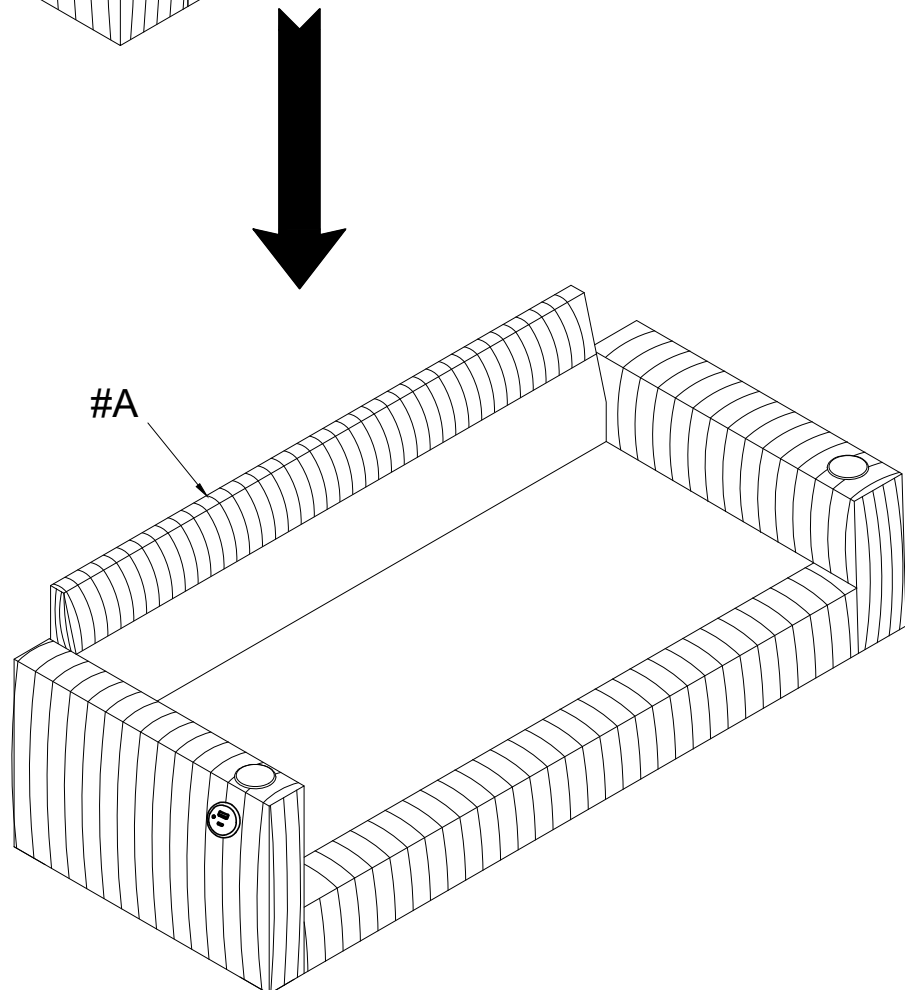
#I x 12pcs

ASSEMBLY INSTRUCTION

STEP 2 :

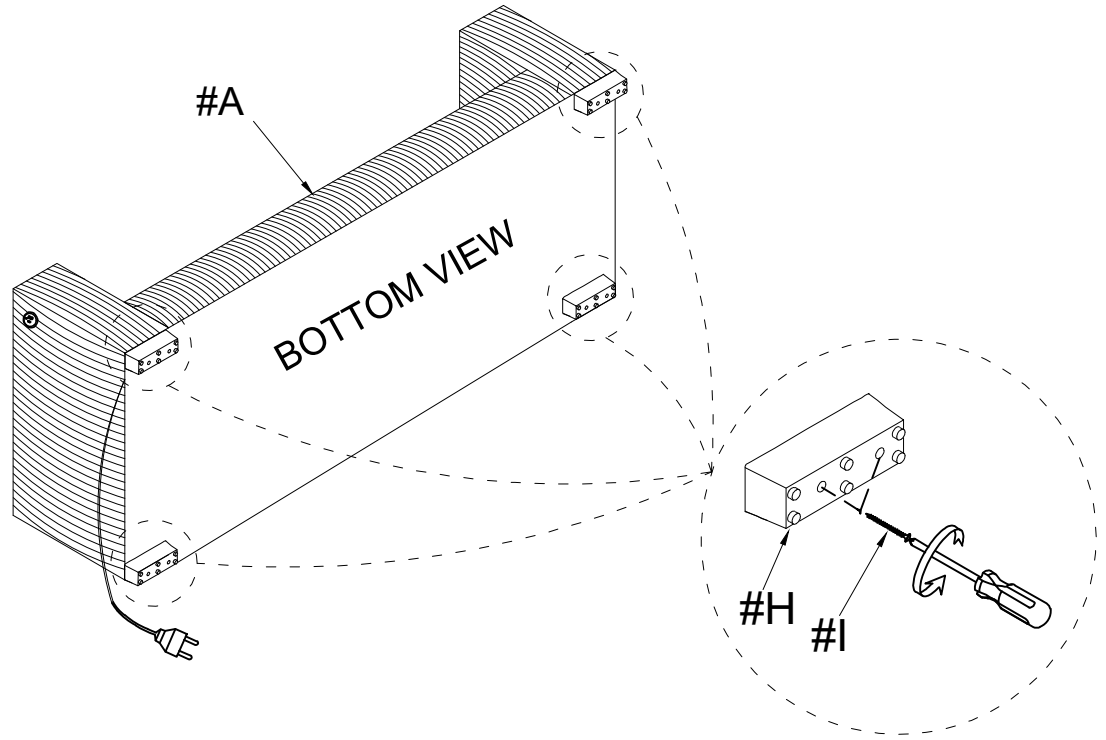


STEP 3 :

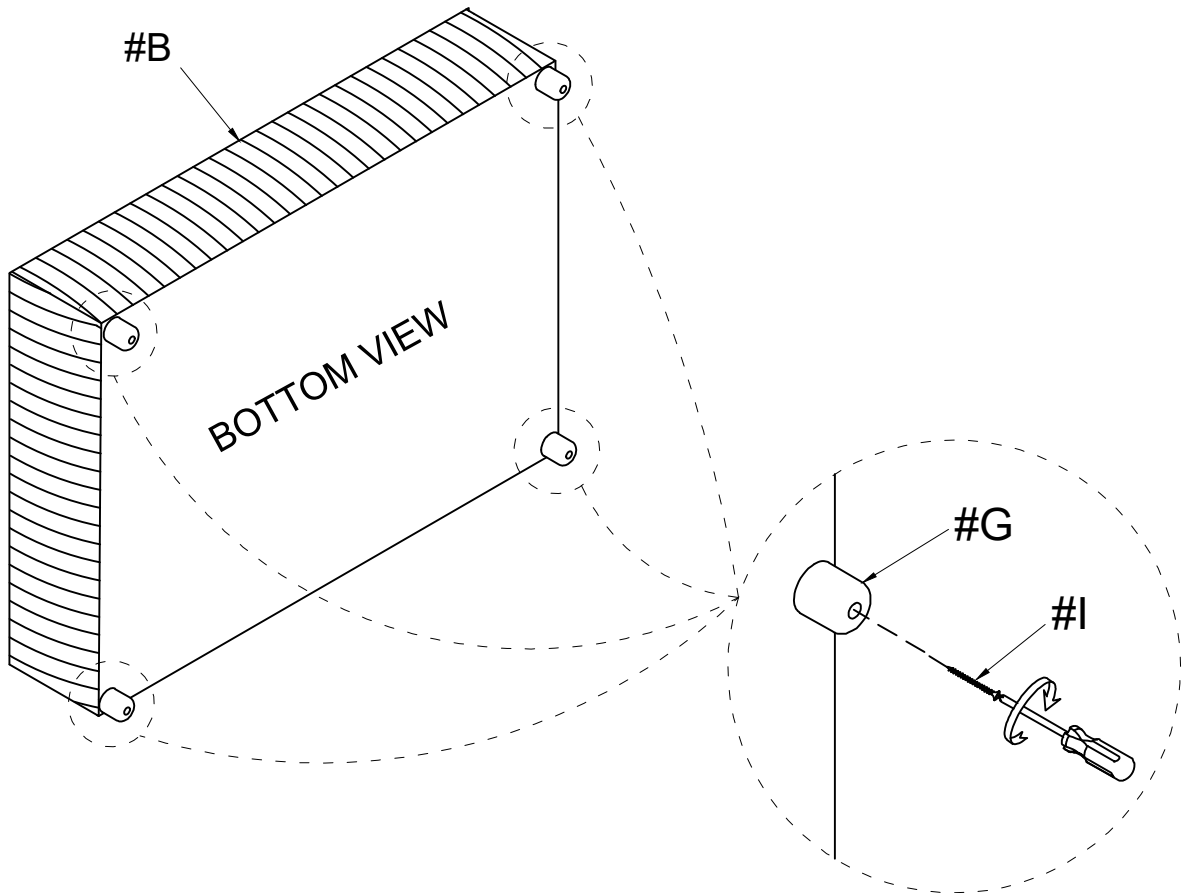


ASSEMBLY INSTRUCTION

STEP 4 :

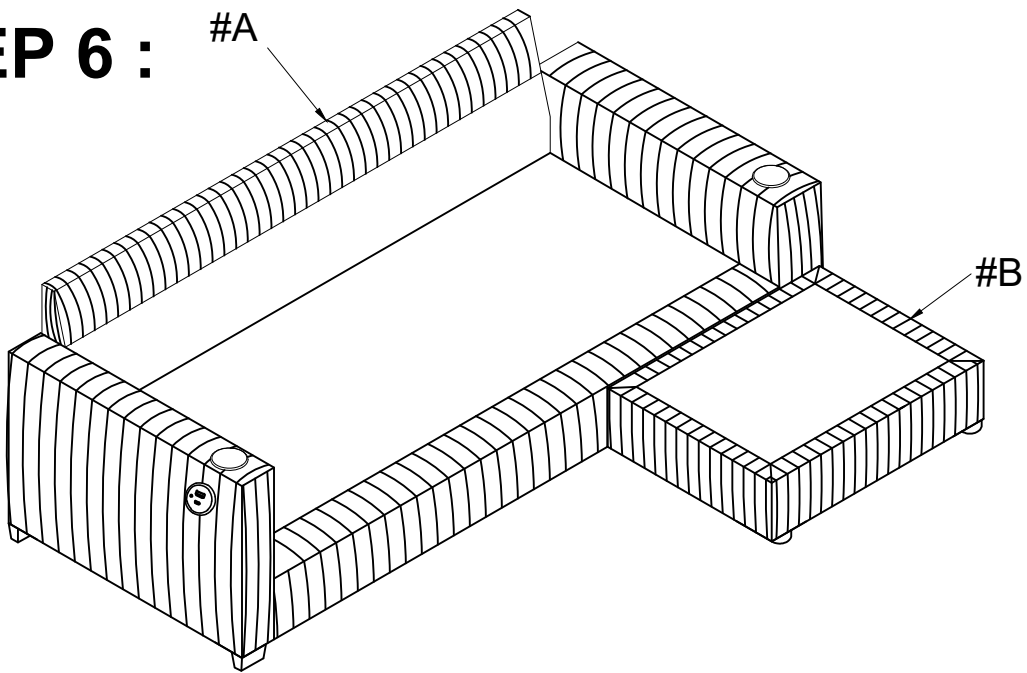


STEP 5 :

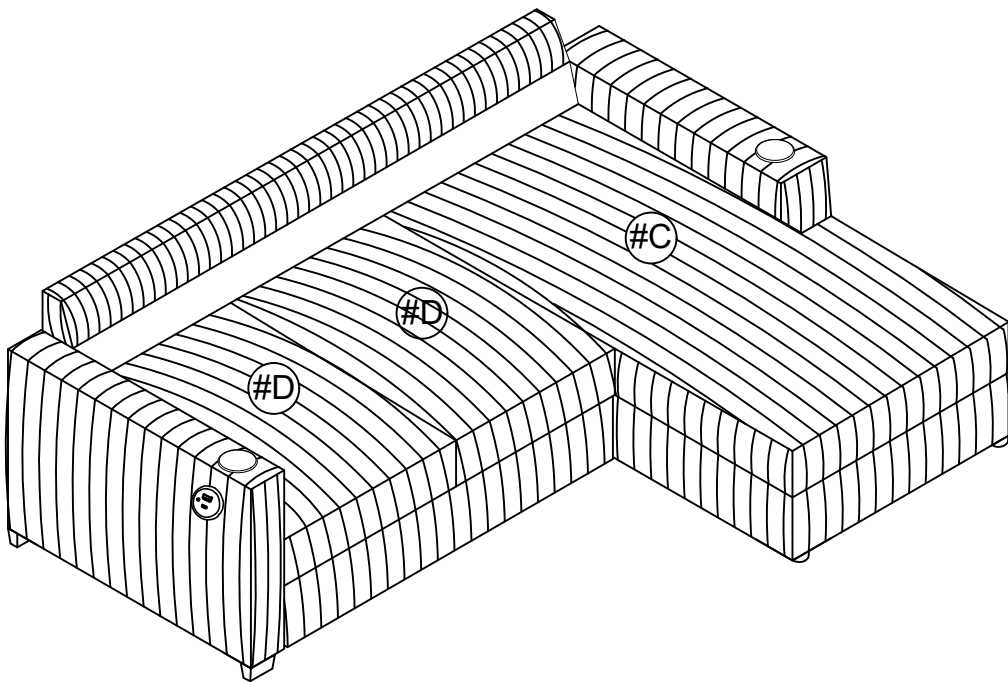


ASSEMBLY INSTRUCTION

STEP 6 :

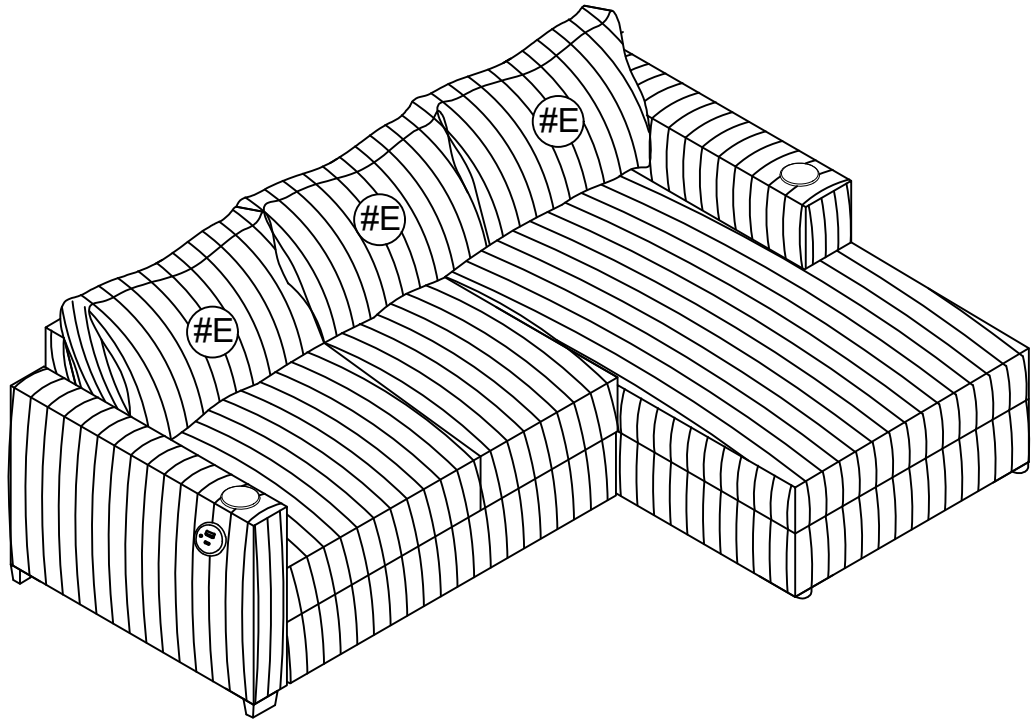


STEP 7 :

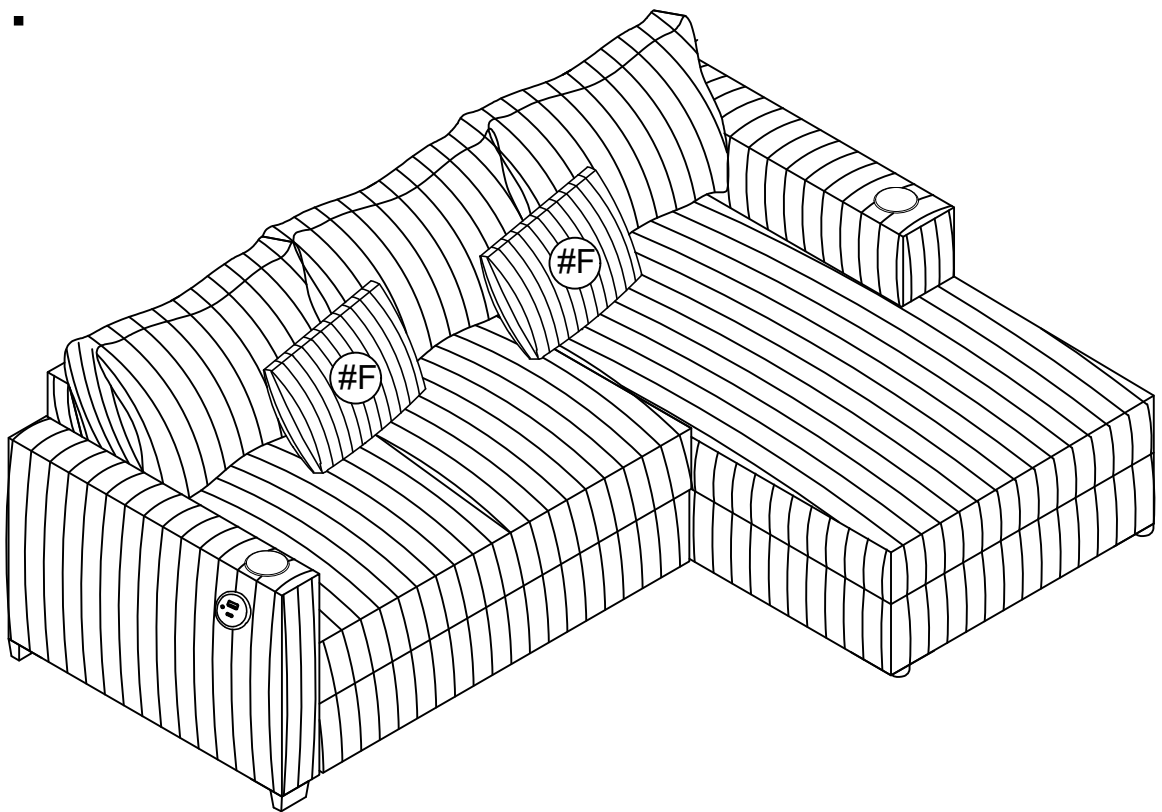


ASSEMBLY INSTRUCTION

STEP 8 :

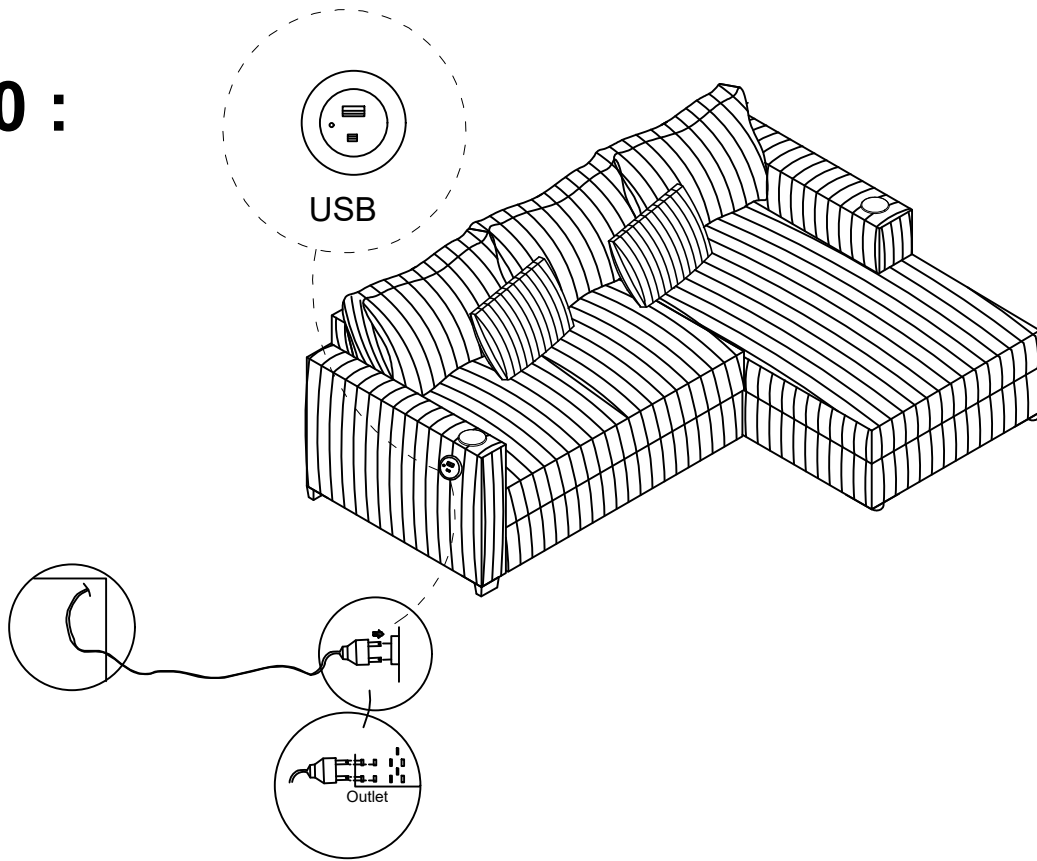


STEP 9 :



ASSEMBLY INSTRUCTION

STEP 10 :



STEP 11 :

