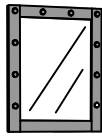


ASSEMBLY INSTRUCTIONS

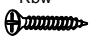

MODEL : WF299730AAE

LED MIRROR

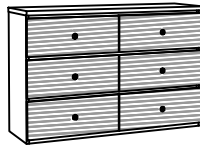
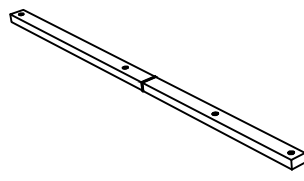
(BOX 1) BOX OF MIRROR

NO	ITEM	Qty
A	MIRROR 	1 PC

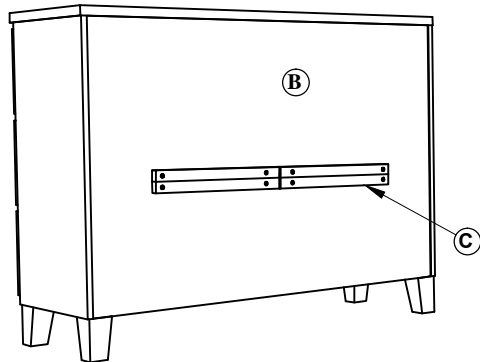
(BOX 1) HARDWARE LIST

NO	ITEM	Qty
1	Flat Head Chipboard Screw m4x32mm Rbw 	6 PCS
2	Adaptor 5V2A UL Certificate 	1PC

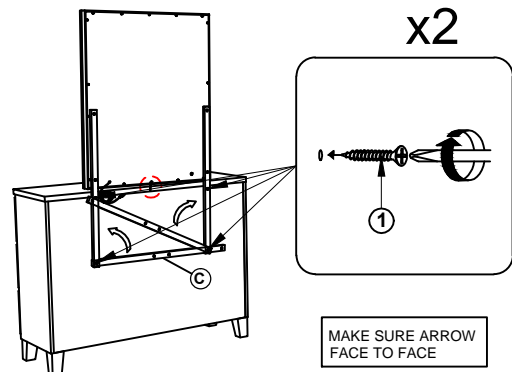
(BOX 2) BOX OF DRESSER

NO	ITEM	Qty
B	DRESSER 	1 PC
C	MIRROR SUPPORT 	2 PCS

STEP 1 : Cut of the Raffia String from the back of DRESSER (B).



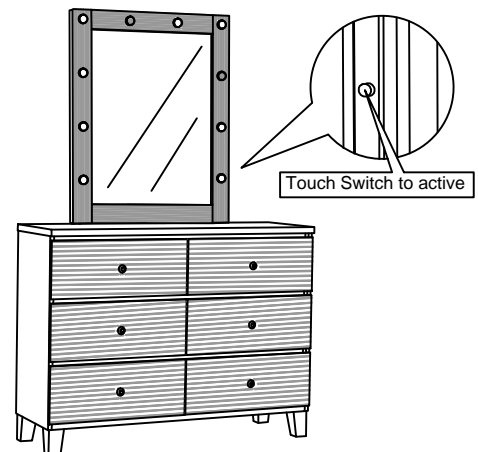
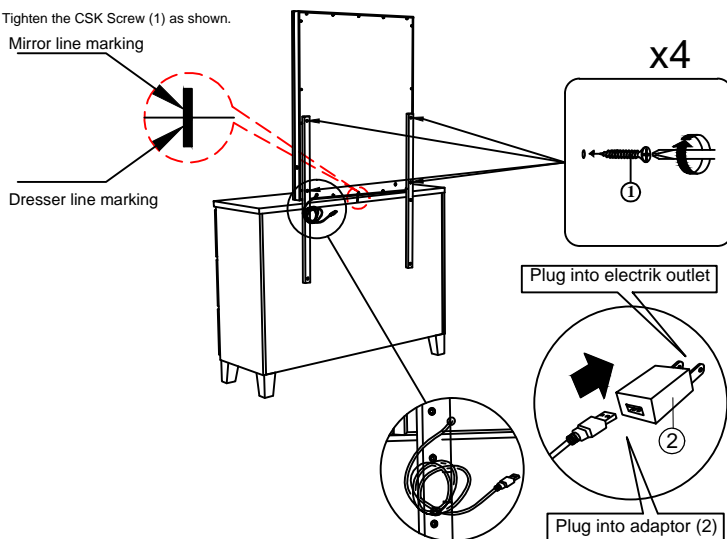
STEP 2 : Place the MIRROR FRAME (A) on the top of DRESSER (B), turn the MIRROR SUPPORT RAIL (C) upward at the back of DRESSER (B), then Tighten with CSK SCREW (1).



STEP 3 : Tighten the CSK Screw (1) as shown.

Mirror line marking

Dresser line marking



COMPLETE ASSEMBLY

NOTE : MUST TIGHTEN SCREWS PERIODCALLY WITH USE SCREW WILL BECOME LOOSE CHECK TIGHTNESS OF ALL SCREW EVERY 6-8 WEEKS.