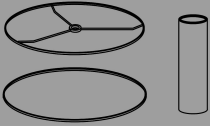


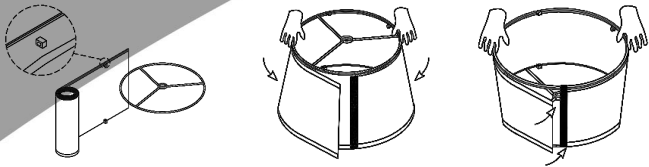
STEPS TO ASSEMBLE THE LAMPSHADE

- 1** Take out the lampshades and round iron frames.

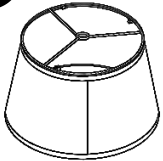


Align the frame with the edge of the lampshades and secure it in place using fasteners. Repeat the process for the second frame. Ensure that the frames are firmly attached and the lampshades are tightly stretched.

2



- 3** For an oblique barrel-shaped lampshade, align the lamp frame by placing its short edge on the corresponding short side of the lampshade and the long edge on the corresponding long side.

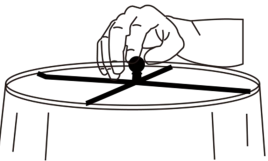


Install the harps onto the lamp base by positioning them over the sockets. Next, insert the bulb into the socket and rotate it clockwise until it is securely in place. (bulbs are not included).

4

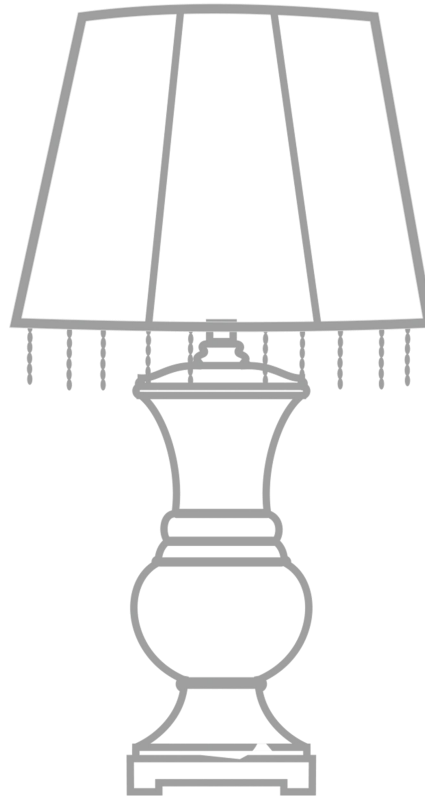


- 5** Once the lampshade is positioned correctly, screw the finial into place to hold it securely. (If the lamp shade is slanted, adjust the base of the finial to make it level).



T182

INSTRUCTION MANUAL



4 MODERN 4 HOME

Assembly & Installation Instructions

Dear Customer:

Thank you for your business!

If you have any question or problem, please send us an email to support@4modernhome.com or call us at 469-312-6482. We will do everything possible to make you completely satisfied with your purchase. Product reviews help future customers to make their purchase decision. You are encouraged to share your experience by leaving a short product review on the platform where you bought this product.

Thank you!

4ModernHome

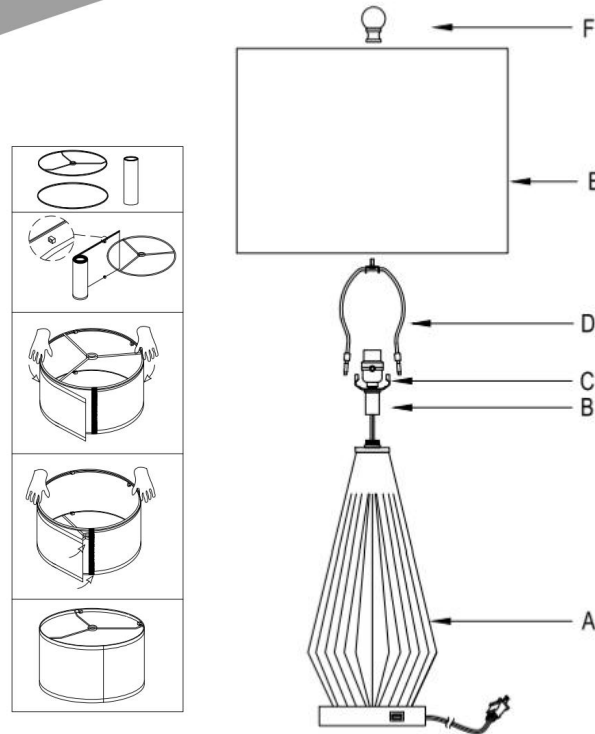
Warning: If any special control devices are used with this fixture, follow the instructions carefully to assure full compliance with N.E.C.requirements. If there are any questions, contact a qualified electric contractor.

Warning: California Residents Proposition 65

This product contains lead, a chemical known to the state of California to cause cancer and birth defects or other reproductive harm. Do not place the product in your mouth. Wash your hands after handling this product.

Caution: It is highly recommended to get an electrician to install this light. Please make sure to turn the electricity off at the main circuit breaker before beginning installation. All glass is fragile. Use care when handling glass component(s) and/or lamp(s).

Applicable bulb
type:A19,A60,T45,ST58...
(Excluding bulb)



1. Unpack all parts from cartons carefully.
2. During assembly, the power cord should be prevented from twisting.
3. Stuff cord into the lamp socket(B), then tighten the lamp socket(B) into the body(A) until tight.
4. Place the harp(D) onto the saddle(C).
5. Place the shade(E) onto the harp(D).
6. Tighten the finial(F) into the harp(D) until tight.

WIRE CONNECTION DIAGRAM

Wires meeting safety standards are required to connect the electrical circuit

CAUTION: Risk of fire



Please read all instructions carefully. Before you proceed to install, make sure that the power supply is turned off and remains off until installation is completed.

PARTS INCLUDED

Code	Part description	QTY
A	Body	1
B	Lamp socket	1
C	Saddle	1
D	Harp	1
E	Shade	1
F	Finial	1