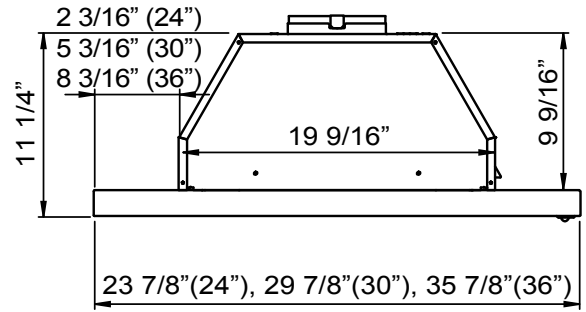
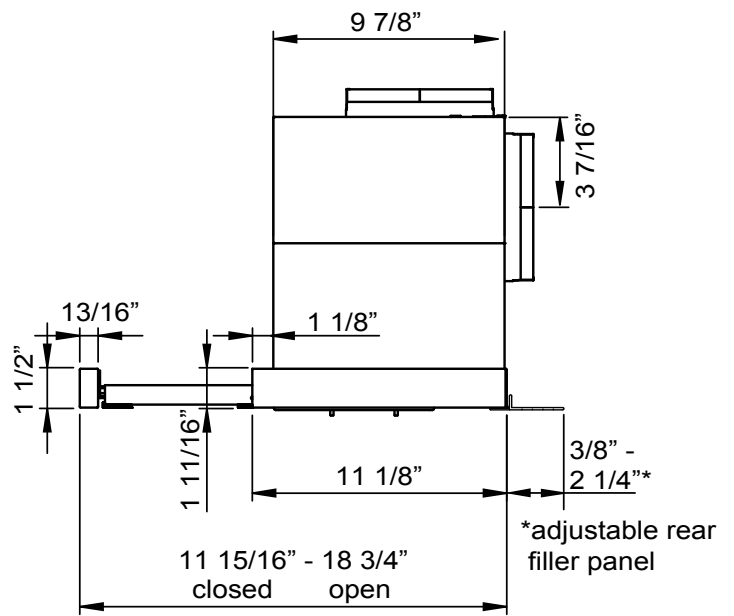


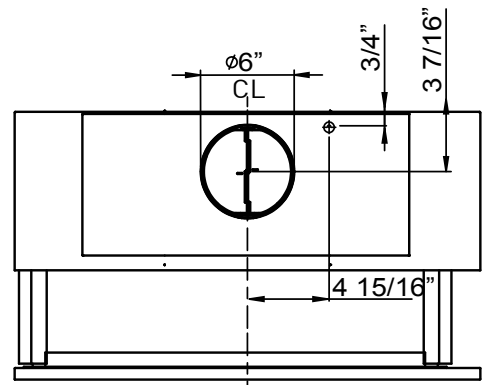
White trim



FRONT



SIDE



TOP

MODEL

Stainless Steel trim* w/ Glass	ZPI-E24BG290	ZPI-E24BG	ZPI-E30BG290	ZPI-E30BG	ZPI-E36BG290	ZPI-E36BG
White trim* w/ Glass	ZPI-E24BW290	ZPI-E24BW	ZPI-E30BW290	ZPI-E30BW		
Size	24"	24"	30"	30"	36"	36"

BLOWER PERFORMANCE

Blower CFM (Min. - Max.)	180 - 290	230 - 500	180 - 290	230 - 500	180 - 290	230 - 500
Sones (Min. - Max.)	1.3 - 3.2	1.7 - 5.3	1.3 - 3.2	1.7 - 5.3	1.3 - 3.2	1.7 - 5.3

FEATURES

Controls	Mechanical Slide	Mechanical Slide	Mechanical Slide	Mechanical Slide	Mechanical Slide	Mechanical Slide
Speed Levels	3	3	3	3	3	3
Auto Delay-Off	No	No	No	No	No	No
Lighting	LumiLight LED, 6W x1	LumiLight LED, 6W x1	LumiLight LED, 6W x2	LumiLight LED, 6W x2	LumiLight LED, 6W x2	LumiLight LED, 6W x2
Dual-Level Lighting	Yes	Yes	Yes	Yes	Yes	Yes
Filters	Aluminum Mesh x1	Aluminum Mesh x1	Aluminum Mesh x1	Aluminum Mesh x1	Aluminum Mesh x1	Aluminum Mesh x1
Recirculating Option	Yes	Yes	Yes	Yes	Yes	Yes

DUCT SPECIFICATIONS

Vertical Internal Blower	6" Round	6" Round	6" Round	6" Round	6" Round	6" Round
Horizontal Internal Blower	6" Round	6" Round	6" Round	6" Round	6" Round	6" Round
AC POWER	120V, 60Hz at Max. 2A	120V, 60Hz at Max. 3A	120V, 60Hz at Max. 2A	120V, 60Hz at Max. 3A	120V, 60Hz at Max. 2A	120V, 60Hz at Max. 3A

OPTIONAL ACCESSORIES

Recirculating Kit	ZRC-00PI	ZRC-00PI	ZRC-00PI	ZRC-00PI	ZRC-00PI	ZRC-00PI
Stainless Steel Telescopic Backsplash	NA	NA	AK1710	AK1710	AK1716	AK1716

MOUNTING HEIGHT RANGE**

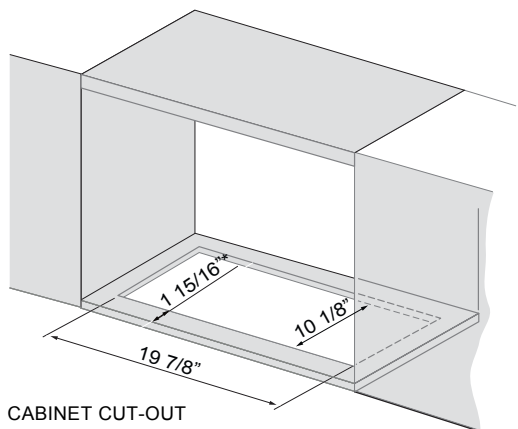
Electrical Cooktop	20" - 32"	20" - 32"	20" - 32"	20" - 32"	20" - 32"	20" - 32"
Gas Cooktop	24" - 32"	24" - 32"	24" - 32"	24" - 32"	24" - 32"	24" - 32"

WARRANTY

3 years parts, 1 year labor	3 years parts, 1 year labor	3 years parts, 1 year labor	3 years parts, 1 year labor	3 years parts, 1 year labor	3 years parts, 1 year labor	3 years parts, 1 year labor
--------------------------------	--------------------------------	--------------------------------	--------------------------------	--------------------------------	--------------------------------	--------------------------------

*Refers to handle color. Body is painted gray.

**Mounting height refers to distance between top of a 36" tall cooking surface and bottom of hood.



CABINET CUT-OUT

*Measured from front of doors in a frameless cabinet or front of cabinet bottom in a framed cabinet.