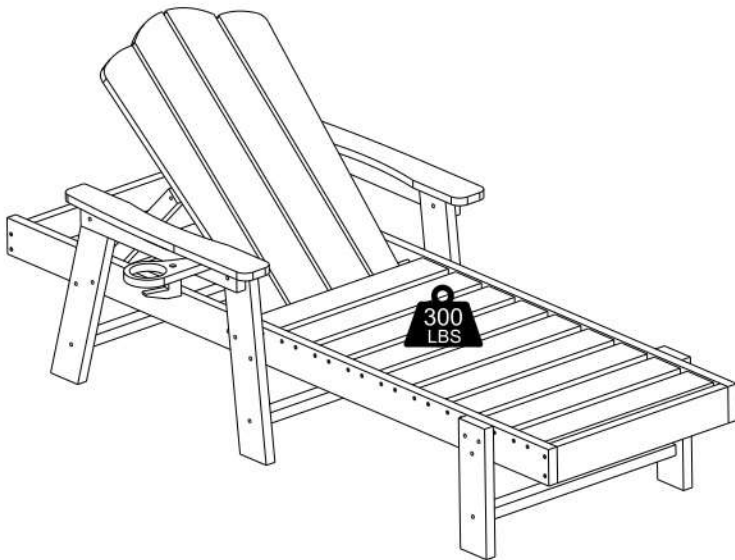


Thank you for your purchase!



Commercial Grade Indoor/Outdoor Adjustable Adirondack Lounger with Cup Holder

ASSEMBLY INSTRUCTIONS

Before You Begin:

Please identify all component parts and hardware pieces required before you begin. Carefully remove all of the components from the packaging and set aside for assembly. Assemble on a soft surface to prevent scratching during assembly.

Caution:

Tighten all components securely before use. Failure to do so may result in personal injury. DO NOT use any sharp objects to open plastic wrapped components as damage to product or components may result.

Warning:

CHOKING HAZARD - Small Parts. Adult Assembly Required.

Injury may result from tipping furniture. You must install the Tipping Restraint Hardware with the unit to prevent the unit from tipping and causing any accidental injury, instability, death or damage. The tipping restraint is intended only as a safety measure, it is not a substitute for proper adult supervision.

This tipping restraint is not an earthquake restraint. If you wish to add the extra security of earthquake restraints, they must be purchased and installed separately.

Serious or fatal crushing injuries can occur from furniture tipping over. To prevent furniture from tipping over it must be permanently fixed to the wall. Fixing devices for the wall are not included since different wall materials require different types of fixing devices. Use fixing devices suitable for the walls in your home.

Failure to detach this restraint before moving furniture may result in injury or damage.

DO NOT ALLOW CHILDREN TO CLIMB ON FURNITURE



Congratulations!

You just purchased a piece of happiness. We believe you can transform your spaces into the most inspired places with furnishings that are the perfect combination of form, function and style. As original innovators of online furniture retail, we offer the best selection of popular, contemporary styles at cool, comfortable prices. And, with decades of proven shipping and packaging expertise, our Extended Quality Checklist ensures a rewarding, hassle-free experience time and time again. It's just what you need to bring your vision to life.

Thank you & Enjoy!!



We pride ourselves on providing an excellent customer experience starting right here with your package and instructions. Everything you need should be right where you need it, so you can get to enjoying your new item ASAP. But despite our best efforts, sometimes "slips happen." If you need any support, from replacement parts to recommendations, please reach out to our wonderful customer support team

EVERY PRODUCT



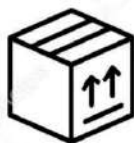
Quality &
Durability Tested



Packaged
with Care



Shipped from
our U.S. Facility



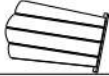



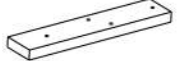

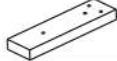









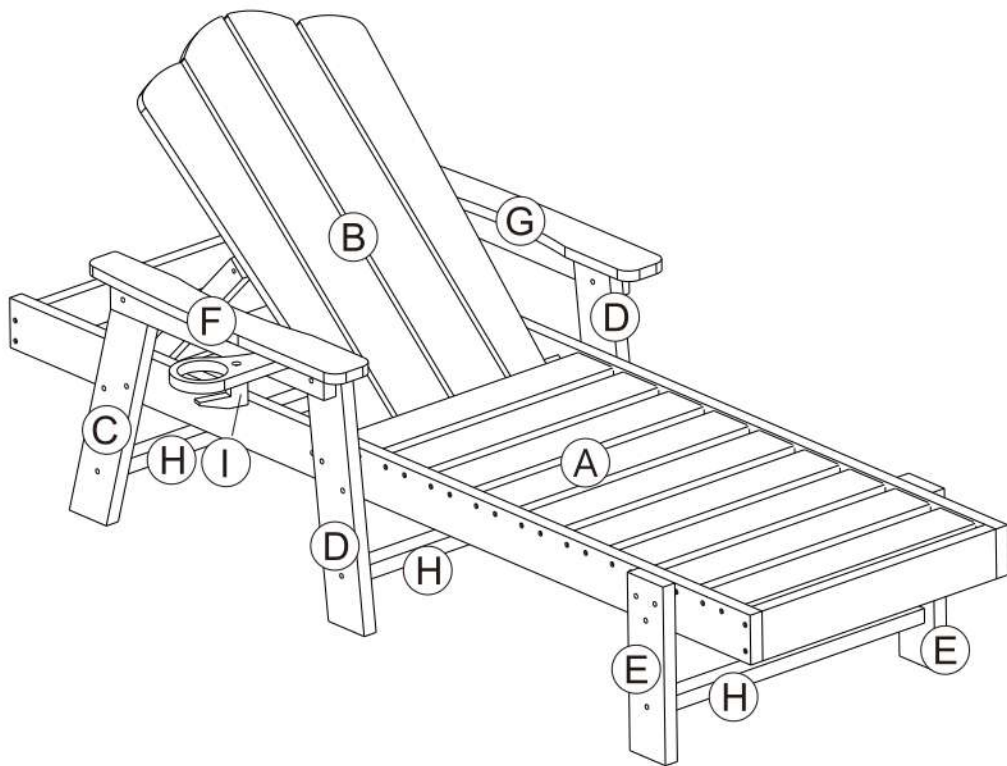
Designed
for Easy
Assembly



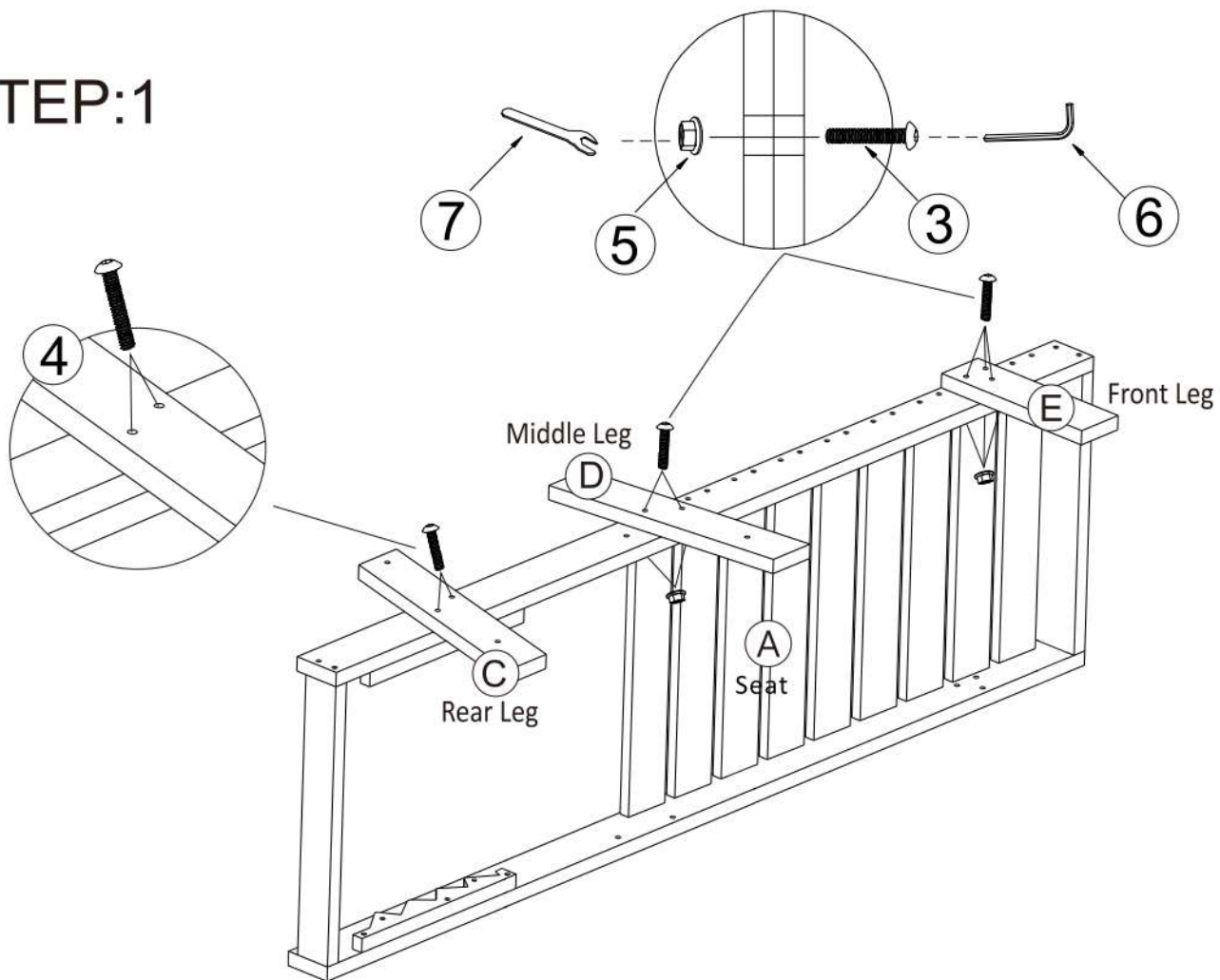
Ethically
Sourced

Read this manual before using this product. Failure to follow the instructions and safety precautions in this manual can result in serious injury or death. Keep this manual in a safe location for future reference.

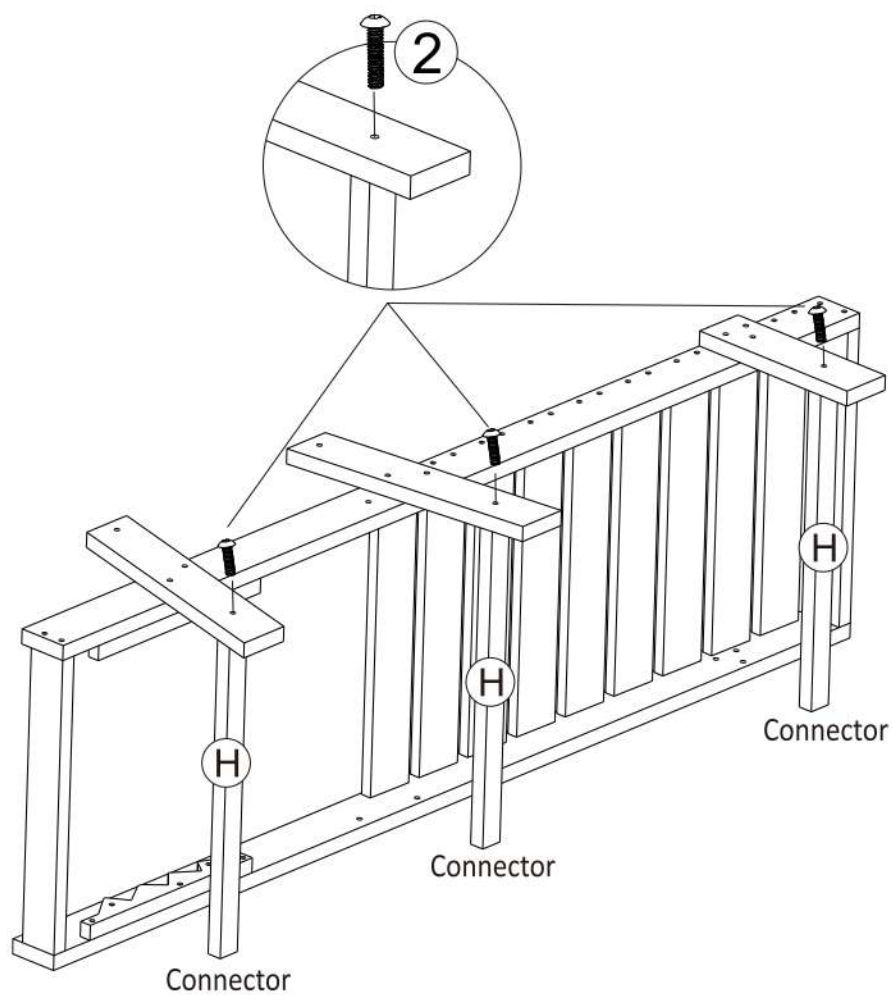
A	 Seat	1pc	1	 Hex Bolt M6x30mm	1pc
B	 Backrest	1pc	2	 Hex Bolt M6x40mm	8pcs
C	 Rear Leg	2pcs	3	 Hex Bolt M6x55mm	14pcs
D	 Middle Leg	2pcs	4	 Hex Bolt M6x65mm	4pcs
E	 Front Leg	2pcs	5	 Nut	14pcs
F	 Right Armrest	1pc	6	 Allen Wrench 5#	1pc
G	 Left Armrest	1pc	7	 Wrench	1pc
H	 Connector	3pcs			
I	 Cup Holder	1pc			



STEP:1

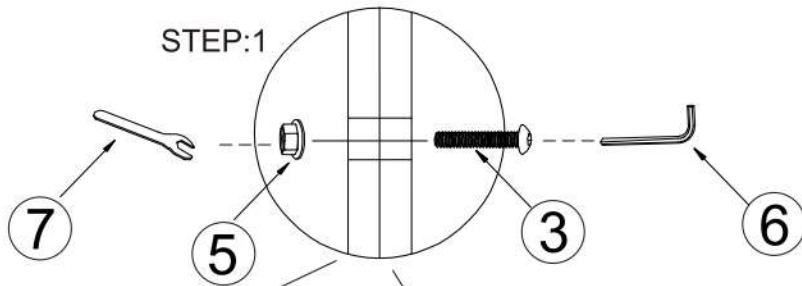


STEP:2

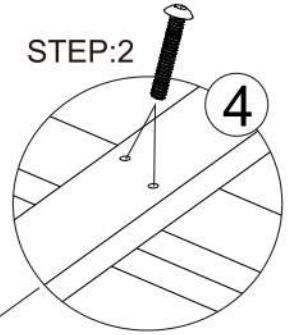


STEP:3

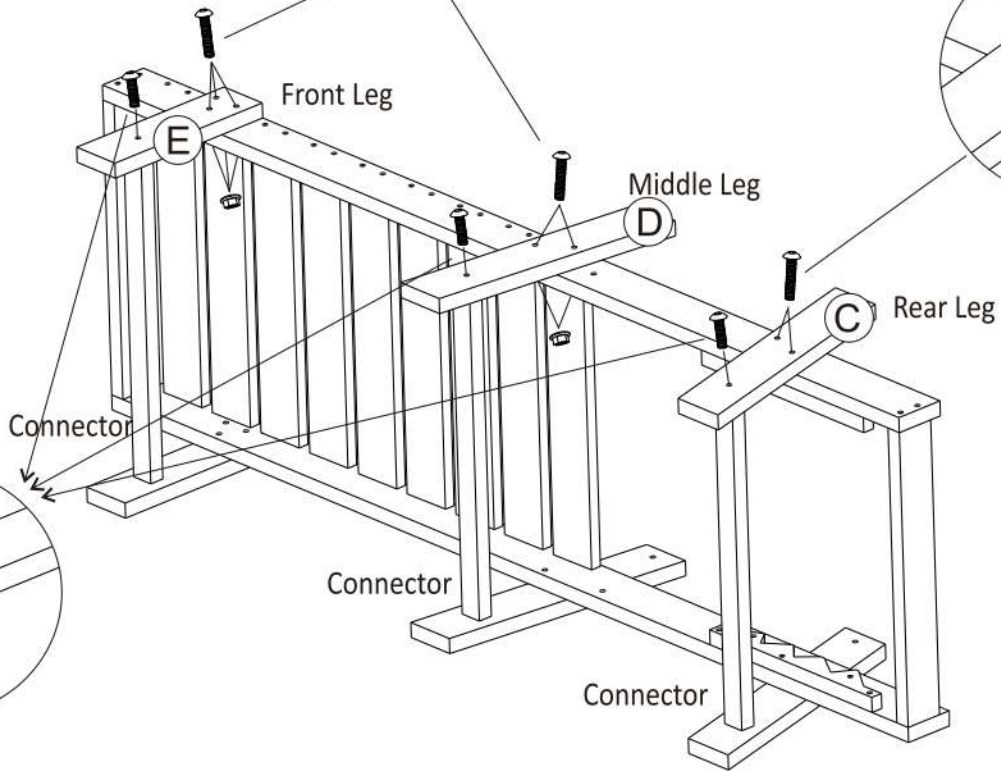
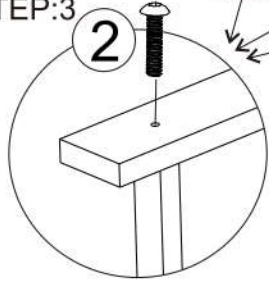
STEP:1



STEP:2



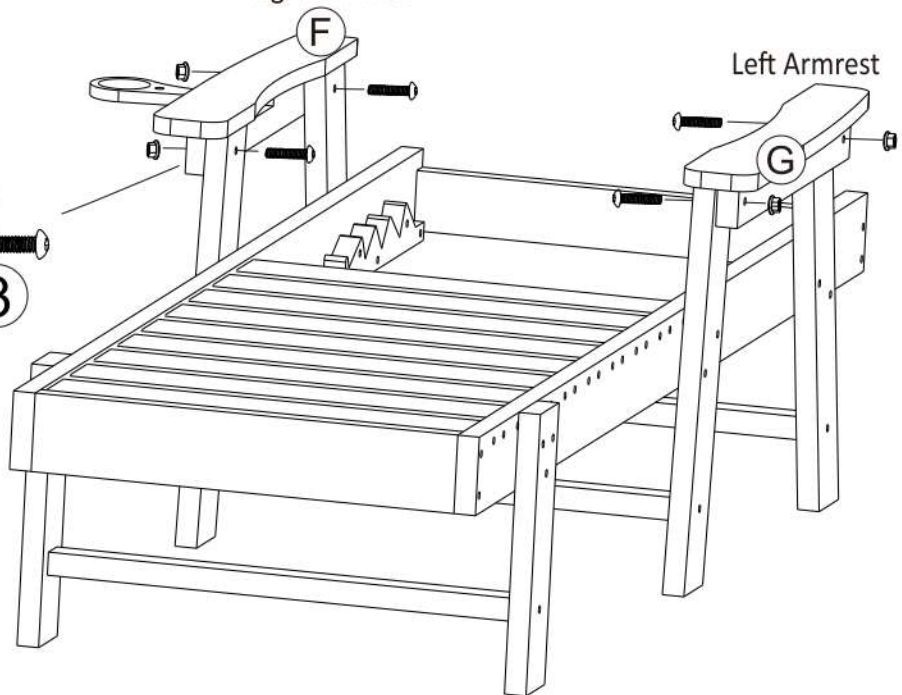
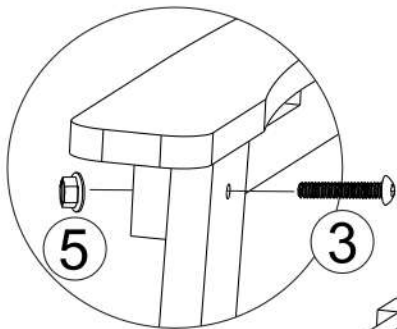
STEP:3



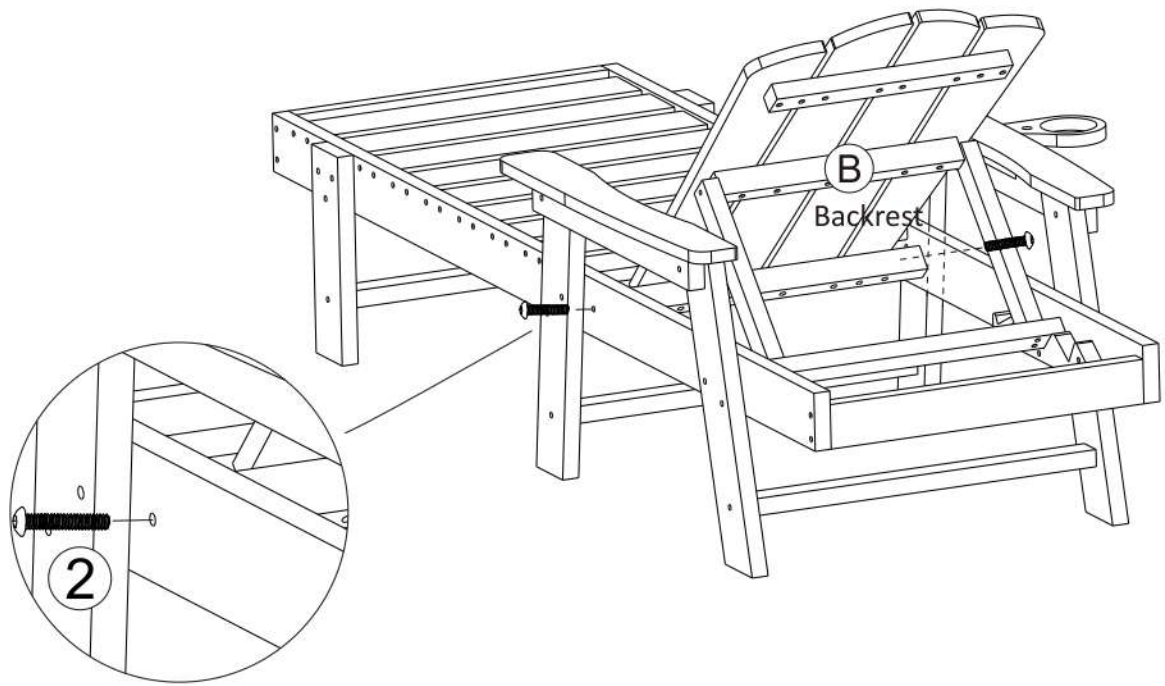
STEP:4

Right Armrest

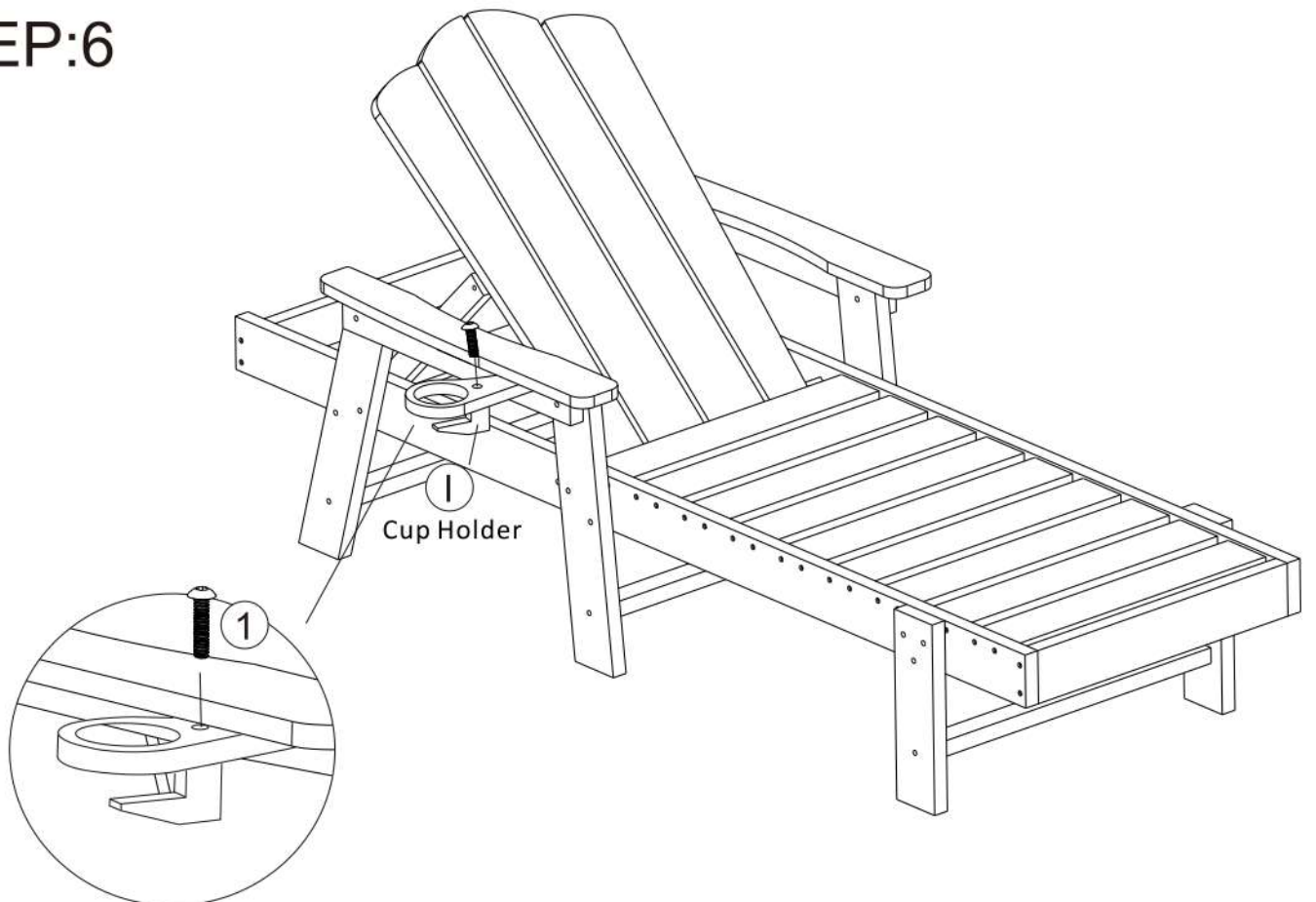
Left Armrest



STEP:5



STEP:6



Quality and Safety guidelines:

- Please follow the static and dynamic weight capacity limits provided on this item.
- Please use this item on a stable, level surface only. All chair feet/legs should contact the flooring surface when in use. Do not use this item if any instability is detected.
- Please take care to keep the chair stationary when lowering yourself into a seated position in this chair.
- Please inspect this product regularly to make sure there are no damaged or worn parts. Also inspect to make sure all hardware is tightened correctly and securely.
- This item is intended for sitting only, do not climb or stand on this item.
- The product was designed for seating one person at a time.
- To avoid pinching and crushing, stay clear from all moving parts and segments.
- Store indoors away from moisture.