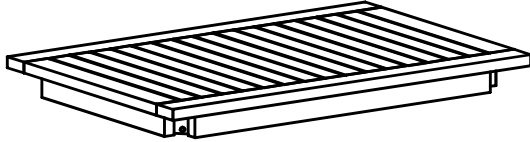

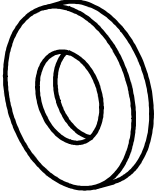

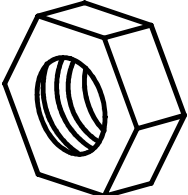



# Assembly Instructions

Please read this before you proceed

NUMBER	COMPONENT	QUANTITY
M	 Table top	1pc
N	 Table legs	4pcs
R	 M8 shim	8pcs
S	 M8 shim	8pcs
T	 M8 nut	8pcs
U	 M13 Spanner	1pc

# Assembly Instructions

Please read this before you proceed

①

M x 1

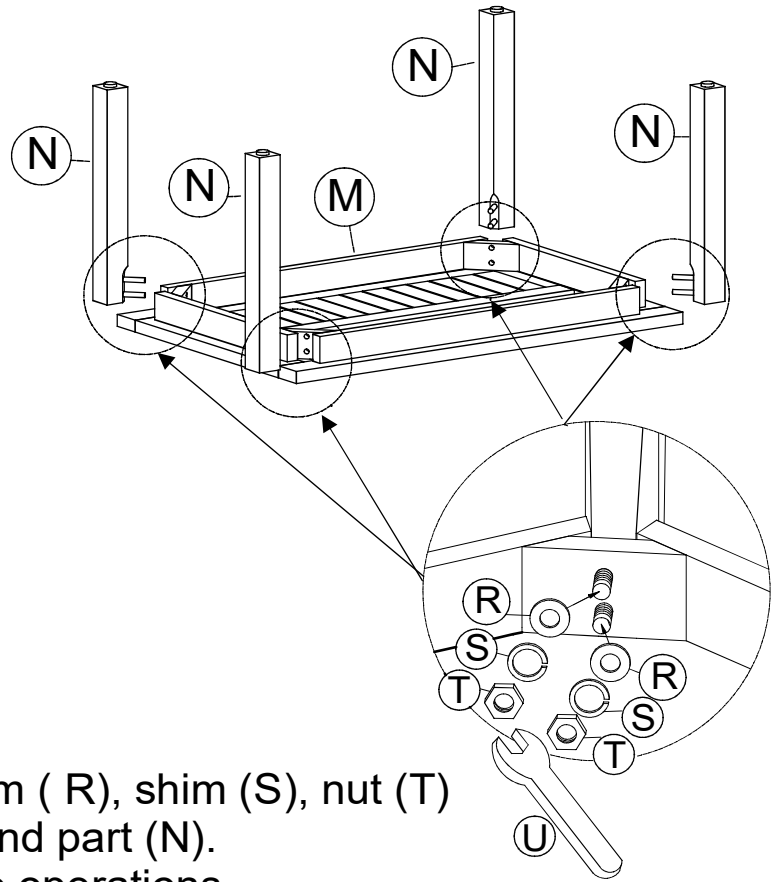
N x 4

R x 8

S x 8

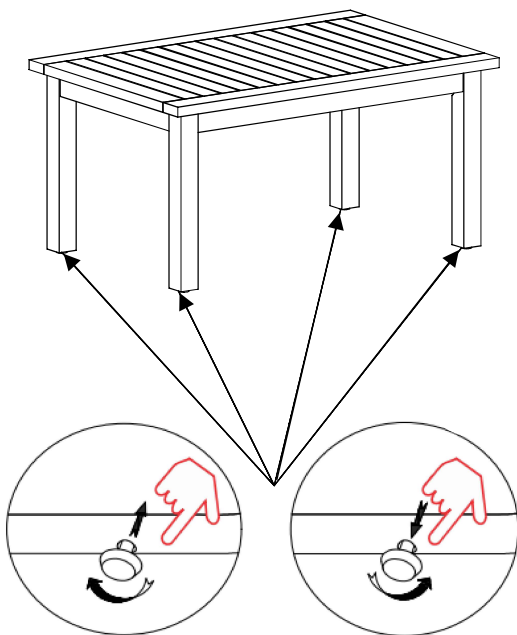
T x 8

U x 1



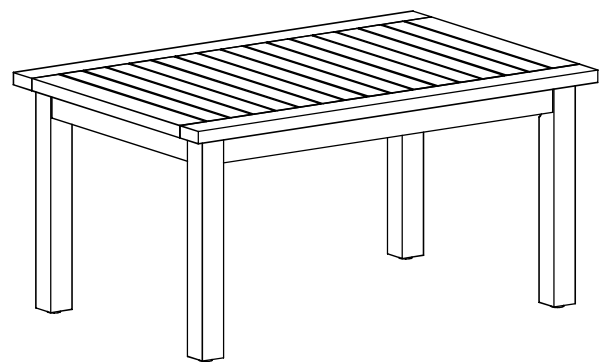
Use the Spanner (U), shim (R), shim (S), nut (T) to connect the part (M), and part (N).  
This process requires two operations.  
Note: only tighten 80%

②



Adjust this position up or down

③



Finish