


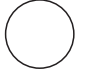
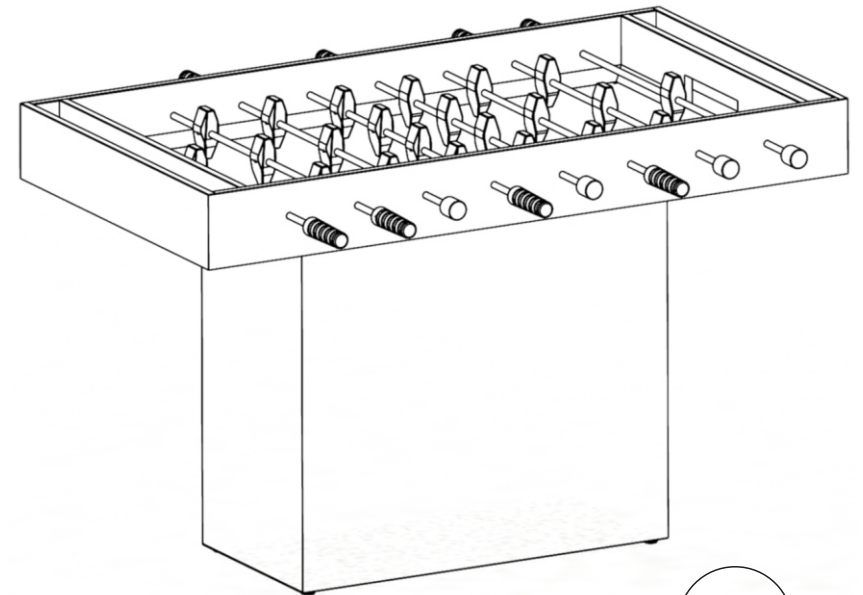
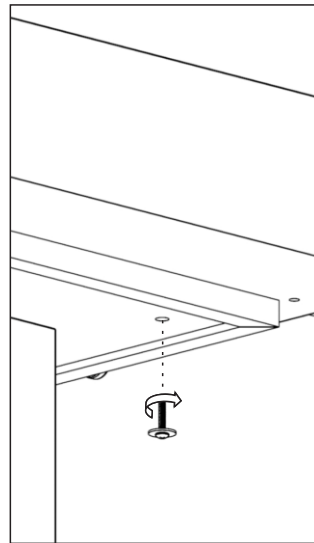
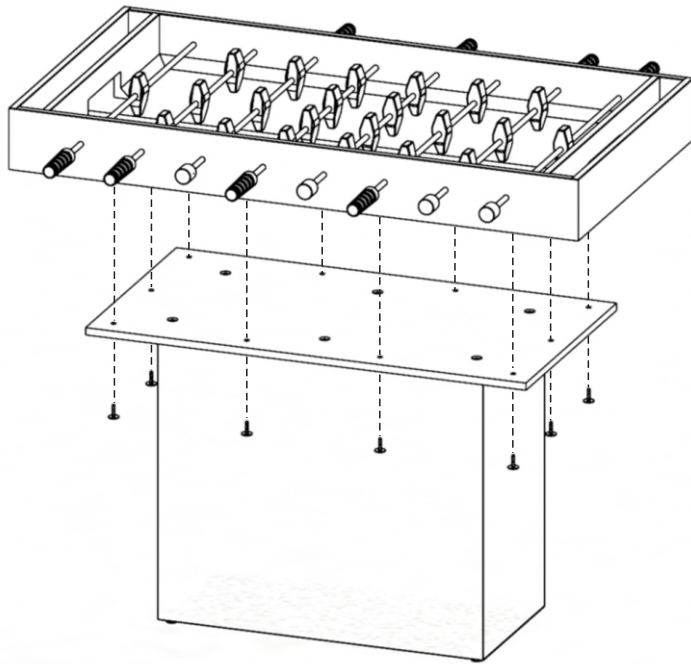
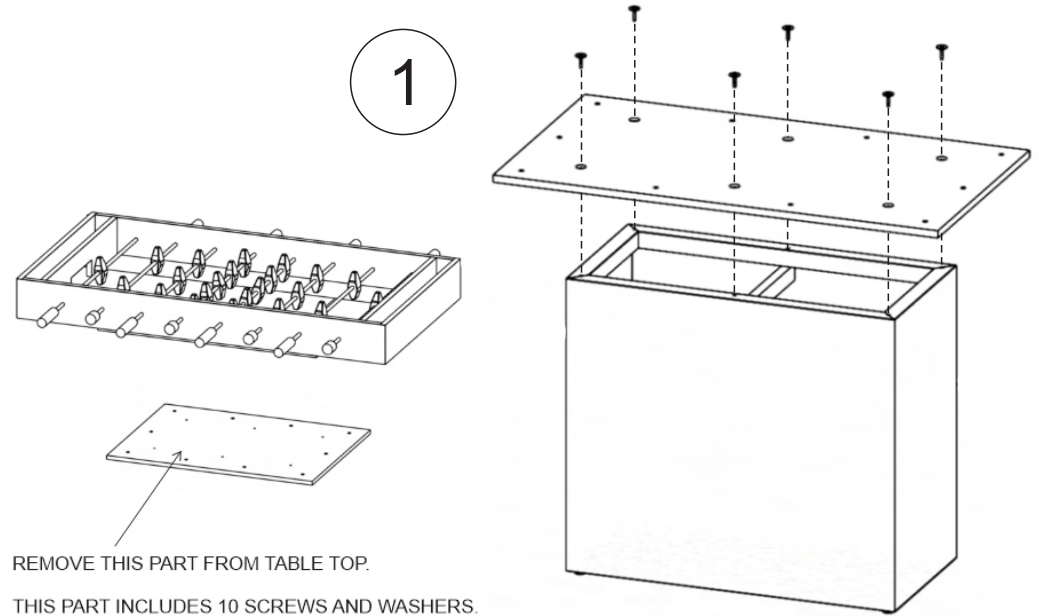


HARDWARE LIST

ASSEMBLY INSTRUCTIONS FOR OUTDOOR FOOSBALL TABLE

HEAVY ITEM HANDLE WITH CARE, CAREFULLY ASSEMBLE COMPONENTS TO AVOID DAMAGE.

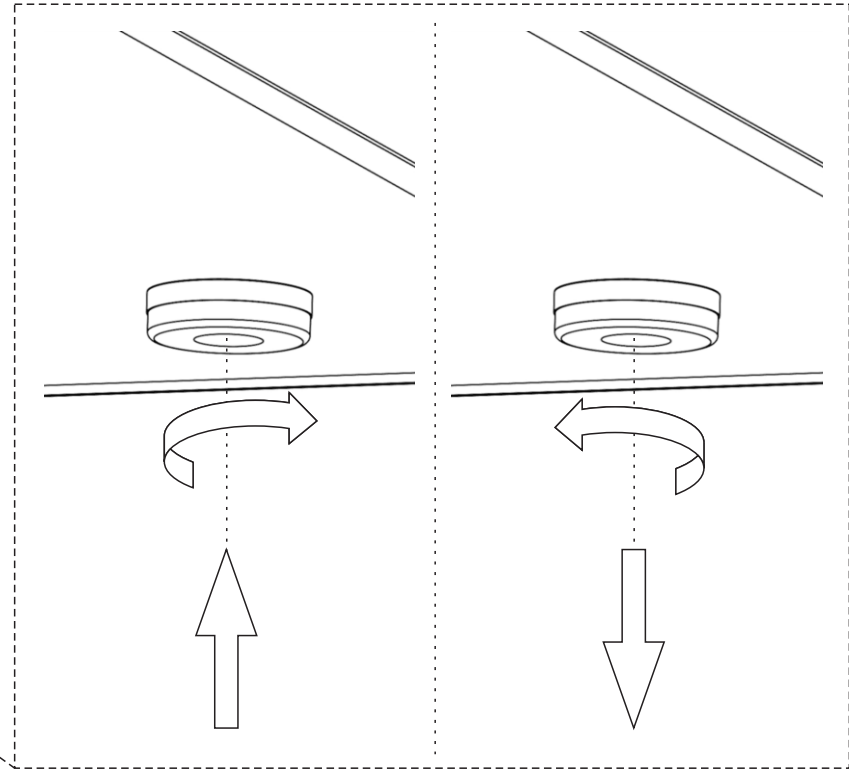
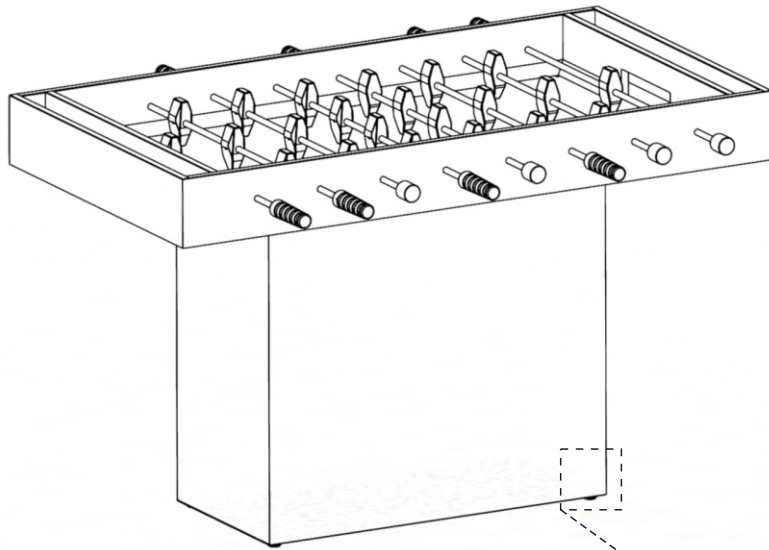
A		SCREW	1/4" X 1 1/4"	10
B		SCREW	1/4" X 1 1/2"	6
C		WASHER	---	16
D		BALL	---	2



2

3

ASSEMBLY INSTRUCTIONS FOR OUTDOOR FOOSBALL TABLE



ADJUST LEVELER FOR BALANCE

Adjusting Floor Levelers

Your furniture has been expertly crafted and pre-adjusted by professionals. However, slight shifts can occur during transportation. If you notice that the doors are not perfectly aligned or the furniture wobbles, a quick adjustment can help ensure stability and a seamless look.

Adjust the Floor Levelers

Check for Stability – Place the furniture in its final position on a level surface. If it wobbles or doesn't sit evenly, the floor levelers need adjusting.

Locate the Levelers – These are small adjustable feet found at the bottom corners of your furniture.

Adjust as Needed – Using your hand or a wrench, turn the levelers clockwise to raise or counterclockwise to lower the furniture. Make small adjustments and check stability after each turn.