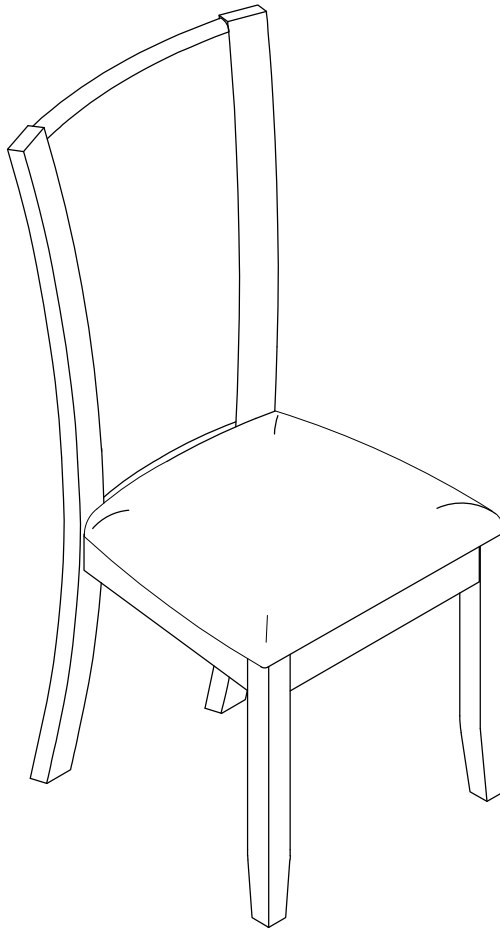


# ASSEMBLY INSTRUCTIONS

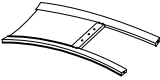
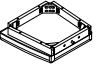

ITEM NO. FB3042HAY-SC-2PK



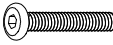

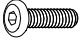



## ASSEMBLY TIPS:

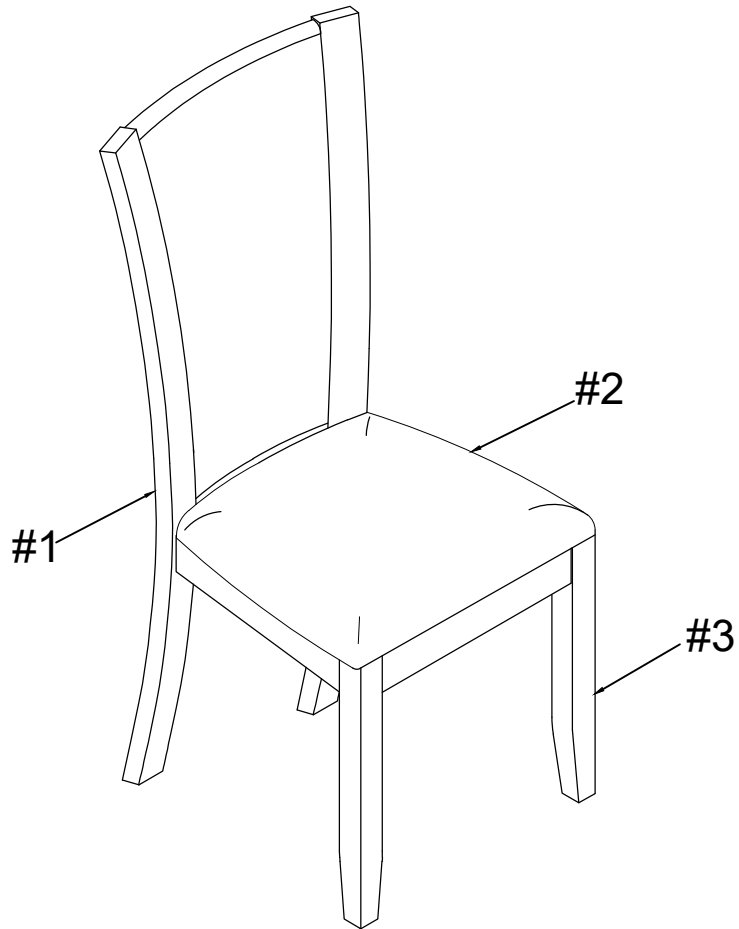
1. Remove hardware from box and sort by size.
2. Please check to see that all hardware and parts are present prior to start of assembly.
3. Please follow attached instructions in the same sequence as numbered to assure fast & easy assembly.

## Part List

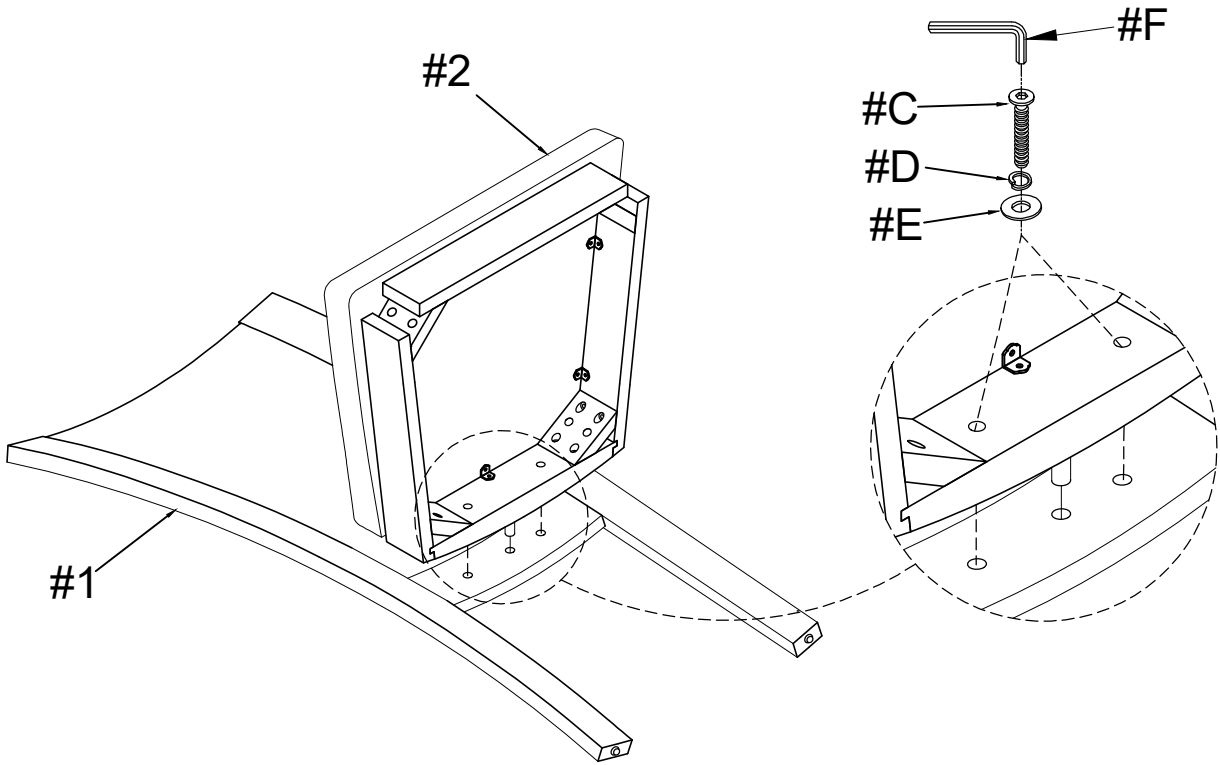
NO.	DIAGRAM	PART NAME	Q'ty
#1		Back frame with cushion	1pc x2
#2		Seat frame with cushion	1pc x2
#3		Front Legs	2pcs x2

## Part List

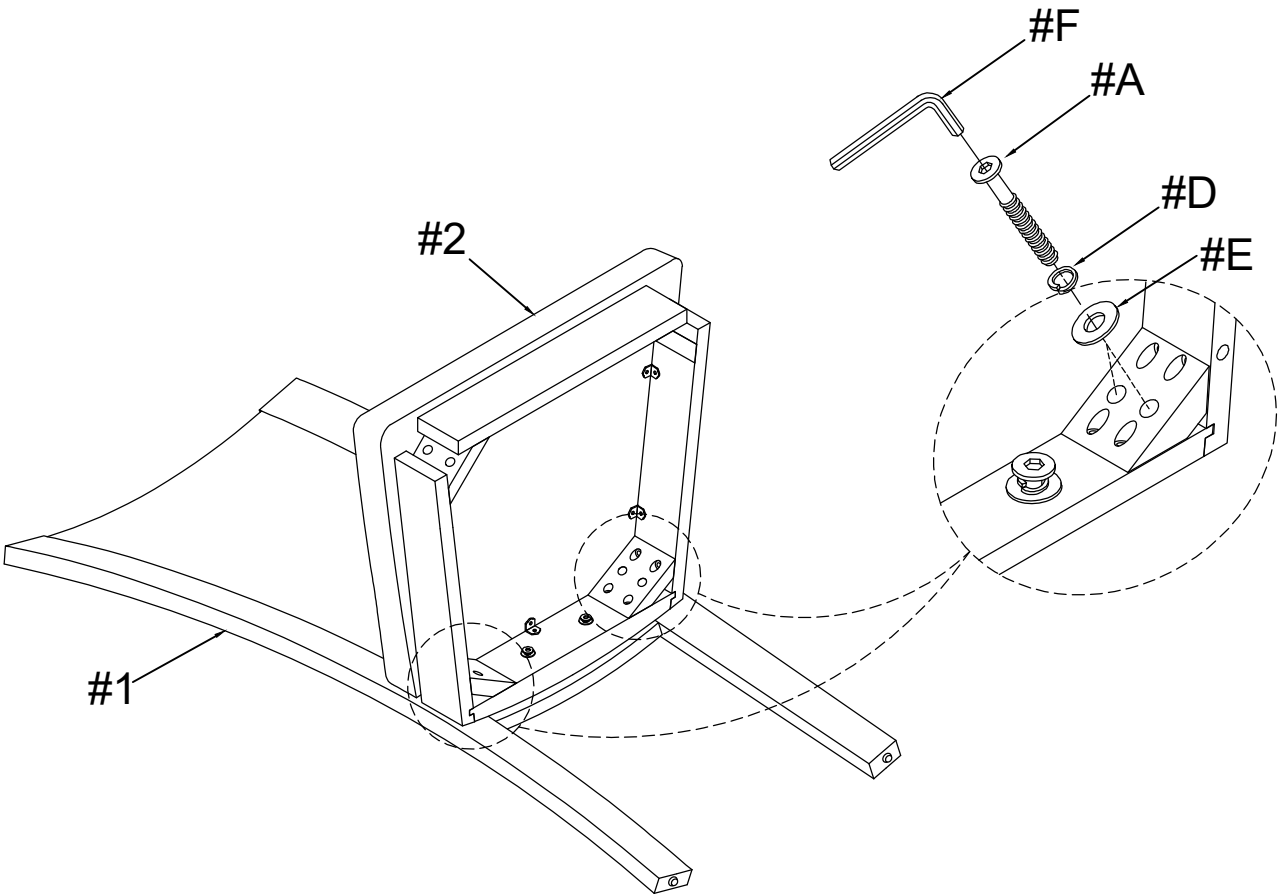
NO.	DIAGRAM	PART NAME	Q'ty
#A		Bolt Ø1/4" x 3"	4pcs x2
#B		Bolt Ø1/4" x 2-3/8"	4pcs x2
#C		Bolt Ø1/4" x 1-1/2"	2pcs x2
#D		Spring washer Ø1/4"	10pcs x2
#E		Flat washer Ø1/4"	10pcs x2
#F		Allen key M4	1pc x2



**STEP 1:**

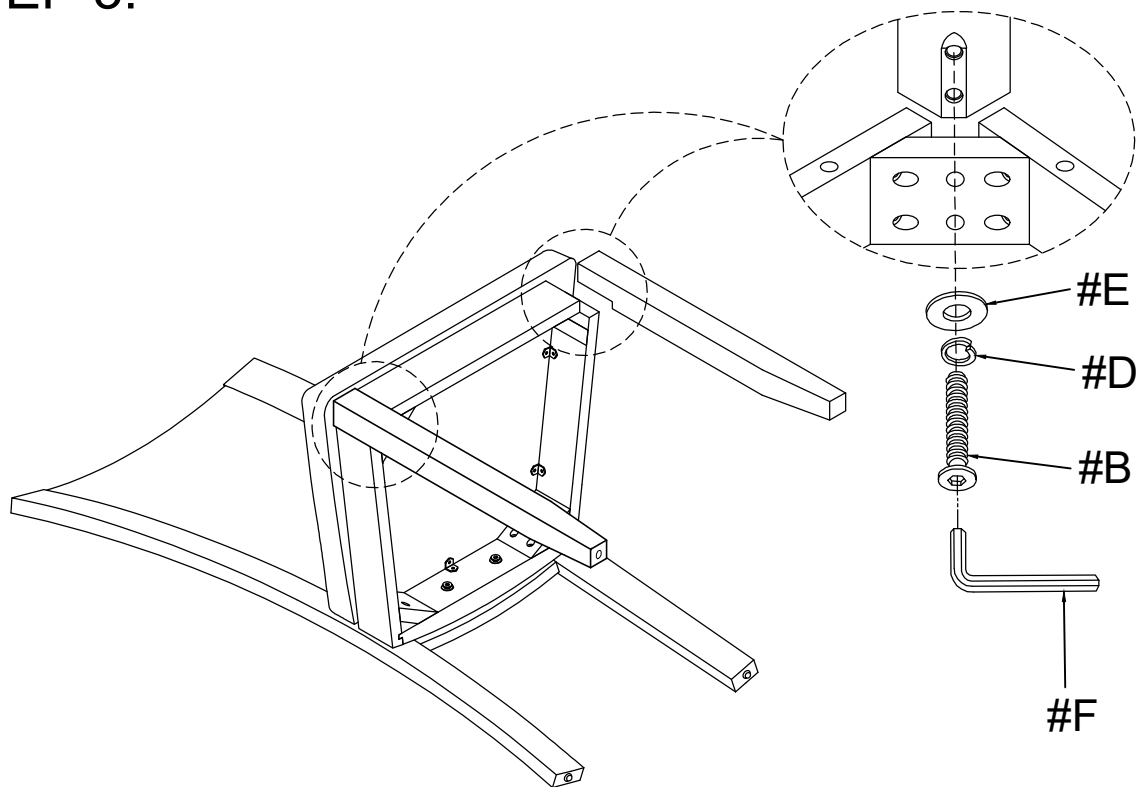


**STEP 2:**

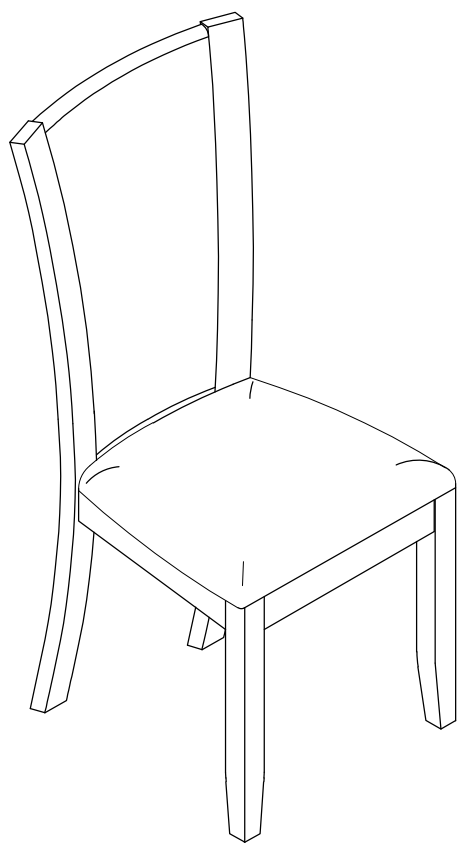


**Do not tighten screws until completely assembled.**

### STEP 3:



### STEP 4:



**Tighten all screws until completely assembled.**