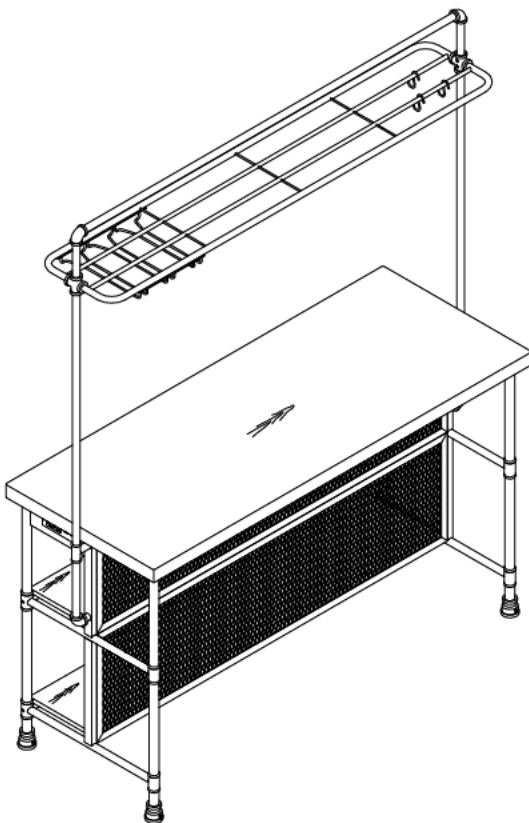


ASSEMBLY INSTRUCTIONS



TOOLS REQUIRED



Allen Wrench

(Included)



Phillips Screwdriver

(Not Included)



2 - People
Recommended

ASSEMBLY RATING



EASY ————— DIFFICULT

The Assembly Rating is a 5-point system showing the level of effort needed to assemble a specific product.



CHECK BEFORE STARTING

Are you missing anything?

Double-check all parts, hardware and accessories listed are all accounted for.

Check out our Quick Tips!

We recommend reviewing the pre-assembly handouts. Even experts need a refresher now and then!

Should we send any replacements?

Are there any irregularities or flaws in the parts? We can send replacements!

Prep Time!

Please review the assembly instructions and all diagrams prior to assembling.

PRE ASSEMBLY INTRODUCTION

We understand building ready-to-assemble furniture can be a challenging experience for some. To help avoid confusion, we have provided some helpful tips that may speed up the process.



Teamwork

ALWAYS have at least two people to help with transporting and assembling the product to avoid potential injury and/or damage.



Suitable Location

Assembling near the area of the intended location is highly recommended.



Sufficient Space

Make sure you have enough space to move around during the assembly.



Avoid Scratches

Use cardboard, blankets or a carpeted area while assembling furniture to prevent to prevent scratches and damages.



Flat Surface

Make sure the furniture rests on a flat and level surface with each leg evenly touching the floor.

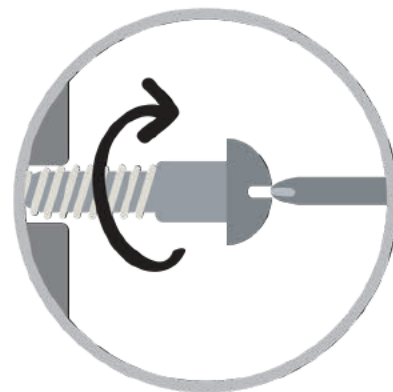
ASSEMBLY AND CARE ADVICE



FAILURE TO FOLLOW THE GUIDELINES BELOW MAY RESULT IN INJURY AND/OR PROPERTY DAMAGE.



Position each part correctly and insert screws or bolts into their respective holes.



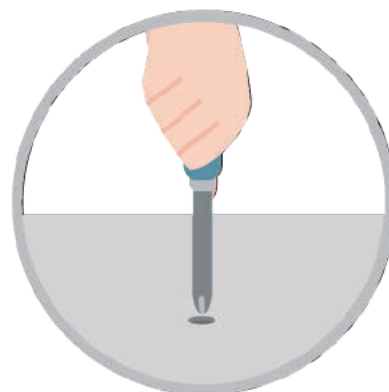
Turn clockwise to tighten and only tighten when step is completed or when instructed to do so.



Use the appropriate hand tools or power tools for assembly. Select steps, such as tightening screws and/or bolts, may require hand tools to avoid causing damage during assembly.



Save the instructions and store any supplied tools for later maintenance.



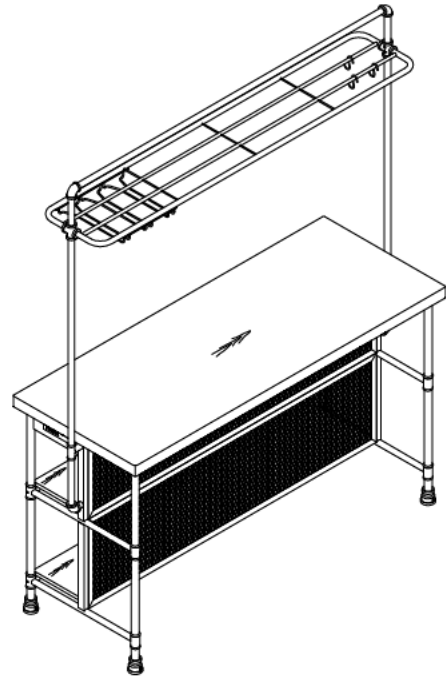
After two weeks, check and tighten any loose hardware and repeat again every six months thereafter.

IT IS THE USER'S RESPONSIBILITY TO MAINTAIN THE FURNITURE. THE HARDWARE MAY LOOSEN OVER TIME AND MAY CAUSE THE FURNITURE TO BE WOBBLY AND UNABLE TO SUPPORT ITS INTENDED WEIGHT CAPACITY. THIS MAY LEAD TO COLLAPSE AND MAY CAUSE SERIOUS INJURY.

Counter height table with USB port & power outlet



- Please keep instructions for future reference.
- Check the quantity and irregularity of parts and hardware before you start.



PARTS

#1 1pc



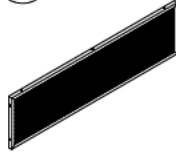
L Leg

#2 1pc



R Leg

#3 2pcs



Middle Frame

#4 2pcs



Support Tube

#5 2pcs



Back Support Tube

#6 2pcs



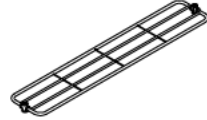
Up-Right Tube

#7 1pc



Top Tube

#8 1pc



Top Frame

#9 1pc

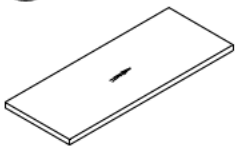
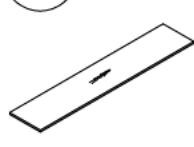


Table Board

#10 2pcs



Shelf Board

#11 1pc



Cup Holder

#12 1pc



Outlet

#13 3pcs

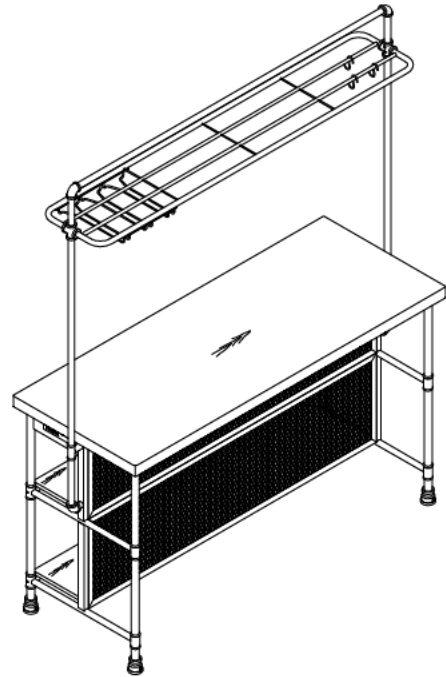


Hook

Counter height table with USB port & power outlet



- Please keep instructions for future reference.
- Check the quantity and irregularity of parts and hardware before you start.



HARDWARE

#A 16pcs



Bolt 1/4" x 1/2"

#B 4pcs



Bolt 1/4" x 1"

#C 6pcs



Bolt 1/4" x 1-1/8"

#D 4pcs



Bolt 1/4" x 1-3/8"

#E 4pcs



Bolt 1/4" x 2"

#F 2pcs



Bolt M3 x 10

#G 2pcs



Nut M3

#H 6pcs



Screw M5 x 15

#I 6pcs



Screw M5 x 30

#J 12pcs



Washer Ø16xØ7x1.0

#K 1pc

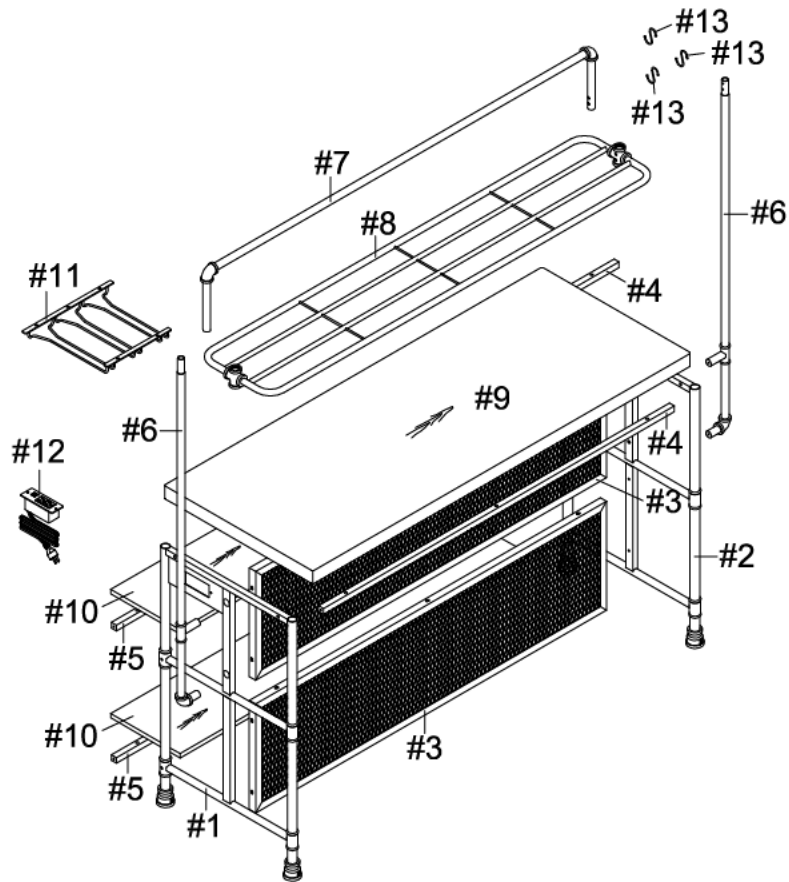


Allen Wrench M4

ASSEMBLY INSTRUCTIONS

1

Exploded View



2

Part #1 x 1pc

Part #2 x 1pc

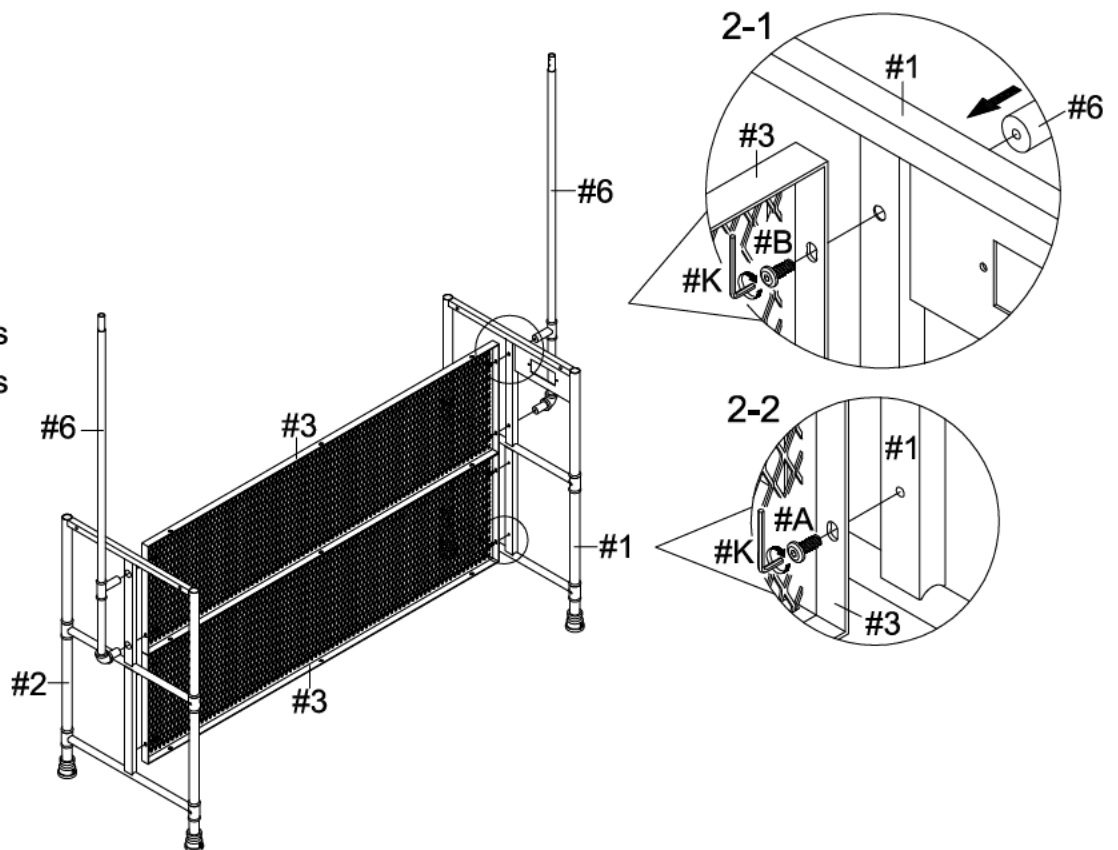
Part #3 x 2pcs

Part #6 x 2pcs

Hardware #A x 4pcs

Hardware #B x 4pcs

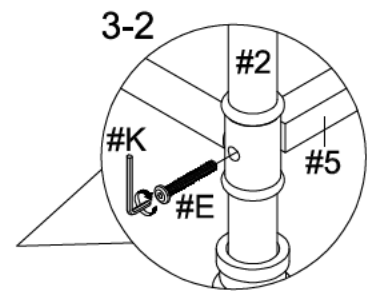
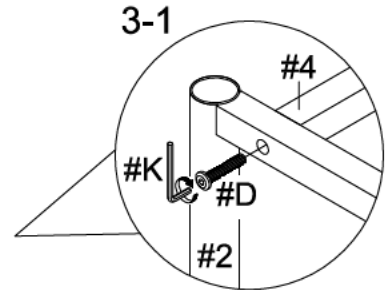
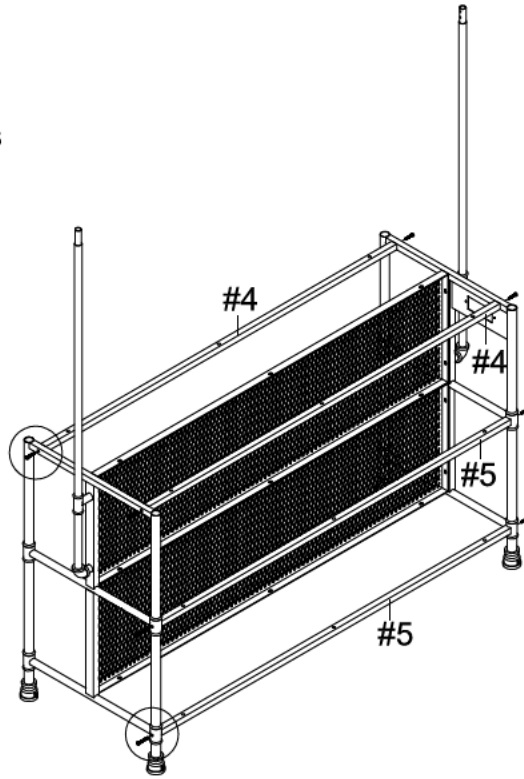
Hardware #K x 1pc



ASSEMBLY INSTRUCTIONS

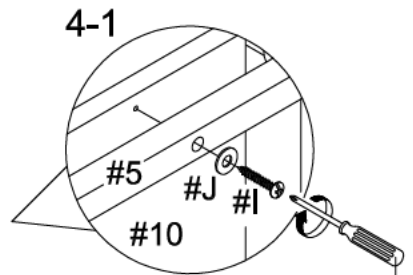
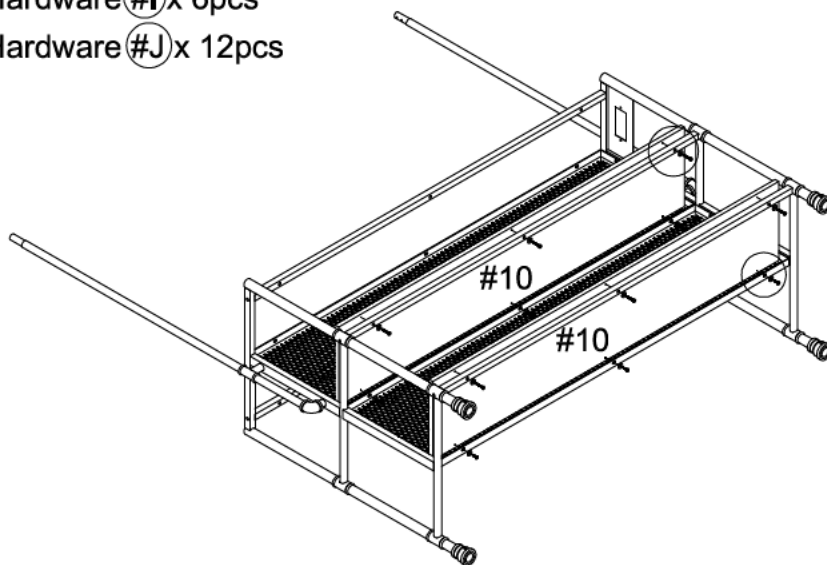
3

- Part #4 x 2pcs
- Part #5 x 2pcs
- Hardware #D x 4pcs
- Hardware #E x 4pcs
- Hardware #K x 1pc

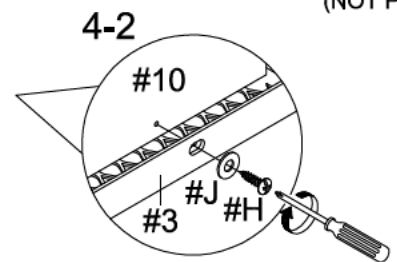


4

- Part #10 x 2pcs
- Hardware #H x 6pcs
- Hardware #I x 6pcs
- Hardware #J x 12pcs



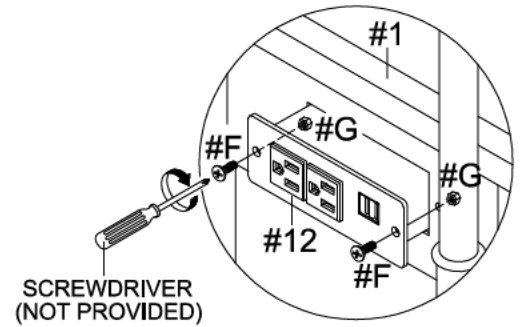
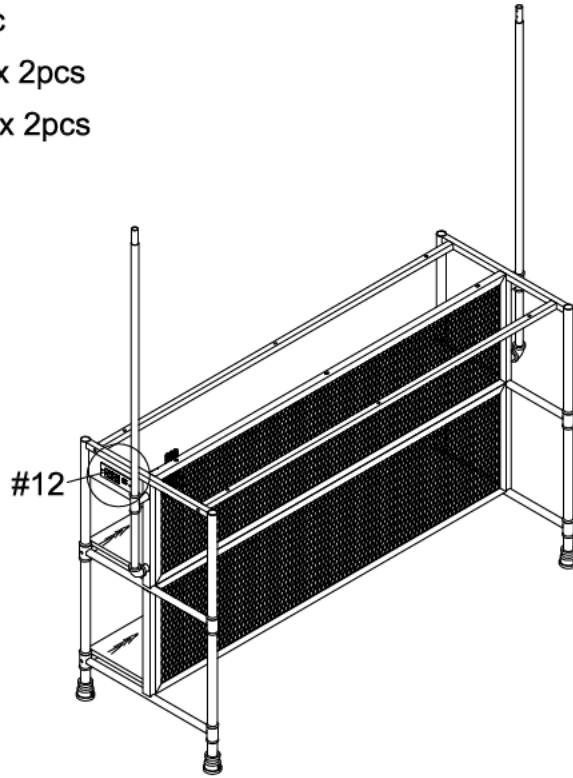
SCREWDRIVER
(NOT PROVIDED)



ASSEMBLY INSTRUCTIONS

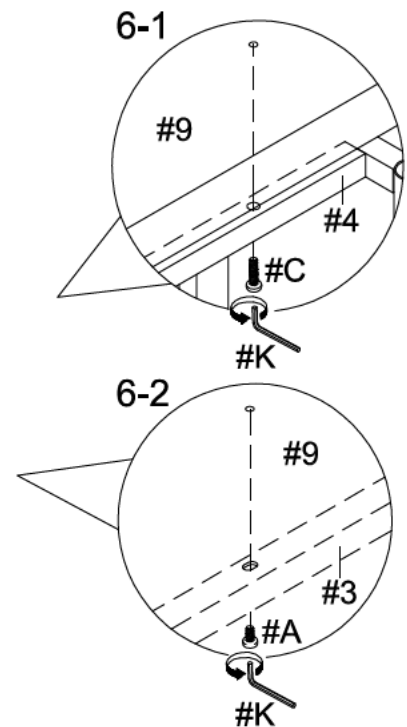
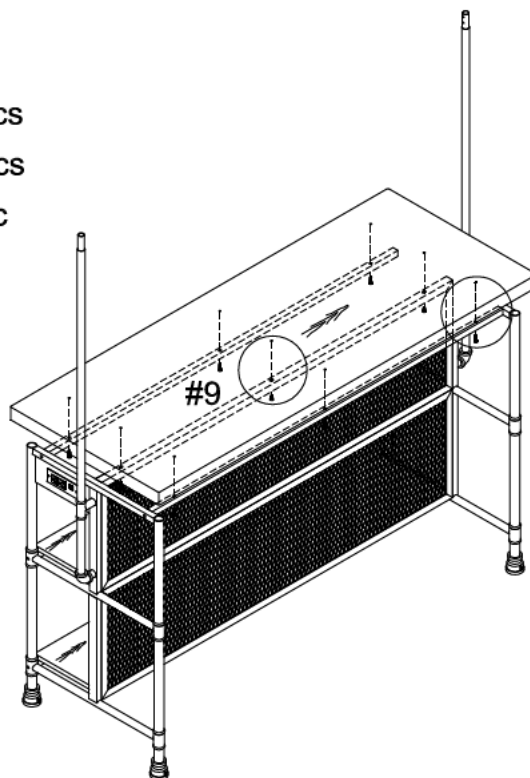
5

- Part #12 x 1pc
- Hardware #F x 2pcs
- Hardware #G x 2pcs



6

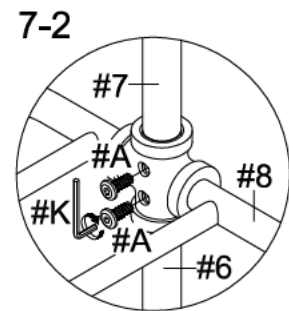
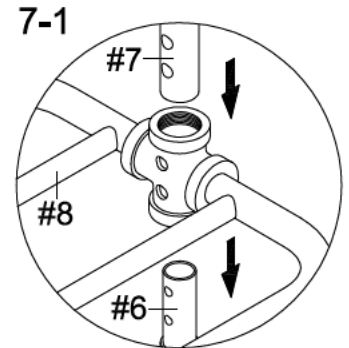
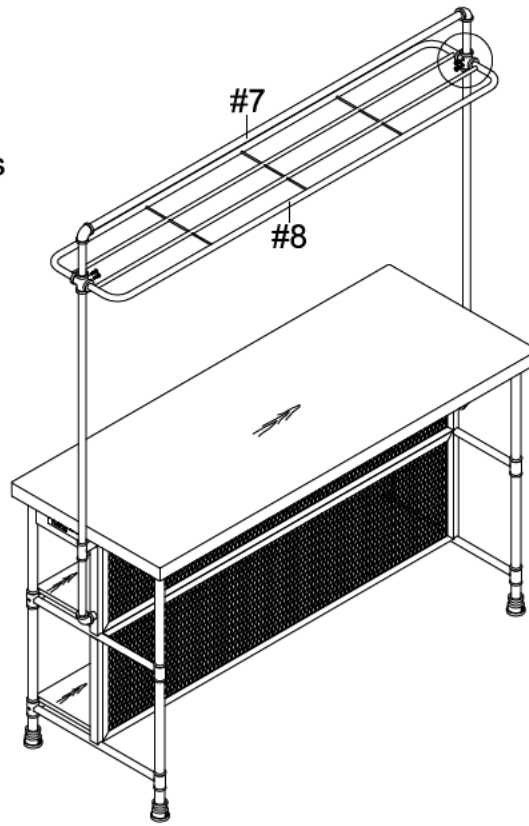
- Part #9 x 1pc
- Hardware #A x 3pcs
- Hardware #C x 6pcs
- Hardware #K x 1pc



ASSEMBLY INSTRUCTIONS

7

- Part #7 x 1pc
- Part #8 x 1pc
- Hardware #A x 4pcs
- Hardware #K x 1pc



8

- Part #11 x 1pc
- Part #13 x 3pcs
- Hardware #A x 5pcs
- Hardware #K x 1pc

