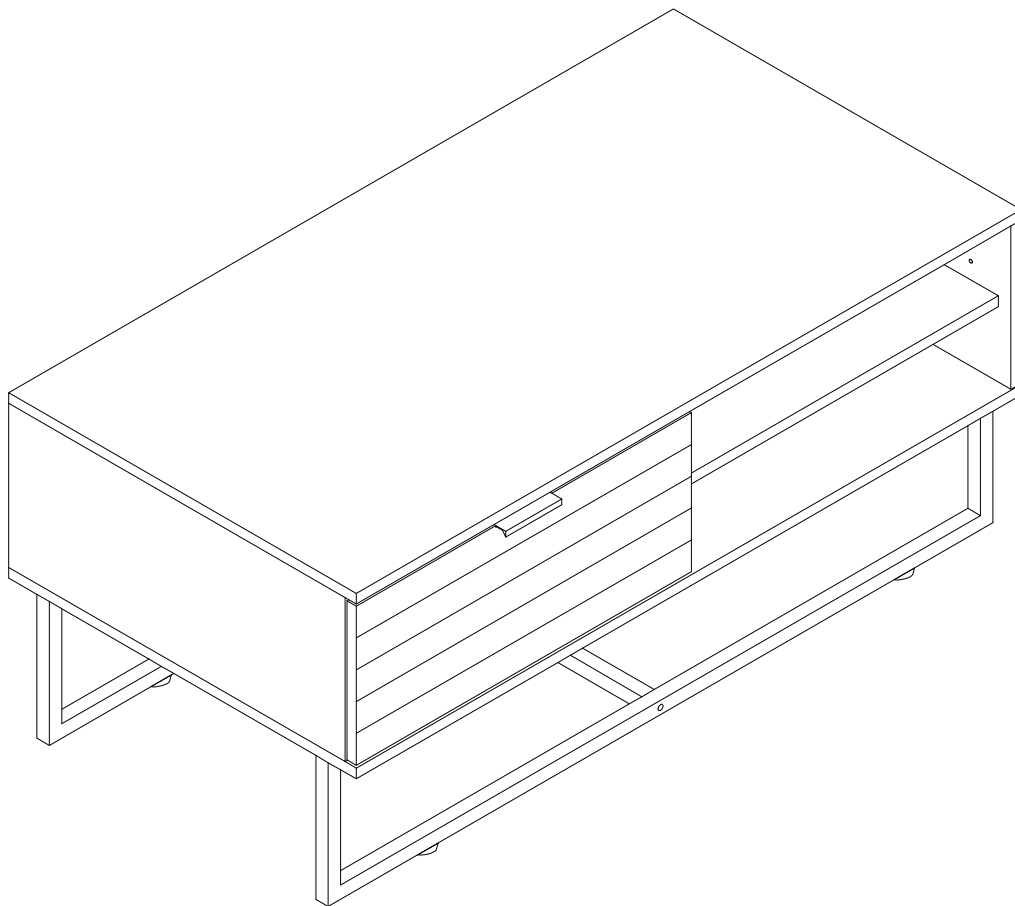


ASSEMBLY INSTRUCTION FURNITURE

Thank you for purchasing the quality product. Be sure to check all packing material carefully for small parts which may have come loose inside the carton during shipment. Separate, identify and count all parts and metal hardware. Compare with all parts list to be sure all parts are present. If any part(s) are missing or damaged, please contact your local furniture dealer. For efficient and speedy service, please indicate the model number and code letter of part(s) needed.

*****Do not fully tighten screws until fully assembled*****

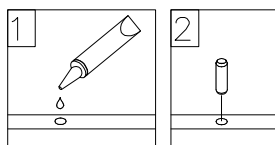


Attention:

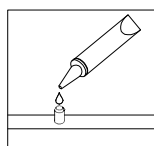
***Some number parts listed on the instruction sheet may not be in parts bag as they may already be assembled. Carefully check parts and packing materials prior to ordering replacements.

General Assembly Guidelines

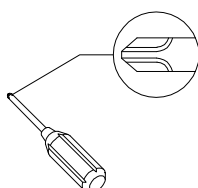
- I. Ensure that all parts and hardware are available before beginning assembly.
- II. Follow each step carefully to ensure the proper assembly of this product.
- III. Two people are recommended for ease in the assembly of this product.
- IV. The three main types of hardware used to assemble this product are: wood dowels, screws and bolts.
- V. The provided glue is to secure wood dowels in place. When first inserting dowels, locate the appropriate hole for the dowel, place a small amount of glue in the hole and insert the dowel. Wipe away excess glue immediately.



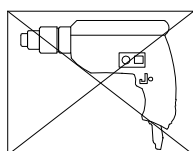
In future assembly steps when dowels are necessary to attach assembly parts together, place a small amount of glue on the end of the dowel before attaching parts together. Wipe away excess glue immediately.



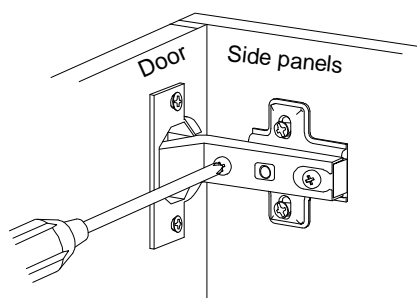
- VI. A Phillips head screwdriver is required for the assembly of this product.



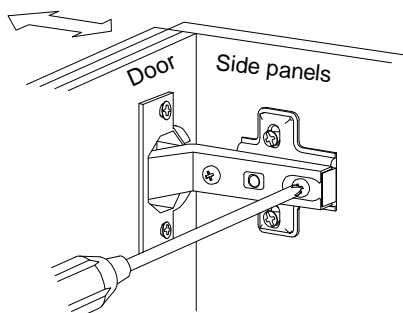
- VII. Power tools should not be used to assemble this product.



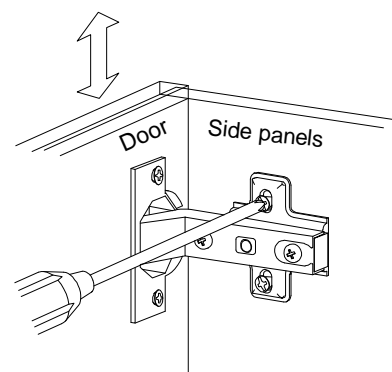
- VIII. Concealed hinges are three-way adjustable.



Horizontal
by screw adjustment

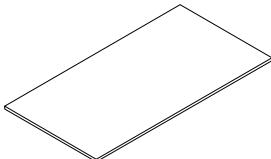
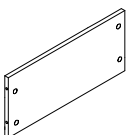
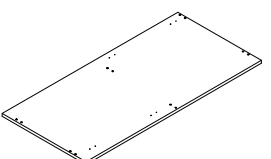
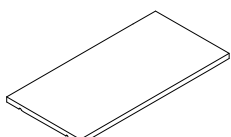
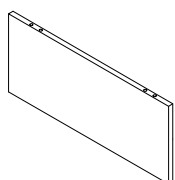
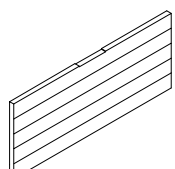
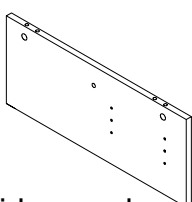
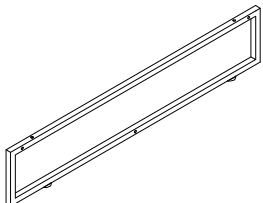
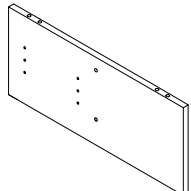
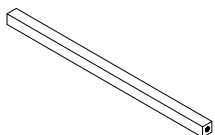
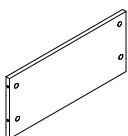


In-and-Out
by loosening the hinge-arm
mounting screw or via cam
adjustment








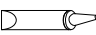
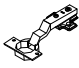

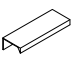




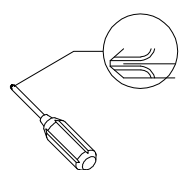
Vertical
Via slots in the mounting
plate or via cam adjustment

COMPONENT PARTS

DESCRIPTION	PART NAME	QTY(PCS)	DESCRIPTION	PART NAME	QTY(PCS)
①	 Table Top	1	⑦	 Right middle riser	1
②	 Table Bottom	1	⑧	 Active shelf	2
③	 Left side panel	1	⑨	 Door panel	2
④	 Right side panel	1	⑩	 Metal tube	2
⑤	 Mid-side panel	1	⑪	 Metal tube	3
⑥	 Left middle riser	1			

Hardware List

A		Ø8x30mm	Wooden dowel	12 pcs
B		Ø6x35mm	Cam bolt	14 pcs
C		Ø15x11mm	Cam lock	14 pcs
D		Ø30mm	Sticker	14 pcs
E		Ø6x50mm	Screw	6 pcs
F		Ø1/4"x30mm	Bolt	10 pcs
G		4mm	Allen Key	1 pcs
H			Glue tube	1 pcs
I			Hinge	4 pcs
J		Ø3.5x14mm	Bolt	16 pcs
K			Handle	2 pcs
L		Ø8x5x16mm	Shelf support pin	8 pcs
M		Ø3.5x14mm	Bolt	4 pcs



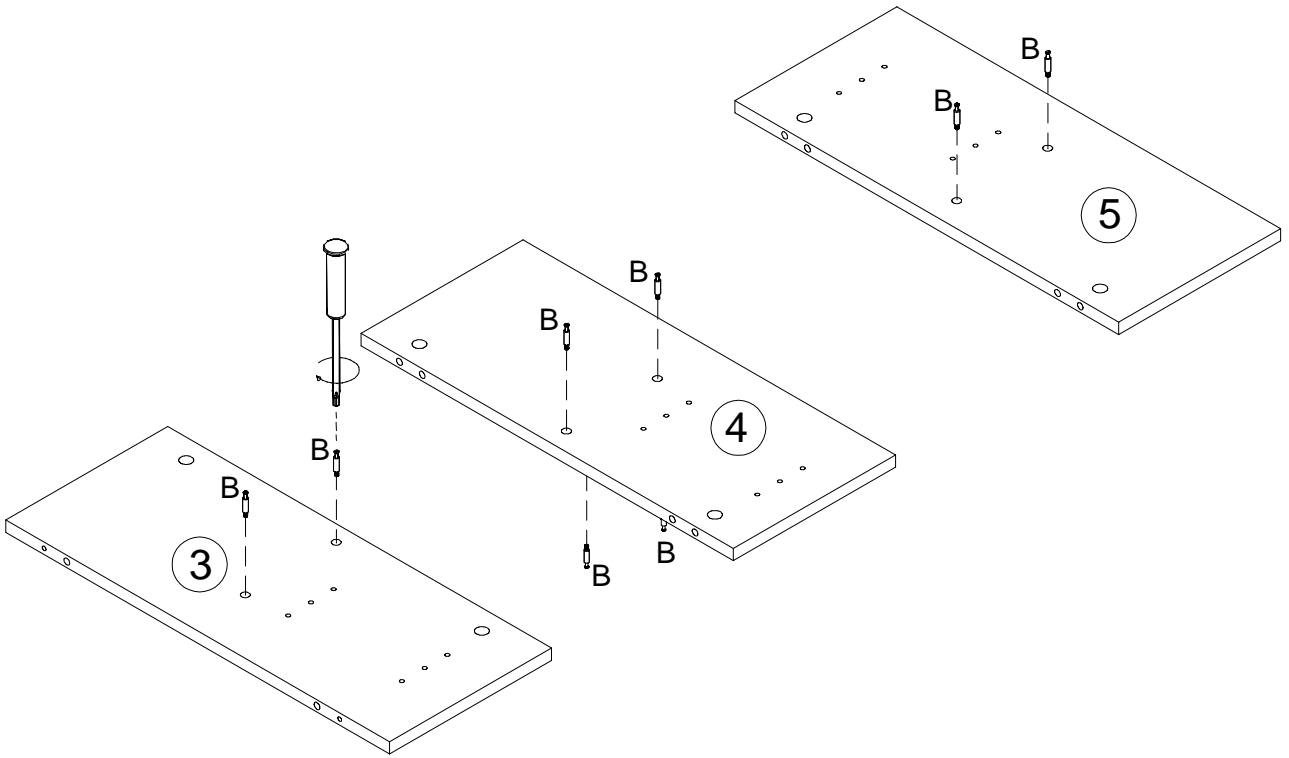
Philips head screwdriver required for assembly
(not included)

*The hardware quantities listed above are required for proper assembly.
Some extra hardware may also have been included.*

Step 1

B x 8

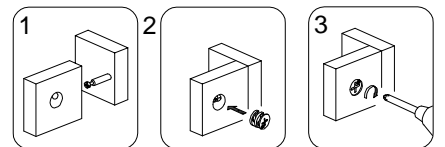
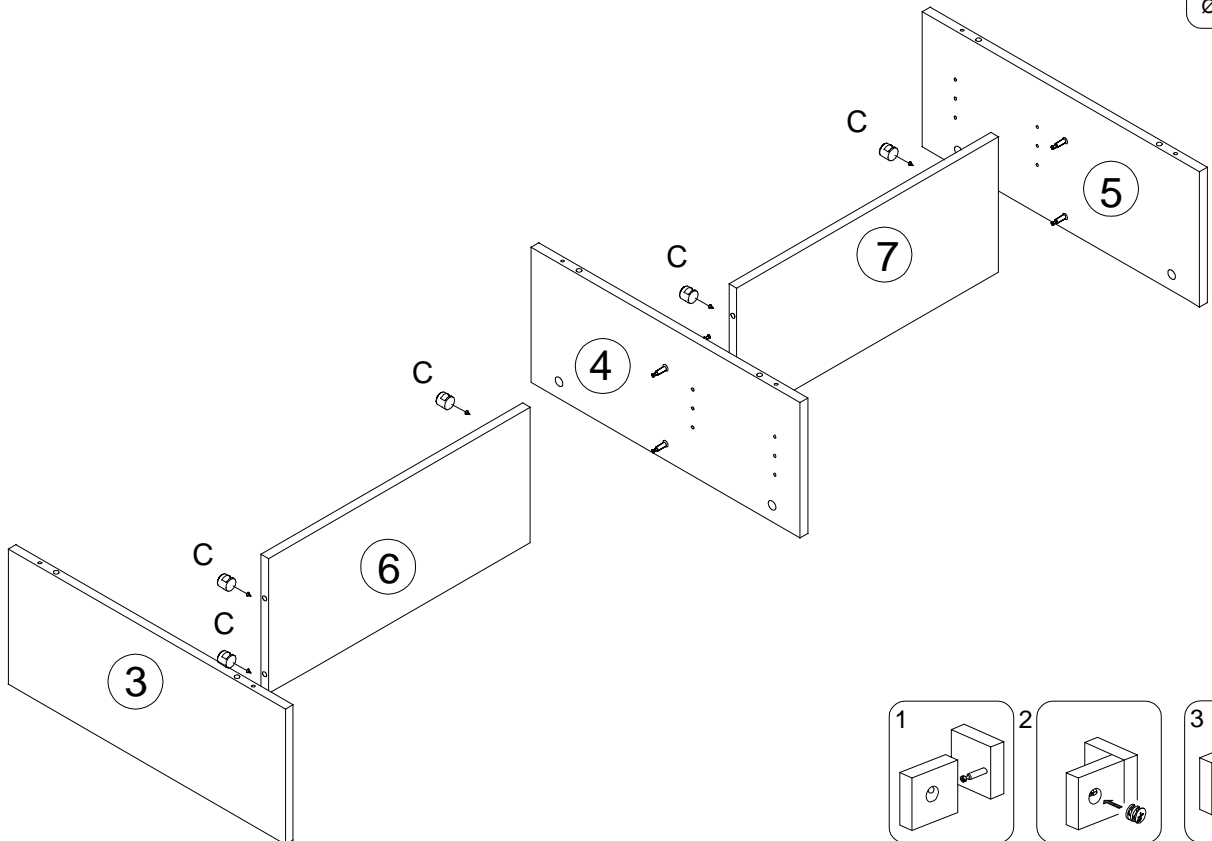
Ø6x35mm




Step 2

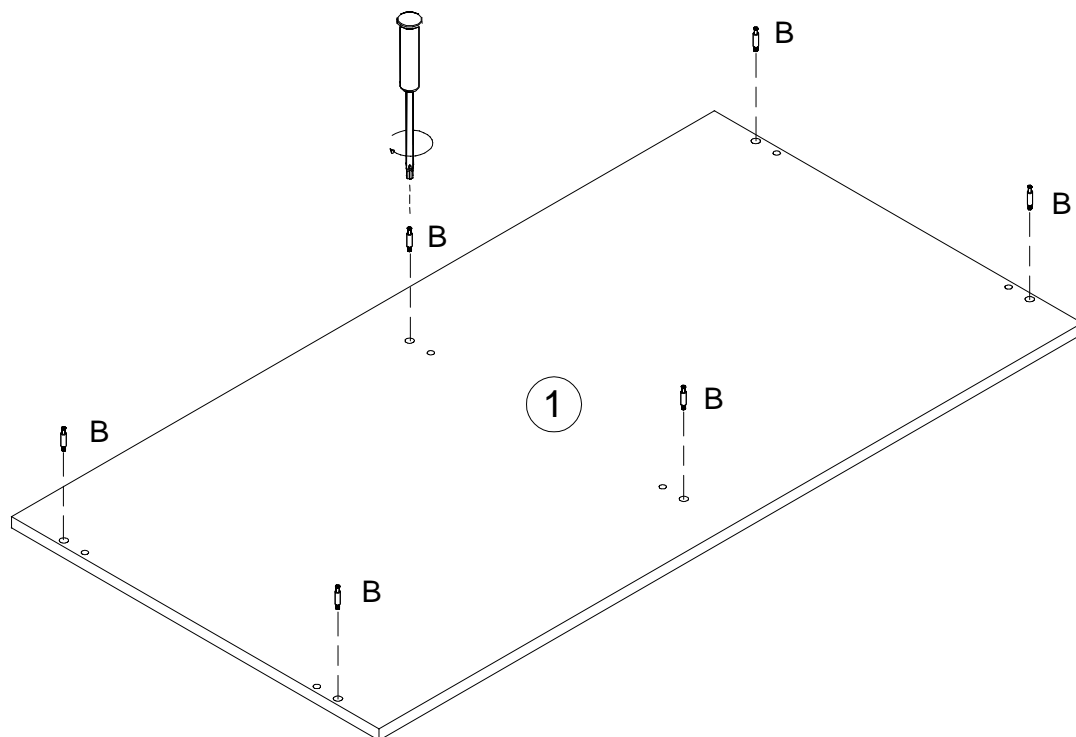
C x 8

Ø15x11mm





Step 3

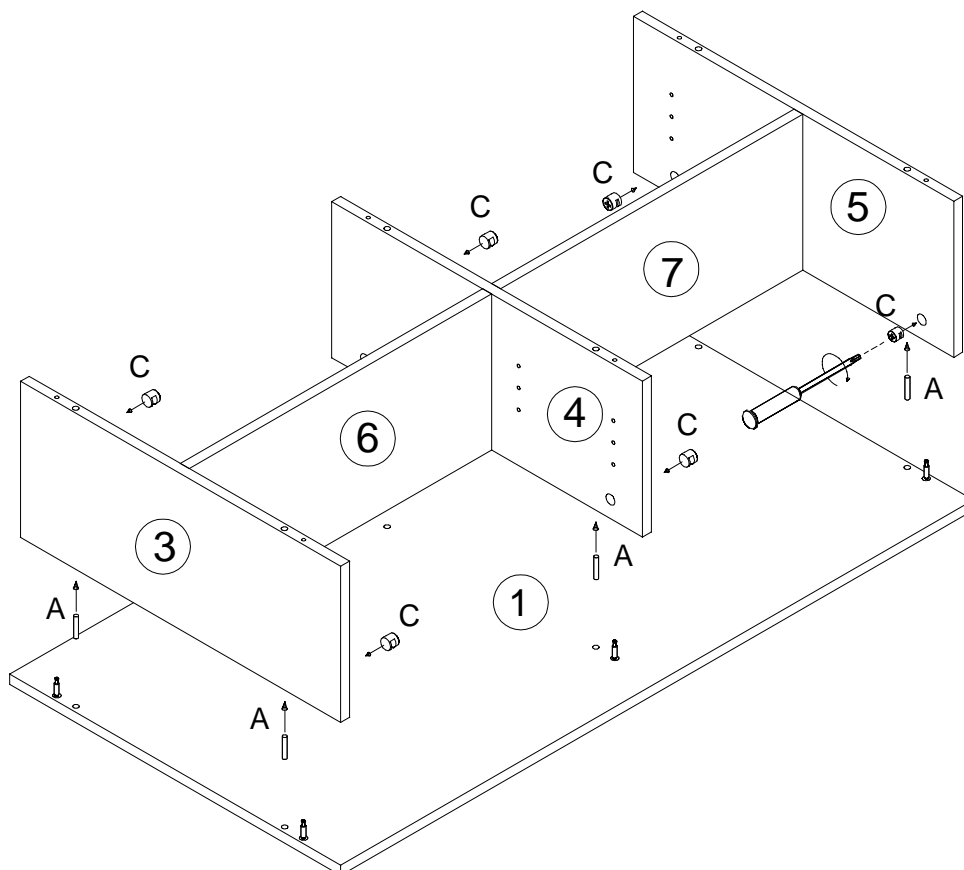
B x 6

Ø6x35mm






Step 4

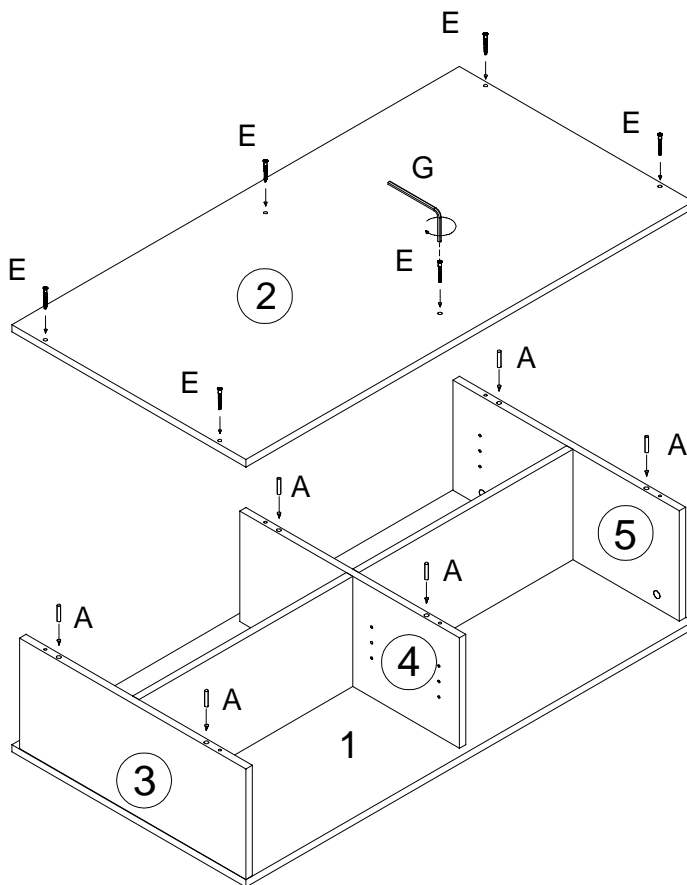
A x 6

Ø8x30mm

C x 6

Ø15x11mm




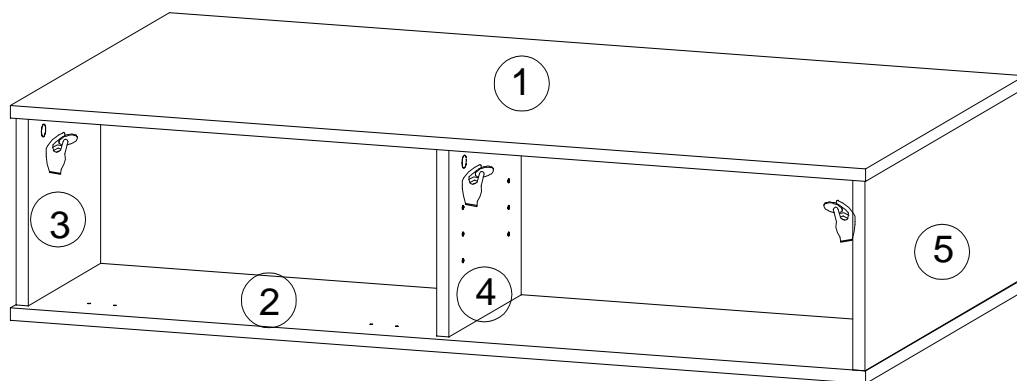
Step 5

A x 6  Ø8x30mm	E x 6  Ø6 x50mm	G x 1  4mm
---	--	---







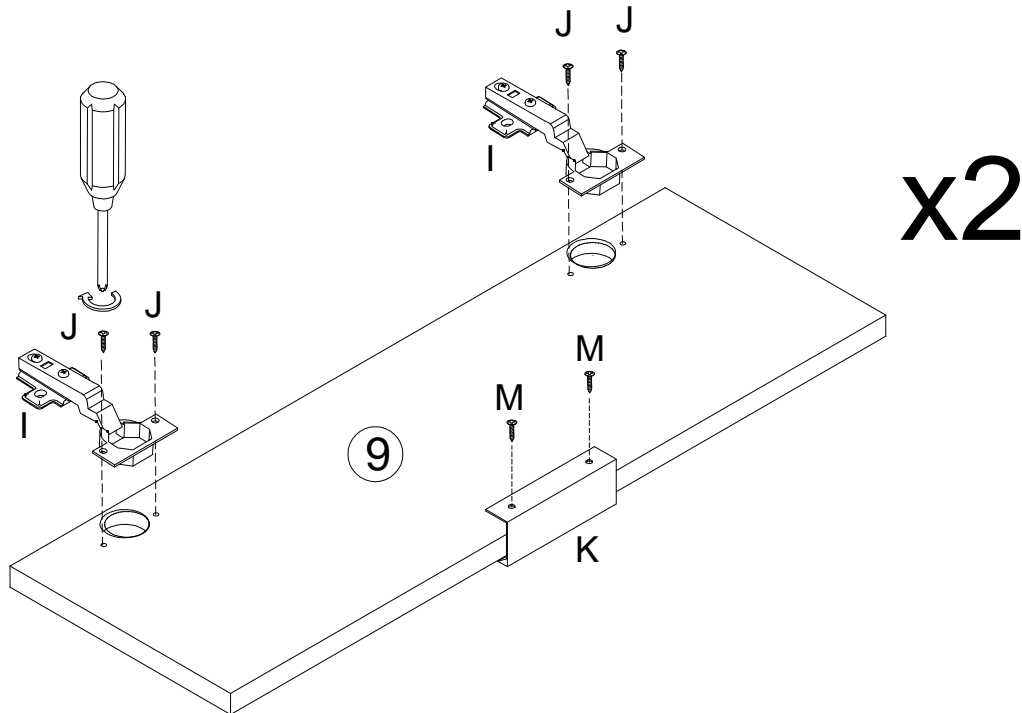
Step 6

D x 14 





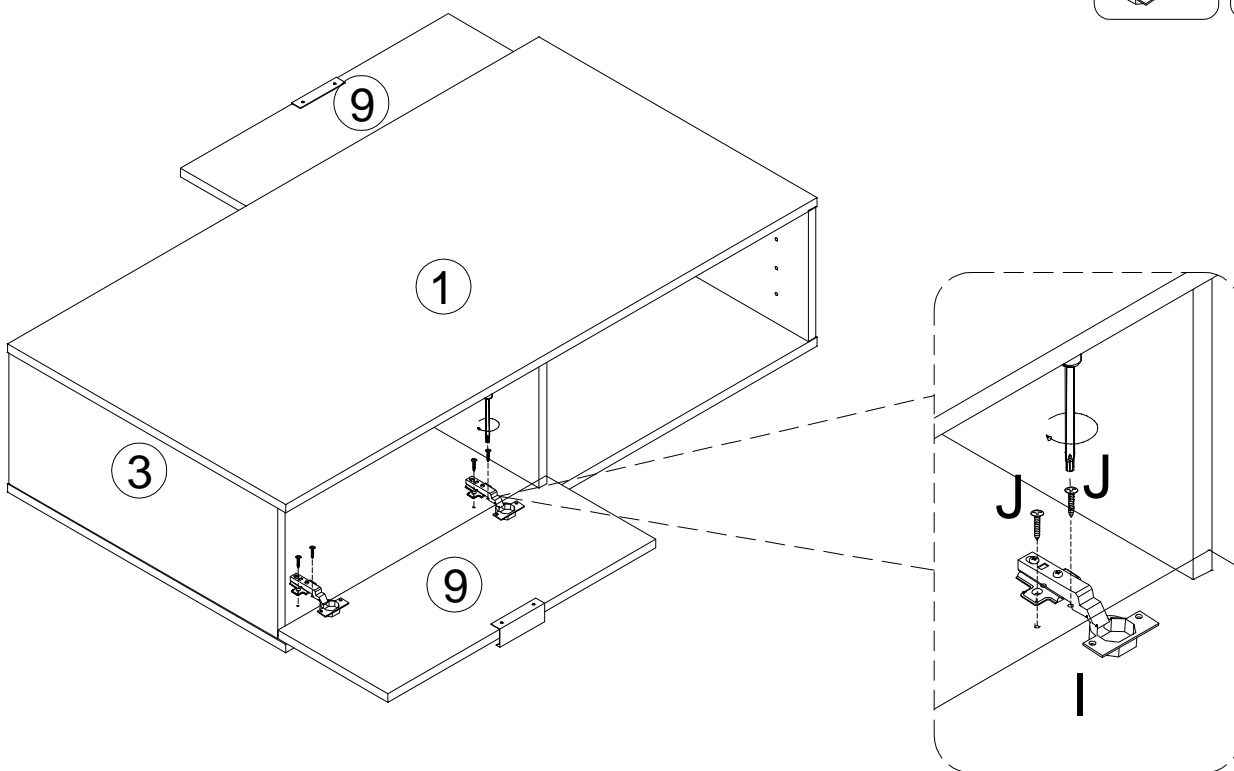
Step 7

I x 4	J x 8	K x 2	M x 4
	 Ø3.5x14mm		 Ø3.5x14mm



Step 8

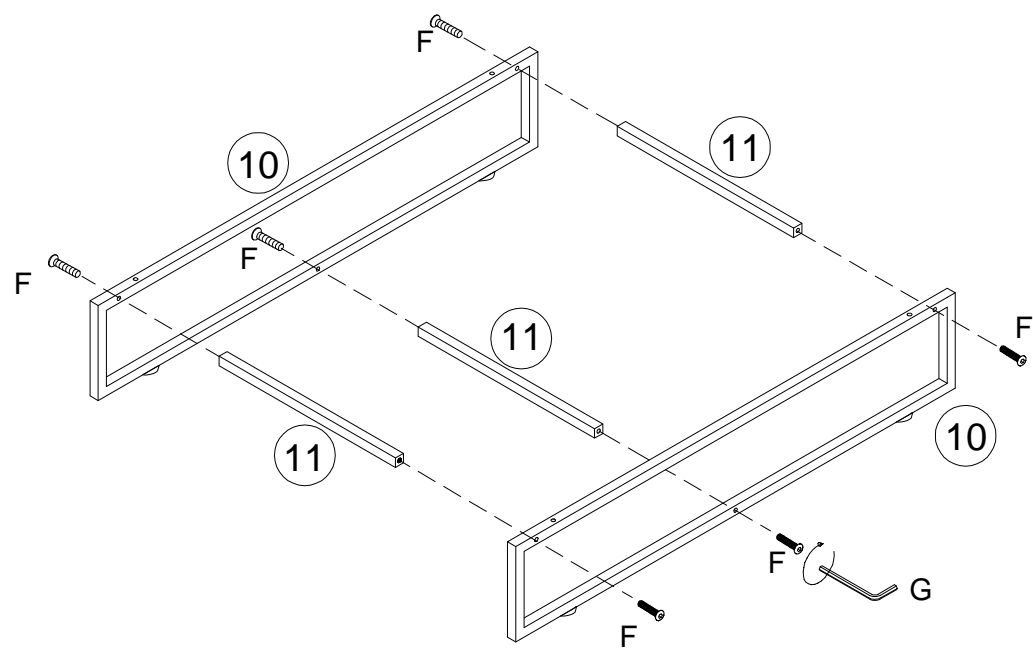
I x 4	J x 8
	 Ø3.5x14mm



Step 9

F x 6
Ø1/4"x30mm

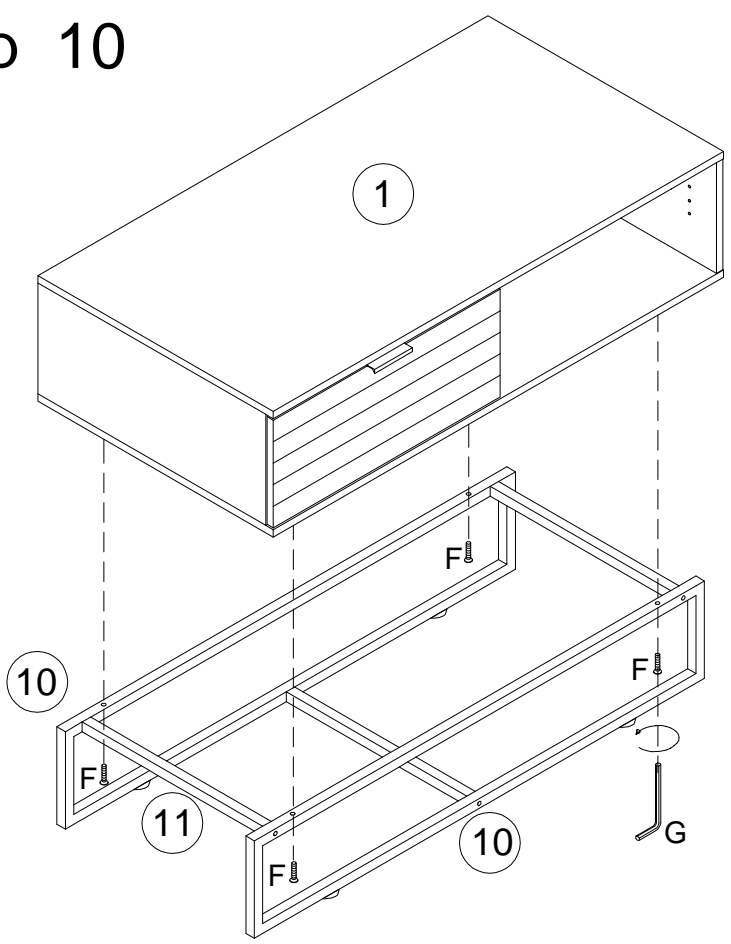
G x 1
4mm



Step 10

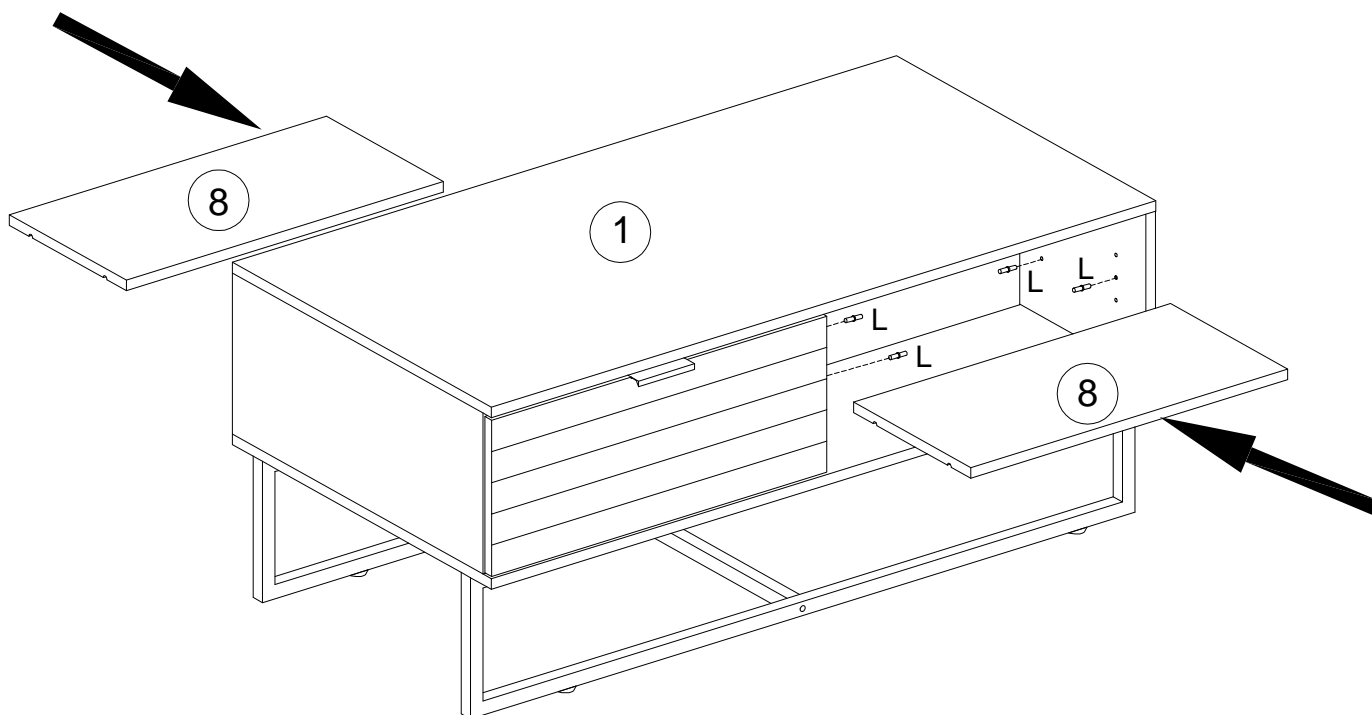
F x 4
Ø1/4"x30mm

G x 1
4mm



Step 11

L x 8



Step 12

