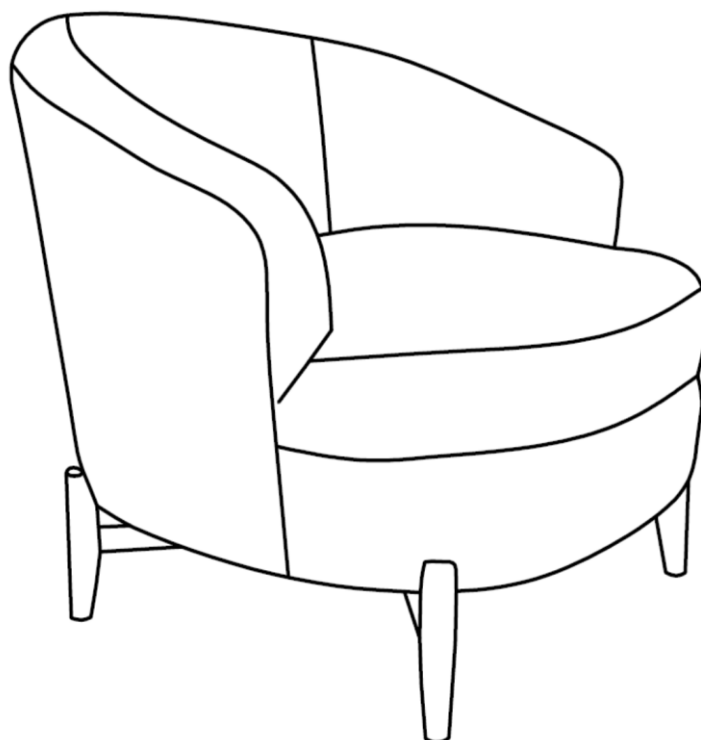


Assembly Instructions

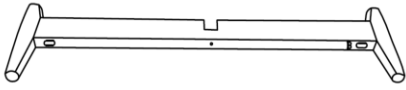
Accent Chair

Caution: You must read this before you proceed.








Parts List

Label	Picture	Description	Qty
A	A line drawing of the chair's main body, showing the seat and backrest without the legs.	Chair Body	1
B	A line drawing of a single leg, showing its attachment points and a small label 'A' on the side.	Leg① (Labeled'A')	1

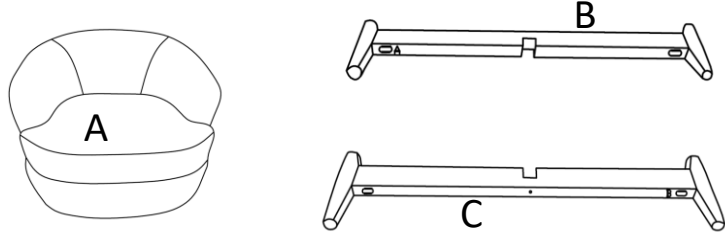
C		Leg② (Labeled'B')	1
---	---	-------------------	---




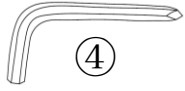
Hardware


Label	Picture	Description	Qty
①		Bolt (M8*70MM)	5
②		Washer	5
③		Spring Washer	5
④		Allen Wrench	1
⑤		Screw (M4*50mm)	2

Assembly Preparation

Before Beginning Assembly:



①  x5 ②  x5 ③  x5 ④ 

⑤  x2



- Read instructions, cover to cover-



- Have 2 adults on hand for assembly-



- Do not assemble on flooring or carpet-



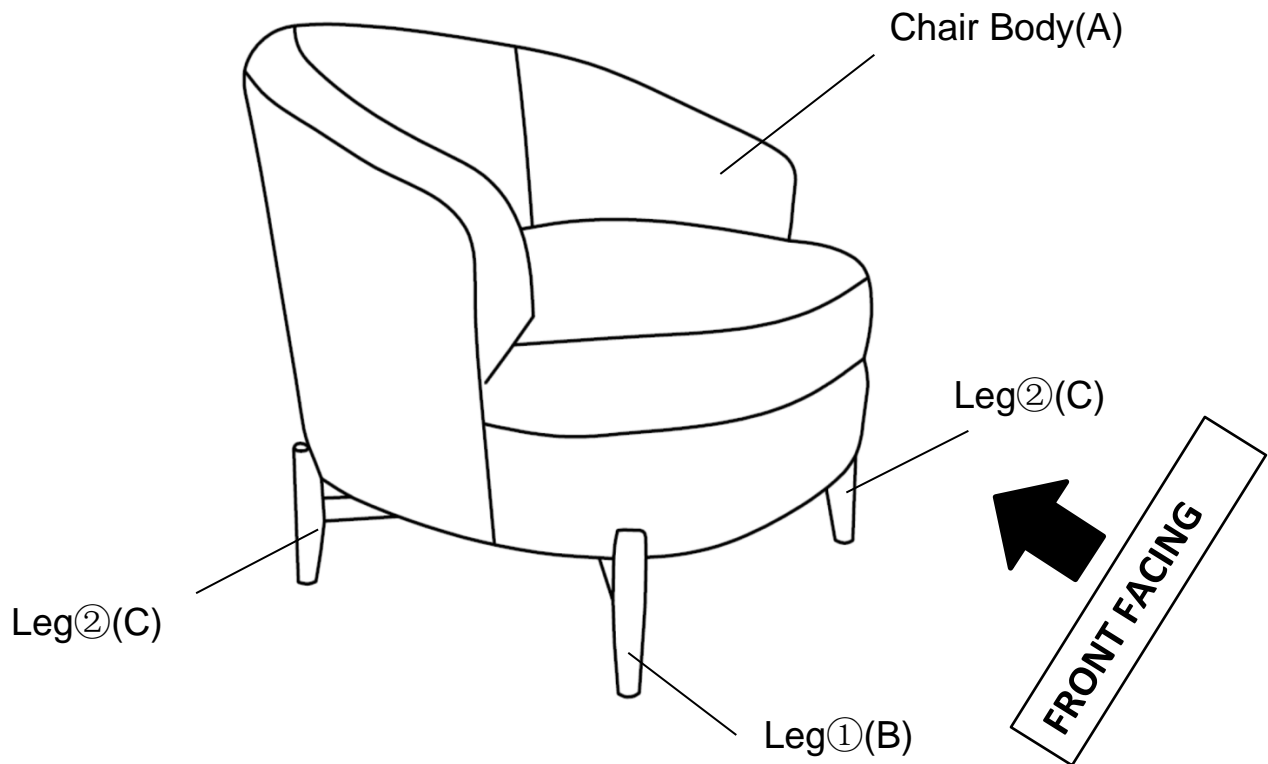
- Assemble on a clean non-marring surface (packing foam)-



- Save all packaging until finished-

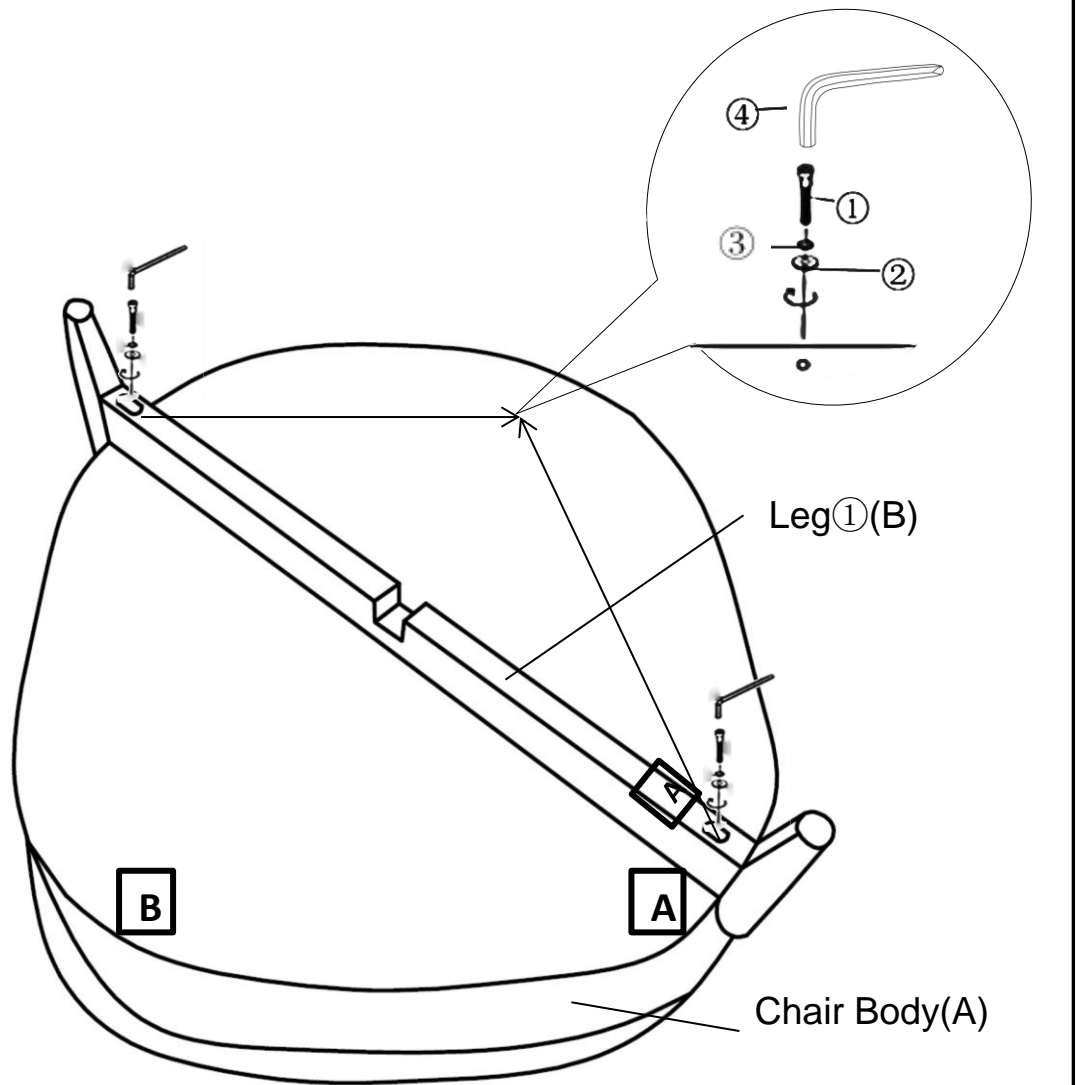
Assembly Steps

Overview



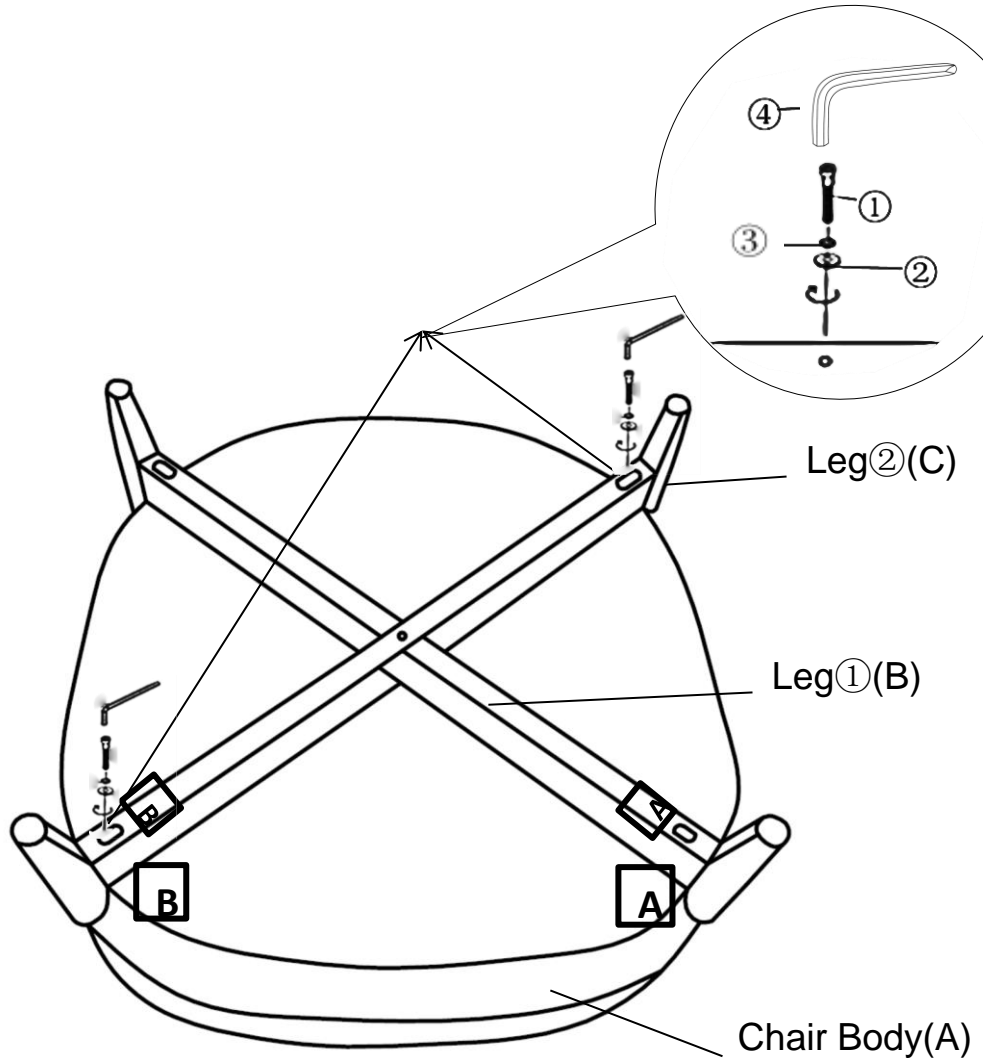
This Chair has multiple parts and may require up to 30 minutes to assemble. To give you an overview of the Chair parts, the above picture is to help you put the various parts into perspective. Please read through the instructions below to familiarise yourself with the parts and steps before assembly.

Step 1



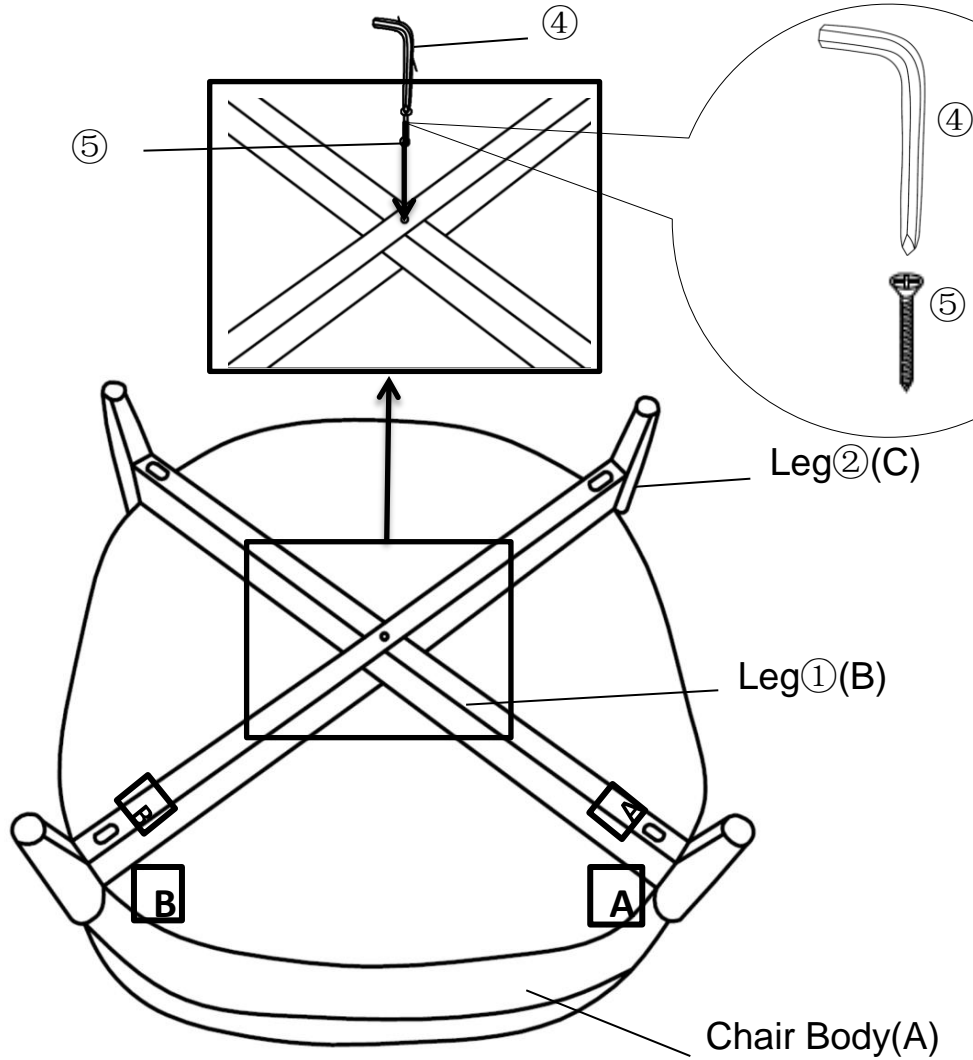
Place the Chair Body (A) on a clean and flat surface. Install the Leg ① (Labeled "A") (B) using Bolts(①), Washers(②), Spring Washers(③) and the Allen Wrench (④) on the bottom of the Chair Body (A) as pictured above.

Step 2



Install the Leg 2 (Labeled "B") (C) using Bolts (1), Washers (2), Spring Washers (3) and the Allen Wrench (4) on the bottom of the Chair Body (A) as pictured above.

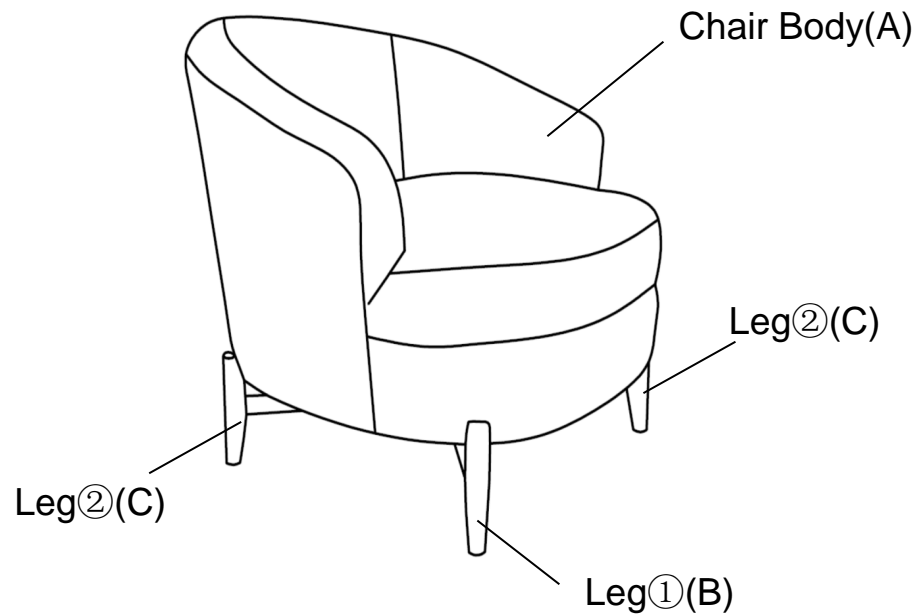
Step3



Attach the Leg² (Labeled "B") (C) to the bottom of the Leg¹ (Labeled "A") (B) using a Screw (5) and the Allen wrench(4) as pictured above.

Tighten all Bolts in a sequential manner until fully secured.

Step4



Turn the Chair upright, Your Chair is ready for use.
This Chair can only be used on a flat, level surface.

Care & Maintenance



- Furniture may scratch floors. We recommend using furniture pads to protect your floors.



- Do not put hot items directly on furniture surface.



- Do not clean furniture with harsh cleansers or polish.



- Do not place furniture under direct sunlight.



- Do not place furniture near heating or cooling vents.



- Do not write on furniture without a padded barrier to protect the surface.



- Do not place furniture outside . For indoor use only.



- Not for commercial use. For residential use only.



- Stains may be removed with mild soap solution and damp cloth.



- Children should not climb or jump on the furniture.



- Dust and pick-up spills using a clean, non-colored, lint-free cloth.