
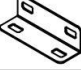

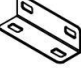

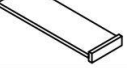

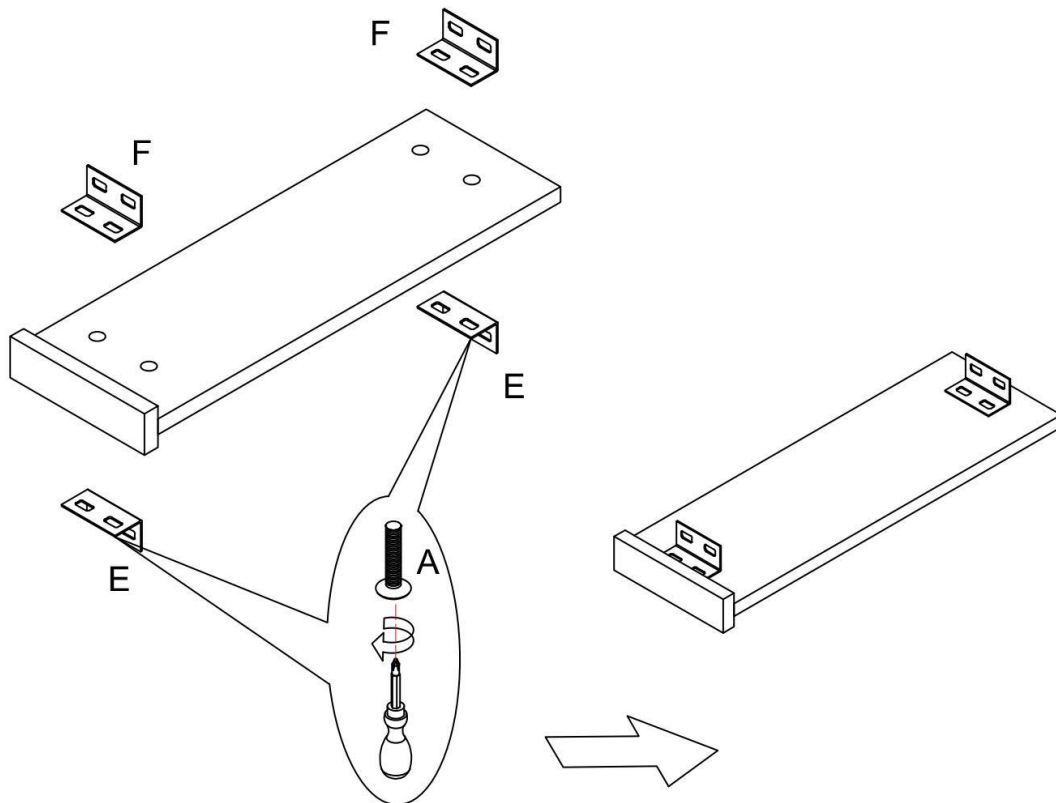


Installation

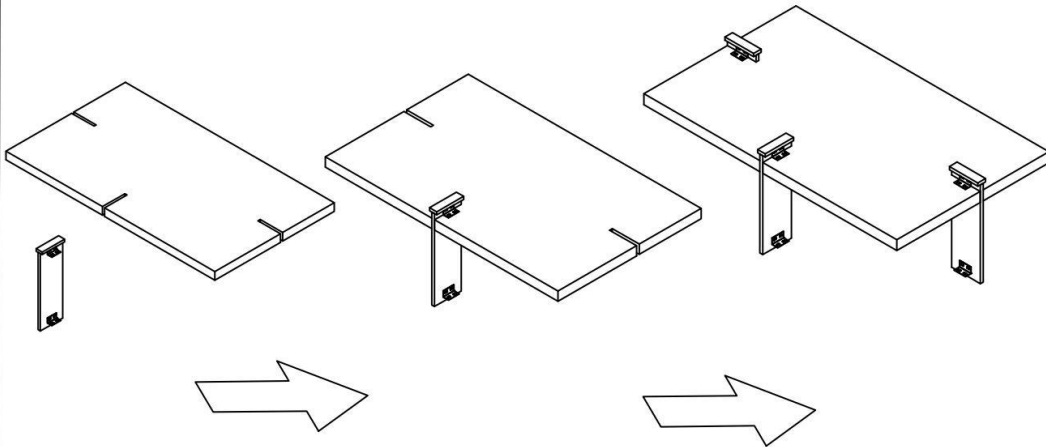
Hardware List				Hardware List		
A		Ø8*16	12	E		6
B		Ø6*25	24	F		6
C			24	G		3
D			2			

1 Screw A is screwed in the direction without internal thread

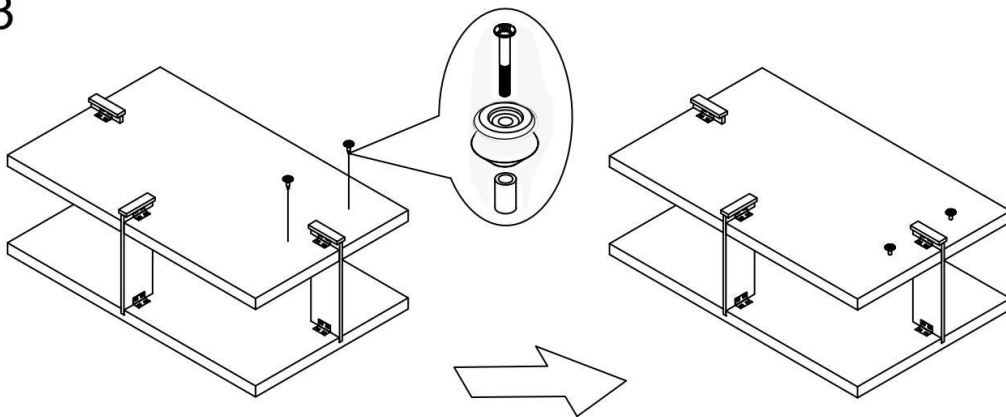


2

install the bottom plate fist.

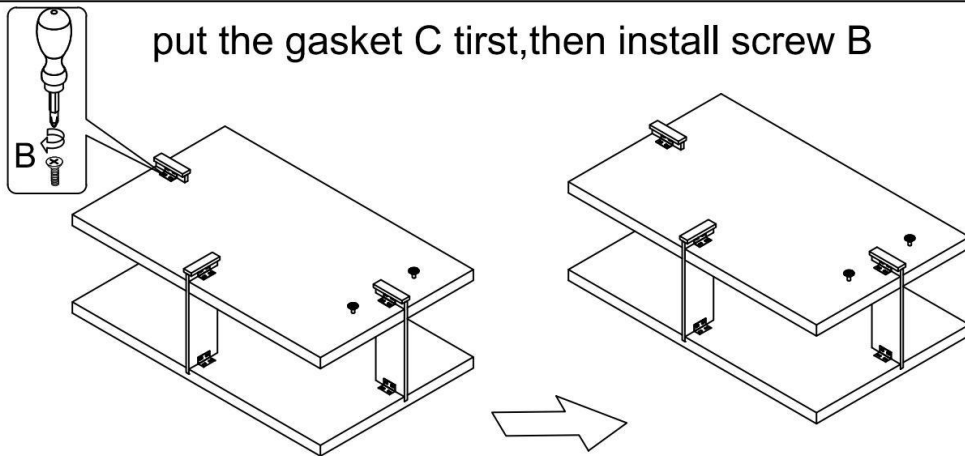


3



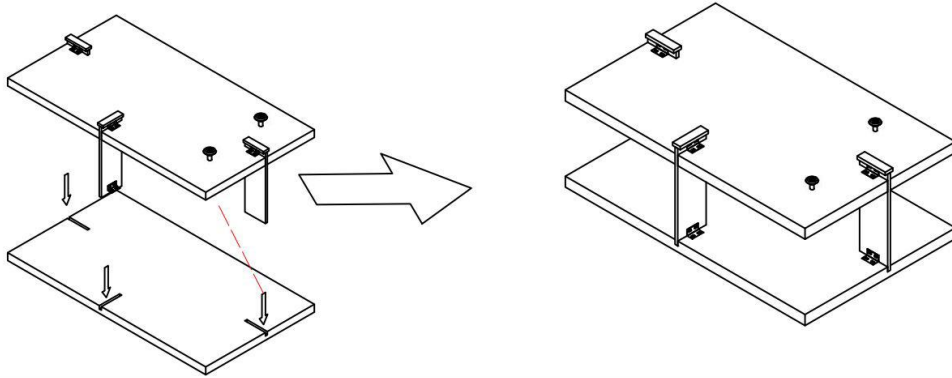
4

put the gasket C first, then install screw B



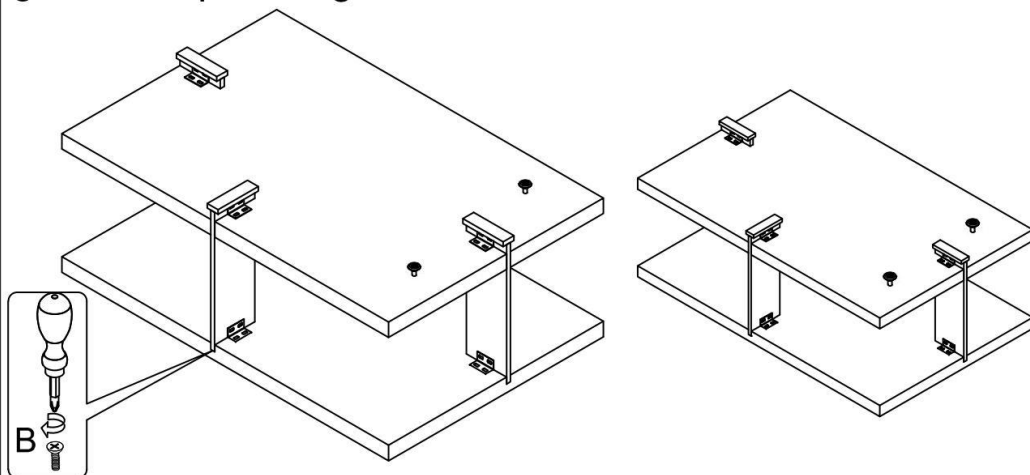
5

It might take two people to lift it



6

put the gasket C first, then install screw B



7

