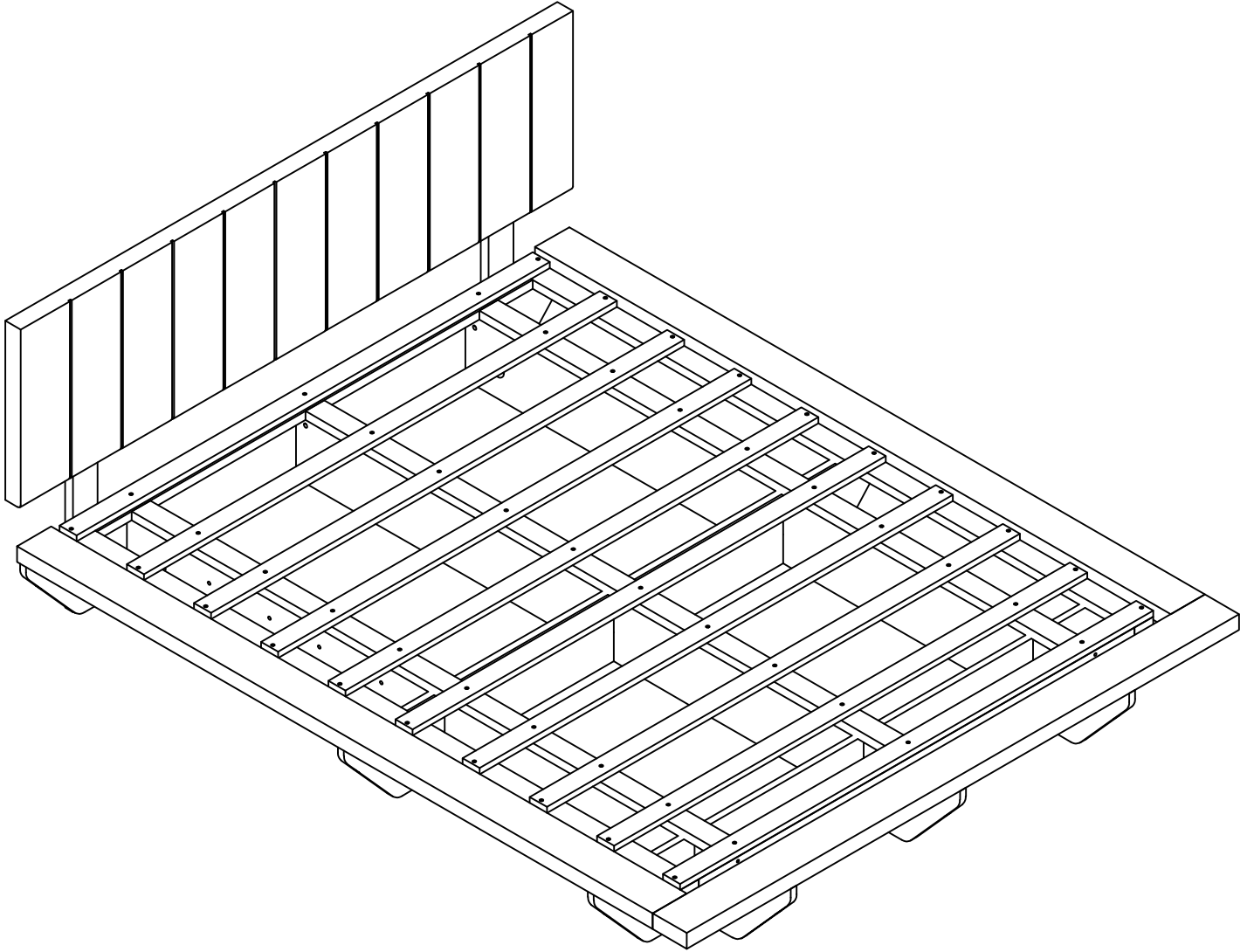


ASSEMBLY INSTRUCTION



SAFETY WARNINGS AND GENERAL NOTES:

Do not use substitute parts. Contact the manufacturer or dealer for replacement

Keep these instructions for future reference.

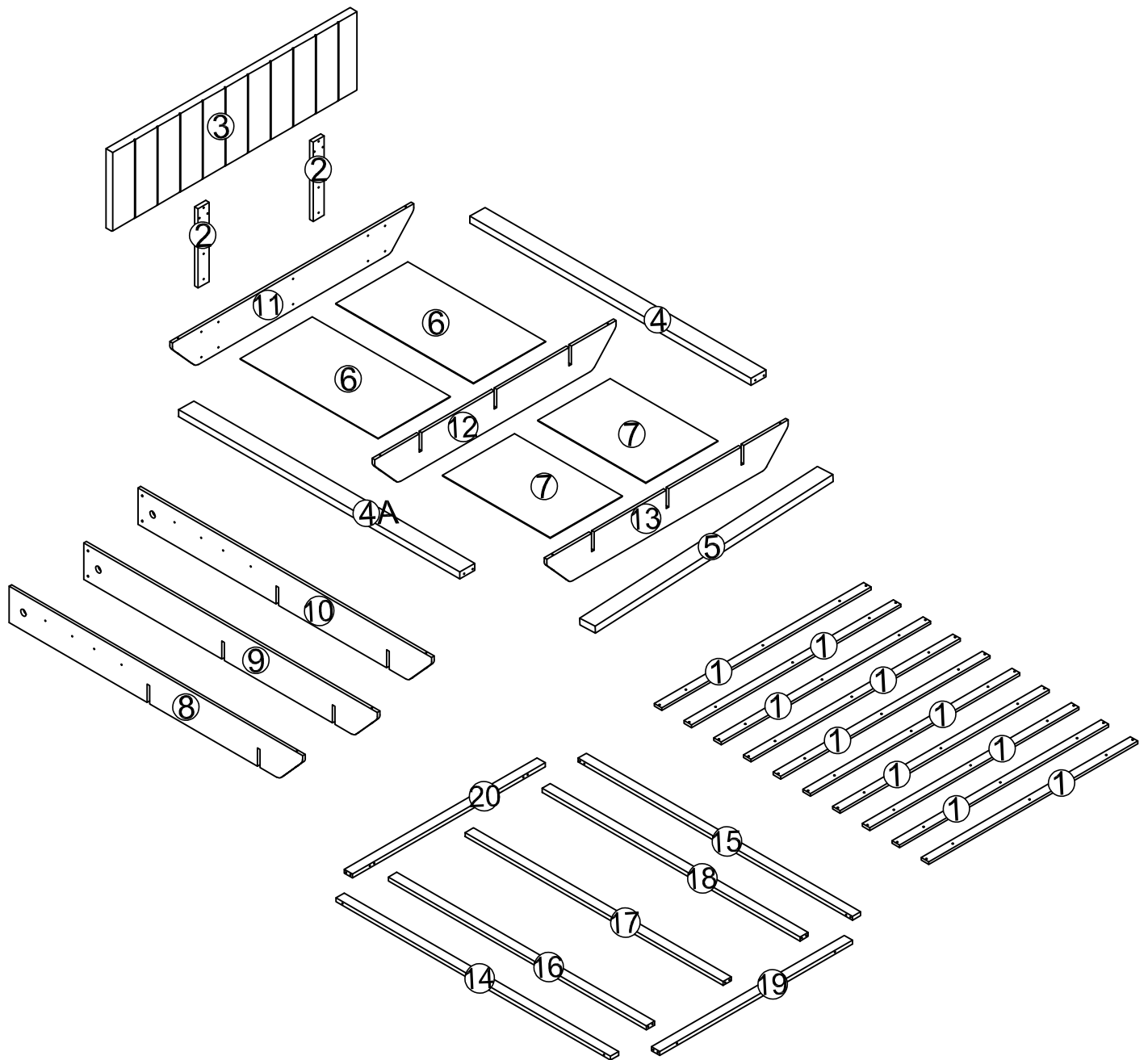
We recommend assembling your bed on the shipping carton to protect your floor

Be certain all staples are out of the box before beginning assembly on the shipping

5.Replacement Parts:

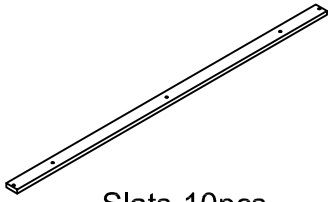
Replacement Parts, including additional guardrails, may be obtained from any of our dealers

ASSEMBLY INSTRUCTION



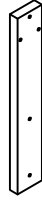
Part List

1



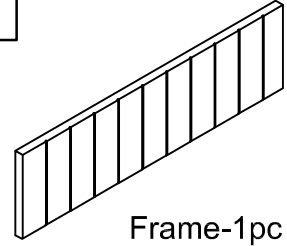
Slats-10pcs

2



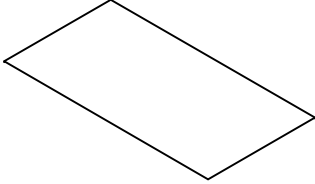
Legs-2pcs

3



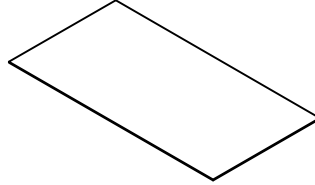
Frame-1pc

7



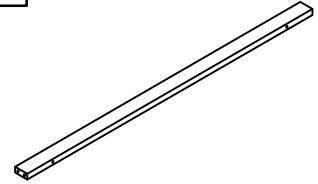
Panes-2pcs

6



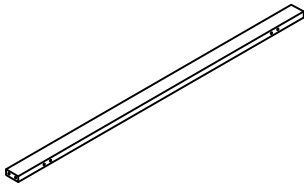
Panes-2pcs

19



Wood Bar-1pc

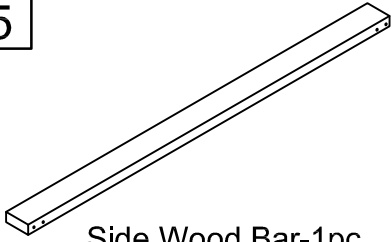
20



Wood Bar-1pc

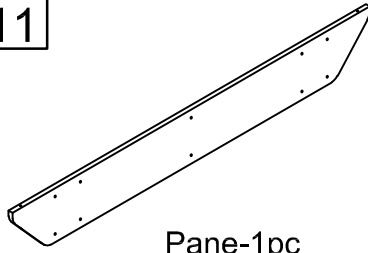
Part List

5



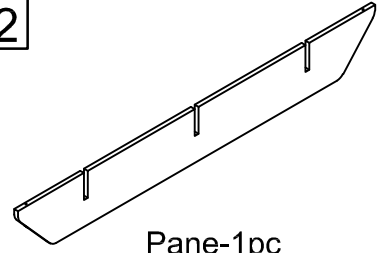
Side Wood Bar-1pc

11



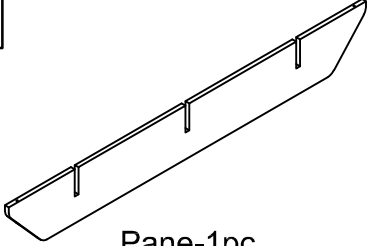
Pane-1pc

12



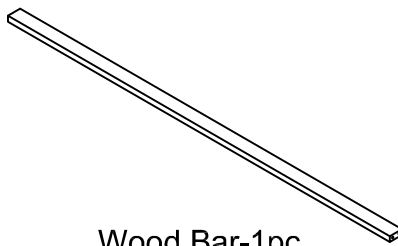
Pane-1pc

13



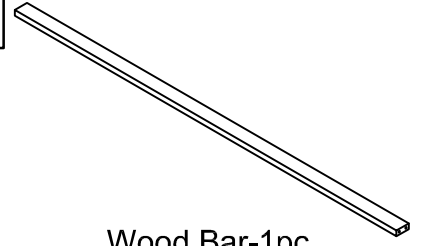
Pane-1pc

16



Wood Bar-1pc

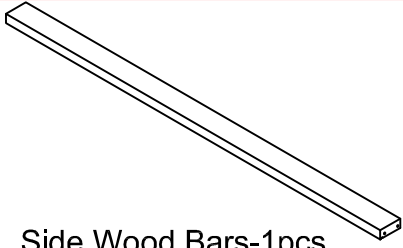
18



Wood Bar-1pc

Part List

4



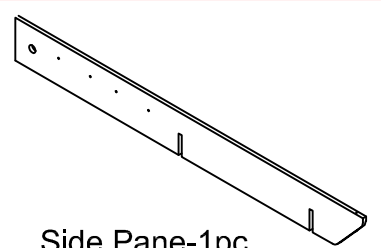
Side Wood Bars-1pcs

4A



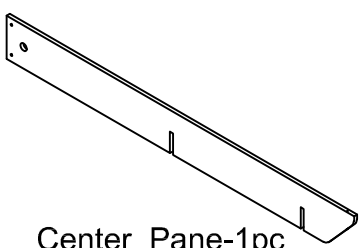
Side Wood Bars-1pcs

8



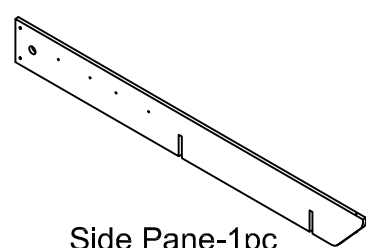
Side Pane-1pc

9



Center Pane-1pc

10



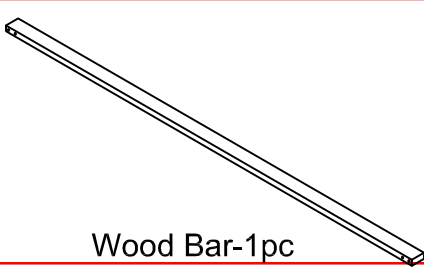
Side Pane-1pc

14



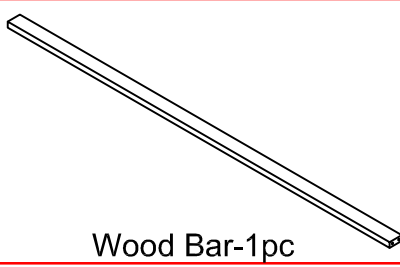
Wood Bar-1pc

15



Wood Bar-1pc

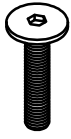
17



Wood Bar-1pc

Hardware List

A



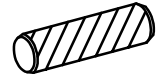
Ø1/4" x 100mm
Hex-Head bolts 10pcs

B



Ø1/4" x 13 mm
Horizontal-Hole bolts 16pcs

C



Ø8 x 30 mm
Wood dowel 10pcs

D



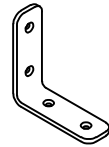
M4 x 30 mm
Wood Screws 50pcs

E



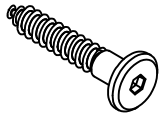
Ø1/4" x 50mm
Hex-Head bolts 16pcs

F



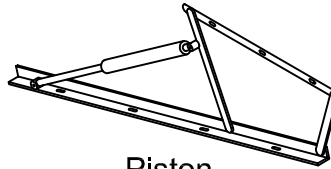
steel bracket 9pcs

G



1/4" x 20mm
Wood Screws 8pcs

H



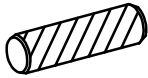
Piston
2pcs(Left+Right)

K



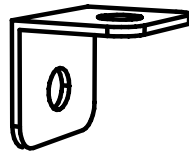
Allen Key 1pc

S



Ø10 x 40 mm
Wood dowel 13pcs

F



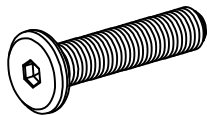
steel bracket 52pcs

W



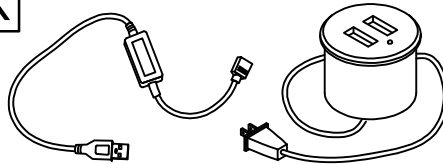
M4 x 15 mm
Wood Screws 88pcs

P

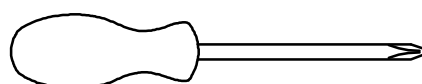


1/4" x 20mm
Hex-Head bolts 8pcs

X

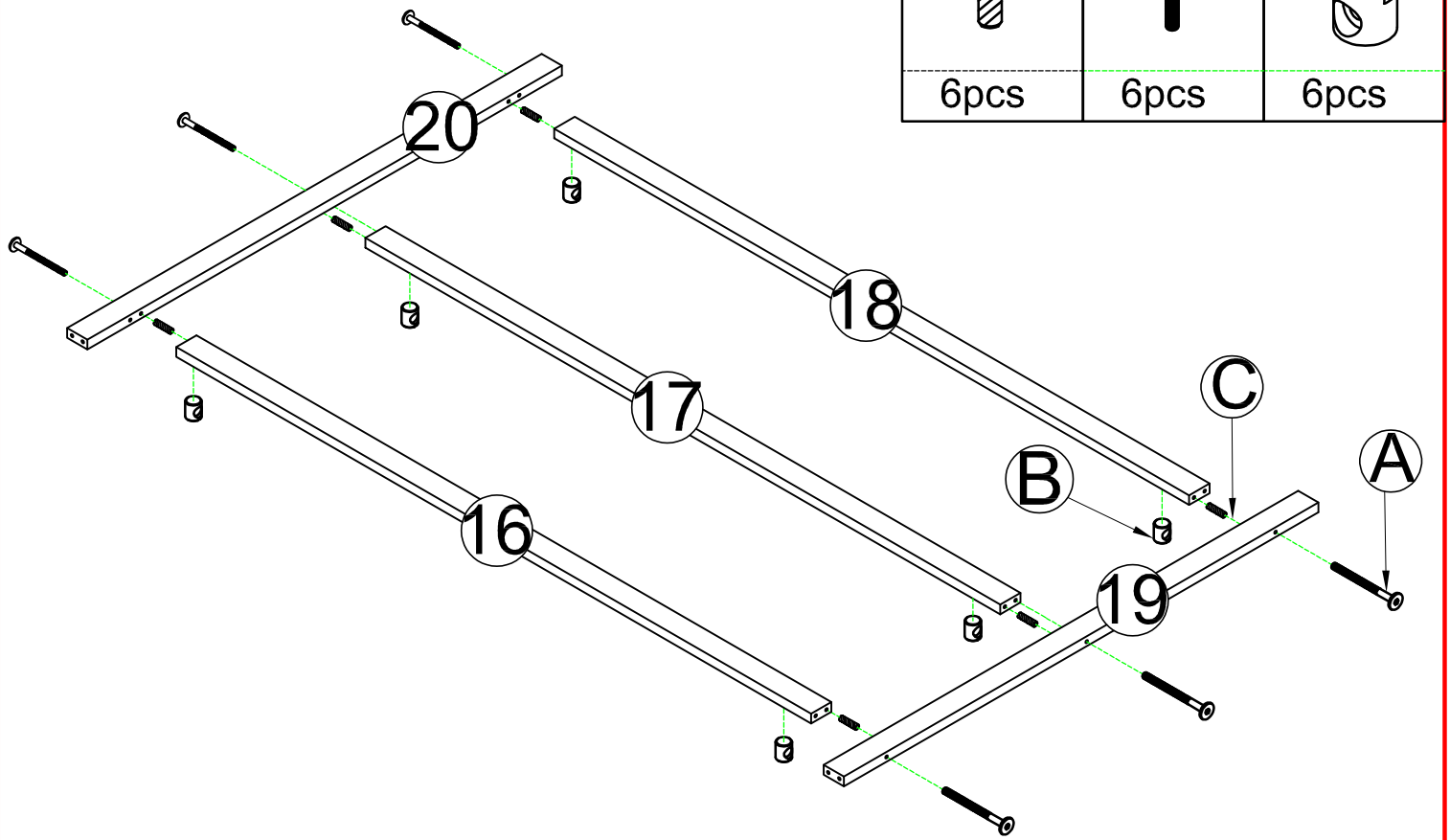


USB 1PC

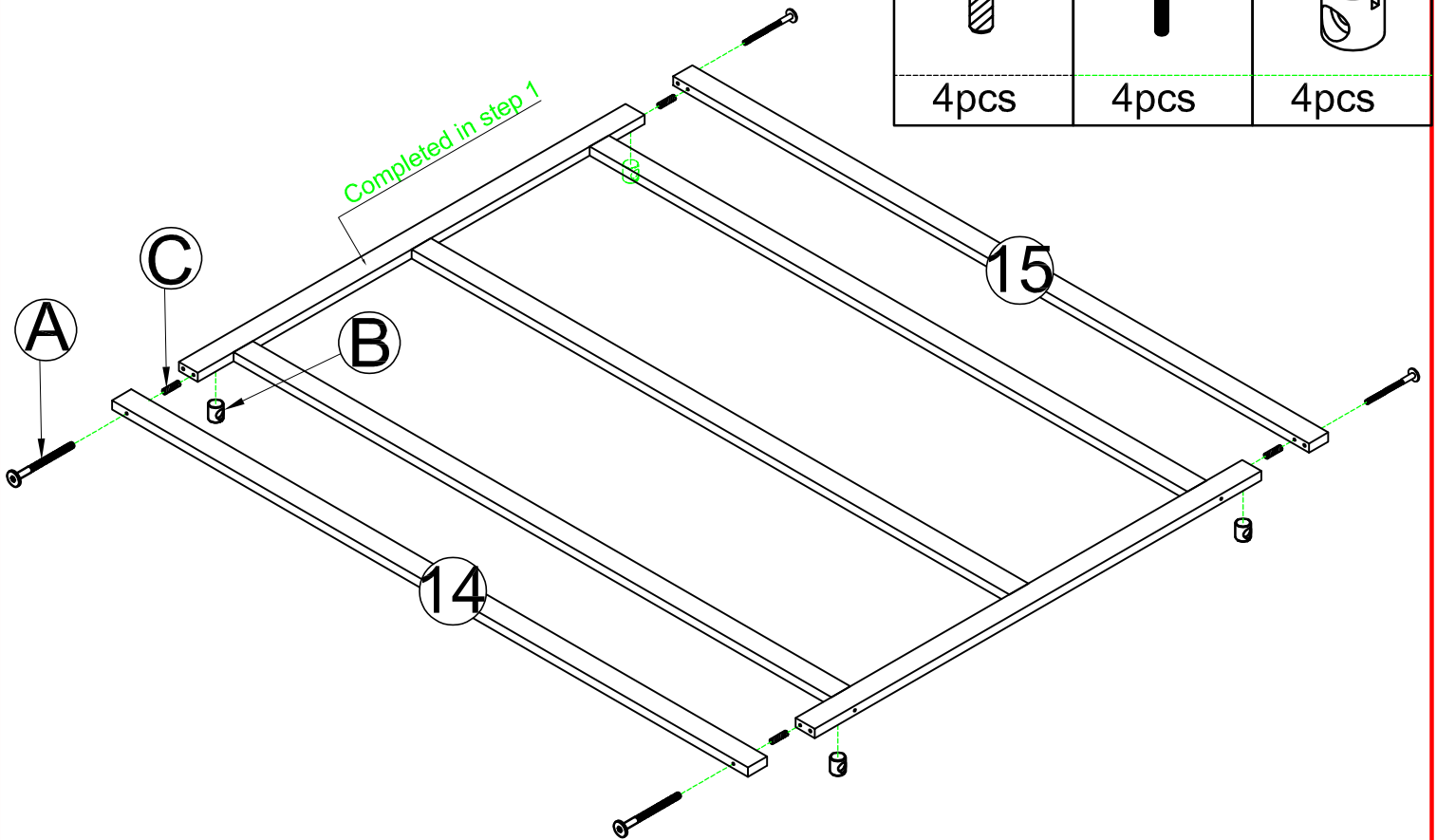


Assembly Tools Required (Not Included)

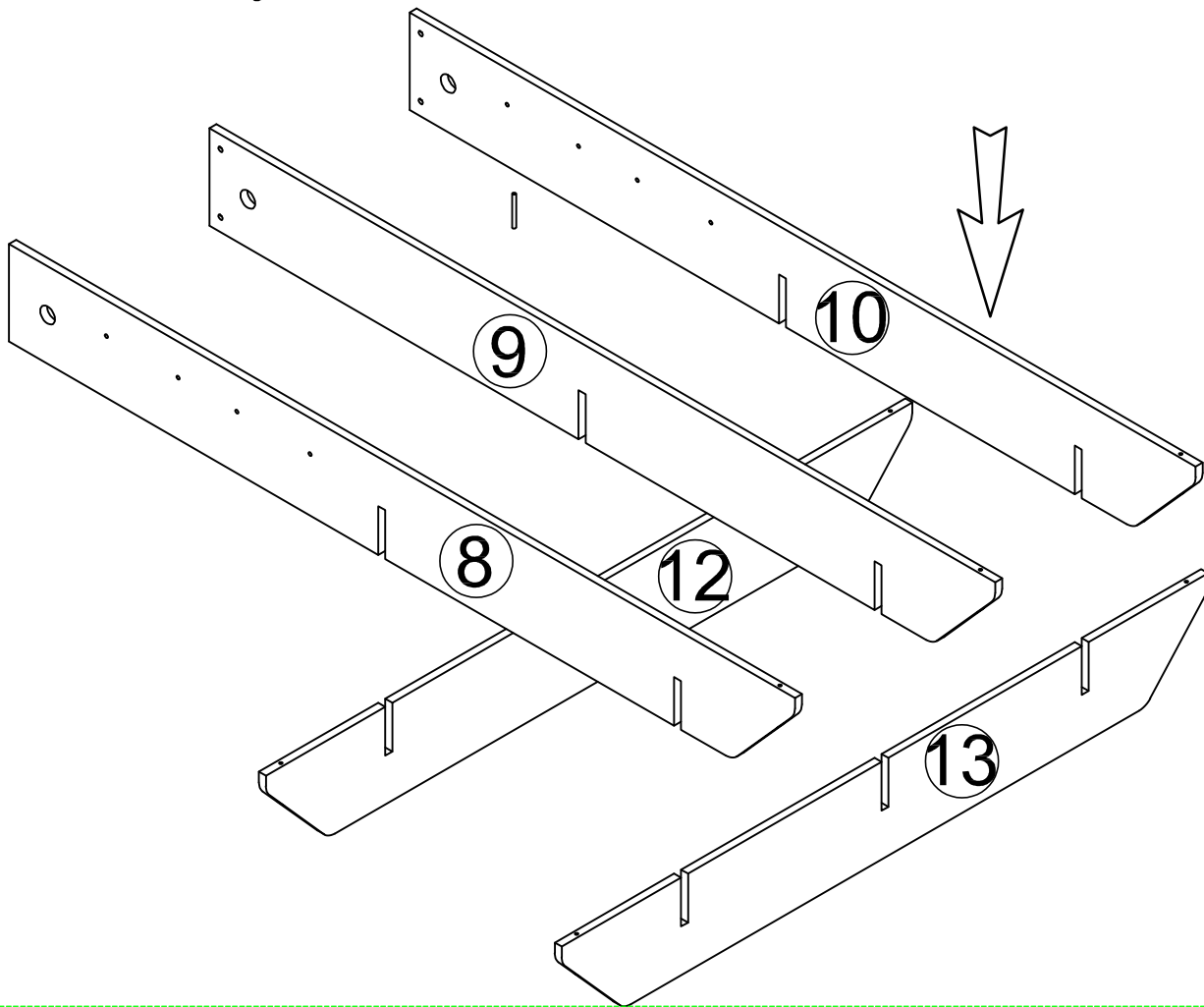
STEP 1: Following below illustration:



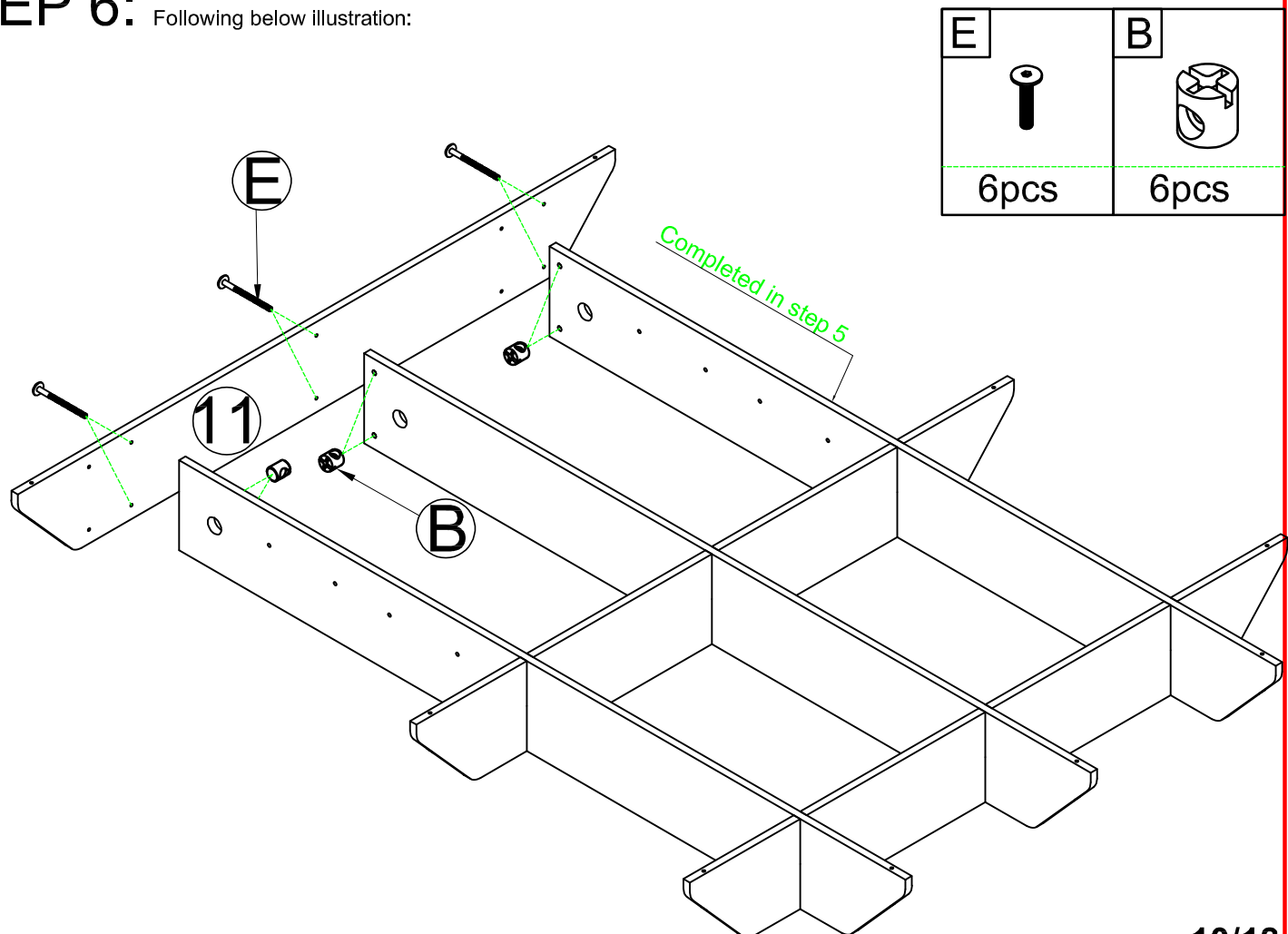
STEP 2: Following below illustration:




STEP 5: Following below illustration:

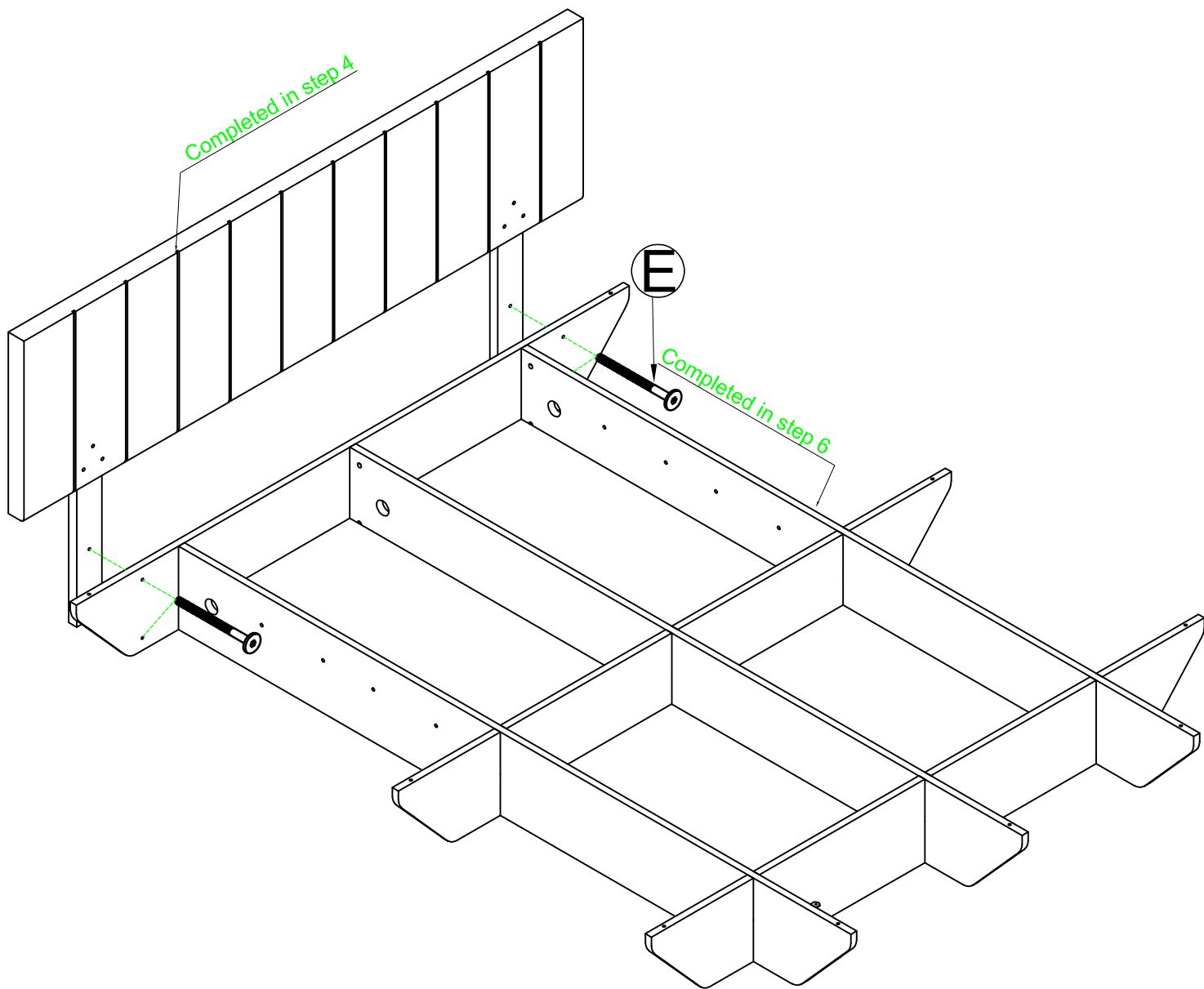


STEP 6: Following below illustration:


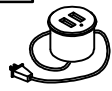


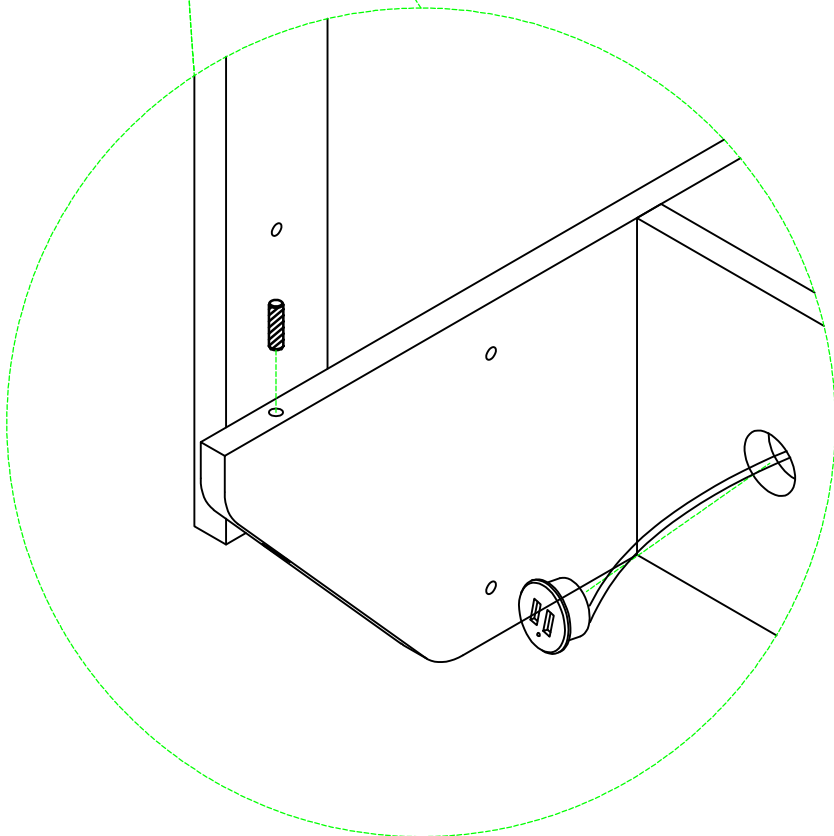
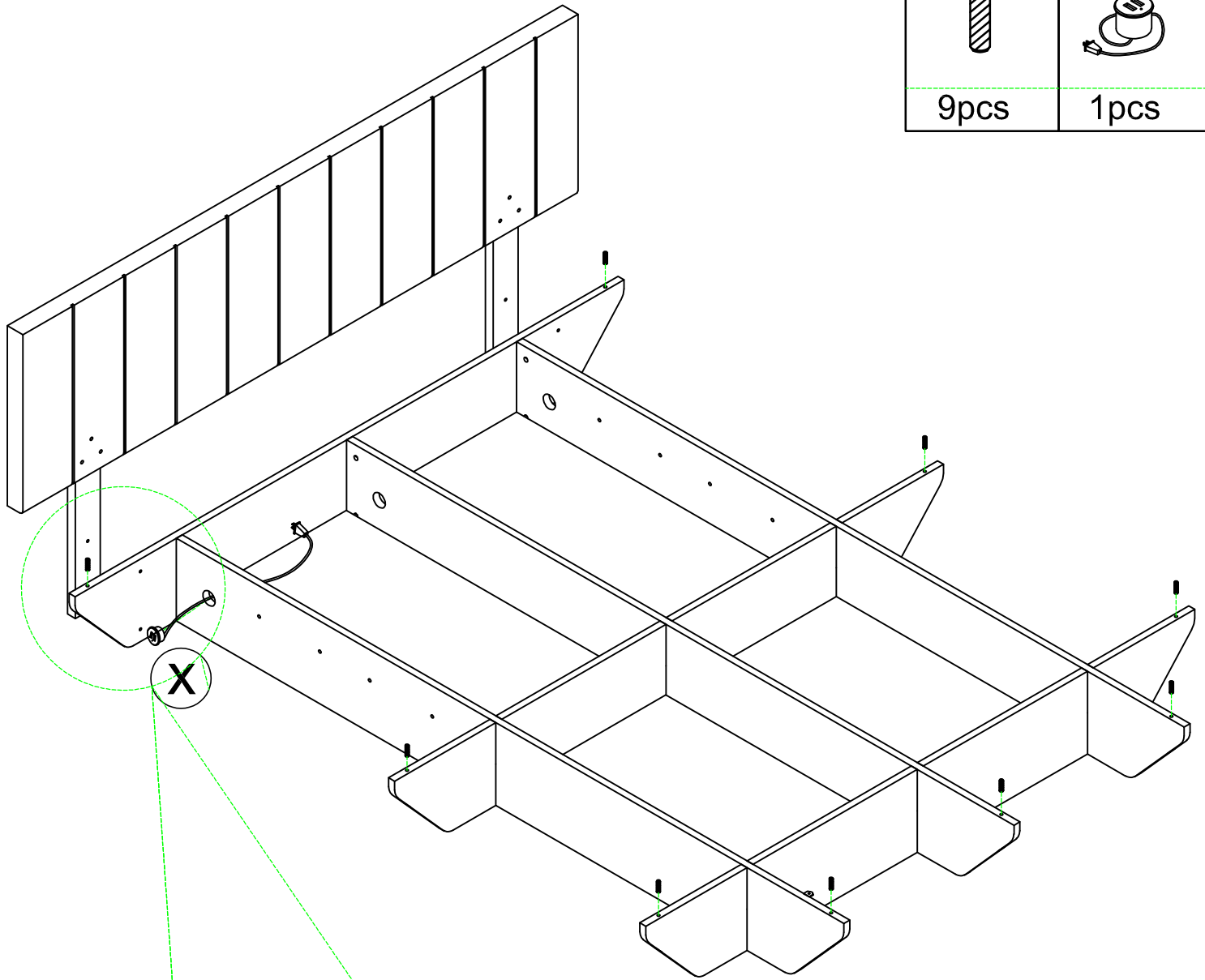
STEP 7: Following below illustration:

E

4pcs


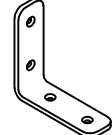



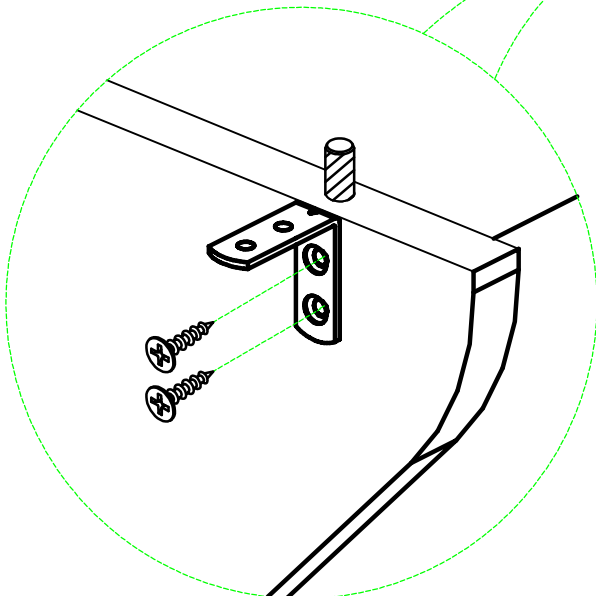
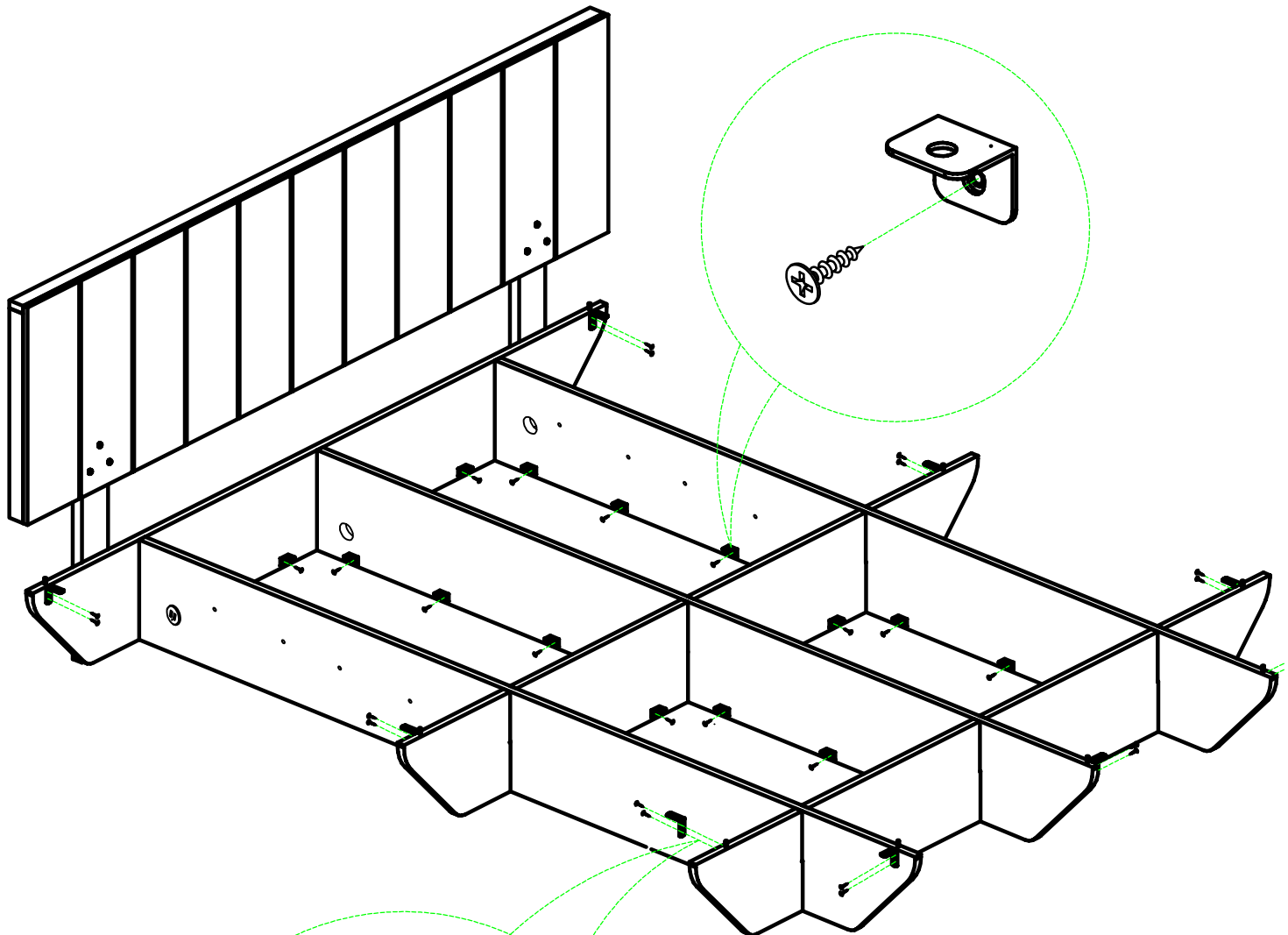
STEP 8: Following below illustration:

C		X	
	9pcs		1pcs

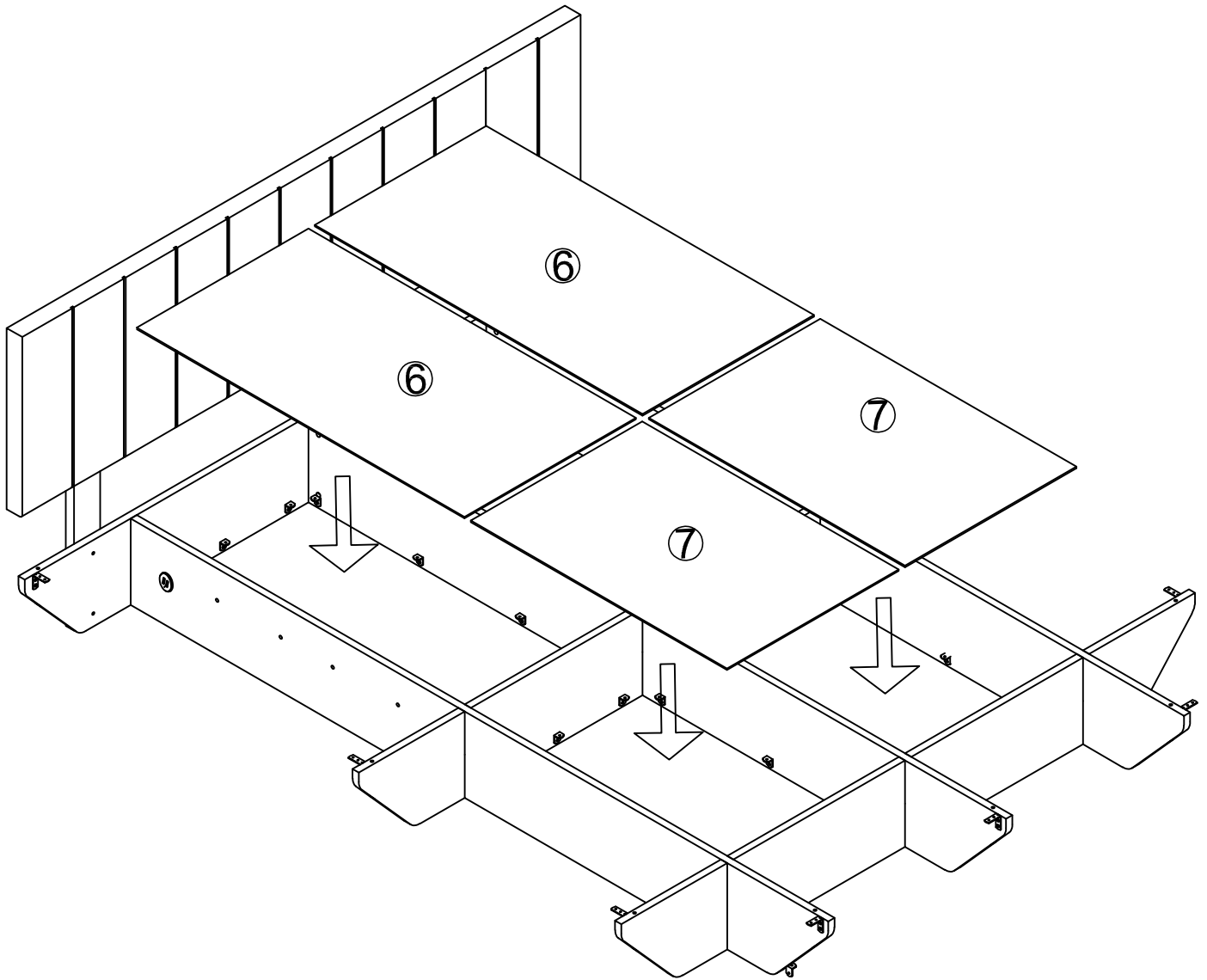


STEP 9: Following below illustration:

F		C		W	
52pcs		9pcs		70pcs	



STEP 10: Following below illustration:

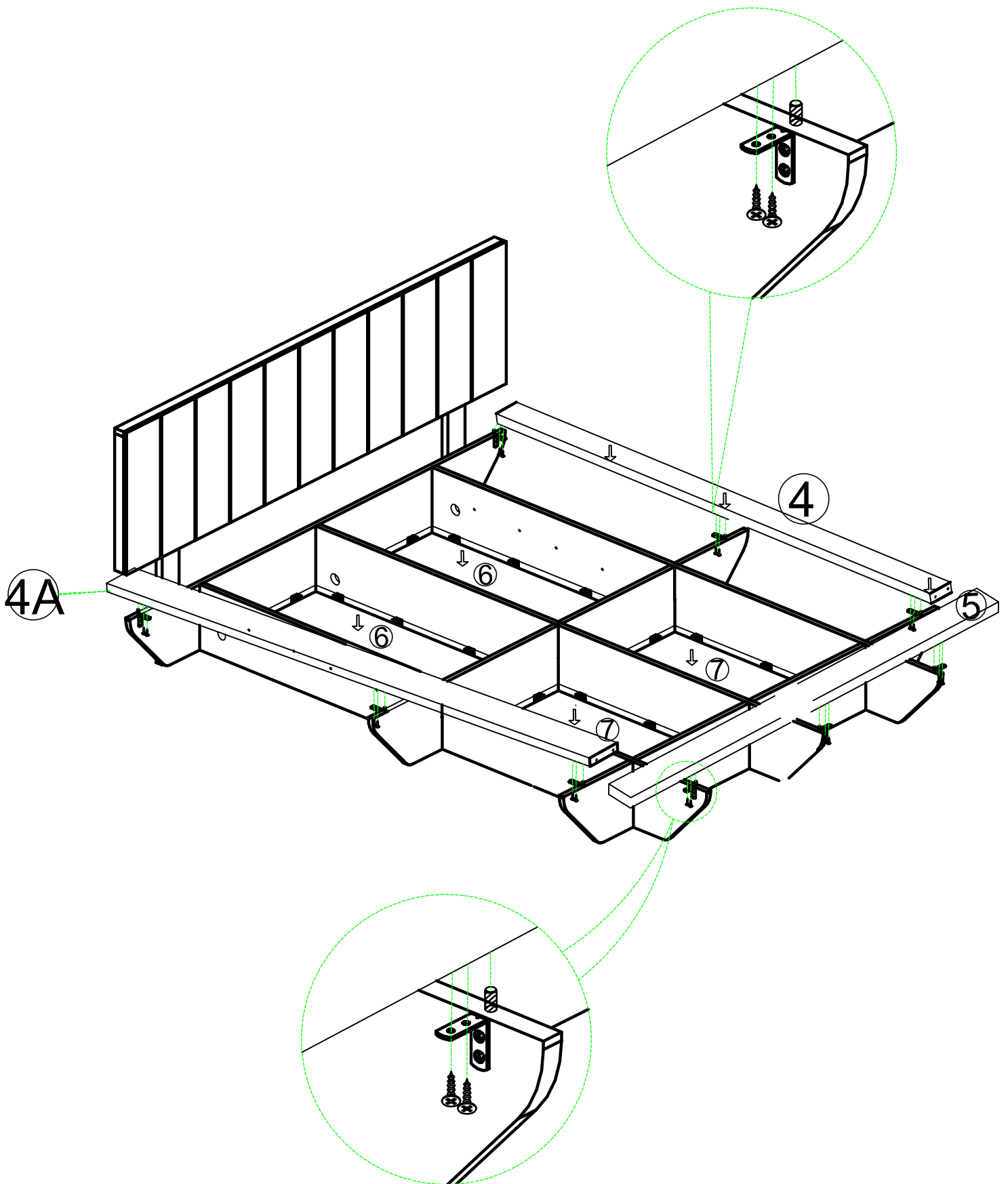


STEP 12: Following below illustration:

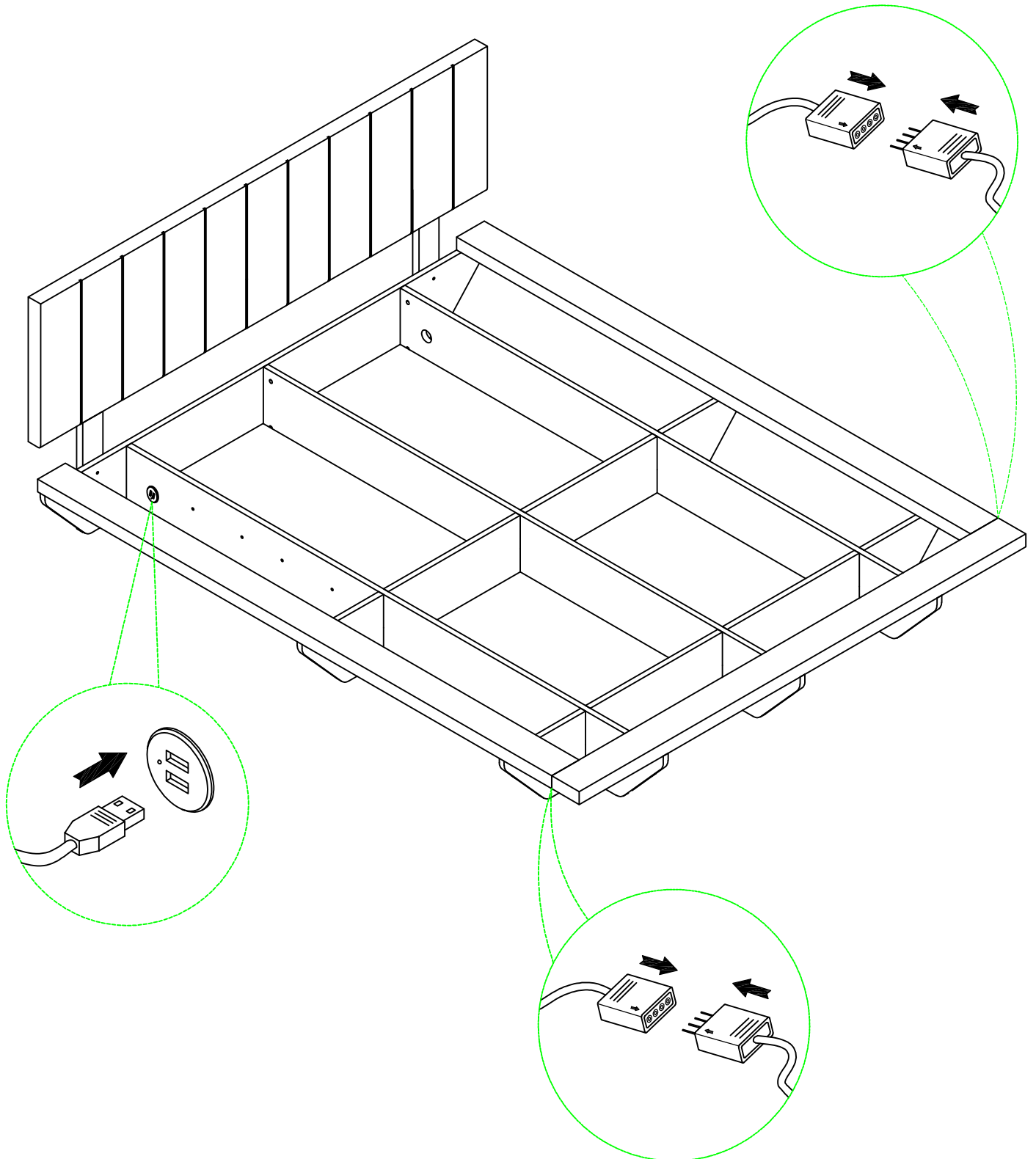
W




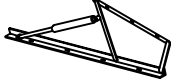

18pcs

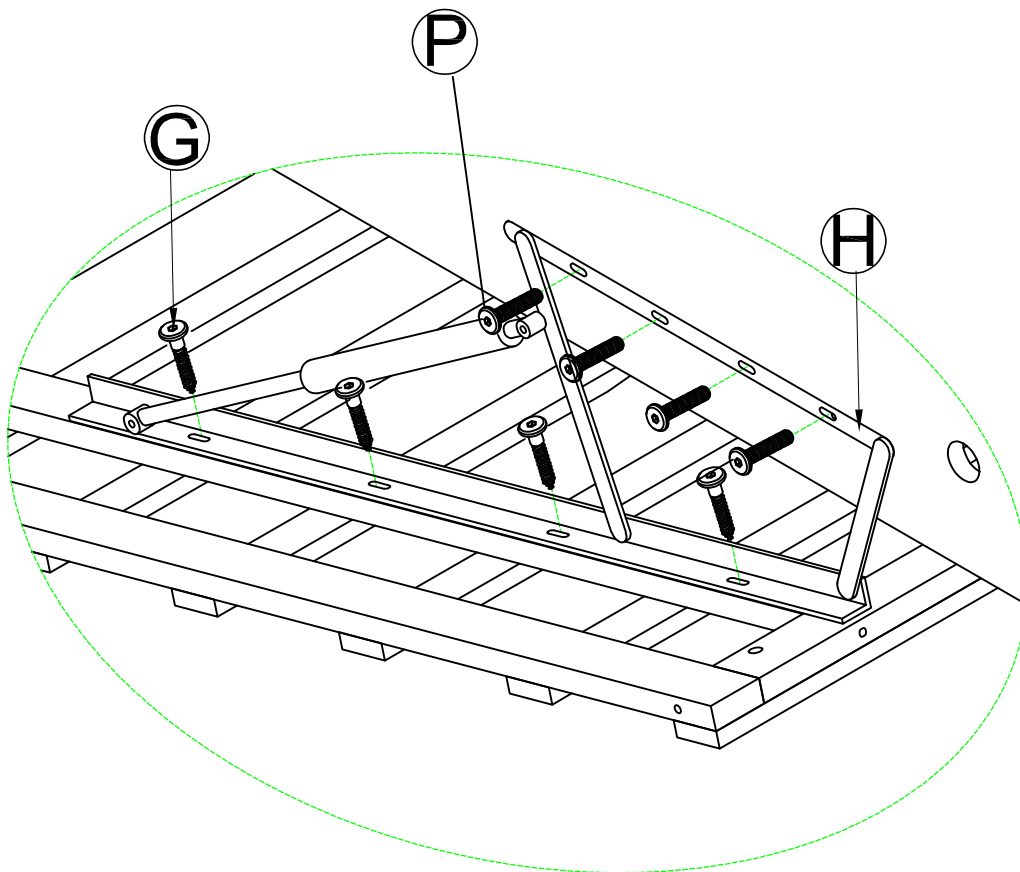
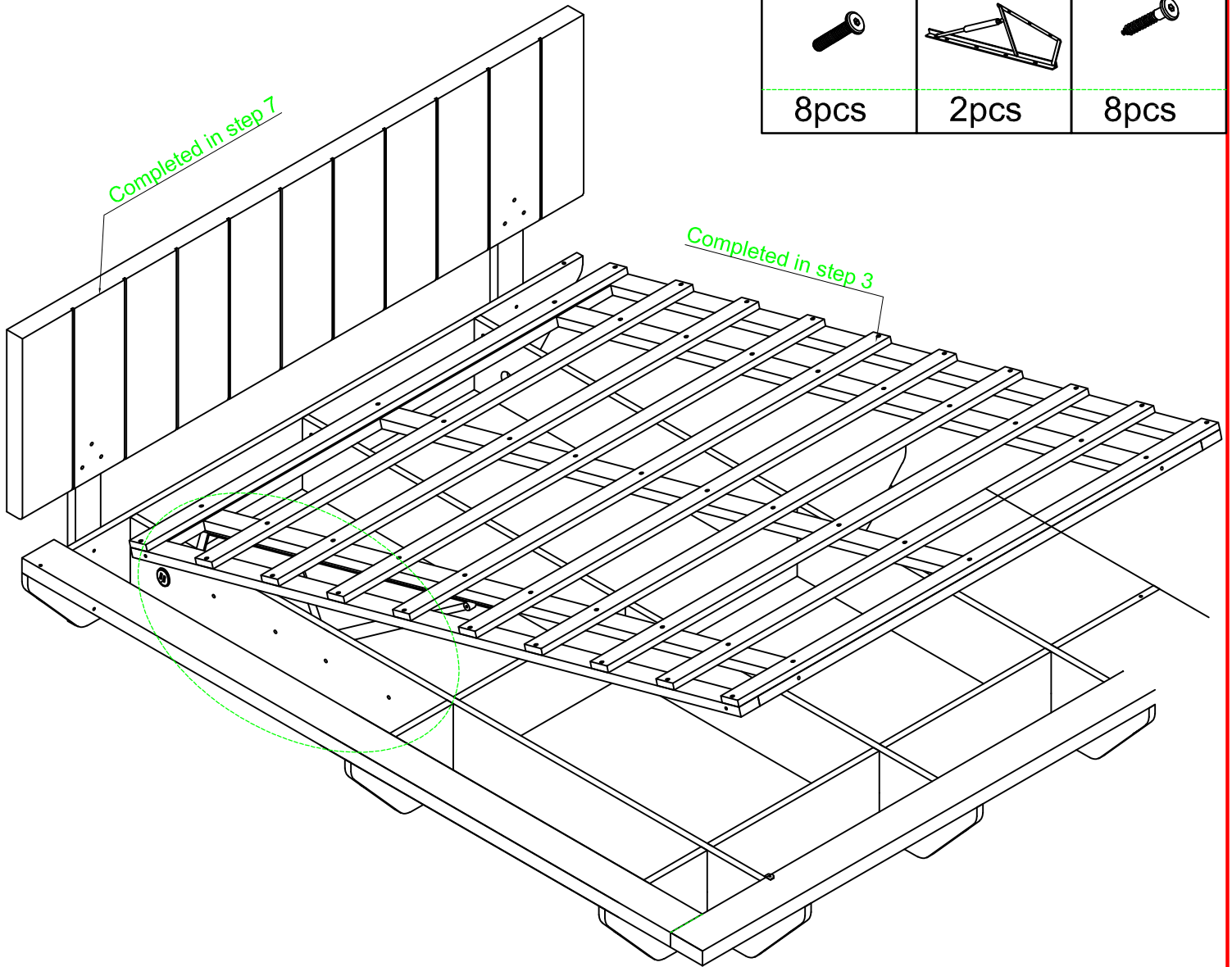


STEP 13: Following below illustration:



STEP 14: Following below illustration:

P  8pcs	H  2pcs	G  8pcs
---	---	---



CONGRATULATION. YOU HAVE COMPLETED THE BED

