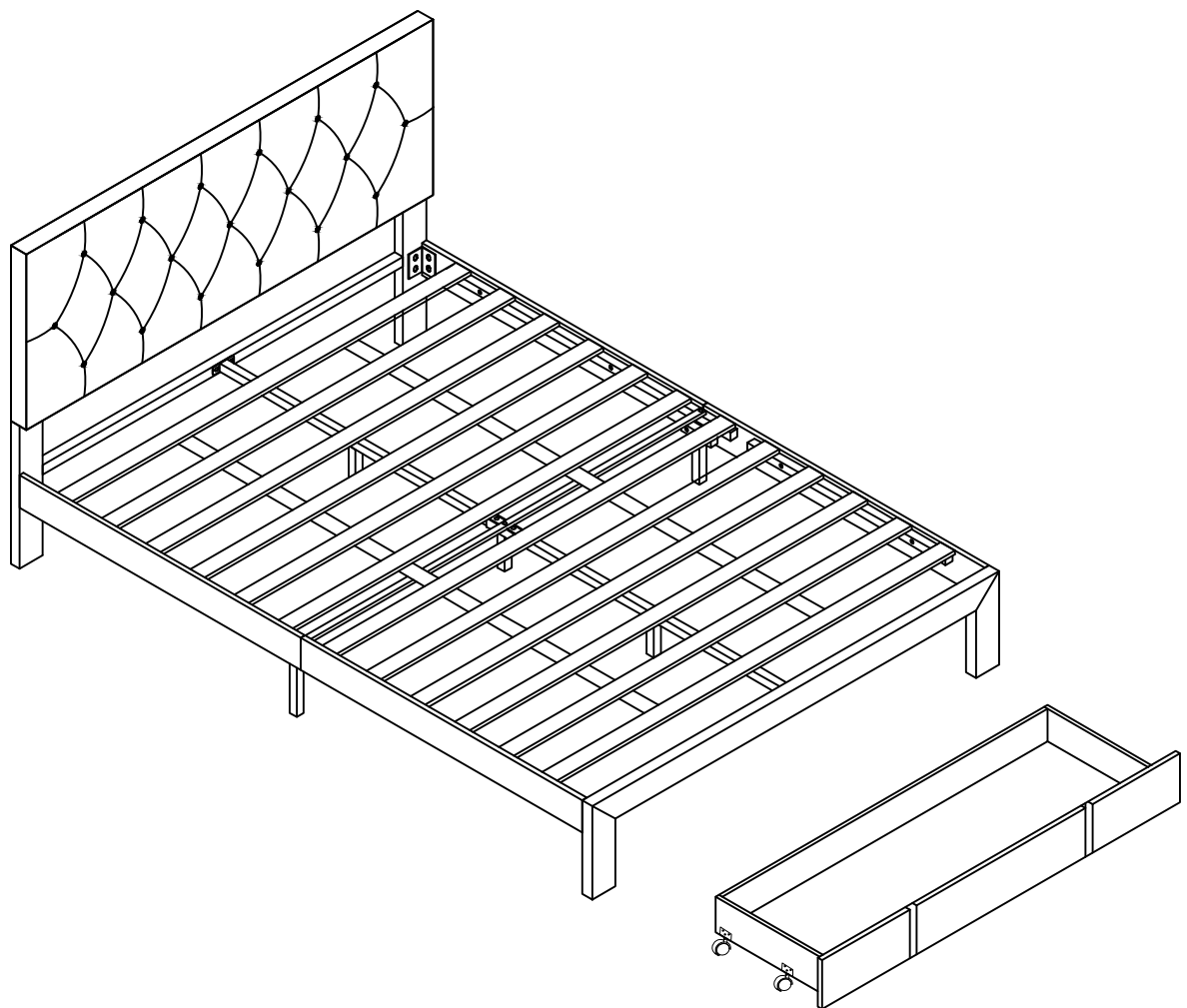
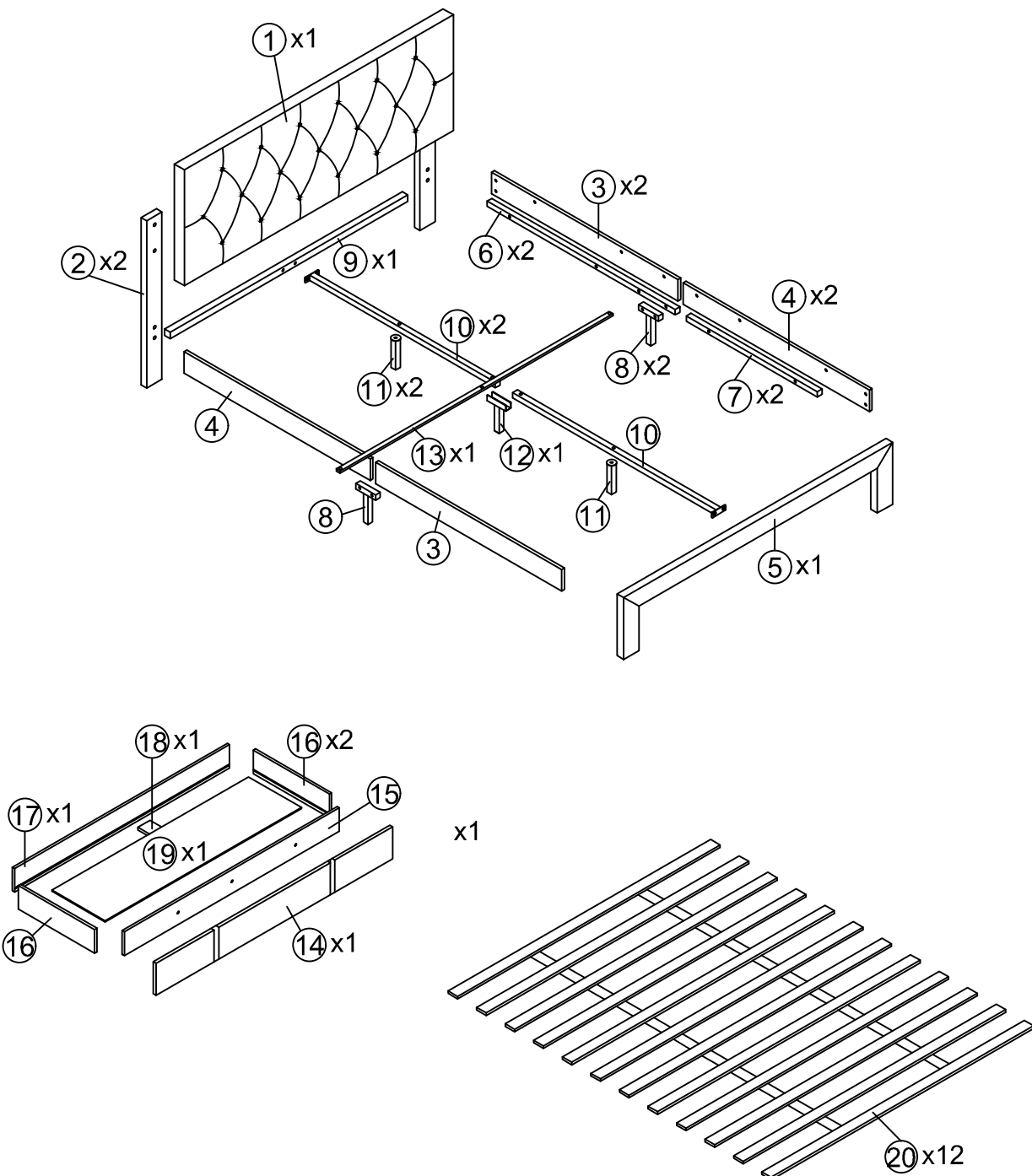


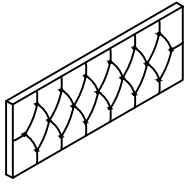
ASSEMBLY INSTRUCTION



Detail View



1



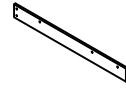
Head board -1pc

2



Head board legs -2pcs

3



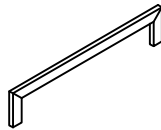
Siderails -2pcs

4



Siderails -2pcs

5



Foot board -1pc

6



Side rails support bar -2pcs

7



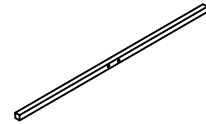
Side rails support bar -2pcs

8



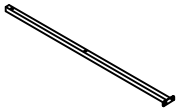
Side rails support legs -2pcs

9



Head board cross bar -1pc

10



Center support bar -2pcs

11



Middle support leg -2pcs

12



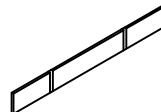
Connected support leg -1pc

13



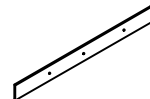
Cross bar -1pc

14



Drawer outer board -1pc

15



Drawer board -1pc

16



Drawer board -2pcs

17



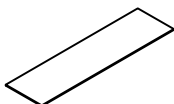
Drawer board -1pc

18



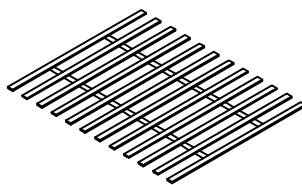
Drawer support bar -1pc

19








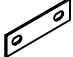


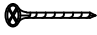




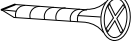


Drawer bottom board -1pc

20



Slats -12pcs

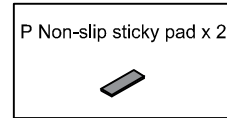
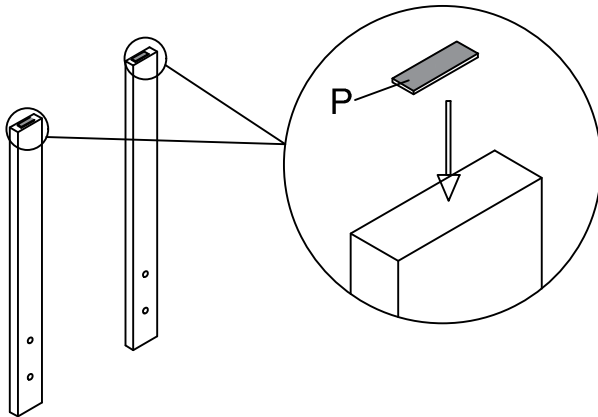
Hardware List

A 	B  $\phi 8 \times 50 \text{mm}$	C  $\phi 8 \times 16 \text{mm}$
Allen Key (2pcs)	Bolts (4pcs)	Bolts (24pcs)
D  $\phi 8 \times 40 \text{mm}$	E 	F 
Bolts (23pcs)	Washer (8pcs)	Two hole iron (2pcs)
G 	H 	I  $\phi 4 \times 30 \text{mm}$
"7" Connector (4pcs)	Nuts (4pcs)	Nails (4pcs)
J  $\phi 8 \times 30 \text{mm}$	K 	L 
Bolts (3pcs)	Spanner (1pc)	Drawer fittings (12pcs)
M 	N  $\phi 3 \times 16 \text{mm}$	O 
Drawer fittings (12pcs)	Nails (12pcs)	Drawer wheel (4pcs)
P 		
Non-slip sticky pad (2pcs)		

Attention: Do not tighten the screws before completing the entire installation. If you have any difficulty with the installation process, please feel free to contact us.

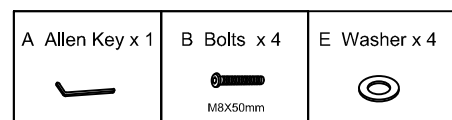
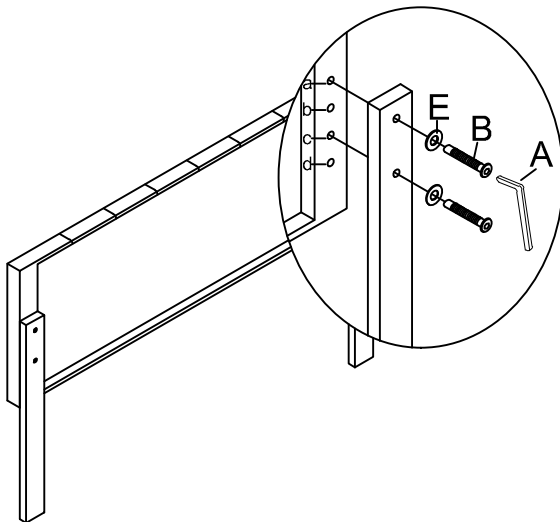
Step 1 x2

Stick the Non-slip sticky pad P to the Headboard legs ②.



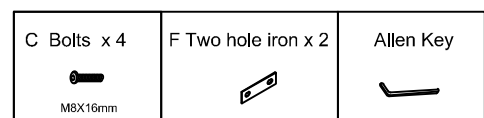
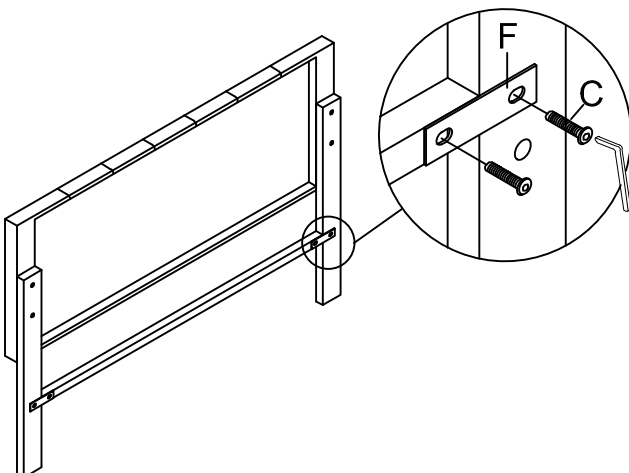
Step 2 x2

Fix the Headboard legs ② to the Headboard ① with Bolt B and washer E by using Allen key A. You can choose the hole a and c, or b and d.



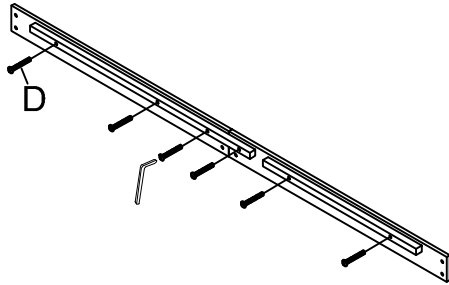
Step 3 x2



Fix the Headboard cross bar ⑨ to the Headboard legs ② with Bolt C and Two hole iron F by using Allen key A.



Step 4 x2

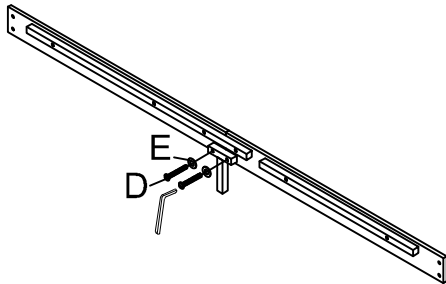
Connect Siderails ③ and ④ to Siderail support bar ⑥ and ⑦ with Bolts D by using Allen key A.






D Bolts x 12  M8X40mm	Allen Key 
--	--

Step 5 x2

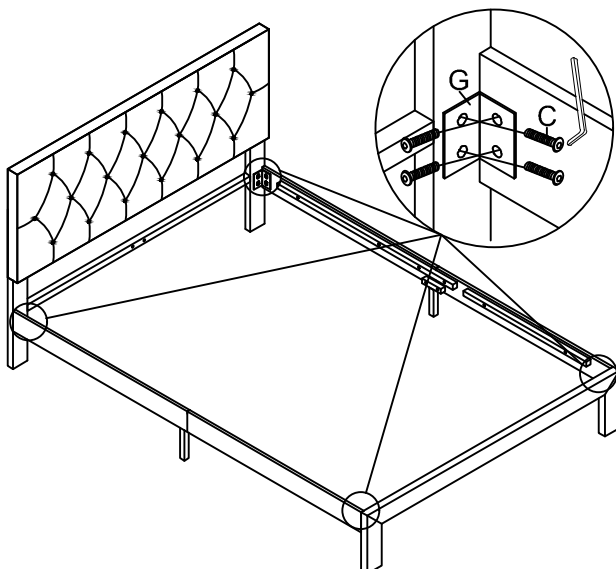
Fix the Siderail support leg ⑧ to the assembled siderail with Bolt D and Washer E by using Allen key A.



D Bolts x 4  M8X40mm	E Washer x 4 	Allen Key 
---	---	--

Step 6

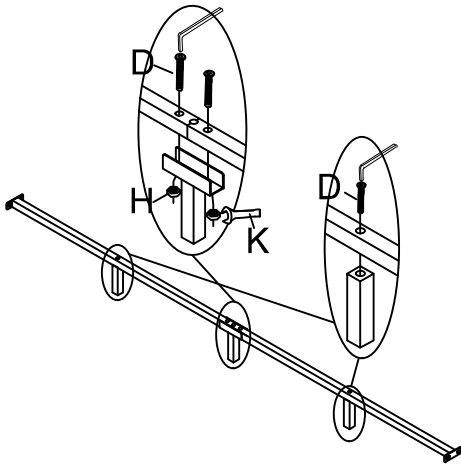
Fix the assembled siderail to the Headboard legs ② and footboard ⑤ with Bolt C and "7" Connector by using Allen key A.







C Bolts x 16  M8X16mm	G "7" Connector x 4 	Allen Key 
--	--	--

Step 7

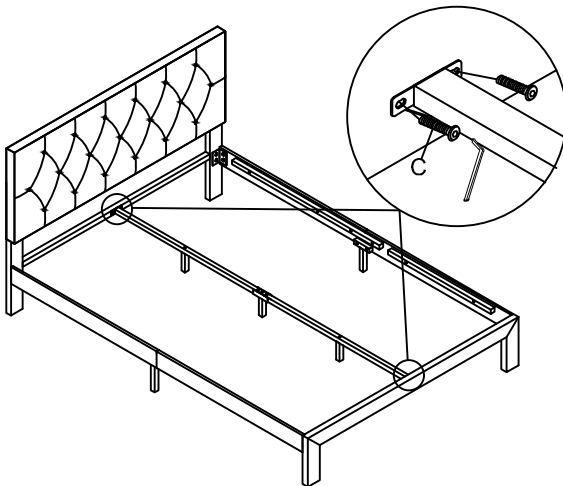
Fix the Middle support leg ⑪ to the Center support bar ⑩ with Bolt D by using Allen key A. Fix connected support leg ⑫ to the Center support bar with Bolt D and Nuts H by using Spanner K.





D Bolts x 4  M8X40mm	H Nuts x 2 	K Spanner x 1 	Allen Key 
--	---	--	--

Step 8

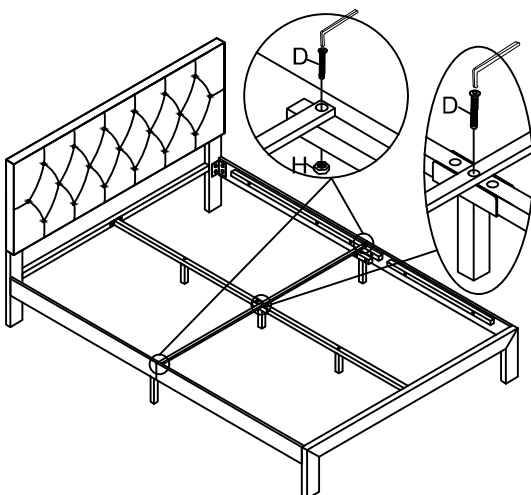
Fix the Center support bar to the Headboard cross bar ⑨ and Footboard ⑤ with Bolt C by using Allen key A.






C Bolts x 4  M8X16mm	Allen Key 
---	--

Step 9

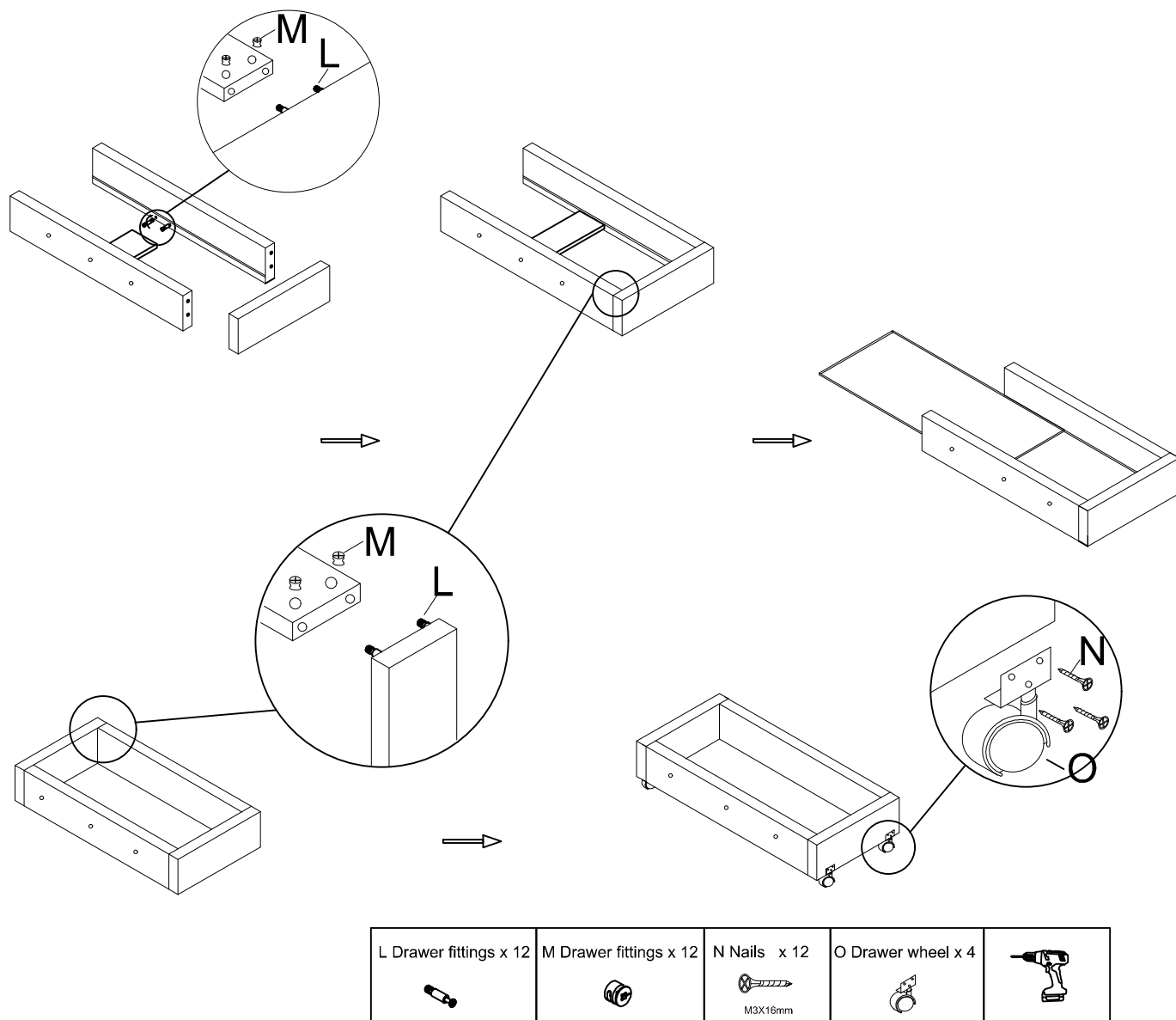
Fix the Cross bar ⑬ to the Siderails bar and Center support bar with Bolt D and Nuts H by using Allen key A.



D Bolts x 3  M8X40mm	H Nuts x 2 	Allen Key 
---	---	--

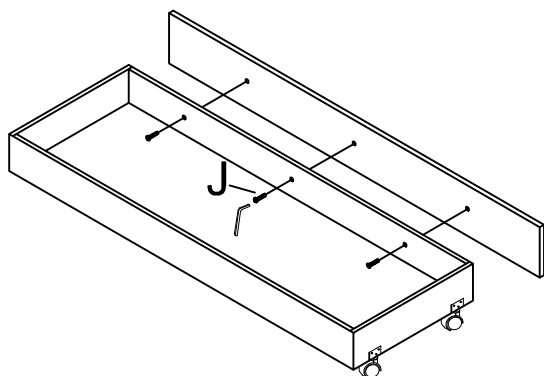
Step 10

Assembled the Drawer with Drawer fittings L and M. Fix the Drawer wheel O with Nails N by using Electric drill or Screw driver.



Step 11

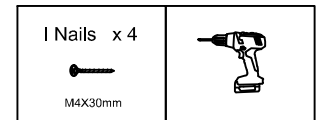
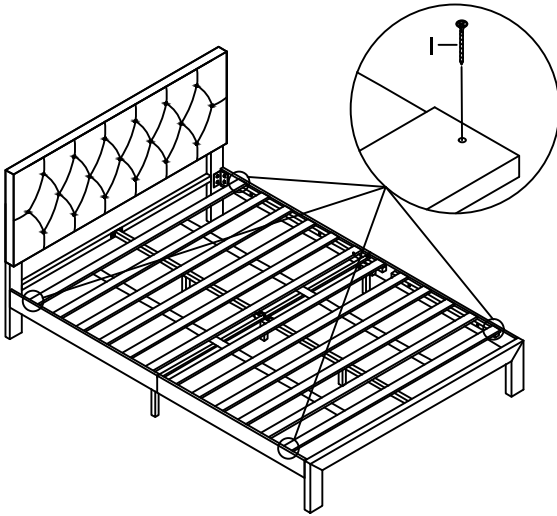
Fix Drawer outer board 14 to the drawer with Bolt J by using Allen key A.



J Bolts x 3 M8X30mm	Allen Key
------------------------	-----------

Step 12

Fix the Slats to the Siderail support bar with Nail I by using Electric drill or Screw driver.



Step 13

Push the drawers into the bed, then assembly is finished.

