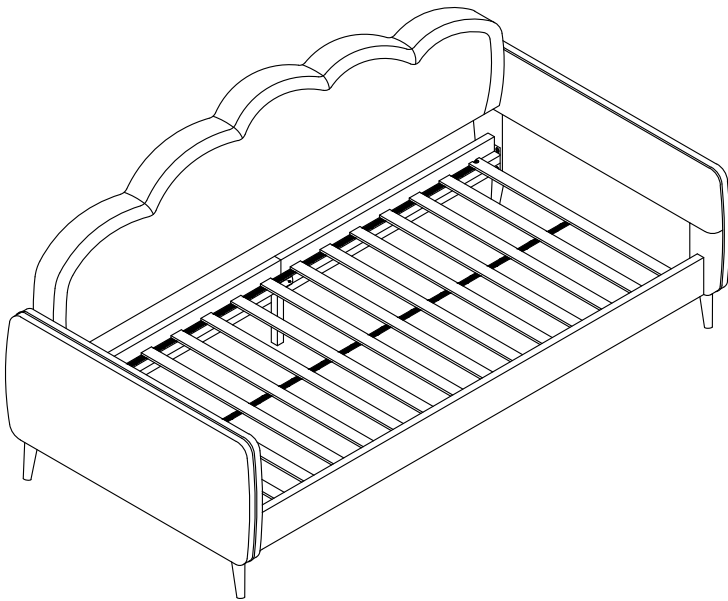


# ASSEMBLY INSTRUCTION

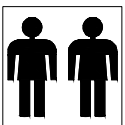


**WARNING: OPEN THE HEADBOARD BACK ZIPPER, THE BED REST PARTS IN IT.**

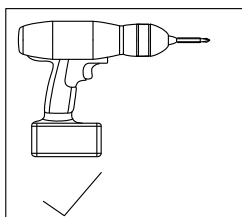
ITEM NUMBER:DB-YD

## IMPORTANT NOTE

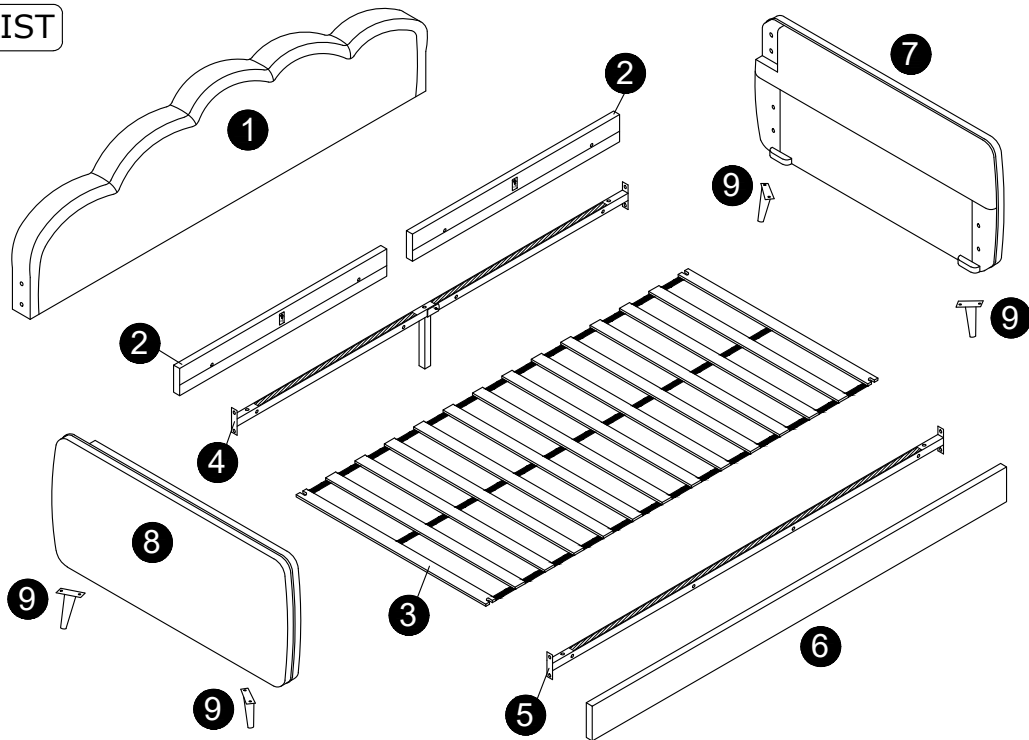
- 1. The product is shipped in two packages. Please check the number of packages received before assembly. If you are missing one package, receive a duplicate package, or have any assembly or after-sales issues, please contact [support@velocavabed.com](mailto:support@velocavabed.com)**
2. For the protection of your furniture, place all parts on a clean and smooth surface to prevent any damage.
3. Keep fittings out of children's reach and keep children well away from construction area.
4. When moving your assembled bed. it is best to lift the bed and never to drag it.
5. Do not use this product if parts are missing, damaged or worn.
6. This product should only be used on firm, level ground.
7. Please periodically check all fittings and re-tighten as necessary.
8. Do not use the bed unless all bolts and screws are firmly secured.
9. For further assistance, please provide a screenshot of your order and contact us via email at [support@velocavabed.com](mailto:support@velocavabed.com)



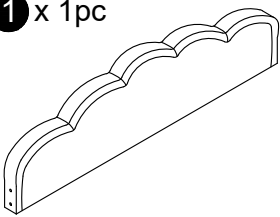
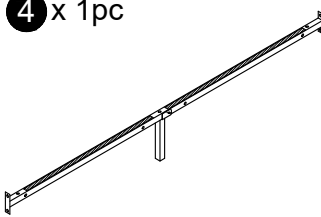
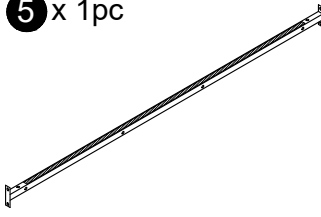
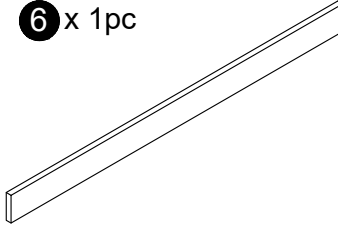
Minimum two person assembly



**PART LIST**

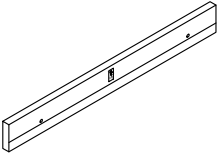
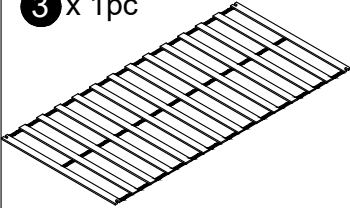
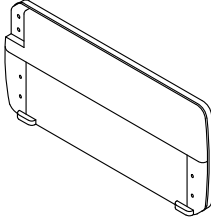
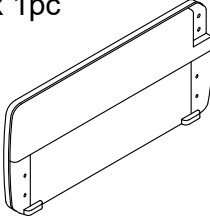
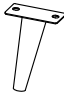


**Components of Carton A**


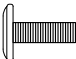



<p>1 x 1pc</p> 	<p>4 x 1pc</p> 	<p>5 x 1pc</p> 	<p>6 x 1pc</p> 
---	---	--	---

**Please unzip the back of Part 1 – Parts 4, 5, and 6 are packed inside Part 1.**

**Components of Carton B**

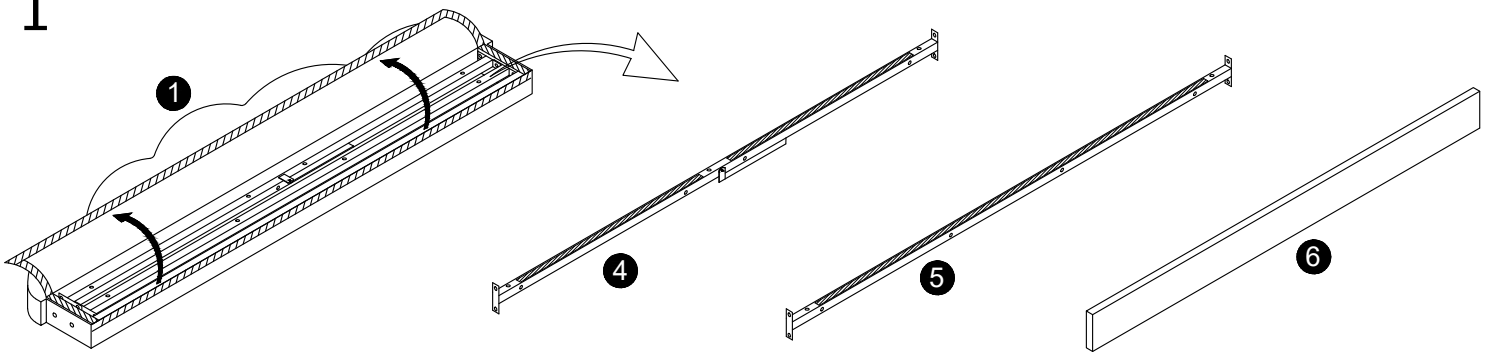
<p>2 x 2pcs</p> 	<p>3 x 1pc</p> 	<p>7 x 1pc</p> 	<p>8 x 1pc</p> 
<p>9 x 4pcs</p> 			

**HARDWARE LIST**

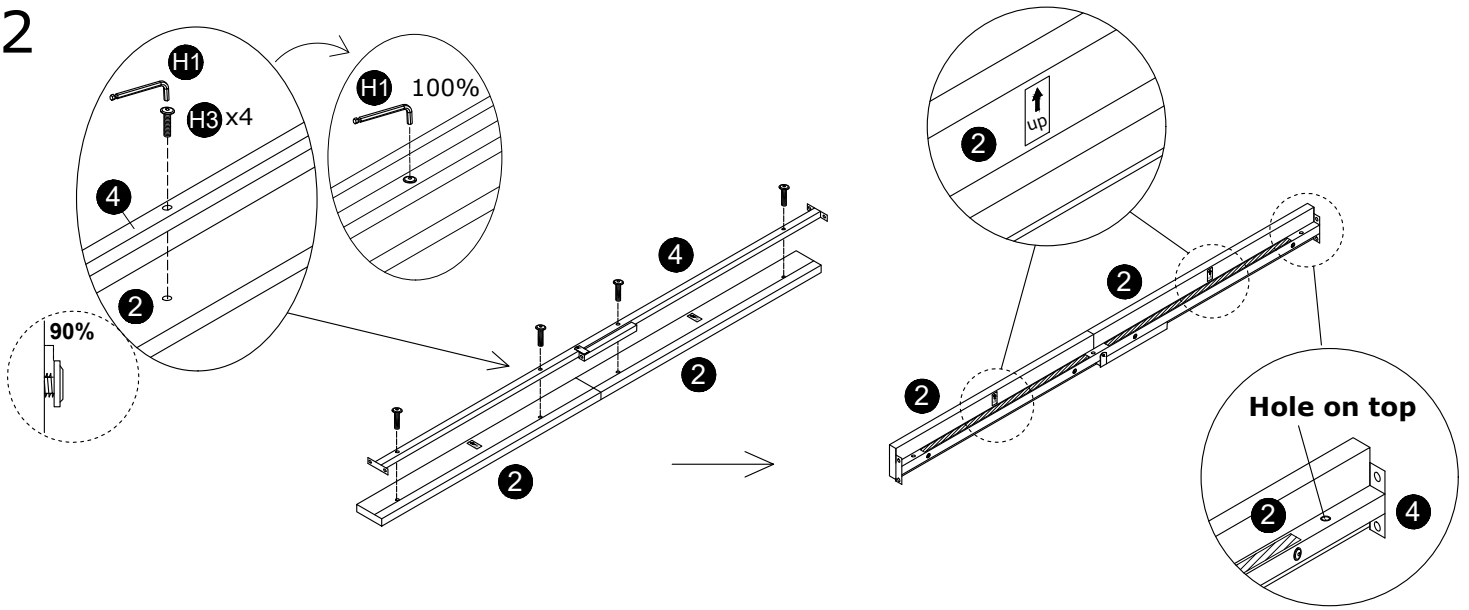
 <p>H1 M5 x 1pc</p>	 <p>H2 M8x25mm x 16pcs</p>	 <p>H3 M8x40mm x 17pcs</p>	 <p>H4 M8 x 20pcs</p>	 <p>H5 M8x22mm x 4pcs</p>
--	---	---	--	--

**Please ensure to thoroughly inspect the small inner cardboard box containing the hardware, which are tied with a red string, before disposing of the box.**

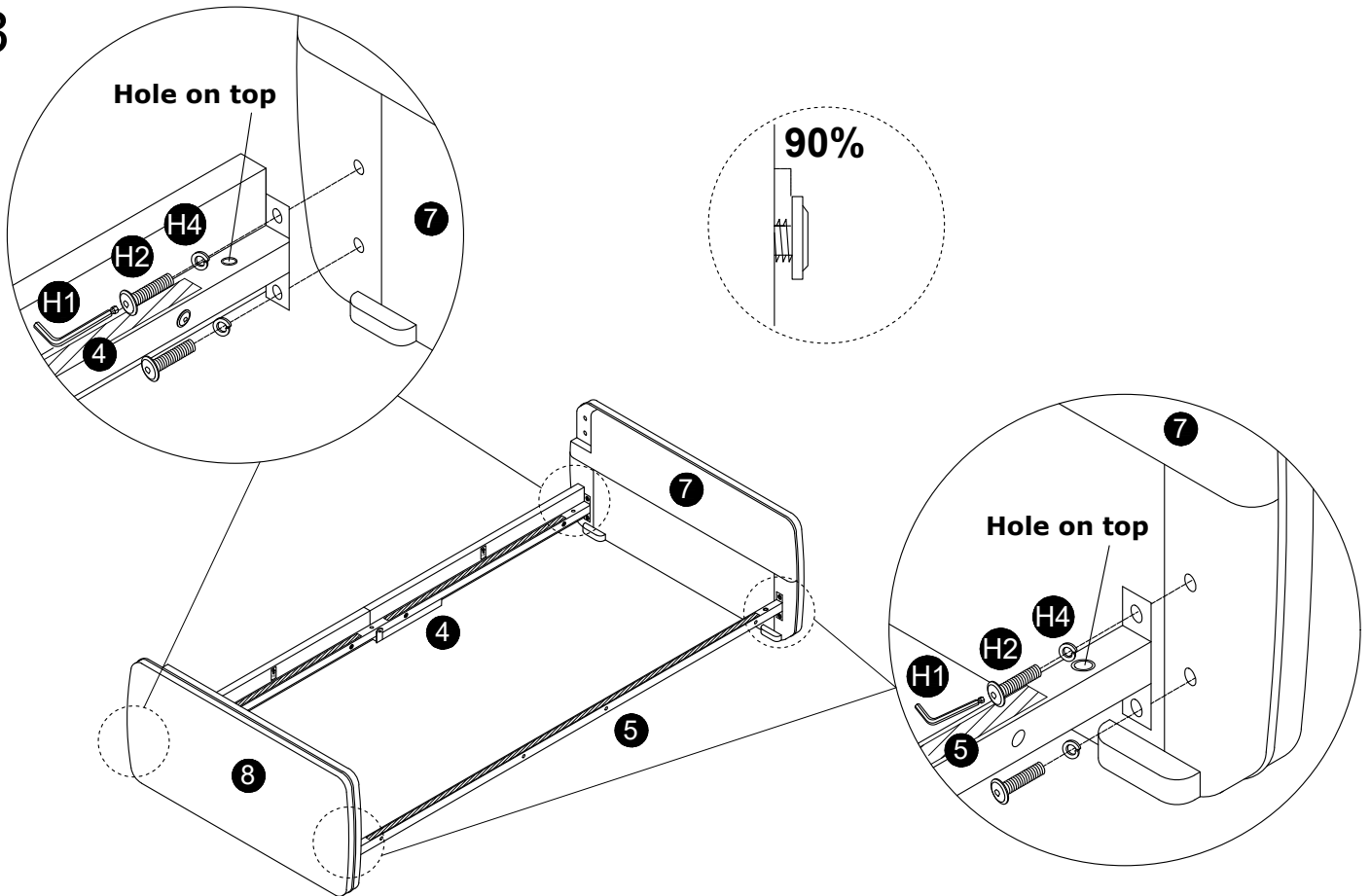
1



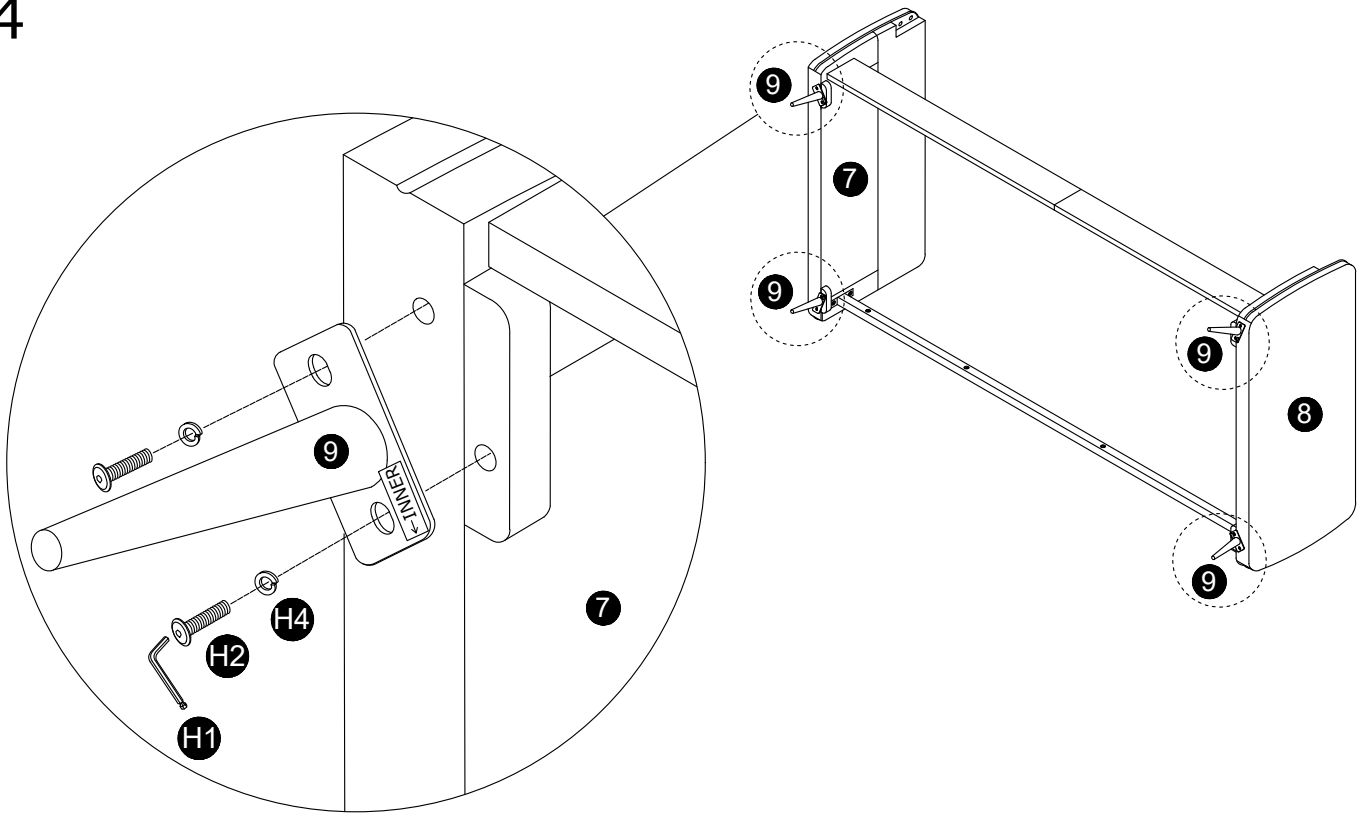
2



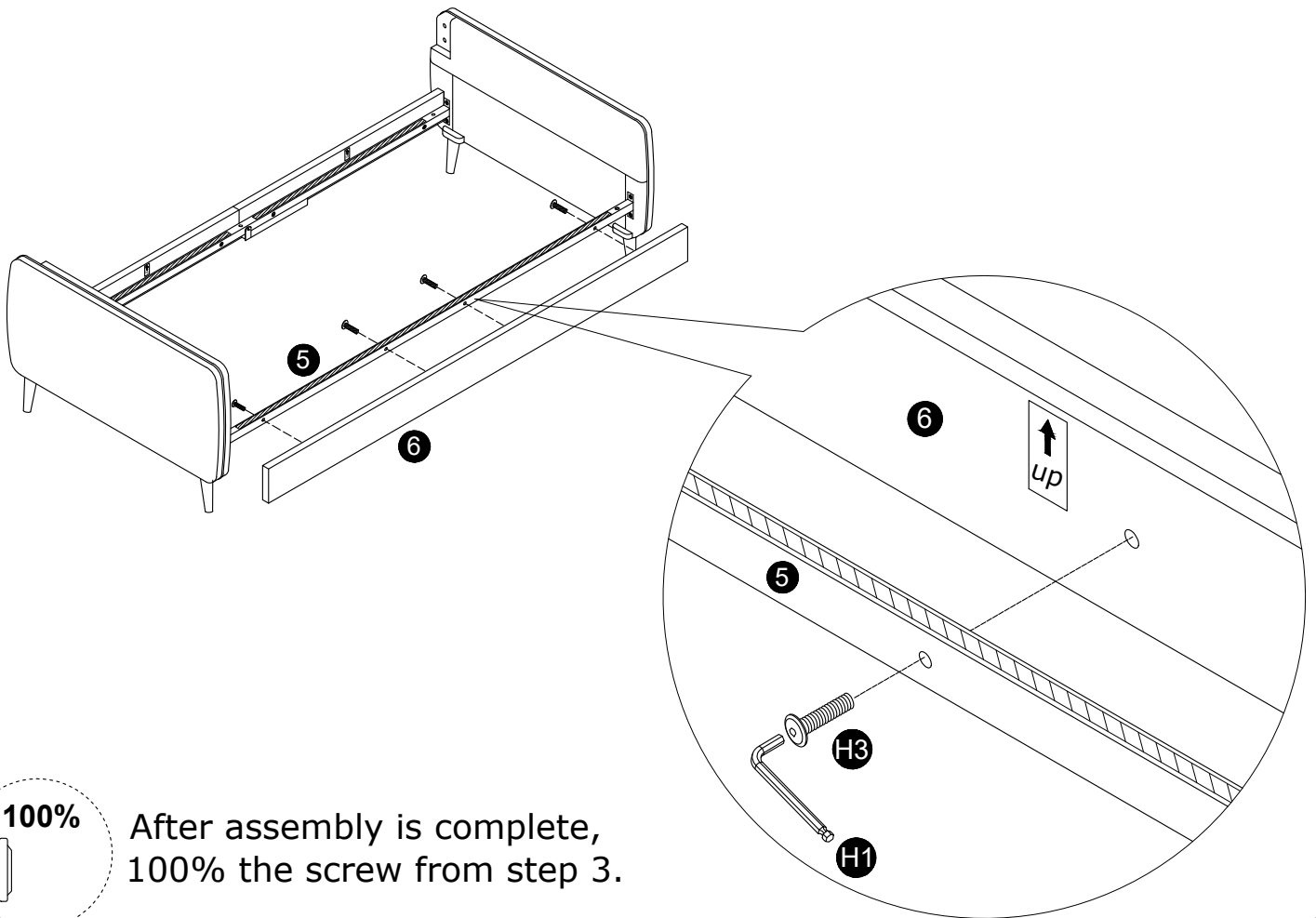
3



4



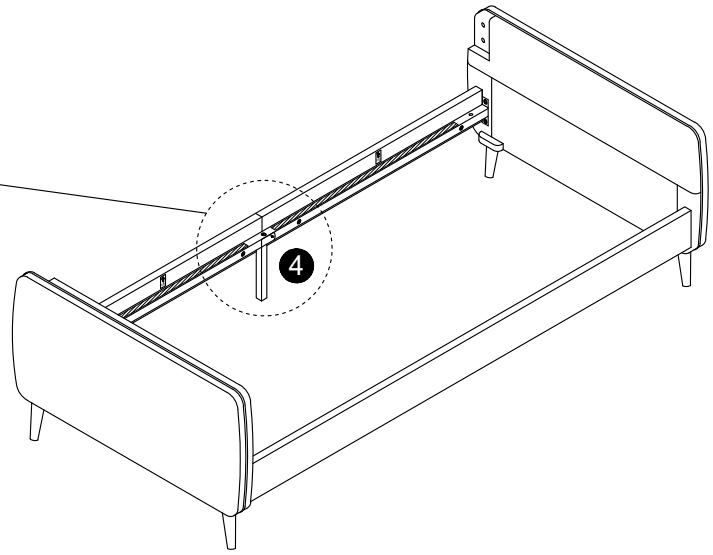
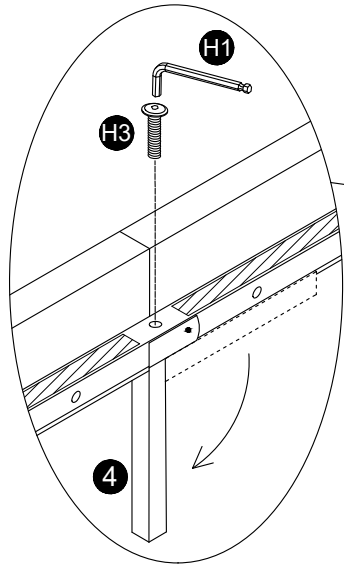
5



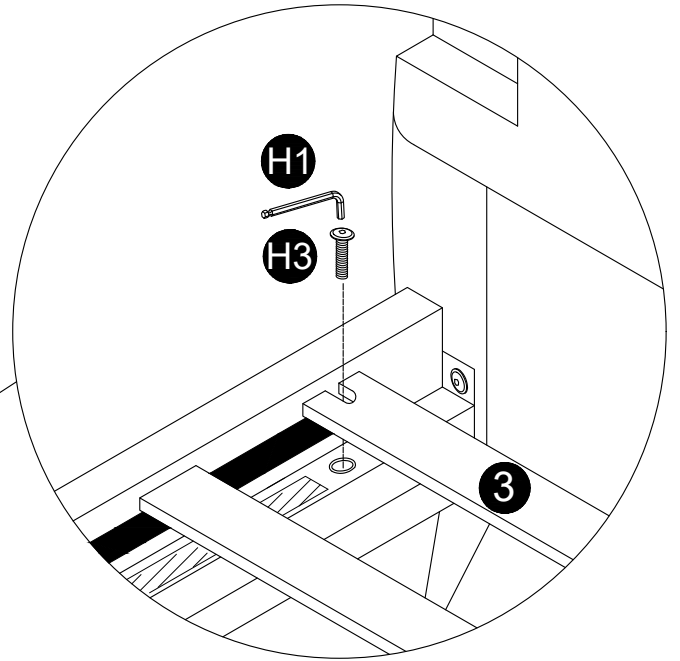
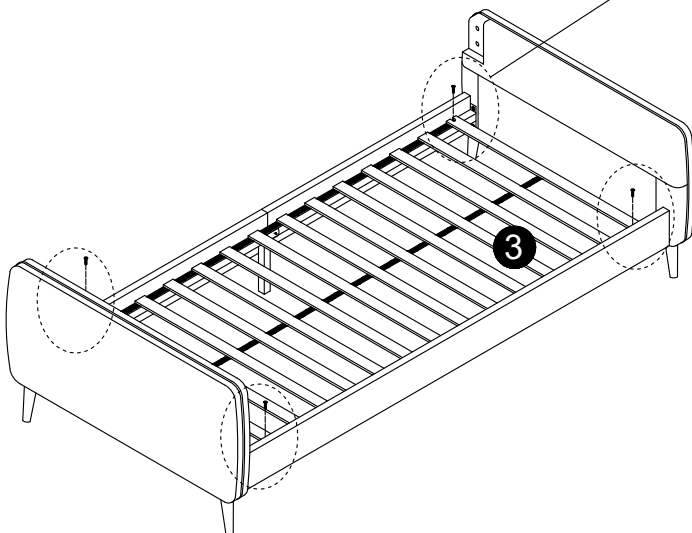
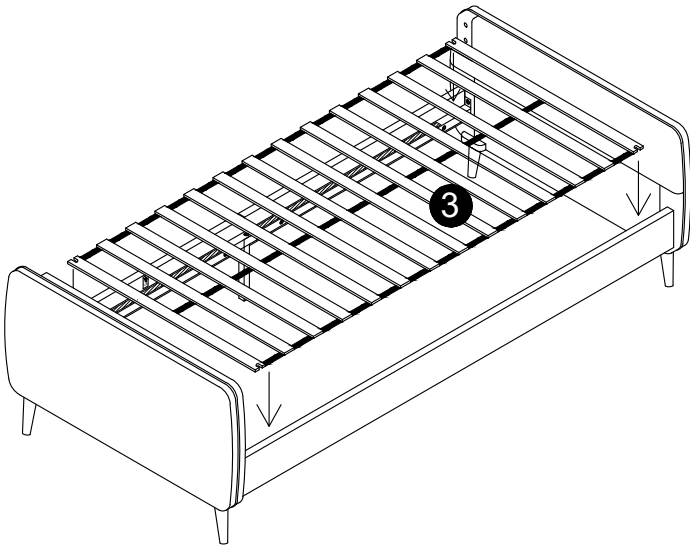
100%

After assembly is complete,  
100% the screw from step 3.

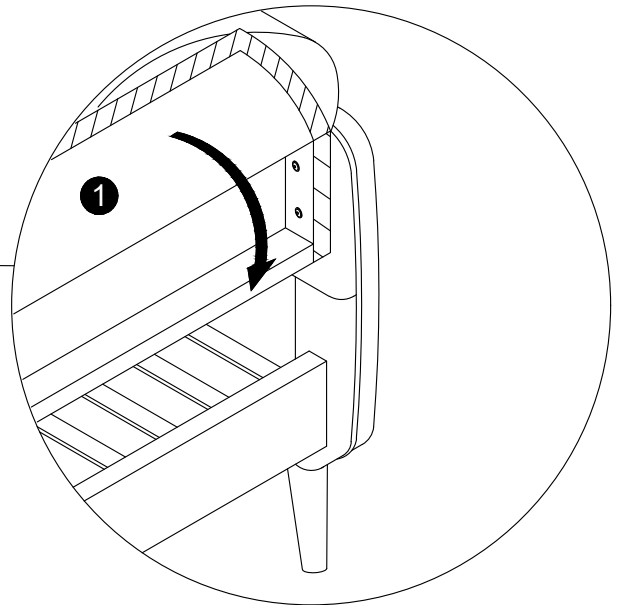
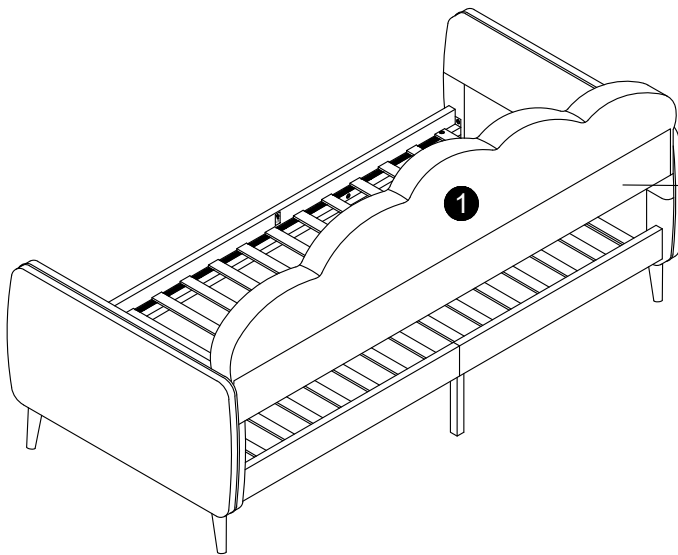
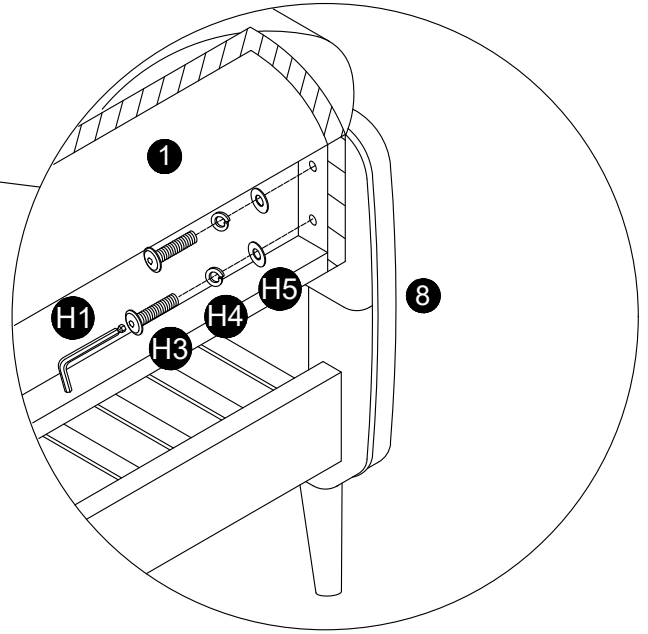
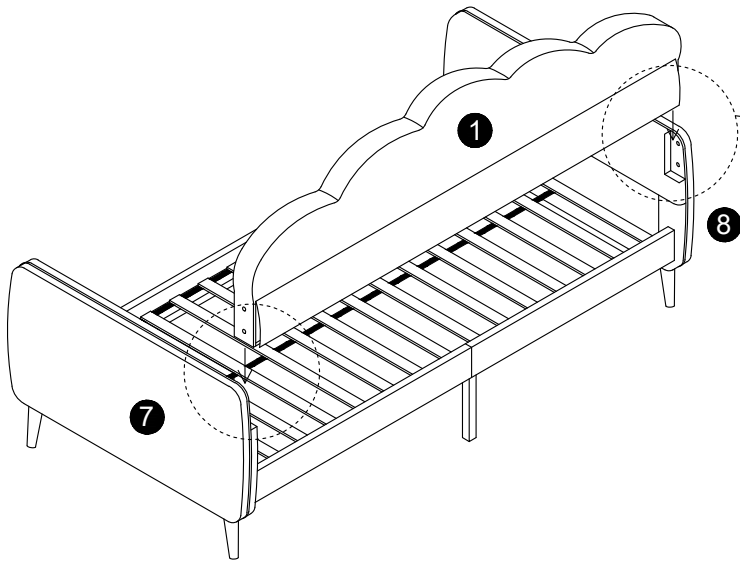
6



7



8



**Job Complete !**

*In the interest of our environment please dispose of all packaging thoughtfully.*