

# Aluminum Spring Chair Sling Bucket

## POR-SPRING

### Assembly Instructions

READ AND SAVE THESE INSTRUCTIONS

Step 1: Remove all protective materials and check all component pieces against parts list.

Step 2: Align the bolt holes in Chair Seat Bucket (A) with those on the Chair base(B), Using Bolt (C) and washer(D) in Photo 1,

**Important :DO NOT TIGHTEN BOLTS AT THIS POINT.**

Step 3: Tighten all of bolts and Cover all bolts (C) with bolt covers (E)

The Chair is ready for your enjoyment.

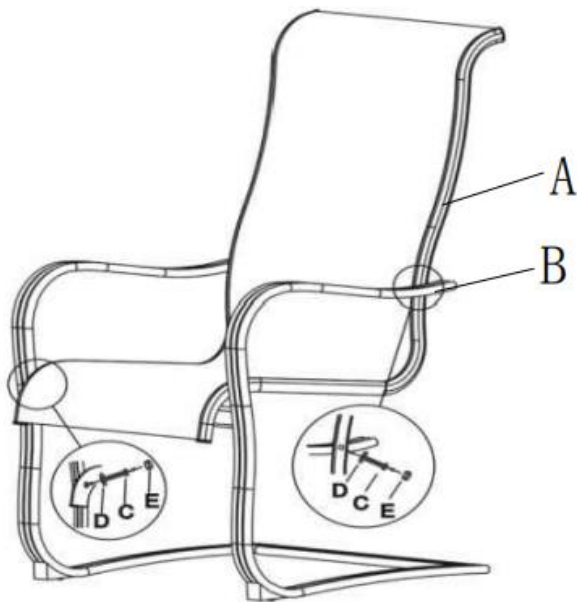


photo 1

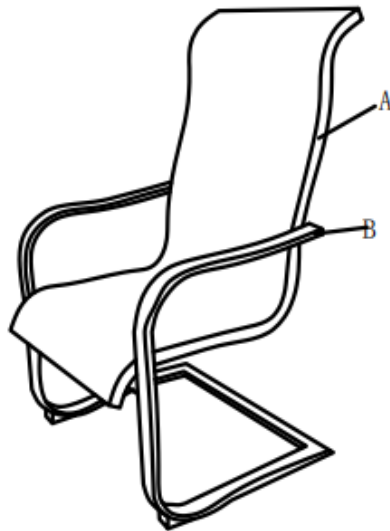


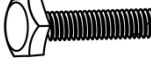





Photo 2

### PARTS LIST

<b>A</b>	<b>Chair seat bucket</b>		<b>6</b>
<b>B</b>	<b>Chair base</b>		<b>6</b>
<b>C</b>	<b>1/4" X 35mm Bolt</b>		<b>24</b>
<b>D</b>	<b>1/4" Flat washer</b>		<b>24</b>
<b>E</b>	<b>1/4" Bolt cover</b>		<b>24</b>
<b>F</b>	<b>1/2" Wrench</b>		<b>1</b>