

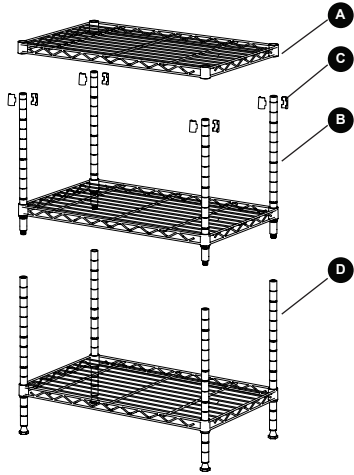
CARE AND MAINTENANCE





Never use abrasive or acid-based cleaners on the shelf rack.
Clean shelves and rods with a solution of mild detergent and water. Use a soft cloth or sponge to wipe parts. Rinse and dry thoroughly. Keep surfaces dry and clean for a longer lasting finish.

NOTICE

Please read and understand these instructions before attempting to assemble, operate or install the product.

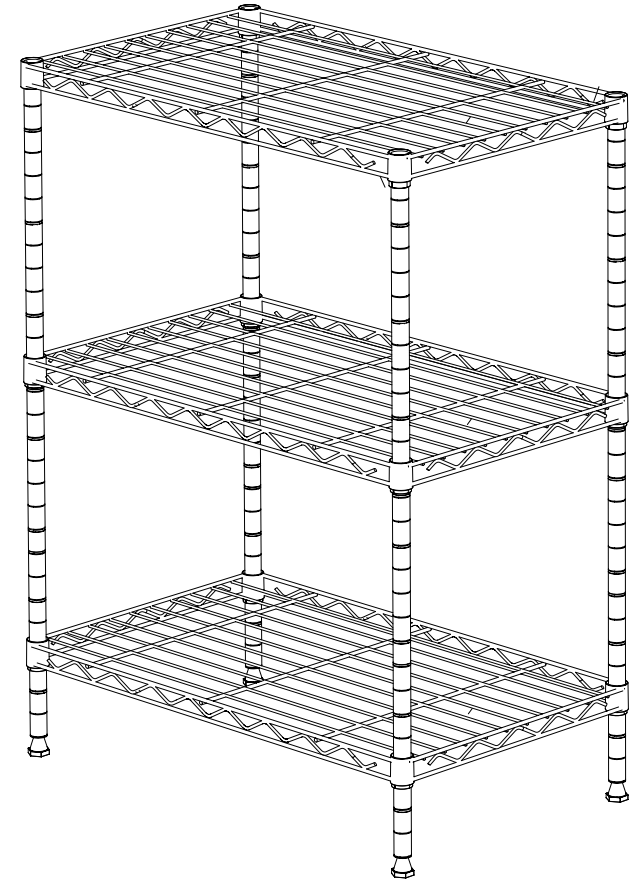
- Two adults required for a assembly.
- Do not allow children to climb or play in or around the shelves.
- Each shelf holds up to 160 lbs. when items are evenly distributed.
- Assemble on a soft surface, such as carpeting to avoid scratching the finish.



Part	Description	Picture	Quantity
A	Shelves		3
B	Upper Pole (with Joiner)		4
C	Spacers		14
D	Lower Pole (with leveler)		4

PREPARATION

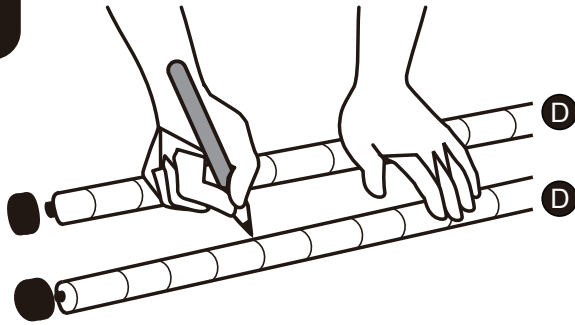
1. Before beginning assembly of product, make sure all parts are present. Compare parts with package contents list and hardware contents. If any part is missing or damaged, do not attempt to assemble the product.
2. Estimated Assembly Time: Approximately 15 - 20 minutes.
3. Helpful Tools (not included): Rubber Mallet.
4. No Tools Required for Assembly.



24 in W x 14 in D x 36 in H

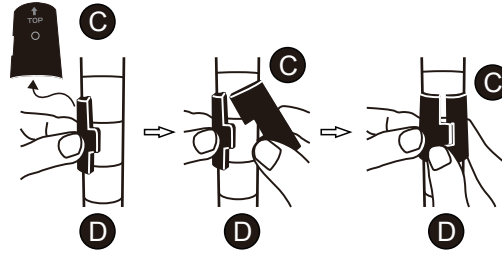
Assembly Instructions

1



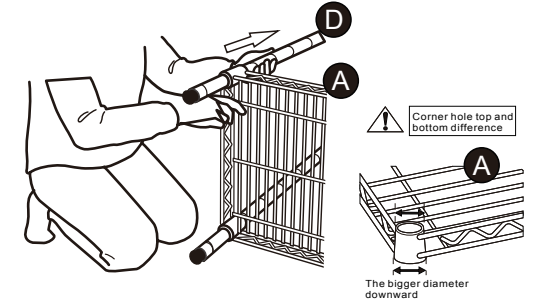
Use a pen to mark the height on the 4 Lower Poles (D). Be sure all poles are marked in the same location.

2



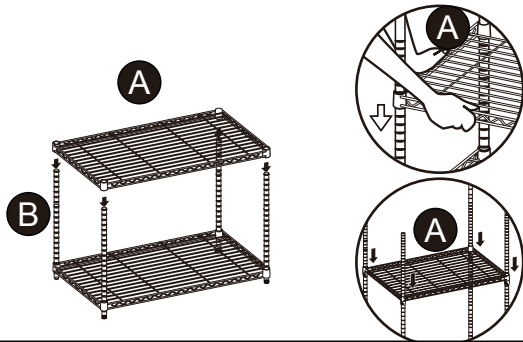
Attach 2 Spacers (C) at the pen marks on the 4 Lower Poles (D). Keep the arrows on the spacers (C) pointed upwards.

3



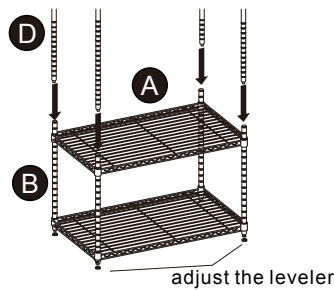
Place the Lower Poles (D) through the corner holes of 1 Shelf (A). Fit the shelf carefully and securely over the Spacers (C).

4



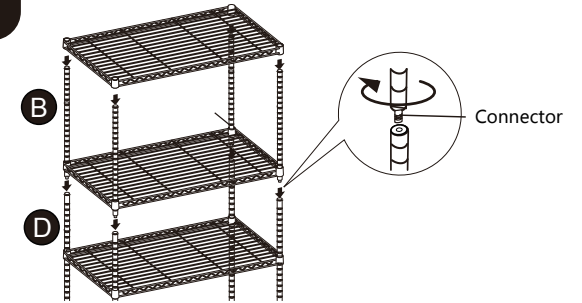
Install the second Shelf (A) following steps 2-3.

5



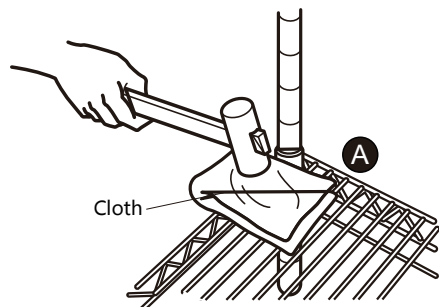
Screw the Upper Pole (B) onto the threaded ends of the Lower Poles (D). Be sure the connection is secure & tight.

6



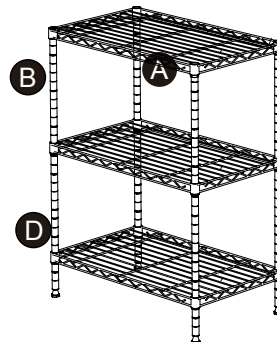
Install remaining Shelves (A) following steps 2-3.

7



Use the rubber mallet to tap the shelves into place for a secure fit. Use a soft cloth between the shelf & mallet to prevent damage to the shelf.

8



Assembly is Complete.