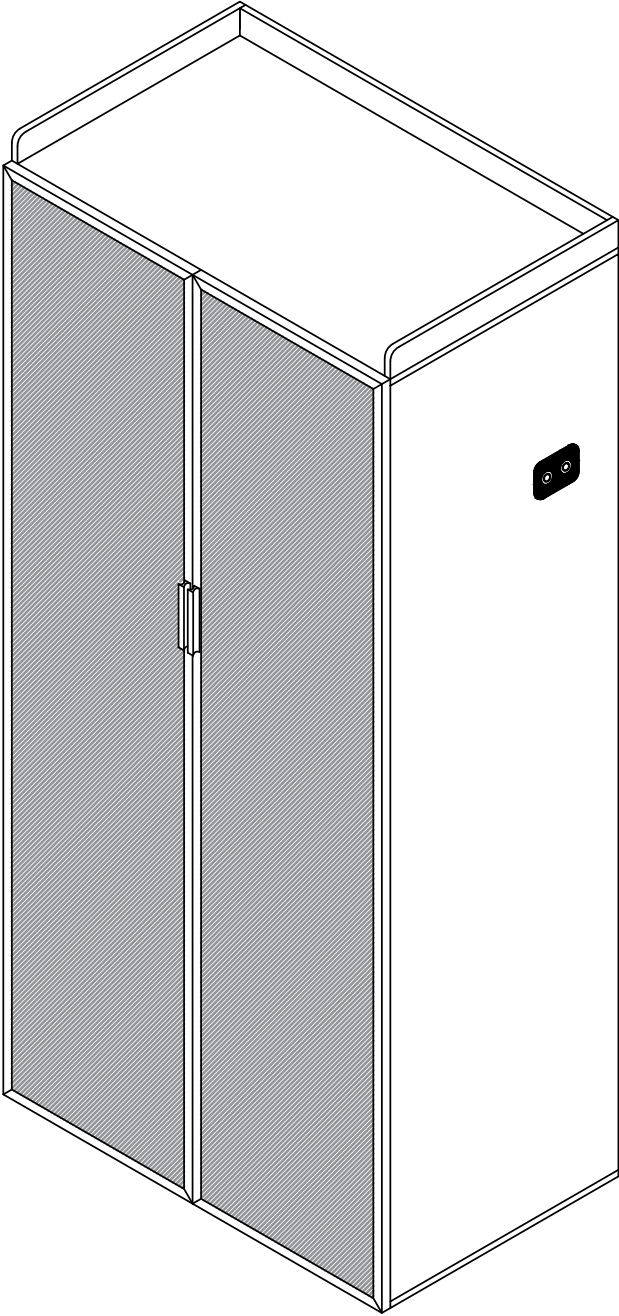
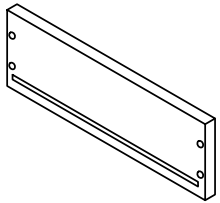
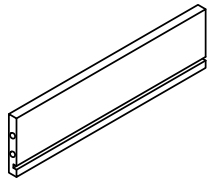


Product Installation Instructions

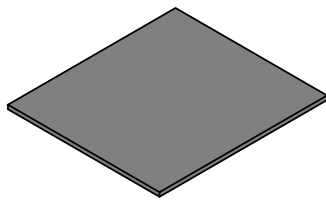




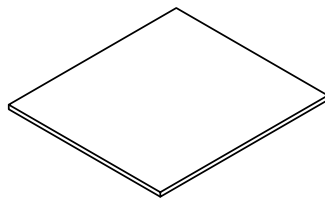
Ax1



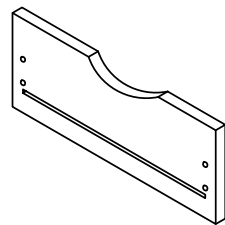
Bx2



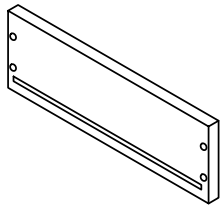
Cx1



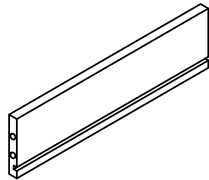
C1x1



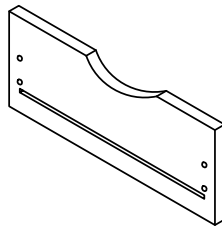
Dx1



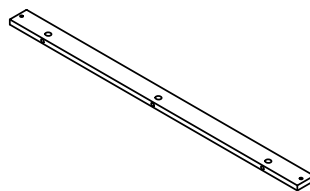
Ex1



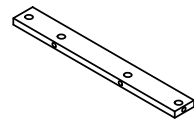
Fx2



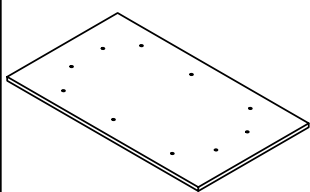
Gx1



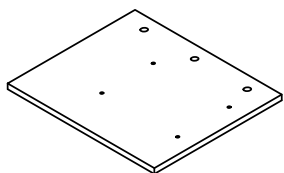
Hx2



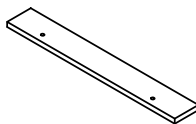
Ix2



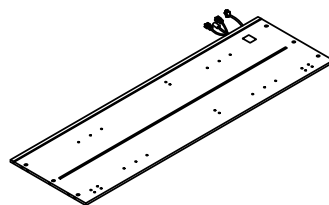
Jx1



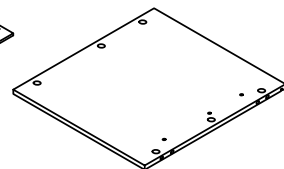
Kx1



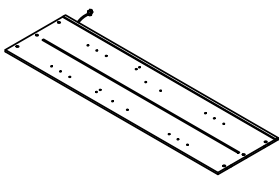
Lx2



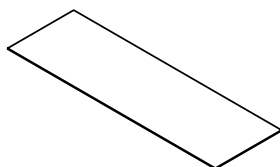
Mx1



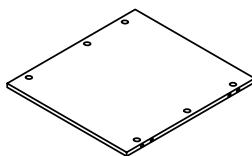
Nx1



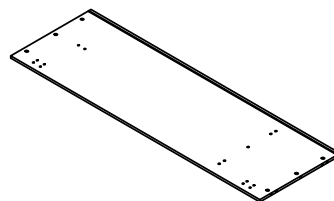
Ox1



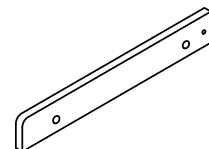
Px2



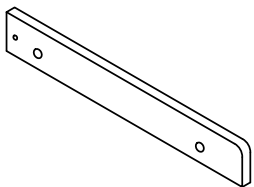
Qx1



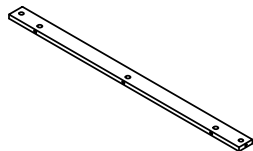
Rx1



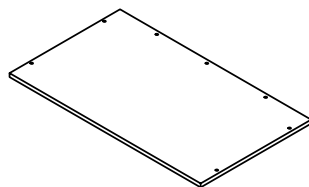
S1x1



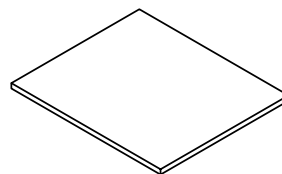
S2x1



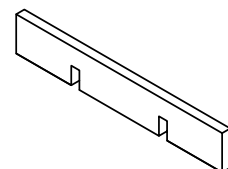
Tx1



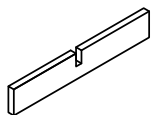
Ux1



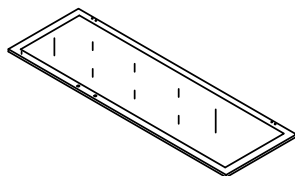
Vx2



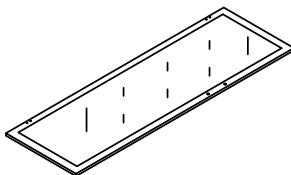
Wx1



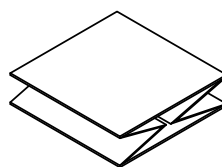
Xx2



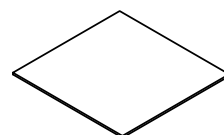
Yx1



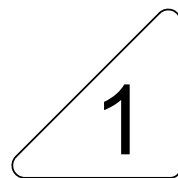
Zx1



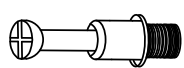

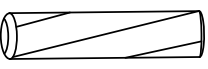
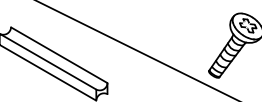
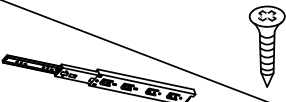


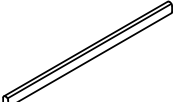
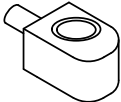
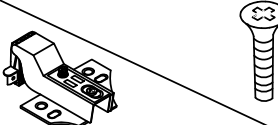
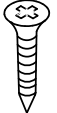
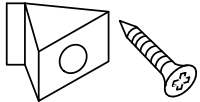

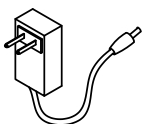
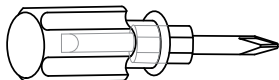
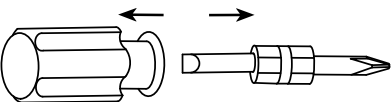
13 x1



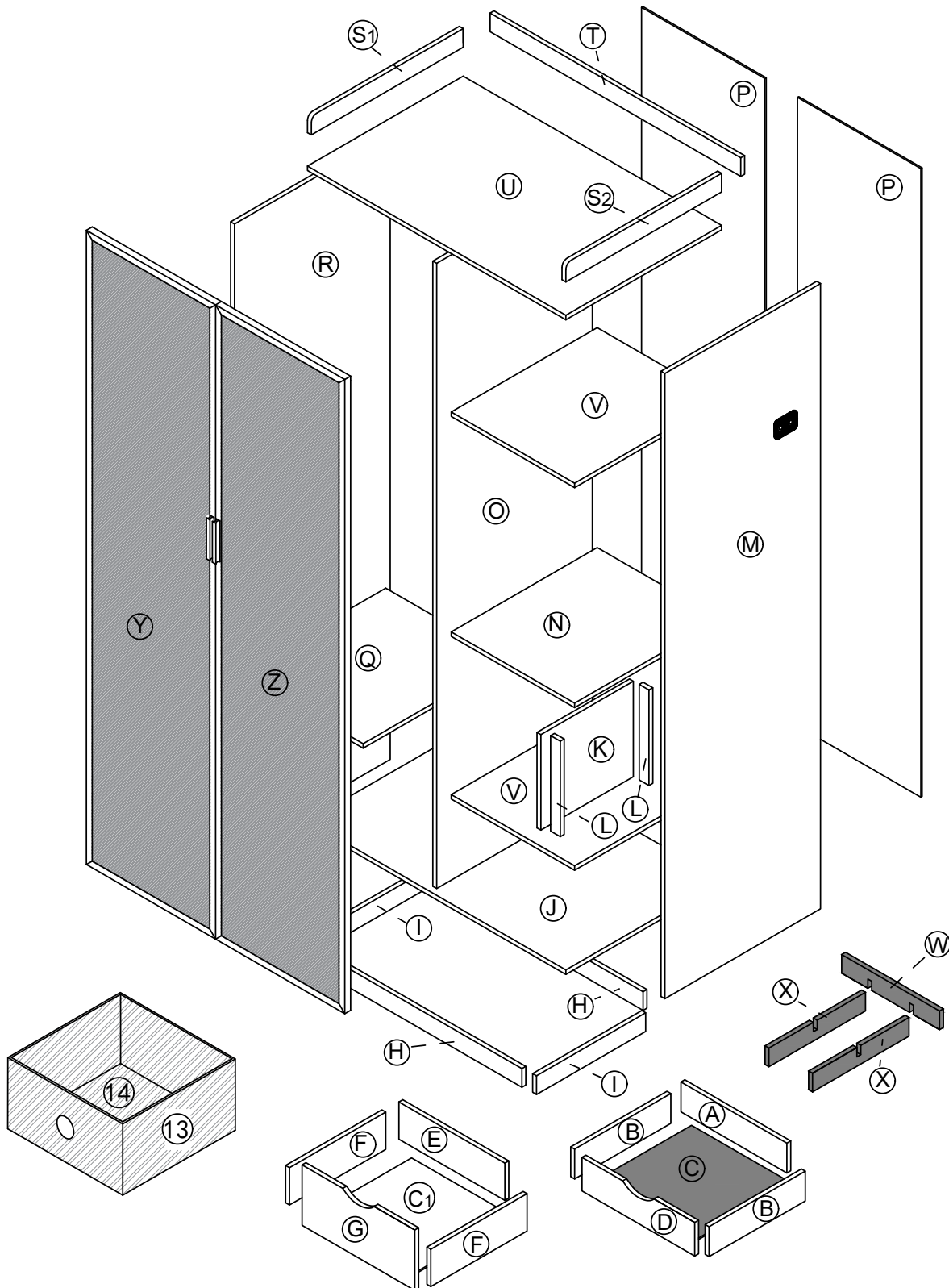
14 x1



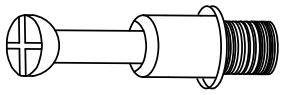
1

①		Two In One Screw (6x28mm)	74pcs +4pcs
②		Two In One Nut (10x12mm)	74pcs +4pcs
③		Wood Chipping (6x30mm)	20pcs +4pcs
④		Handle & screw (4x18mm)	4pcs +1pcs 2pcs
⑤		Guide & Screw (3x12mm)	20pcs +4pcs 4pcs
⑥		Clothing Rod Hooks & Screw (3.5x12mm)	4pcs +1pcs 2pcs
⑦		Non-slip pads	6pcs +2pcs
⑧		Clothing Rod	1pcs
⑨		Laminate support nail	8pcs +2pcs
⑩		Hinge & Screw (4x10mm)	8pcs 4pcs
⑪		Screw (3.5x12mm)	16pcs +2pcs
⑫		Fixing clip & screw (3x16mm)	12pcs +2pcs
⑬	<p style="text-align: center;">Anti-toppling hardware</p> 		
		AC/DC Adapter (12V=3.0A)	1pcs
 1pcs		 Double-head screwdriver, use as required <div style="float: right; border: 1px solid black; padding: 10px; width: 60px; text-align: center; font-size: 2em; font-weight: bold;">2</div>	

Product structure decomposition

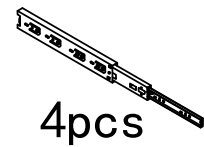


1

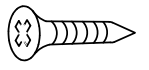


16pcs

5



4pcs

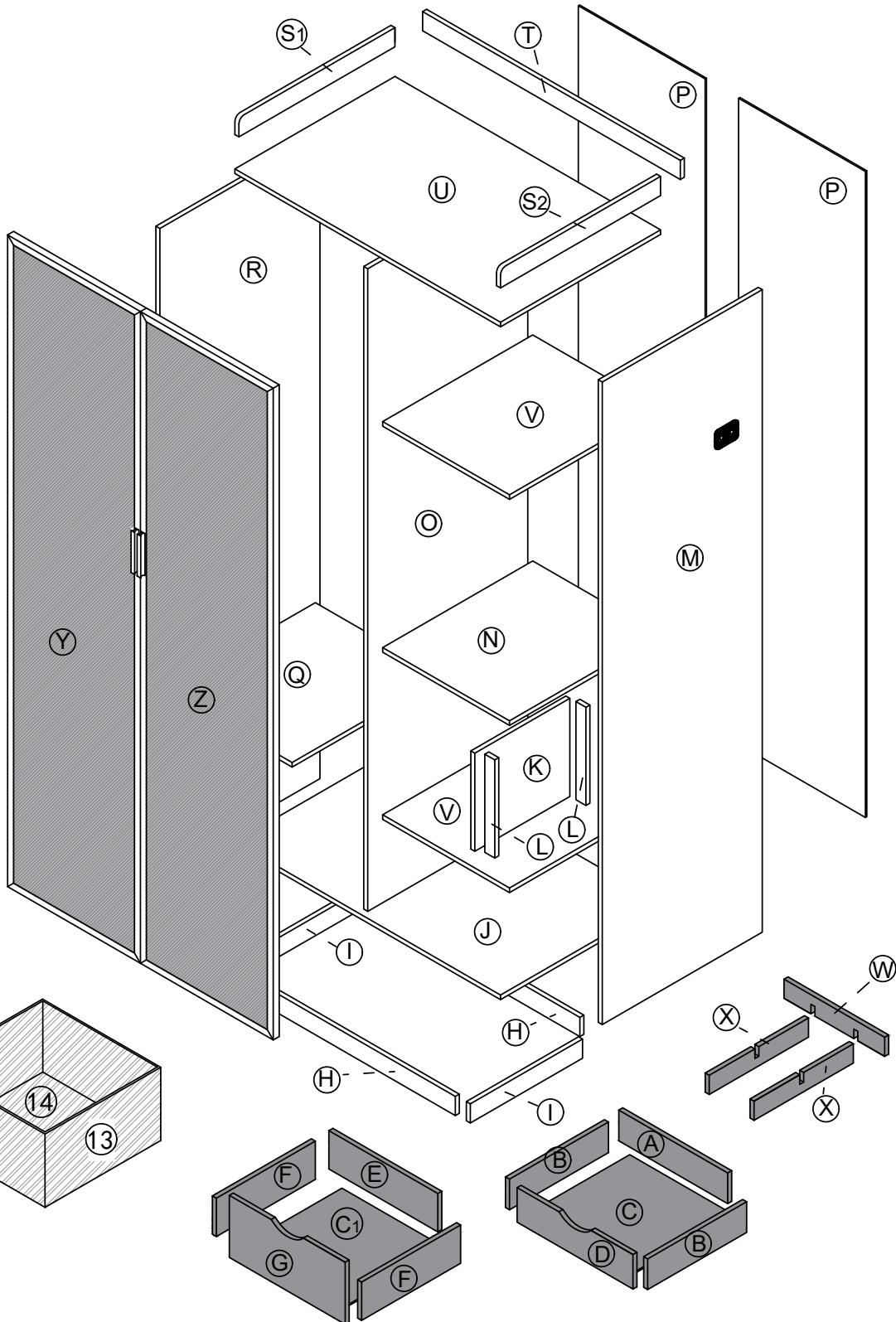


8pcs

2

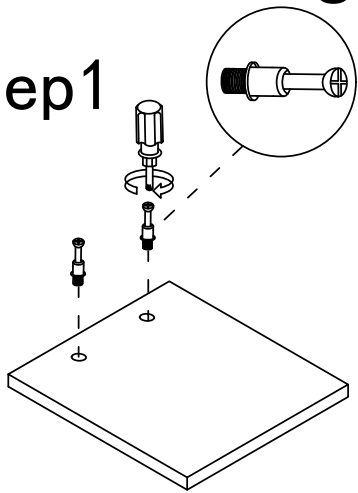


16pcs

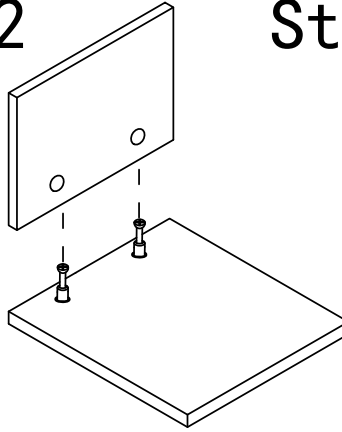


Use parts ① and ②

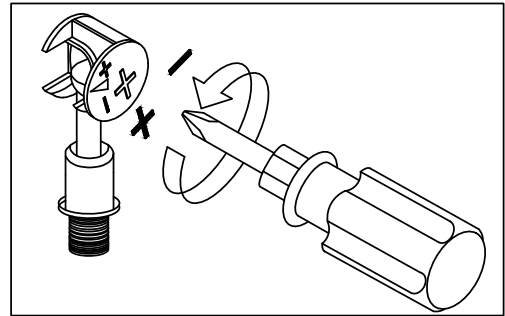
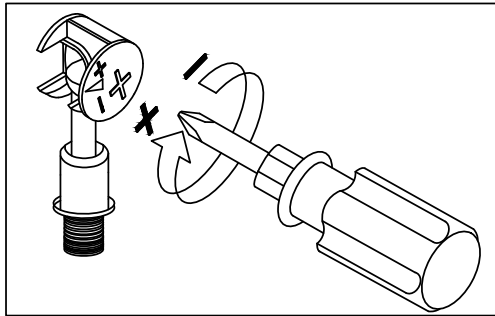
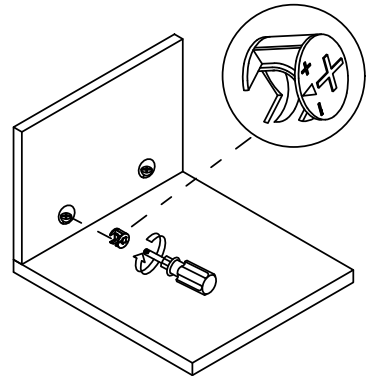
Step1



Step2



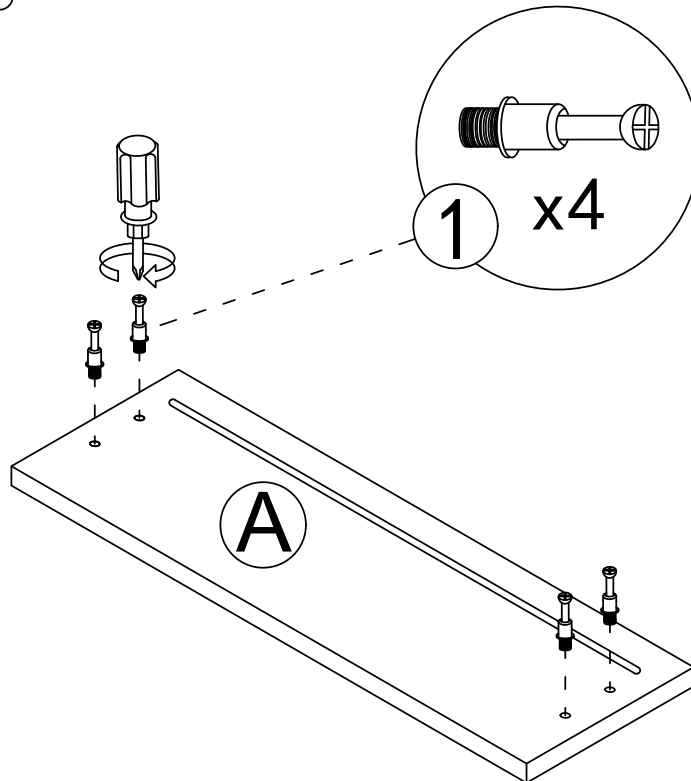
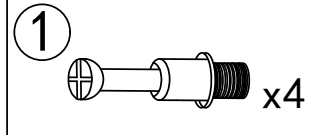
Step3



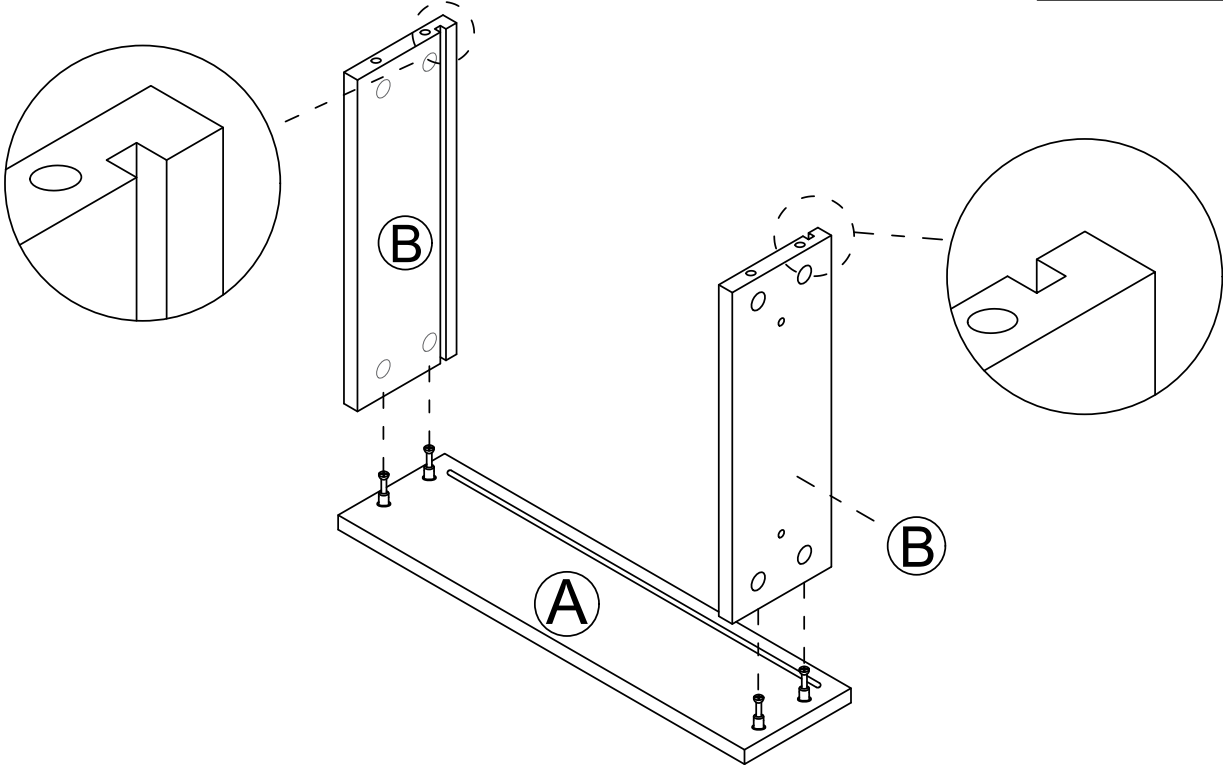
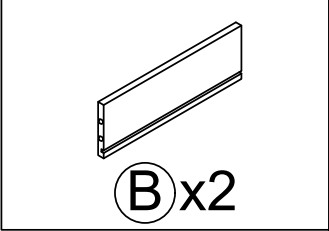
Use a screwdriver to lock in the direction of the "+" sign

Disassemble along the direction of "-" sign

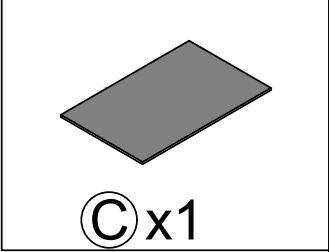
Step 1



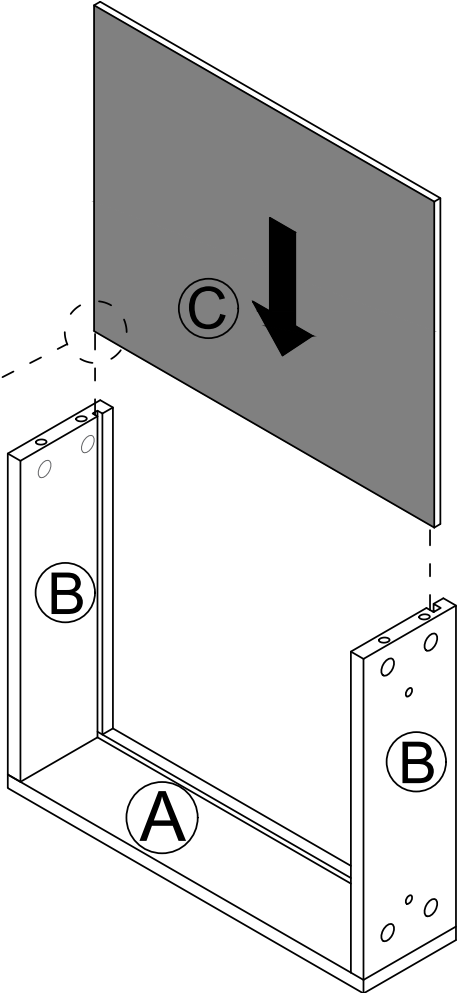
Step 2



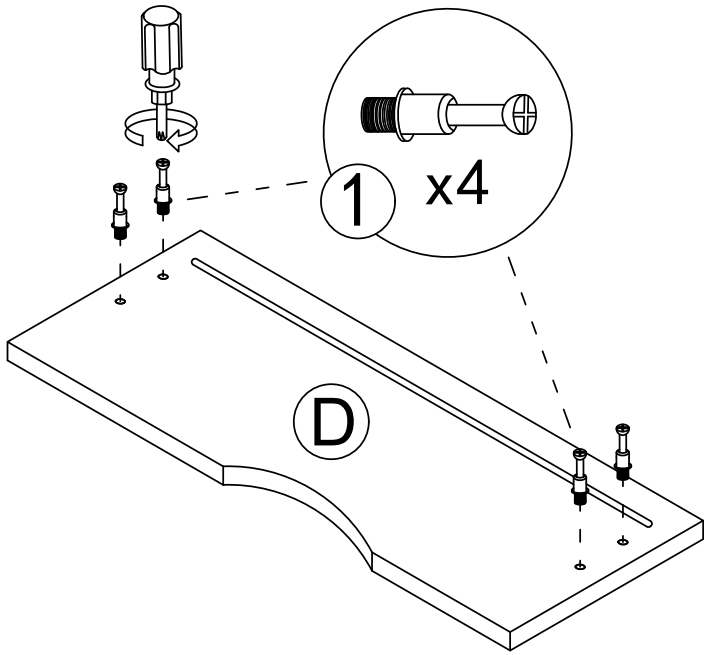
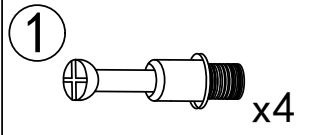
Step 3



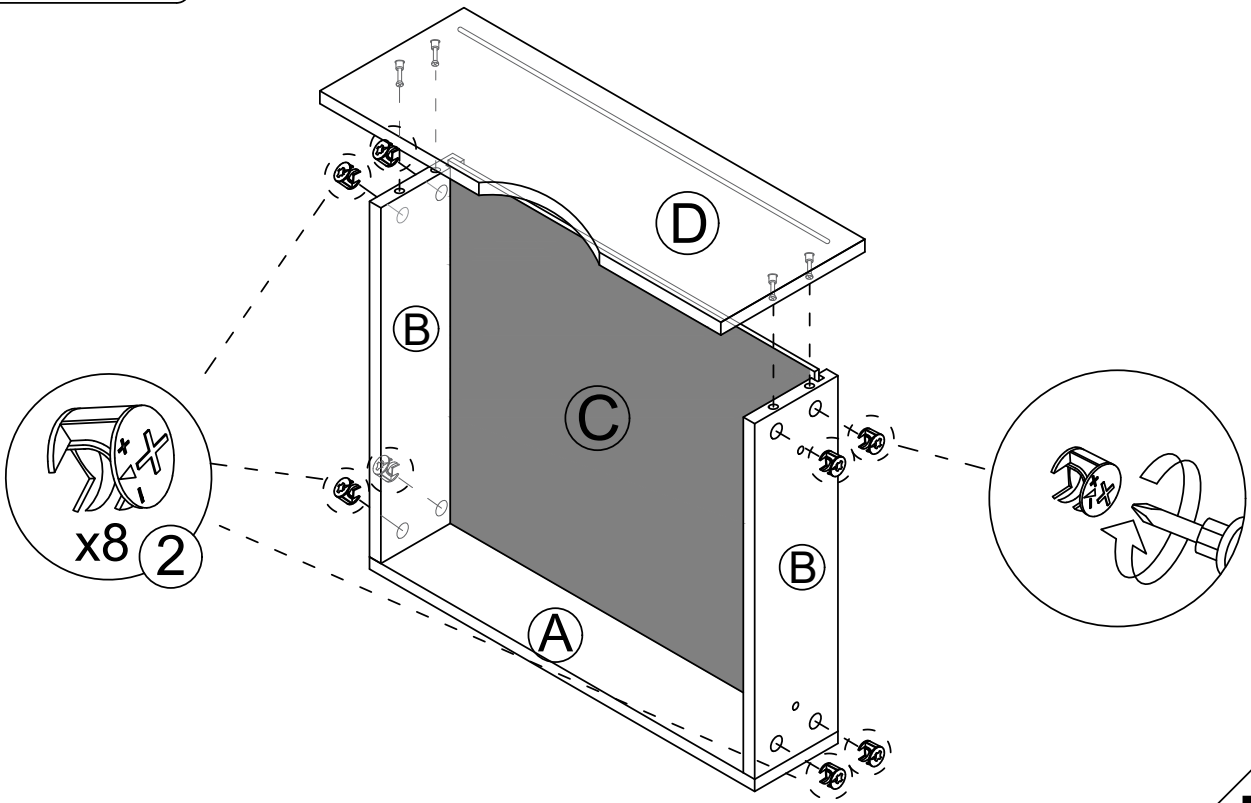
The side with cloth facing inside



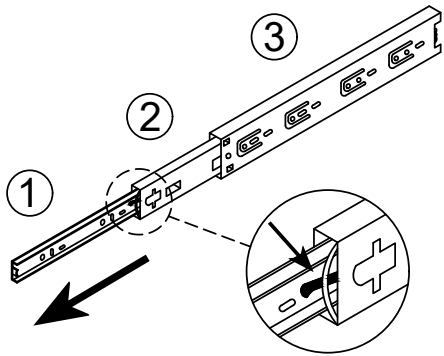
Step 4



Step 5

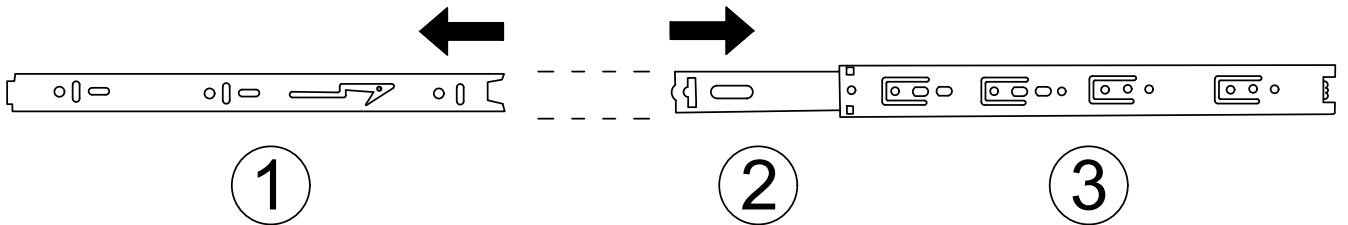
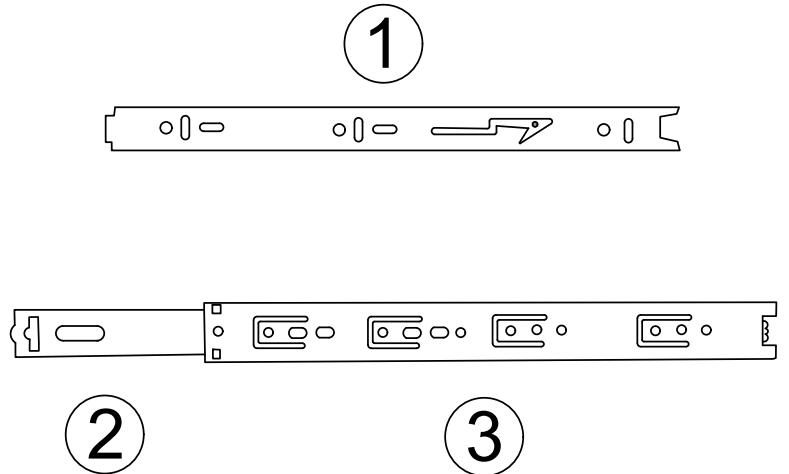


Exploded view of drawer guide rail

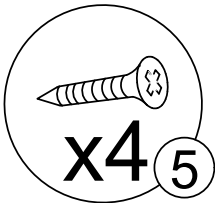
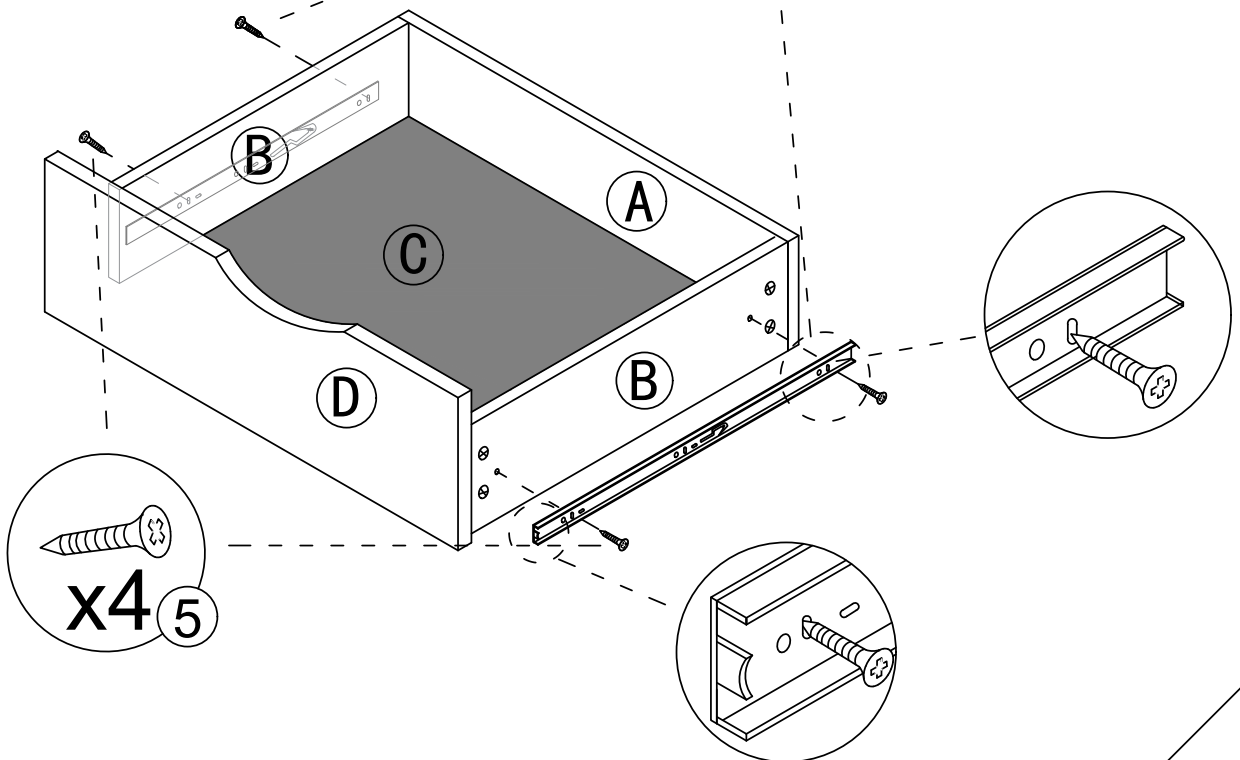
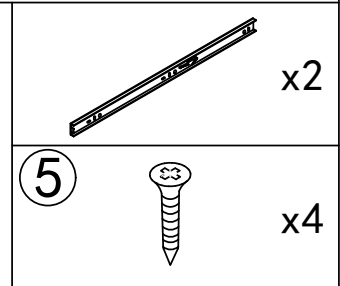
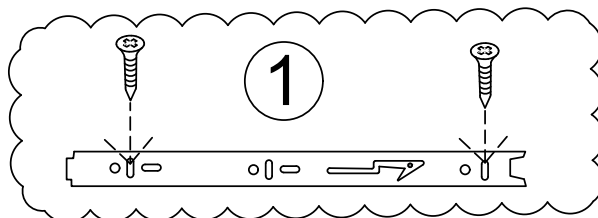


Step 1 : Pull the guide rail apart

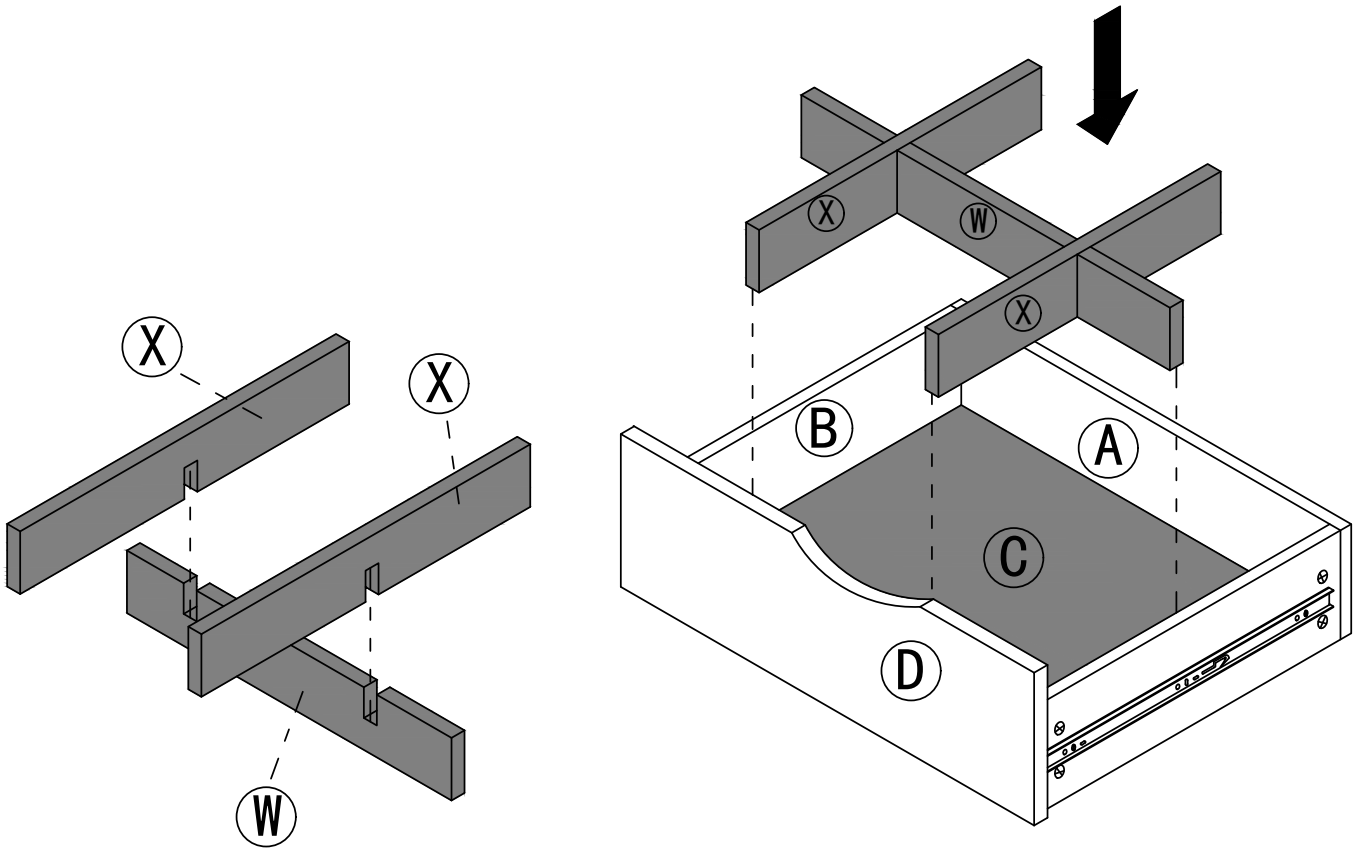
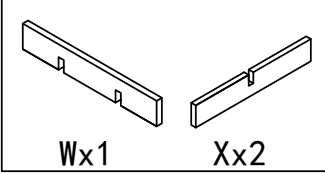
Step 2 : Push the nylon buckle and pull outward ①



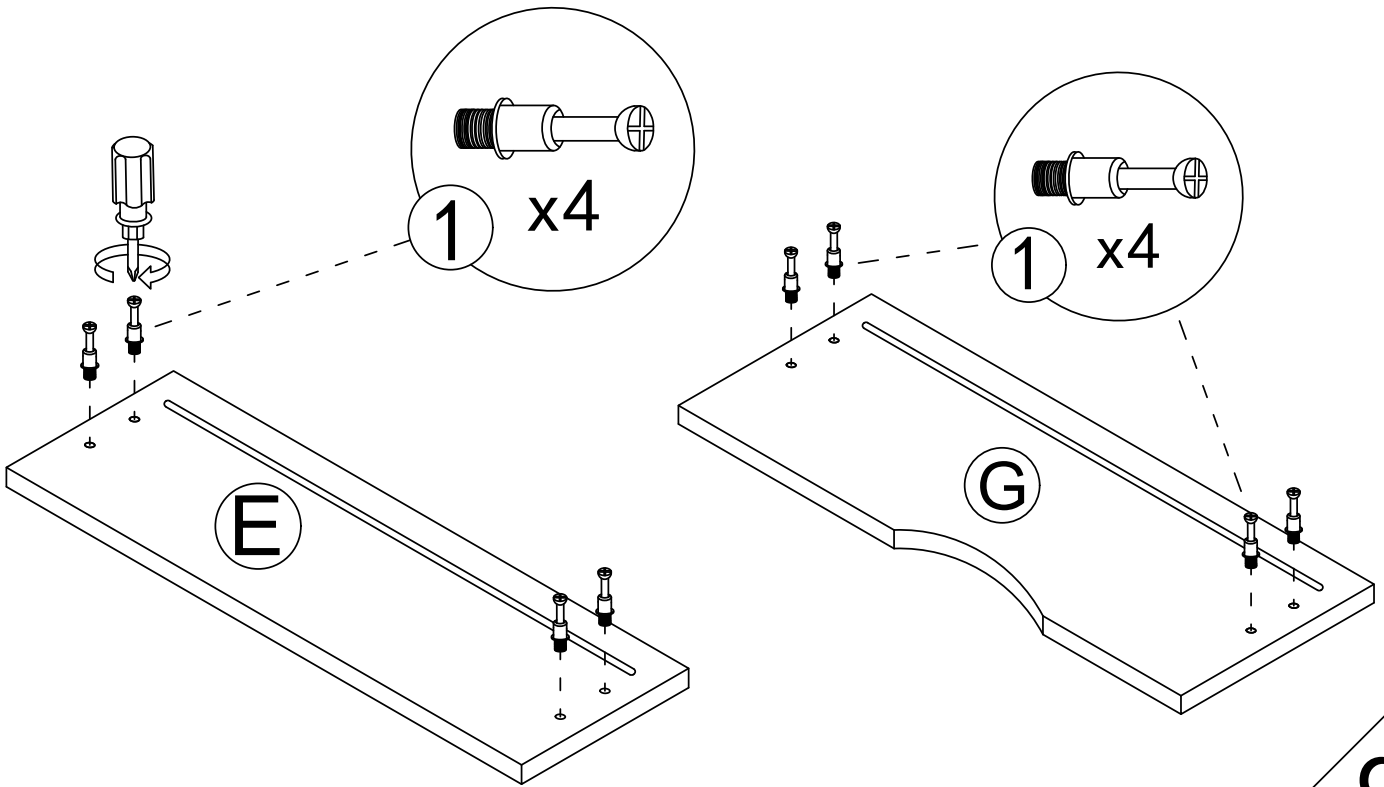
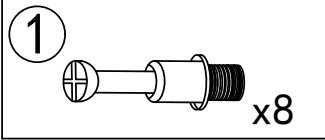
Step 6



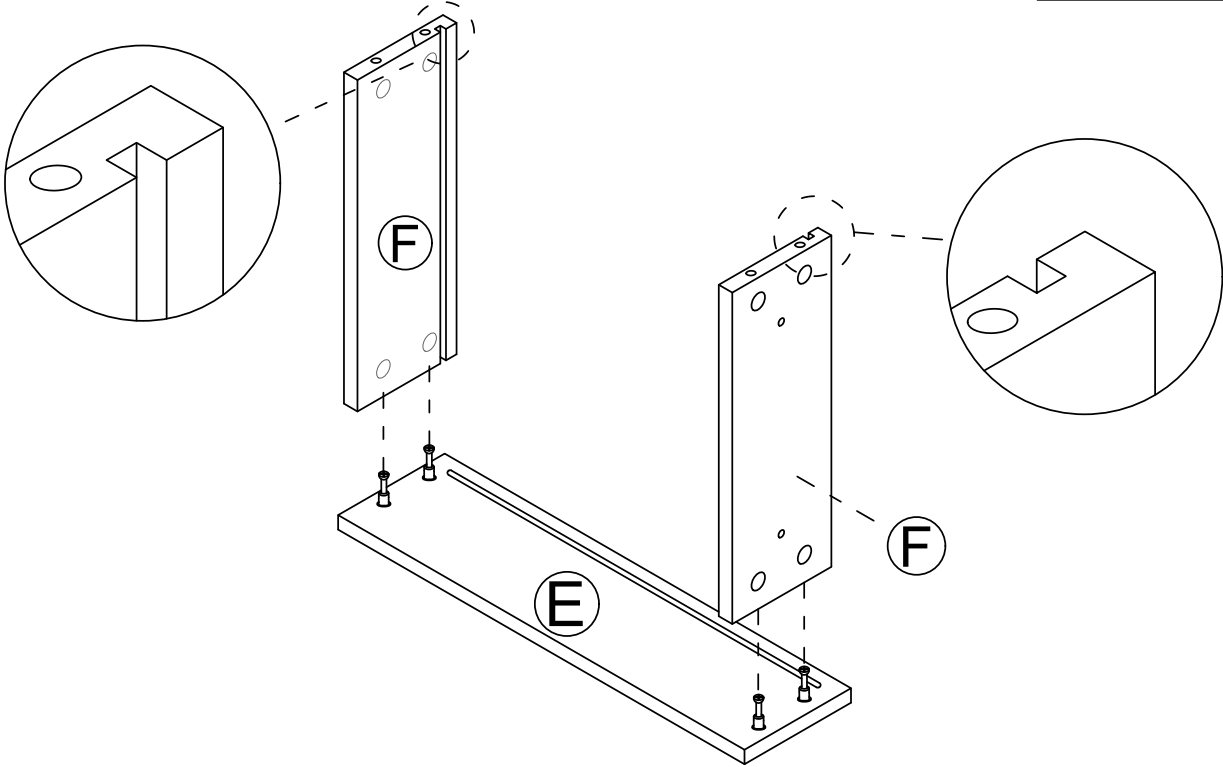
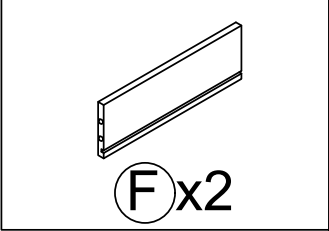
Step 7



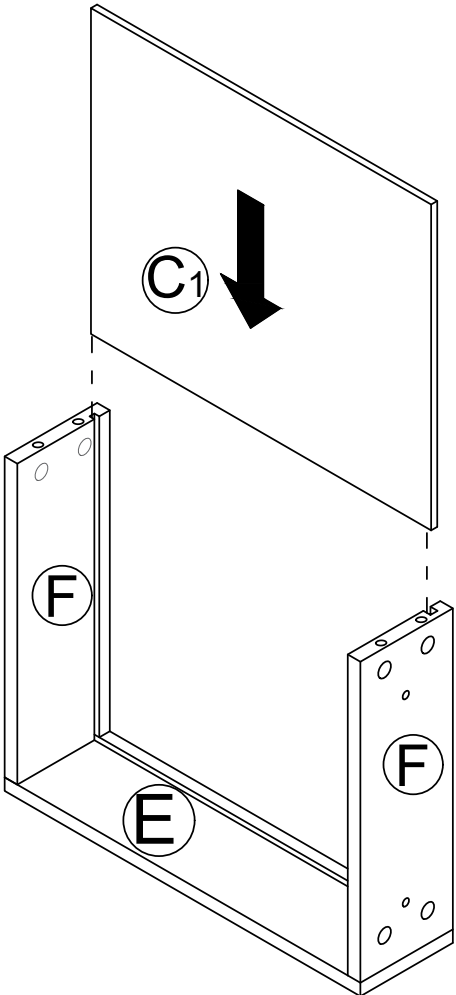
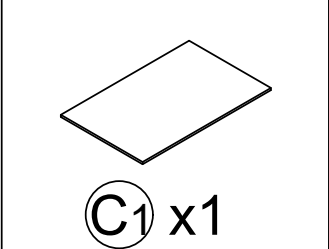
Step 8



Step 9

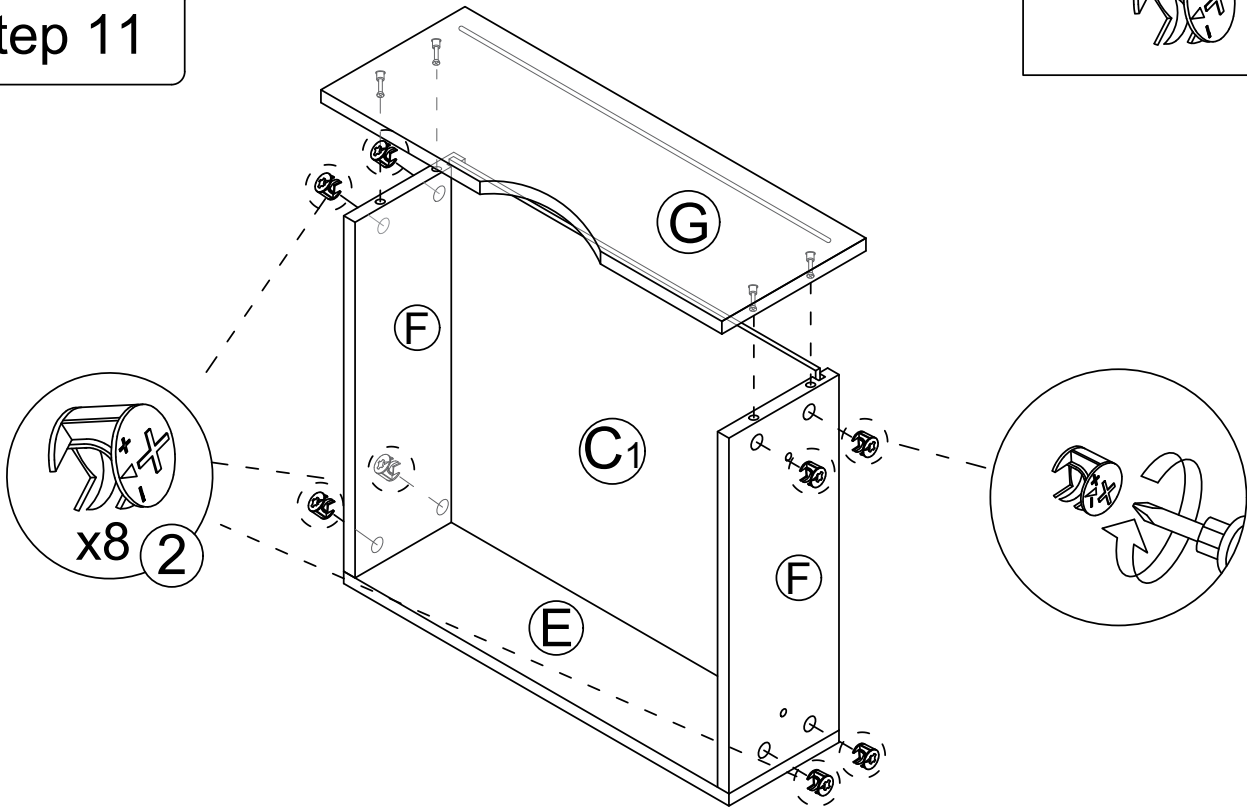


Step 10





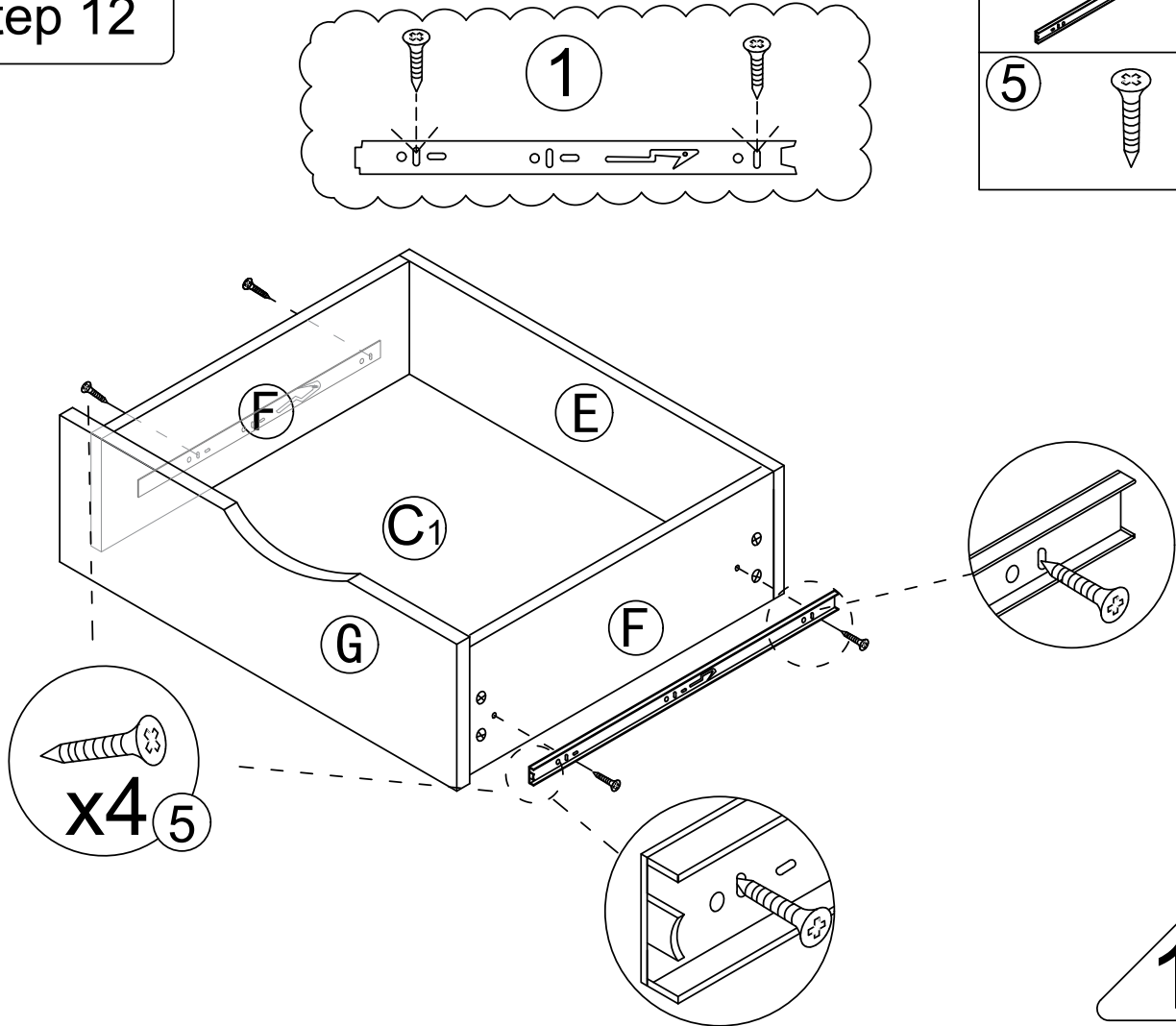
Step 11

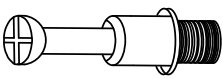







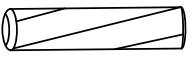

2  x8

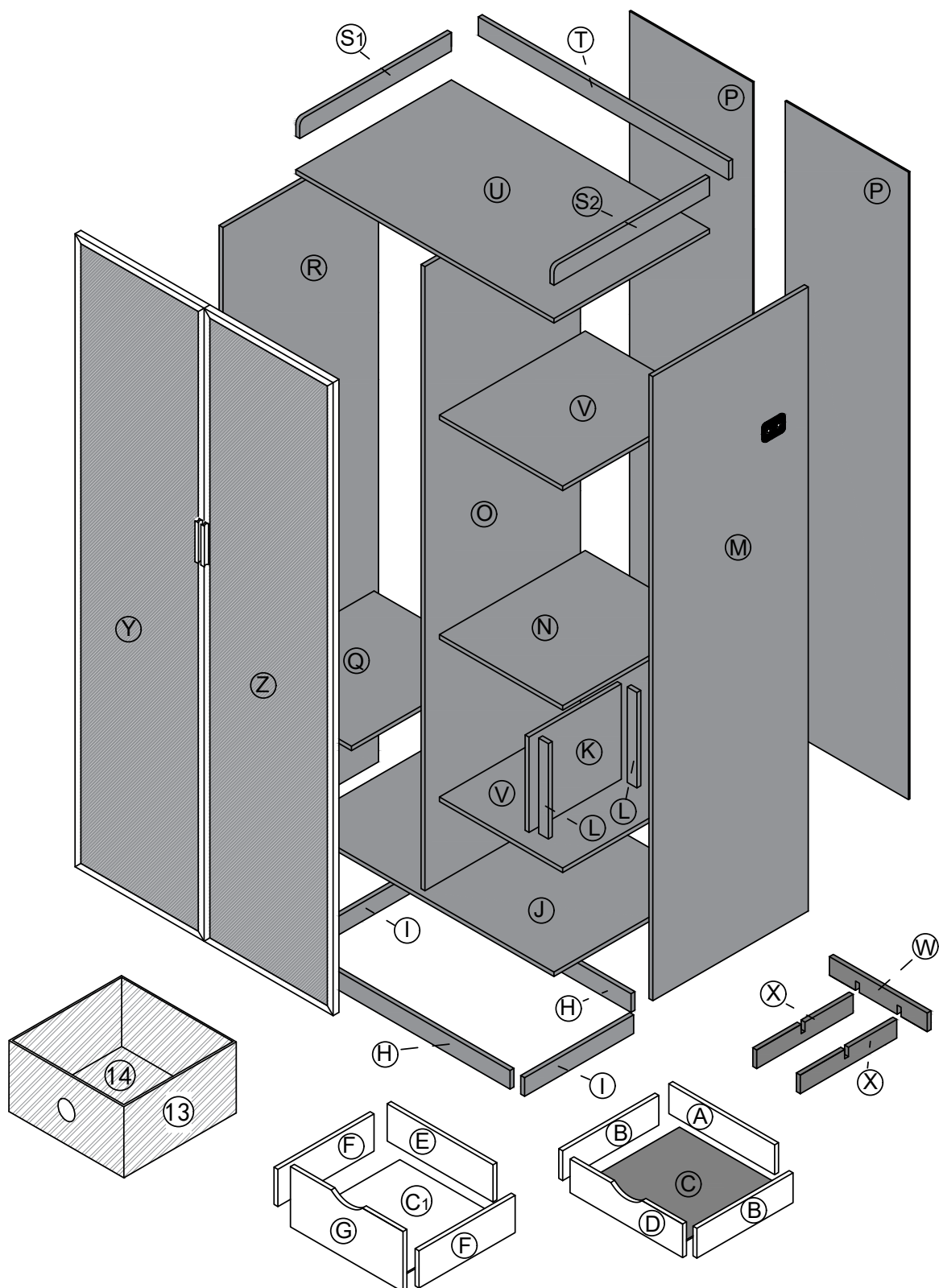


Step 12

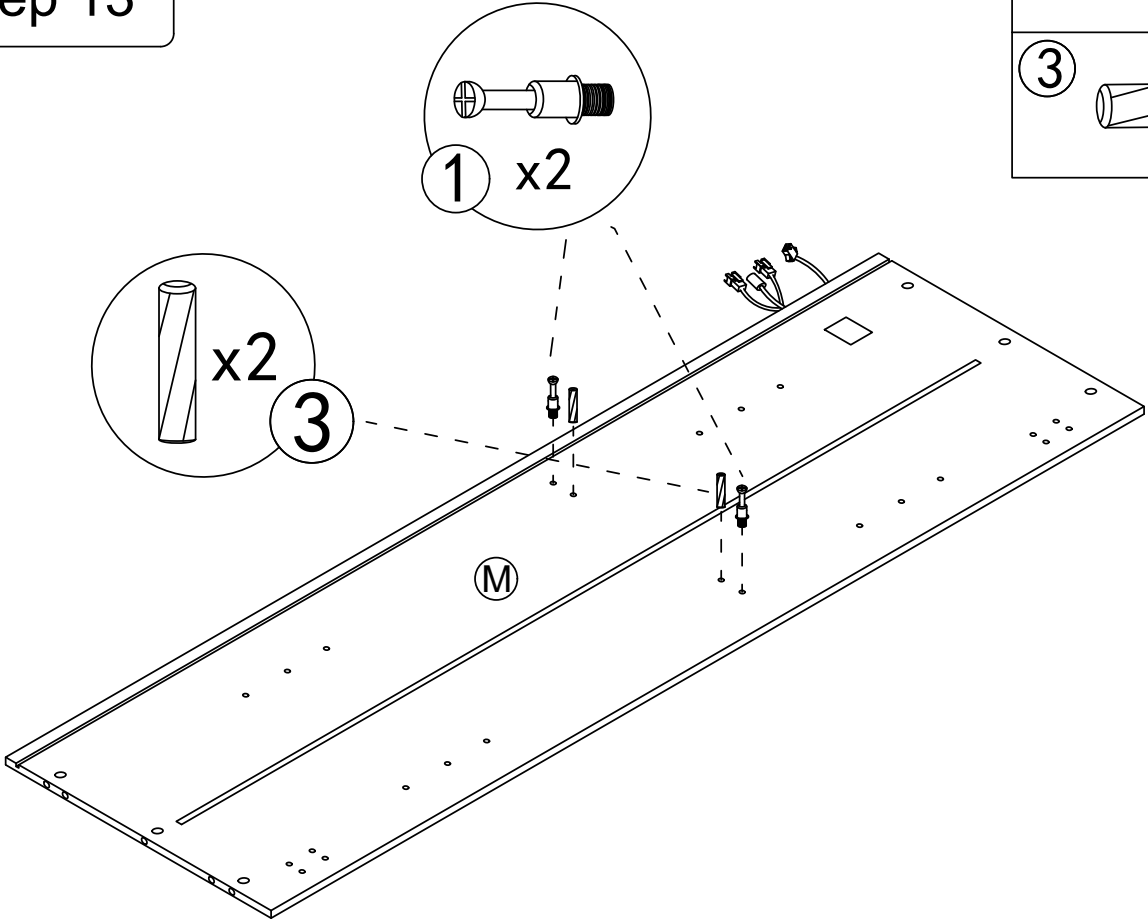
 x2
5  x4

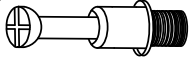
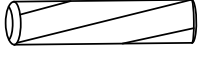


①		58pcs	⑤	 4pcs  12pcs	⑧		1pcs
②		58pcs	⑥	 2pcs  4pcs	⑨		8pcs
③		20pcs	⑦	 6pcs			

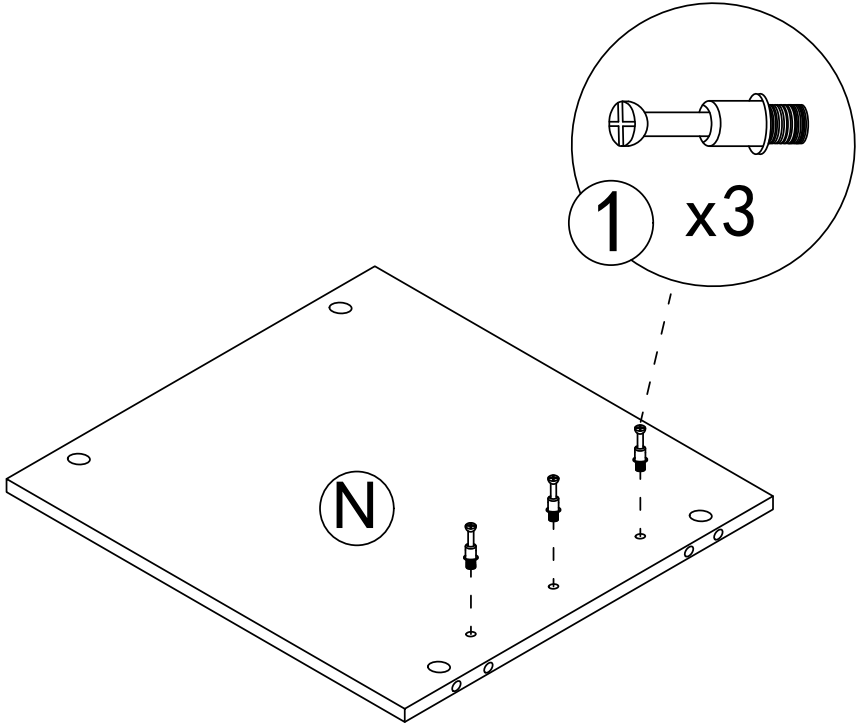


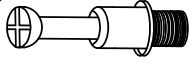
Step 13



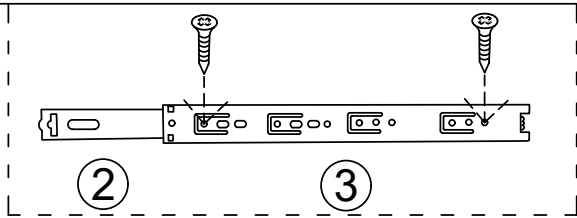
- ①  x2
- ③  x2

Step 14

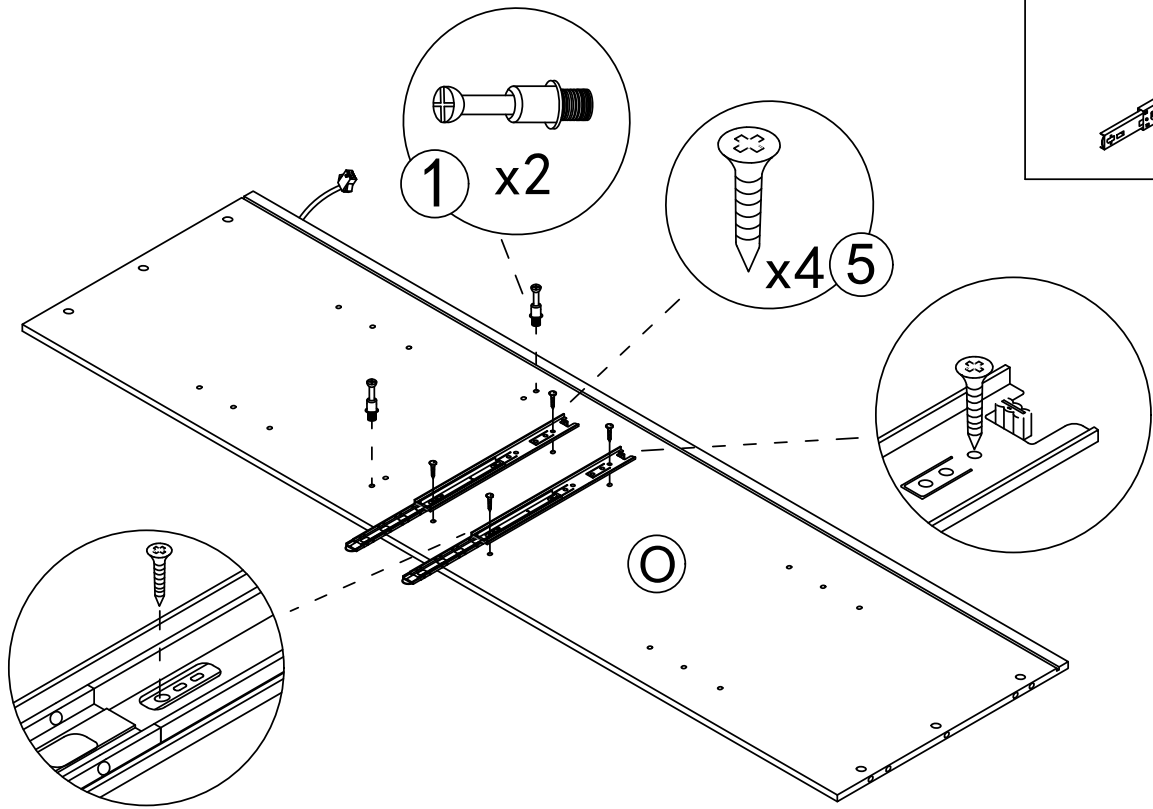


- ①  x3

Step 17

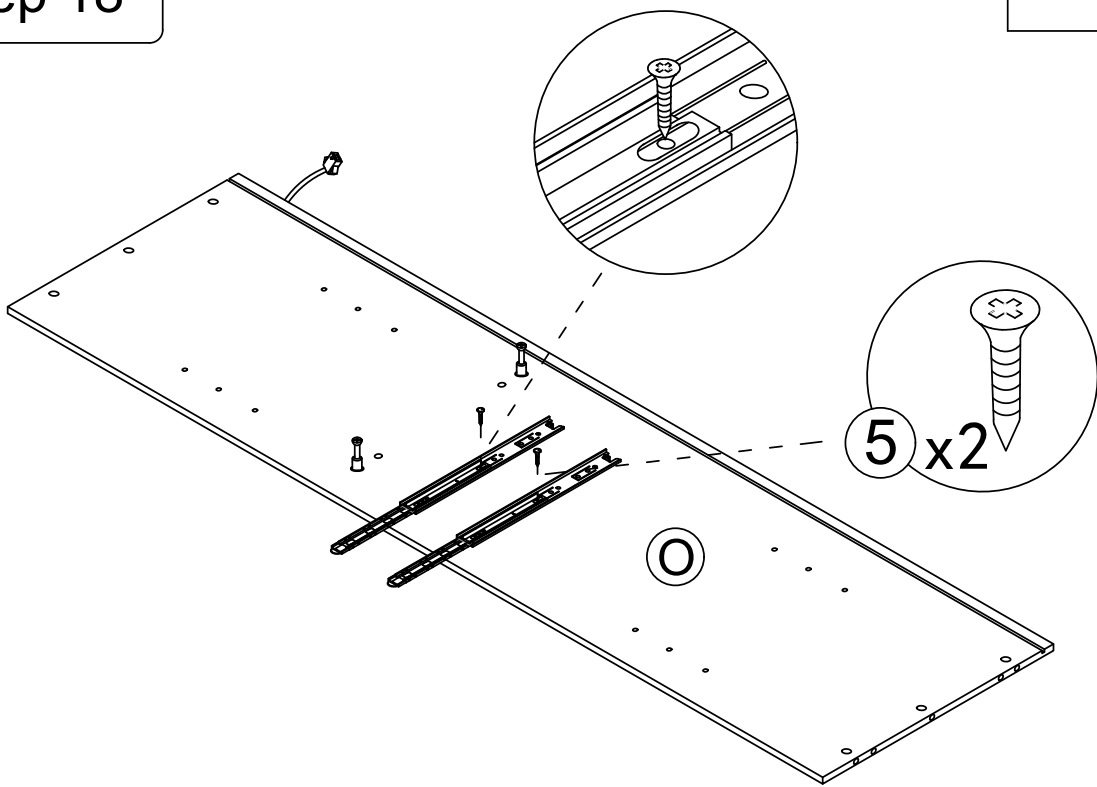


- 1 x2
- 5 x4
- 5 x2



Step 18

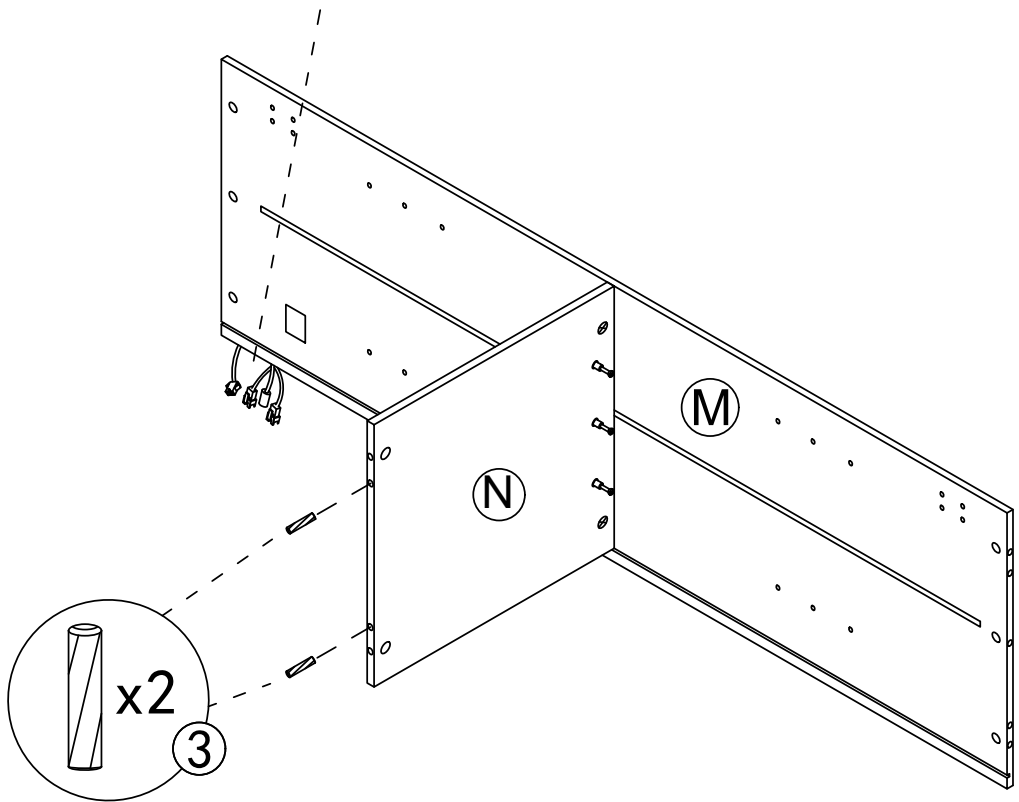
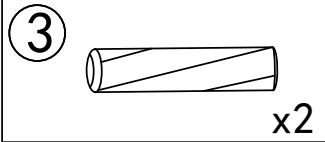
- 5 x2



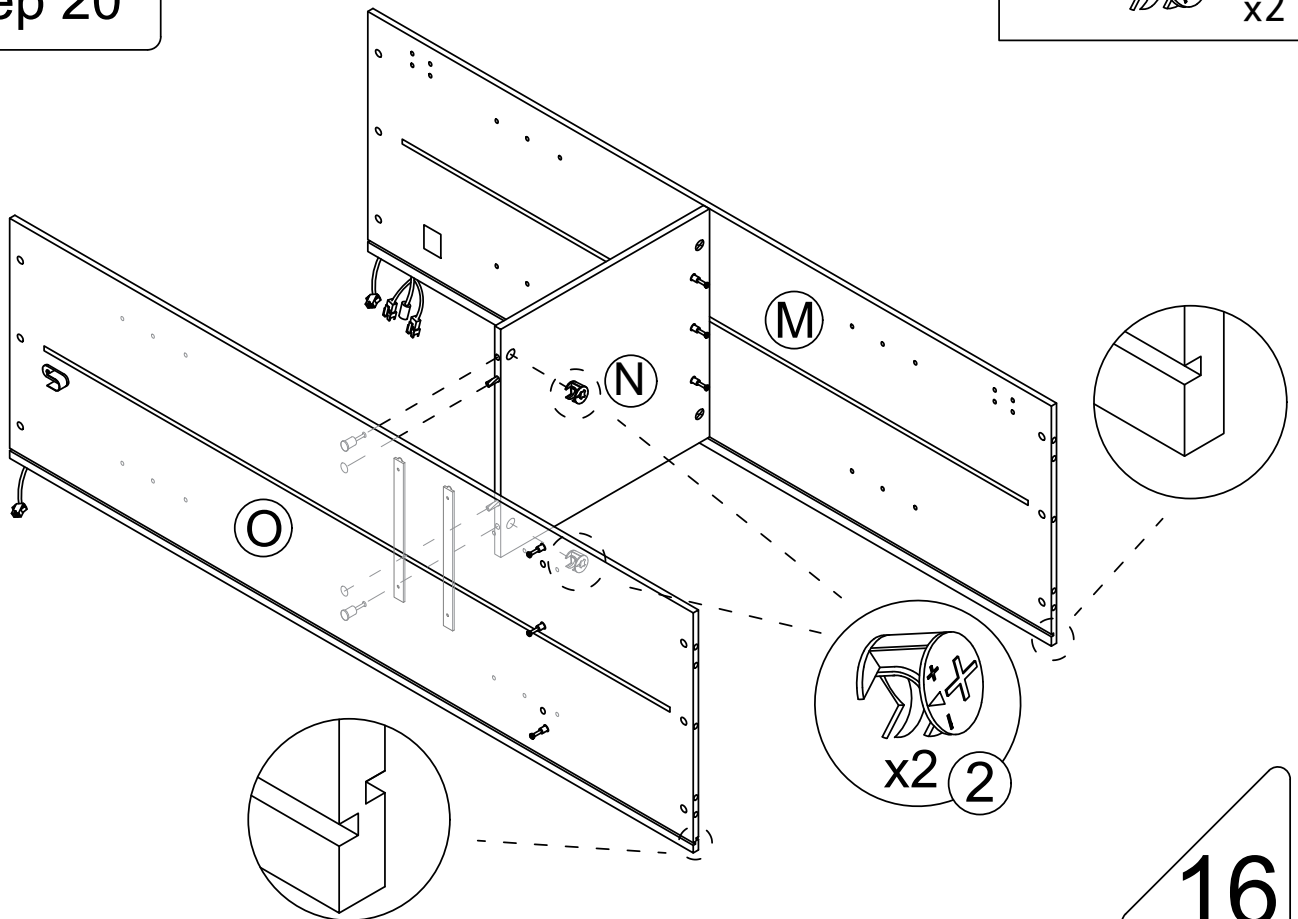
This hole is for strengthening fixed hole customers can choose to install according to their needs.

Step 19

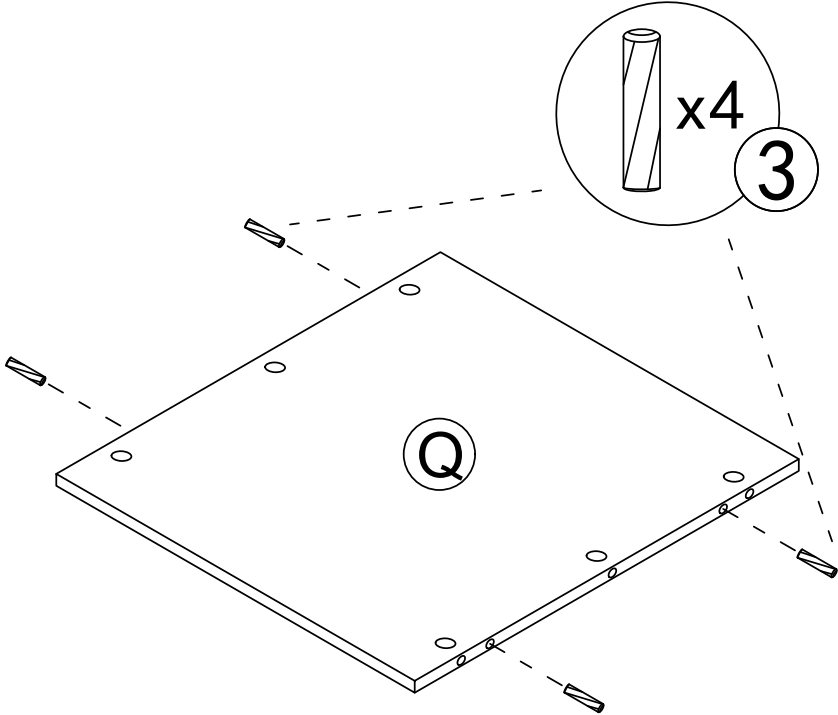
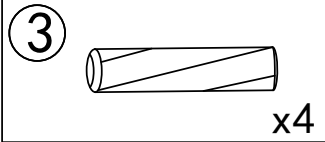
Do not press onto the light line



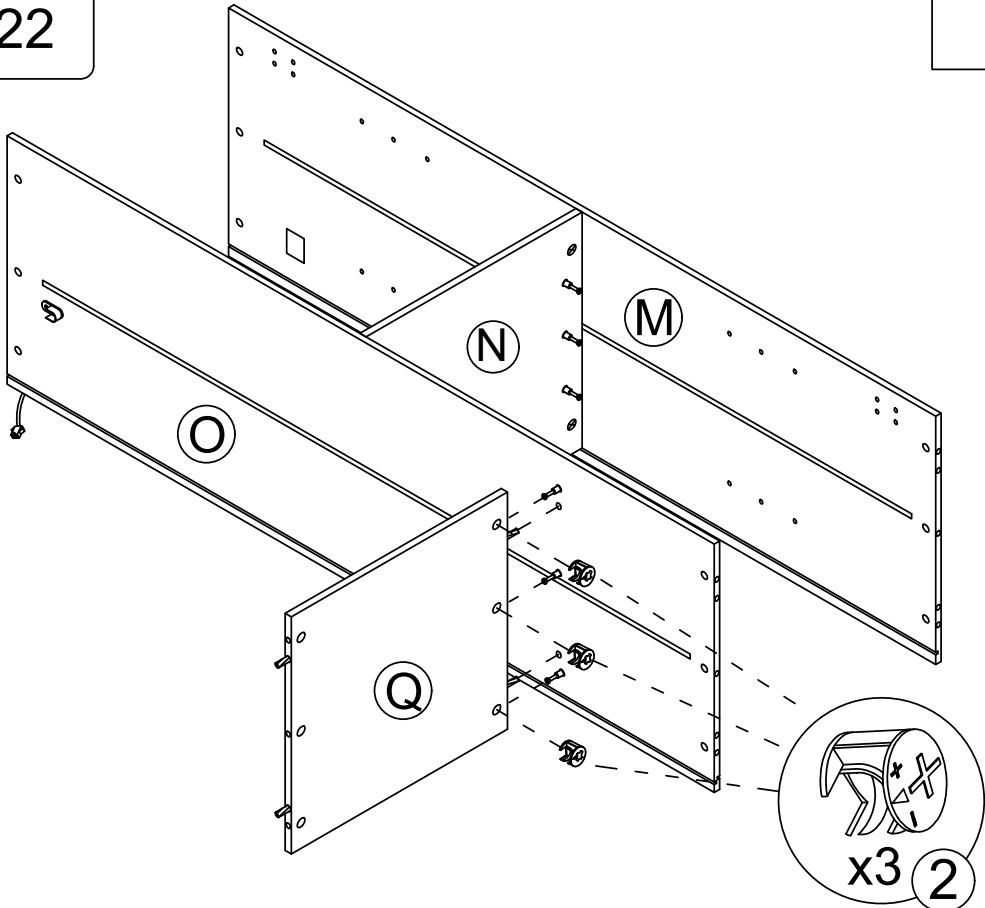
Step 20



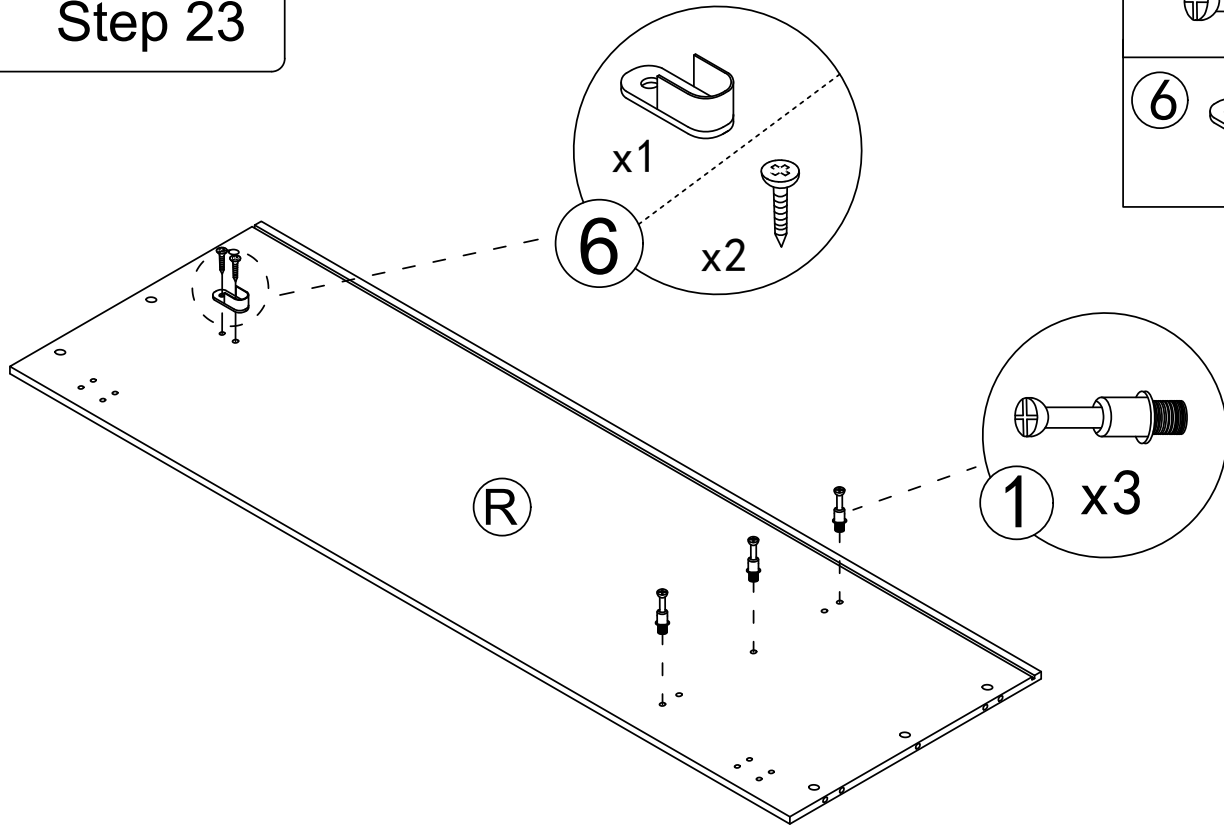
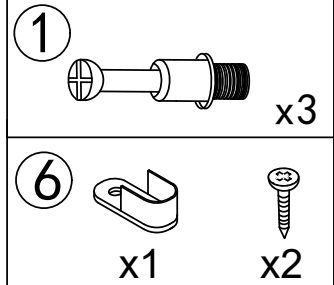
Step 21



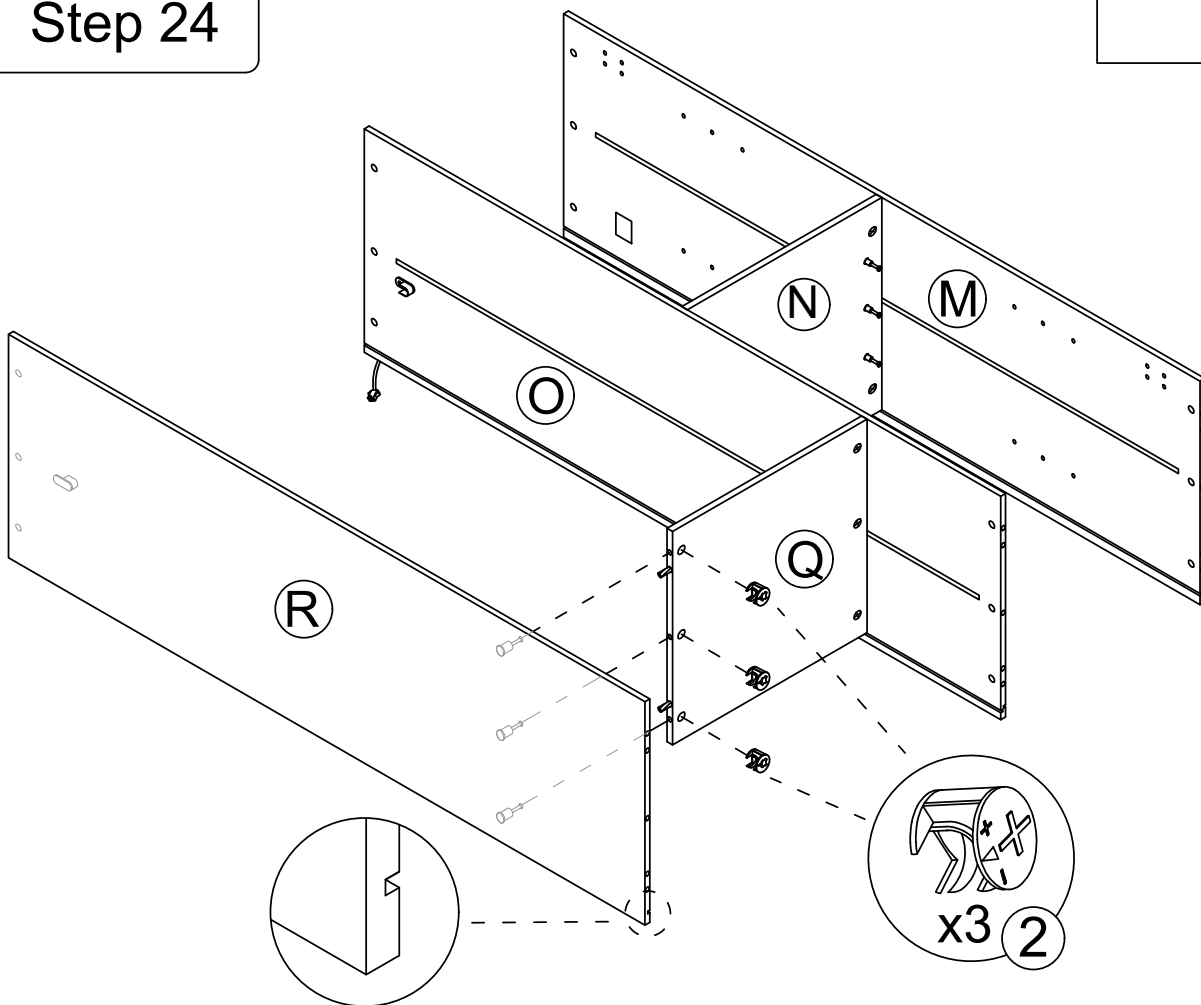
Step 22



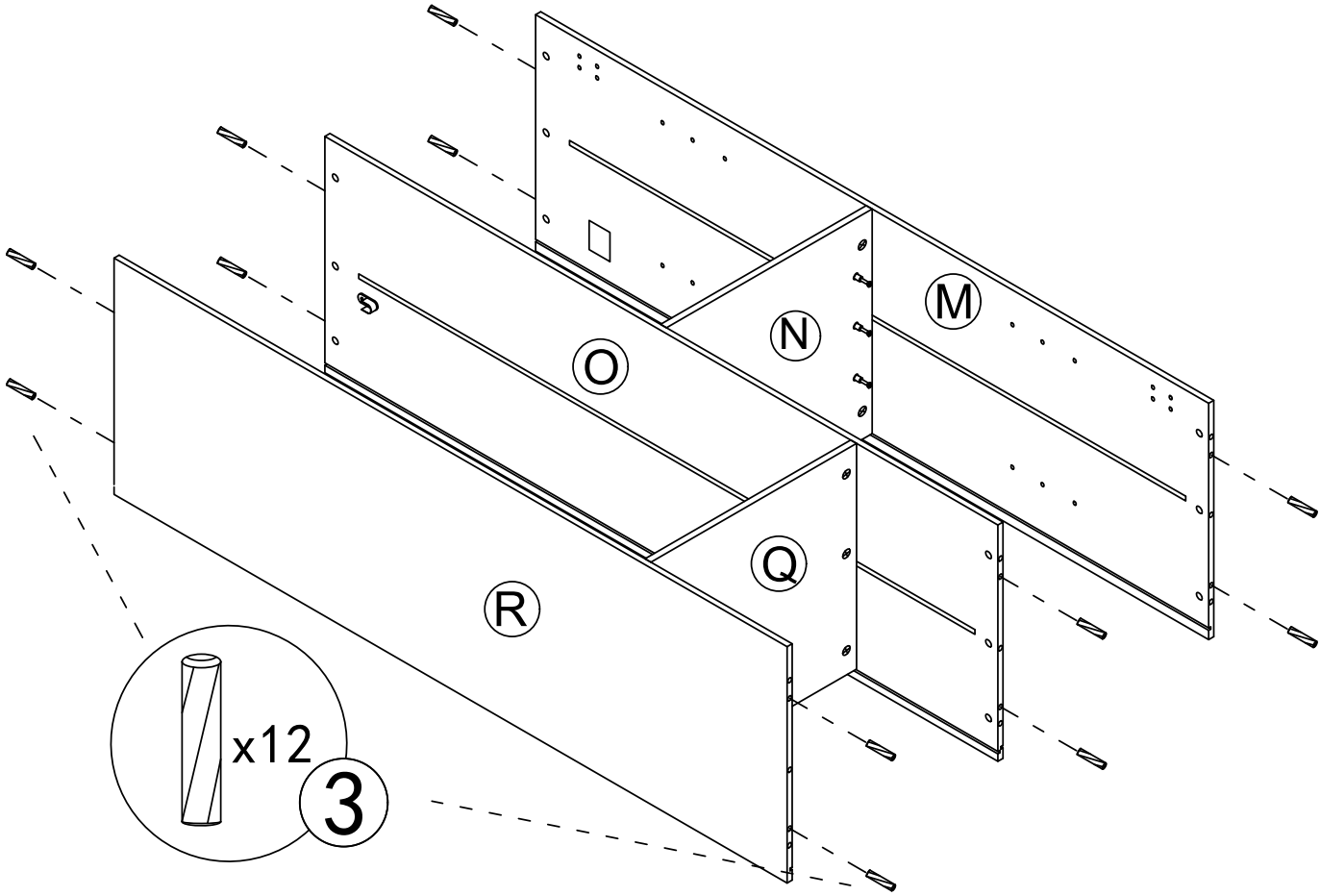
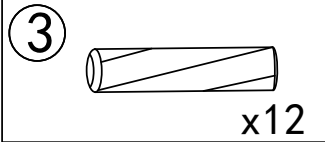
Step 23



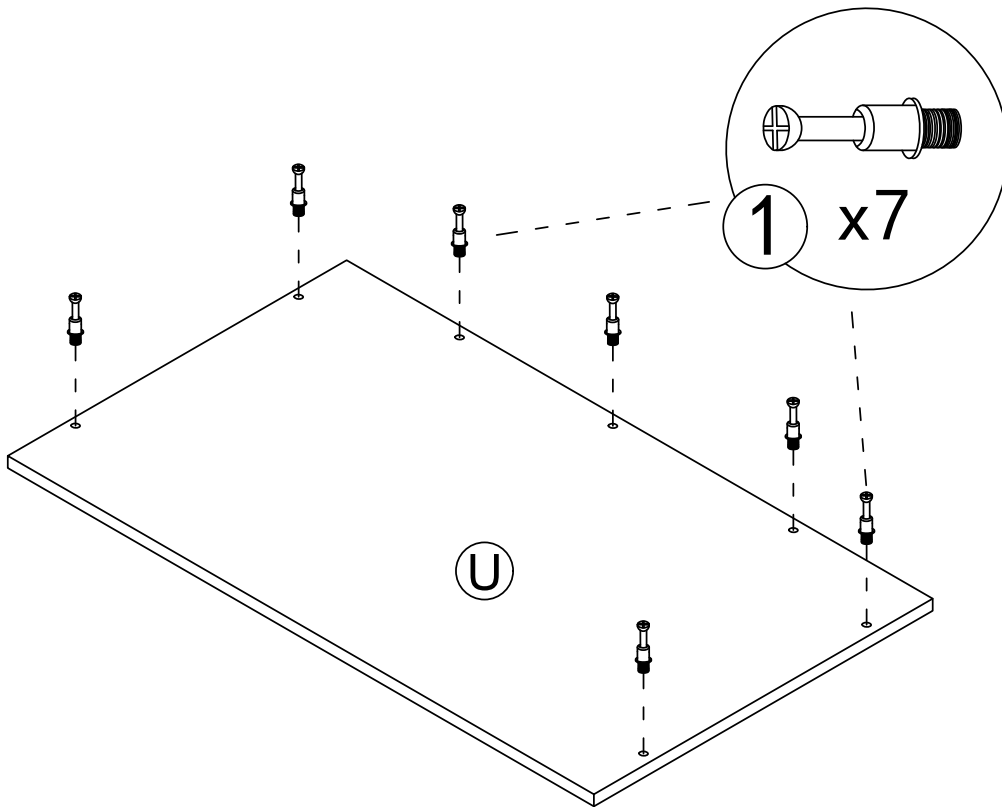
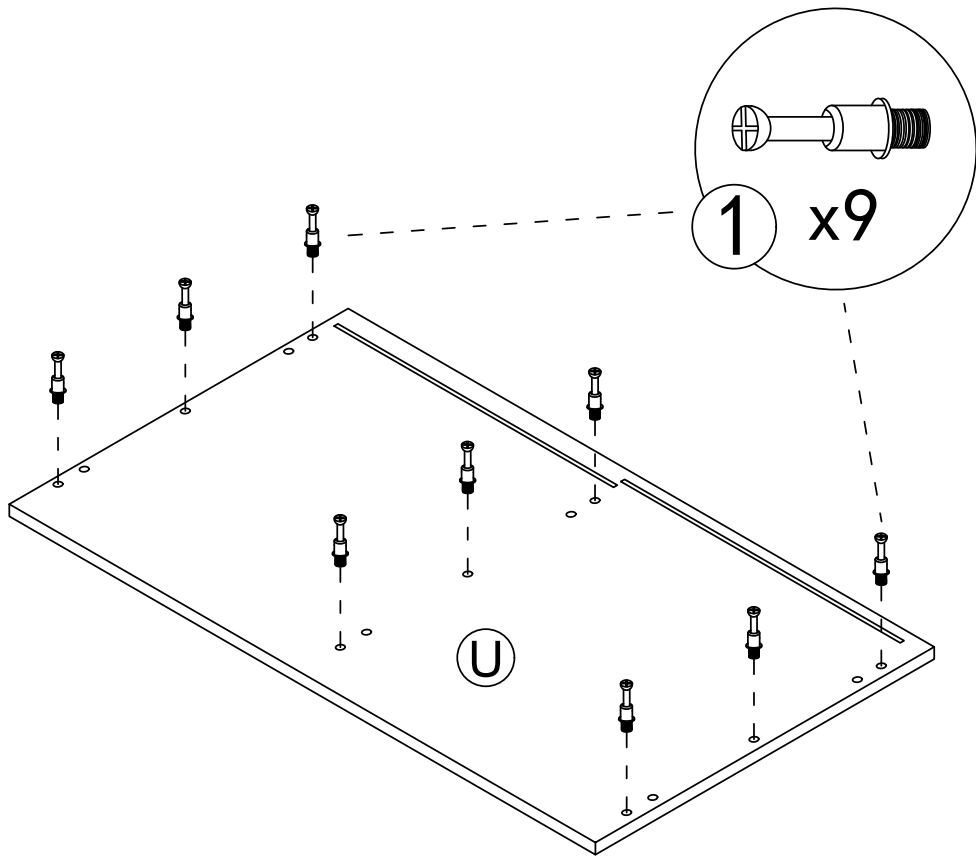
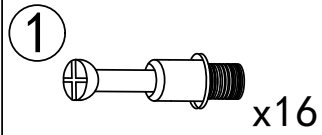
Step 24



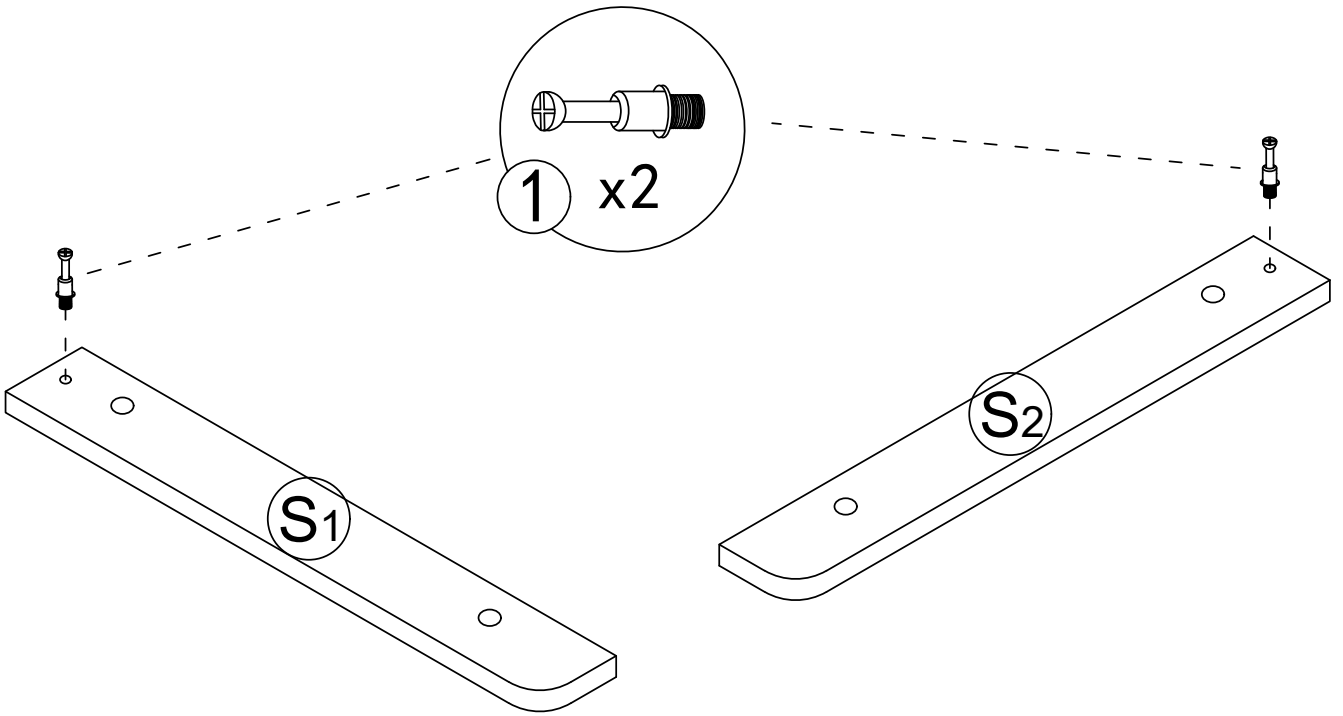
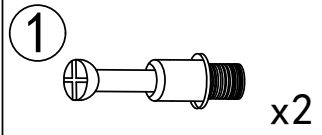
Step 25



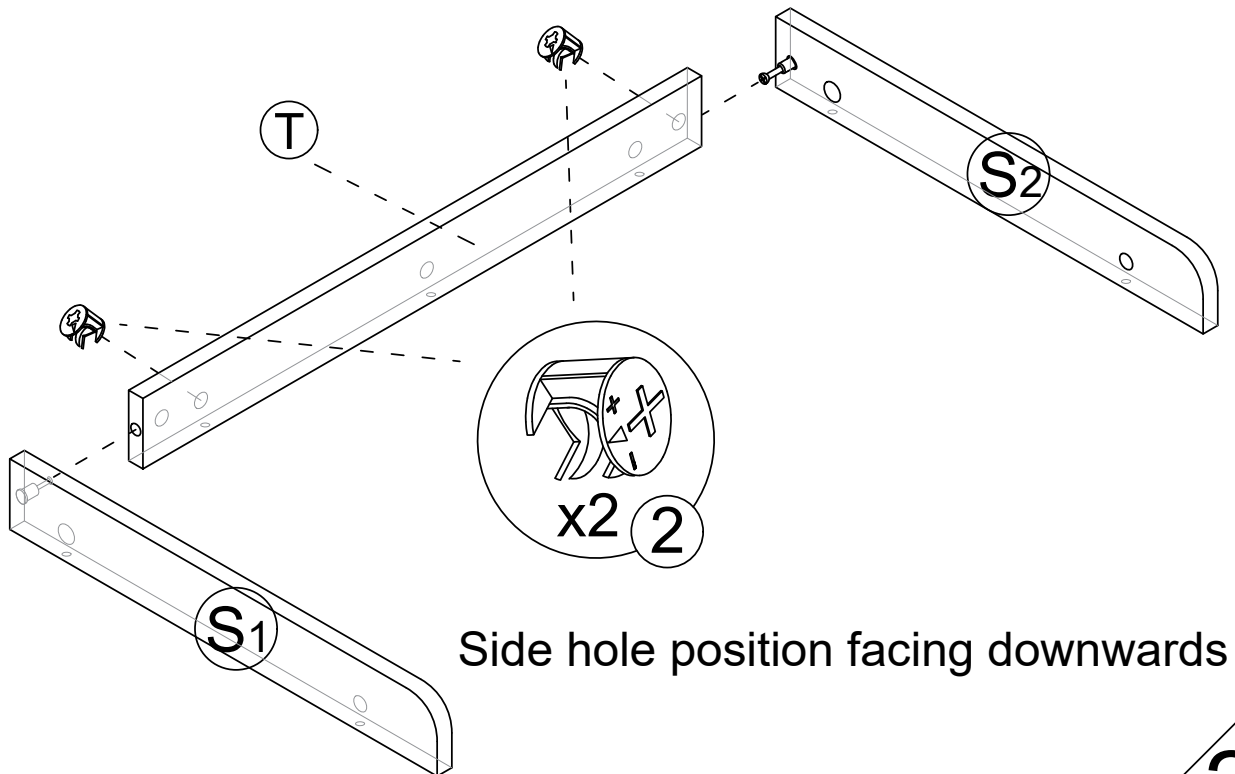
Step 26



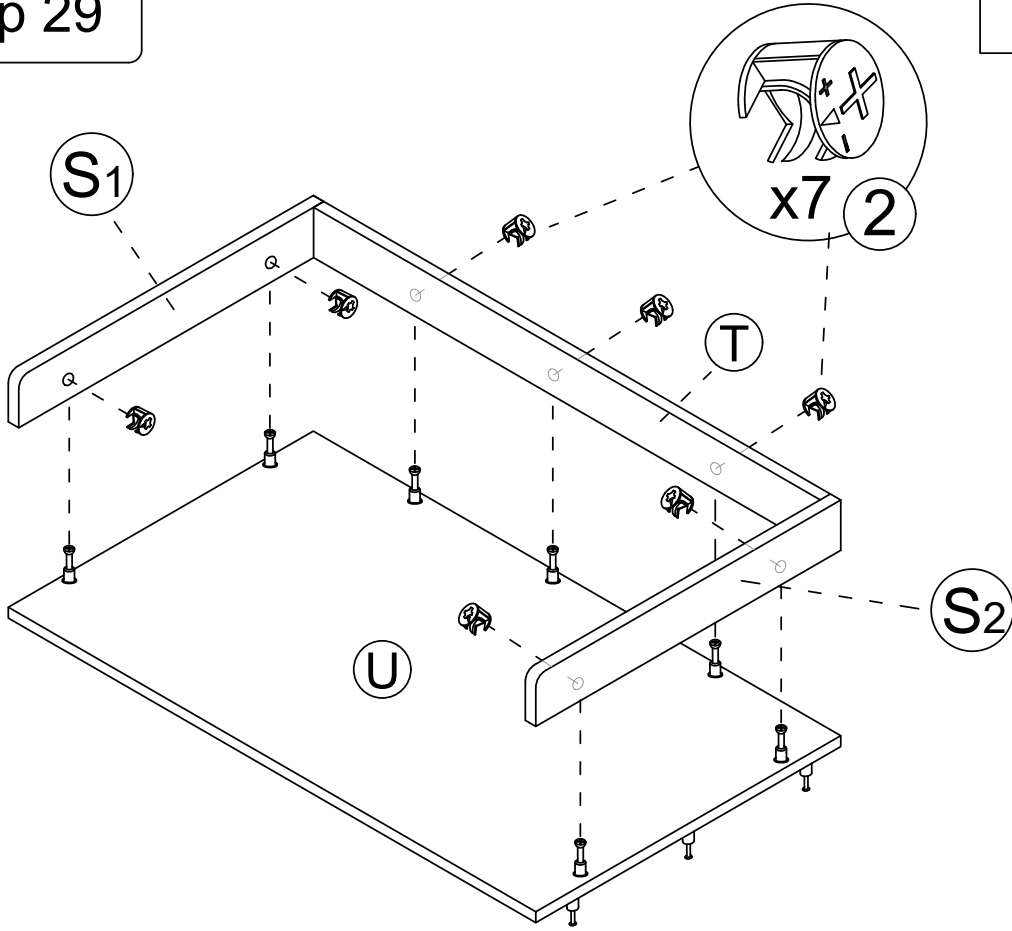
Step 27



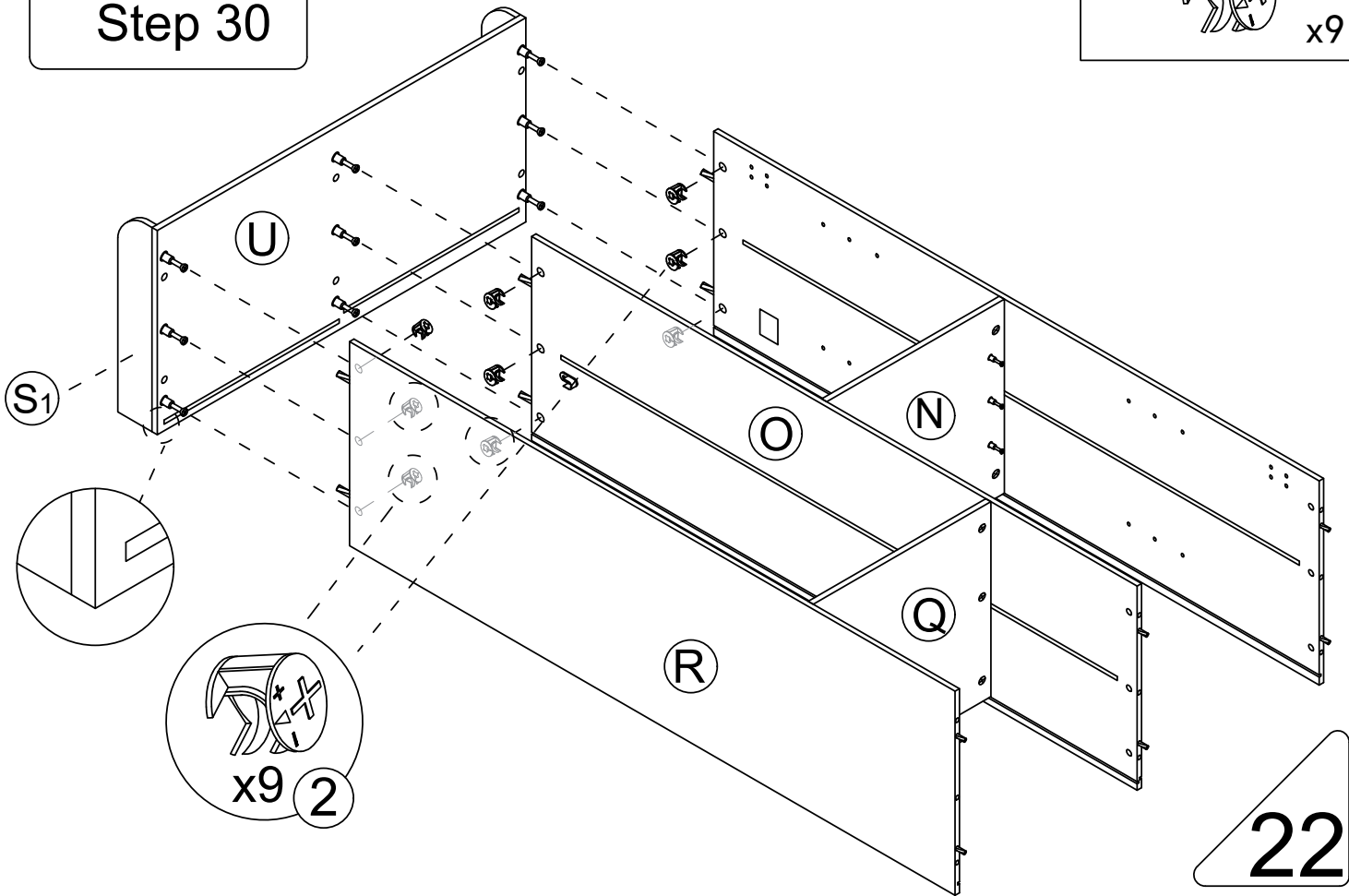
Step 28



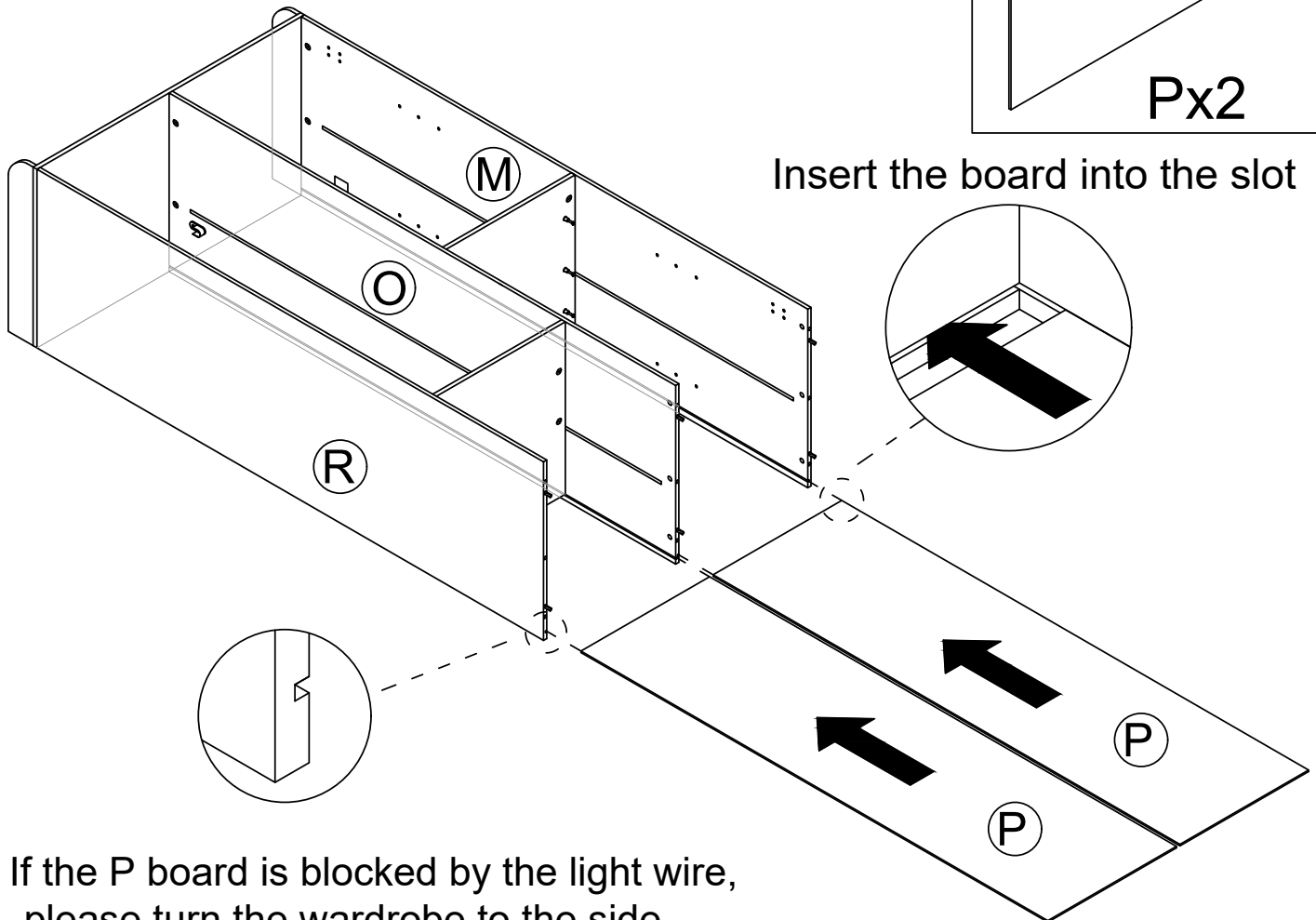
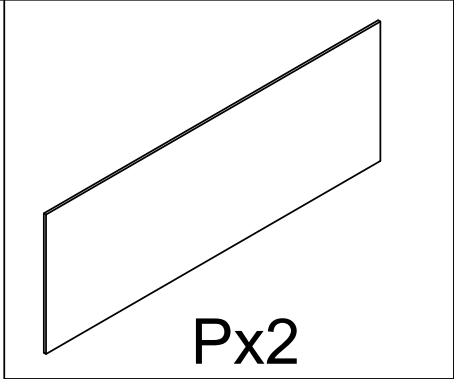
Step 29



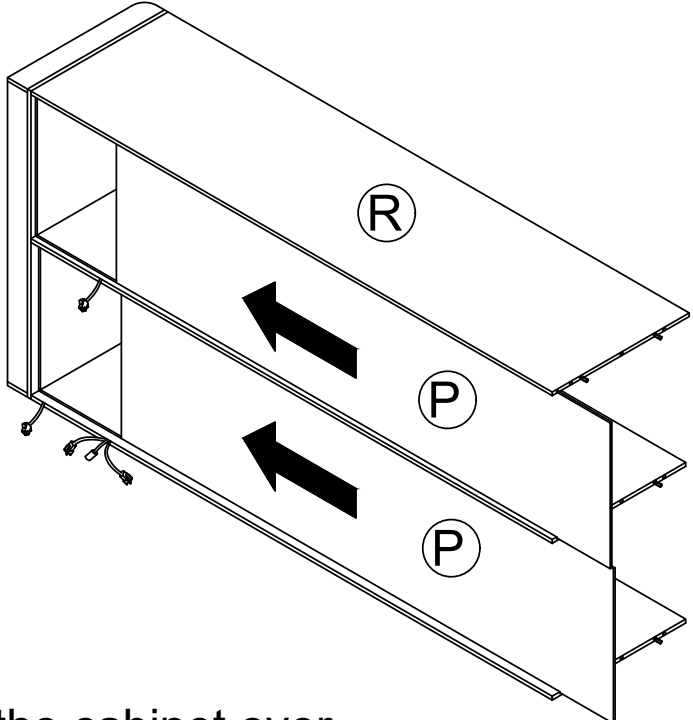
Step 30



Step 31

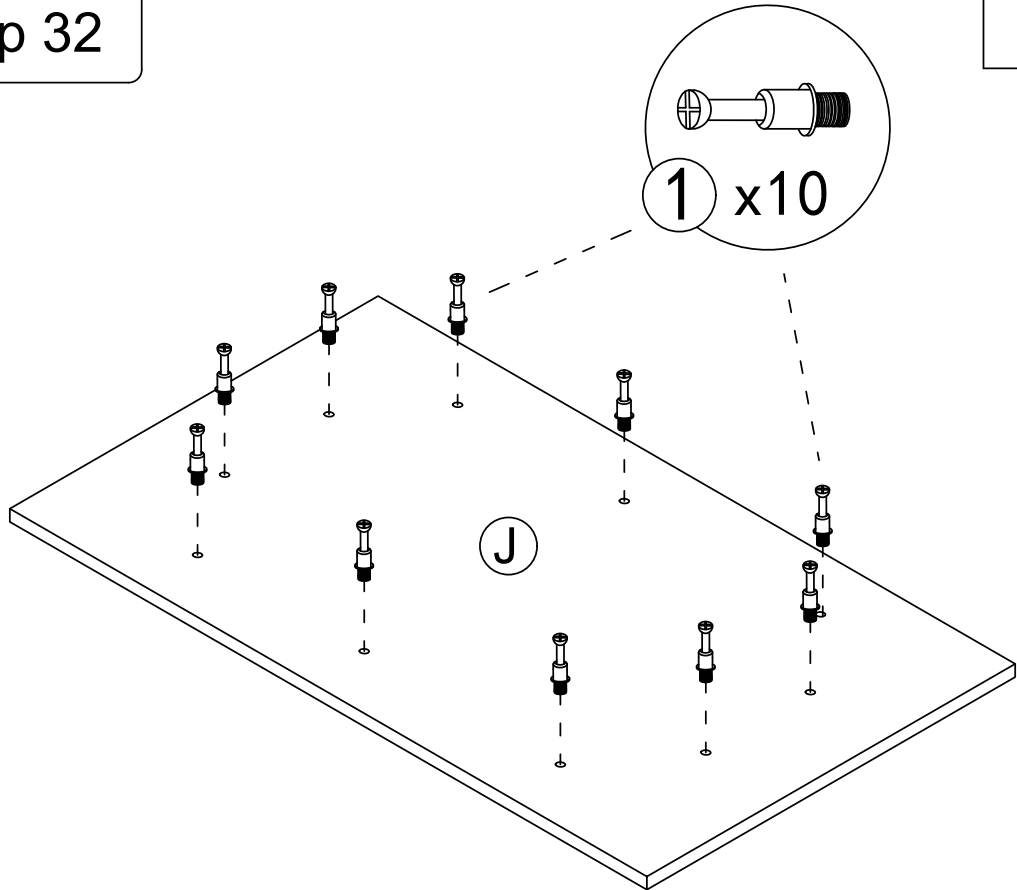
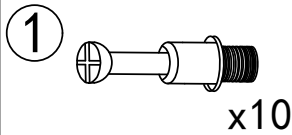


If the P board is blocked by the light wire, please turn the wardrobe to the side

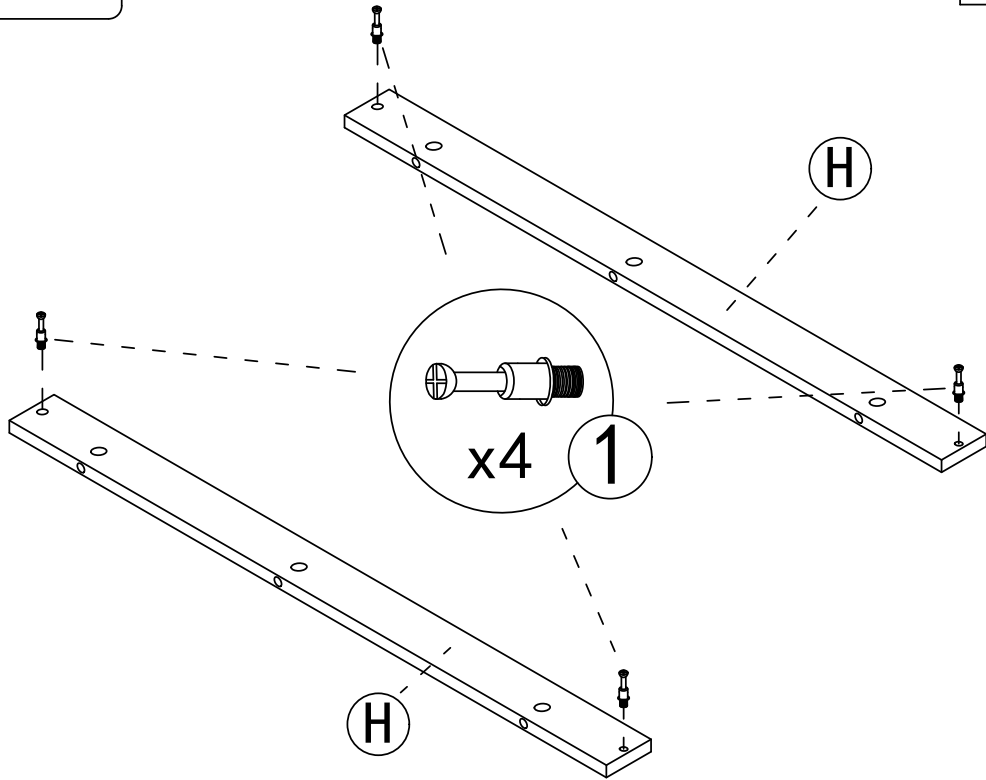
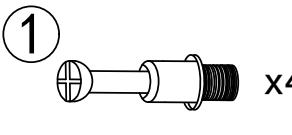


When turning the cabinet over, the P board should be in the slot as a support point

Step 32



Step 33

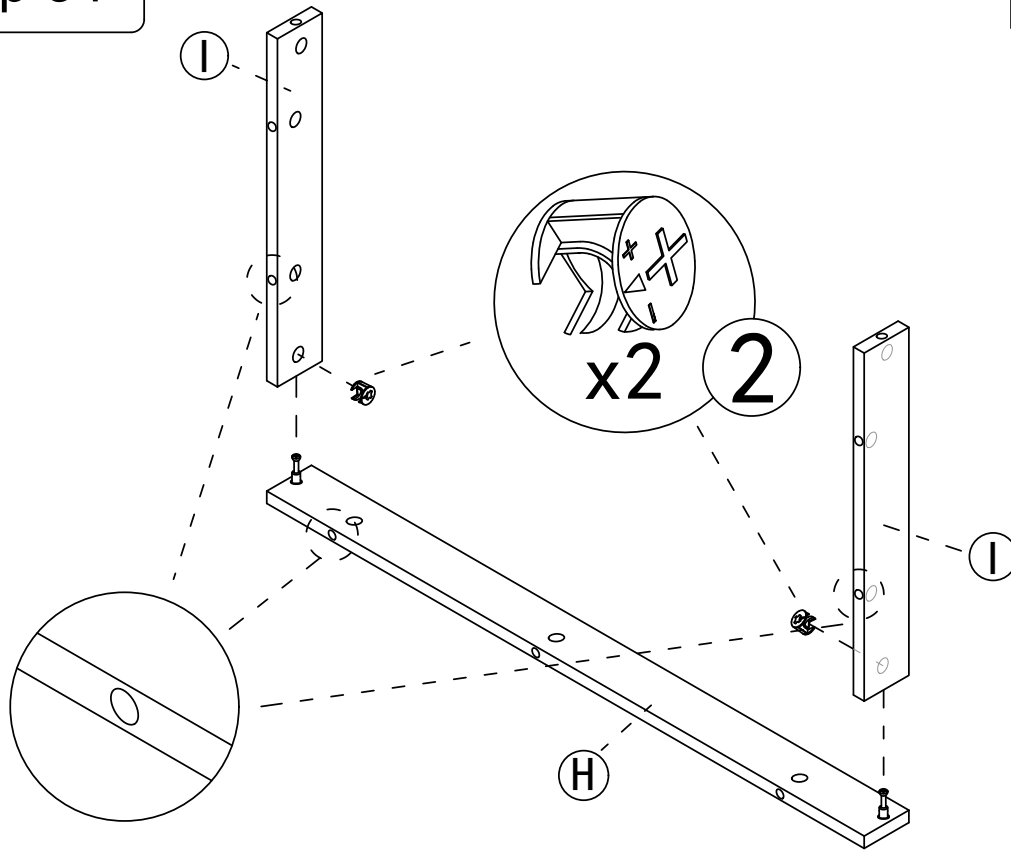


Step 34

2



x2

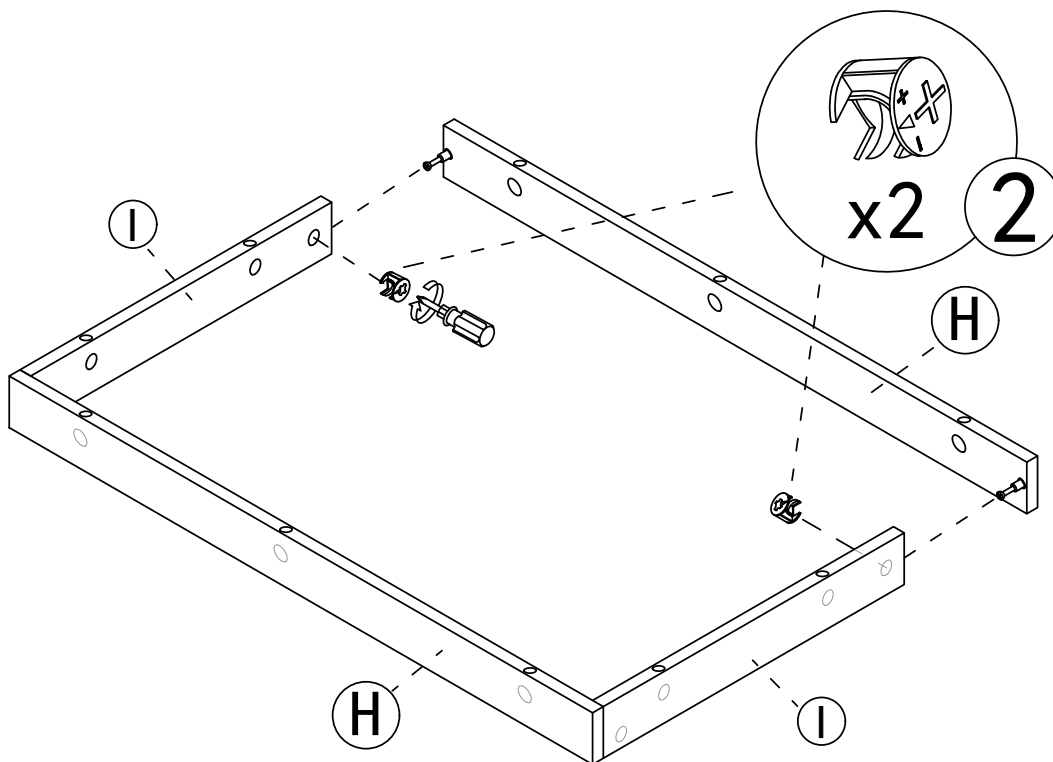


Step 35


2

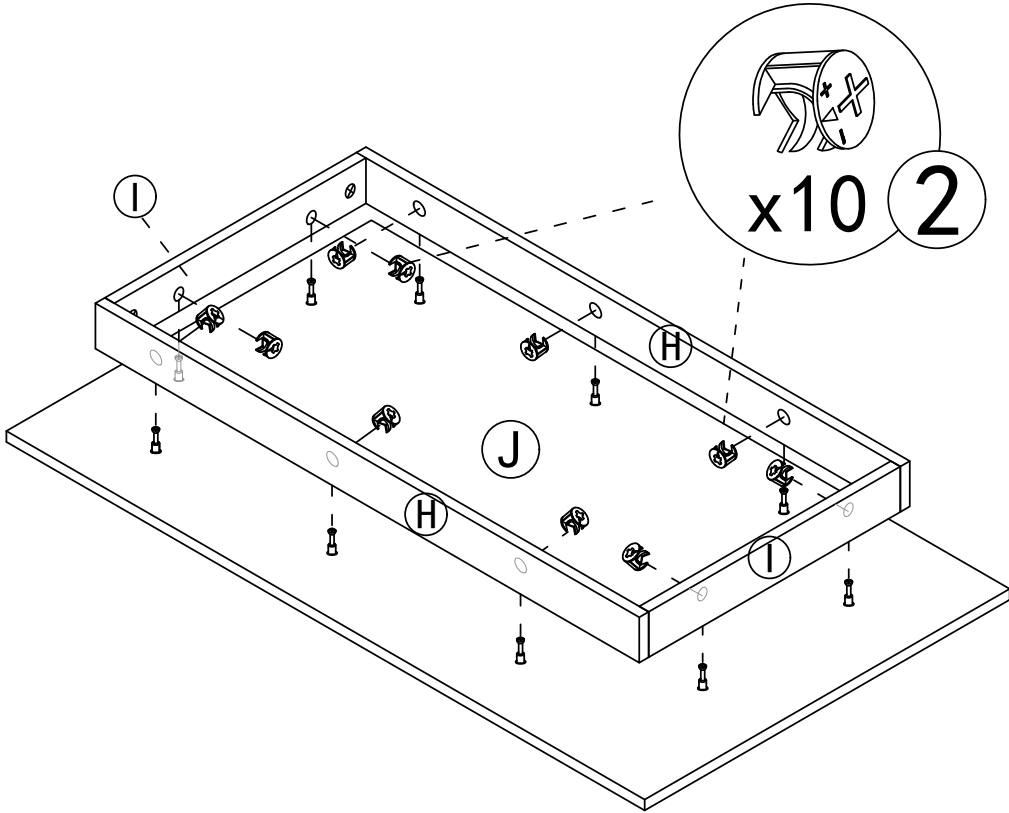


x2

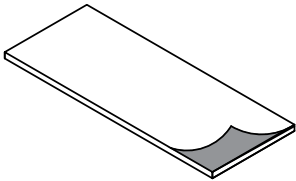


Step 36

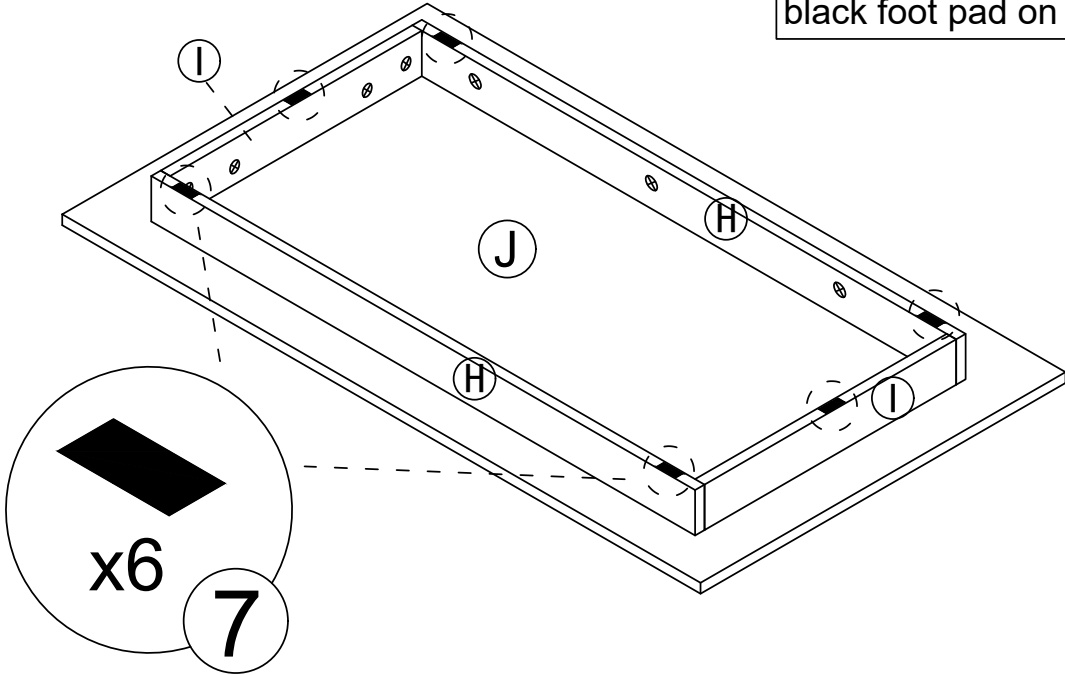
2  x10



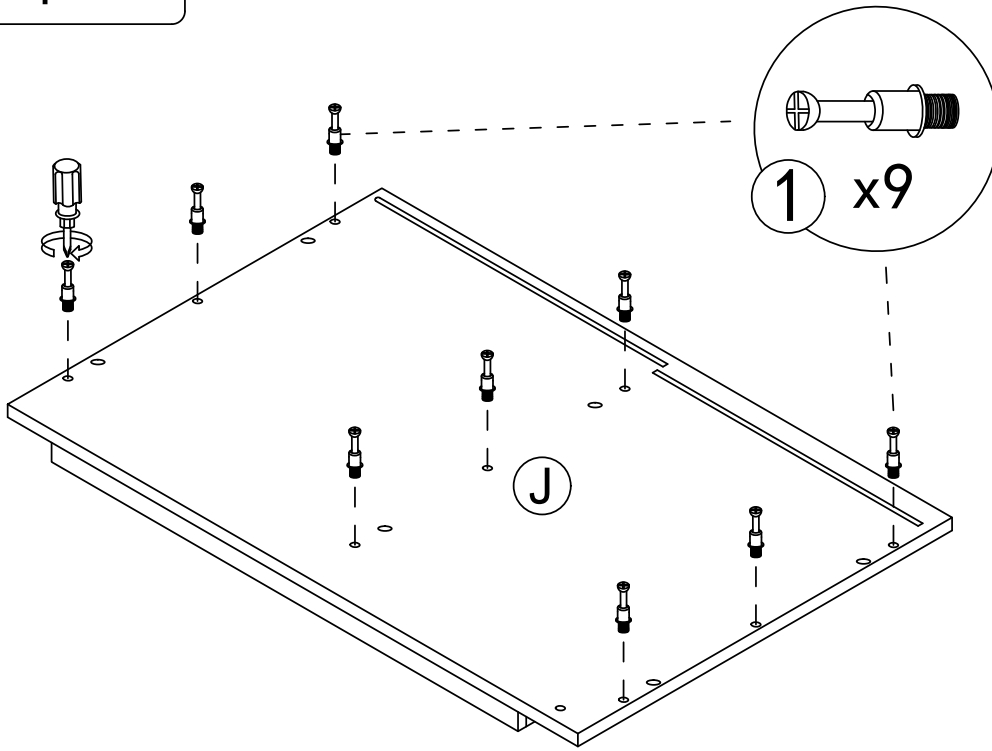
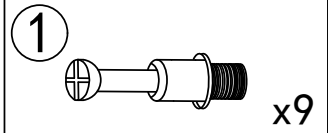
Step 37

7  x6

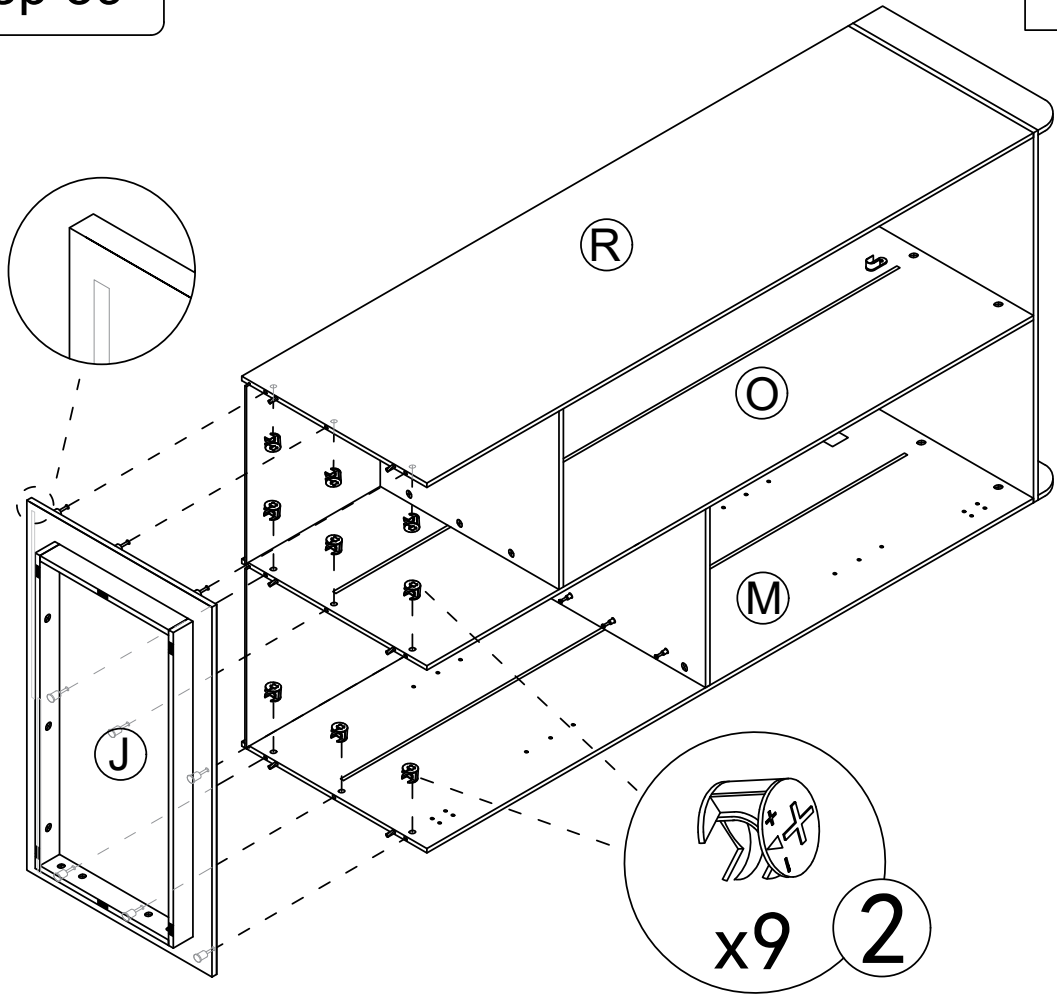
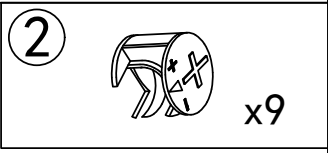
Tear off release paper and stick the black foot pad on the board



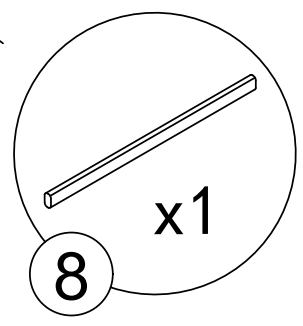
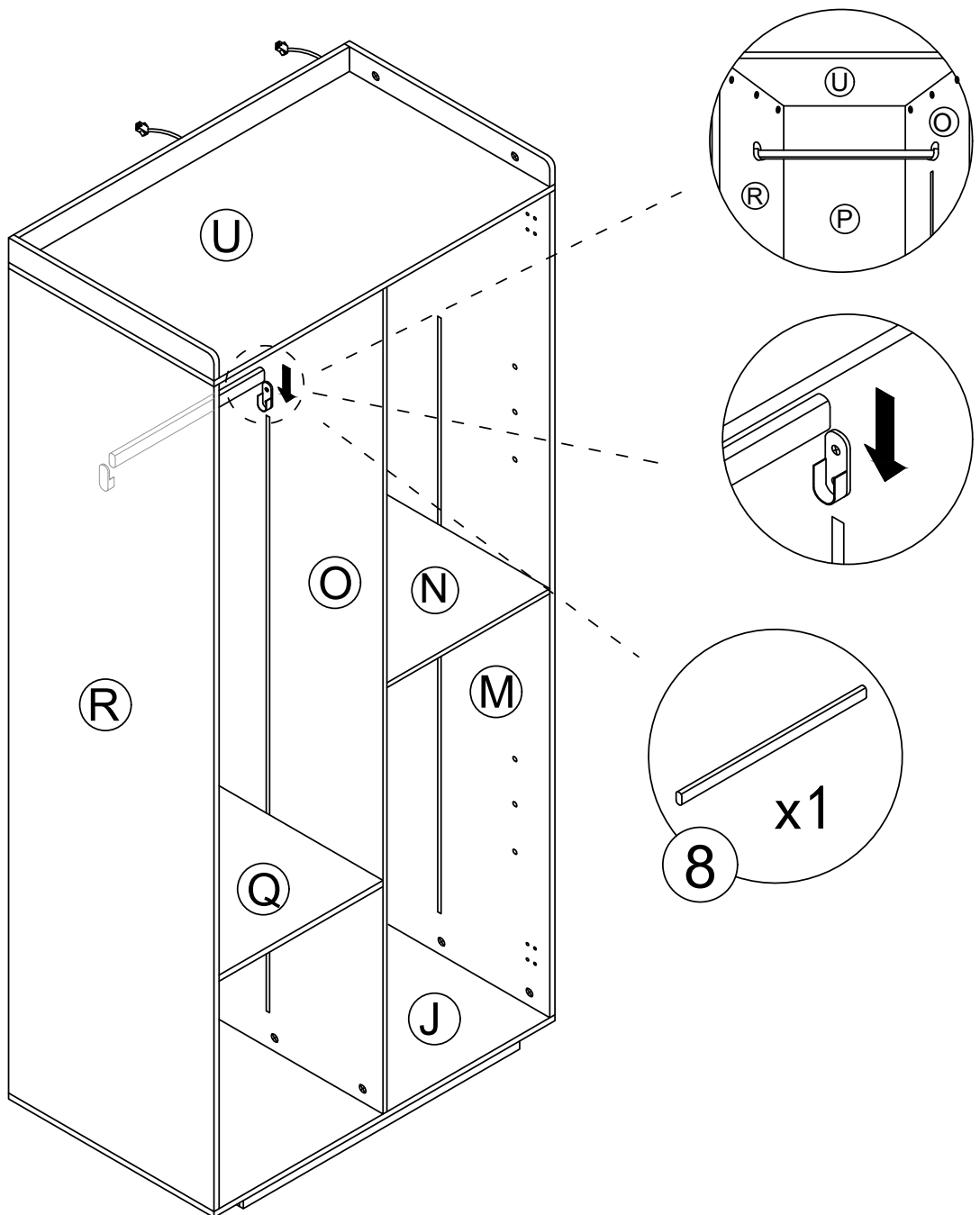
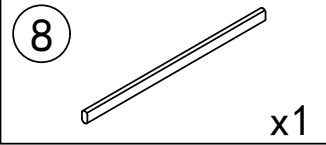
Step 38



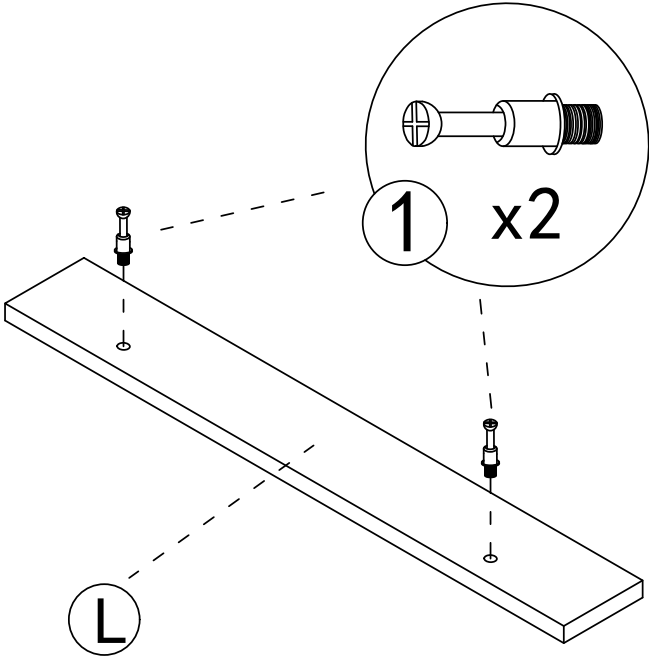
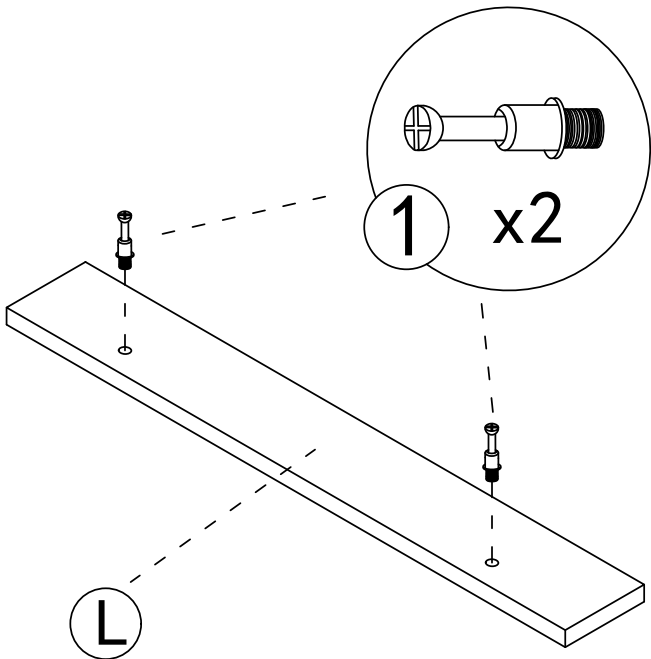
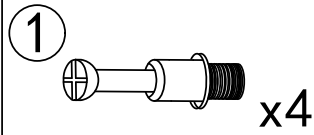
Step 39



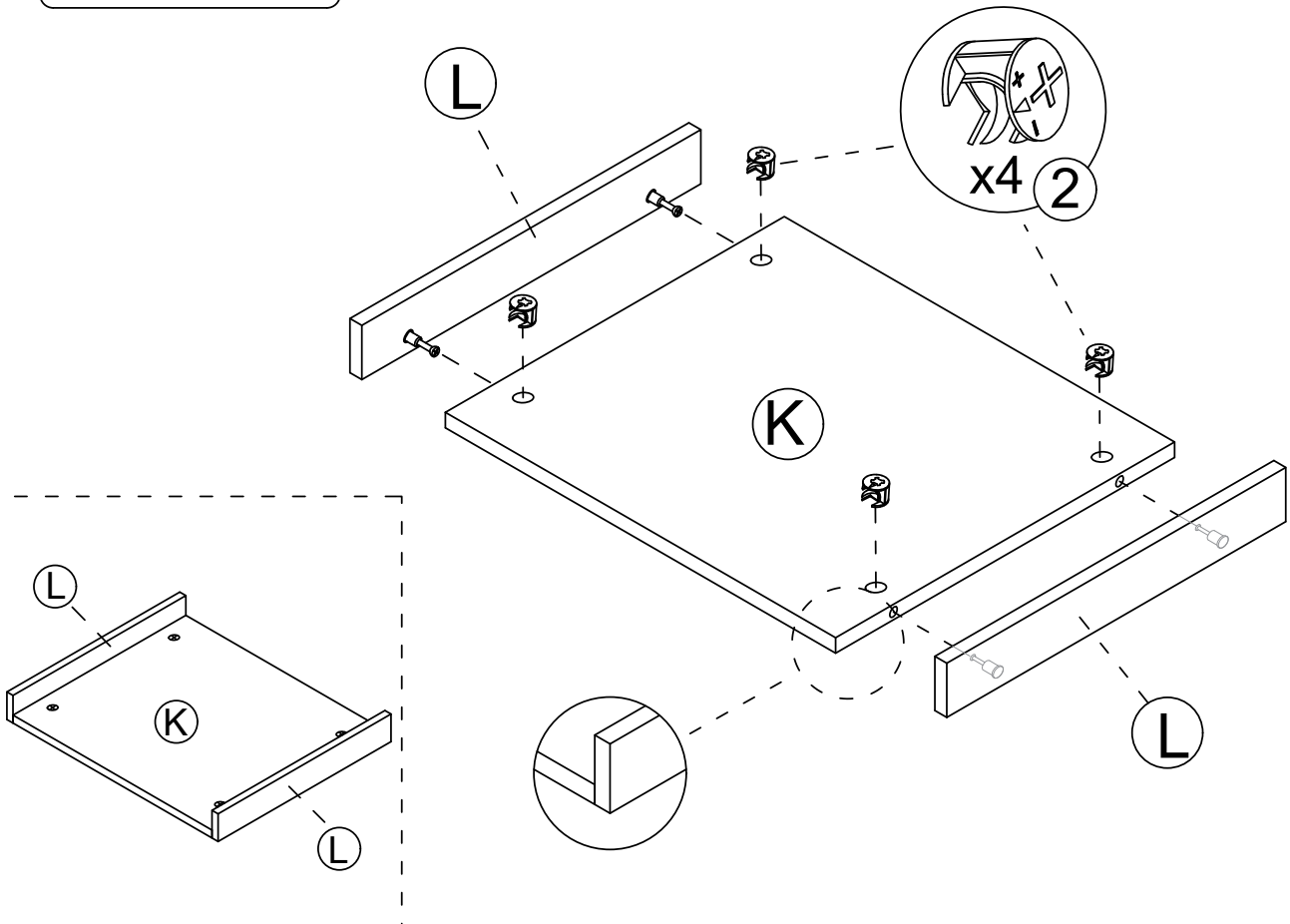
Step 40



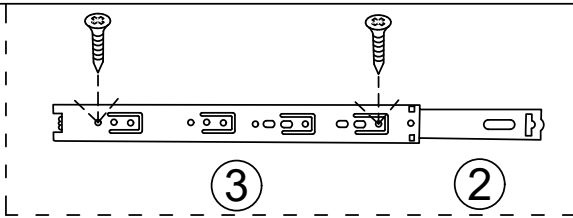
Step 41



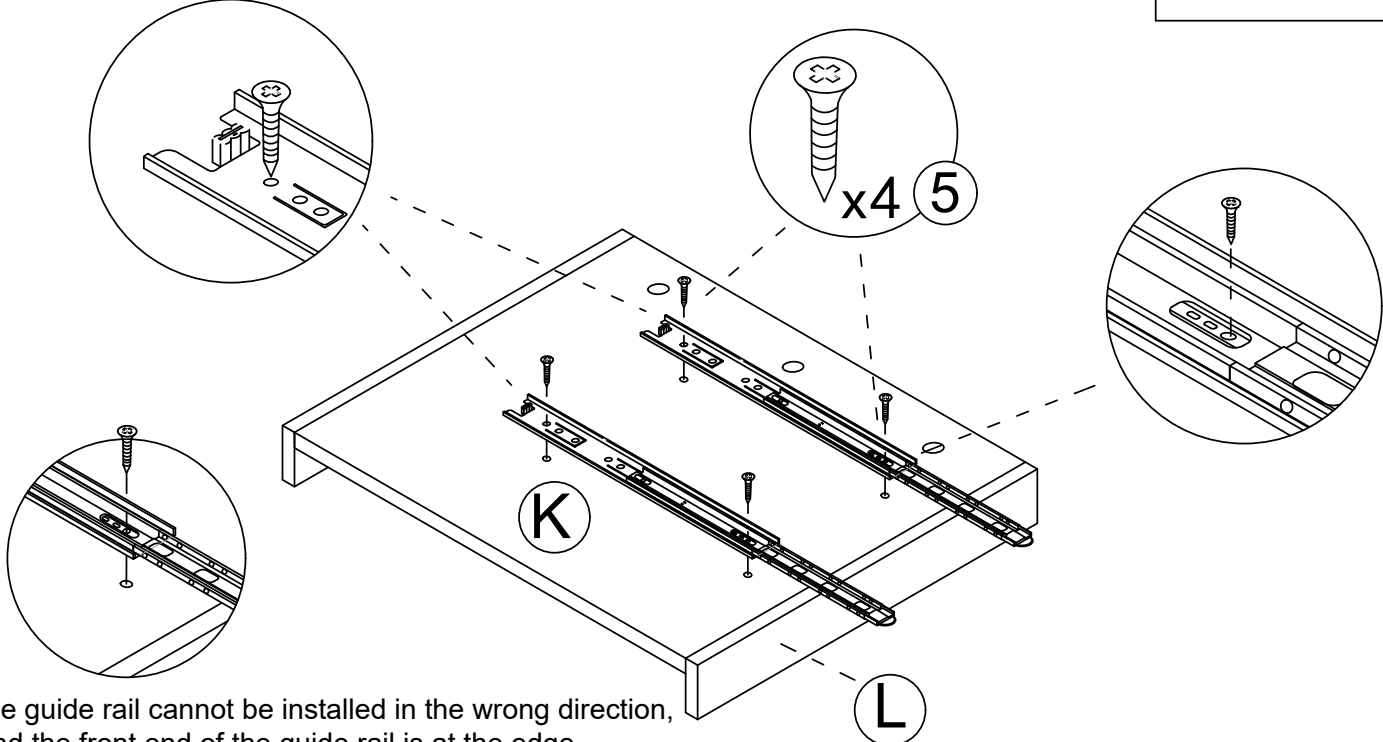
Step 42



Step 43



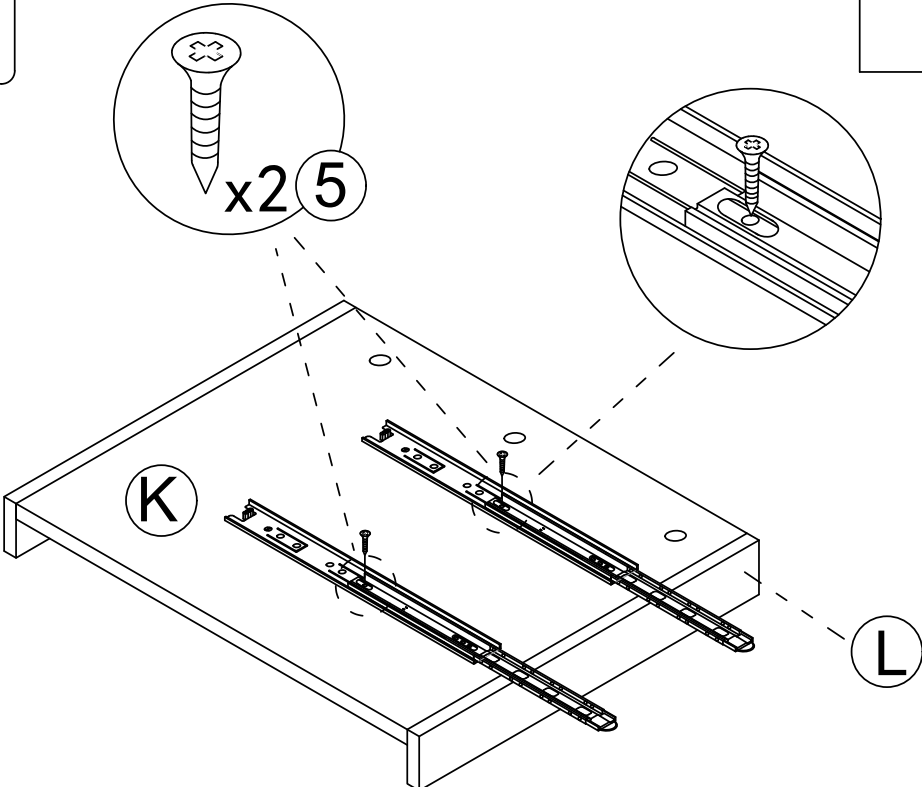
5		x4
		x2



The guide rail cannot be installed in the wrong direction, and the front end of the guide rail is at the edge of the wooden board

Step 44

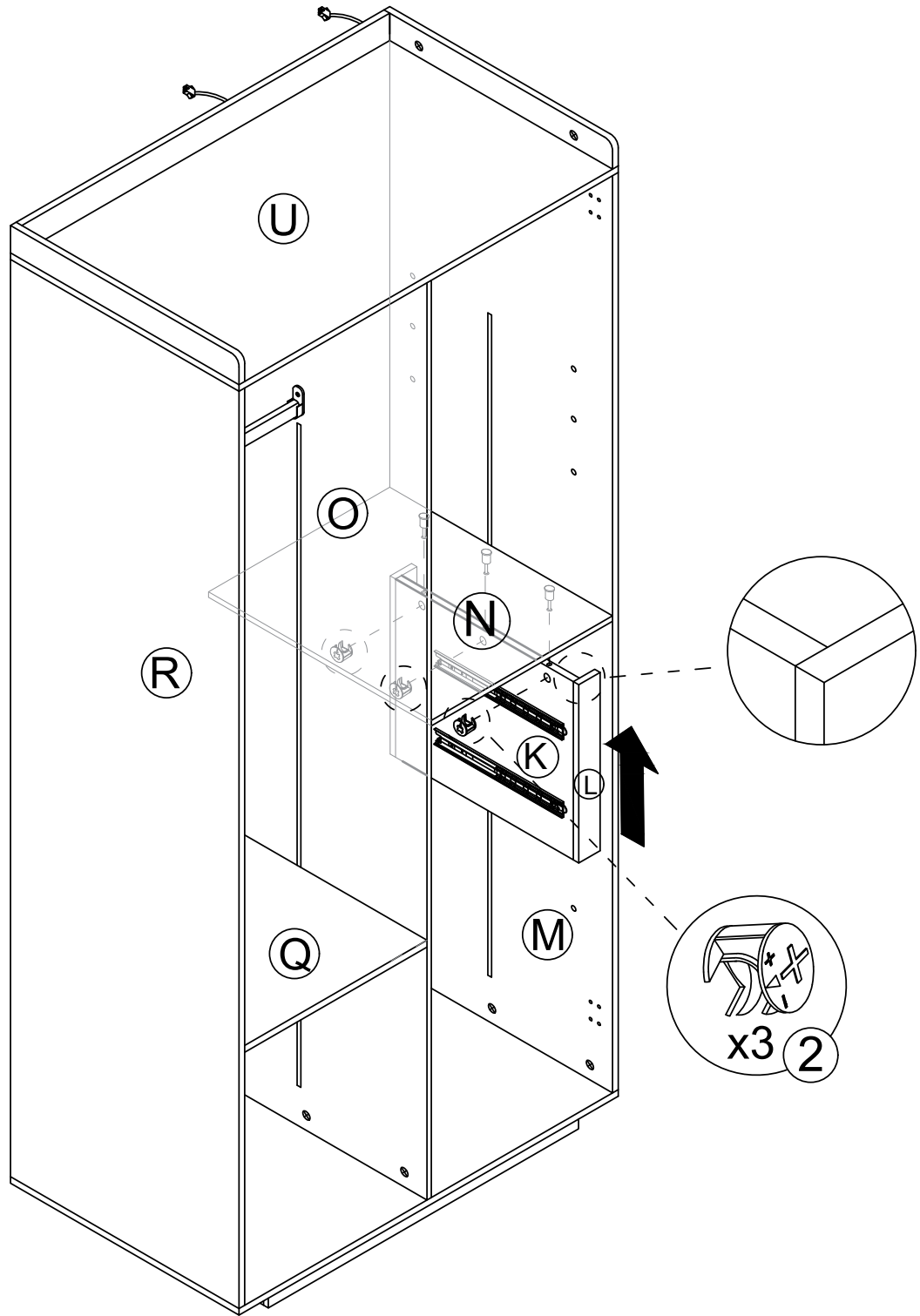
5		x2
---	--	----



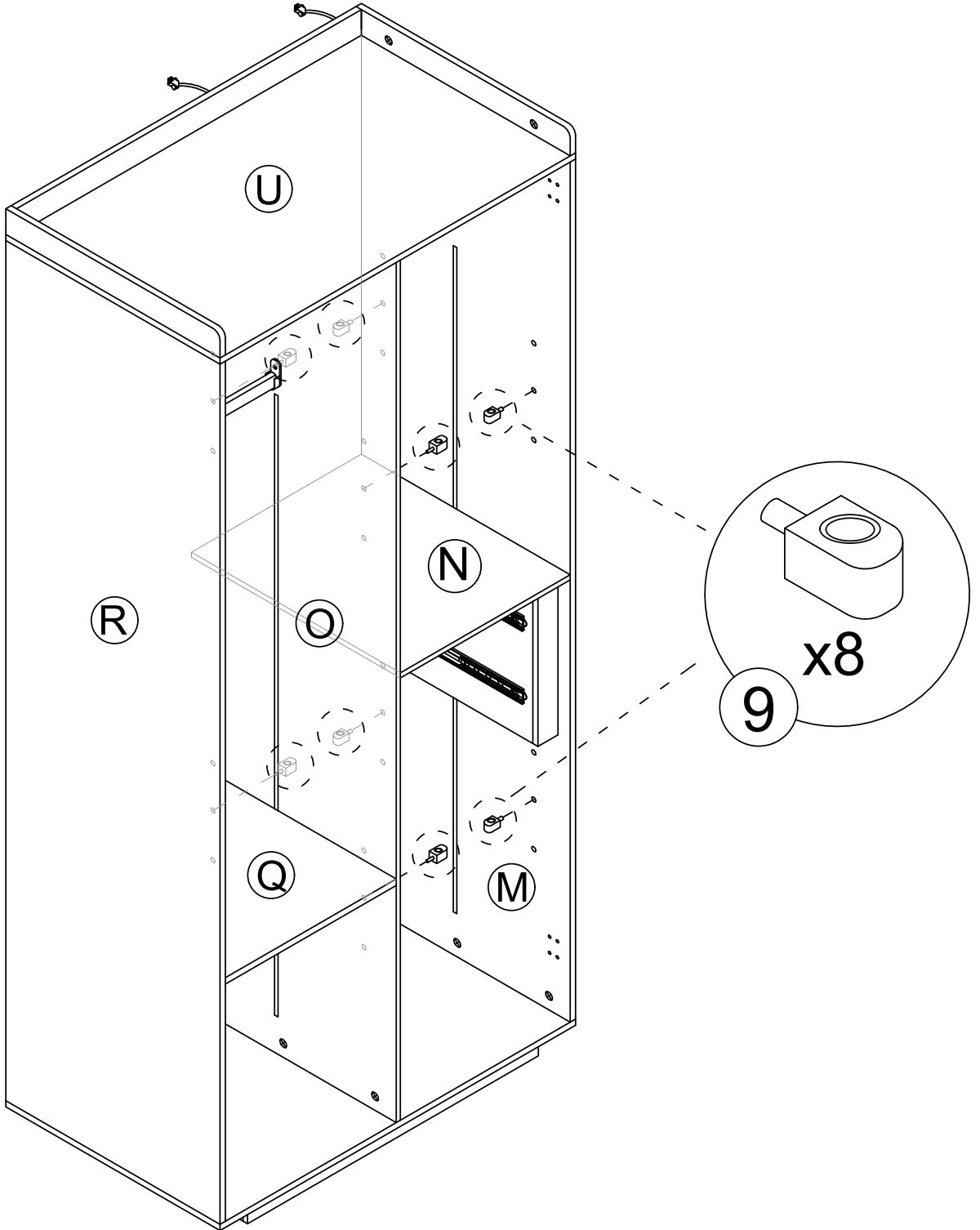
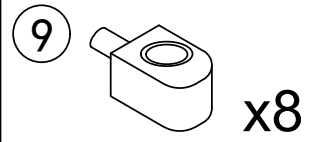
This hole is for strengthening fixed hole customers can choose to install according to their needs.

Step 45

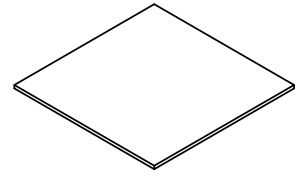
2  x3



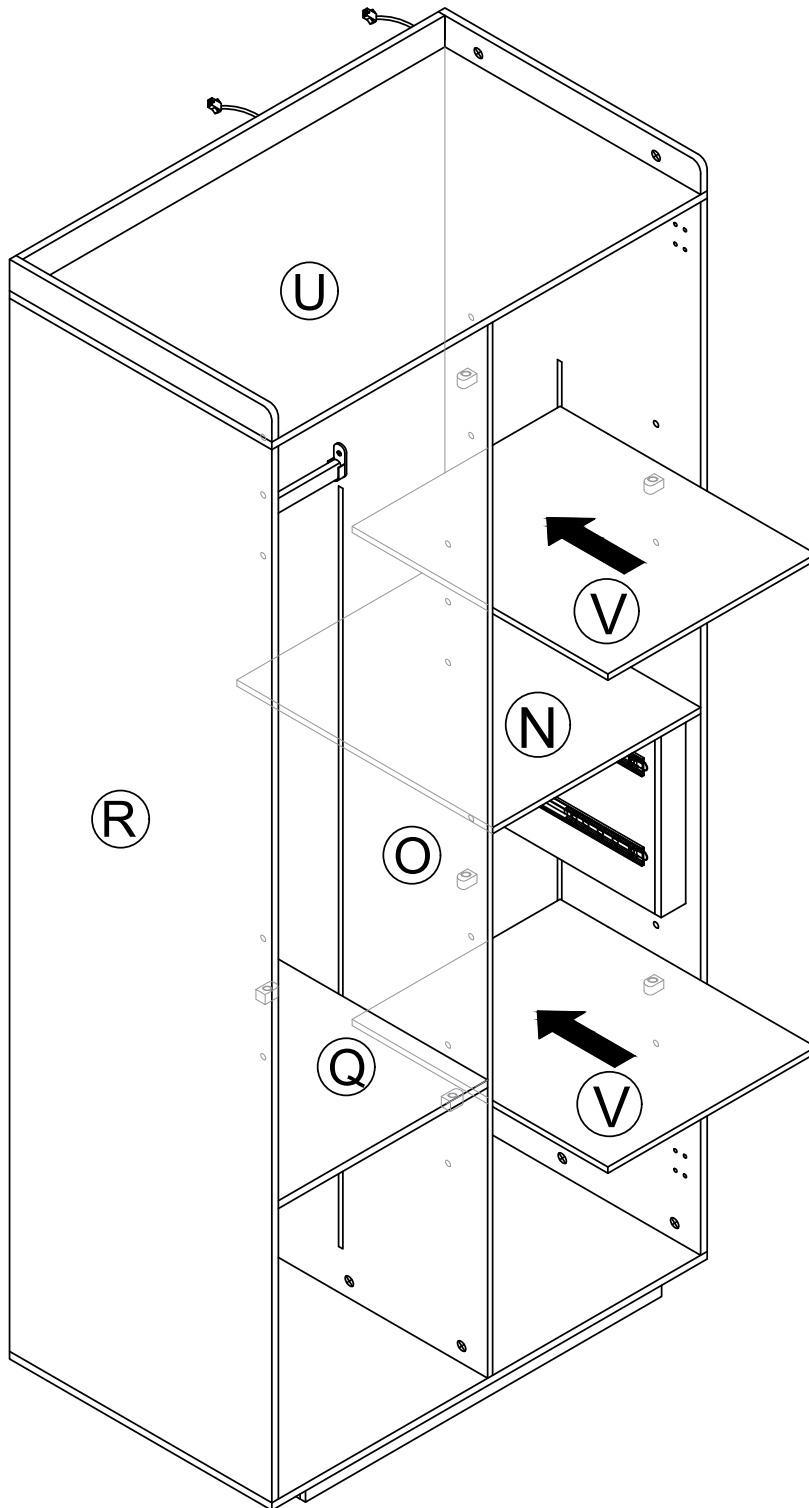
Step 46



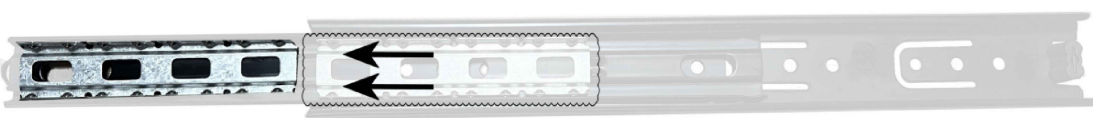
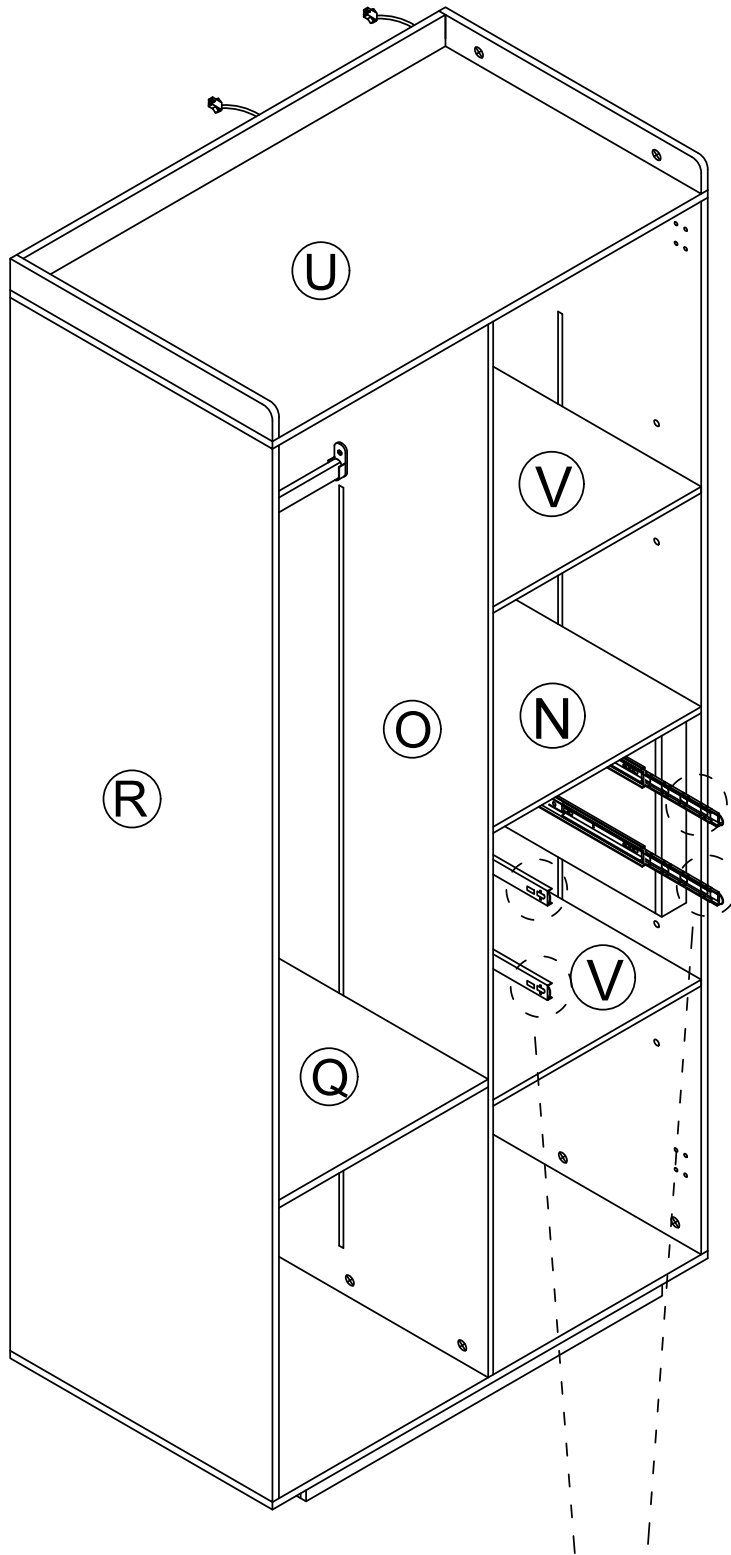
Step 47



Vx2

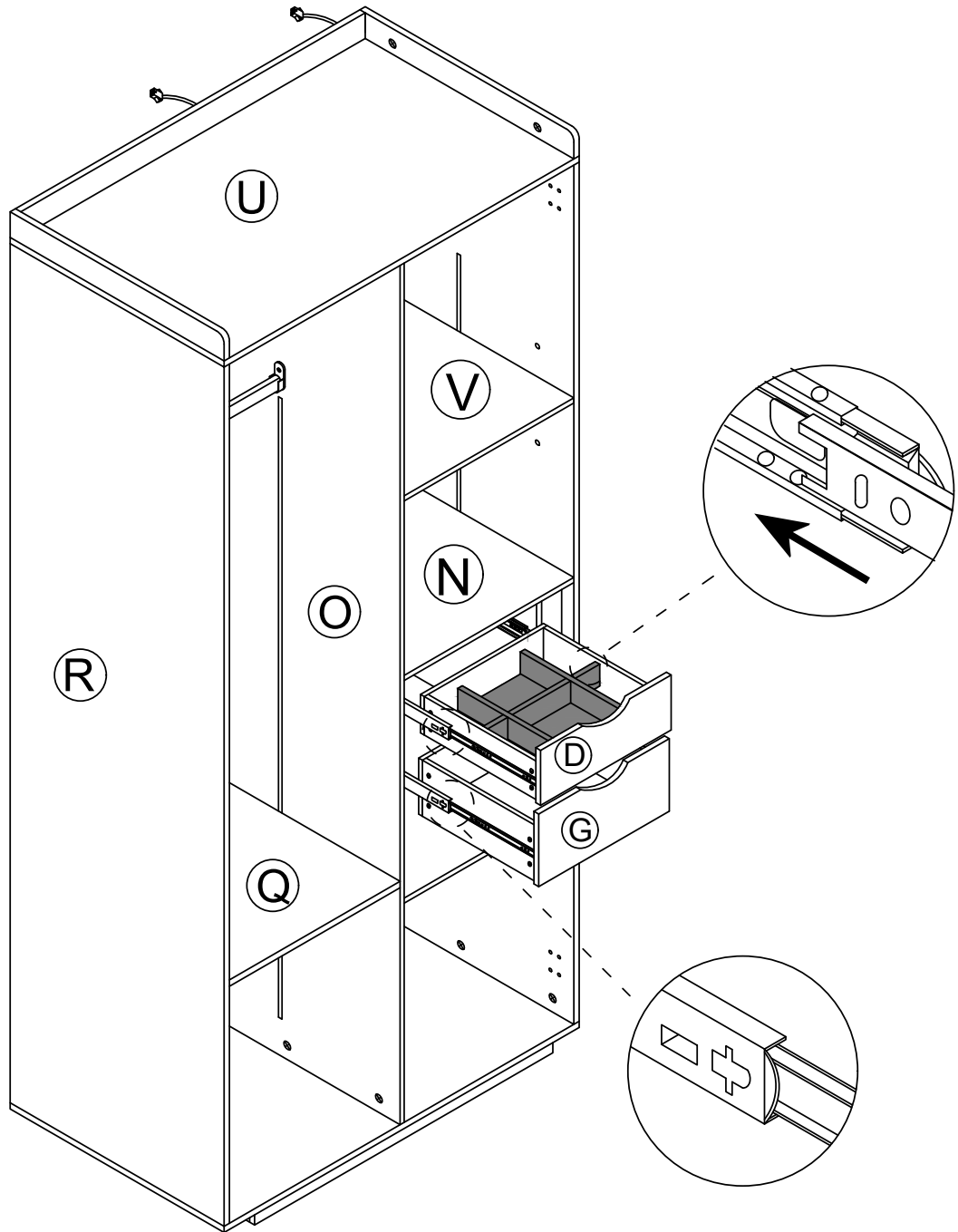


Step 48

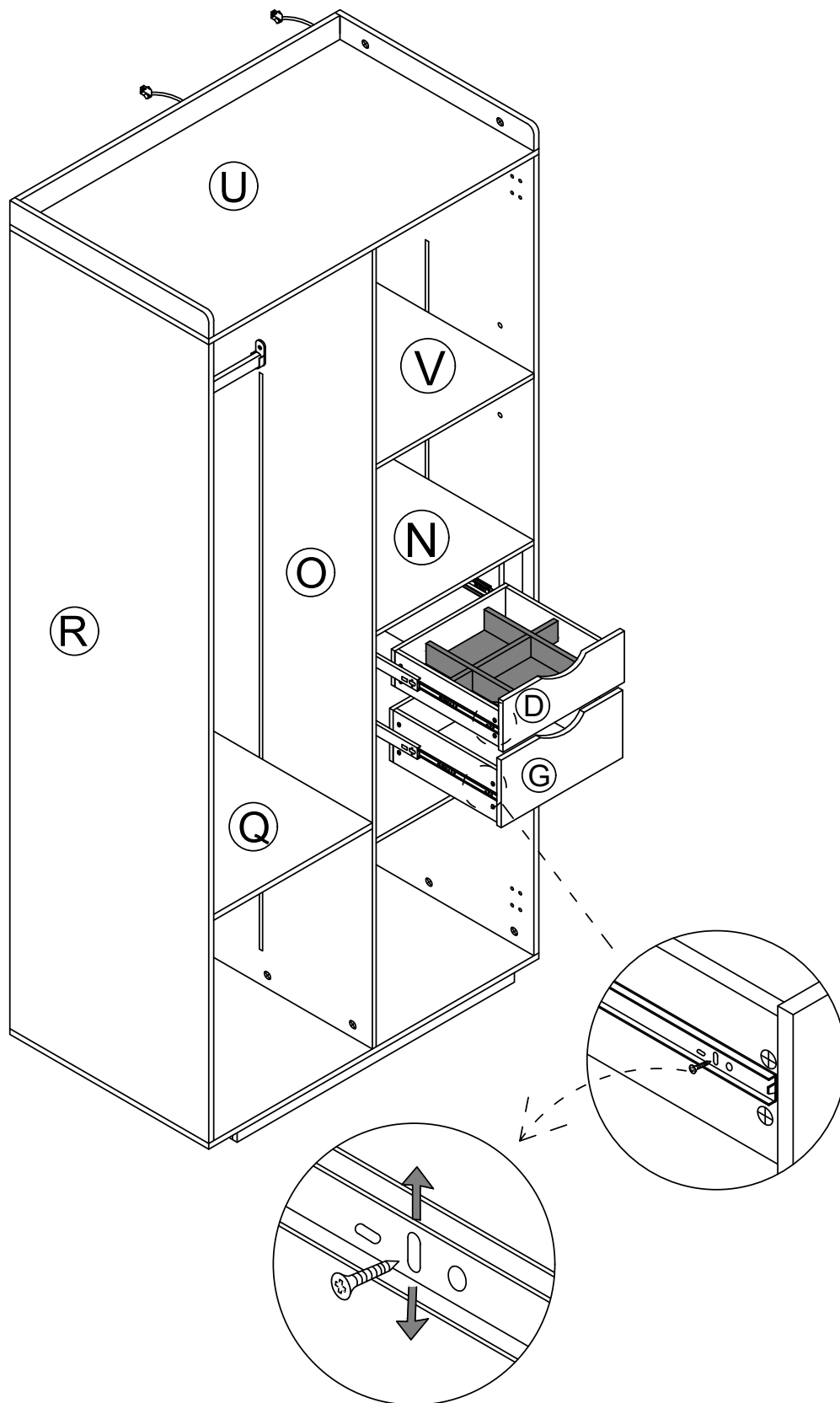


As shown, When installing the drawer, pull the guide rail out first, Slide beads are also pulled out.

Step 49

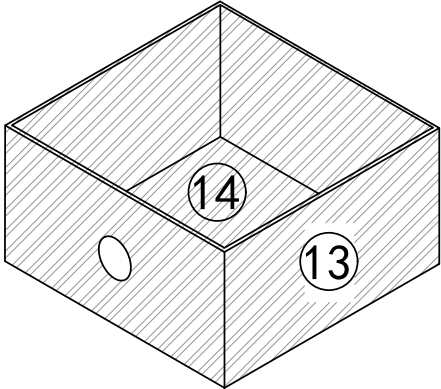
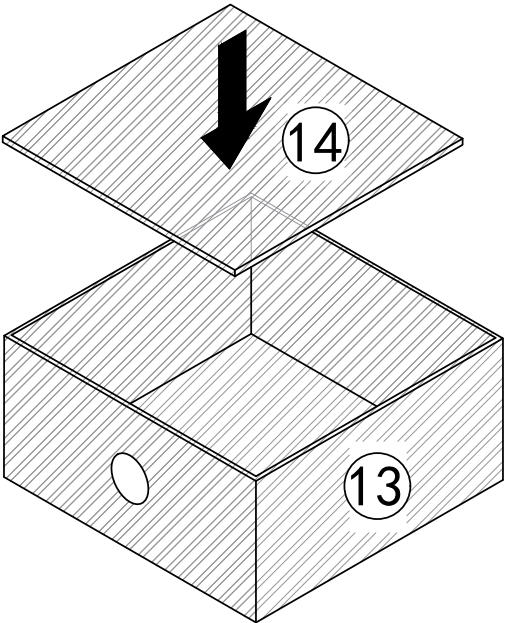
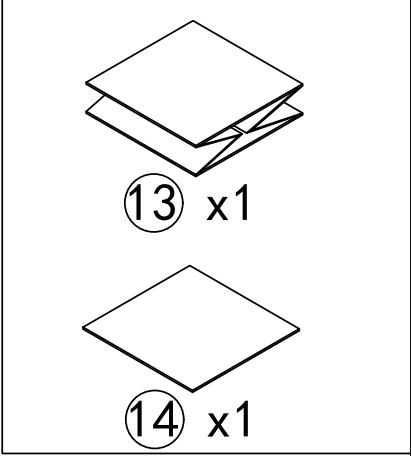
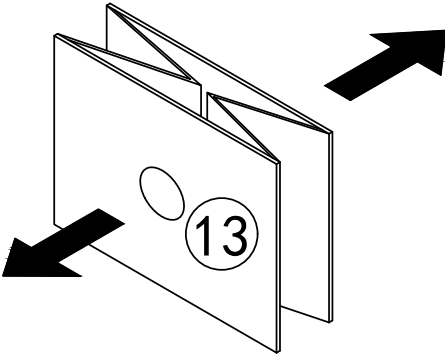


Step 50



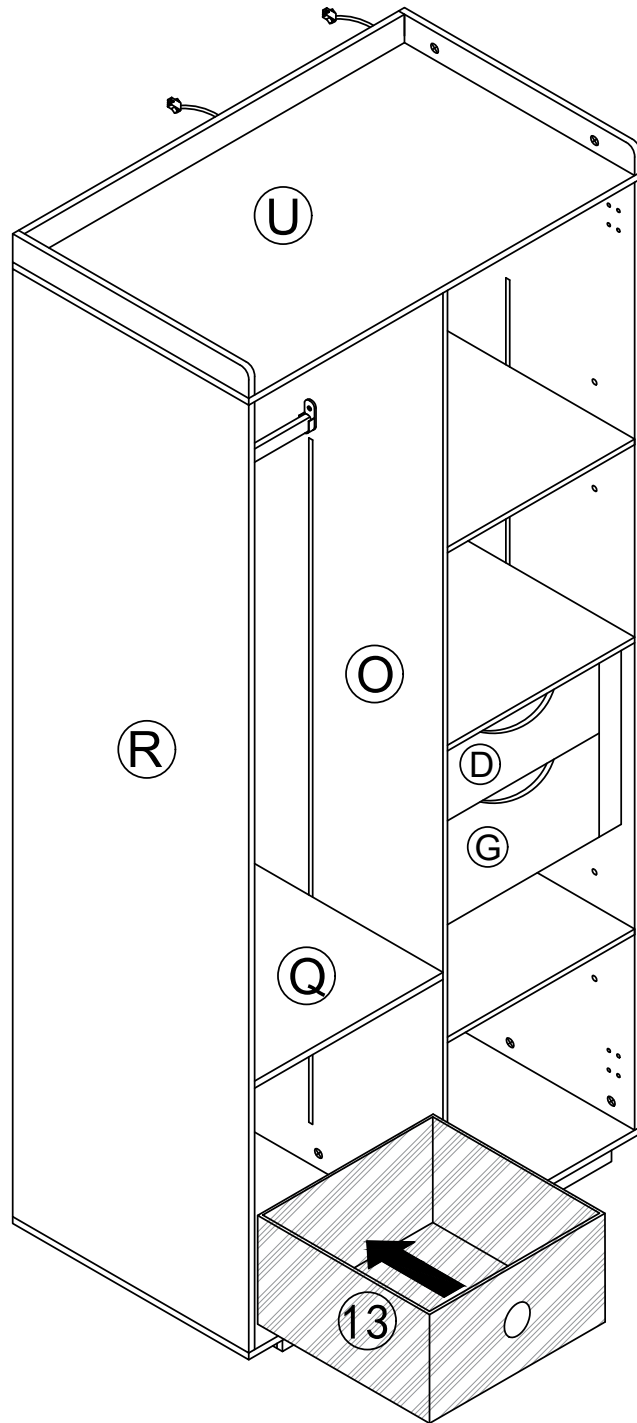
If a large gap is found after installing the drawer the slide rail can be moved up and down to adjust the gap

Step 51

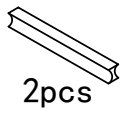


Repeat the steps for installing the drawer

Step 52



4



2pcs

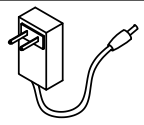


4pcs

11



16pcs



1pcs

10

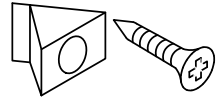


4pcs



8pcs

12



12pcs

13



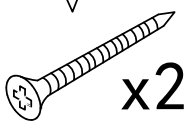
x2



x2

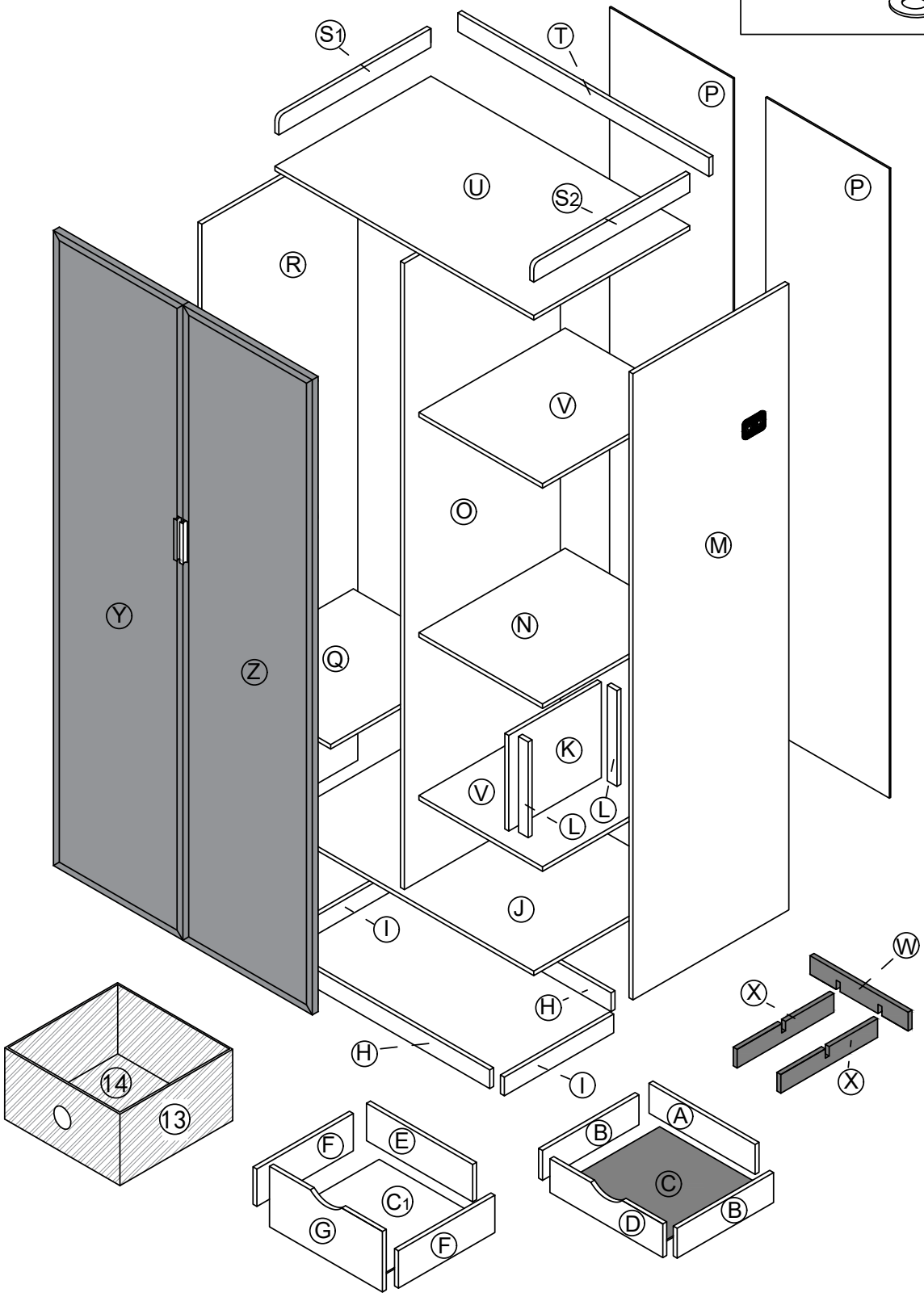


x2



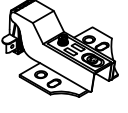

x2

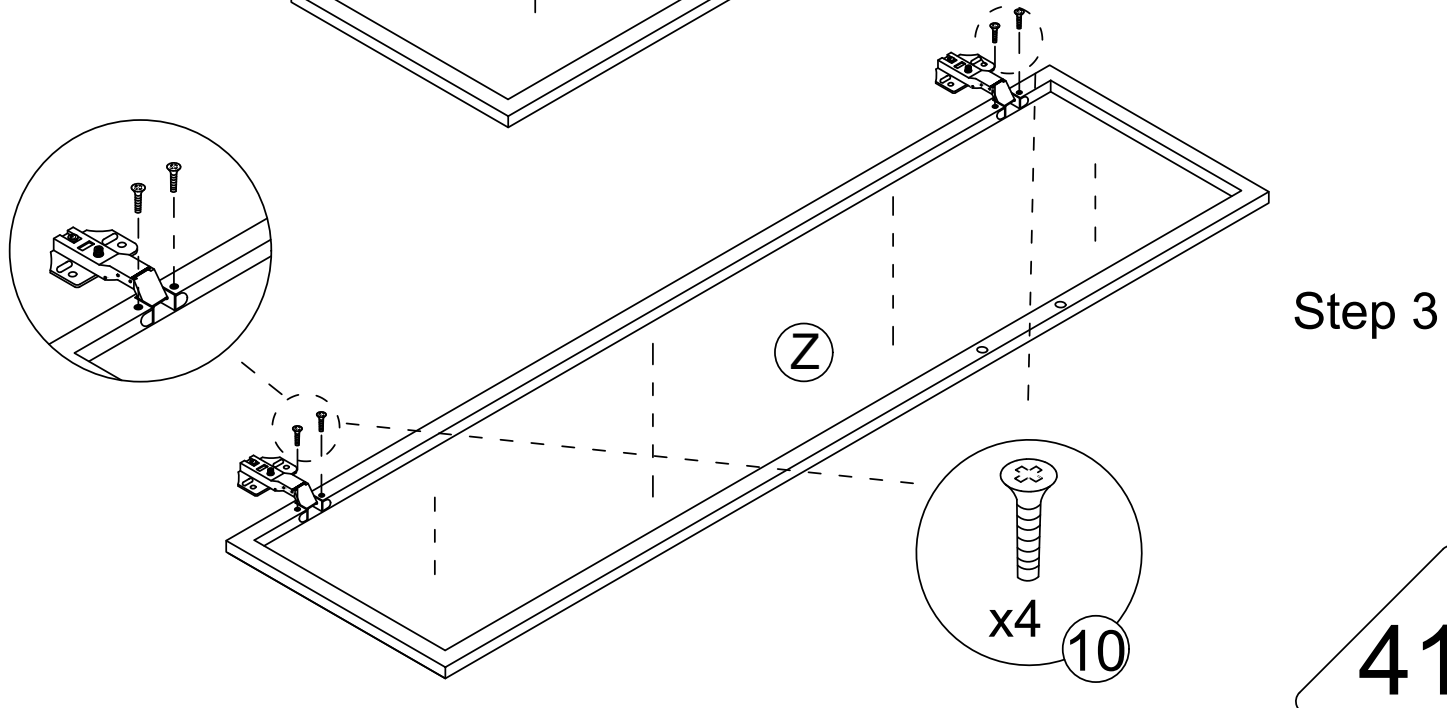
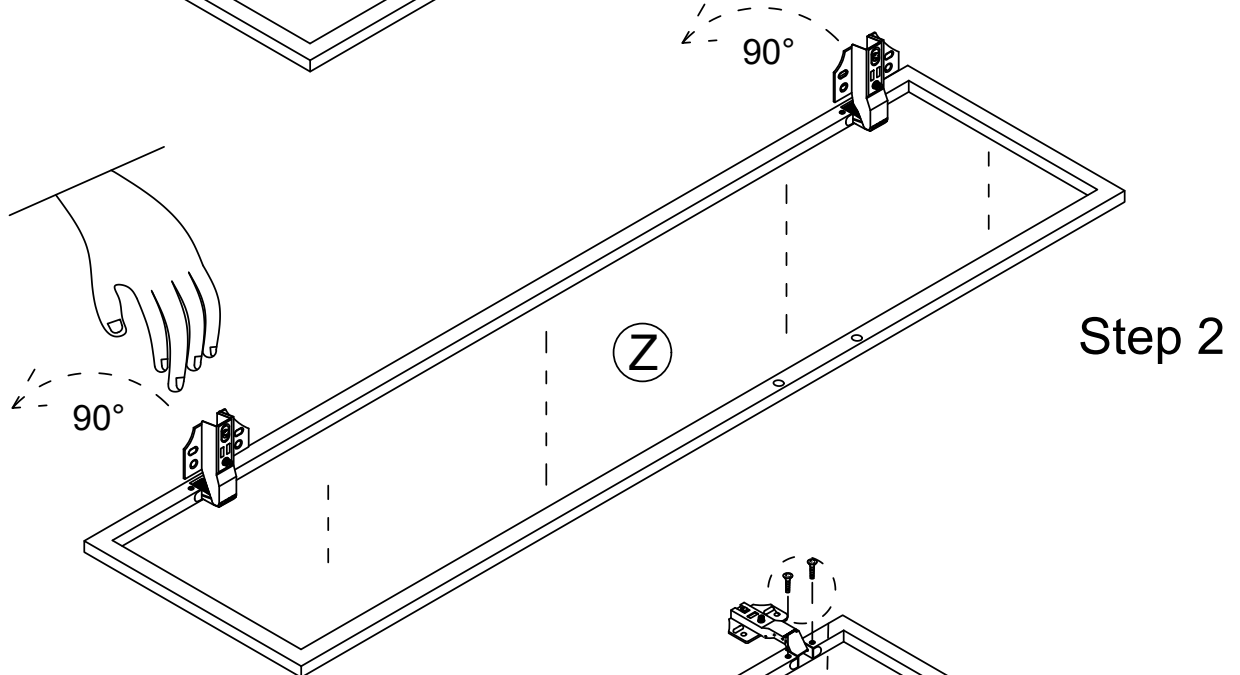
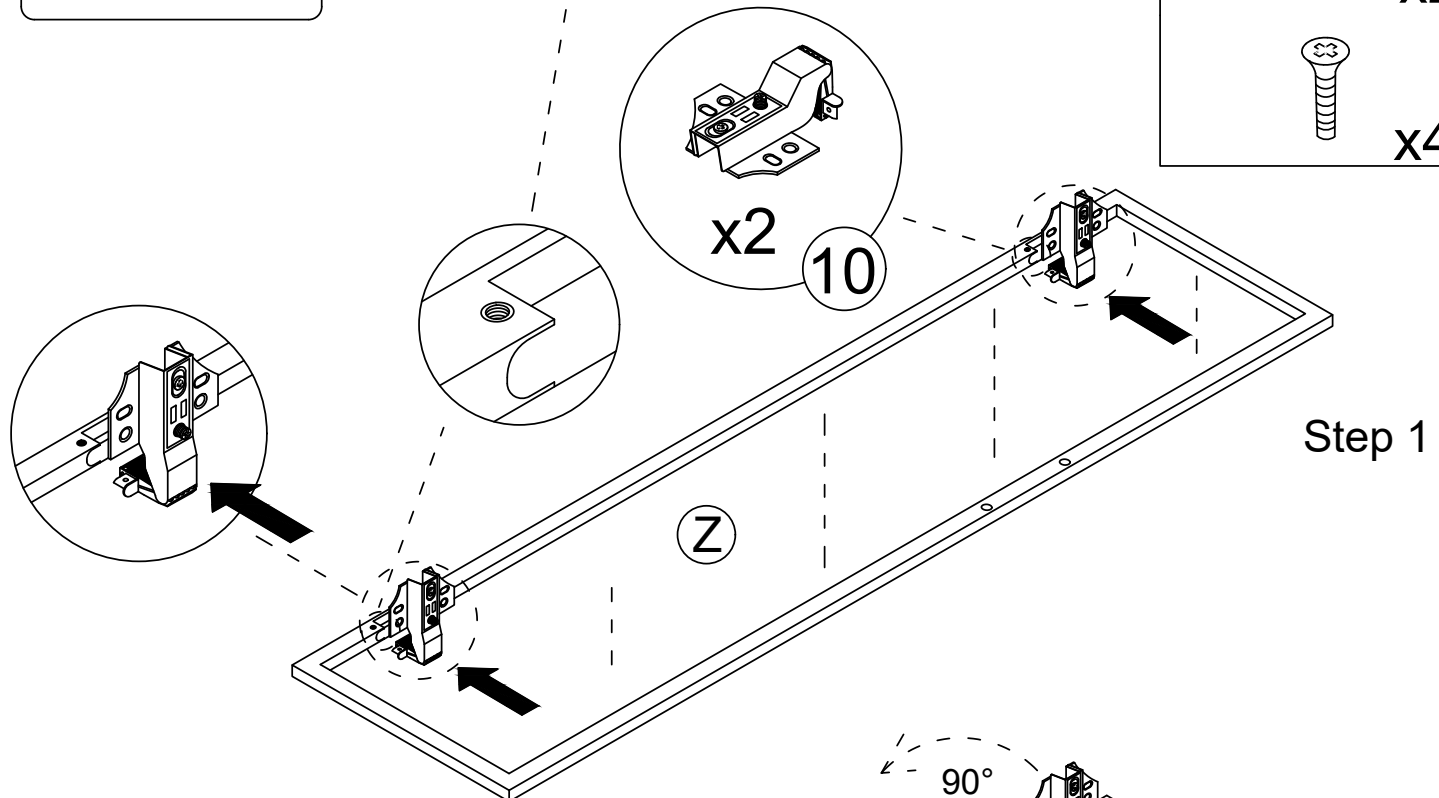
x4



Step 54

Be careful not to scratch your hand

- 10  x2
-  x4



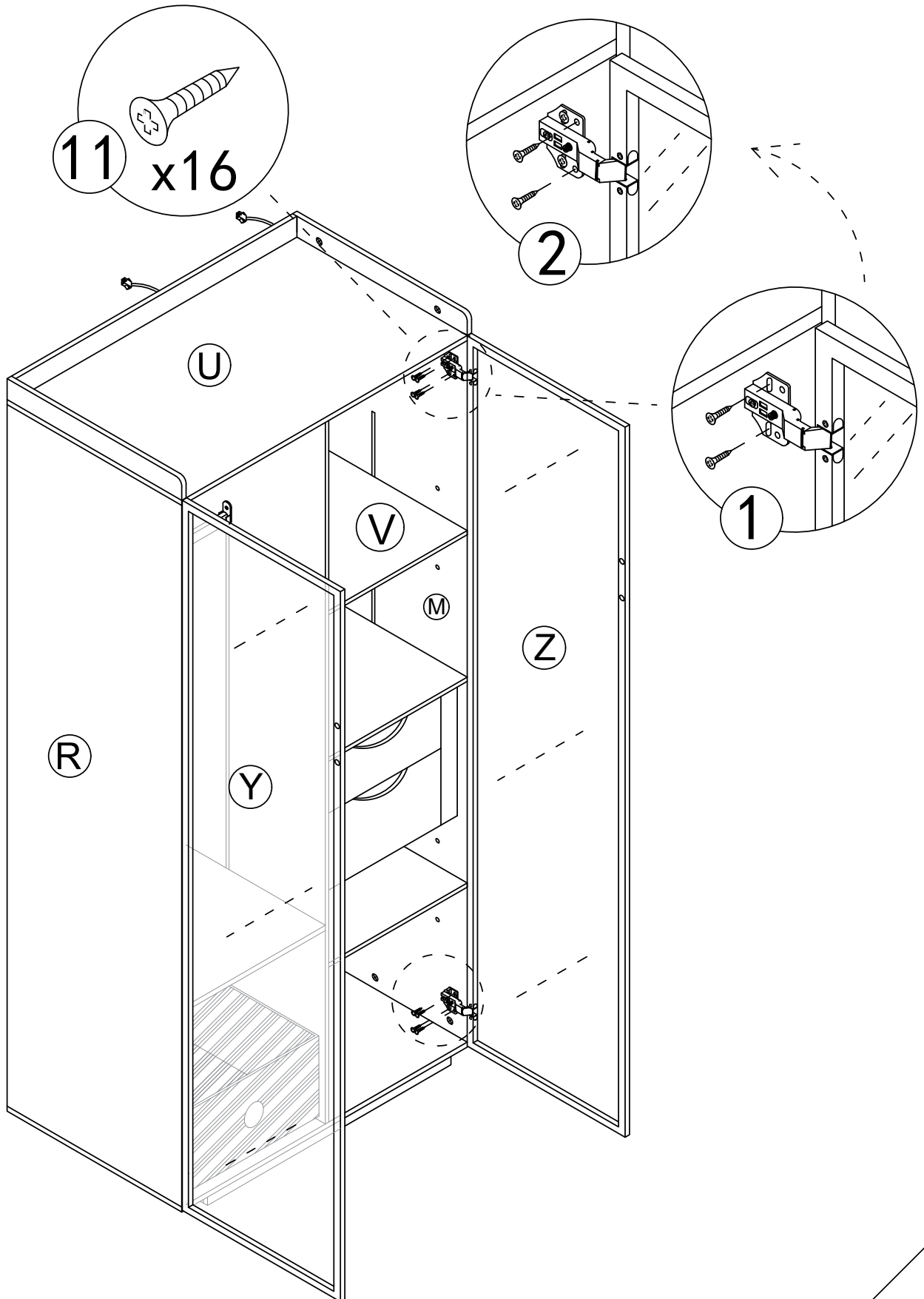
Step 55

11

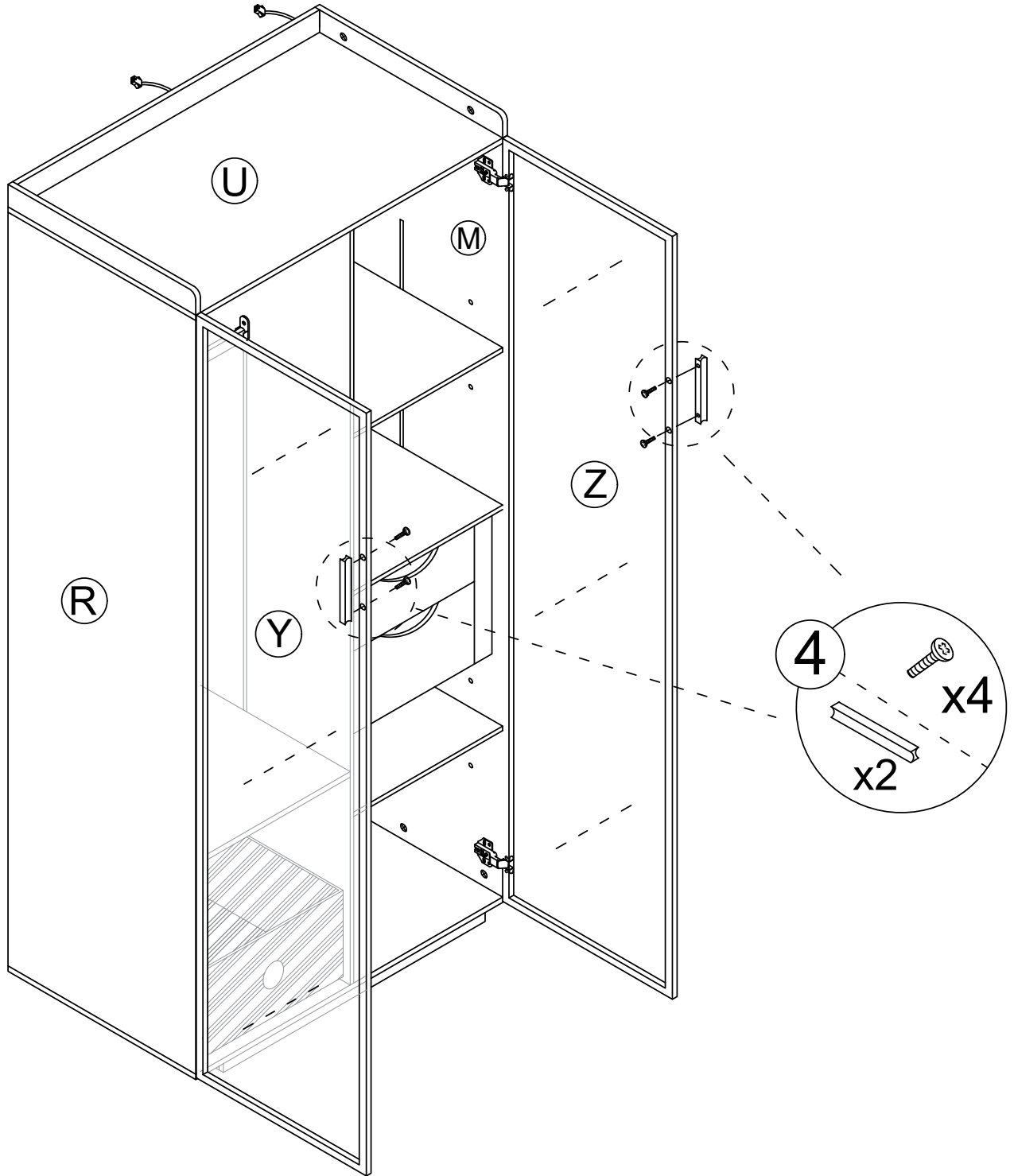
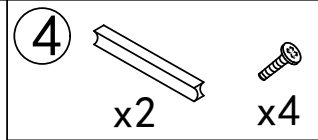


x16

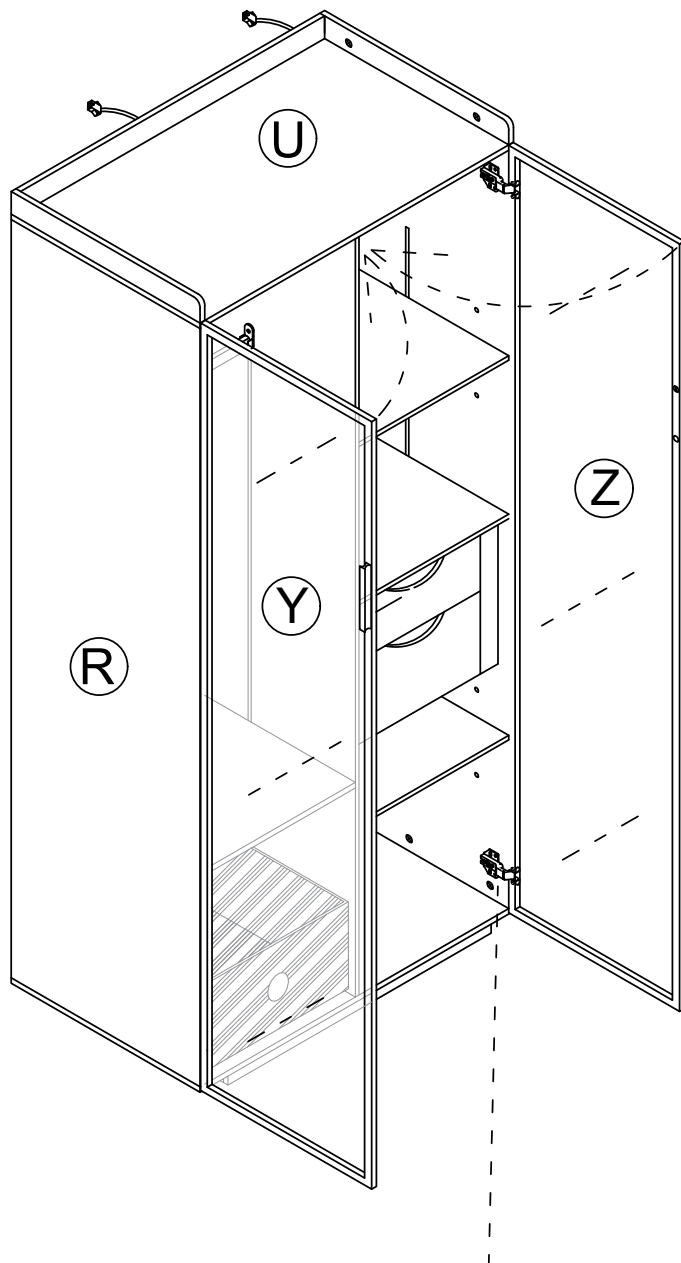
First lock the elliptical hole
then lock the fixed hole



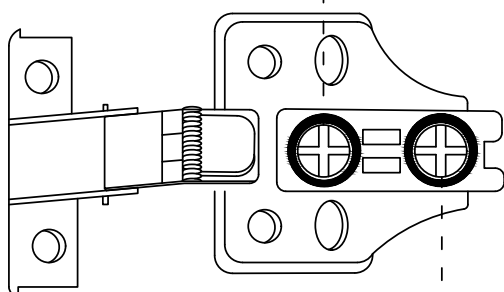
Step 56



Step 57

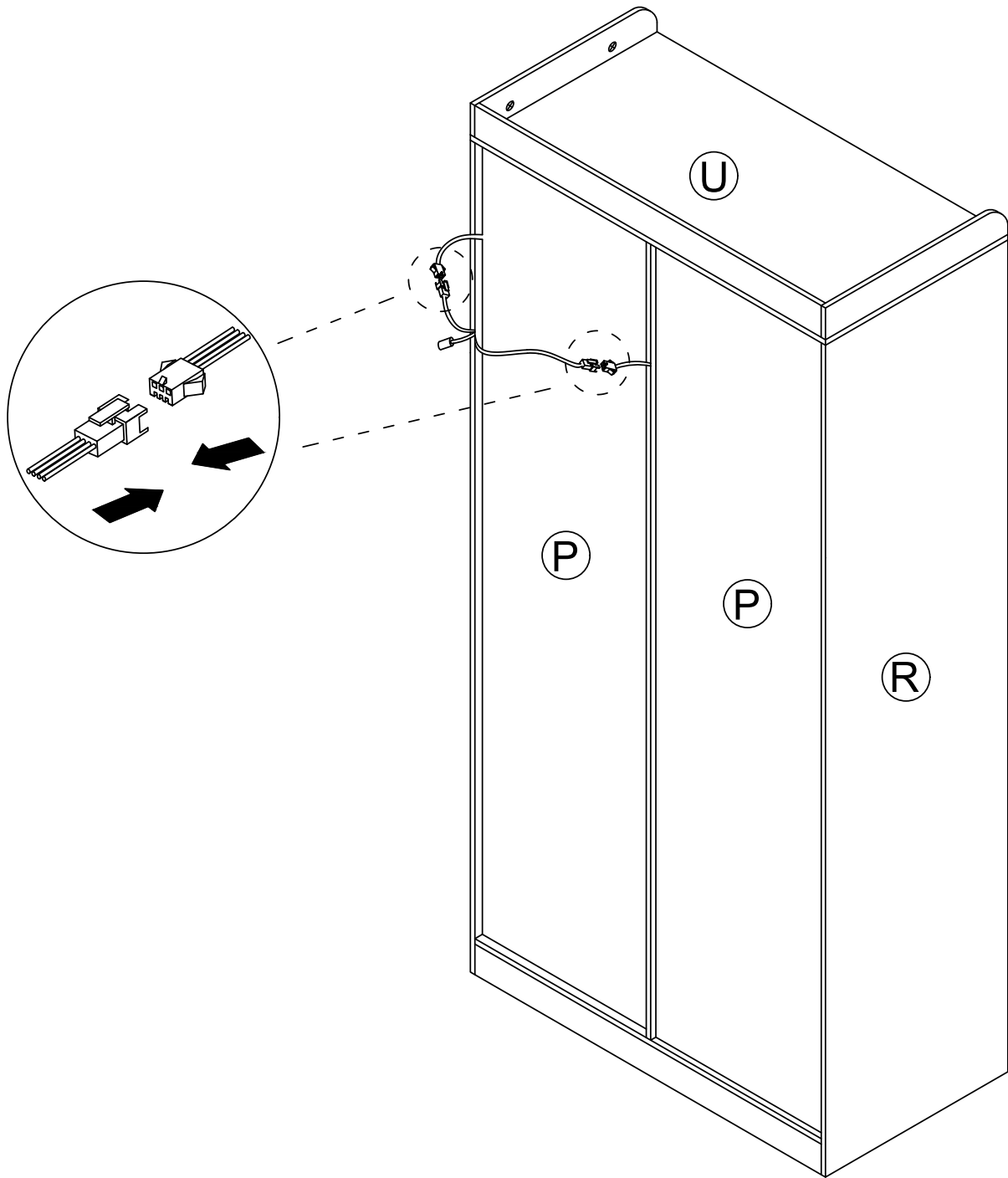


Turning this screw can effectively adjust the size of the door gap.

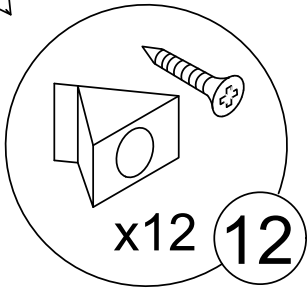
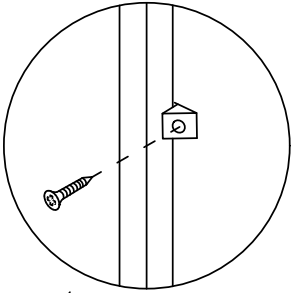
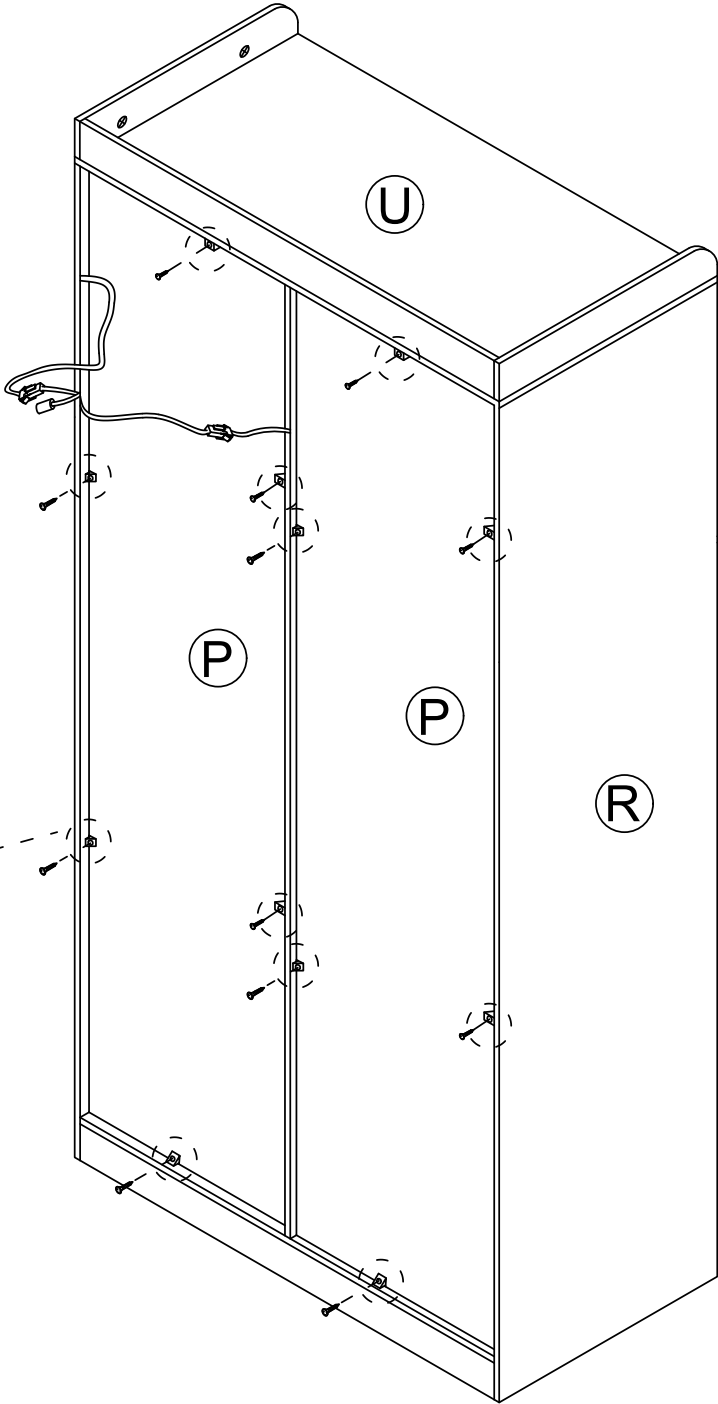
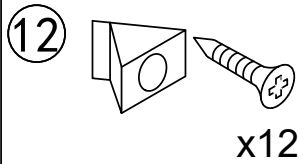


Turn this screw to adjust the door panel to be flat with the side panel.

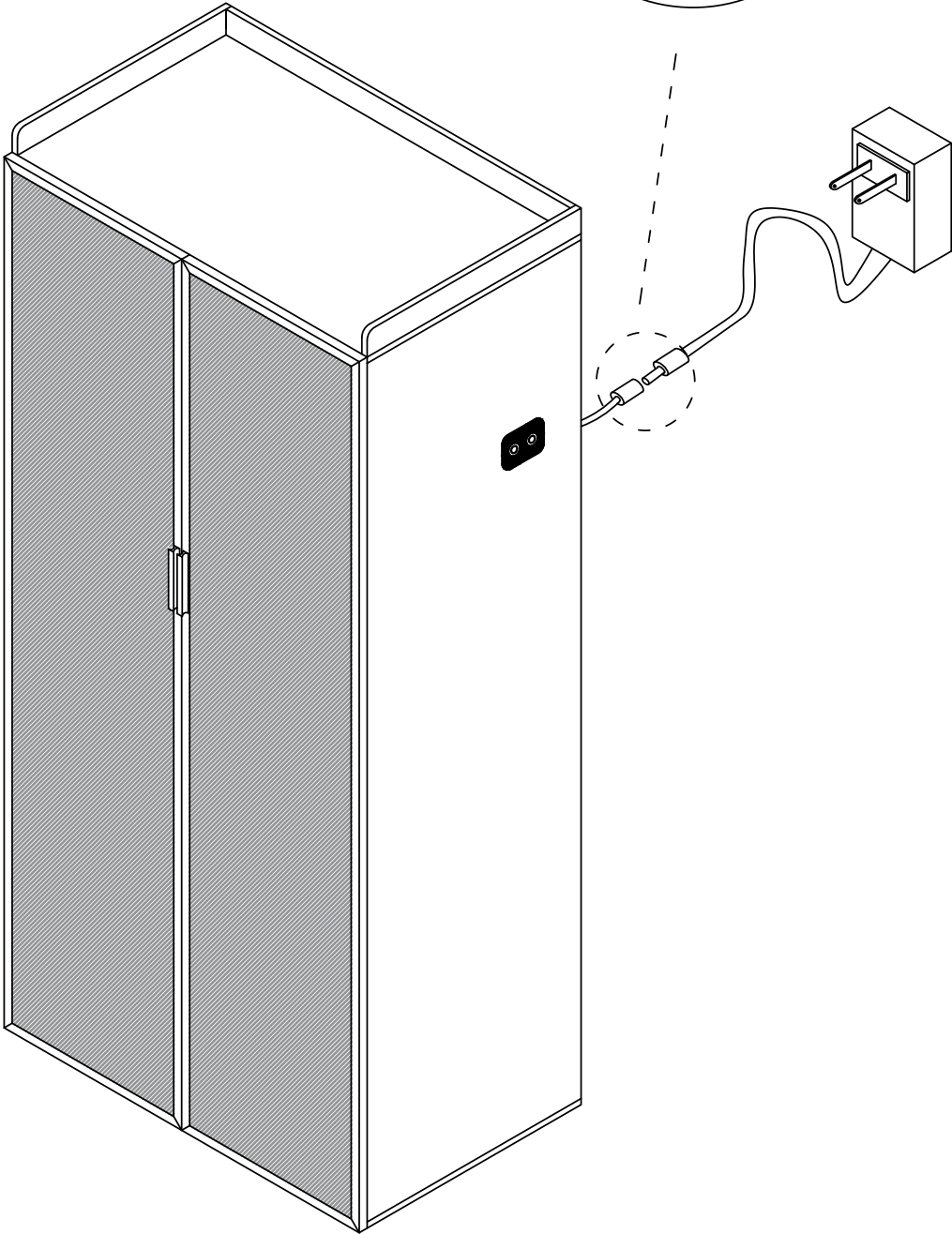
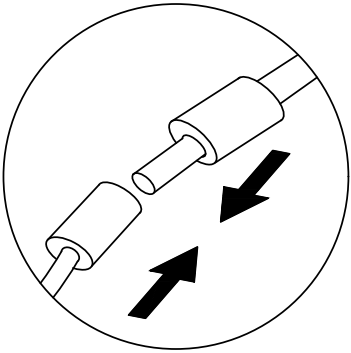
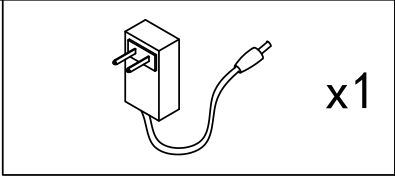
Step 58



Step 59



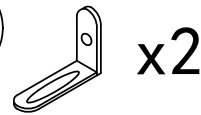
Step 60



Step 61

Install as required

13



x2

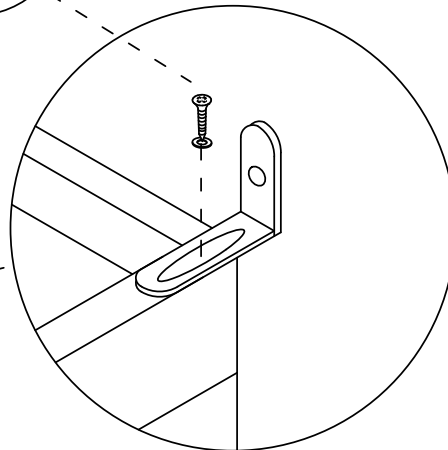
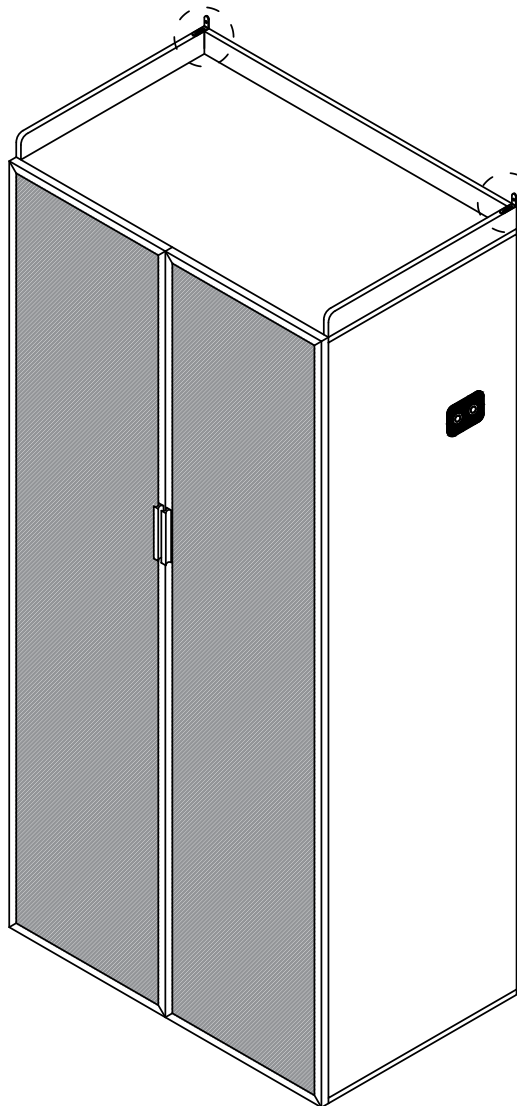
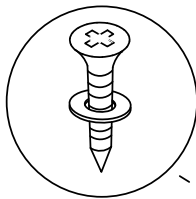


x2

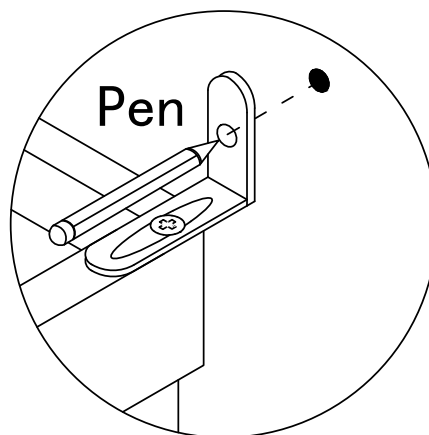


x2

3.5x14mm


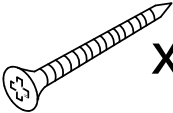



Install the anti fall hardware on the cabinet as shown in the picture first

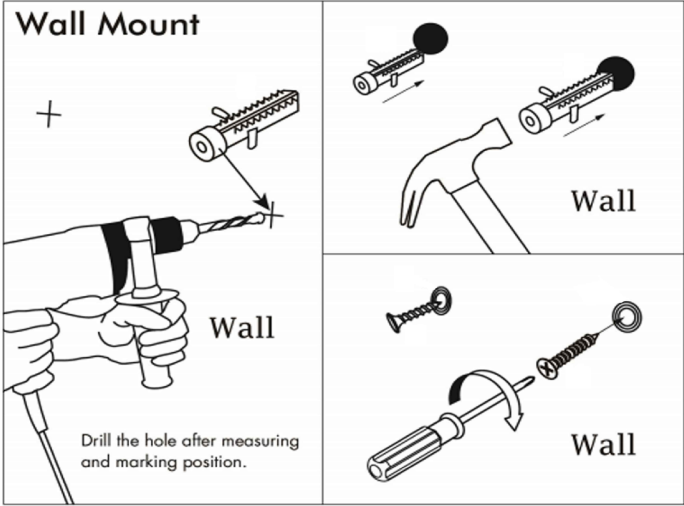


Then mark the wall with a pen through the holes in the anti-fall hardware

Step 62

- 13  x2
-  x2  x2

Wall Mount



+

Drill the hole after measuring and marking position.

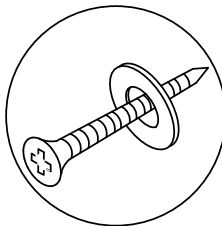
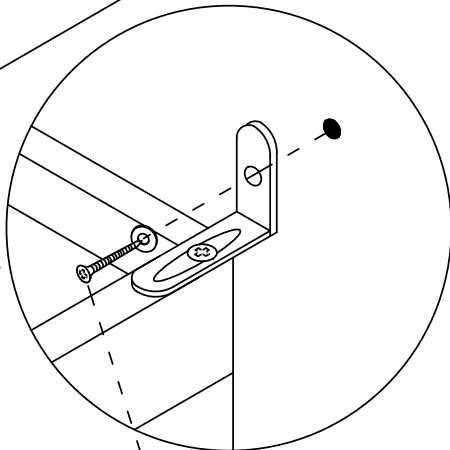
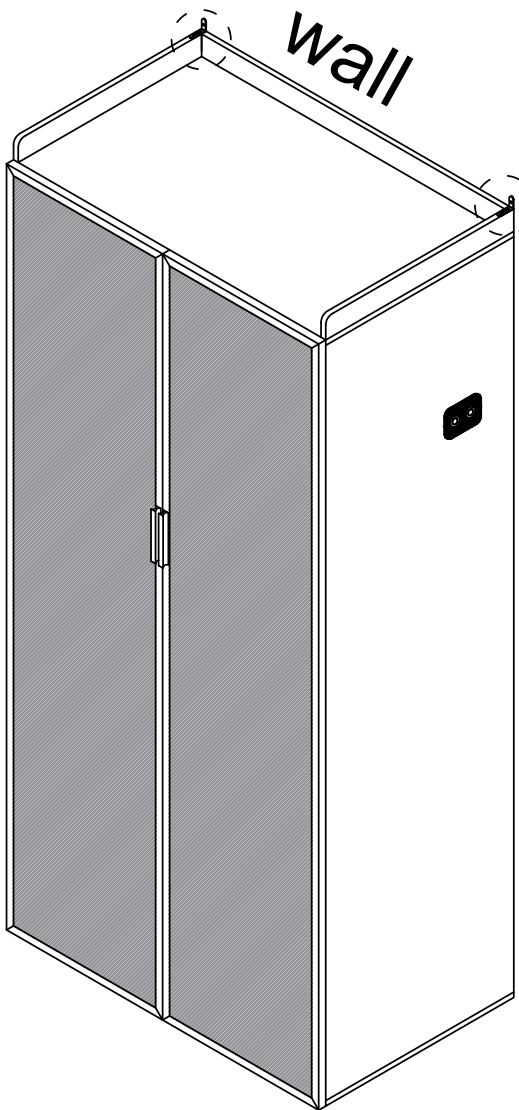
Wall

Wall

Wall

Wall

Drill the hole with an electric drill and punch in the colloidal particles



4x45mm

Fasten the cabinet to the wall

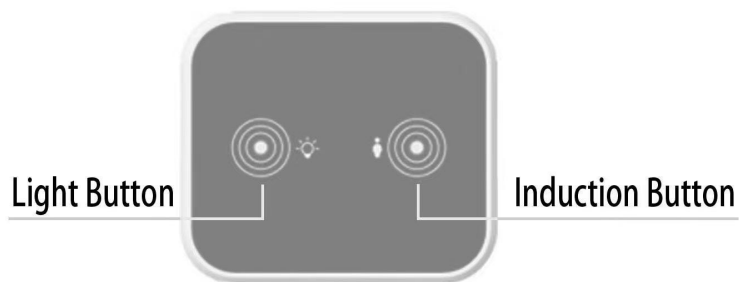
User's Guide

Thank you for purchasing this product. To use this product, please plug it into a 12V DC power supply. Please use if the product works normally after connecting to power.

Introduction

The box is an intelligent controller with 2 touch buttons. It can turn ON/OFF the light, change light colors, and adjust the light luminance.

Product Show



ATTENTION PLEASE

1. If there is no touch response suddenly, Re-plug the power to reset the touch static electricity.
2. If bubbles appear on the panel, remove the protective film.

Operation



This touch button is used to turn on/off, change colors, and adjust brightness.

A. Short touch -> lighting on -> short touch -> change light color -> short touch -> change light color -> short touch -> lighting off. B. Long touch -> adjust the luminance



This touch button is used to turn on/off the induction function.

A. Short touch to turn on the induction function. It can auto-turn on the light when people are close to the controller in 1 meters. It can auto power off the light when the body is far away from the controller after 30 seconds.

B. Long touch to turn off the induction function.

C. Note: When you touch the light button to change the light modes, the induction function will automatically turn off. It is best to turn on this function after selecting the light color and adjusting the brightness you want.