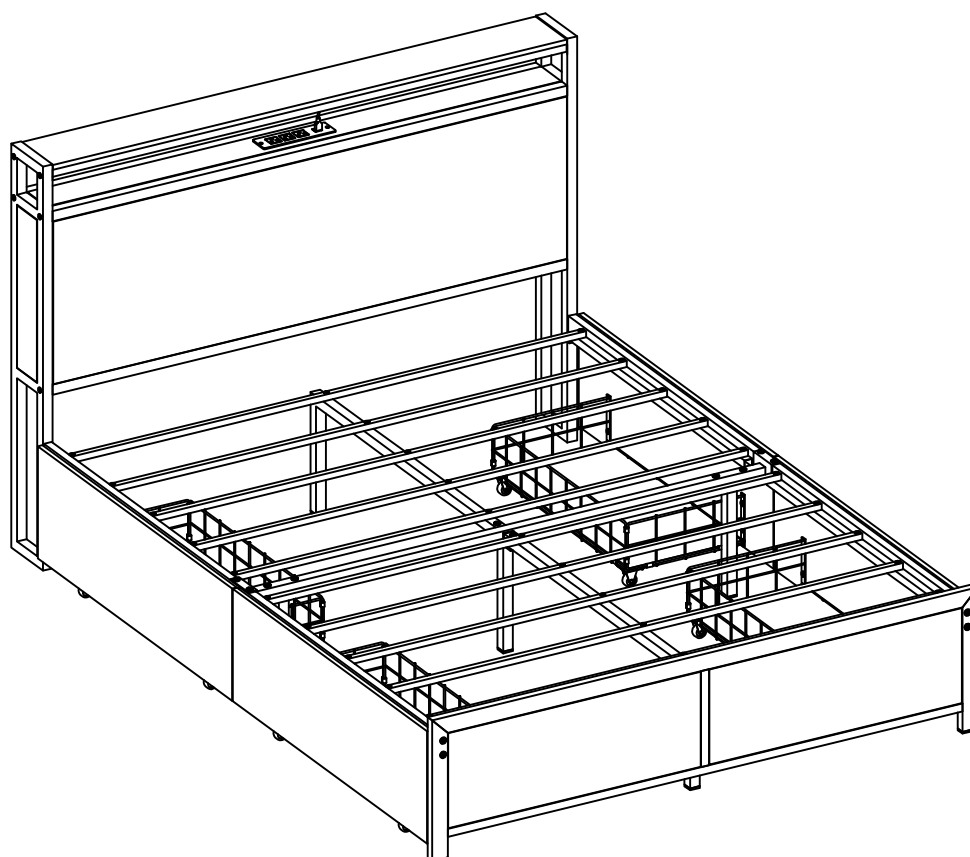


Bed Frame with Storage Drawers

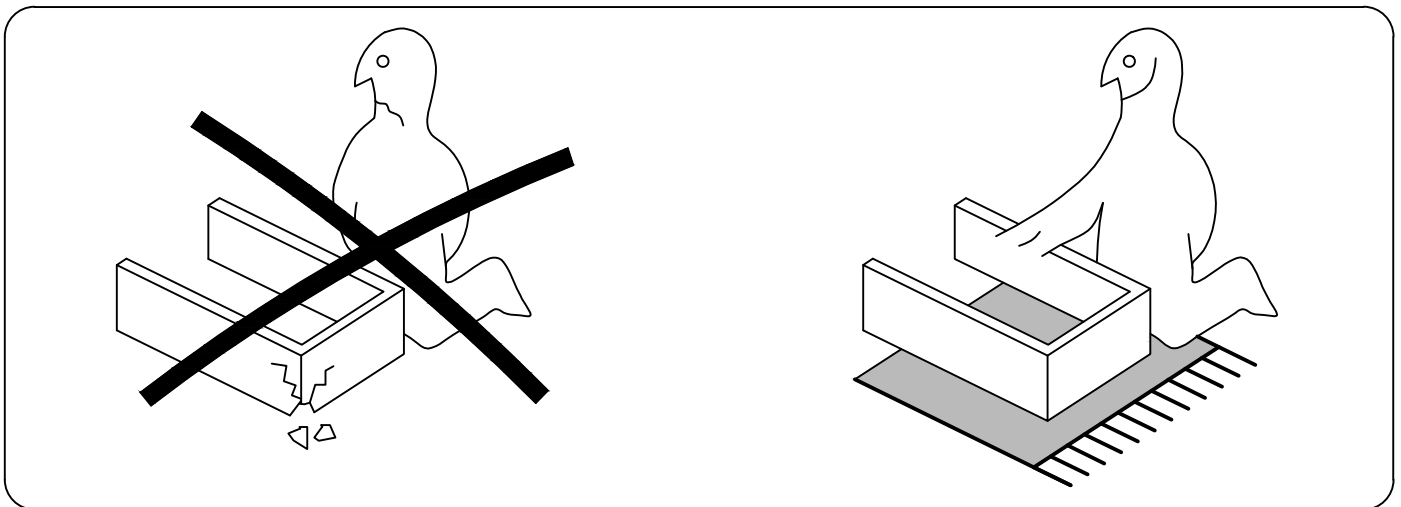


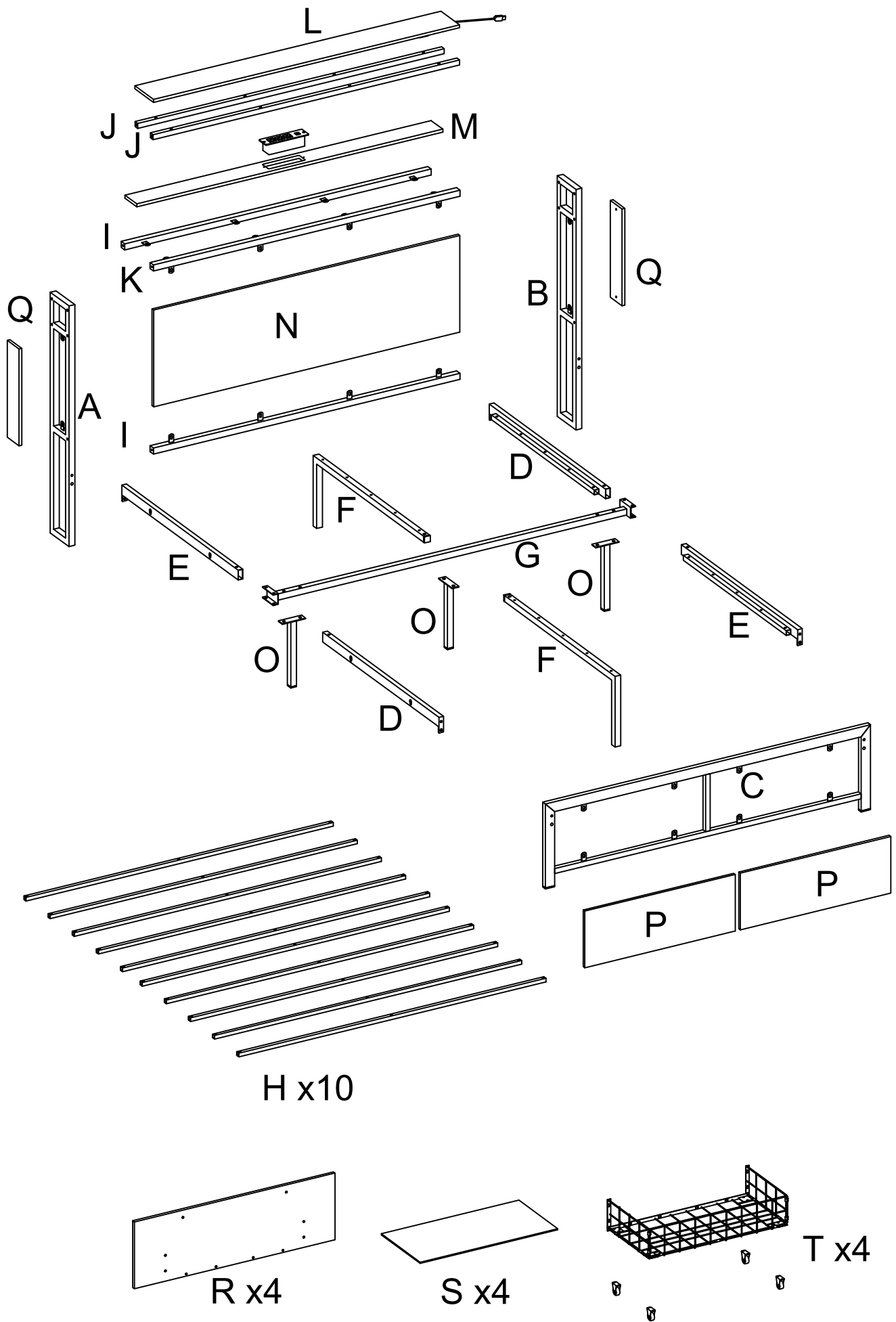
Assembly Manual

Two people are recommended to install, which will greatly improve your installation efficiency.

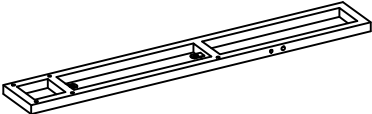
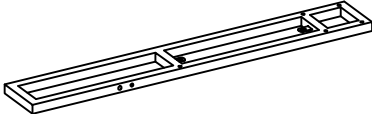
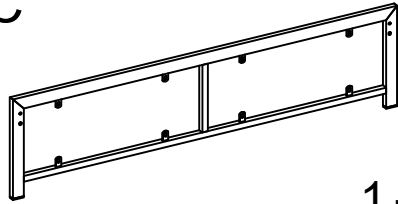


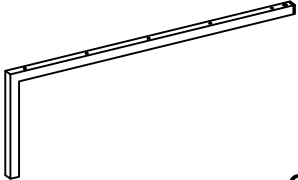
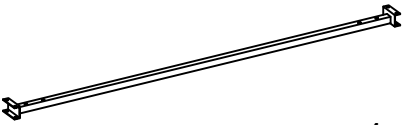

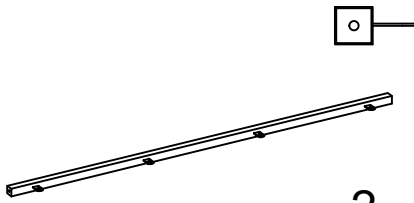

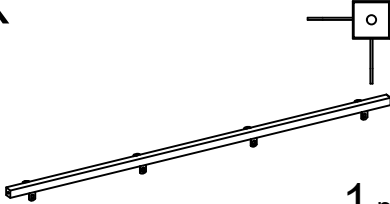
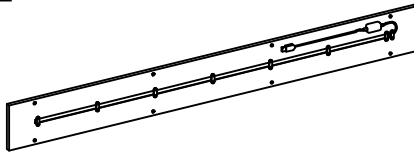
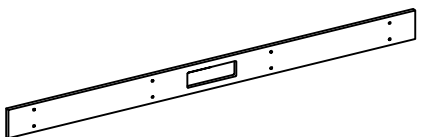
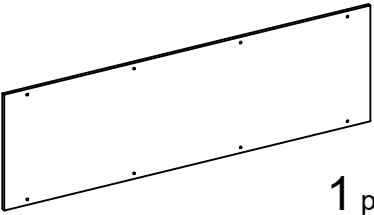
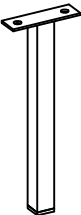
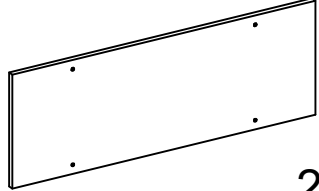
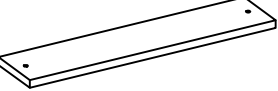
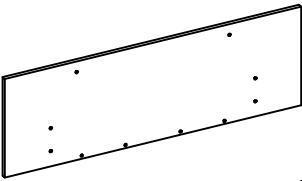

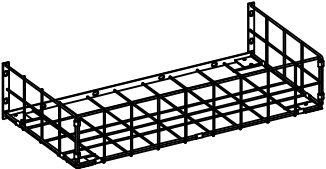
Tips Before Assembly

1. Read through each step carefully and follow the proper order.
2. Identify, sort and count all the parts with tags.
3. To avoid any scratching, putting a soft blanket on the floor is suggested.
4. If using a power drill or power screwdriver for the screwing, please be aware to slow down and stop when screw is tight. Failure to do so may result in stripping the screw.
5. Put the screws in loosely until all pieces are together and then tighten them all. It will save your time if you make a mistake while installing.

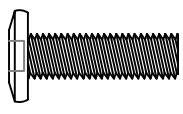
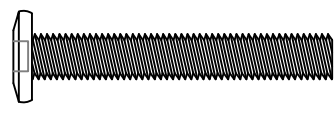
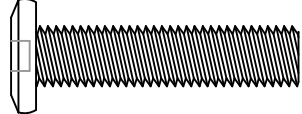
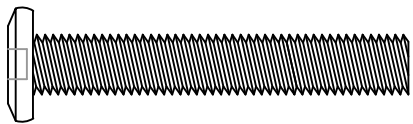
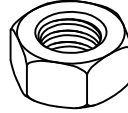


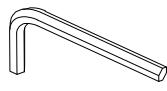

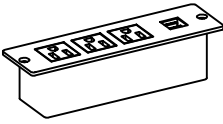
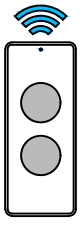
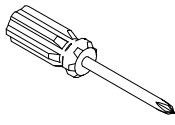
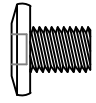
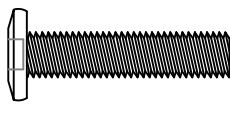
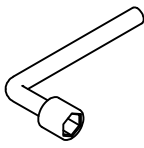

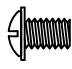

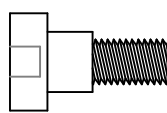
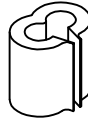
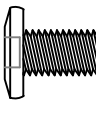




PART LIST

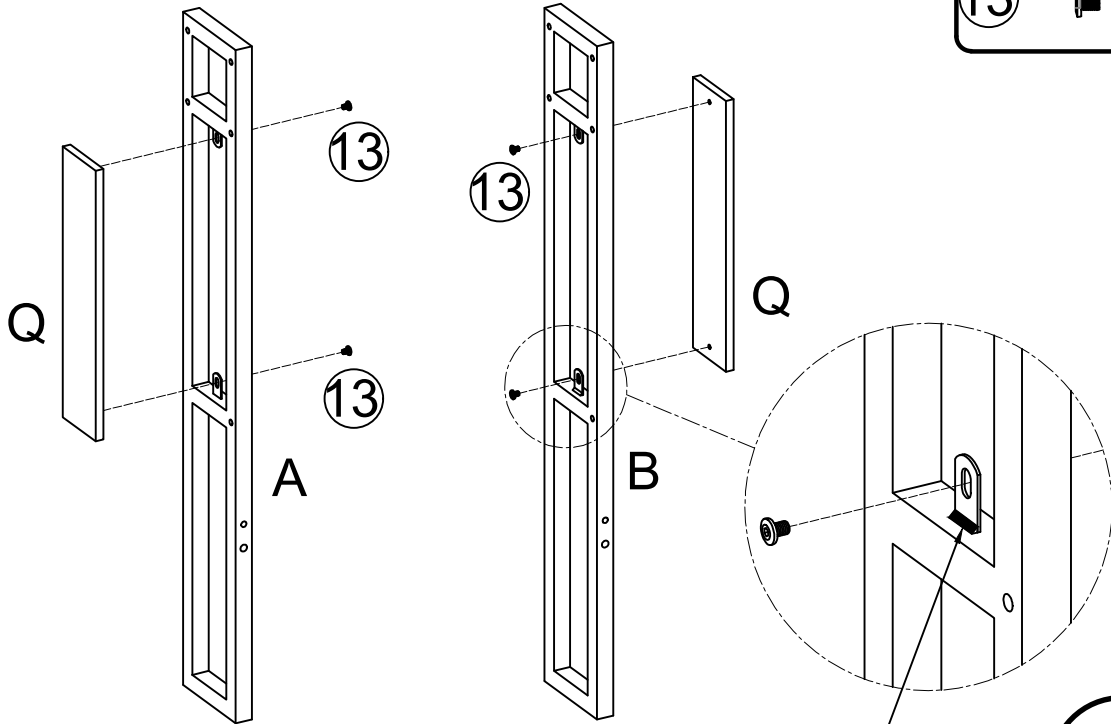
| | | |
|--|--|--|
| <p>A</p>  <p>1 pc</p> | <p>B</p>  <p>1 pc</p> | <p>C</p>  <p>1 pc</p> |
| <p>D</p>  <p>2 pcs</p> | <p>E</p>  <p>2 pcs</p> | <p>F</p>  <p>2 pcs</p> |
| <p>G</p>  <p>1 pc</p> | <p>H</p>  <p>10 pcs</p> | <p>I</p>  <p>2 pcs</p> |
| <p>J</p>  <p>2 pcs</p> | <p>K</p>  <p>1 pc</p> | <p>L</p>  <p>1 pc</p> |
| <p>M</p>  <p>1 pc</p> | <p>N</p>  <p>1 pc</p> | <p>O</p>  <p>3 pcs</p> |
| <p>P</p>  <p>2 pcs</p> | <p>Q</p>  <p>2 pcs</p> | <p>R</p>  <p>4 pcs</p> |
| <p>S</p>  <p>4 pcs</p> | <p>T</p>  <p>4 pcs</p> | |

HARDWARE LIST

| | | |
|---|---|--|
| <p>①</p>  <p>M6x20</p> <p style="text-align: right;">30 pcs</p> | <p>②</p>  <p>M6x40</p> <p style="text-align: right;">10 pcs</p> | <p>③</p>  <p>M8x35</p> <p style="text-align: right;">14 pcs</p> |
| <p>④</p>  <p>M8x50</p> <p style="text-align: right;">4 pcs</p> | <p>⑤</p>  <p>M8</p> <p style="text-align: right;">14 pcs</p> | <p>⑥</p>  <p>M3x12</p> <p style="text-align: right;">2 pcs</p> |
| <p>⑦</p>  <p>14MM</p> <p style="text-align: right;">1 pc</p> | <p>⑧</p>  <p>M5</p> <p style="text-align: right;">1 pc</p> | <p>⑨</p>  <p>M4</p> <p style="text-align: right;">1 pc</p> |
| <p>⑩</p>  <p style="text-align: right;">1 pc</p> | <p>⑪</p>  <p>RF Remote Control</p> <p style="text-align: right;">1 pc</p> | <p>⑫</p>  <p style="text-align: right;">1 pc</p> |
| <p>⑬</p>  <p>M6x8</p> <p style="text-align: right;">28 pcs</p> | <p>⑭</p>  <p>M6x27</p> <p style="text-align: right;">8 pcs</p> | <p>⑮</p>  <p style="text-align: right;">1 pc</p> |
| <p>⑯</p>  <p>Ø30</p> <p style="text-align: right;">16 pcs</p> | <p>⑰</p>  <p>M4x6</p> <p style="text-align: right;">32 pcs</p> | <p>⑱</p>  <p>M4</p> <p style="text-align: right;">32 pcs</p> |
| <p>⑲</p>  <p>M6x10</p> <p style="text-align: right;">8 pcs</p> | <p>⑳</p>  <p style="text-align: right;">16 pcs</p> | <p>㉑</p>  <p>M6x10</p> <p style="text-align: right;">32 pcs</p> |

STEP 1

13  x4



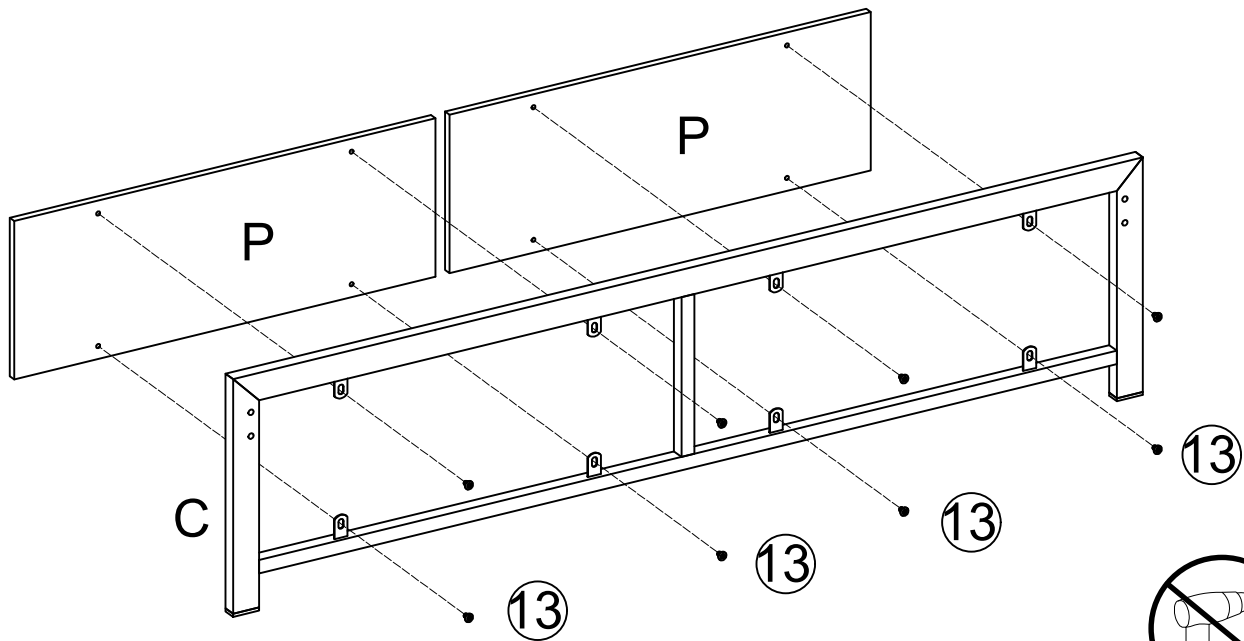
Please notice the direction of Part A and Part B as shown

Welding spot



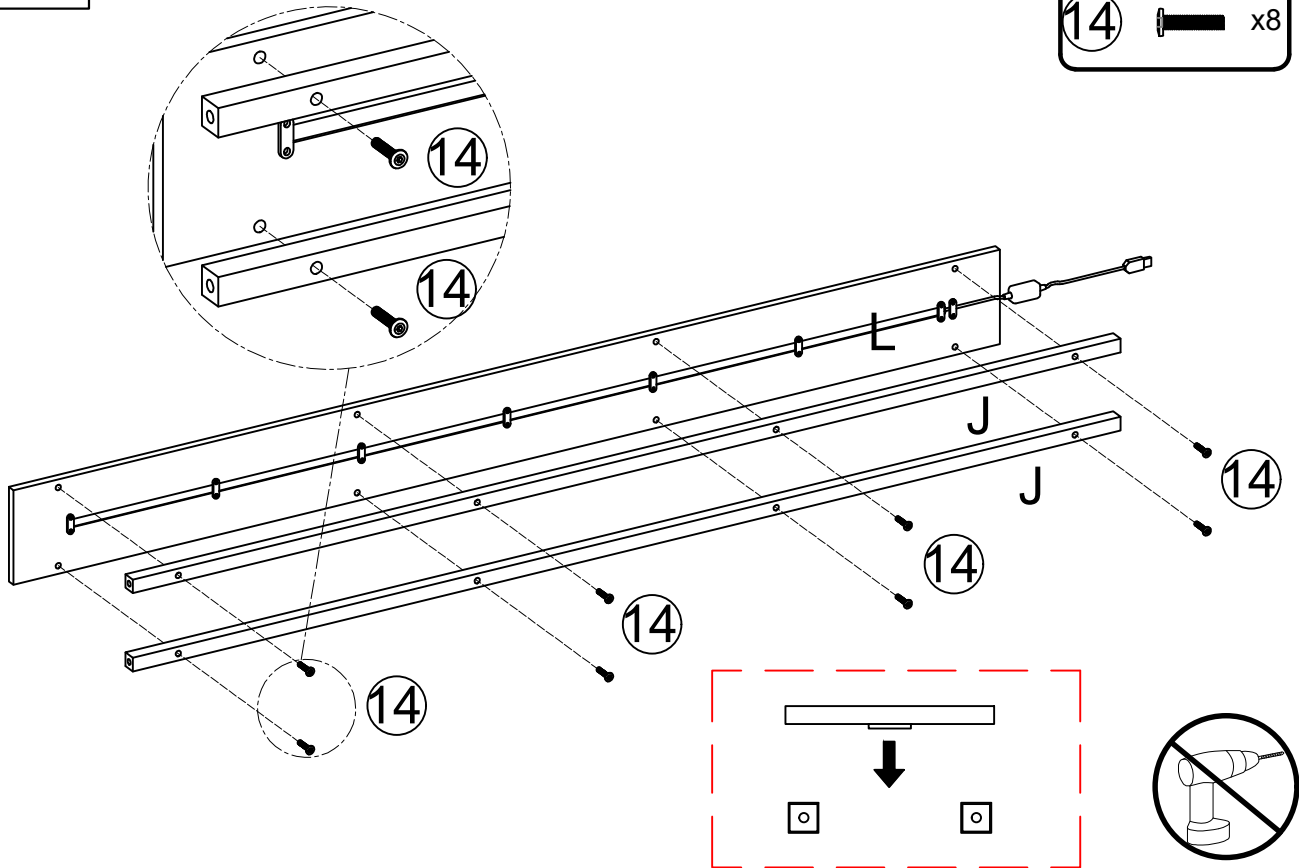
STEP 2

13  x8



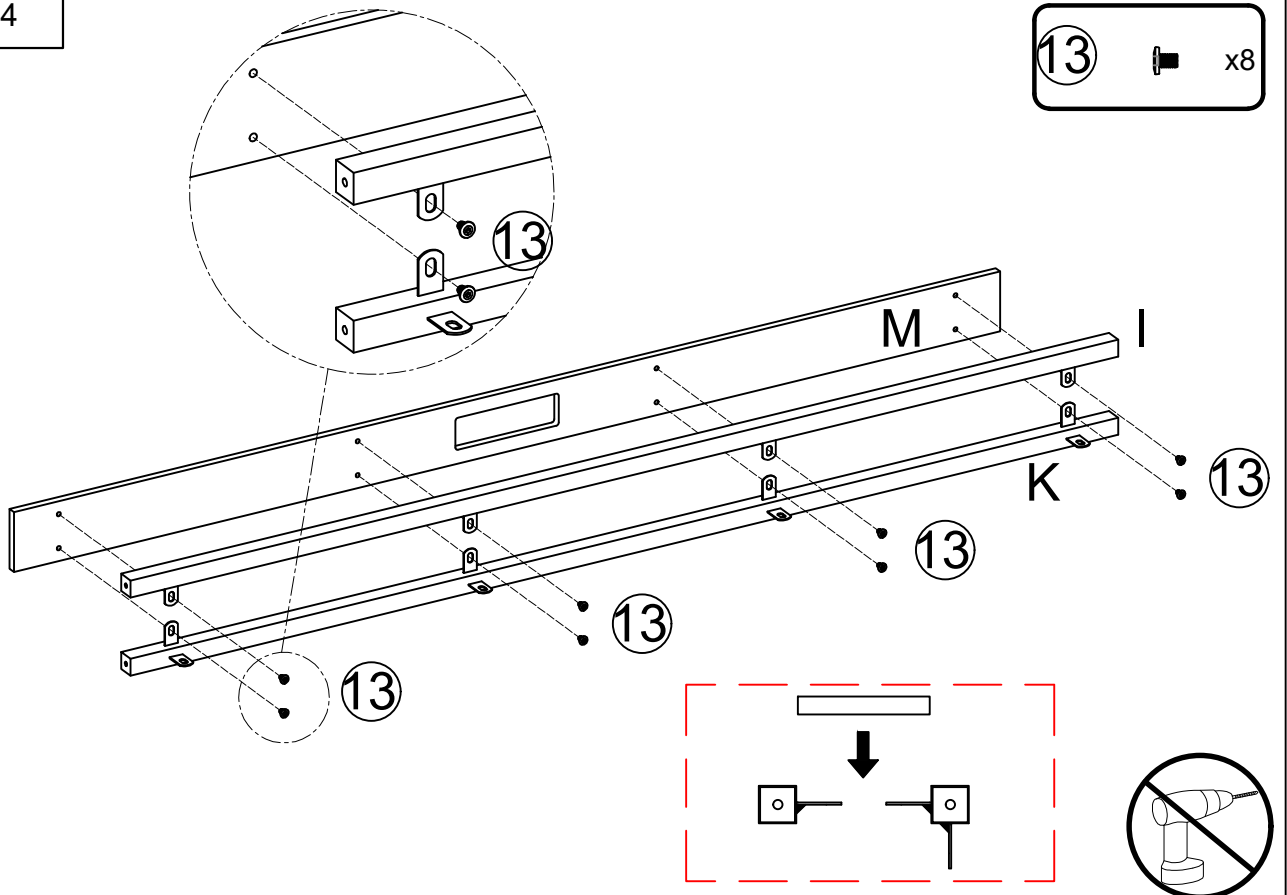
STEP 3

14  x8



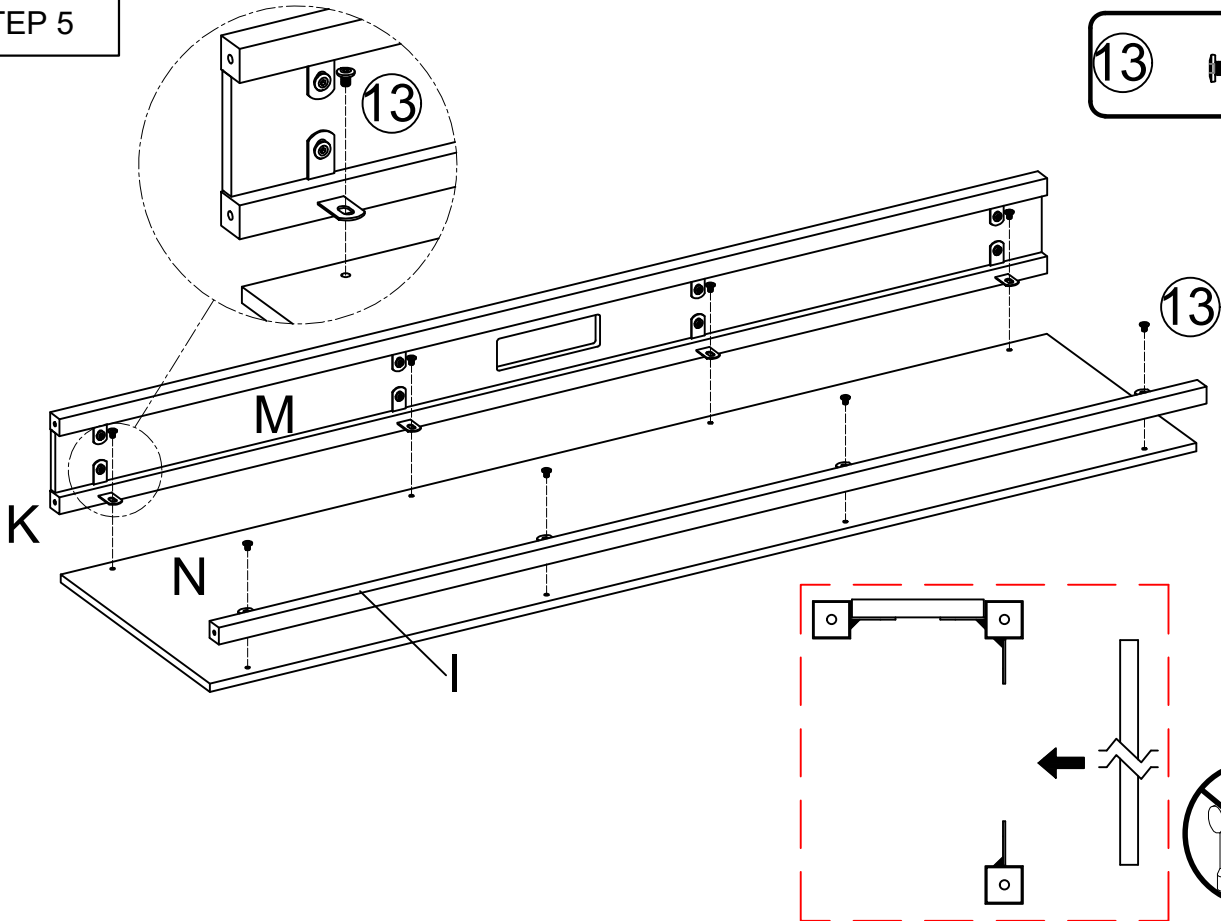
STEP 4

13  x8



STEP 5

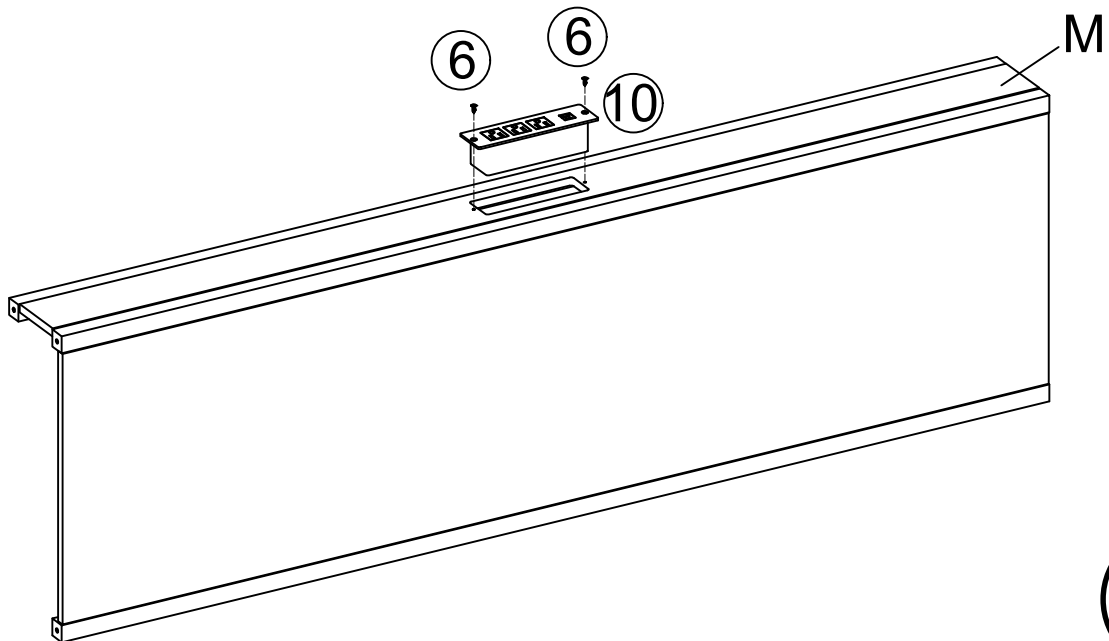
13  x8



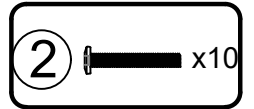
STEP 6

6  x2

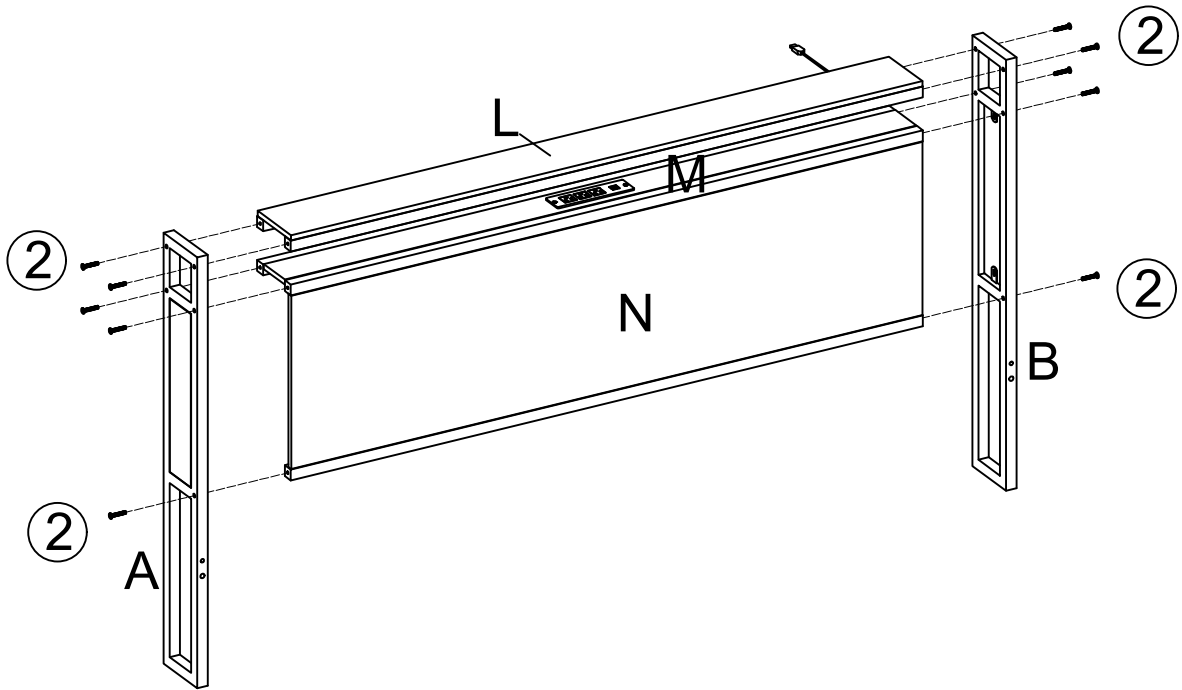
10  x1



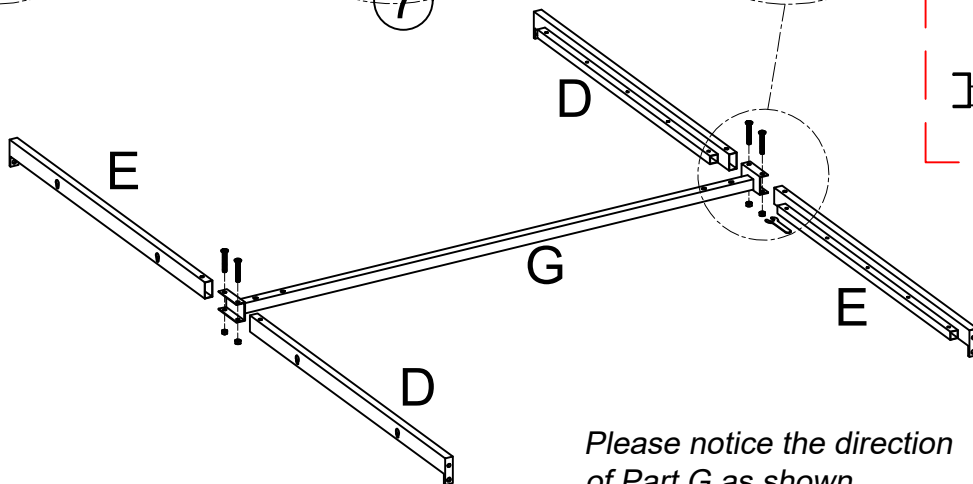
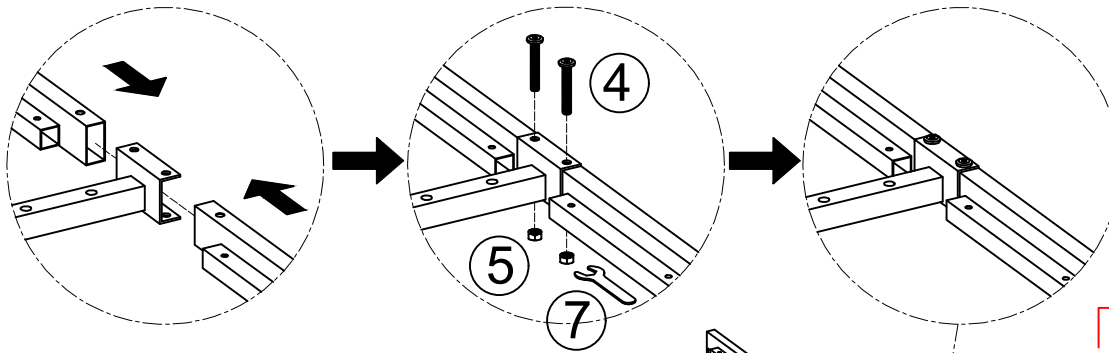
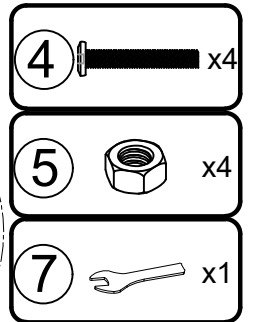
STEP 7



Don't fully tighten the screws until aligning all of the cross bars.

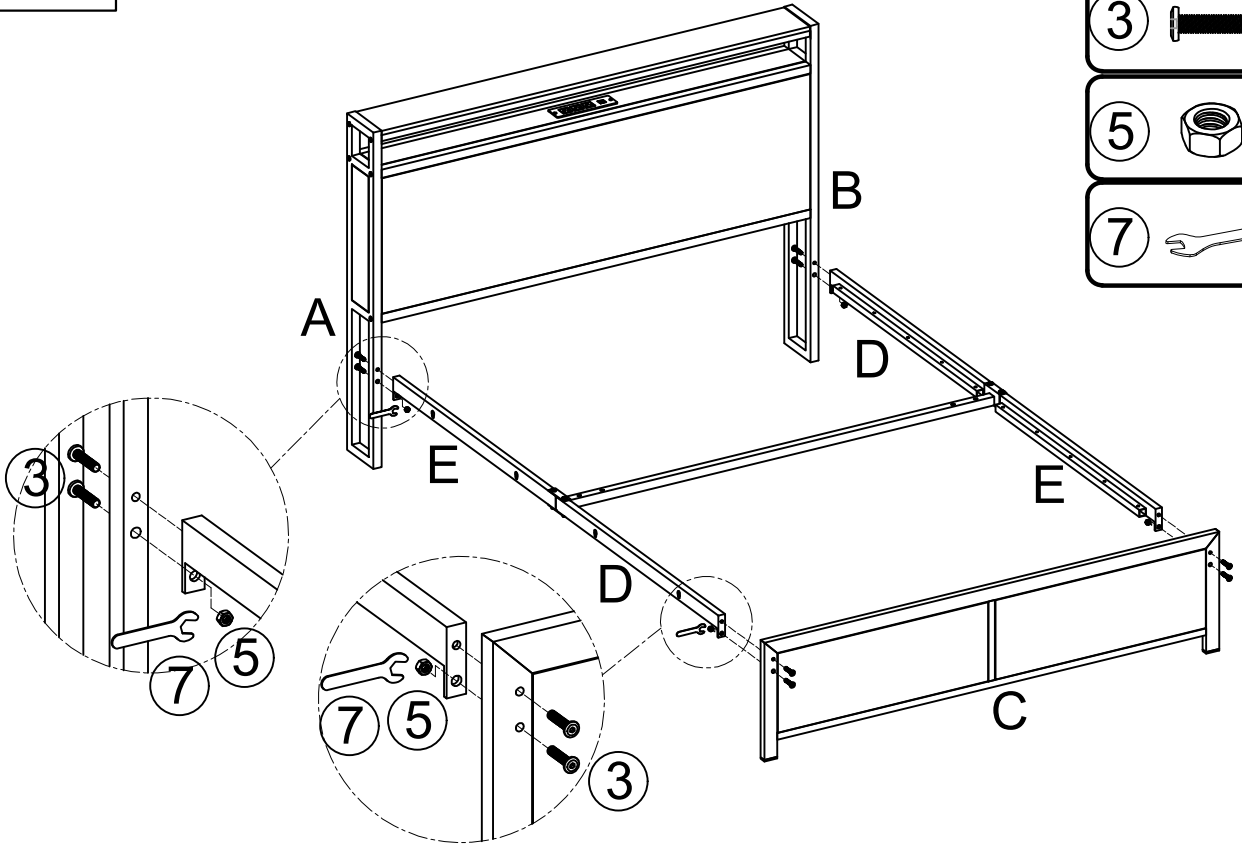


STEP 8

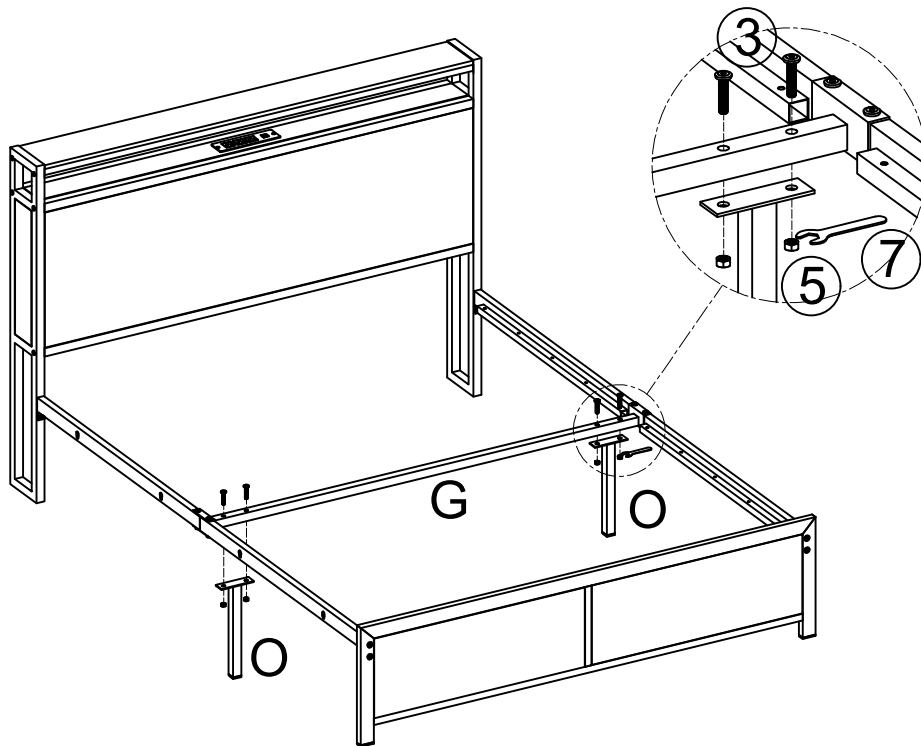


Please notice the direction of Part G as shown

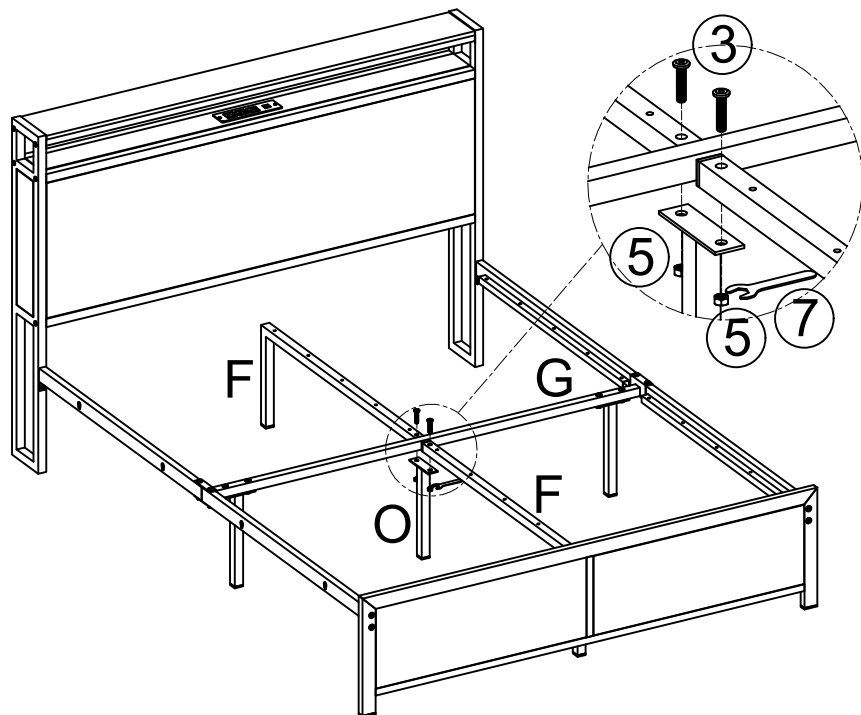
STEP 9






STEP 10

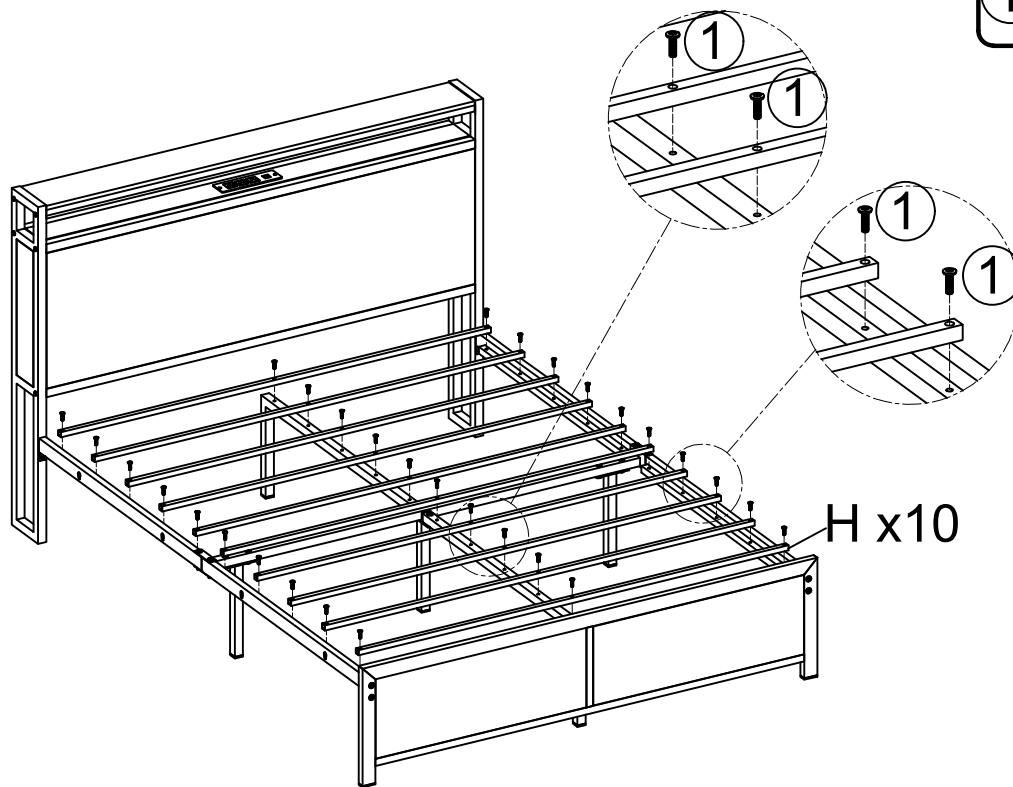



STEP 11



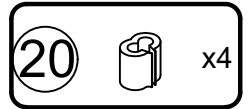
- 3  x2
- 5  x2
- 7  x1

STEP 12

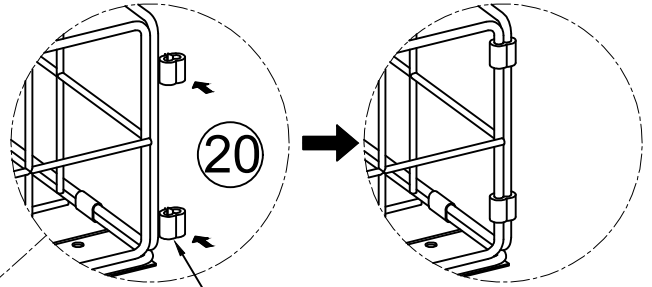
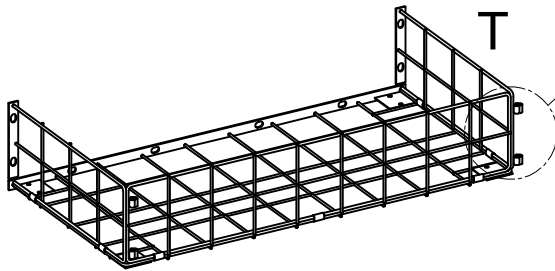
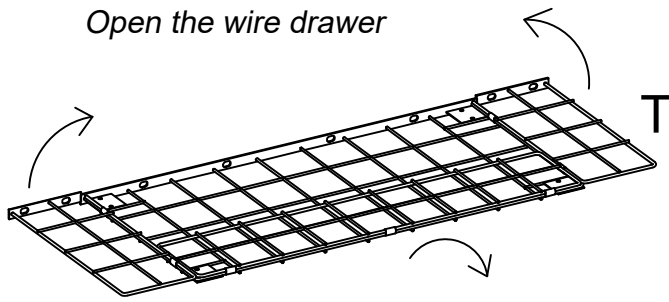


- 1  x30

STEP 13

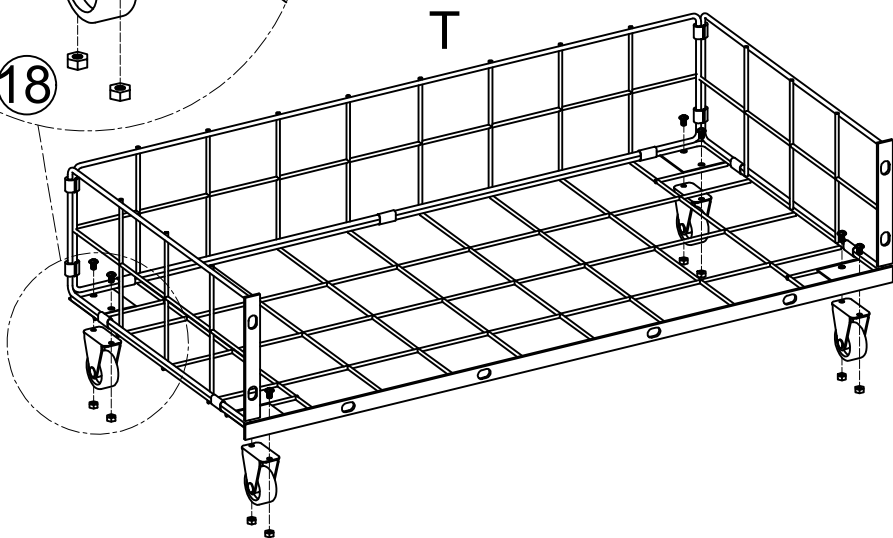
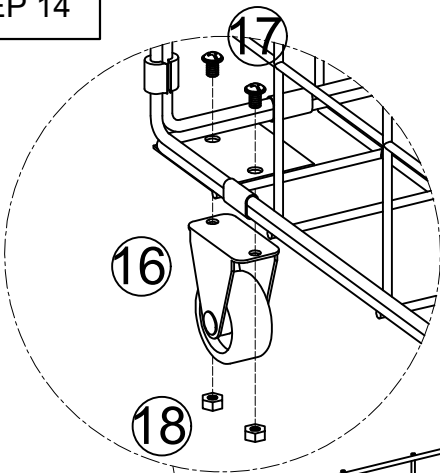
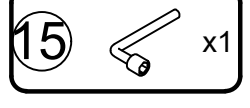
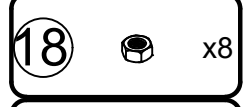
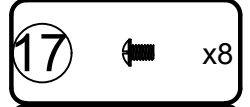
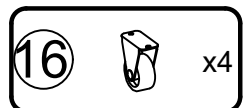


Open the wire drawer




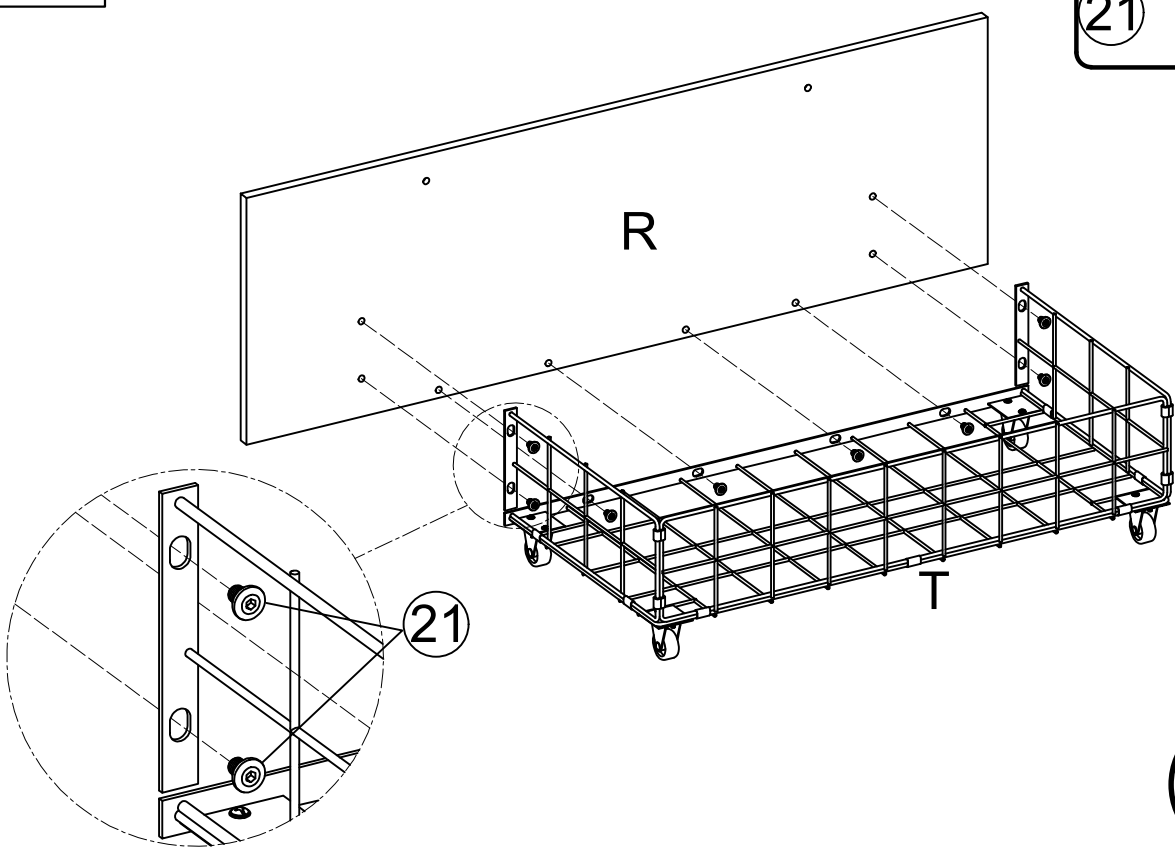
Press the plastic hook into the wire frame.

STEP 14

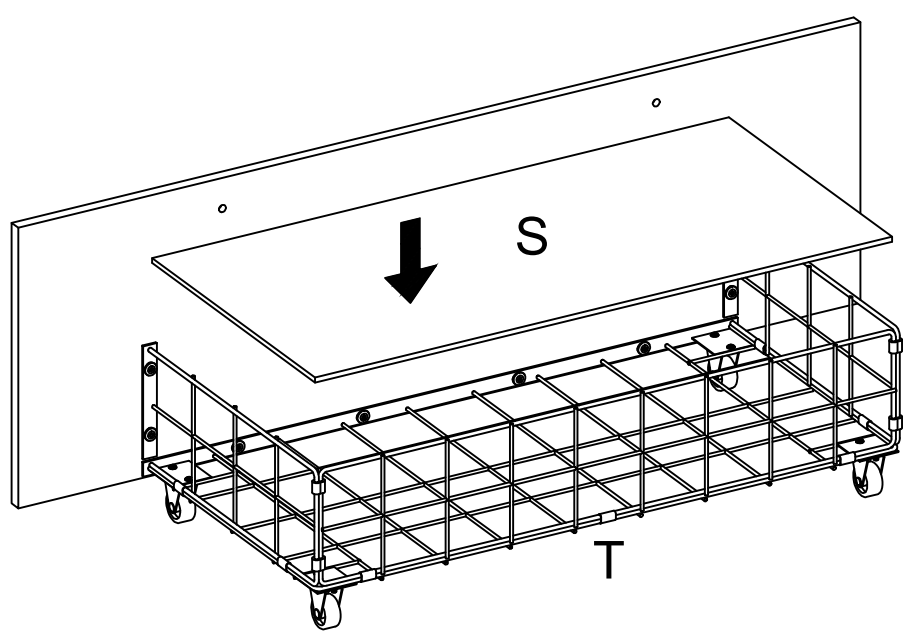


STEP 15

21  x8

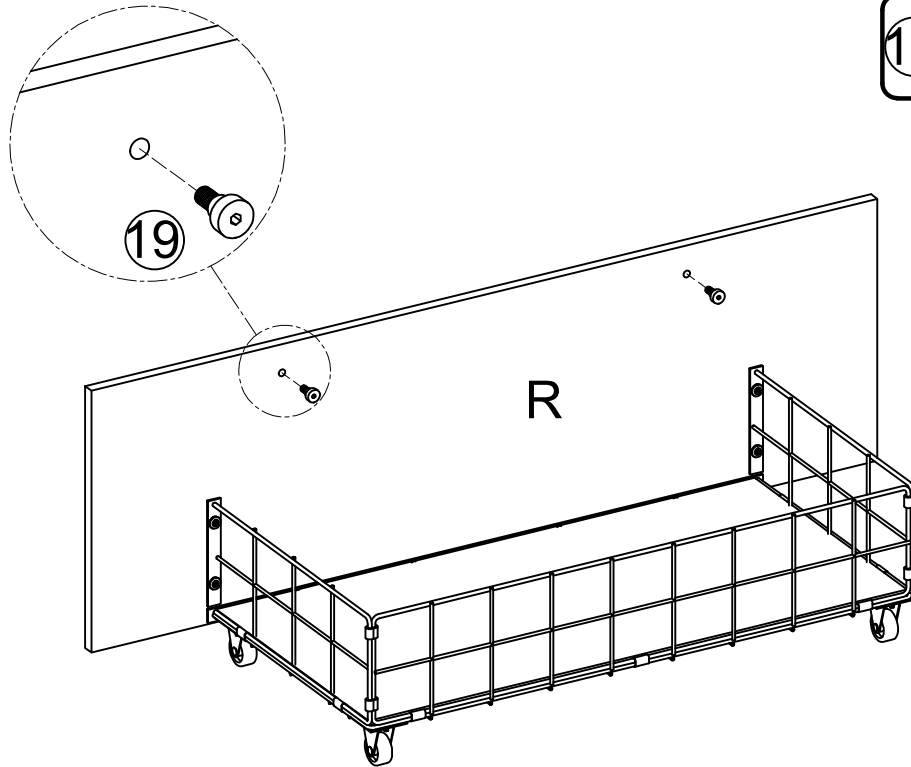


STEP 16



STEP 17

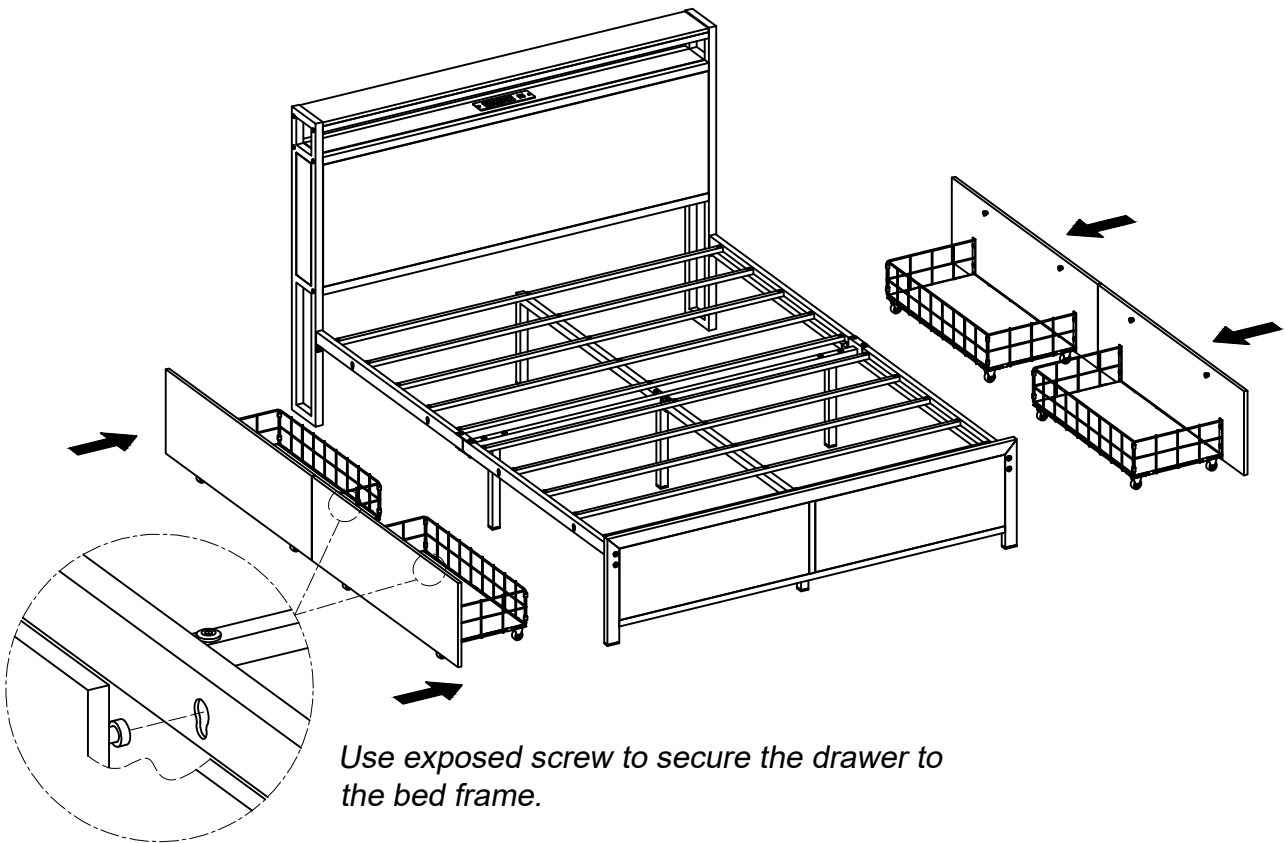
19  x2



NOTICE:
The installation for all the four storage drawers is base on the five steps (13-17) above.



STEP 18



Use exposed screw to secure the drawer to the bed frame.