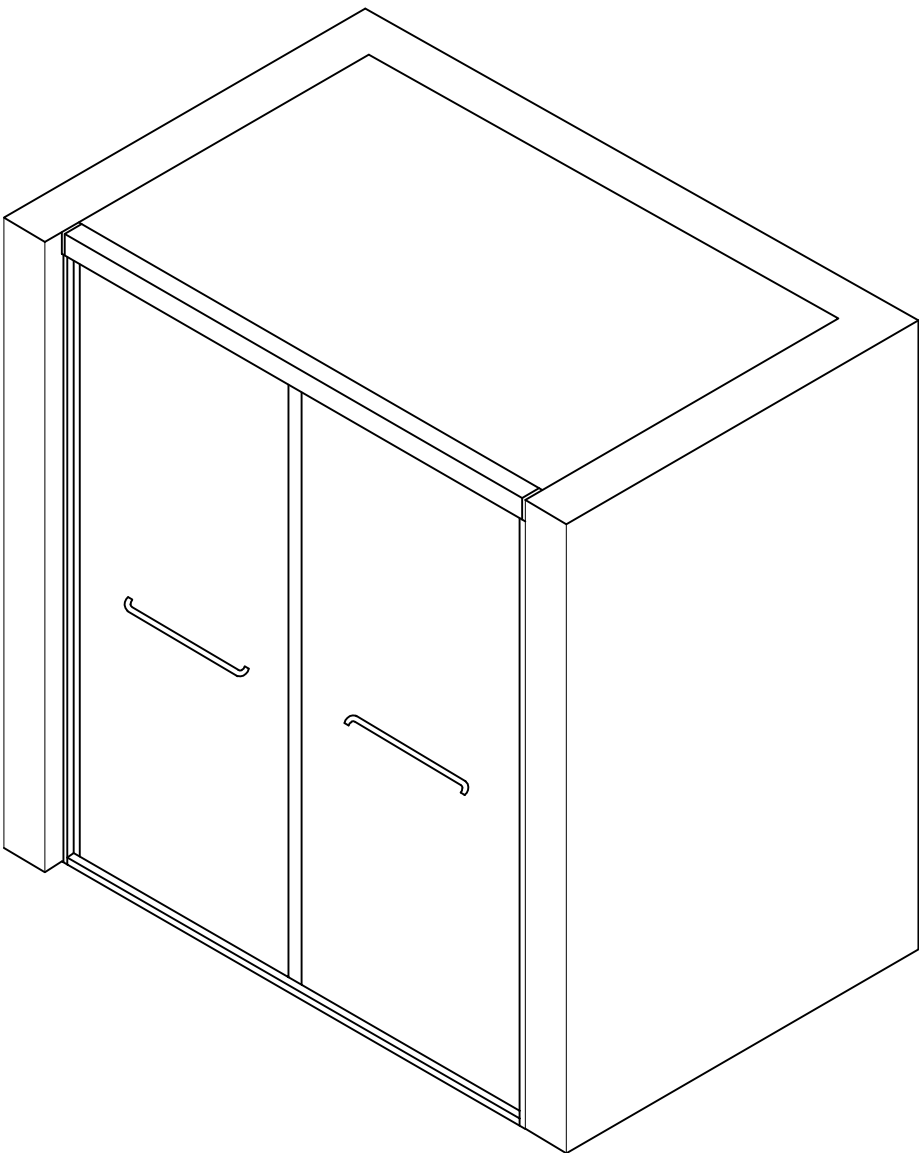


INSTALLATION MANUAL - INSTALLATION GUIDE



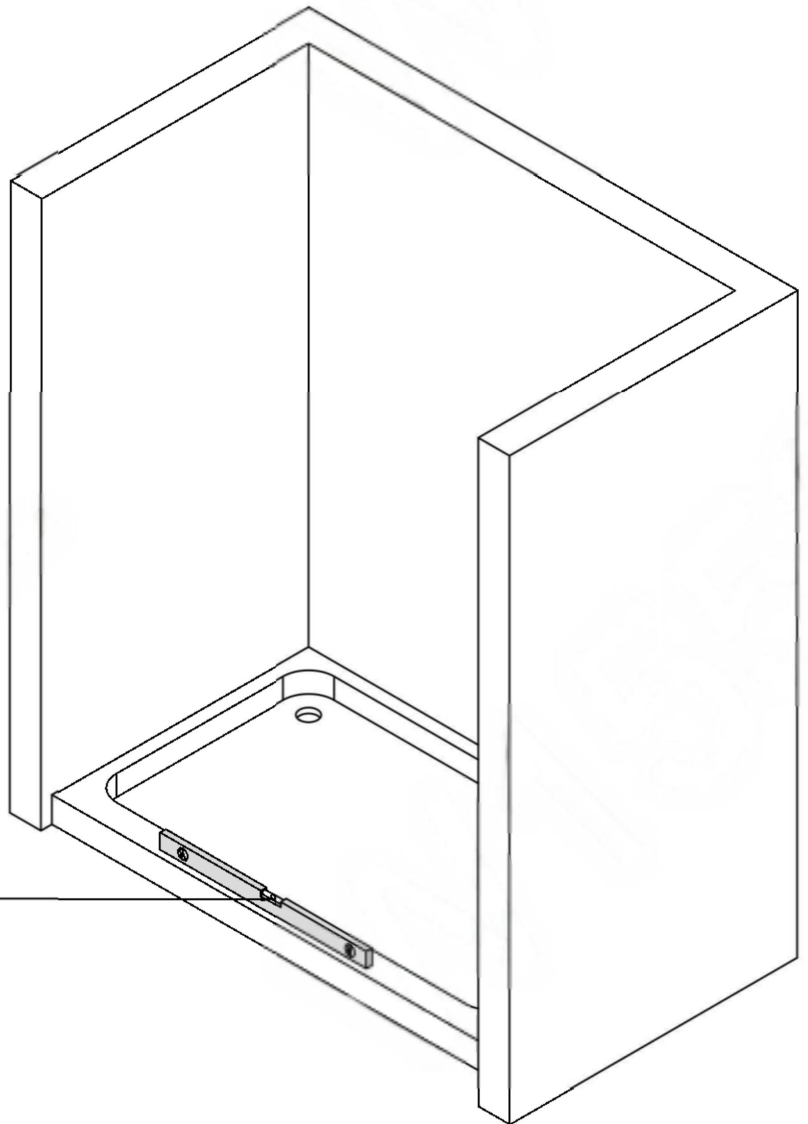
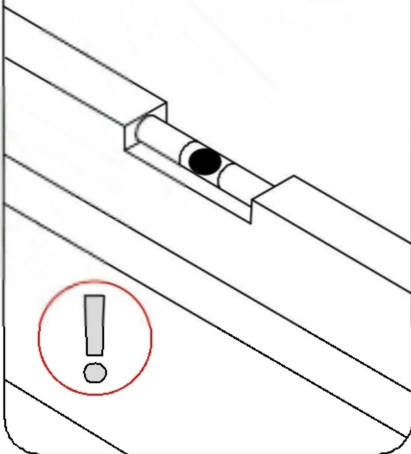
## Model Specific Preparation



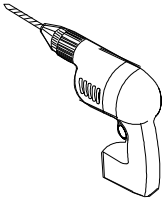
### REQUIRED:

Inspect the shower threshold for level with a level or straightedge. Adjust the threshold as necessary until achieving perfectly horizontal.

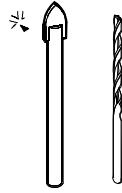
The threshold must be perfectly horizontal.



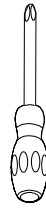
REQUIRED TOOLS



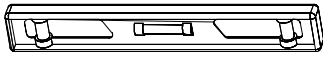
**DRILL**  
PERCEUSE



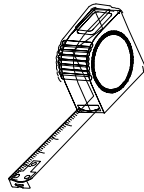
**1/4" & 1/8" DRILL BITS**  
MÈCHES 1/4" & 1/8"



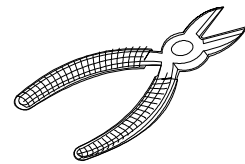
**SCREWDRIVER**  
TOURNEVIS



**LEVEL**  
NIVEAU



**TAPE MEASURE**  
RUBAN À MESURER



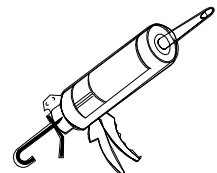
**CUTTING PLIER**  
PINCE COUPANTE



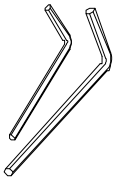
**PENCIL**  
CRAYON



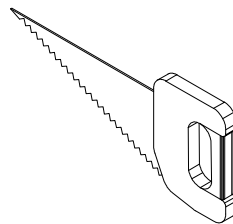
**MALLET**  
MAILLET



**SILICONE**  
SCELLANT



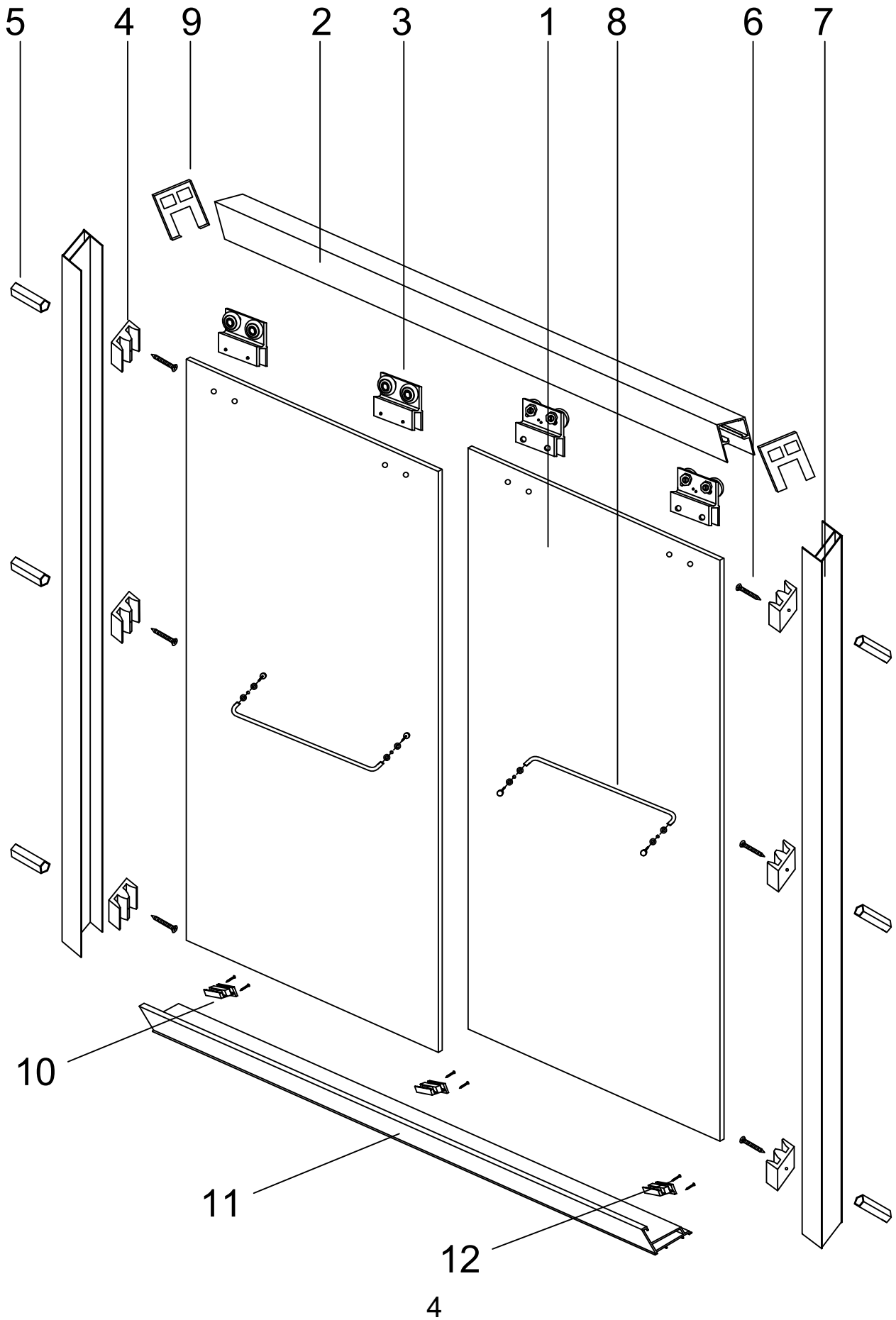
**ALLEN KEY**  
2mm&2.5mm&4mm&5mm



Saw  
Saw

**\* Use a 1/4" drill bit for ceramic when drilling into ceramic tiles**

# MATERIAL'S LIST



## MATERIAL'S LIST

---

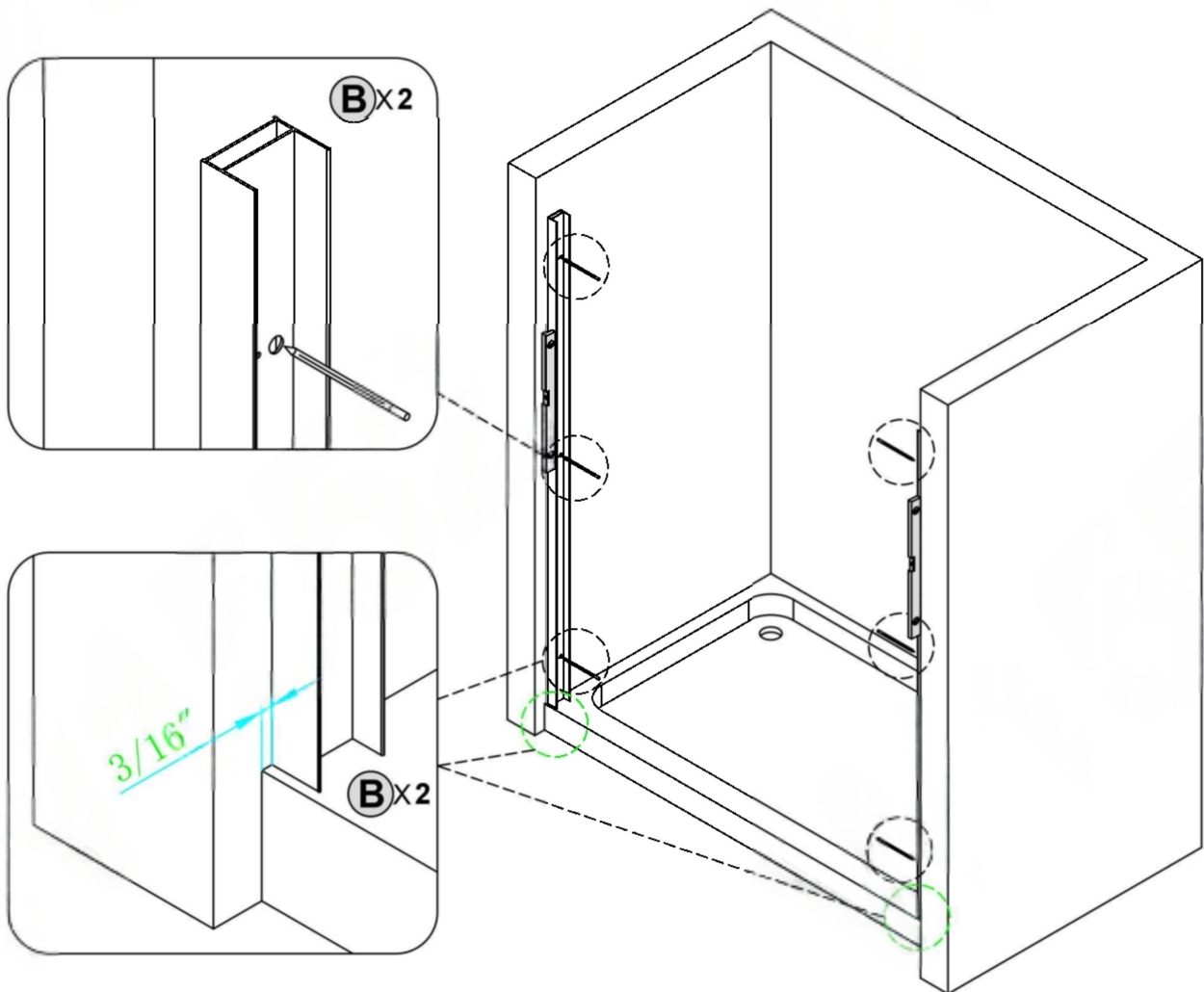
ITEM	NAME	QTY	PICTURE
1	DOOR GLASS	2	
2	Guide rails	1	
3	Wheel	4	
4	Anti-collision rubber	6	
5	Expansion beads	6	
6	4*25 screws	6	
7	Wall mounted profiles	2	
8	HANDLE	2	
9	Decorative cover	2	
10	Lower slider	3	
11	Bottom profile	1	
12	4*10 screws	6	
13			
14			
15			
16			
17			
18			
19			
20			
21			

Note: The installation requires materials according to the list quantity some materials will be reserved more.

## 1 Install **Wall Jambs (B)**

**NOTE**

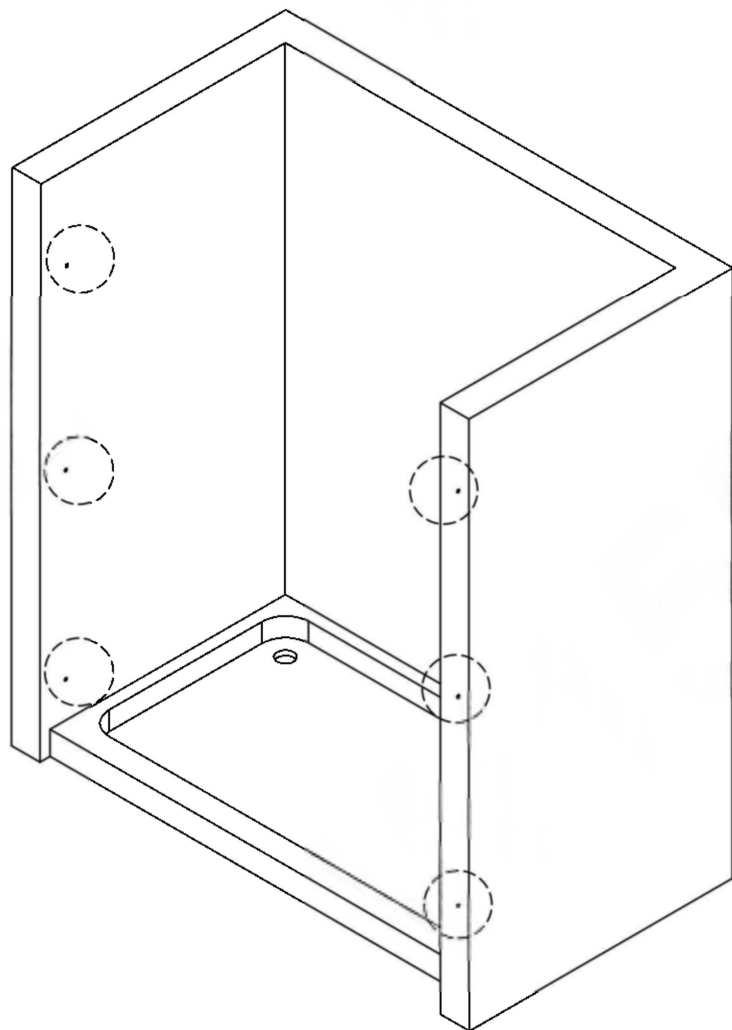
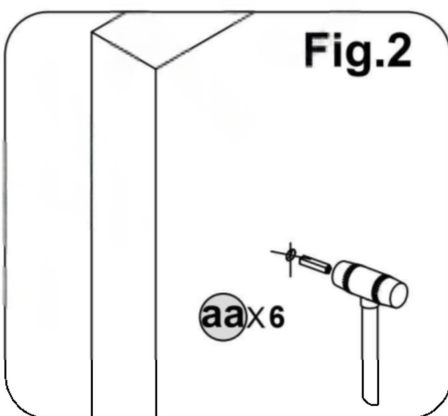
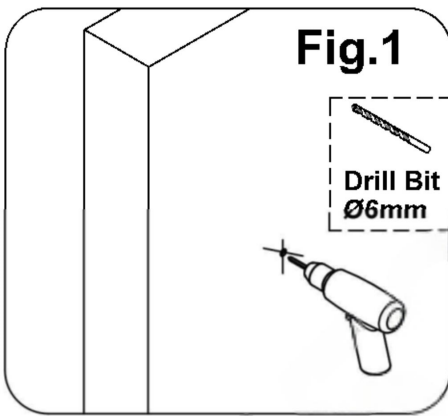
1. Place **Wall Jambs (B)** 3/16" (4.3 mm) from the edge. Ensure it is vertical using a level.
2. Mark the holes on the left and right **Wall Jambs (B)** with a pencil.



**2** Install **Wall Jambs (B)**

**NOTE**

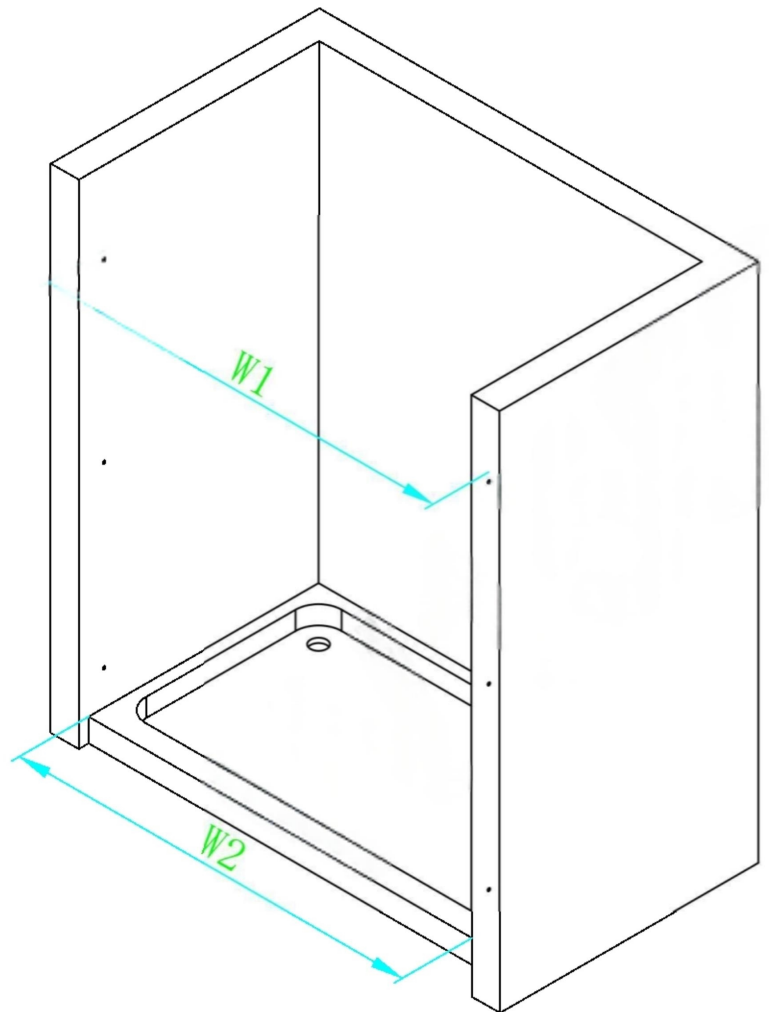
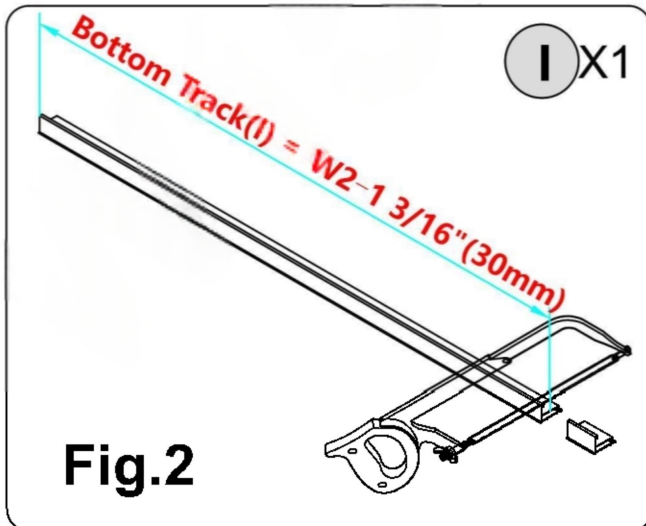
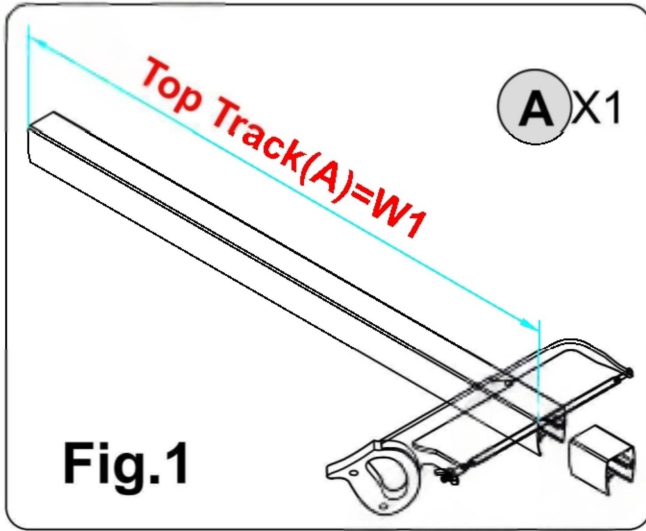
1. Mark the holes on the left and right **Wall Jambs (B)** with a pencil.
2. Tap **Wall Anchor Ø6X28mm (aa)** into the holes with a soft hammer.



### 3 Cut **Top Track (A)** and **Bottom Track (I)**

**NOTE**

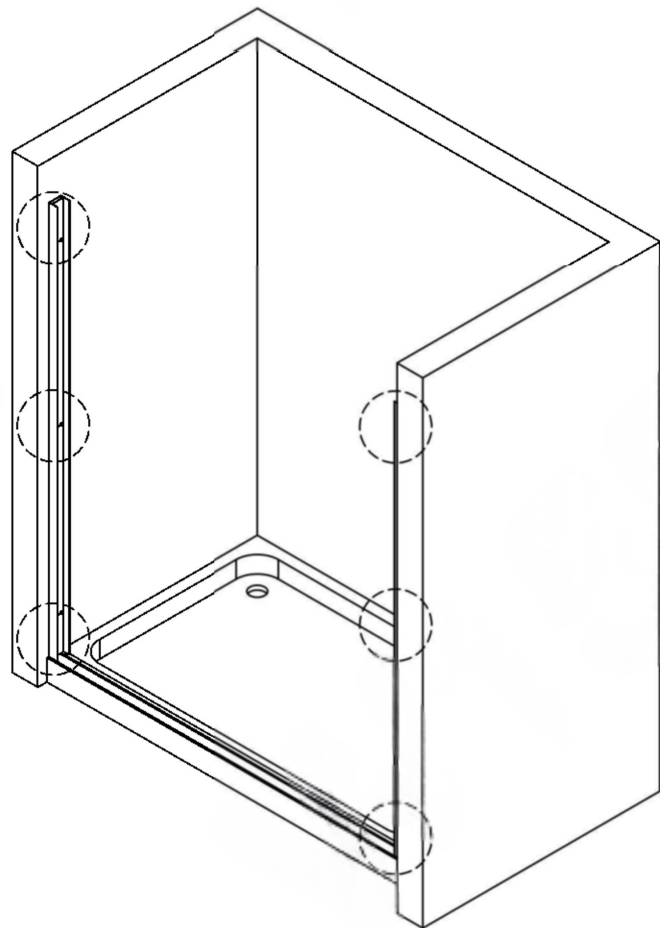
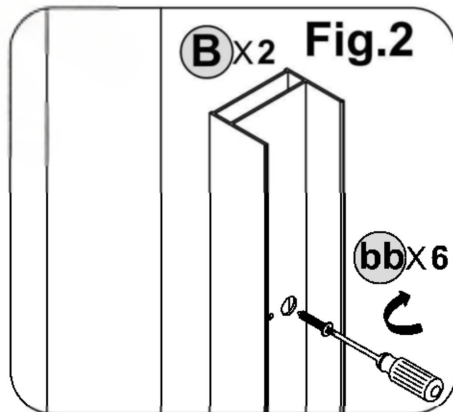
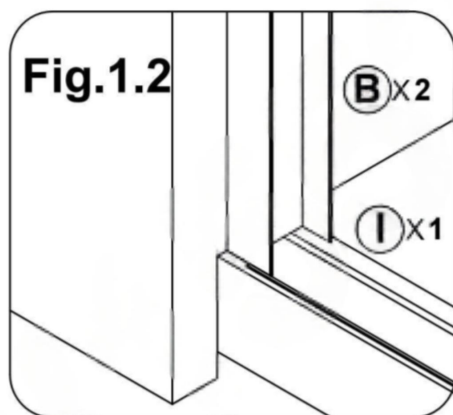
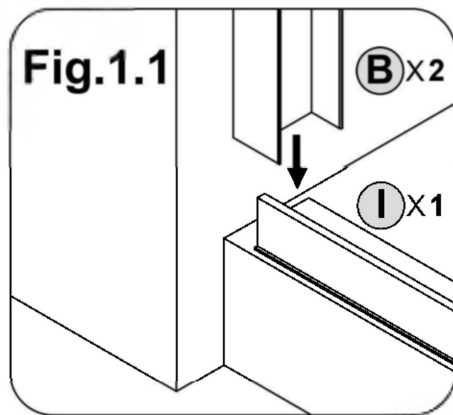
1. Cut **Top Track (A)** to the length of  $W1$ .
2. Cut off the excess part of **Bottom Track (I)**. The length of **Bottom Track (I)** = measurement  $W2$  subtract  $1 \frac{3}{16}$ " (30 mm).



**4** Install **Bottom Track (I)**

**NOTE**

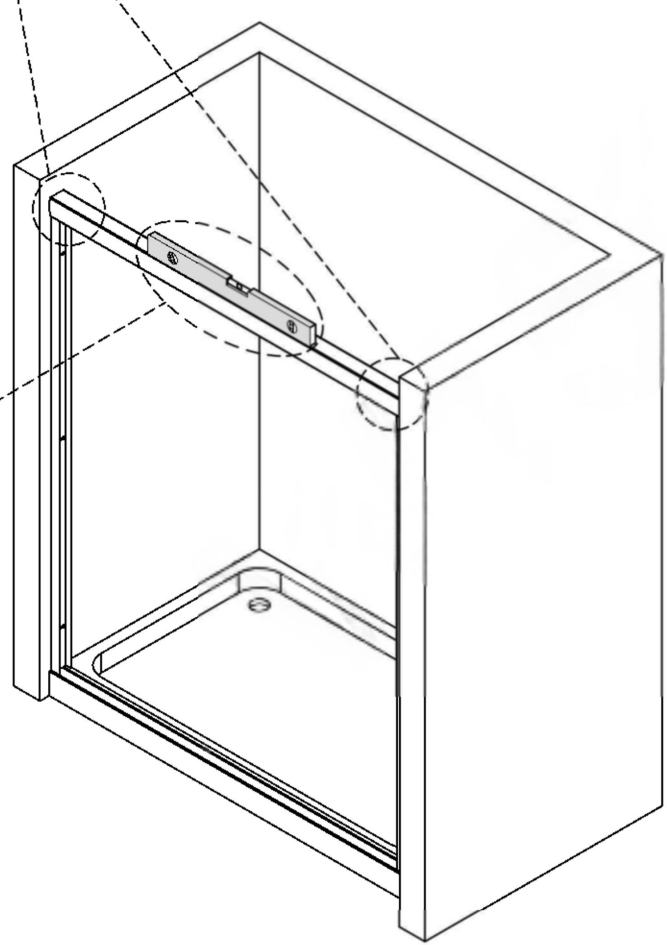
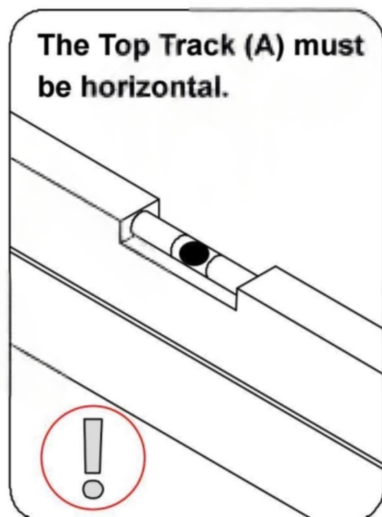
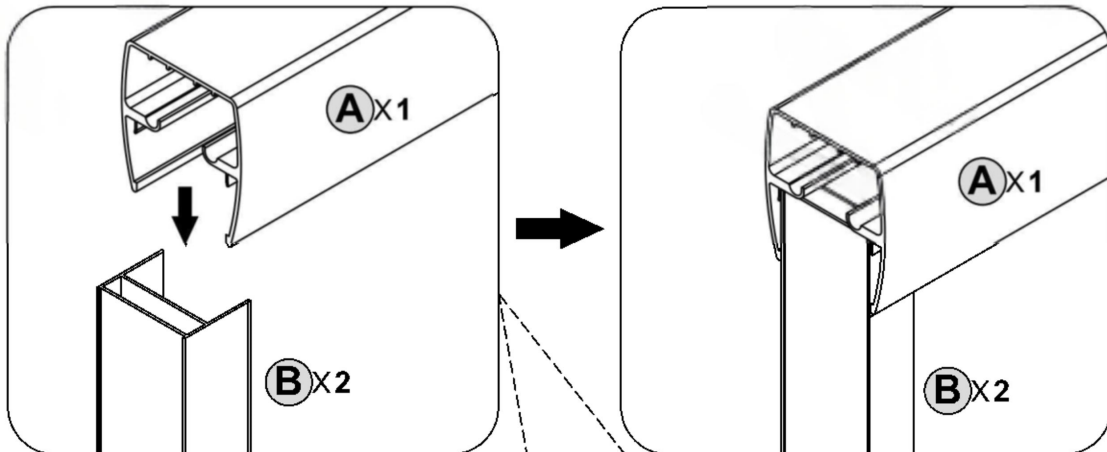
1. Place **Bottom Track (I)** in the appropriate position on the stone foundation. Lift **Wall Jambs (B)** and insert its ends into both sides of **Bottom Track (I)**.
2. Use **Countersunk Self-Tapping Screw ST4x30mm (bb)** to fasten the left and right **Wall Jambs (B)** securely to the wall.



**5** Install **Top Track (A)**

**NOTE**

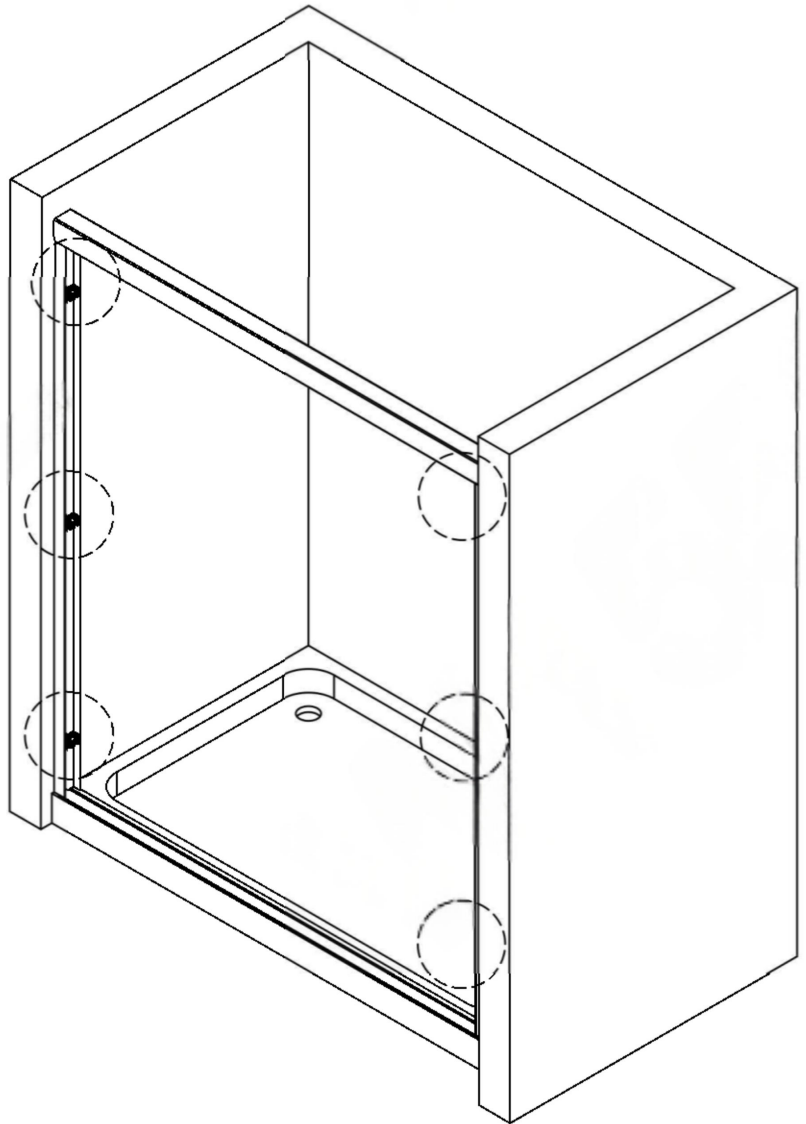
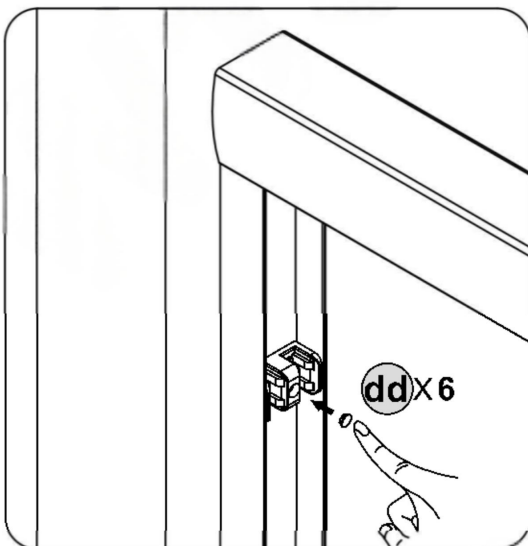
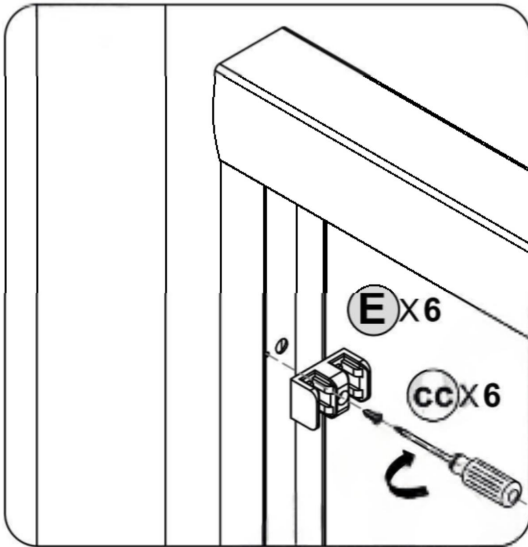
Insert **Top Track (A)** into **Wall Jambs (B)** respectively.



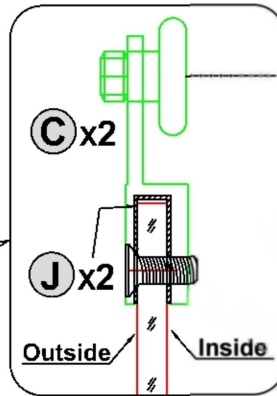
## 6 Install Jamb Bumpers (E)

NOTE

1. Use **Countersunk Self-Tapping Screw ST4x10mm (cc)** to attach **Jamb Bumpers (E)** to the left and right **Wall Jamb (B)**.
2. Place **Decorative Cap (dd)** over the **Countersunk Self-Tapping Screw (cc)**.



**7** Install **Top Roller Bracket (C)** on the **Inside Door Panel (D1)**. Ensure that the wheels are turned inward.



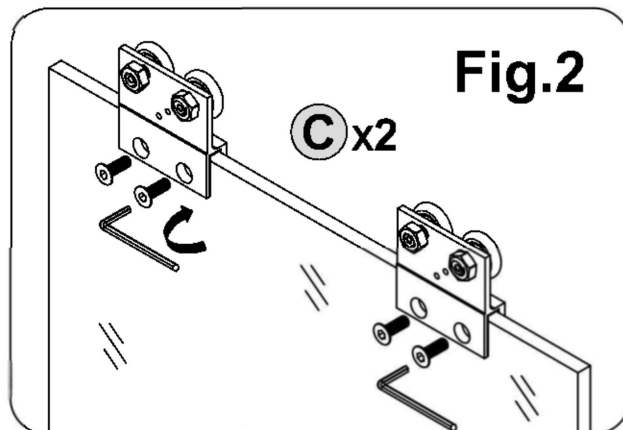
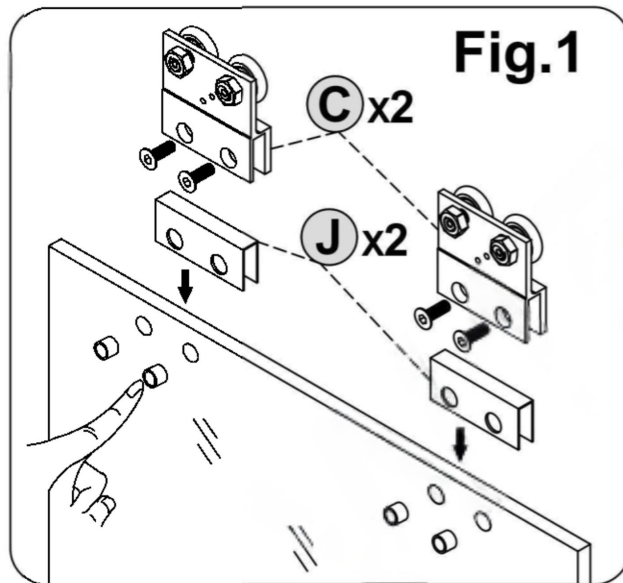
The wheels are turned inward.

**NOTE**

1. Insert the plastic pipe into **Inside Door Panel (D1)**. Then, insert **Plastic Spacer (J)** and **Top Roller Bracket (C)** into the appropriate position of the **Inside Door Panel (D1)**.
2. Install the 4 screws of **Top Roller Bracket (C)** with an inner hexagon wrench.



**D1**X1

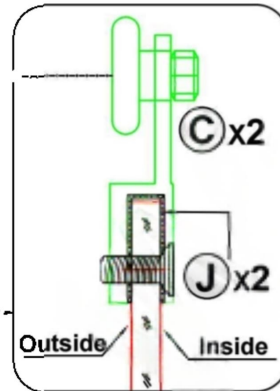


8

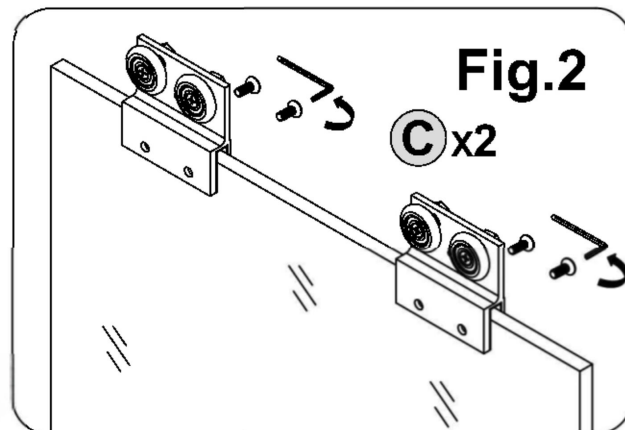
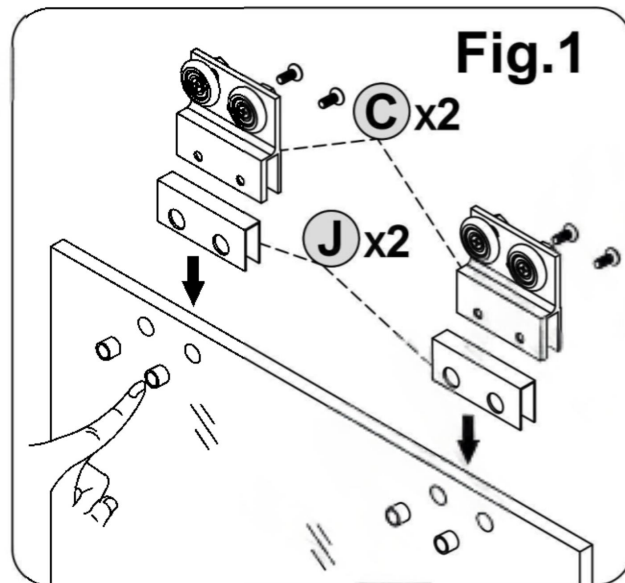
Install **Top Roller Bracket (C)** on **Outside Door Panel (D2)**. Ensure that the wheels are turned outward.

The wheels are turned inward.

NOTE



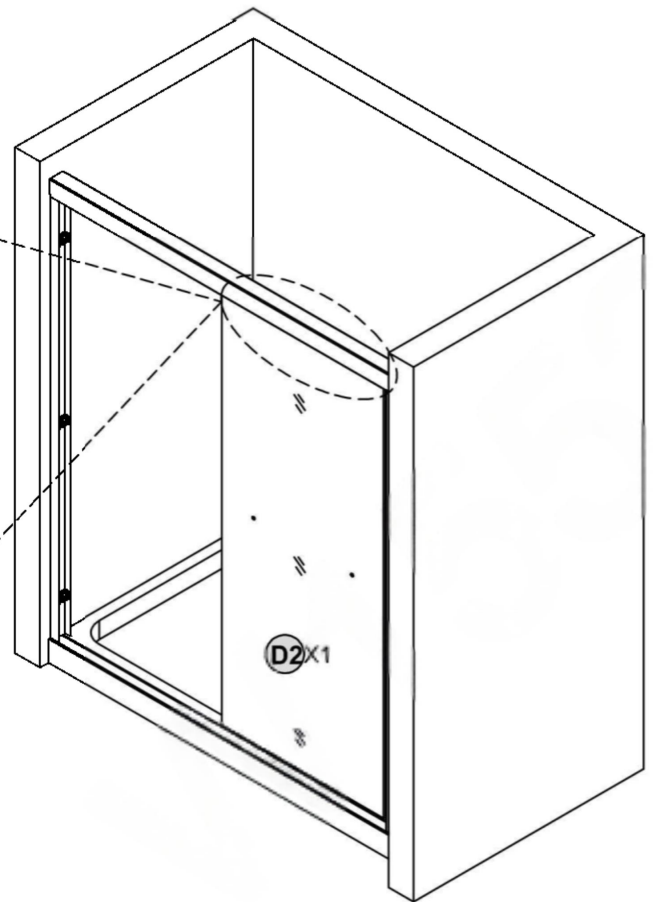
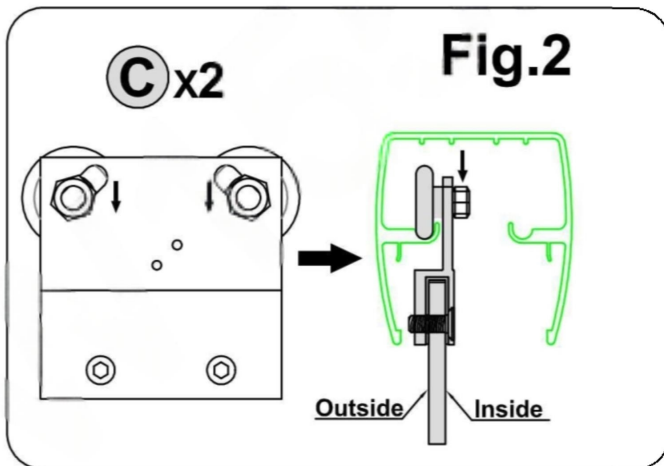
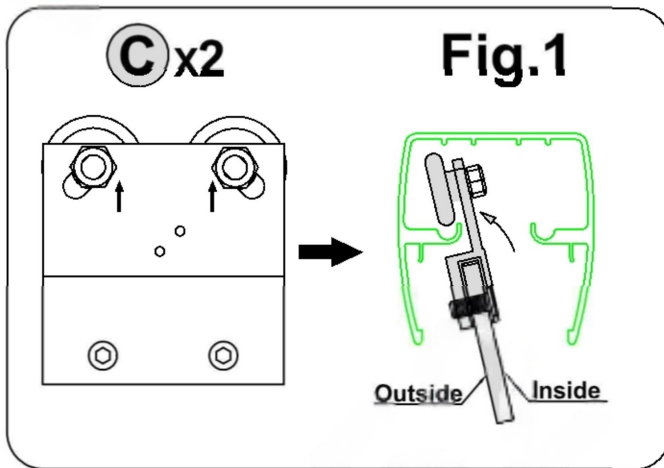
1. Insert the plastic pipe into **Outside Door Panel (D2)**. Then, insert **Plastic Spacer (J)** and **Top Roller Bracket (C)** into the appropriate position of the **Outside Door Panel (D2)**.
2. Install the 4 screws of **Top Roller Bracket (C)** with an inner hexagon wrench.



## 9 Install Outside Door Panel (D2)

NOTE

1. Adjust the wheel of **Top Roller Bracket (C)** to the highest point. Lift **Outside Door Panel (D2)** and insert it diagonally into the chute of **Top Track (A)**. Ensure the correct insertion direction.
2. After inserting **Top Roller Bracket (C)** into the chute of **Top Track (A)**, lower the wheel to the lowest point to secure it.



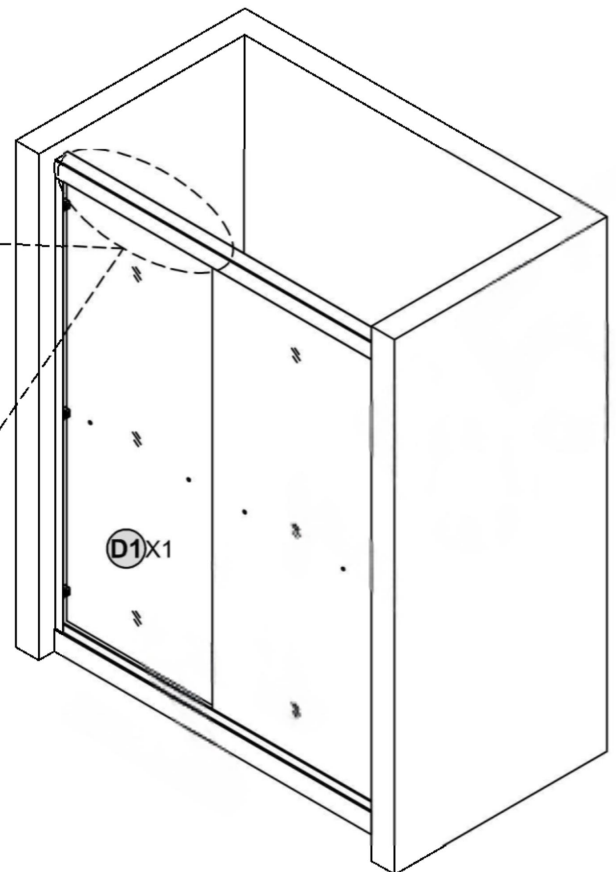
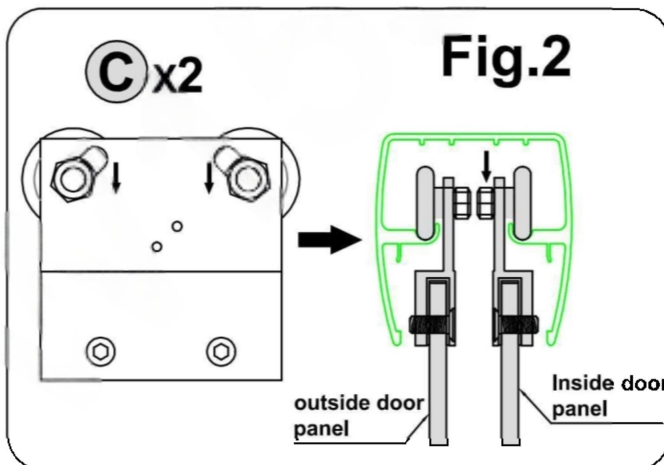
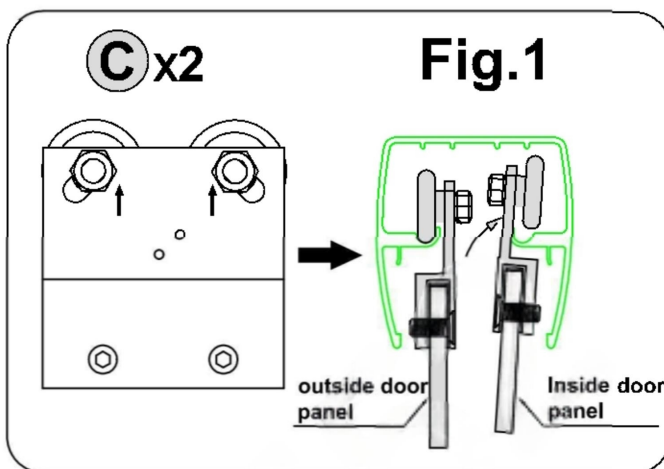
NOTE

Do not install the towel bar on the glass unless instructed.  
 Do not use the towel bar to lift the door panel.  
 Adjust the wheels of the **Top Roller Bracket (C)** if needed to align the door panel vertically with the wall to prevent water leakage.

# 10 Install Inside Door Panel (D1)

NOTE

1. Adjust the wheel of **Top Roller Bracket (C)** to the highest point. Lift **Inside Door Panel (D1)** and insert it diagonally into the chute of **Top Track (A)**. Ensure the correct insertion direction.
2. After inserting **Top Roller Bracket (C)** into the chute of **Top Track (A)**, lower the wheel to the lowest point to secure it.



NOTE

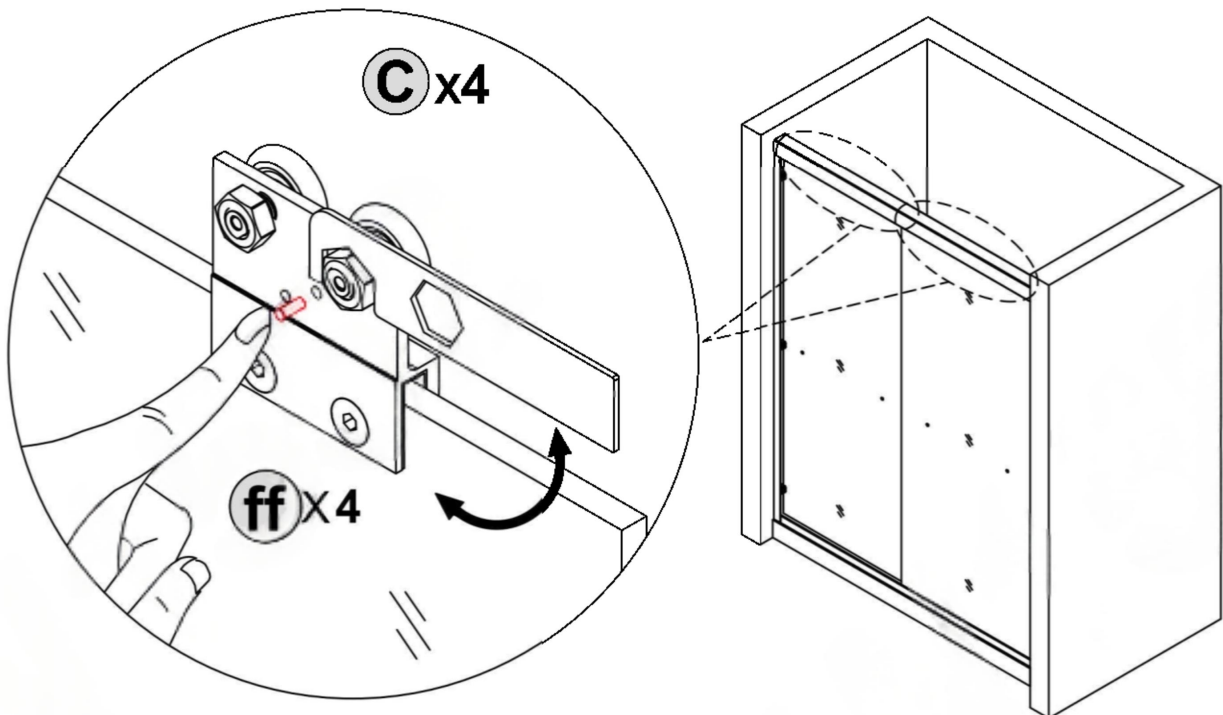
Do not install the towel bar on the glass unless instructed.  
 Do not use the towel bar to lift the door panel.  
 Adjust the wheels of the **Top Roller Bracket (C)** if needed to align the door panel vertically with the wall to prevent water leakage.

**11** Adjust the Height of the **Inside Door Panel (D1)** and the **Outside Door Panel (D2)**

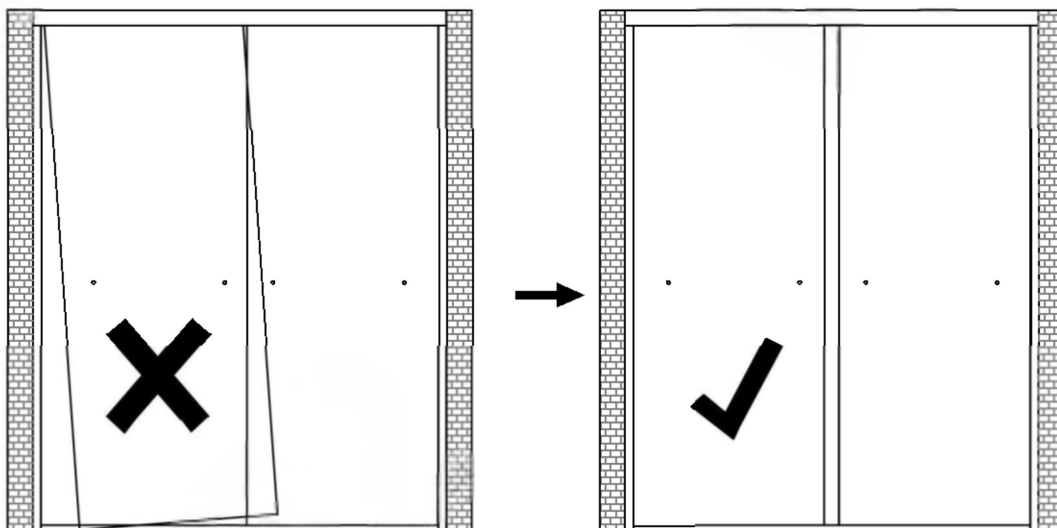
NOTE

Adjust the **Top Roller Bracket (C)** to the appropriate height to ensure that both **Door Panels (D1&D2)** slide smoothly, and tighten the nuts on the wheels. Then press the **Derailment-Preventing Rubber Plug (ff)** into the hole of the **Top Roller Bracket (C)**.

(Note: when **Top Roller Bracket (C)** be adjusted to a high position, the **Derailment-Preventing Rubber Plug (ff)** is pressed into the upper hole. And when **Top Roller Bracket (C)** should adjusted to a low position, the **Derailment-Preventing Rubber Plug (ff)** is pressed into the lower hole.)



NOTE

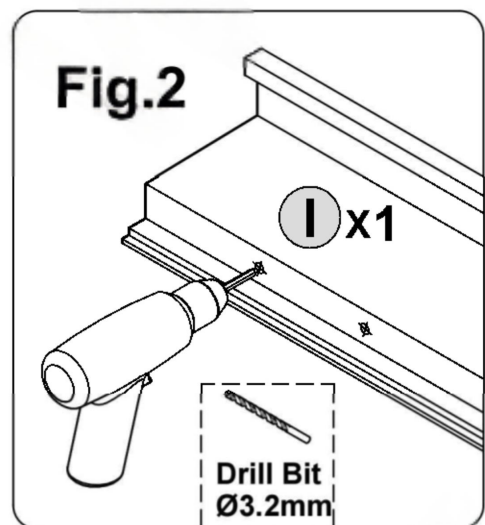
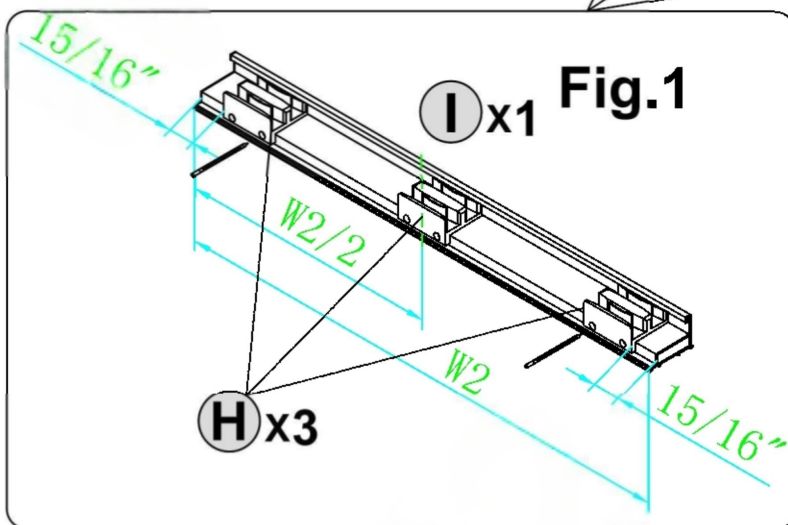
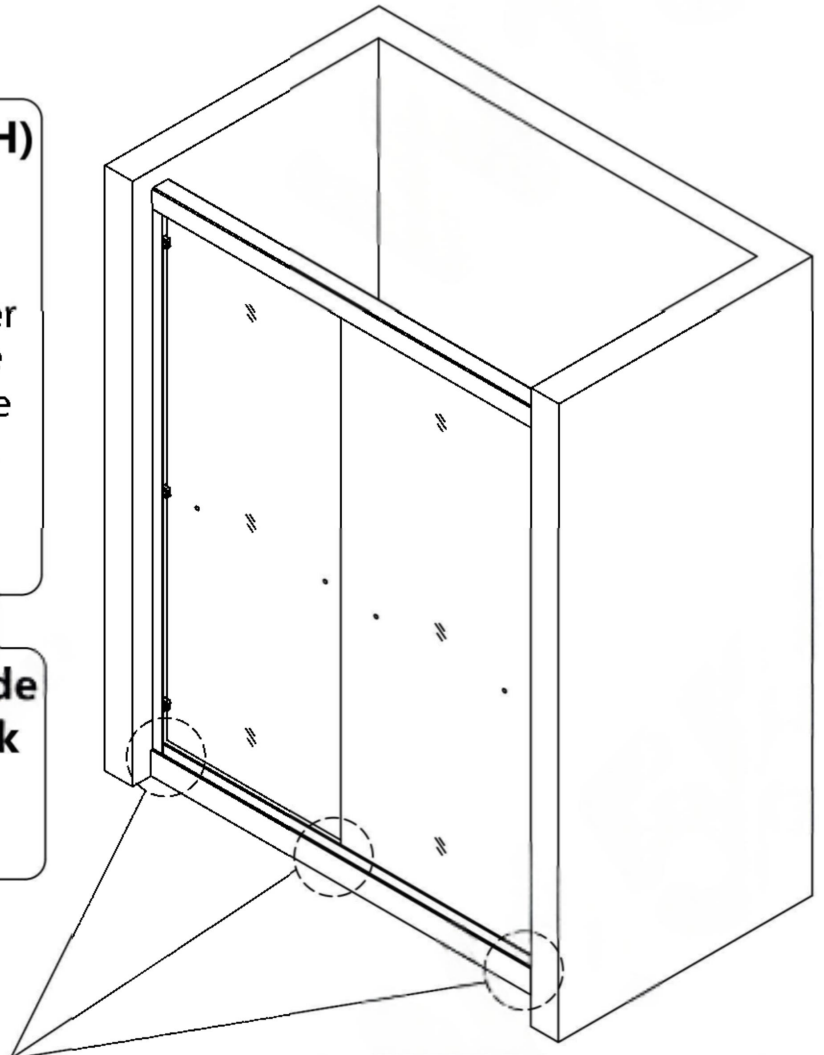


**12** Install **Bottom Guide (H)**

**NOTE**

1. Place the **Bottom Guide (H)** on the **Bottom Track (I)** position sliders at the 15/16 inch (23.5 mm) mark at both end. Position the middle slider at the midpoint ( $W2/2$ ) of the **Bottom Track (I)**. Mark the corresponding holes for each **Bottom Guide (H)** with a pencil.

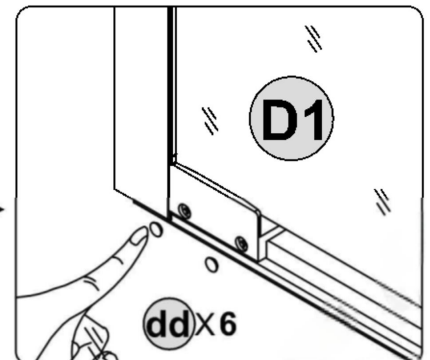
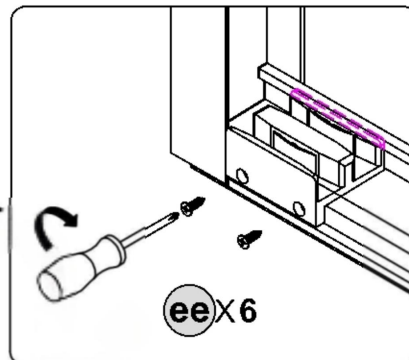
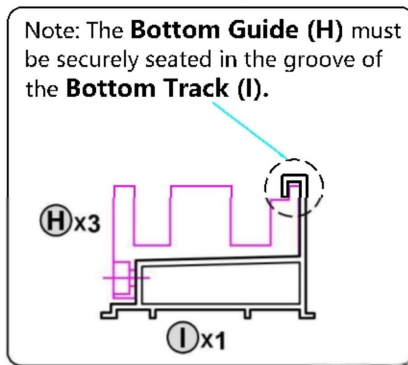
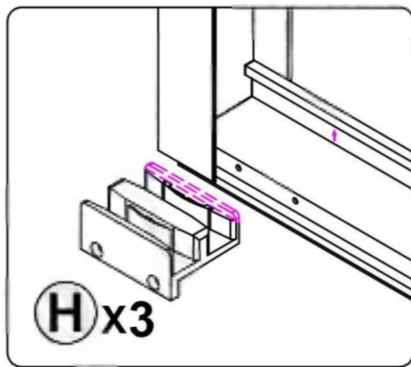
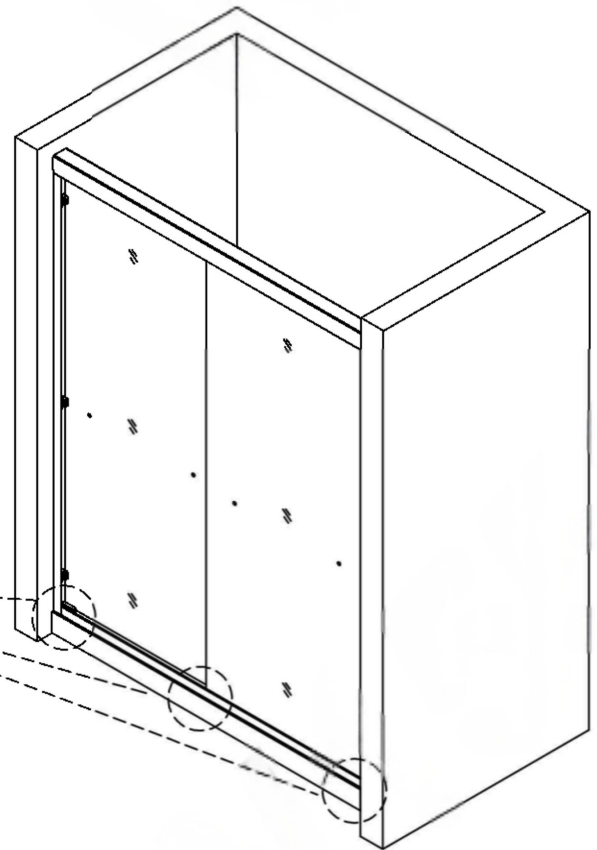
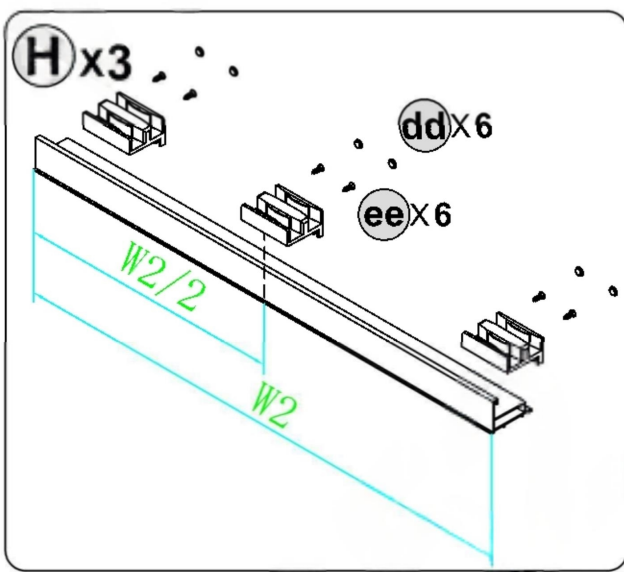
2. Remove each **Bottom Guide (H)** from the **Bottom Track (I)**, drill 3.2 mm holes at the marked positions.



# 13 Install Bottom Guide (H)

NOTE

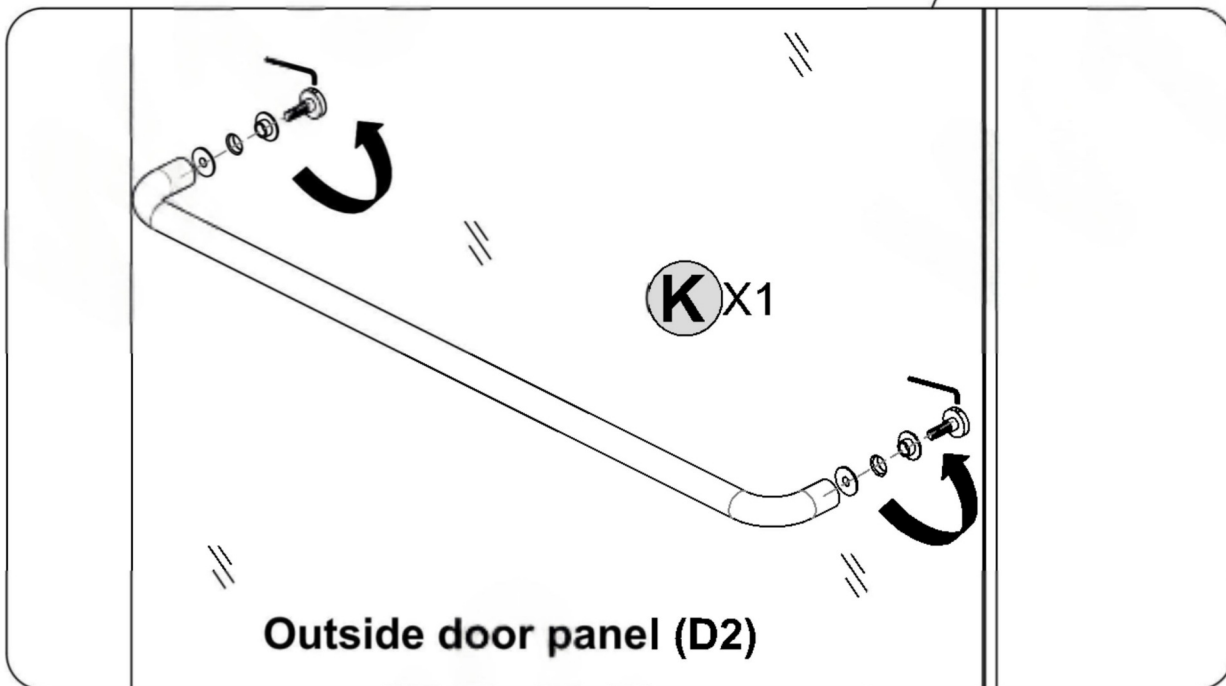
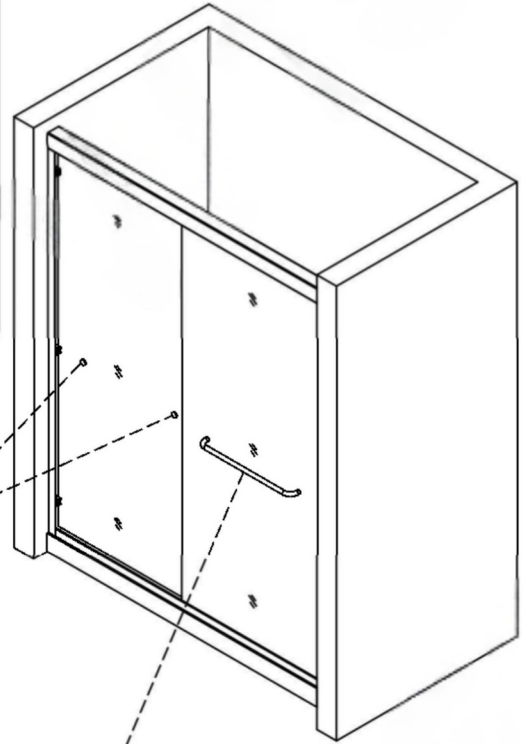
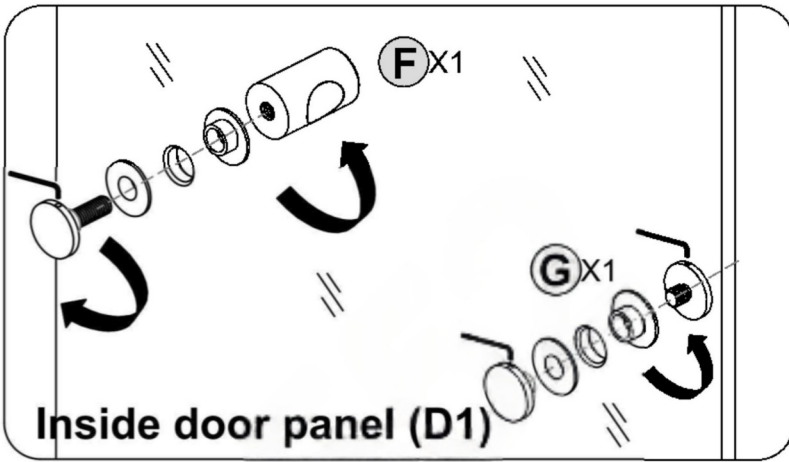
First install the **Bottom Guide (H)** on the **Bottom Track (I)** separately at **Bottom Track (I)** left, center, and right positions, with **Countersunk Self-Tapping Screw ST4X16mm (ee)** lock **Bottom Guide (H)**, cover the **Ecorative Cover (dd)**, and then the **Inside Door Panel (D1)** and **Outside Door Panel (D2)** propulsion Slider within the slot.



**14** Install **Knob A (F)**, **Knob B (G)**, and **Towel Bar (L)**

**NOTE**

First secure **Knob A (F)** and **Knob B (G)** to the **Inside Door Panel (D1)** using the provided screws. Next, attach **Towel Bar (L)** to the **Outside Door Panel (D2)**. Throughout the process, ensure that all supplied rubber gaskets are used to protect the glass from scratches or damage



## 15 SEALING

**NOTE** The surfaces need to be clean and free of debris before applying silicone.

**NOTE** Make sure that the shower door is tightly closed and opens smoothly. Use silicone sealant to seal along the entire length of the **Wall Jamb (B)** and **Bottom Track (I)** outside the shower.



Allow 24 hours for the silicone to cure before using the shower.

