

Assembly Instruction

ASSEMBLY TIPS:

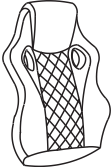
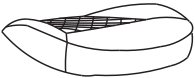


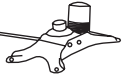
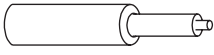

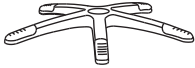

1. Remove hardware from box and sort by size.
2. Please check to see that all hardware and parts are present prior to start of assembly.
3. Please follow attached instructions in the same sequence as numbered to assure fast & easy assembly.

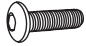







Warning!

1. Don't attempt to repair or modify parts that are broken or defective. Please contact the store immediately.
2. This product is for home use only and not intended for commercial establishment.

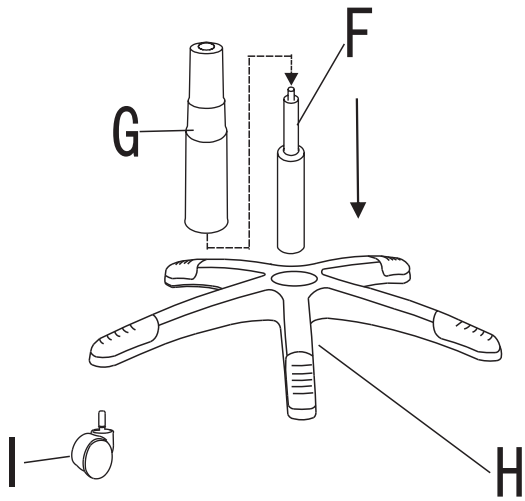
PARTS IDENTIFICATION: Z HARDWAREPACKAGE

- (A) BACK  1PC
- (B) SEAT  1PC
- (C) RIGHT ARM  1PC
- (D) LEFT ARM  1PC
- (E) ADJUSTING PLATE  1PC
- (F) GAS LIFT  1PC
- (G) COVER FOR GAS LIFT  1PC
- (H) BASE  1PC
- (I) CASTER  5PCS

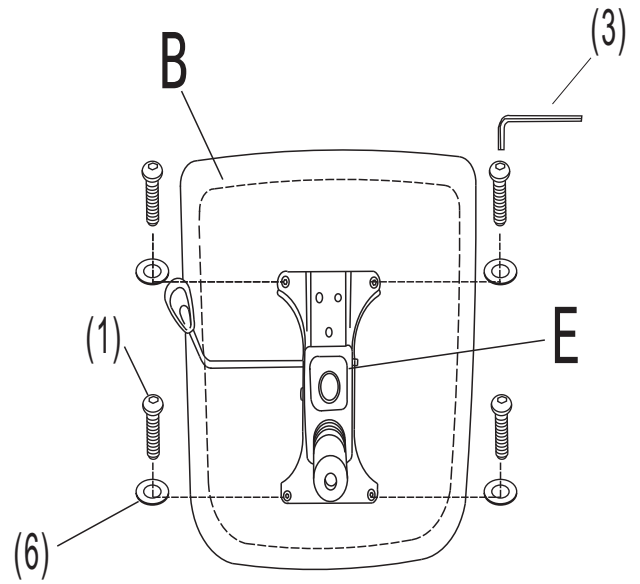
NO	DESCRIPTION	FIGURE	Q'TY
1	SHORT BOLT		4PCS
2	LONG BOLT		8PCS
3	ALLEN WRENCH		1PC
4	CAP		2PCS
5	CAP		6PCS
6	WASHER		4PCS

ASSEMBLY INSTRUCTION

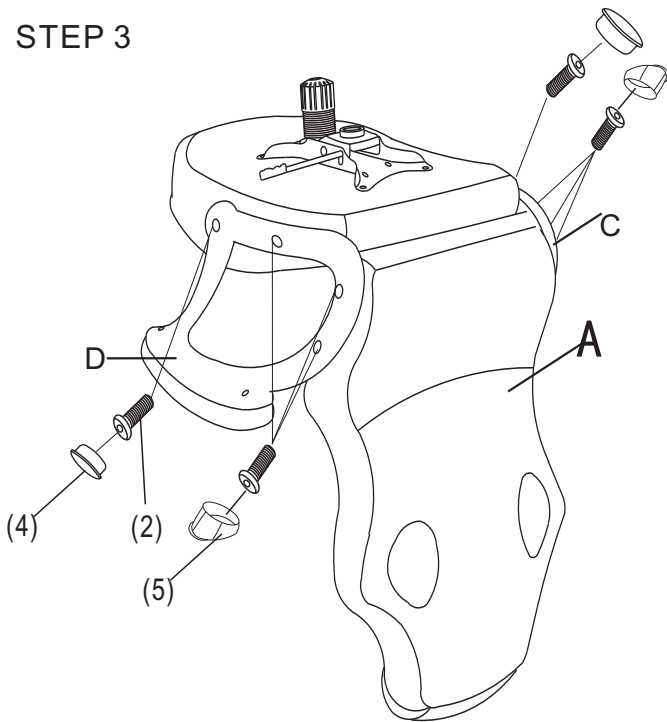
STEP 1



STEP 2



STEP 3



STEP 4

