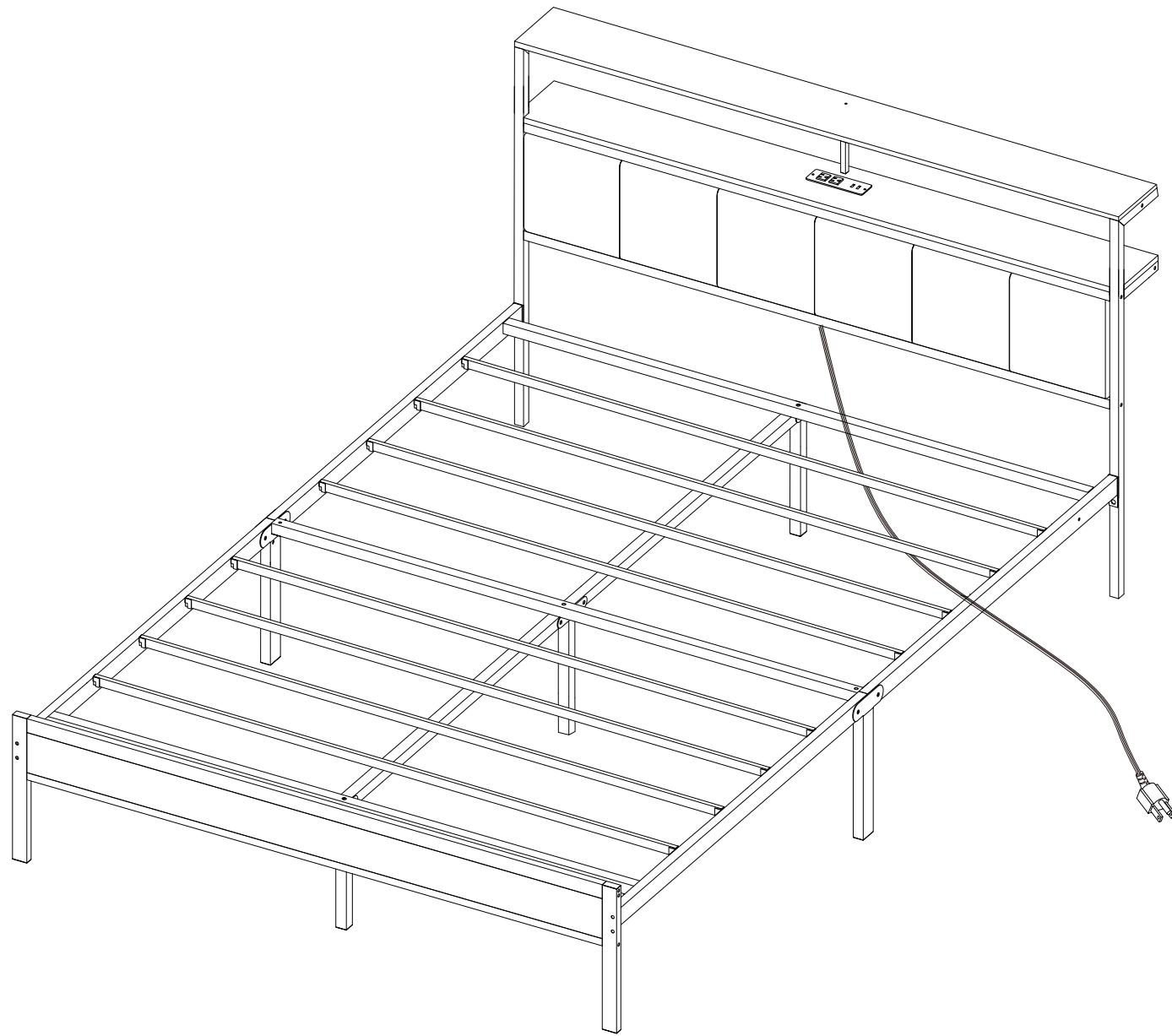


Bed Frames 041Q




Suggestion: To make the installation process easier and faster, we recommend that two people work together to install the Bed Frames.

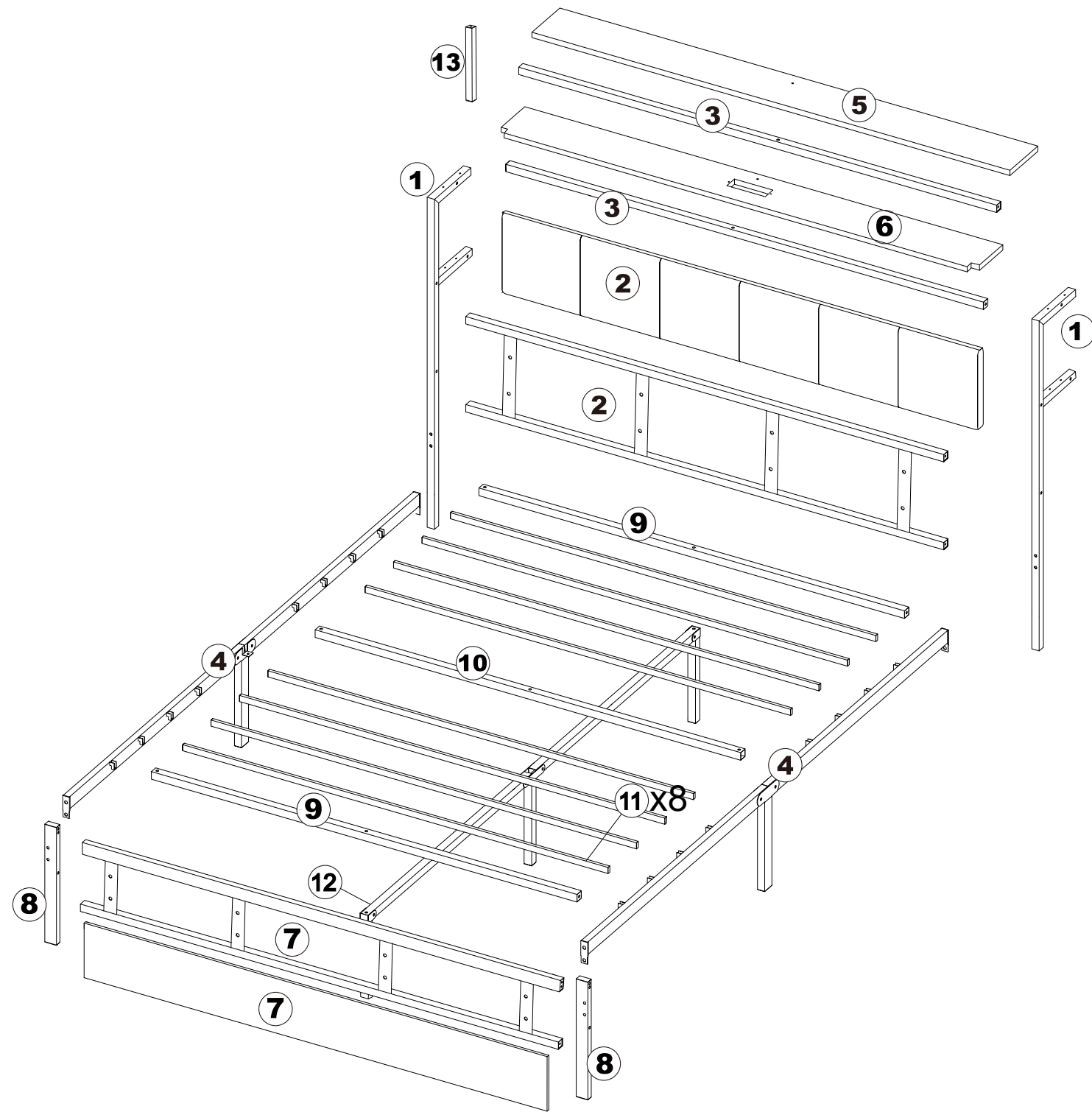
Helpful Hints

1. We recommend two people to assemble the product easier and faster.
2. Please DO NOT tighten the screws deeply during assembling avoiding that metal frame can be bent and plank will crack.
3. We recommend that all screws should not be tightened over during assembling to make it easy to adjust. When it is adjusted to proper station all screws should be tightened.
4. Caution: If using a power drill or power screwdriver for screwing, please be aware of to slow down and stop when screw is tight. Failure to do so may result in stripping the screw.

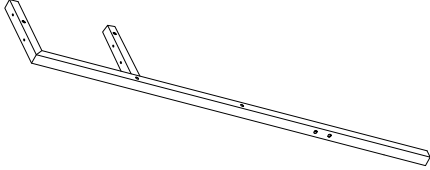
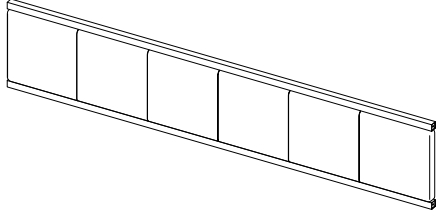
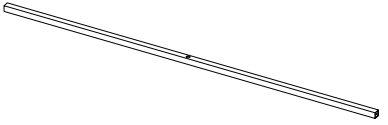
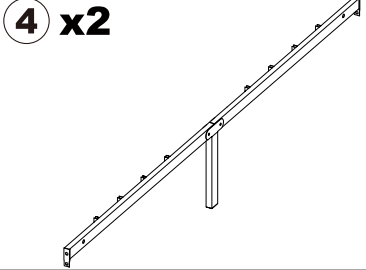
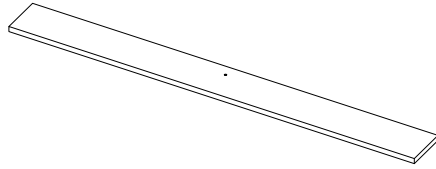
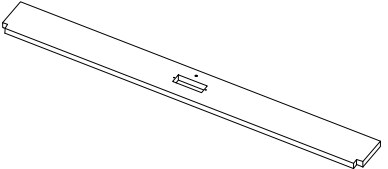
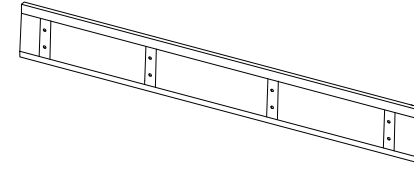

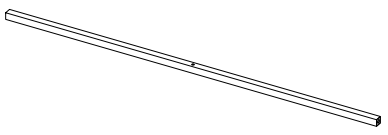
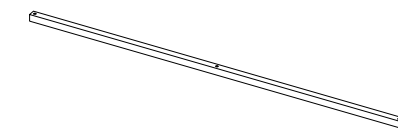
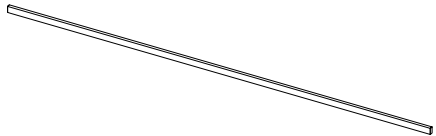
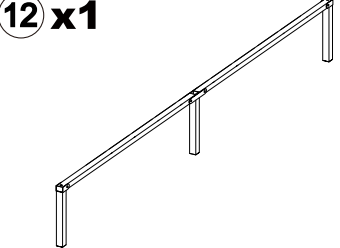

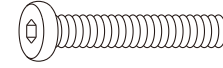
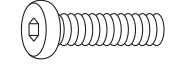
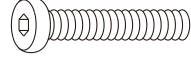
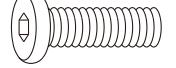
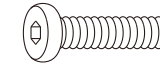
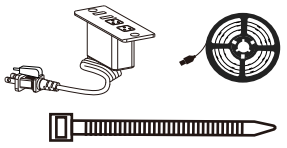
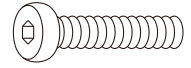
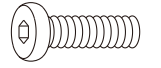




Customer Service

As this item contains many parts, please read the installation instruction carefully before installation and complete the installation with the cooperation of your partner. Please use tools properly and carefully. If you have any questions about the product and installation, please contact us freely.  [**CollaredEagle@163.com**](mailto:CollaredEagle@163.com)

EXPLODED

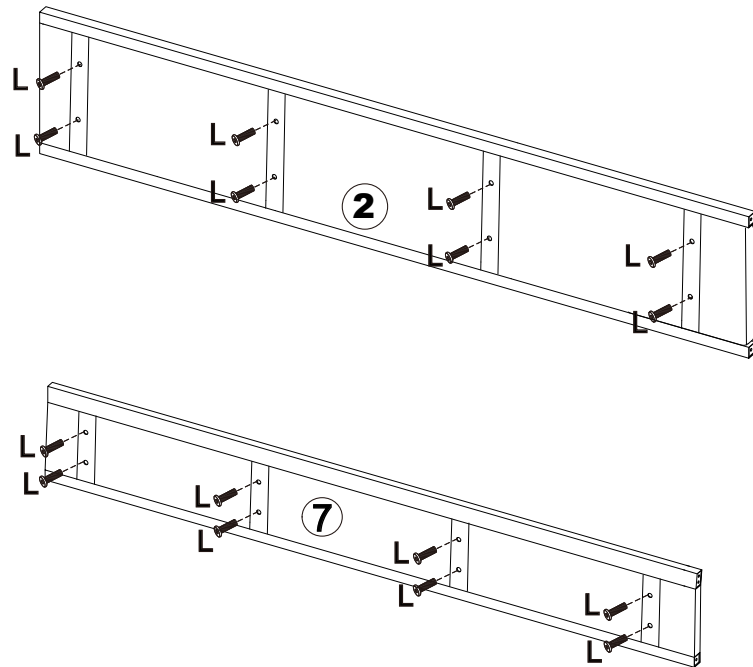


Accessories list

1 x2 	2 x1 	3 x2 	
4 x2 	5 x1 	6 x1 	
7 x1 	8 x2 	9 x2 	
10 x1 	11 x8 	12 x1 	
13 x1 			
A x6  M6x60mm	B x8  M6x35mm	C x3  M6x55mm	D x2  M8x30mm
E x4  M6x40mm	F x1 	G x8  M6x45mm	H x8  M6x33mm
I x1  x4 x2	J x12 	K x4  M6x25mm	L x16  M6x10mm

★ In many cases, we include additional hardware. So after following the assembly instructions, don't worry if there are still extra pieces left over—they're included as a "just in case" for your convenience.

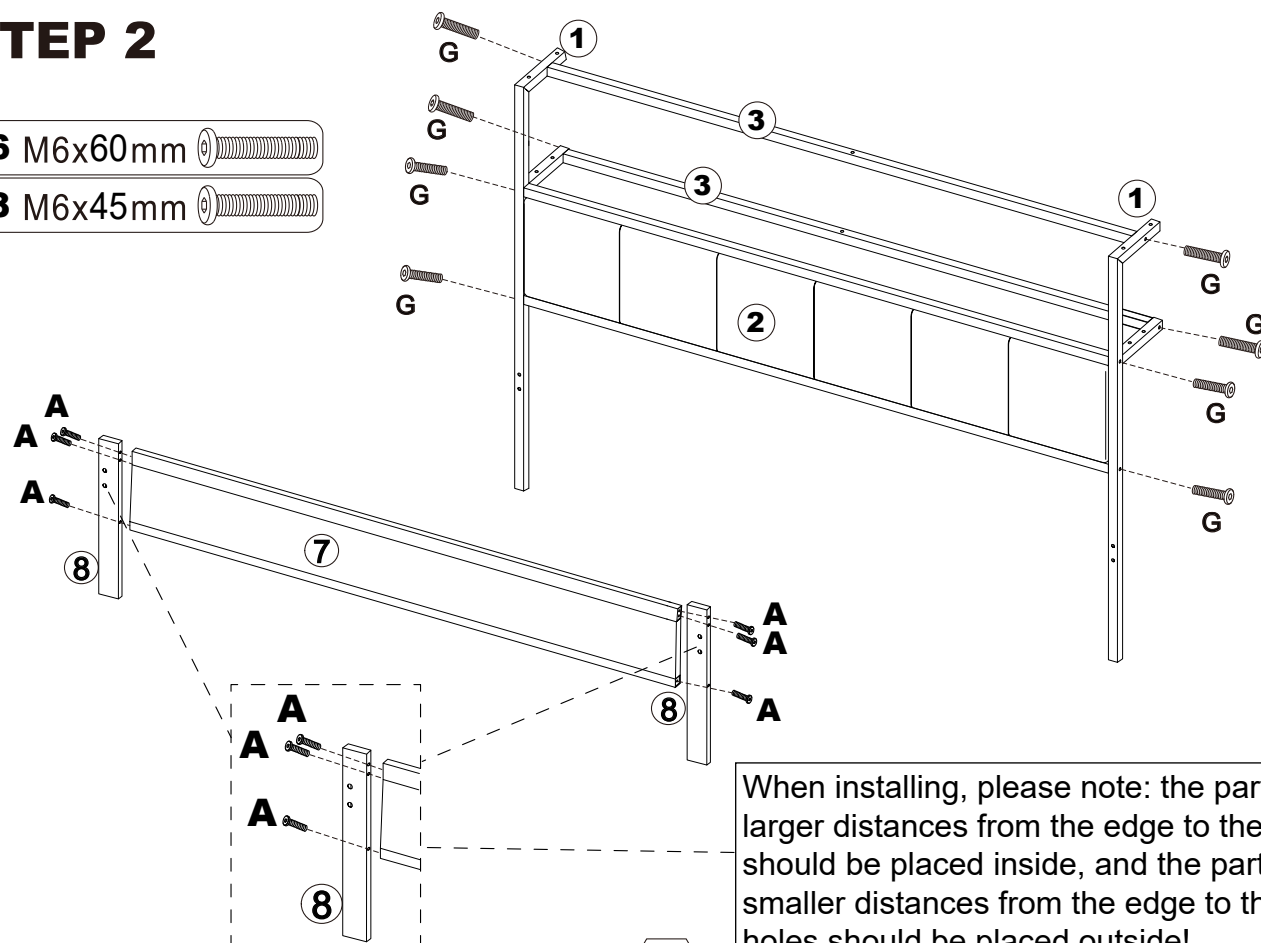
STEP 1



L x16 M6x10 mm

STEP 2

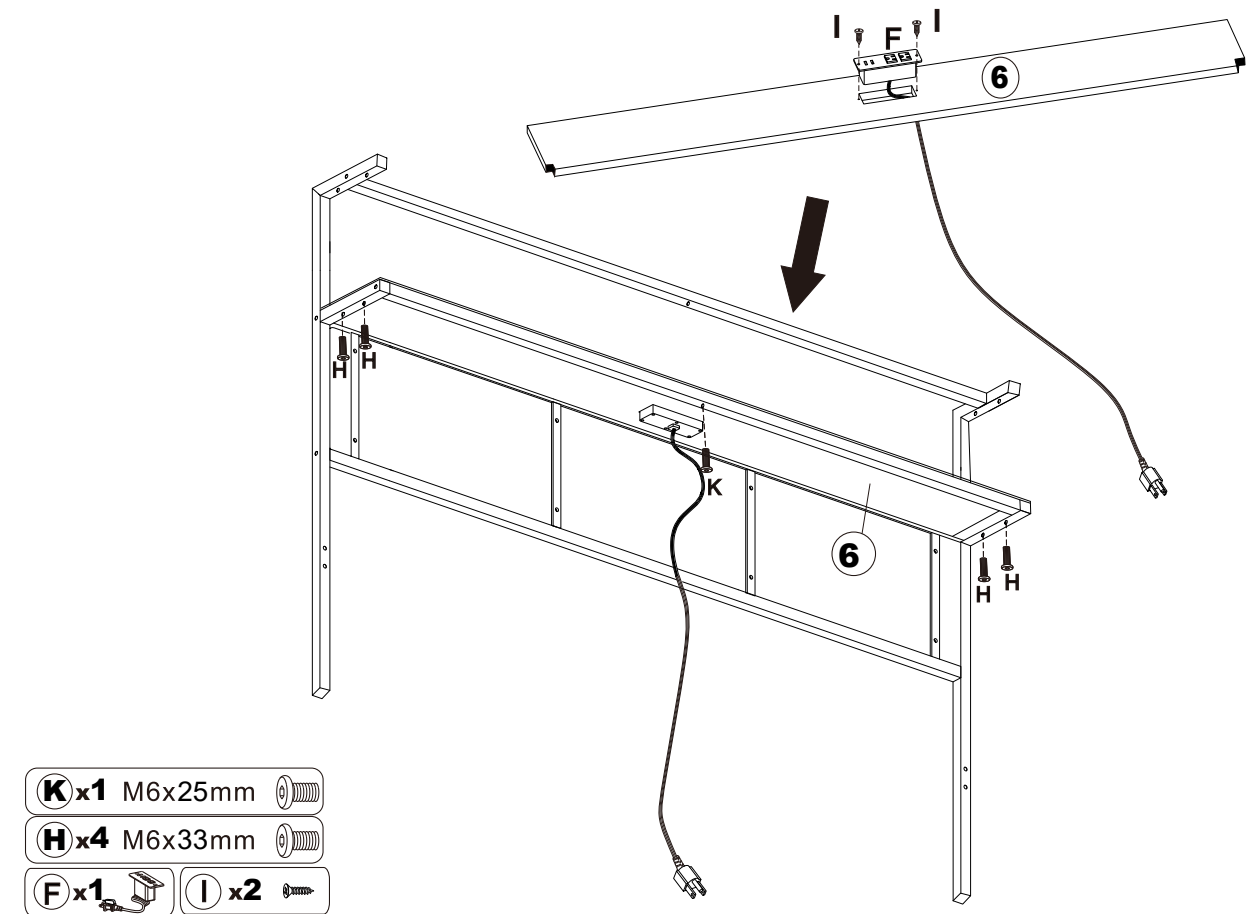
A x6 M6x60mm
G x8 M6x45mm



When installing, please note: the parts with larger distances from the edge to the holes should be placed inside, and the parts with smaller distances from the edge to the holes should be placed outside!

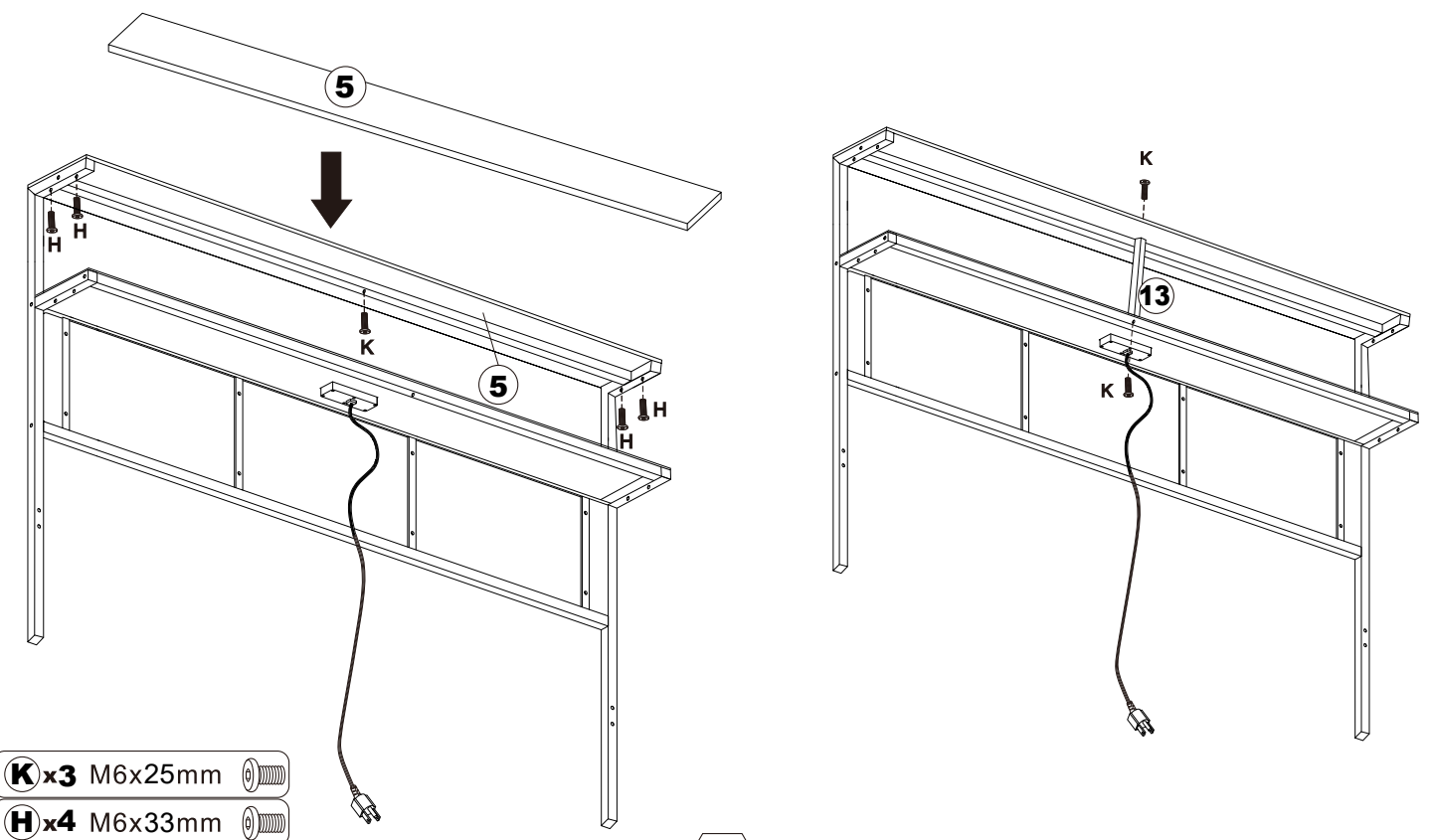
1

STEP 3



K x1 M6x25mm
H x4 M6x33mm
F x1
I x2

STEP 4

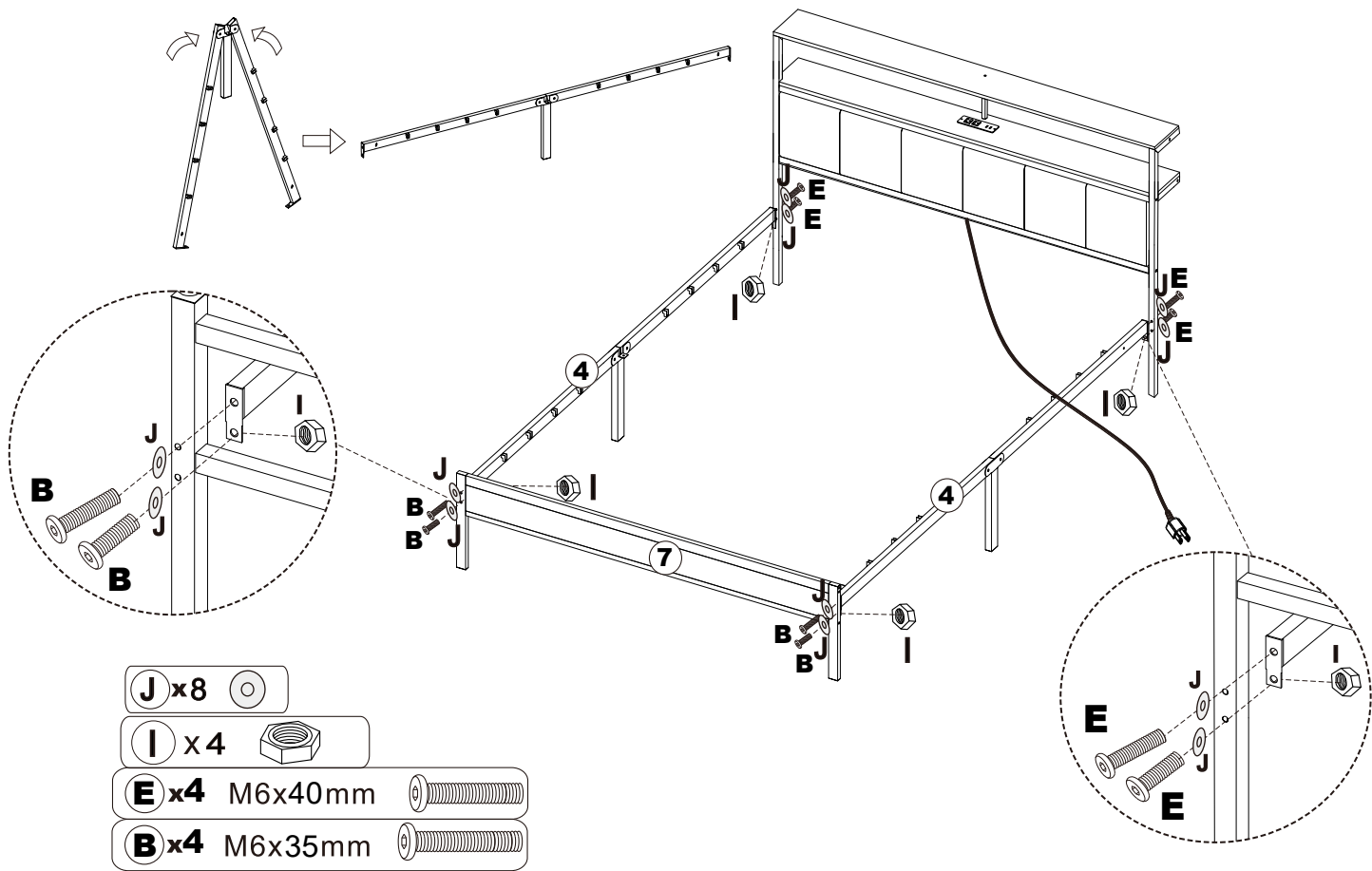


K x3 M6x25mm
H x4 M6x33mm

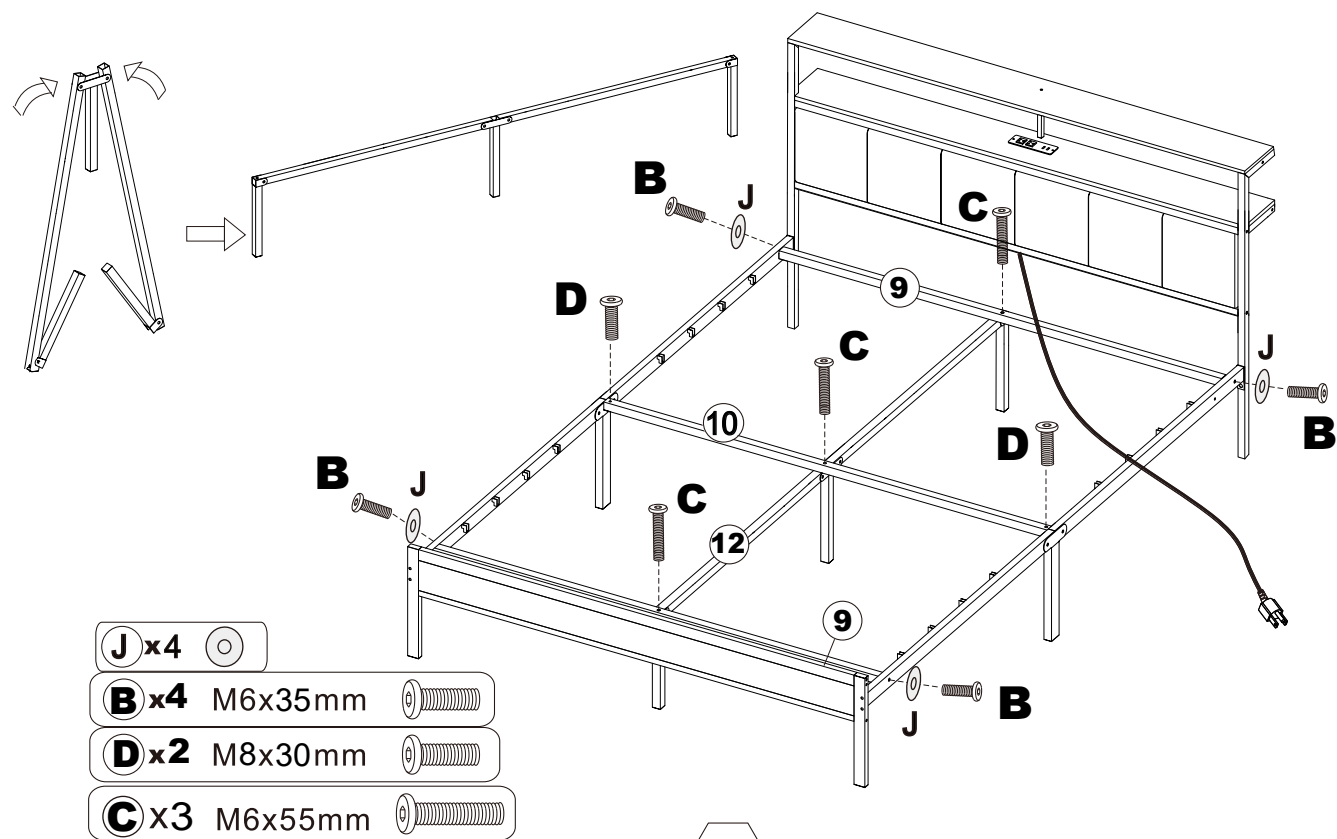
2

INSTALLATION INSTRUCTIONS

STEP 5



STEP 6

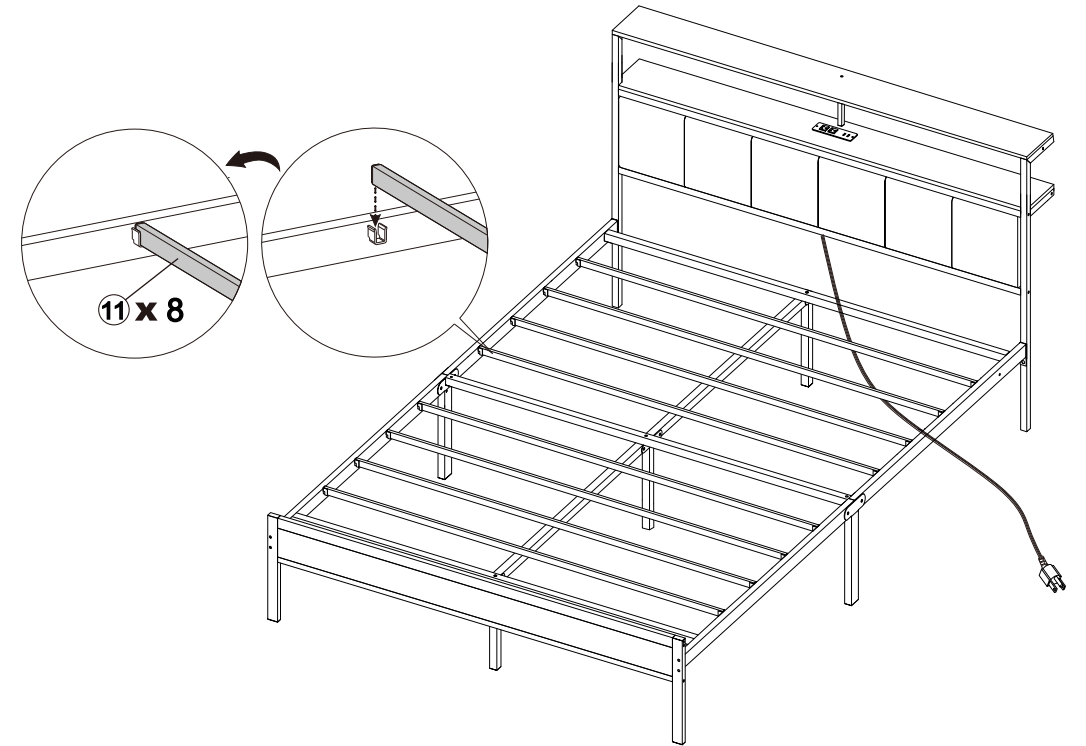


3

INSTALLATION INSTRUCTIONS

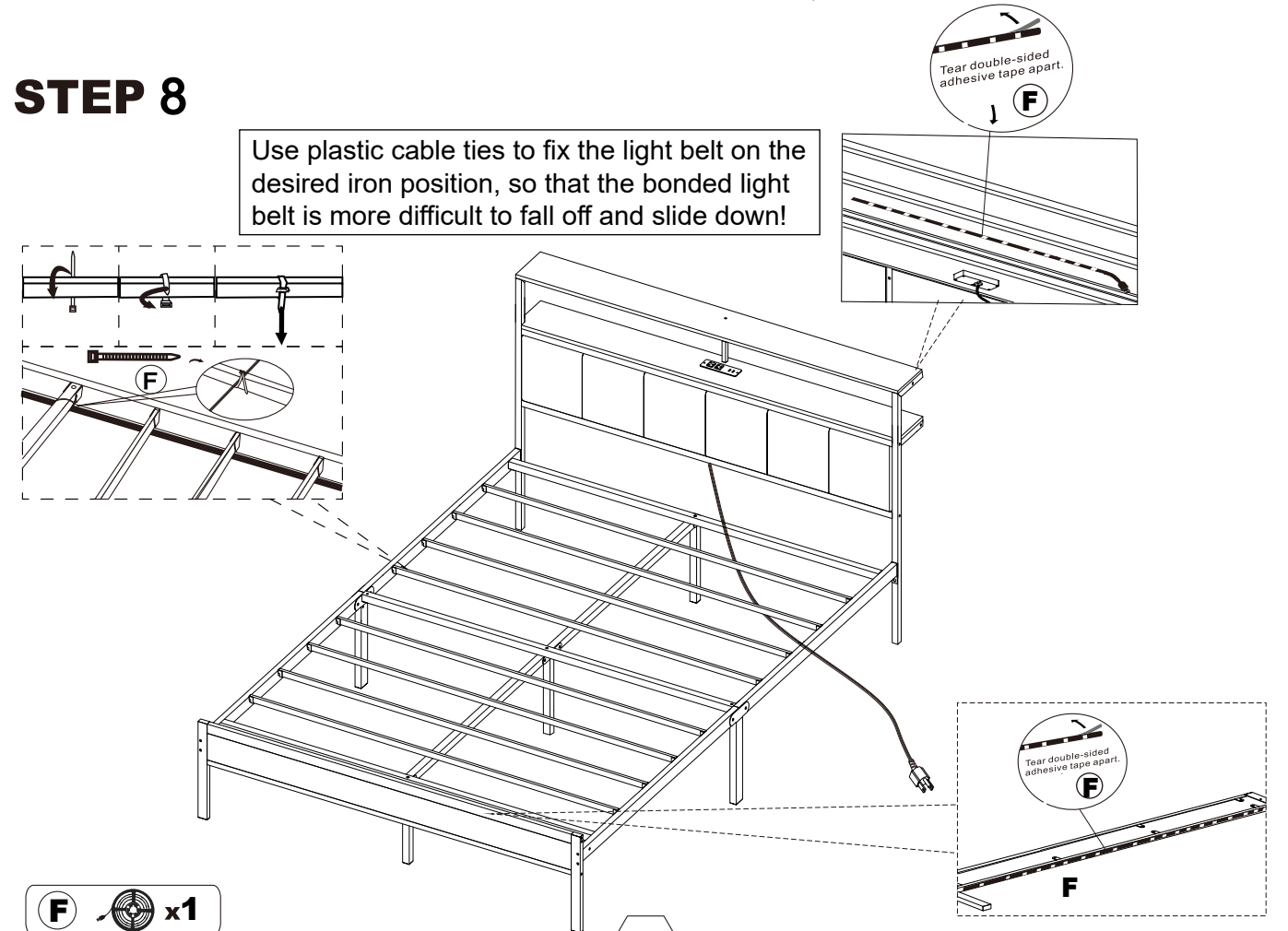
STEP 7

After all the installation steps are completed, fine-tune every detail to the best reasonable comfort level. Please tighten all the screws before use! After using it for a period of time, check if the screws at all connection points are loose and tighten them to reinforce. This will ensure the product is in its best condition!



STEP 8

Use plastic cable ties to fix the light belt on the desired iron position, so that the bonded light belt is more difficult to fall off and slide down!



4