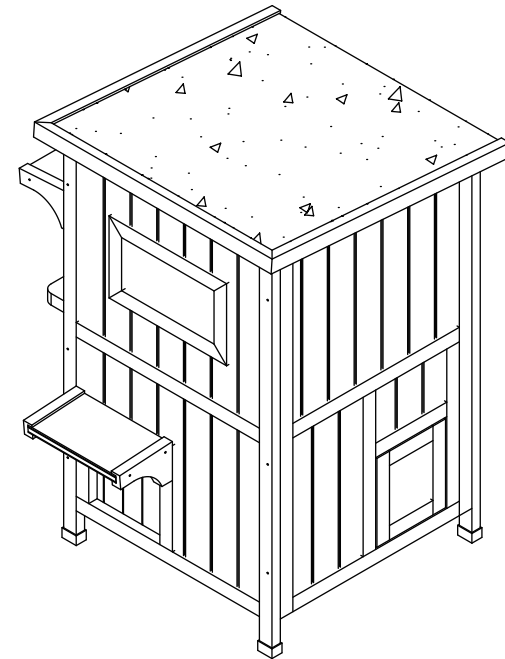


ASSEMBLY INSTRUCTIONS

PLEASE RETAIN THIS INSTRUCTIONS FOR FUTURE REFERENCE



TIME: 30-40 minutes



NUMBER OF PEOPLE: 2

Greeting!
So here I am

your new pet house

- ▶ Thanks for letting me be a home for your furry friend(s).
- ▶ They'll be cozy and protected from the weather when they're with me.
- ▶ Just remember to take care of me too, so I can last a long time.
- ▶ When you open the box, you might smell a funny smell. Don't worry, it's not dangerous,
- ▶ Just let me air out for a few days and the smell will go away.
- ▶ Be careful when you're putting me together because some of my parts can be sharp or heavy.
- ▶ Make sure all the screws are tight during installation and double-check that they're all secure before using me.
- ▶ If you notice anything broken or missing, stop using me until it's fixed. and please follow the instructions from my maker so your warranty stays good.
- ▶ You can use me indoors or outdoors, but if you place me outside, please remember to protect me from prolonged exposure to rain. If it's raining heavily, be sure to cover me to ensure my longevity.
- ▶ Remember to place and use me on a flat surface to make sure it's put together correctly and works well.
- ▶ Keep me away from fire and dangerous chemicals.
- ▶ Clean me with a damp, soapy sponge without corrosive agents.
- ▶ Dry me with a soft, clean, dry cloth.
- ▶ Do not cleaning me with high pressure.
- ▶ Do not put bleach, acids, solvents, or abrasive cleaners on me.
- ▶ Check that all my bolts, screws, and knobs are tight every 90 days.



HELP CENTER

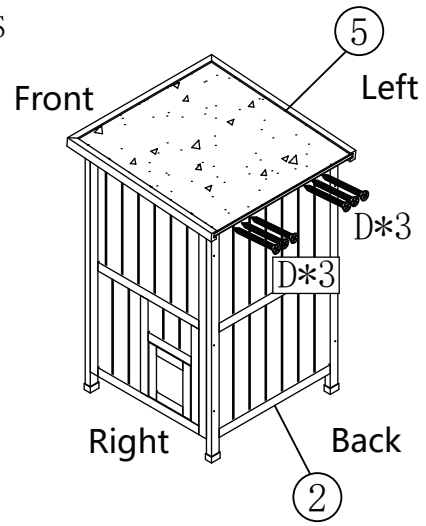
- ▶ Your full satisfaction is our **FIRST** priority.
- ▶ We hope you enjoy it and have a good shopping experience.
- ▶ We are committed to resolve any issue when the item does not meet your expectations.
- ▶ Please feel free to contact us through order detail page, we will get back to you and solve them within 24 hours.



WARNING:

Manufacturer and seller expressly disclaim any liability for personal injury, property damage, or loss, whether direct, indirect, or incidental, resulting from incorrect attachment, improper use, inadequate maintenance, or neglect of this.

D M3.0*16 6PCS

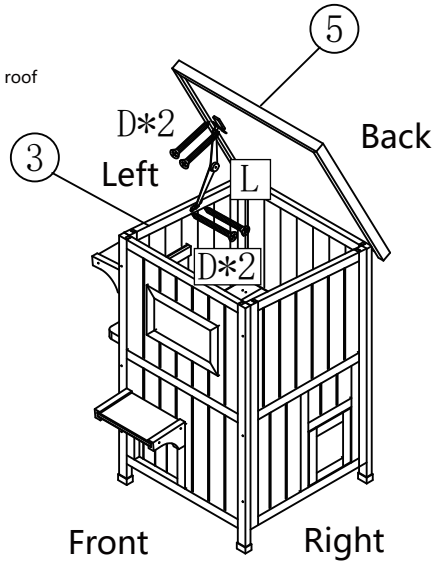
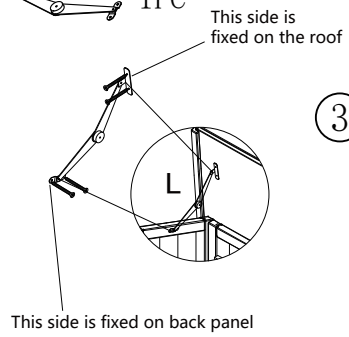


Fix (5) Roof on (2) Back panel with screws.

STEP 11

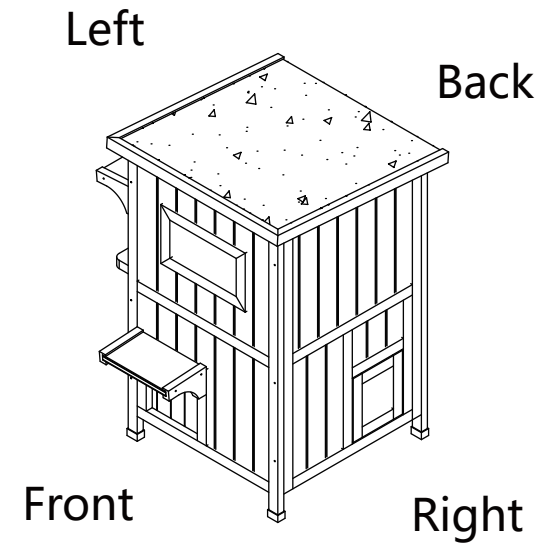
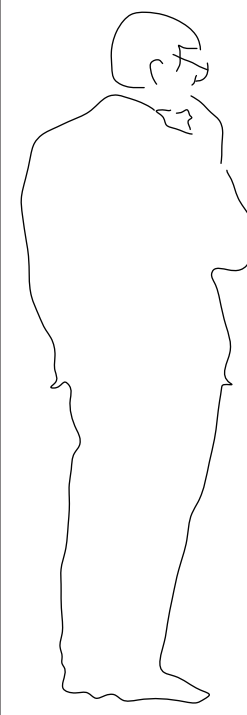
D M3.0*16 4PCS

L 1PC


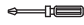


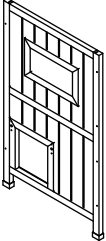
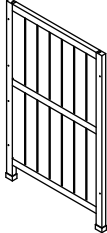
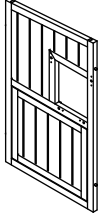
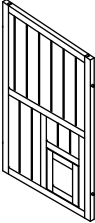
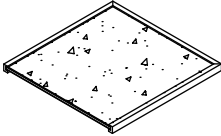
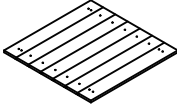
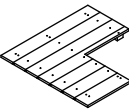
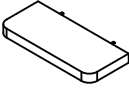
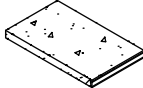
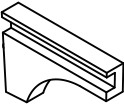
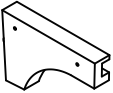
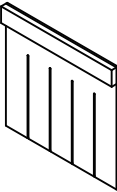
Fix (L) Metal support on (3) Left panel and (5) Roof with screws.

STEP 12



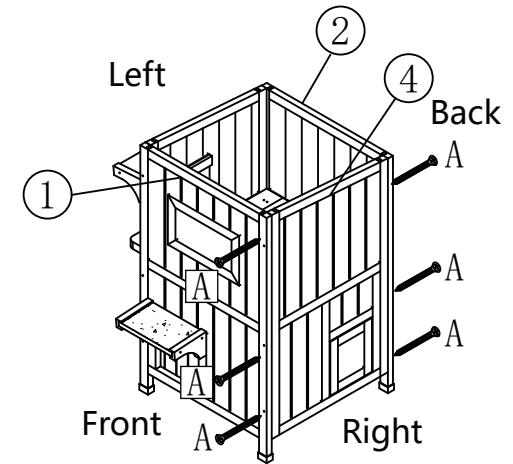
ASSEMBLY INSTRUCTION

Tool Required:  Electric Drill  Phillips Screwdriver

		
① Front panel	② Back panel	③ Left panel
		
④ Right panel	⑤ Roof	⑥ Bottom panel
		
⑦ Layer panel	⑧ Platform	⑨ x2 Small roof
		
⑩ x2 Right support of small roof	⑪ x2 Left support of small roof	⑫ x2 Door curtain

3-10

A M3.5*45 6PCS



Fix ④ Right panel on ① Front panel and ② Back panel with screws.

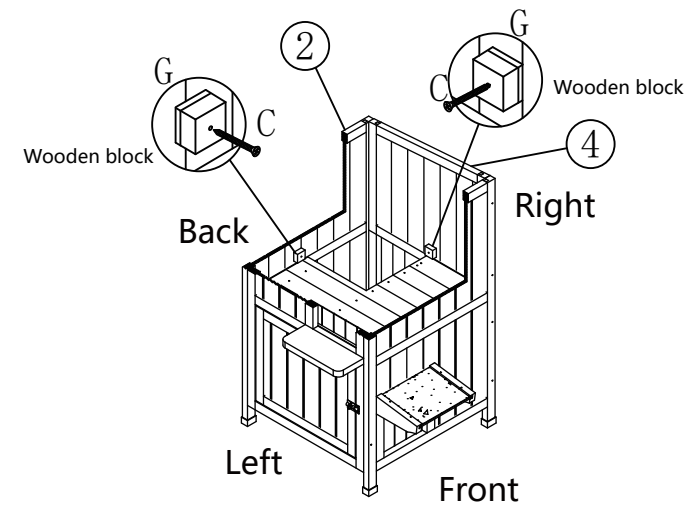
STEP 9

C M3.0*23 2PCS

G



2PCS

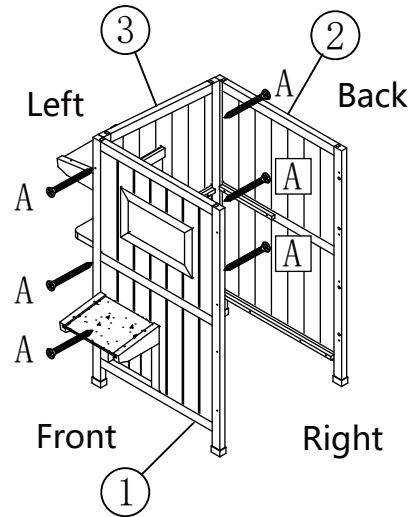


Fix (G)*2 Wooden block on ② Back panel and ④ Right panel with screws.

STEP 10

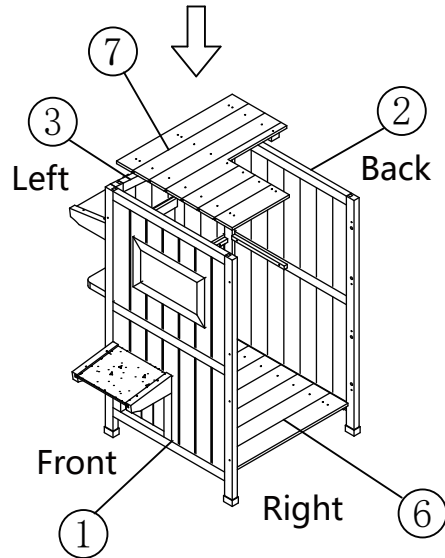
8-10

A M3.5*45 6PCS



Fix ① Front panel, ② Back panel, ③ Left panel with screws.

STEP 7



Put ⑦ Layer panel and ⑥ Bottom panel on the wooden bar of ① Front panel, ② Back panel, ③ Left panel.

STEP 8

ASSEMBLY INSTRUCTION

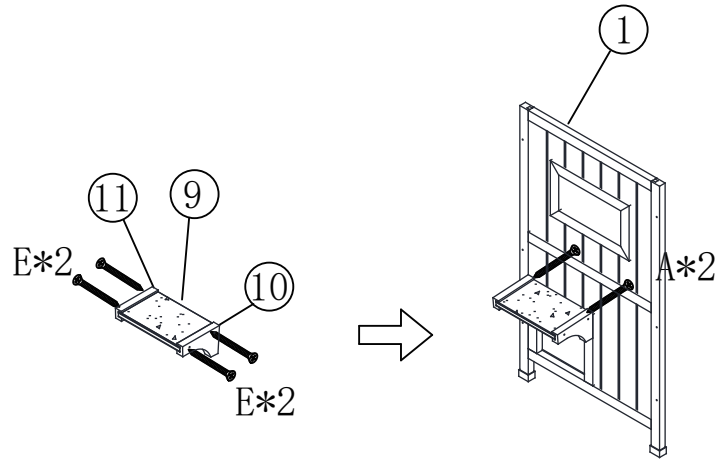
Tool Required: Electric Drill Phillips Screwdriver

Parts Description

	A M3.5*45	16PCS+1
	B	1PC
	C M3.0*23	2PCS+1
	D M3.0*16	14PCS+1
	E M3.0*25	14PCS+1
	F M3.5*50	3PCS+1
	G	2PCS
	L	1PC

E M3.0*25 4PCS

A M3.5*45 2PCS

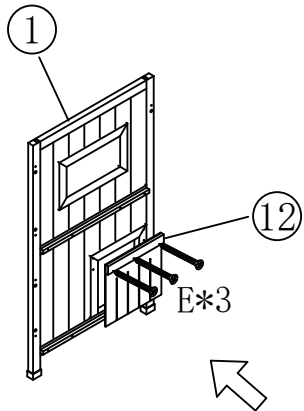


Fix ⑨ Small roof, ⑩ Right support of small roof, ⑪ Left support of small roof with screws, then fix them on ① Front panel with screws.

STEP 1

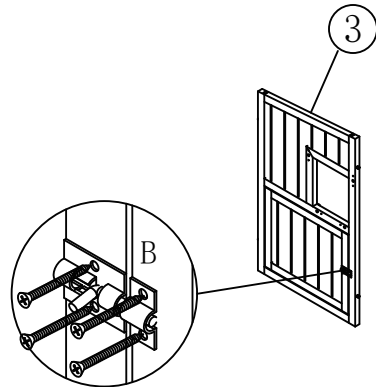
E M3.0*25 3PCS

D M3.0*16 4PCS
B 1PC



Fix ⑫ Door curtain on ① Front panel with screws.

STEP 2

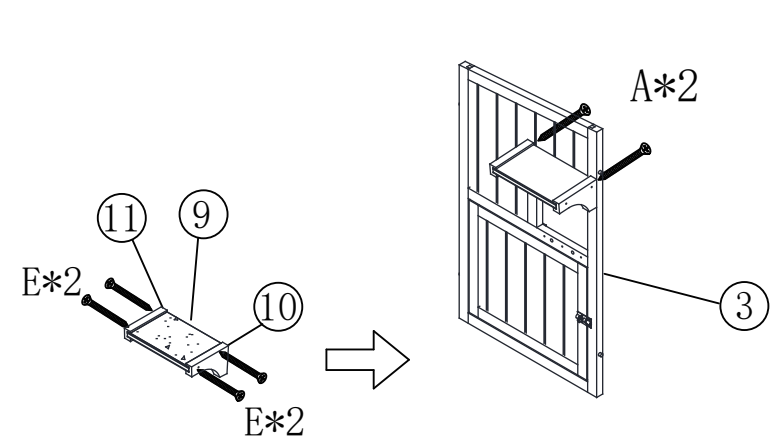


Fix (B) Bolt on ③ Left panel with screws.

STEP 3

A M3.5*45 2PCS

E M3.0*25 4PCS

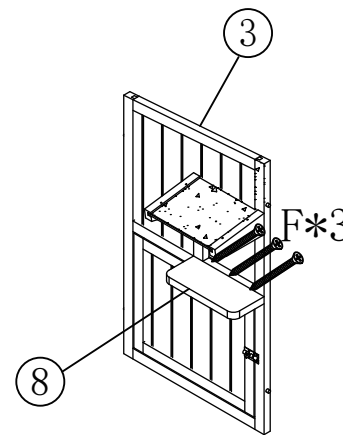


Fix ⑨ Small roof, ⑩ Right support of small roof, ⑪ Left support of small roof with screws, then fix them on ③ Left panel with screws.

STEP 4

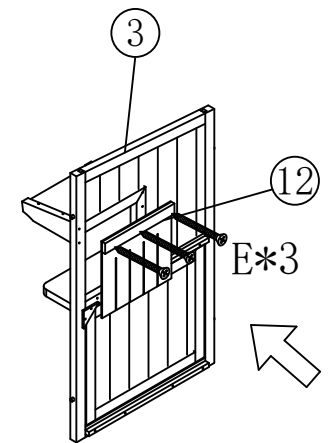
F M3.5*50 3PCS

E M3.0*25 3PCS



Fix ⑧ Platform on ③ Left panel with screws.

STEP 5



Fix ⑫ Door curtain on ③ Left panel with screws.

STEP 6