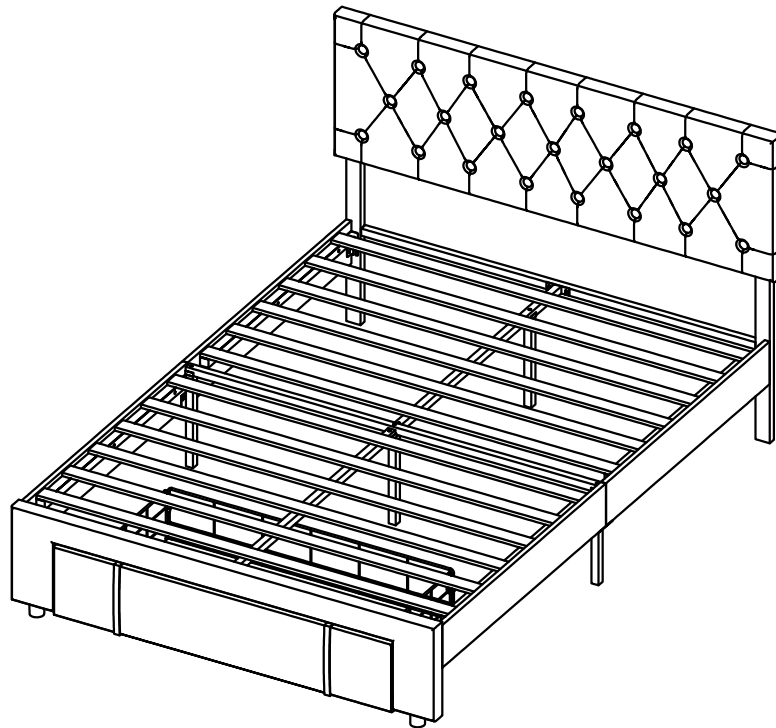


Installation Manual



Trouble shooting:

Missing / Wrong / Broken parts and installation issues



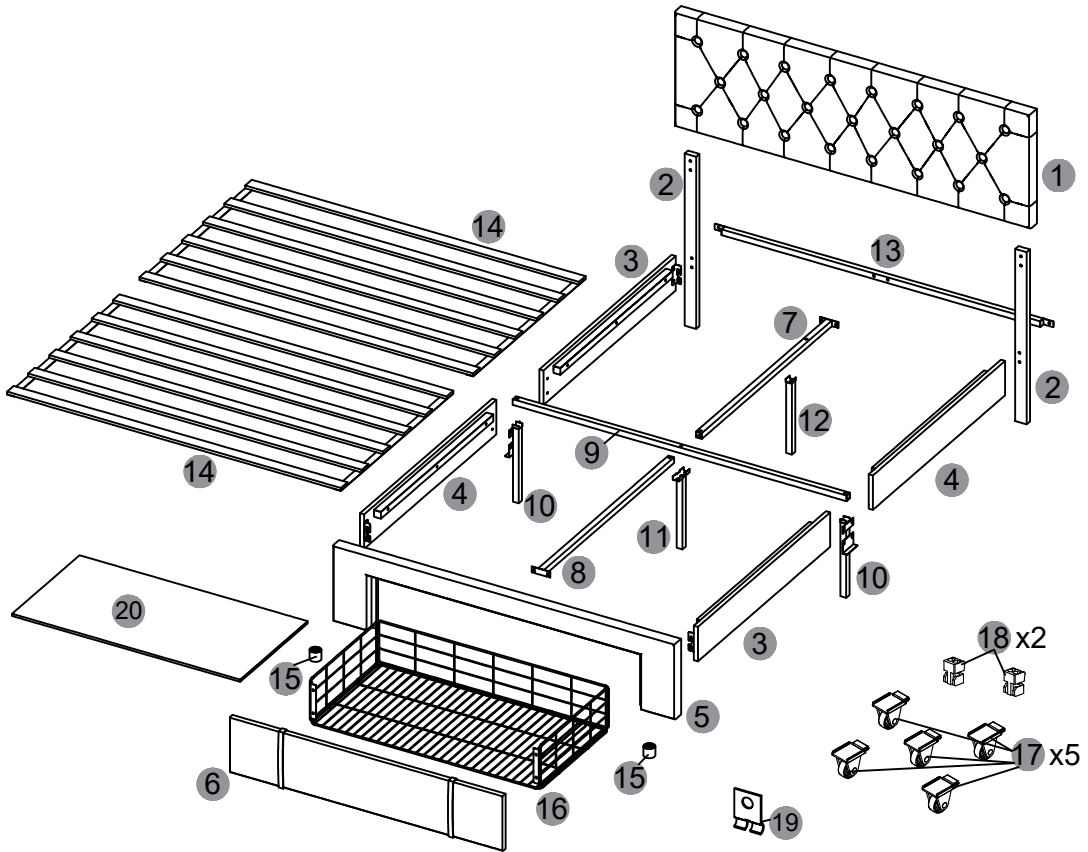
Send email with your question, pic and order NO



Respond with in 24 hours



Issue resolved



Note: Don't tighten all screws during installation.

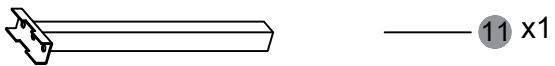
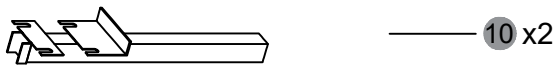
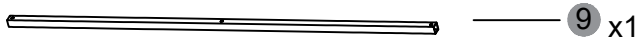
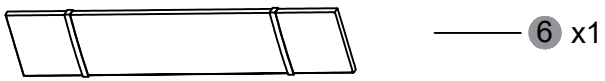
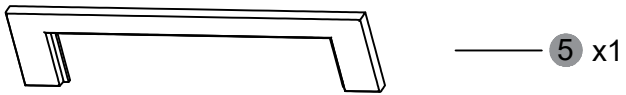
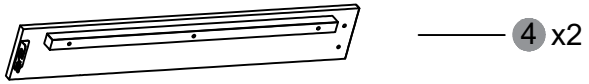
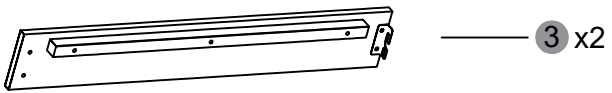
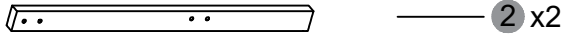
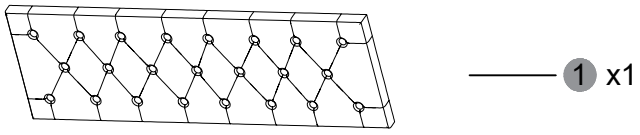
Scrows & Tools ▼

A		M6x12mm	x5
B		M6x35mm	x2
C		M8x15mm	x2
D		M8x20mm	x12
E		M8x35mm	x5
F		M8x40mm	x4

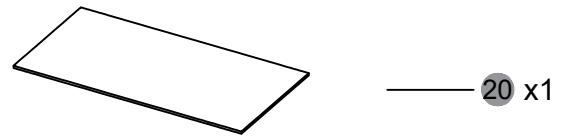
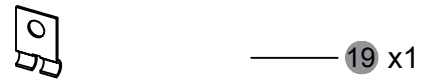
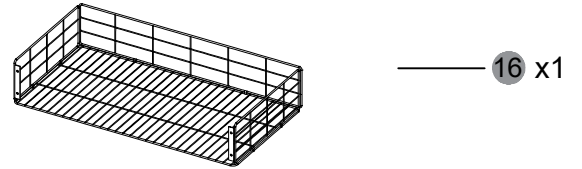
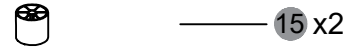
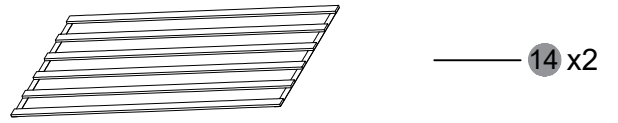
G		M8x45mm	x1
H		D4	x1
I		D5	x1

Check all the components & screws before assembly
Do not install in case part is missing. contact us to get.


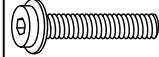

Components ▼

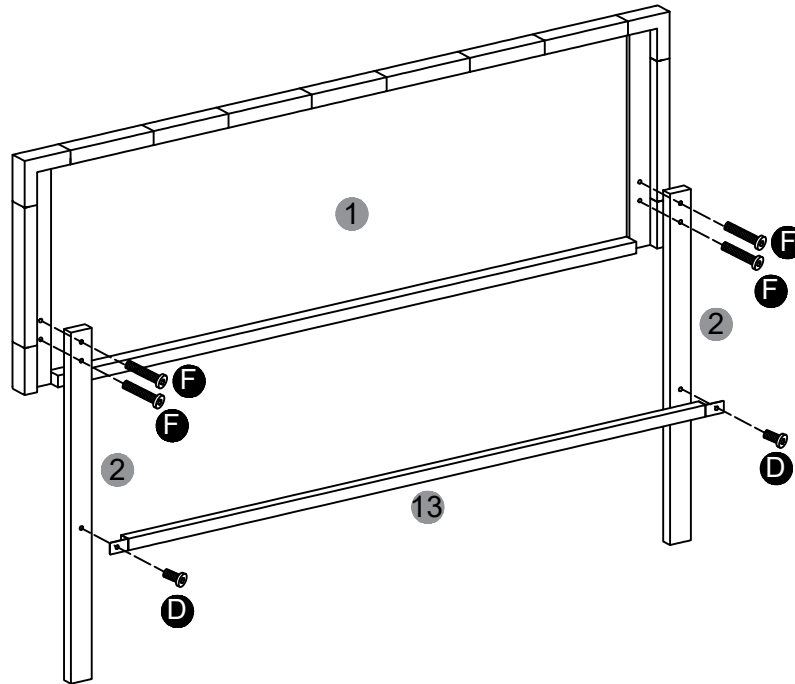


Components ▼

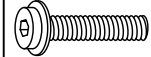



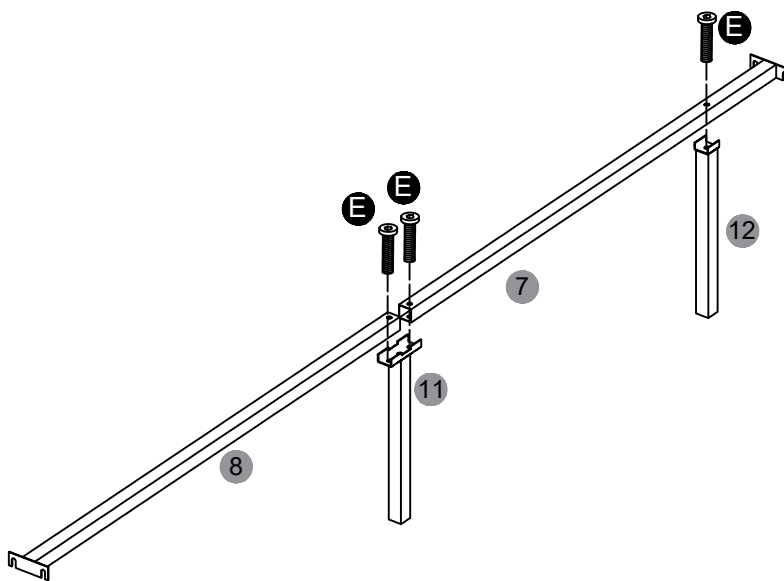
Step 1

D		M8*20	2PCS
F		M8*40	4PCS
I		D5	1PC






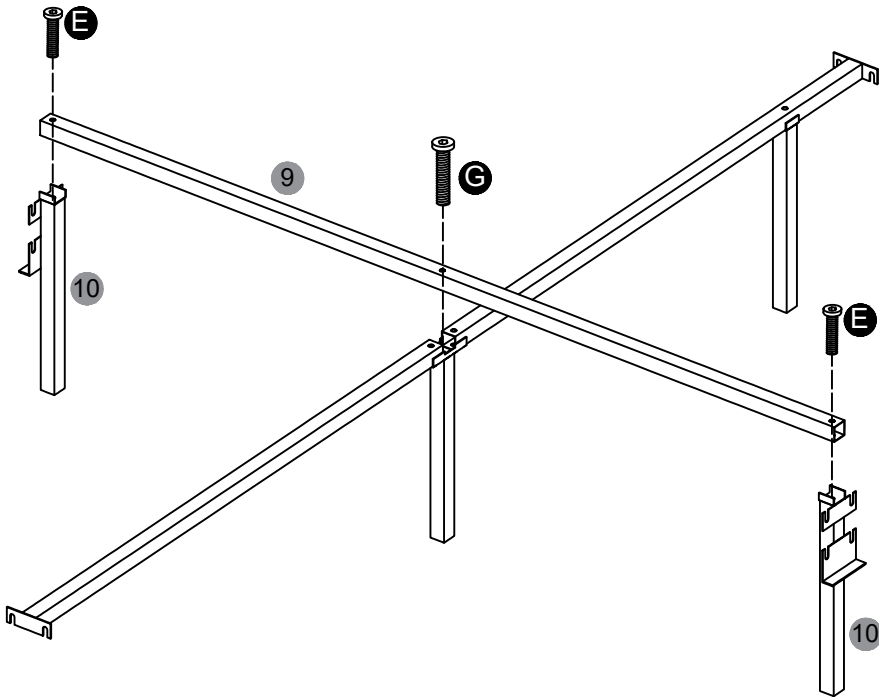
Step 2

E		M8*35	3PCS
I		D5	1PC

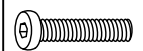



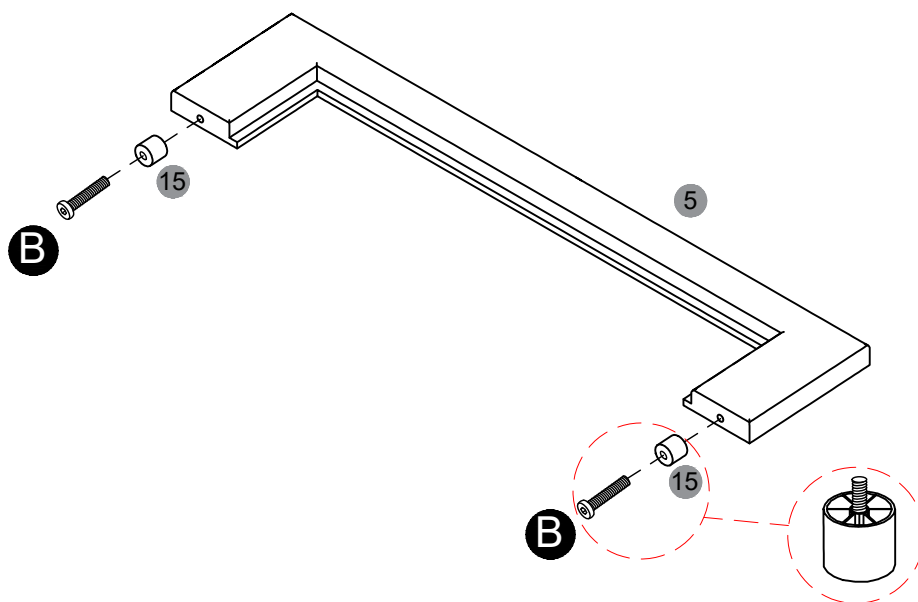
Step 3

E		M8*35	2PCS
G		M8*45	1PC
I		D5	1PC






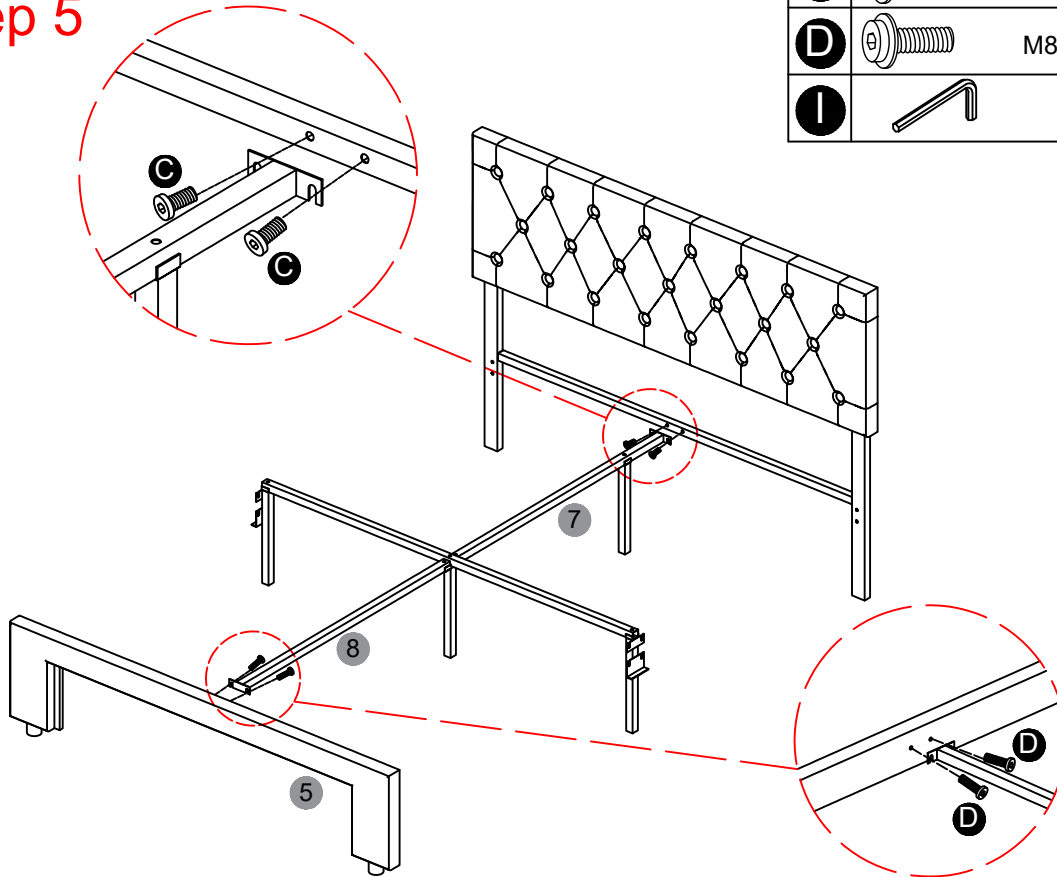
Step 4

B		M6*35	2PCS
H		D4	1PC





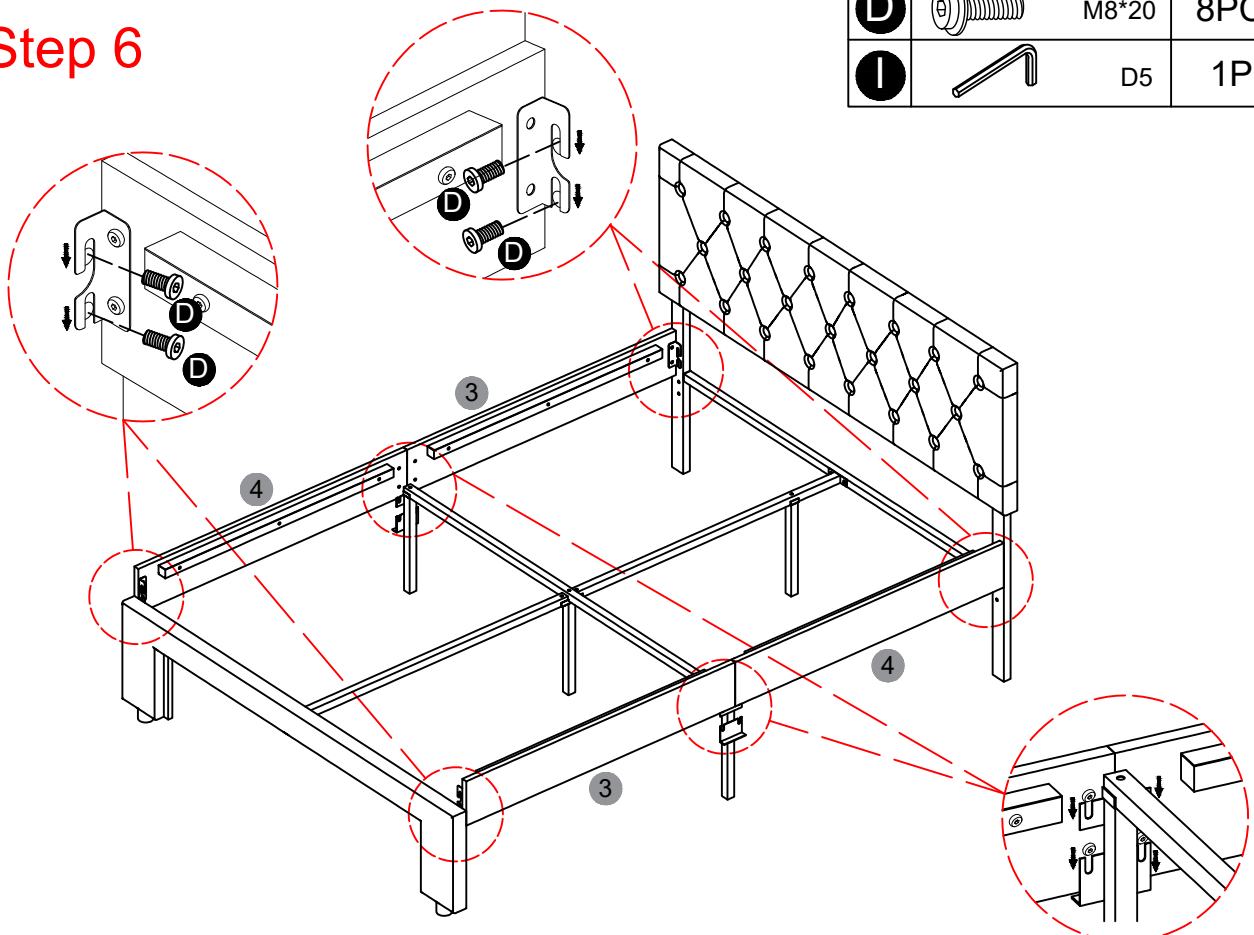
Step 5

C		M8*15	2PCS
D		M8*20	2PCS
I		D5	1PC

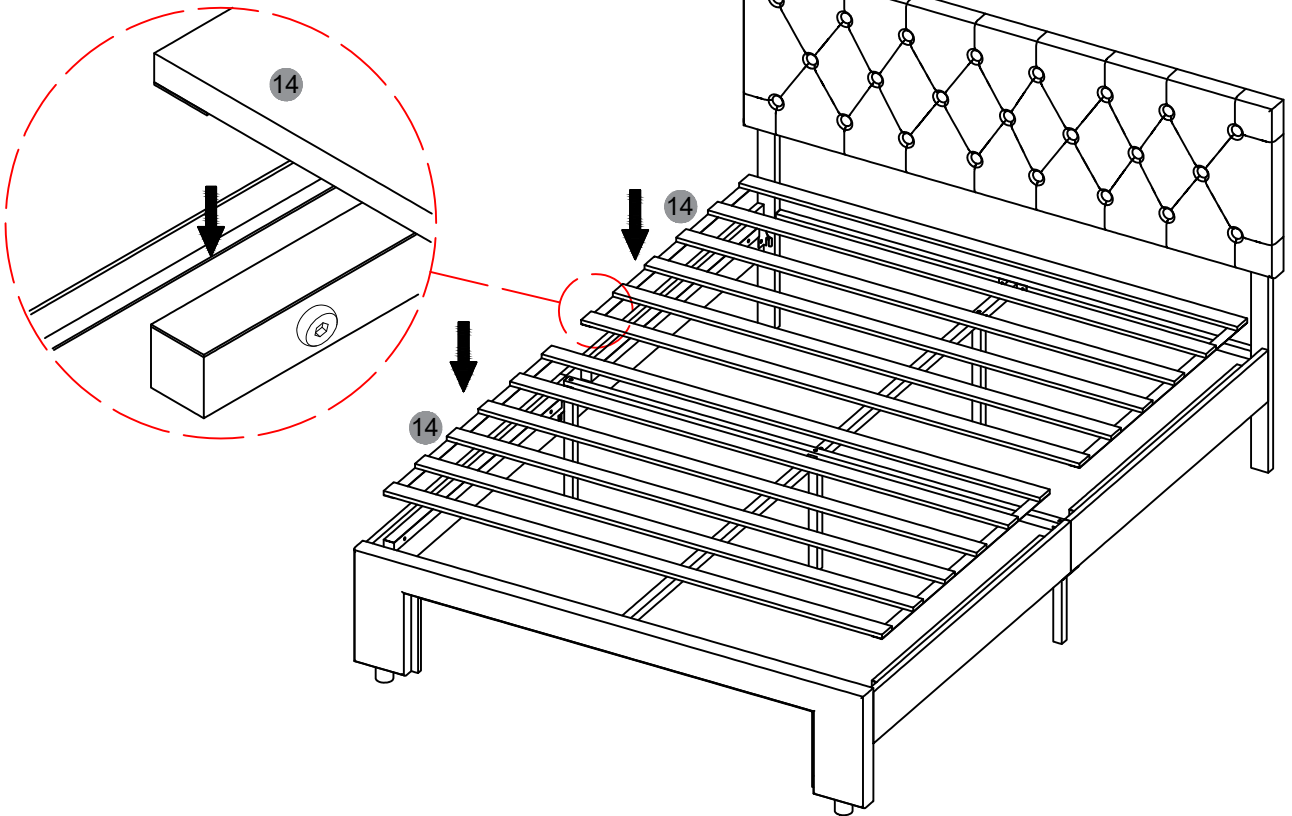


Step 6

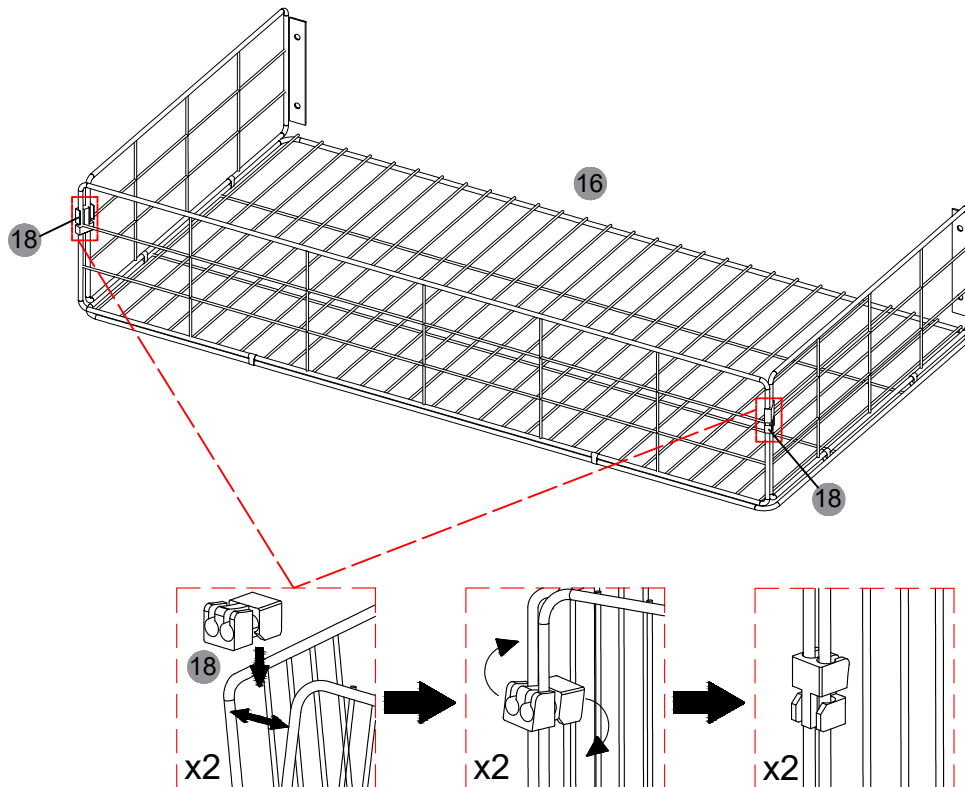
D		M8*20	8PCS
I		D5	1PC



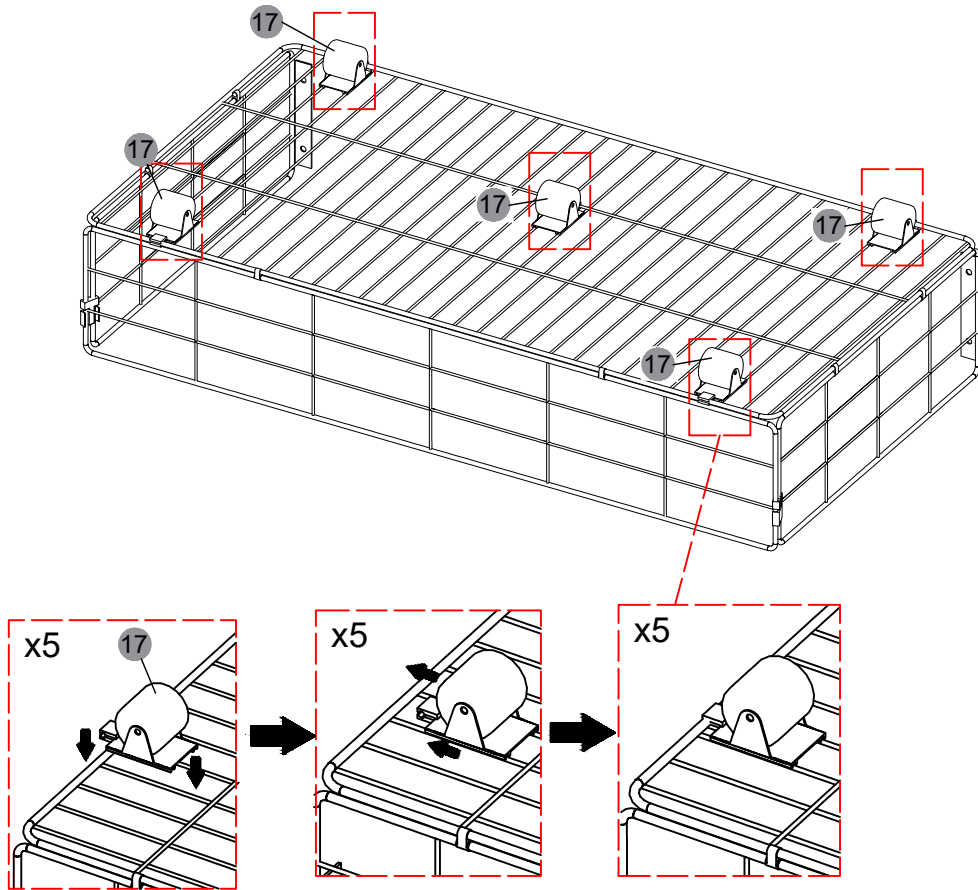
Step 7





Step 8

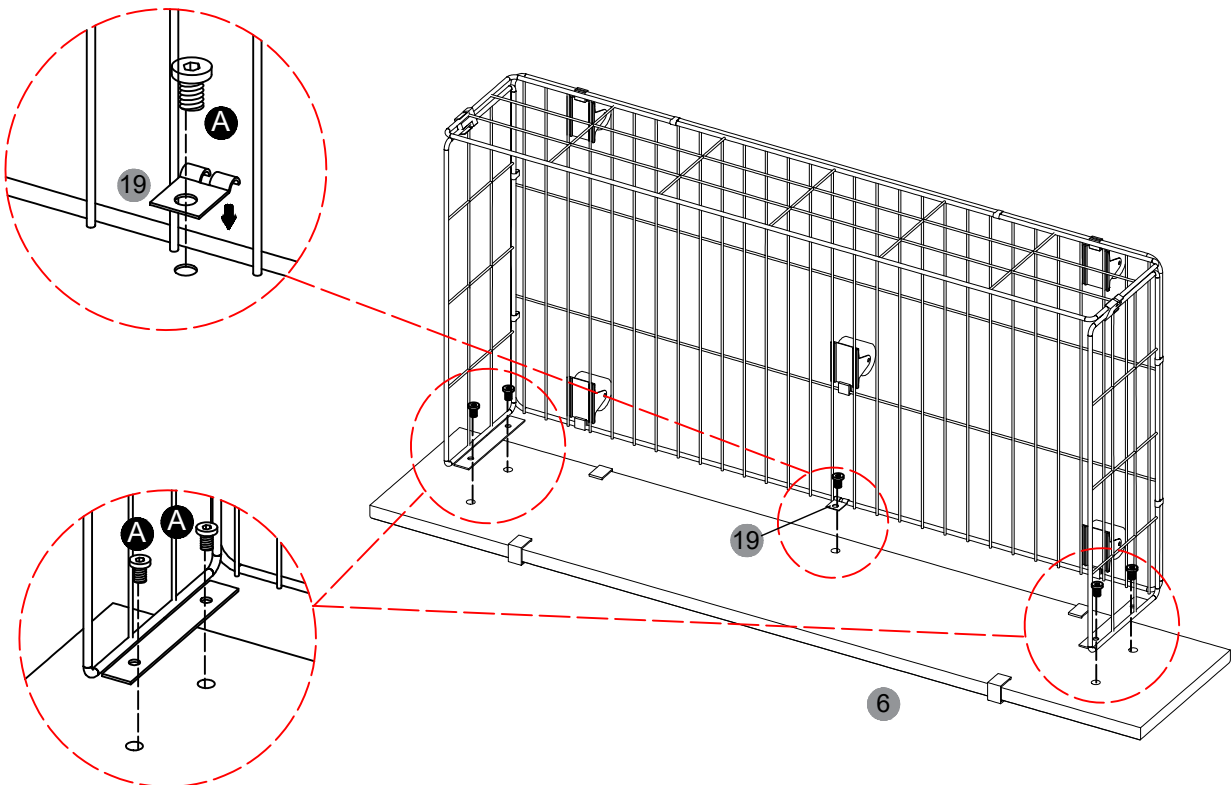


Step 9

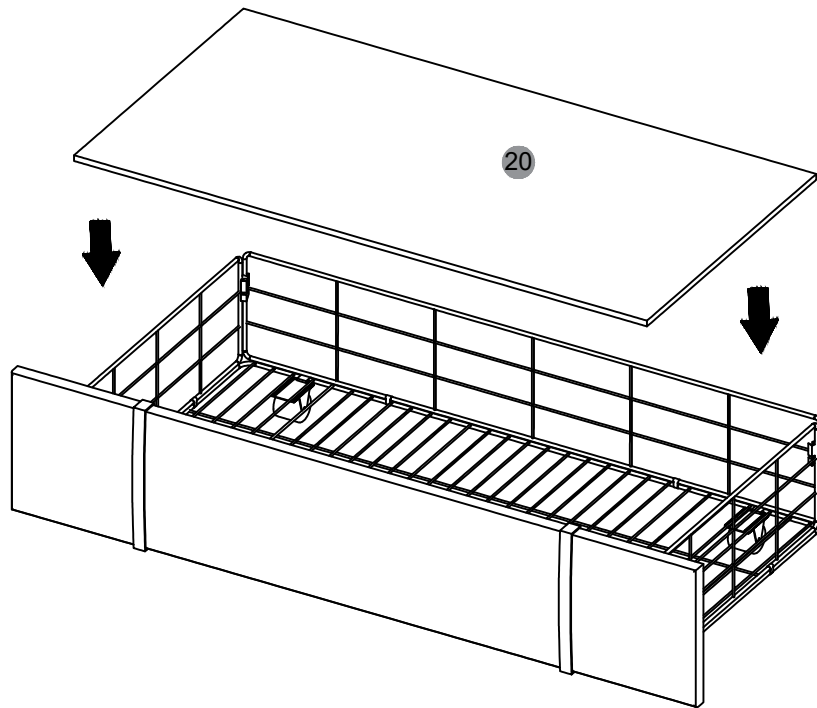


Step 10

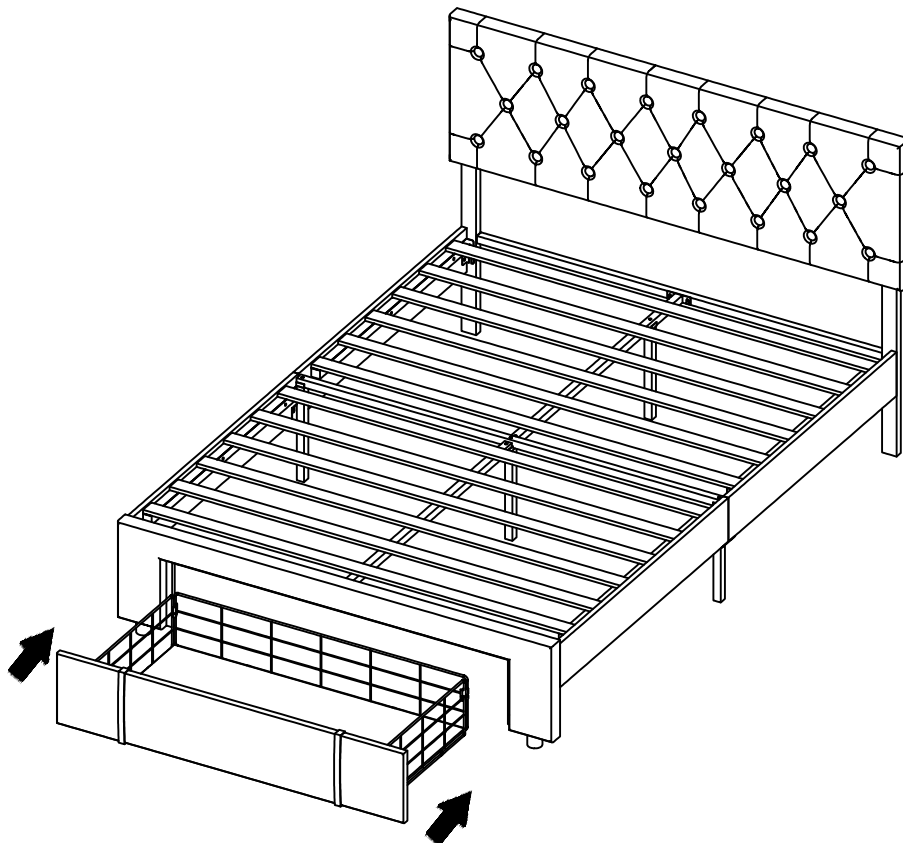
A		M6*12	5PCS
H		D4	1PC



Step 11



Step 12



Note:Pls check and tighten all screws.

IMPORTANT SAFETY INFORMATION

Please carefully read the instructions and caution warnings below before assembling the product. Following this guide will ensure that you install, use and maintain the product properly.

- Please keep this installation and user manual/instructions for future reference in case you need to assemble the product.
- Do not assemble if you notice serious damage such as cracks or bends.
- During installation, please use work gloves for hand safety.
- Please assemble the unit on carpeted floor or the flat cardboard box to avoid scratching the surface or your floor while assembling on the floor.
- To assemble, please use the complimentary installation tools (Allen Wrench). Pay more attention to the direction of components at each steps.
- It is recommended that two people work together to assemble the product.
- Please do not tighten the screws up too much, just to 80% before you finish to make the installation go on successfully.

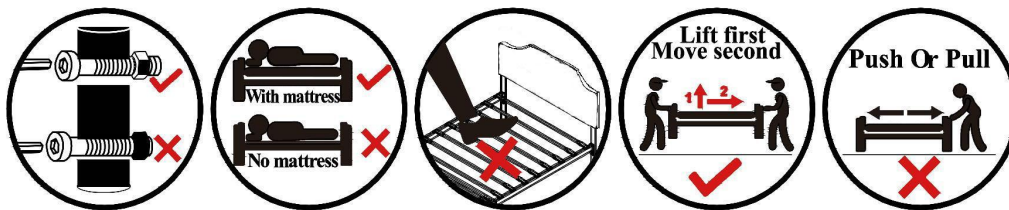
RETURN POLICY

We believe you will absolutely love your new product. But for some reason you want to return your item, please contact us within 30 days after receiving and ensure that the product which you want to return is in a good condition in the original box with all original certificates of purchase, manuals and accessories attached.

HOW TO MAINTAIN YOUR PRODUCT:

- Check the screws of the product are not loose from regular use.
- Do not use sharp instruments, rubbing alcohol, corrosive chemicals, or abrasive cleaners to clean the product.
- Do not keep the product in a damp environment for a long period of time. The damp environment may cause the iron components to rust and the plates to bulge and crack.

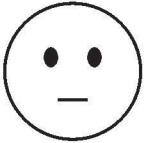
CAUTIONS!



CONTACT US

Dear customer, thank you for purchasing our products!

We are proud to present our customers with high quality products!



If you have any product quality or use problems, please contact our customer service by email, we will ensure your satisfaction.