



SIDE TABLE

SAFETY & WARNINGS

Warning

- Important - Please read these instructions fully before starting assembly.
- Do not sit or stand upon the tabletop.
- Make sure you have enough space to layout the parts before starting.
- Assemble the item as close to its final position (in the same room) as possible.
- We do not recommend the use of power drill/drivers for inserting screws, as this could damage the unit. Only use hand screwdrivers.

Safety Information

- Check you have all the components and tools listed on pages 3.
- Remove all fittings from the plastic bags and separate them into their groups.
- Keep children and animals away from the work area, small parts could choke if swallowed.
- Parts of the assembly will be easier with 2 people.
- Place the product on flat and steady surface during use.
- During assembly do not stand or put weight on the product, this could cause damage.
- Assemble on a soft level surface to avoid damaging the unit or your floor.
- Only upon completion of the assembly should all fixing points be fully tightened.
- Regularly check and ensure that all bolts and fittings are tightened properly.

COMPONENTS



a x 10PCS



b x 10PCS



c x 12PCS



d x 8PCS



e x 4PCS

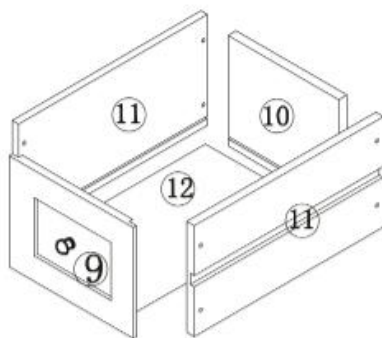
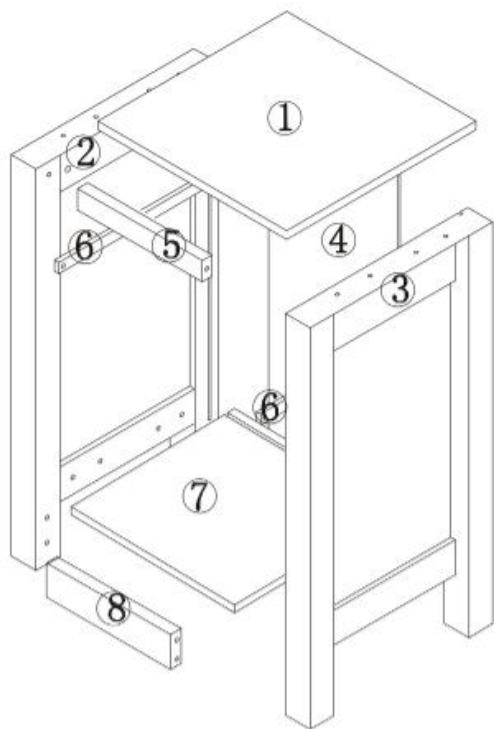


f x 1PC



g x 1PC

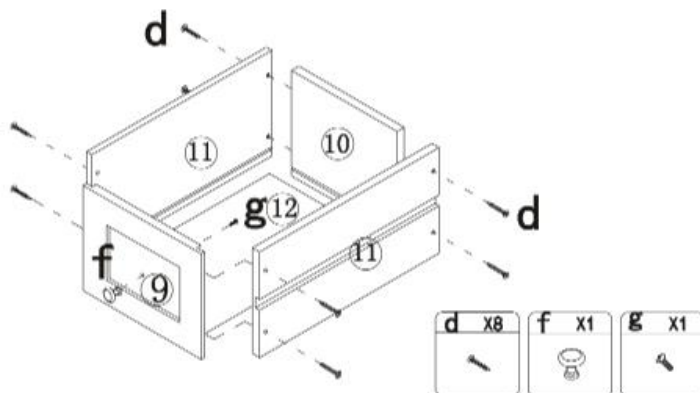
PART LIST



INSTALLATION

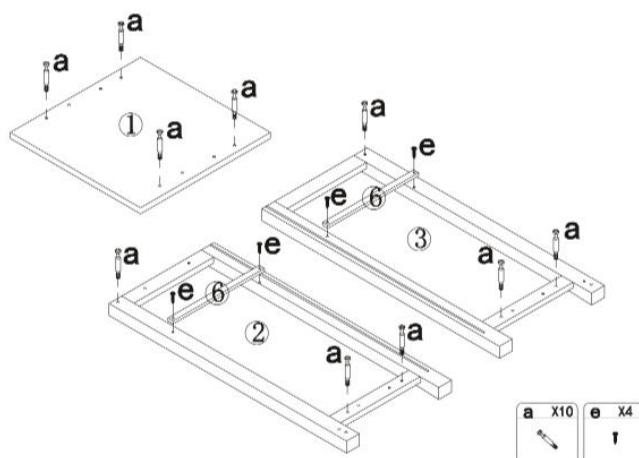
Step 1

Attach ⑨, ⑩ and ⑪ to ⑫ with d. Install f in the middle of ⑨ with g.



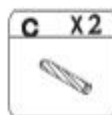
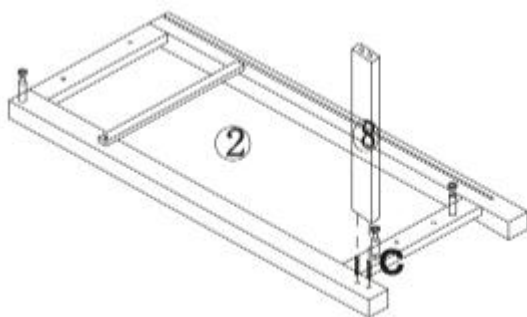
Step 2

Insert a into ①, ② and ③. Attach ⑥ to ② and ③ with e.



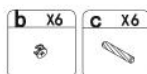
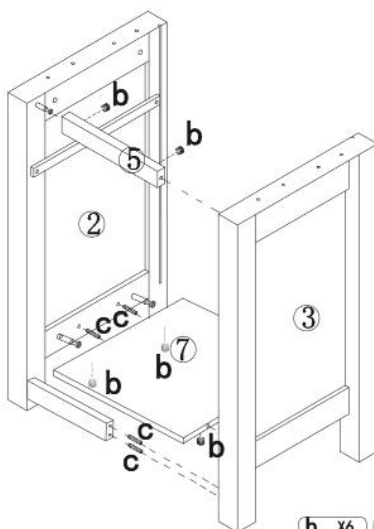
Step 3

Attach ⑧ to ② with c.



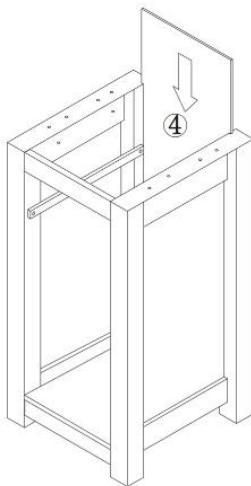
Step 4

Connect ⑤, ⑦ to ② and ③ with b and c as the picture shown.



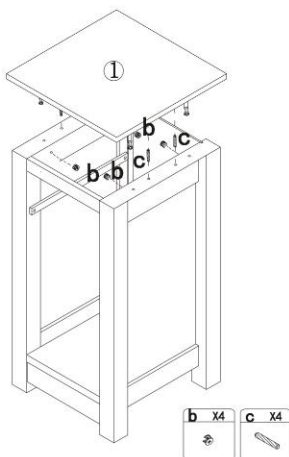
Step 5

Install ④ to the back of the side table by pushing it down.



Step 6

Install ① on top of the side table with b and c.



CLEANING & CARE

- Wipe regularly with clean water and a damp, clean, soft white cloth.
- General cleaning can be done as needed with a mild detergent and water solution.
- Always rinse with clean water and dry. For heavy soiling, dampen a soft white cloth or soft bristle brush. Use care as scrubbing can damage the surface.
- DO NOT use any cleaners with corrosive ingredients (lye, acids or ammonia).
- From time to time check that there are no loose screws on this unit.
- This product should not be discarded with household waste. Take to your local authority waste disposal centre.