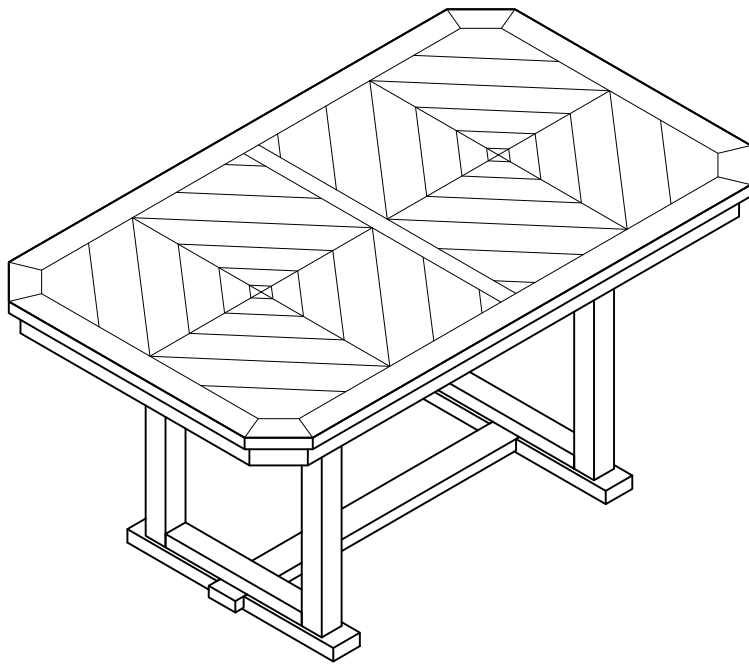


ASSEMBLY INSTRUCTIONS

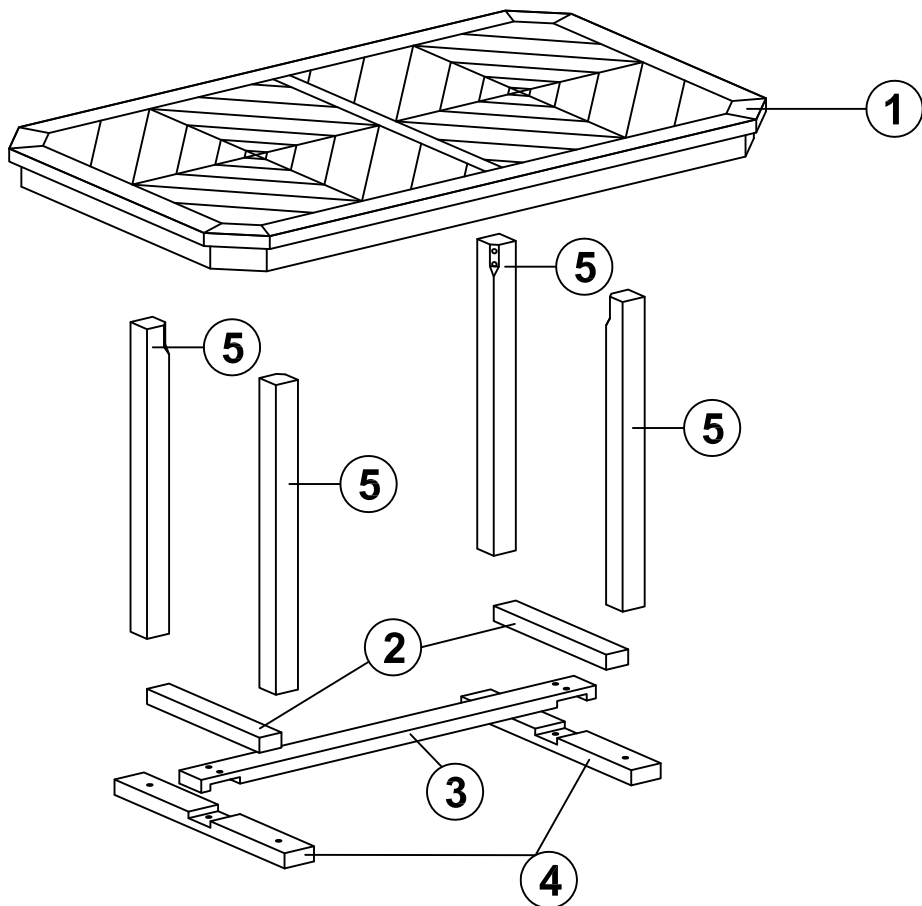
DINING TABLE



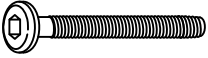




WF298394

IMPORTANT NOTE:

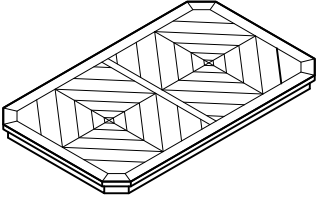


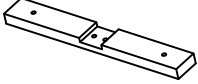
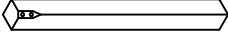
- ① PLACE ALL PARTS ON A CLEAN AND SMOOTH SURFACE SUCH AS A RUG OR CARPET TO AVOID THE PARTS FROM BEING SCRATCHED.
- ② BEFORE YOU BEGIN, KINDLY FOLLOW THE ASSEMBLY INSTRUCTIONS STEP BY STEP.
- ③ DO NOT TIGHTEN ALL SCREWS AND BOLTS UNTIL THE TABLE IS FULLY SET-UP.



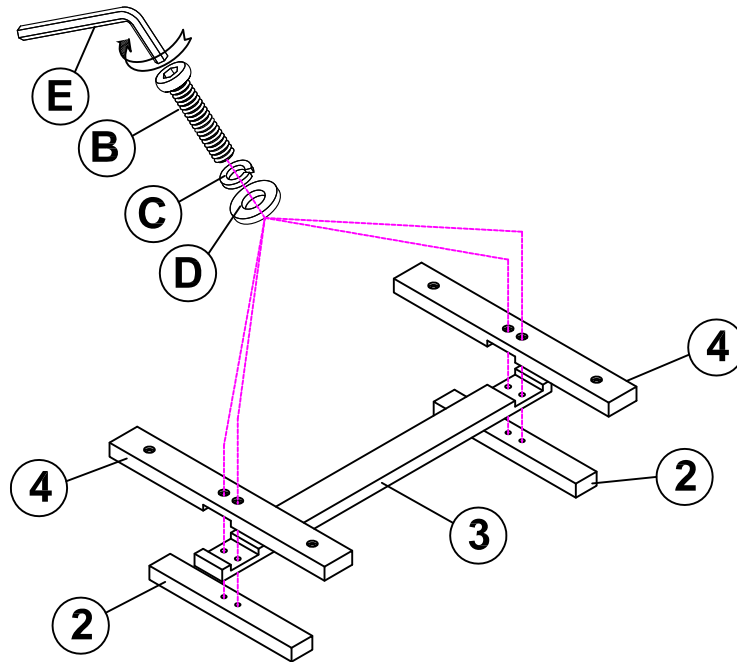
Hardware List For One Table

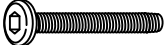



<p>A</p>  <p>Ø5/16"x 60mm</p> <p>BOLT (8pcs)</p>	<p>D</p>  <p>Ø5/16"x 19mm</p> <p>FLAT WASHER (16pcs)</p>
<p>B</p>  <p>Ø5/16"x 50mm</p> <p>BOLT (8pcs)</p>	<p>E</p>  <p>4mm</p> <p>ALLEN KEY (1pc)</p>
<p>C</p>  <p>Ø5/16"x 13mm</p> <p>LOCK WASHER (16pcs)</p>	

Part List For One Table

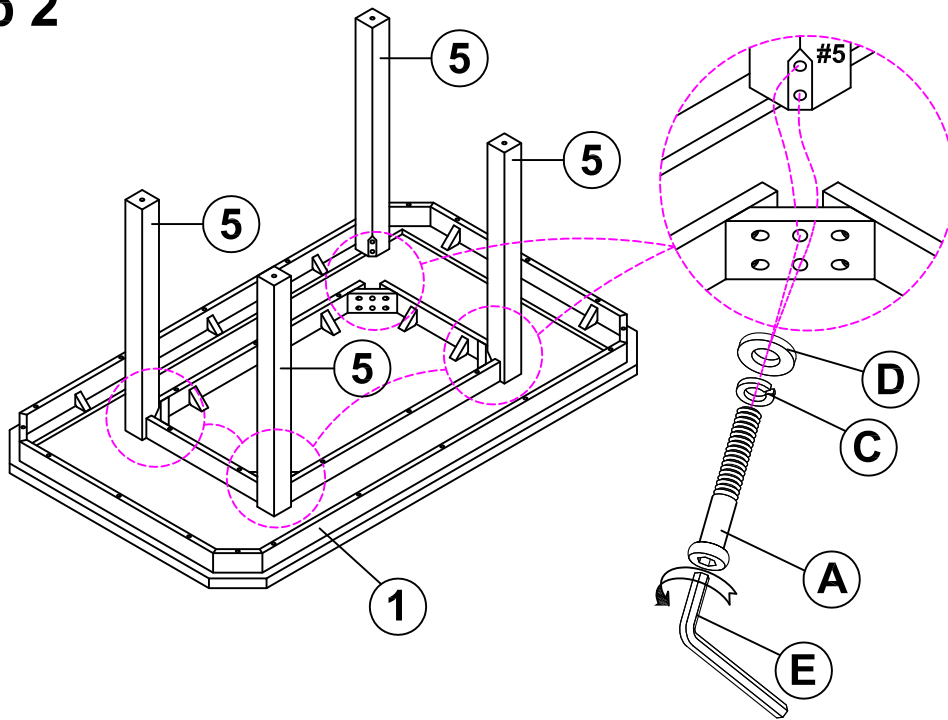
<p>①</p> 	<p>②</p> 
<p>TABLE TOP (1pc)</p>	<p>SHORT SIDE STRETCHER (2pcs)</p>
<p>③</p> 	<p>④</p> 
<p>MIDDLE STRETCHER (1pc)</p>	<p>LONG SIDE STRETCHER (2pcs)</p>
<p>⑤</p> 	
<p>LEG (4pcs)</p>	





Step 1



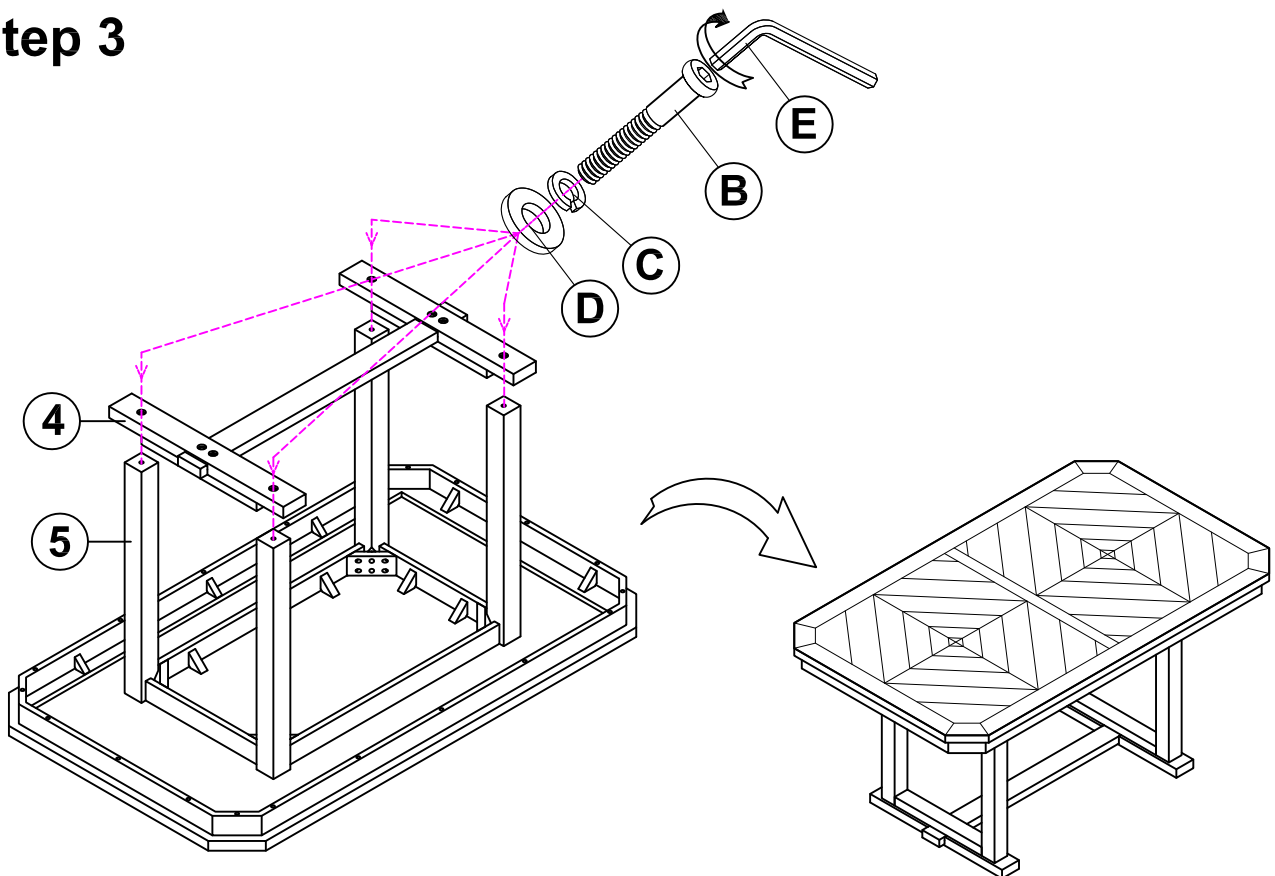
<p>B</p>	<p>Ø5/16" x 50mm  4pcs</p>	<p>D</p>	<p>Ø5/16"x19mm  4pcs</p>
<p>C</p>	<p>Ø5/16"x13mm  4pcs</p>	<p>E</p>	<p>4mm  1pc</p>





Step 2



A	Ø5/16"x 60mm		8pcs	D	Ø5/16"x19mm		8pcs
C	Ø5/16"x13mm		8pcs	E	4mm		1pc

Step 3



B	Ø5/16" x 50mm		4pcs	D	Ø5/16"x19mm		4pcs
C	Ø5/16"x13mm		4pcs	E	4mm		1pc