
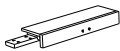

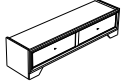
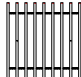



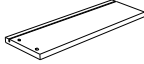


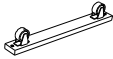

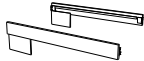


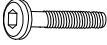




ASSEMBLY INSTRUCTION

Thank you for purchasing the quality product. Be sure to check all packing material carefully for small parts which may have come loose inside the carton during shipment. Separate, identify and count all parts and metal hardware. Compare with all parts list to be sure all parts are present. If any part(s) are missing or damaged, please contact your local furniture dealer. For efficient and speedy service, please indicate the model number and code letter of parts(s) needed.



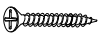
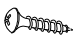
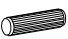
Do not fully tighten screws until fully assembled

| COMPONENT PARTS | | |
|-----------------|---|------------|
| DESCRIPTION | PART NAME | Q'TY (PCS) |
| ① | HEADBOARD  | 1 |
| ② | HEADBOARD LEFT & RIGHT  | 2 |
| ③ | HEADBOARD LEG SUPPORT  | 1 |
| ④ | FOOTBOARD  | 1 |
| ⑤ | SLAT  | 9 |
| ⑥ | CENTER SLAT  | 2 |
| ⑦ | SLAT SUPPORT  | 4 |
| ⑧ | TRUNDLE DRAWER FRONT PANEL  | 2 |
| ⑨ | TRUNDLE DRAWER SIDE PANEL  | 4 |
| ⑩ | TRUNDLE DRAWER BACK PANEL  | 2 |
| ⑪ | TRUNDLE DRAWER BOTTOM PANEL  | 2 |
| ⑫ | TRUNDLE DRAWER BOTTOM SUPPORT WITH CUSTOR WHEEL  | 4 |
| ⑬ | TRUNDLE DRAWER BOTTOM SUPPORT  | 4 |
| ⑭ | SIDE RAIL(L&R)  | 2 |


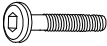


HARDWARE REQUIRED (BOX OF HEADBOARD)

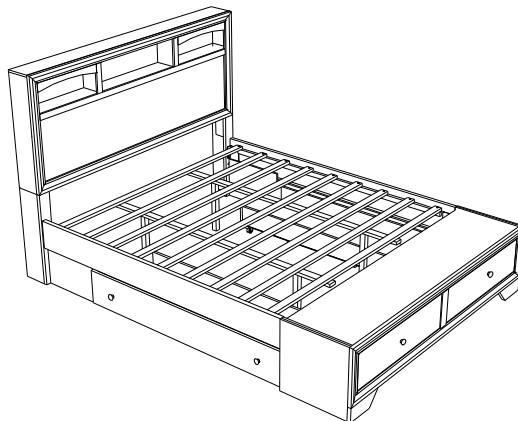
- | | | |
|-----|---|---|
| (A) |  | BOLT 1/4" x 1 3/8" - 8 PCS |
| (B) |  | SPRING WASHER 1/4"- 8 PCS |
| (C) |  | FLAT WASHER 1/4"- 8 PCS |
| (D) |  | ALLEN KEY M4 x 2 9/16- 1 PC |
| (E) |  | FLAT HEAD CHIPBOARD SCREW 5/32" x 1 2/8"- 2 PCS |

HARDWARE REQUIRED (BOX OF TRUNDLE)

- | | | |
|-----|--|--|
| (F) |  | K1536 D1 3/8" x H7/8" HANDLE ANTIQUE BRASS - 4 PCS |
| (G) |  | HANDLE SCREW M4 x 1 3/8"- 4 PCS |
| (H) |  | FLAT HEAD CHIPBOARD SCREW 5/32" x 1 2/8"- 24 PCS |
| (I) |  | PANHEAD CHIPBOARD SCREW 4/32" x 5/8"- 12 PCS |
| (J) |  | WOOD DOWEL 1/4" x 1 3/16"- 16 PCS |

HARDWARE REQUIRED (BOX OF FOOTBOARD)

- | | | |
|-----|---|--|
| (K) |  | FLAT HEAD CHIPBOARD SCREW 5/32" x 1 2/8"- 18 PCS |
| (L) |  | BOLT 1/4" x 2" - 4 PCS |
| (M) |  | ALLEN KEY M4 x 2 9/16- 1 PC |
| (N) |  | ALLEN KEY M5 x 2 9/16- 1 PC |

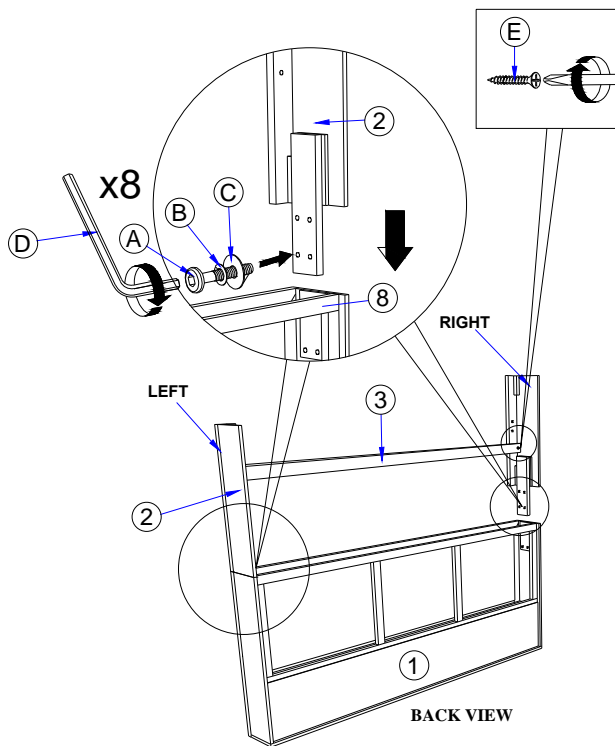


Attention:

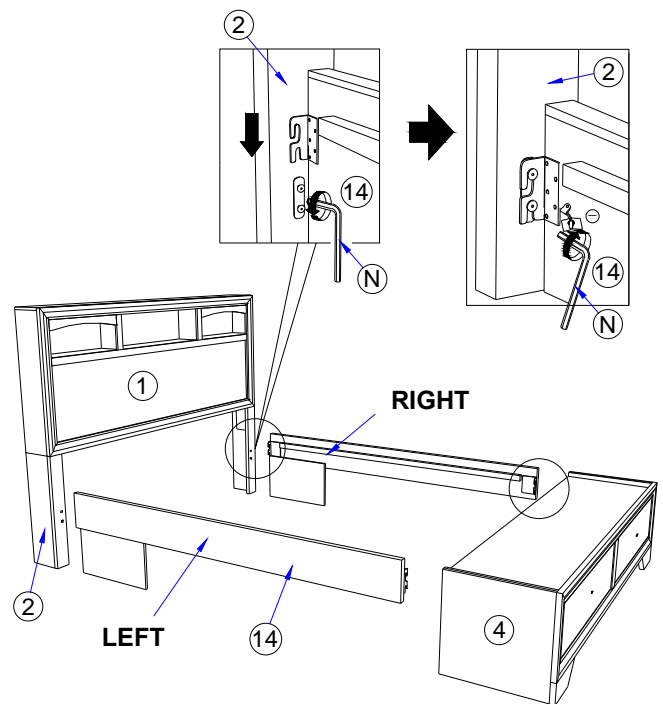
*** Some number parts listed in the instruction sheet may not be in parts bags as they already be assembled. Carefully check parts and packing materials prior to ordering replacements.

How to assemble:

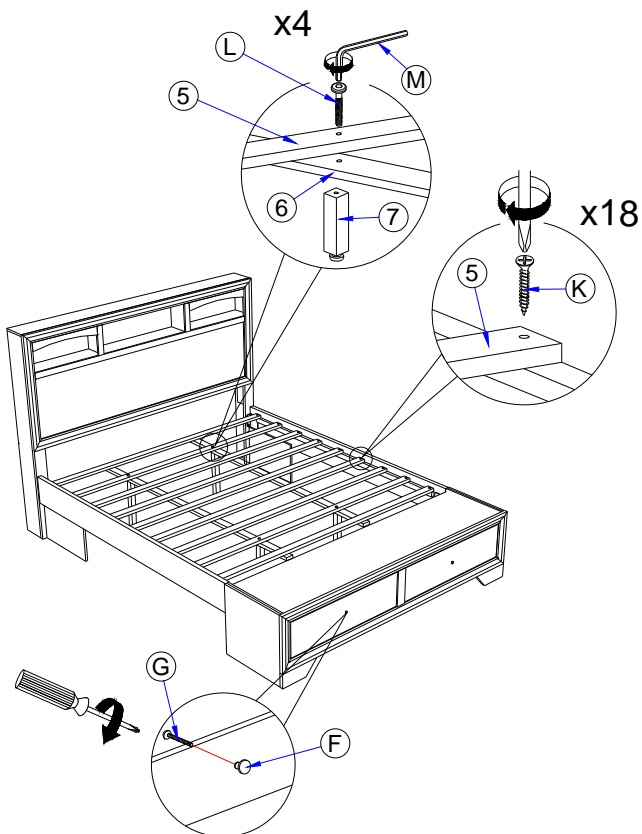
Step 1:



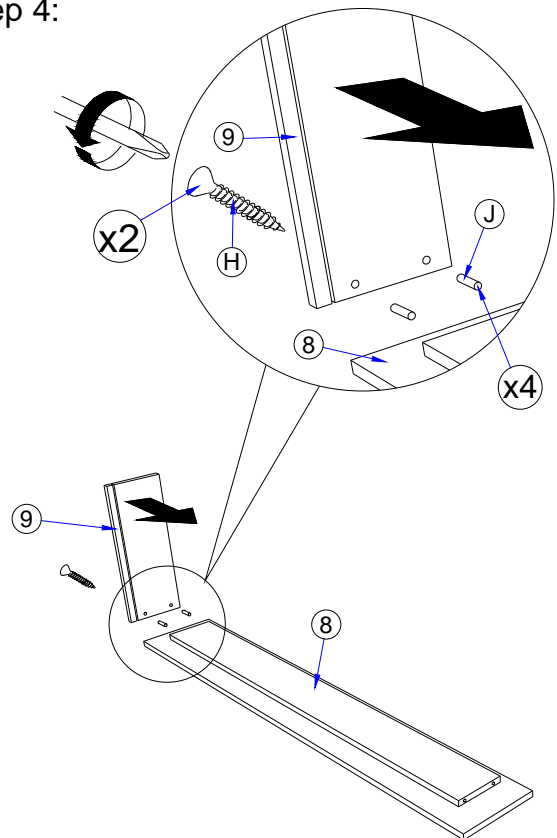
Step 2:



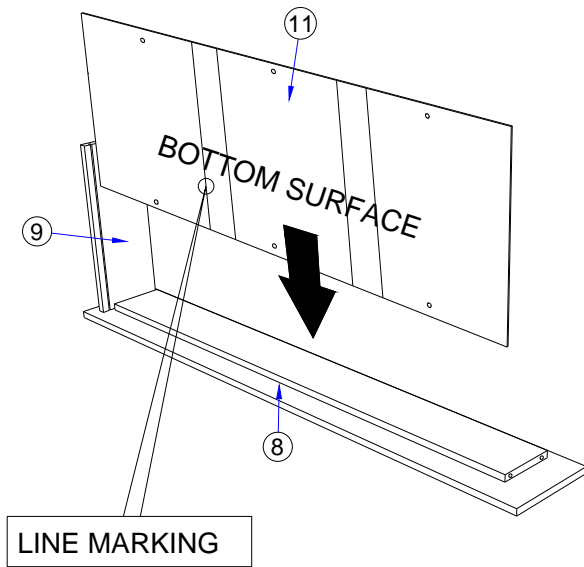
Step 3:



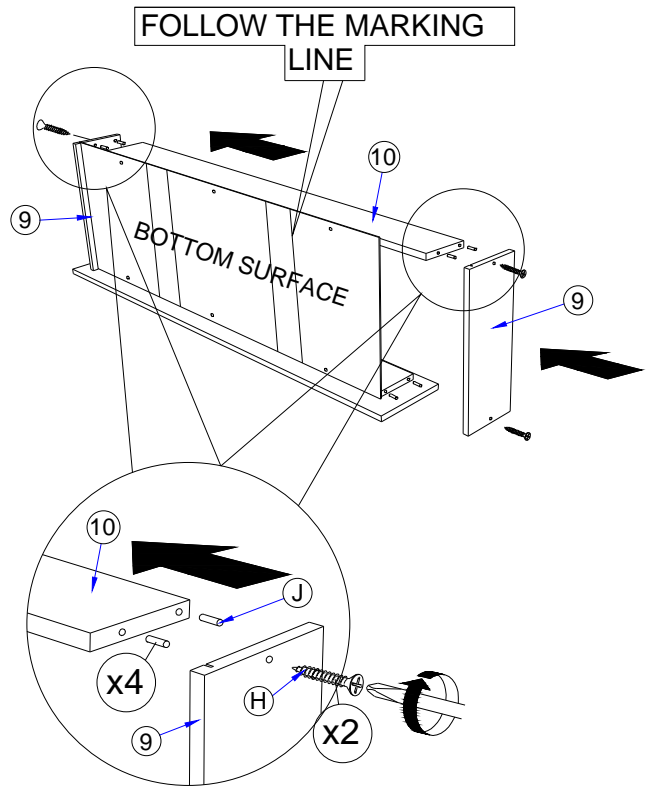
Step 4:



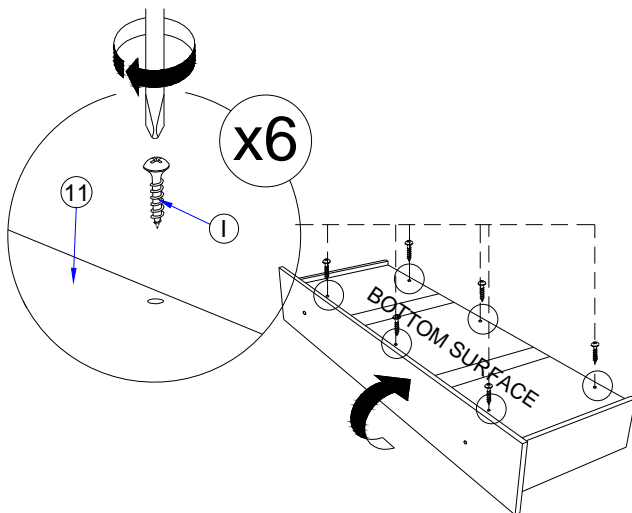
Step 5:



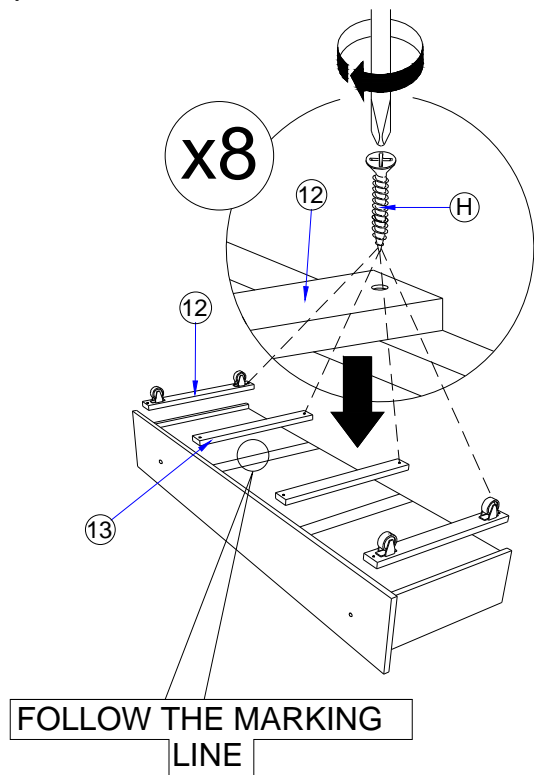
Step 6:



Step 7:



Step 8:



Step 9:

