

Assembly Instructions

CAUTION: You must read these Assembly Instructions before you proceed.

Care & Maintenance



• Not for commercial use. For residential use only.



• Do not put hot items directly on furniture surface.



• Do not clean furniture with harsh cleansers or polish.



• To obtain the longest lifespan of your outdoor product minimizing exposure to direct sunlight is recommended.



• Children should not climb or jump on the furniture.



• Do not write on furniture without a padded barrier to protect the surface.



• To obtain the longest lifespan of your outdoor products, avoid extended and lengthy exposure to rain, snow, and direct sunshine. Whenever possible cover the product and /or place under patio or awnings.



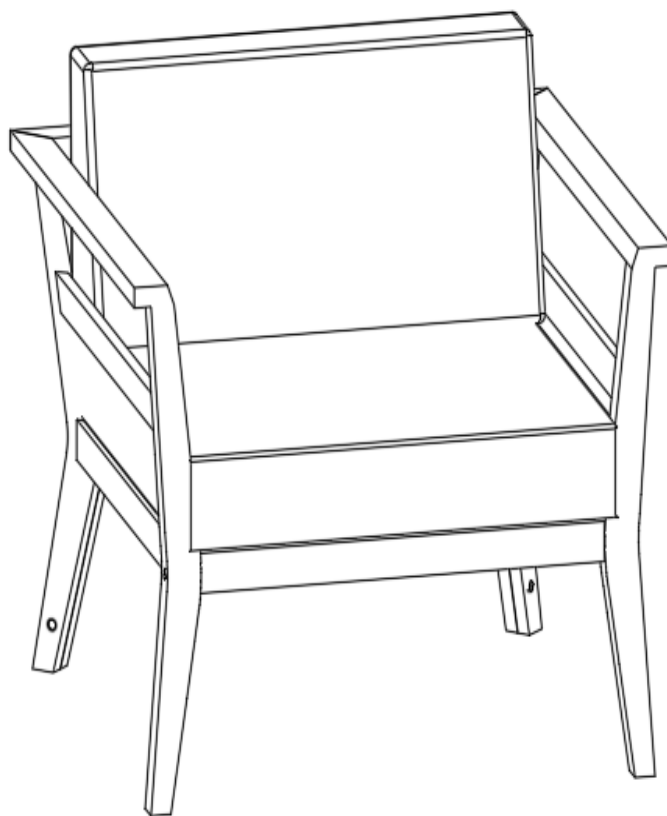
• Stains may be removed with mild soap solution and damp cloth.



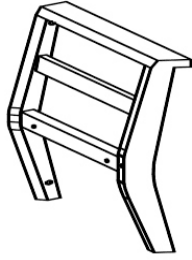
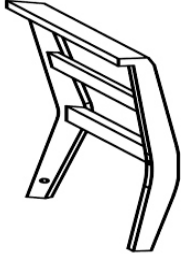
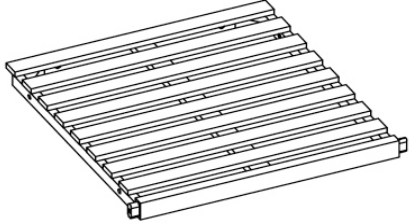
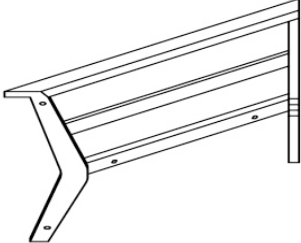
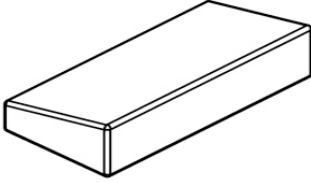

• Dust and pick-up spills using a clean, non-colored, lint- free cloth.

Please look in the Seat Panel for hardware packs.


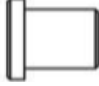




CLUB CHAIR



Parts List:

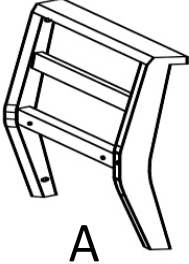
| Label | Picture | Description | QTY |
|-------|---|-----------------|-----|
| A |  A line drawing of a right leg panel, showing a curved leg and a horizontal support bar. | Right Leg Panel | 1 |
| B |  A line drawing of a left leg panel, showing a curved leg and a horizontal support bar. | Left Leg Panel | 1 |
| C |  A line drawing of a seat panel, showing a rectangular frame with multiple horizontal slats. | Seat Panel | 1 |
| D |  A line drawing of a backrest panel, showing a curved backrest and a horizontal support bar. | Backrest Panel | 1 |
| E |  A line drawing of a rectangular back cushion. | Back Cushion | 1 |
| F |  A line drawing of a rectangular seat cushion. | Seat Cushion | 1 |

Hardware:

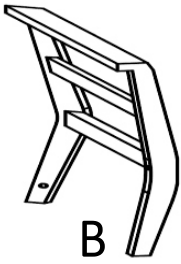
| No | Picture | Description | QTY |
|----|---|----------------------|-----|
| ① |  | Bolt (M6*30mm) | 5 |
| ② |  | Sleeve Nut (M6*15mm) | 5 |
| ③ |  | Bolt (M6*100mm) | 3 |
| ④ |  | Bolt (M6*35mm) | 7 |
| ⑤ |  | Cross Nut (M6*13mm) | 3 |
| ⑥ |  | Allen Wrench | 2 |

Assembly Preparation:

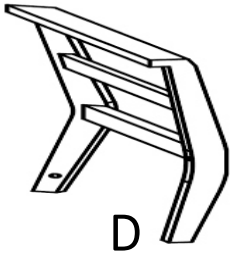
Before Beginning Assembly:



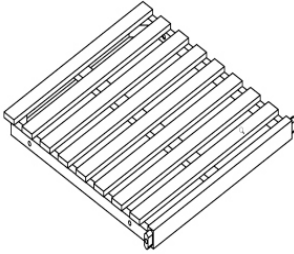
A



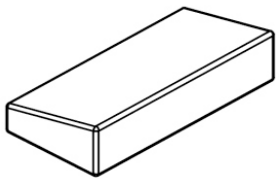
B




D









C



E



F

| | | |
|---|---|----|
| ① |  | x5 |
| ② |  | x5 |
| ③ |  | x3 |
| ④ |  | x7 |
| ⑤ |  | x3 |
| ⑥ |  | x2 |



• Read instructions, cover to cover-



• Have 2 adults on hand for assembly-



• Do not assemble on flooring or carpet-



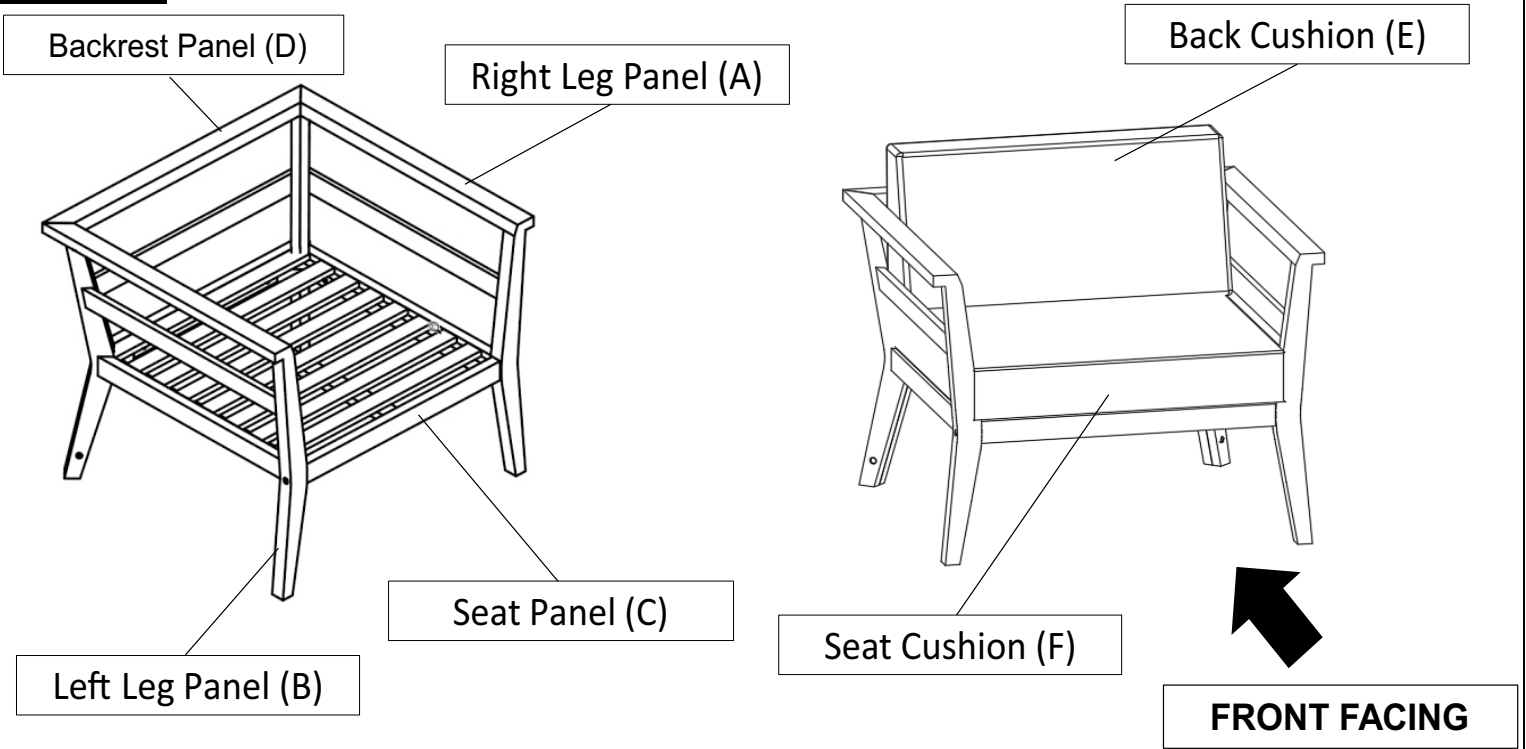
• Assemble on a clean non-marring surface (packing foam)-



• Save all packaging until finished-

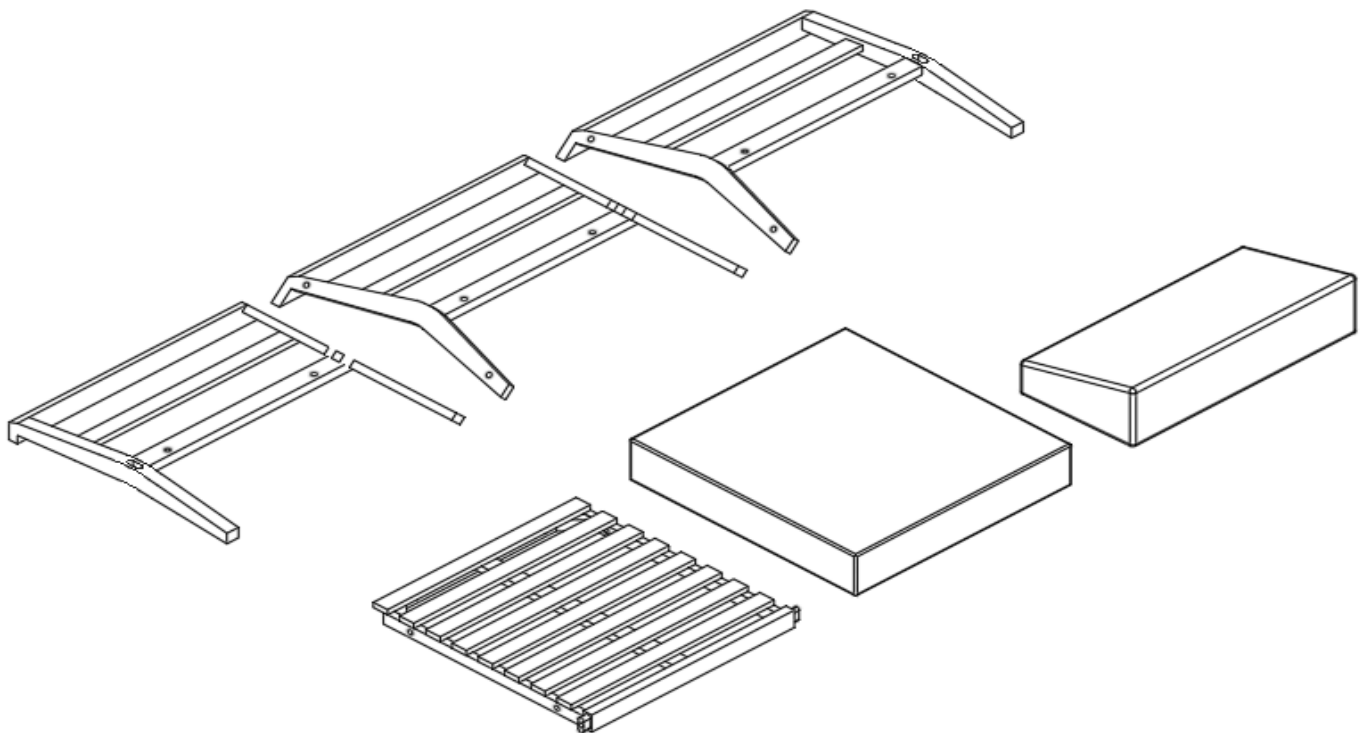
Assembly Steps:

Overview:



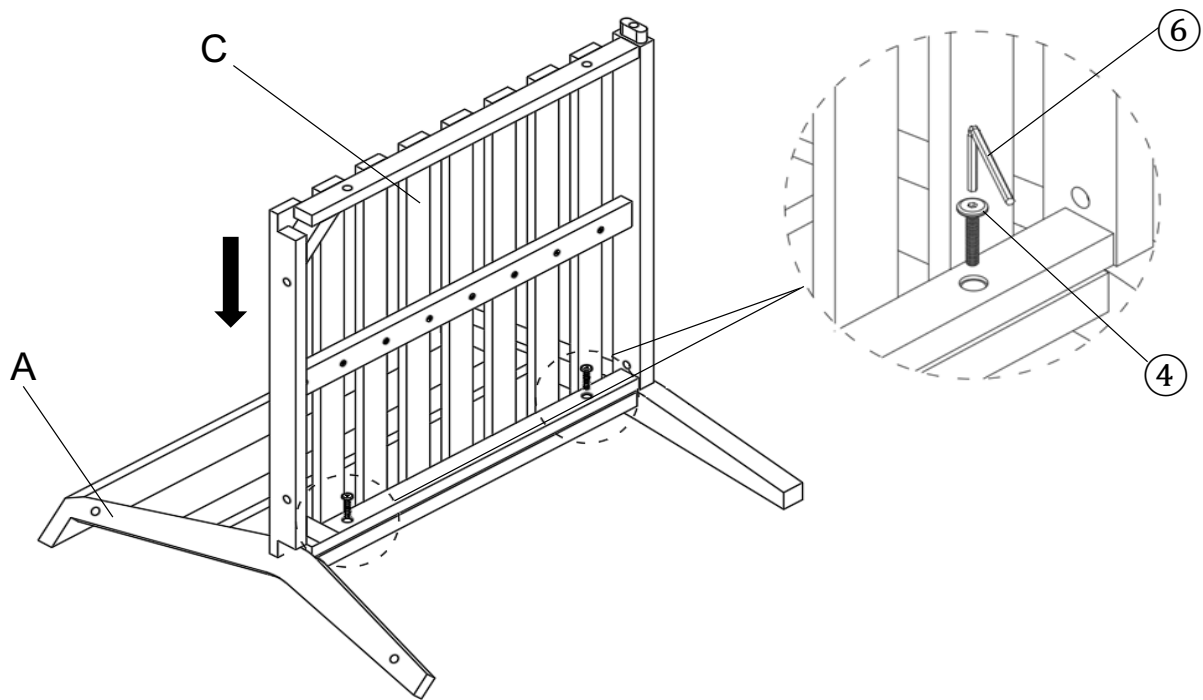
This Chair has multiple parts and may require up to 30 minutes to assemble. To give you an overview of the Chair parts, the above picture is to help you put the various parts into perspective. Please read through the instructions below to familiarise yourself with the parts and steps before assembly.

Step 1:



Unpack and place all parts on a clean, non-marring surface.

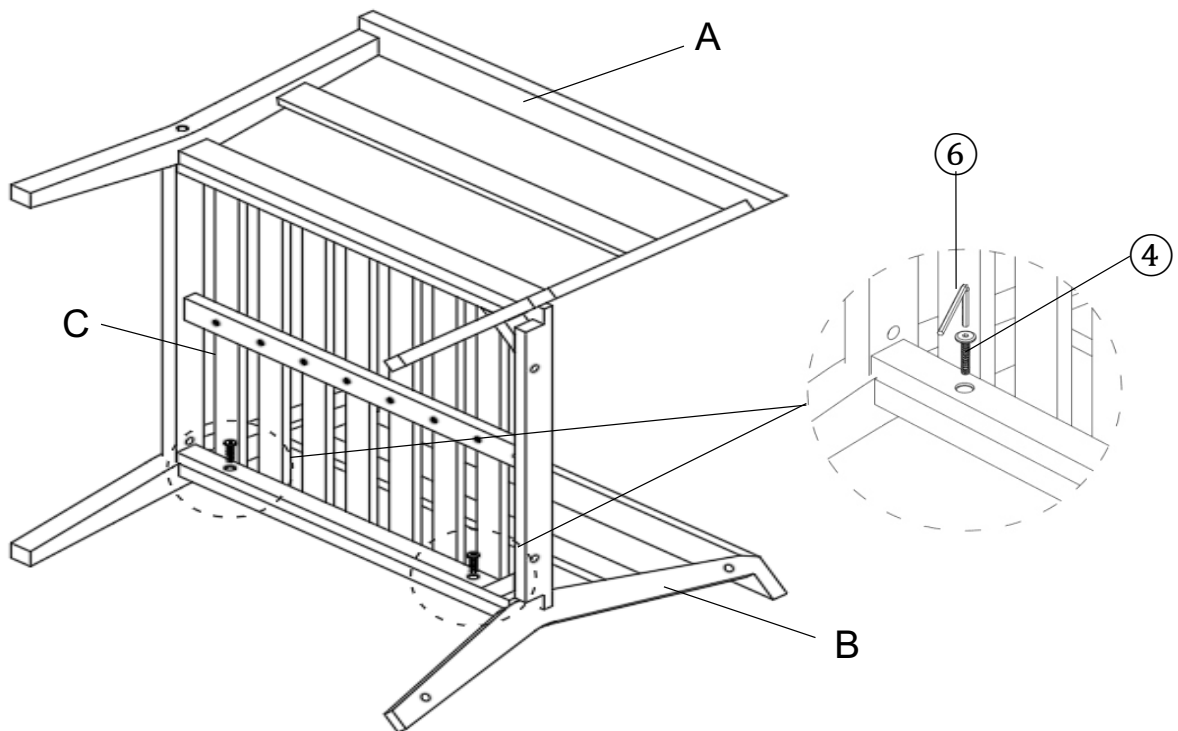
Step 2:



With the help of your adult partner, place the Right Leg Panel (A) on a clean, non-marring surface. Then attach the Seat Panel (C) to the Right Leg Panel (A) using Bolts (4) and Allen Wrench (6) as shown above.

Do not fully tighten the Bolts.

Step 3:

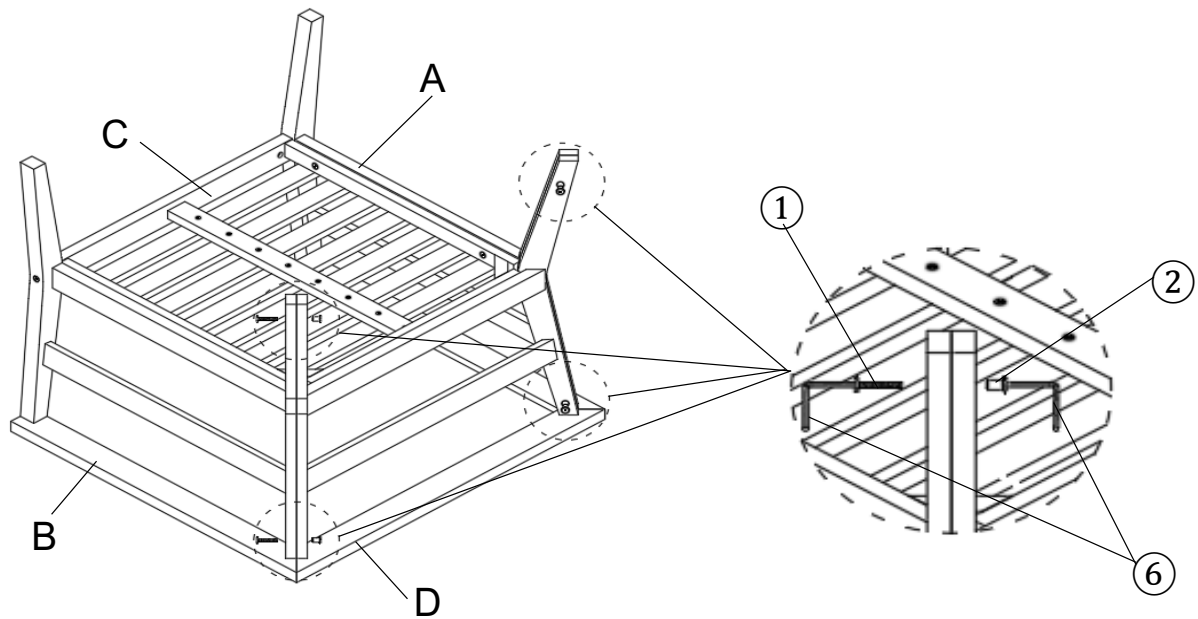


Place the Left Leg Panel (B) on a clean, non-marring surface.

With the help of your adult partner, place the assembled part in Step 2 to the Left Leg Panel (B) and then secure the Seat Panel (C) to the Left Leg Panel (B) by using Bolts (4) and Allen Wrench (6) as shown above.

Do not fully tighten the Bolts.

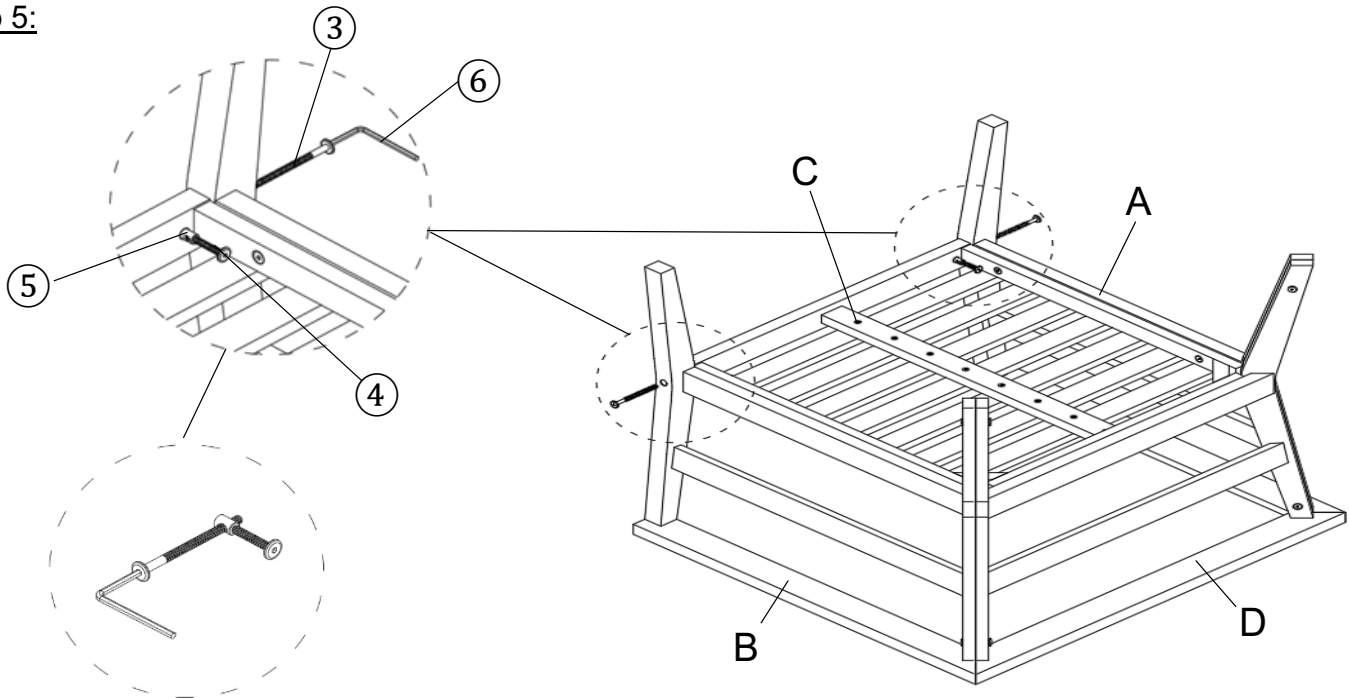
Step 4:



With the help of your adult partner, turn the assembled part in Step 3 upside down. Then attach the Backrest Panel (D) to the Seat Panel (C) and Right Leg Panel (A) and Left Leg Panel (B) of the assembled part in Step 3 and then secure by using Bolts (①), Sleeve Nuts (②) and Allen Wrenches (⑥) as shown above.

Do not fully tighten the Bolts.

Step 5:

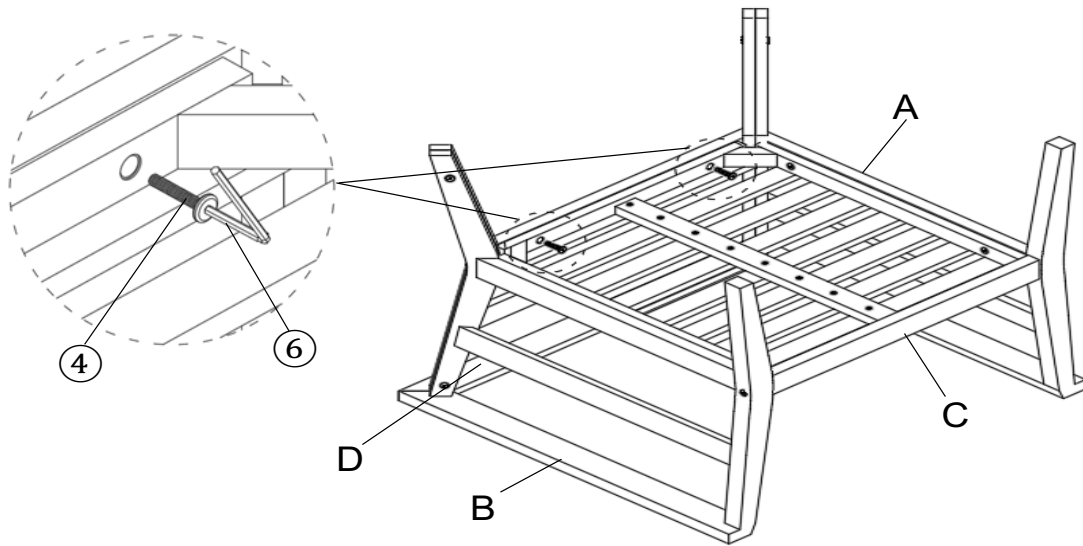


With the help of your adult partner, secure the Right Leg Panel (A) and Left Leg Panel (B) to the Seat Panel (C) by using Bolts (③), Cross Nuts (⑤), Bolts (④) and Allen Wrench (⑥) as shown above.

Note: Affix the Bolt (④) into the Cross Nut (⑤) inside the Right Leg Panel (A) and Left Leg Panel (B) then remove Bolt (④) from the Cross Nut (⑤).

Do not fully tighten the Bolts.

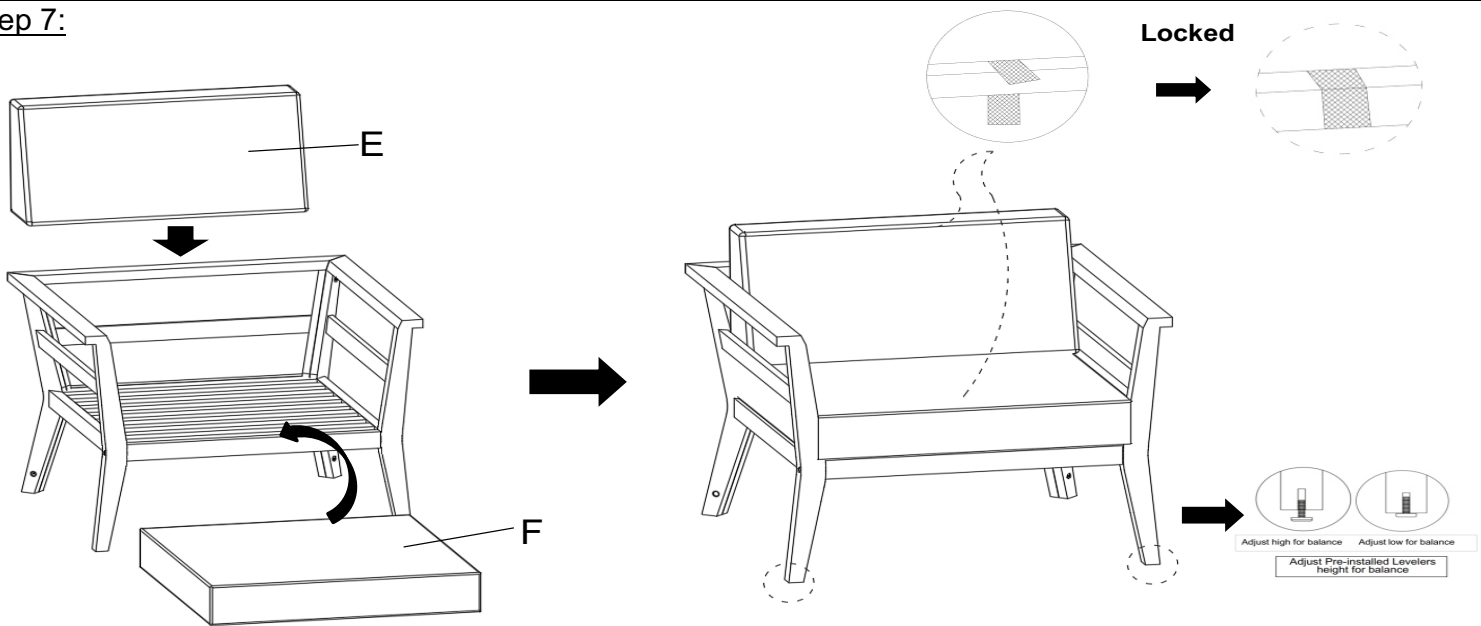
Step 6:



Secure the Backrest Panel (D) to the Seat Panel (C) by using Bolts (④) and Allen Wrench (⑥) as shown above.

Do not fully tighten the Bolts.

Step 7:



Inspect it and make sure all parts are adequately connected.

Turn the Chair right side up.

Gently and gracefully, sit onto the Chair.

This will help to align all the parts at all joint areas.

Then get off the Chair and in a sequential manner, gradually tighten all Bolts at all joints until evenly connected.

If there are still wobbles, loosen the Bolts and execute this same process.

Adjust Pre-installed Leveler height for balance as shown above.

Place the Seat Cushion (F) by affix the Magic Tape Straps on the Seat Panel (C) and then place the Back Cushion (E) onto the Seat Cushion (F) by affix the Magic Tape Straps on the Backrest Panel (D) as shown above.

WARNING!! IF CHAIR IS NOT STABLE, IT COULD LEAD TO DAMAGING THE PRODUCT.

Your Chair is ready for use.

This Chair can only be used on a flat, level surface.