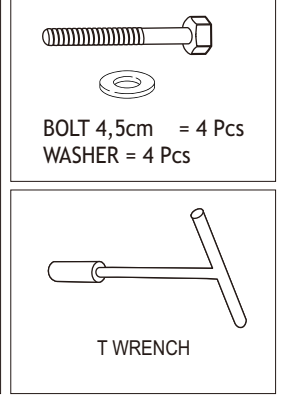
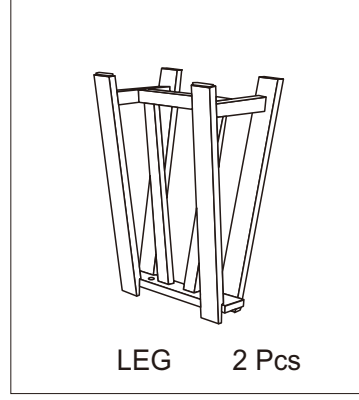
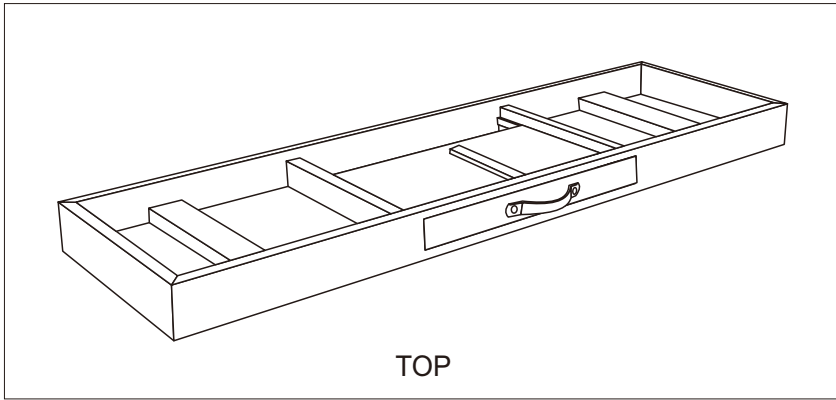


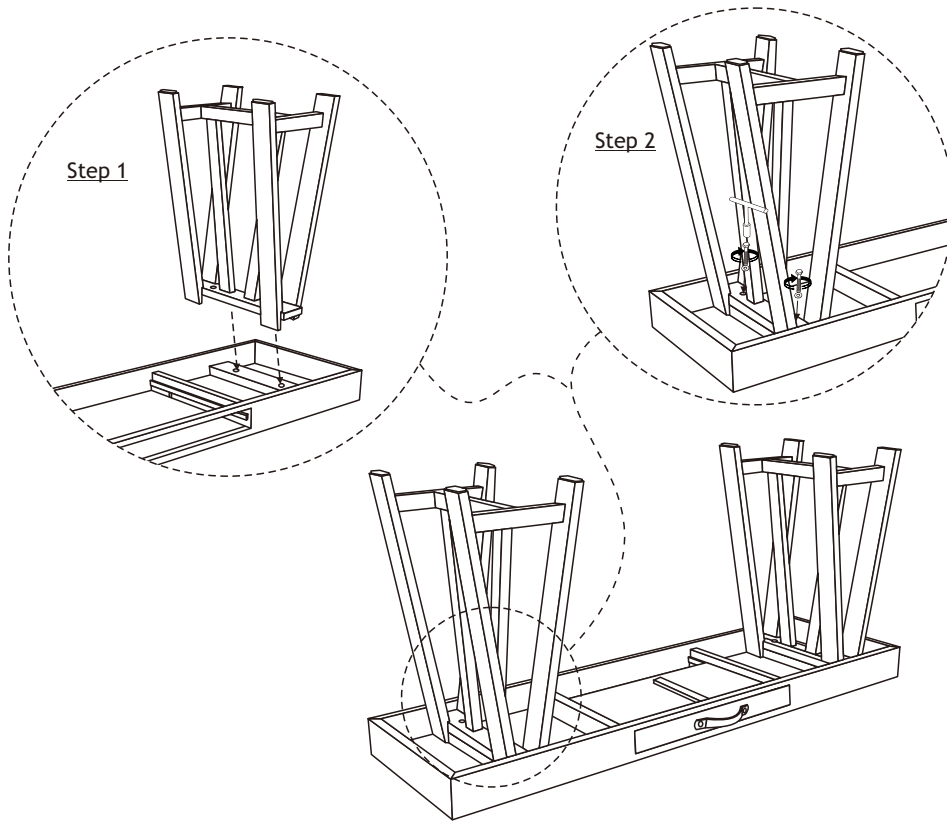
COMPONENTS



ASSEMBLY INSTRUCTION CONSOLE TABLE

Just 5 minutes for The Beautiful Console Table

- 1** Positioned the tabletop up-side down on the clean surface. Place the legs exactly on the each corner of the table top. Fit it with the ready holes, then install and tighten the bolts with the wrench.



- 2** Positioned the console table to the right position. Console table is ready to use.

