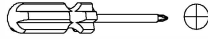



ASSEMBLY INSTRUCTIONS

NIGHT STAND

ASSEMBLY REQUIREMENTS	2-Person Assembly	2 Hours Assembly Time (Approximate)		
	Tools Required (Not Provided)		Phillips Screwdriver	Mallet

Thank you for purchasing our product!

Please refer and use this assembly instruction to assemble the product. Contact our customer service department in case there are any missing or damage parts or hardware. Replacement parts are normally shipped within 2 or 3 days.

Email: replacementparts@buylateral.com
Within 30 days from delivery date

We appreciate your business!

ASSEMBLY PREPARATION:

1. Remove all packaging materials, staples and packing straps from the carton.
2. Refer to Parts List and Hardware List and ensure parts and hardware are correct before assembly. Contact customer service for missing parts.
3. Place all wooden parts on a clean, flat and soft surface (e.g. carpet or rug) to prevent scratch and damage to parts

SAFETY PRECAUTION:

1. KEEP ALL HARDWARE PARTS OUT OF REACH OF CHILDREN.
2. DISPOSE PLASTIC PACKAGING MATERIAL IMMEDIATELY TO AVOID ANY RISK OF SUFFOCATION TO CHILDREN AND ANIMALS.

TIPS FOR ASSEMBLY:

1. Allow ample room for assembly and in close proximity to where product will be placed.
2. Assemble the product on a surface that does not scratch or damage the exterior gloss and finish of the furniture.
3. Identify all of the parts, hardware and quantities required for each step.
4. During assembly, do not over-tighten any fittings as this may cause damage.
5. DO NOT USE POWER TOOLS TO ASSEMBLE THIS PRODUCT.
6. Always place the product on a flat, level surface.
7. Do not sit or stand on the partially assembled product; only use the product for which it is intended.

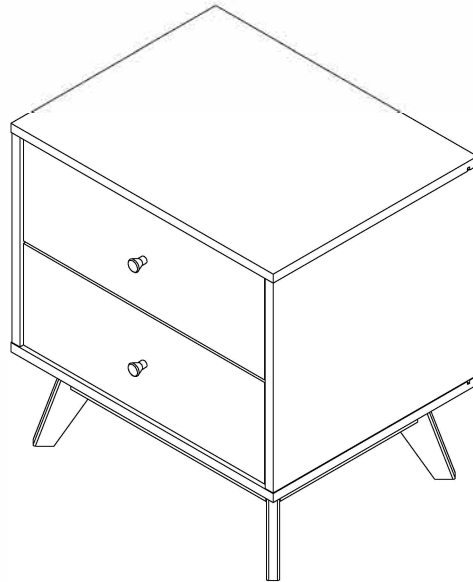
CARE AND MAINTENANCE:

- Use a slightly damp cloth to clean the product. Do not use bleach or abrasive cleaning material.
- Check all the fittings periodically and re-tighten as necessary. Do not use the product if any of the parts is damaged or broken.
- Never allow any kind of liquid to remain on your furniture. Absorption can cause wood to warp or delaminate.
- Do not place hot items (e.g. hot drinks) directly onto the wood surface.
- Do not drag and pull your furniture.






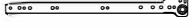



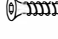


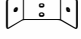
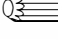

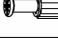



This product is for indoor and household use only - not for commercial or industrial use.

ASSEMBLY INSTRUCTIONS

NIGHT STAND



HARDWARE LIST

NO		DESCRIPTION	QTY	EXTRA	NO		DESCRIPTION	QTY	EXTRA
A		CSK SCREW M3.5 X 12MM	8	1	L		9116018 CAM-LOCK	4	
B		CSK SCREW M3.5 X 15MM	16	1	M		PLASTIC KNOB HANDLE (VK48)=(1PC) WITH SCREW (M3.5 X 25MM)=(1PC)	2 SETS	
C		CSK SCREW M4 X 25MM	8	1	N1		METAL DRAWER SLIDE CR(350MM)	2	
D		CSK SCREW M4.5 X 32MM	8	1	N2		METAL DRAWER SLIDE CL (350MM)	2	
E		EURO SCREW M6 X 9MM	8	1	P1		METAL DRAWER SLIDE DR(350MM)	2	
F		JCBC(W) SCREW M6 X 40MM	8	1	P2		METAL DRAWER SLIDE DL (350MM)	2	
G		WOOD DOWEL (Ø6 X 20MM)	4	1	Q		TABLE CORNER BRACKET (5HOLES) (1.5 X 30 X 30 X 50 X 45MM)	4	
H		WOOD DOWEL (Ø8 X 25MM)	12	1	R		ALLEN KEY M4	1	
J		CAM-BOLT DU319 20 X 5MM	16		S		BACKPLY STOPPER	8	
K		9064684 CAM-LOCK	12		T		GLUE	2	

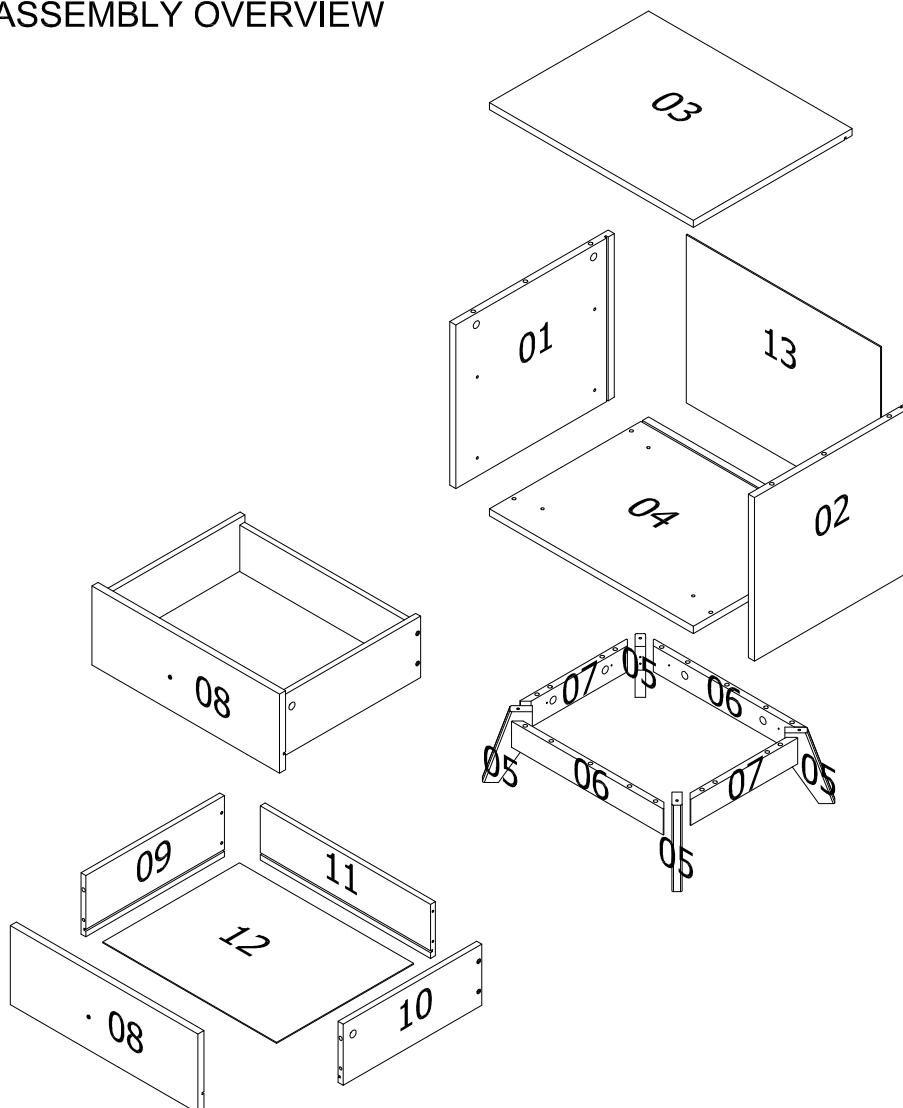
*EXTRA HARDWARE FOR SPARE USE.

PARTS LIST

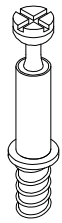
NO.	PART NAME	QTY
1	SIDE PANEL (LEFT)	1
2	SIDE PANEL (RIGHT)	1
3	TOP PANEL	1
4	BOTTOM PANEL	1
5	WOODEN LEG	4
6	FRONT / REAR BOTTOM RAIL PANEL	2
7	LEFT / RIGHT BOTTOM RAIL PANEL	2

NO.	PART NAME	QTY
8	DRAWER FRONT PANEL	2
9	DRAWER FRONT (LEFT)	2
10	DRAWER FRONT (RIGHT)	2
11	DRAWER BACK	2
12	DRAWER BOTTOM	2
13	BACK PANEL	1

PARTS LIST - ASSEMBLY OVERVIEW



Instructions For Fastening CAM-BOLT and CAM-LOCK

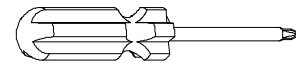
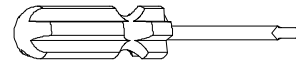


CAM-BOLT

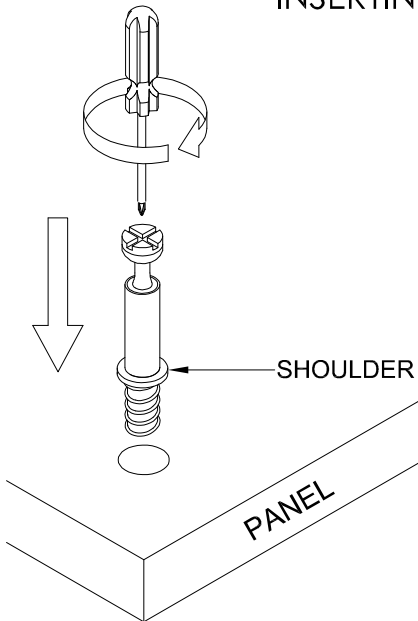


CAM-LOCK

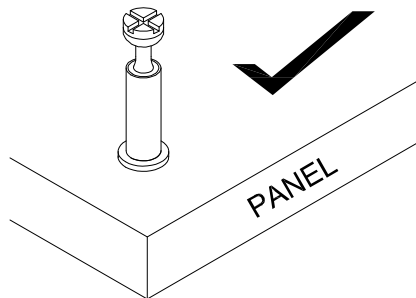
Tools Required



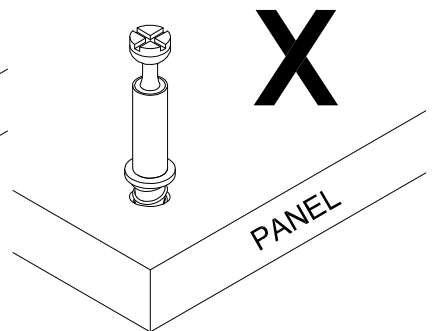
INSERTING AND TIGHTENING CAM-BOLT



Place Cam-bolt on pre-drilled hole and screw in vertically



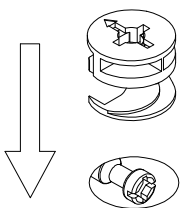
Shoulder is flushed (on the same level) with the panel.



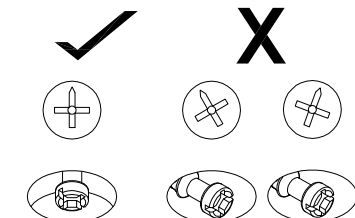
Shoulder is above the panel.

Place Cam-bolt on the designated pre-drilled holes on the panel. Use a Phillips Screwdriver to screw-in Cam-bolt vertically until shoulder is flushed (on the same level) with panel. Do not over-tighten or under-tighten.

INSERTING CAM-LOCK



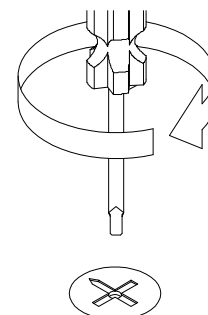
Insert Cam-lock with arrow align to Cam-bolt head



CORRECT

WRONG

TIGHTENING CAM-LOCK



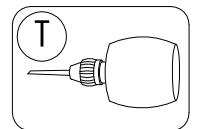
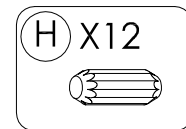
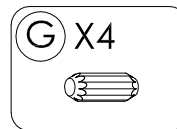
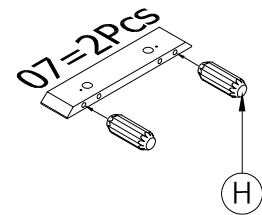
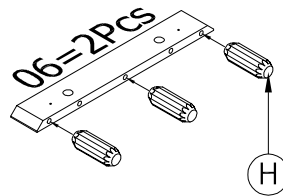
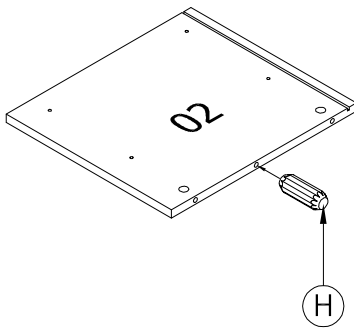
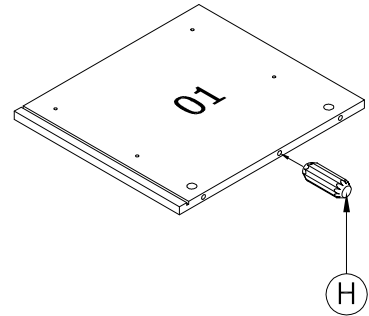
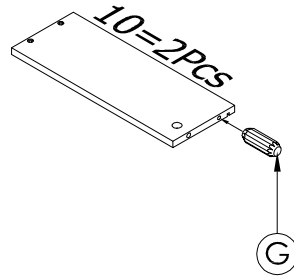
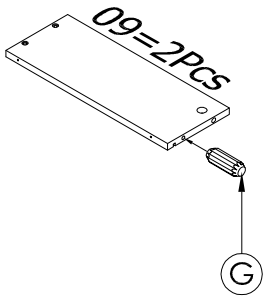
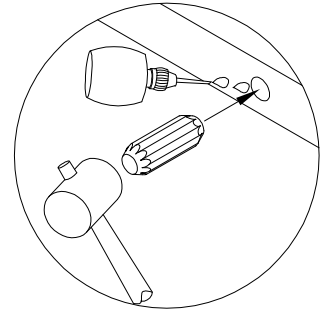
CAM-LOCK

Align the arrow on the Cam-lock to the Cam-bolt head and insert the Cam-lock. Ensure Cam-lock is fully inserted.

Use a Flat-head Screwdriver to turn Cam-lock clockwise so it locks onto the head of the Cam-bolt. Turn until it is snug (about one half a turn) -- over-tightening could damage Cam-lock or/and Cam-bolt.

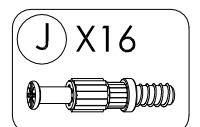
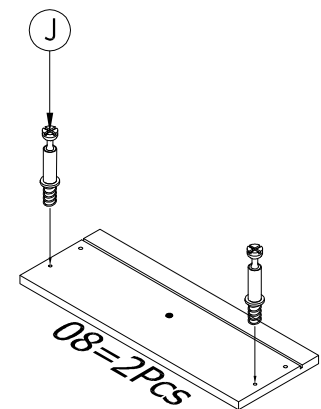
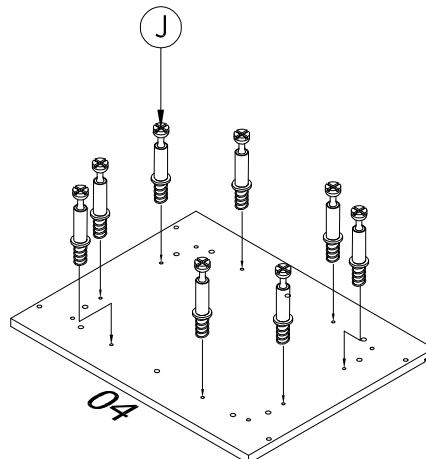
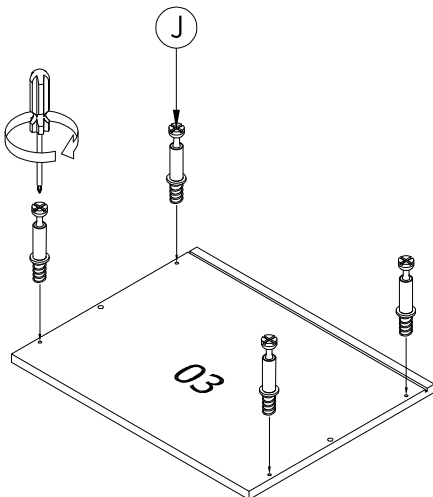
STEP 1

Install Wood Dowel (G & H) to the respective parts as shown. Apply Glue (T) to the designated holes before inserting (G) or (H). Use a mallet to tap in dowel if needed.

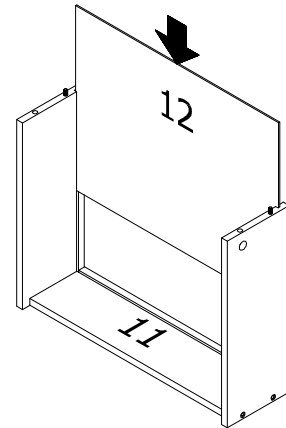
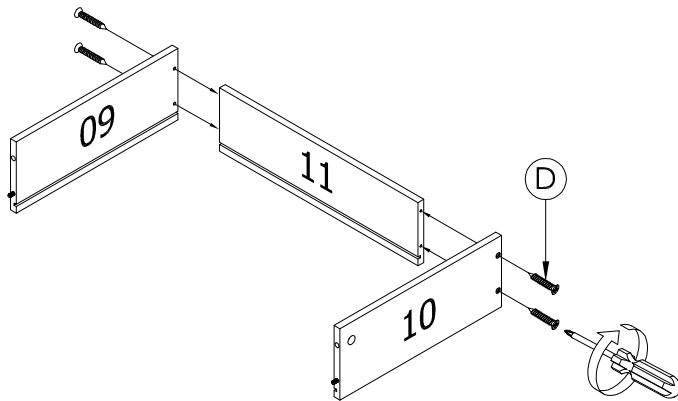


STEP 2

Lay the parts flat down on a material that does not scratch or damage the parts.
Screw in Cam-lock (J) into the designated holes. Refer to Page 4 for instructions to screw in and tighten Cam-bolts.

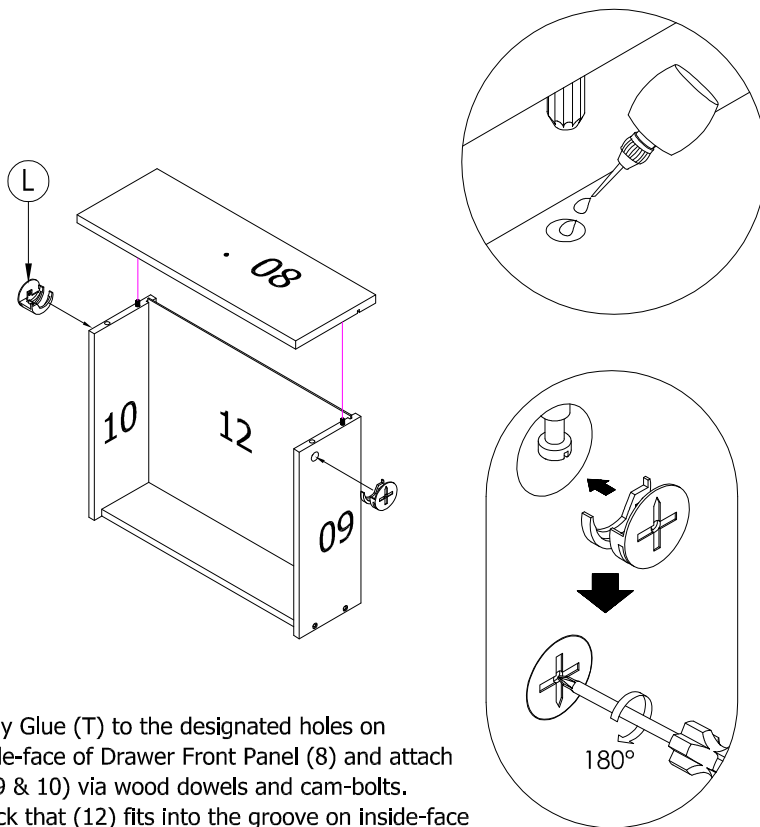


STEP 3



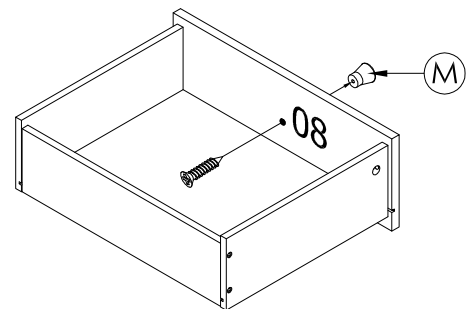
- a) Fasten Drawer Left & Right Panels (9 & 10) to Drawer Back Panel (11) as shown using Screw (D). Note the groove on each panel is at the bottom.
- b) Do not tighten screws completely until both screws are in place on each panel.

- c) Fit Drawer Back Panel (12) between drawer side panels via groove on side panels. Check that Back Panel fits into the groove on (11).



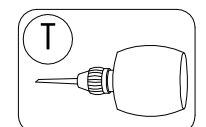
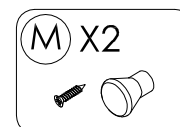
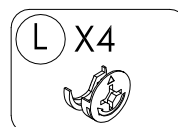
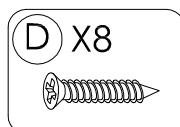
- d) Apply Glue (T) to the designated holes on inside-face of Drawer Front Panel (8) and attach to (9 & 10) via wood dowels and cam-bolts. Check that (12) fits into the groove on inside-face of (8).

Use Cam-lock (L) to fasten (8) . Refer to Page 4 for instructions on inserting and tightening Cam-lock.

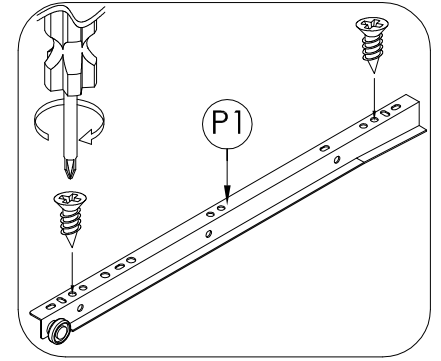
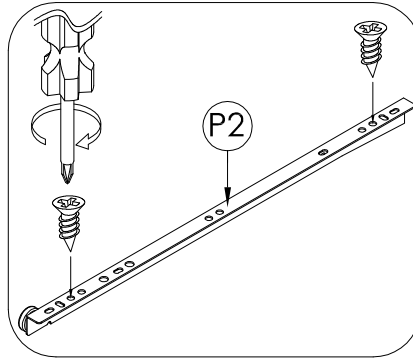
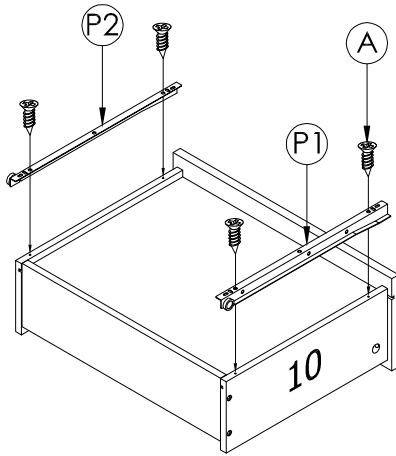


- e) Affix Knob Handle (M) to Drawer Front Panel with screw.

X2

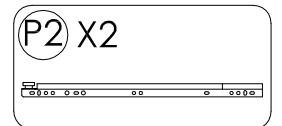
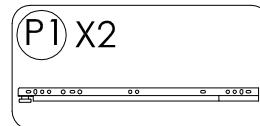
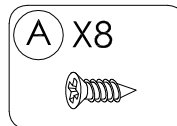


STEP 4

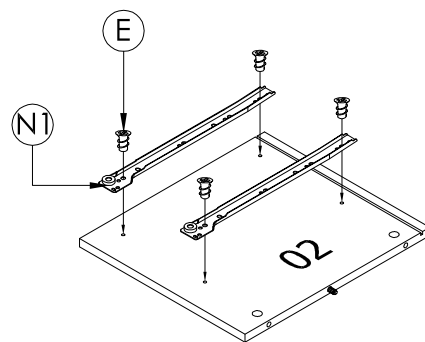
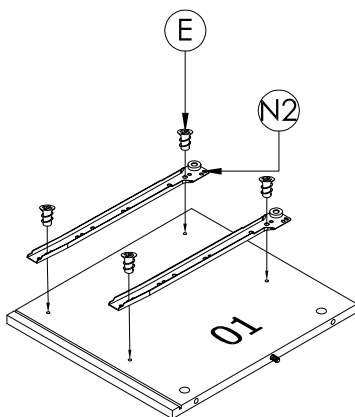
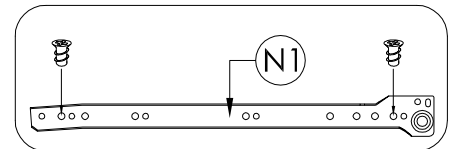
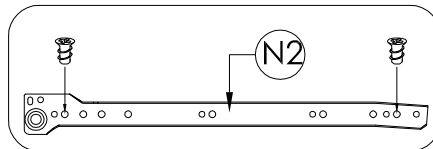


- a) Locate pilot holes on drawer side panels for fastening Drawer Slide (P1 & P2).
- b) Position P1 to align the third screw holes (from each end - refer to enlarged drawing above) to pilot holes on Drawer Right Panel (10).
- c) Use Screw (A) to fasten P1. Use a Phillips Screwdriver to drive (A). Do not tighten (C) completely until both screws are in place.
- d) Use the above steps to install P2 to Drawer Left Panel.

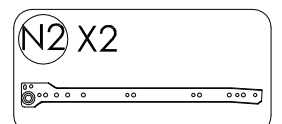
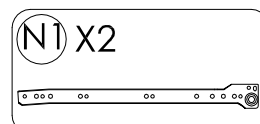
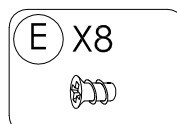
X2



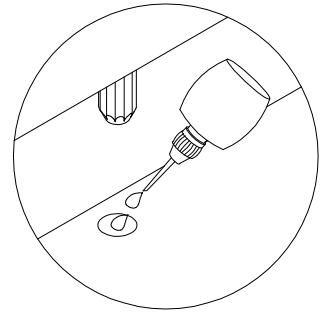
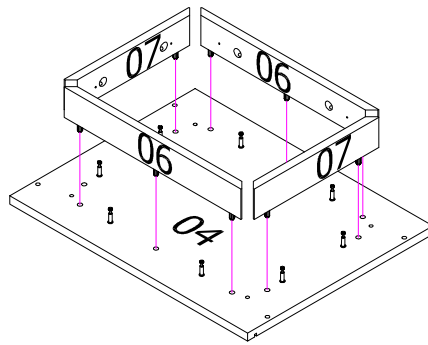
STEP 5



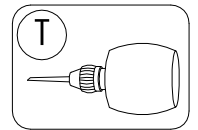
- a) Lay Left & Right Side Panels (1 & 2) from STEP 1 flat down on a material that does not scratch or damage the parts.
- b) Position N2 to align the the second screw holes (from each end - refer to enlarged drawing above) to pilot holes on (1).
- c) Use Screw (E) to fasten N2. Do not tighten E completely until both screws are in place.
- d) Use the above steps to install N1 to (2).



STEP 6

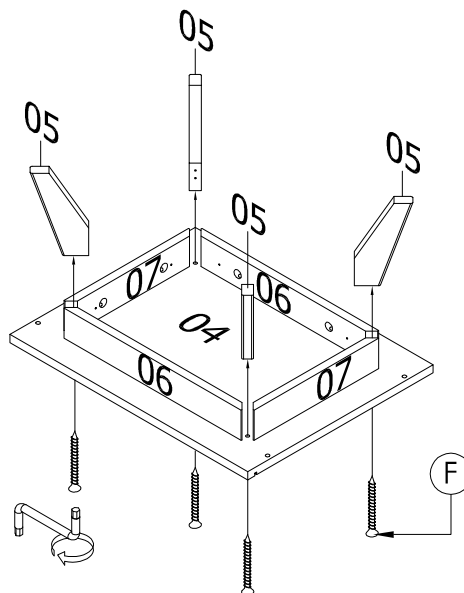


Apply Glue (T) to the holes between the Cam-bolts on Bottom Panel (4).
Next, align and fit wood dowels on Front, Rear, Left & Right Bottom Rail Panel (6 & 7) to the holes on Bottom Panel (4).

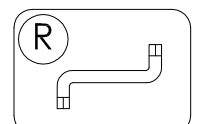
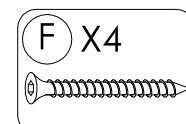


STEP 7

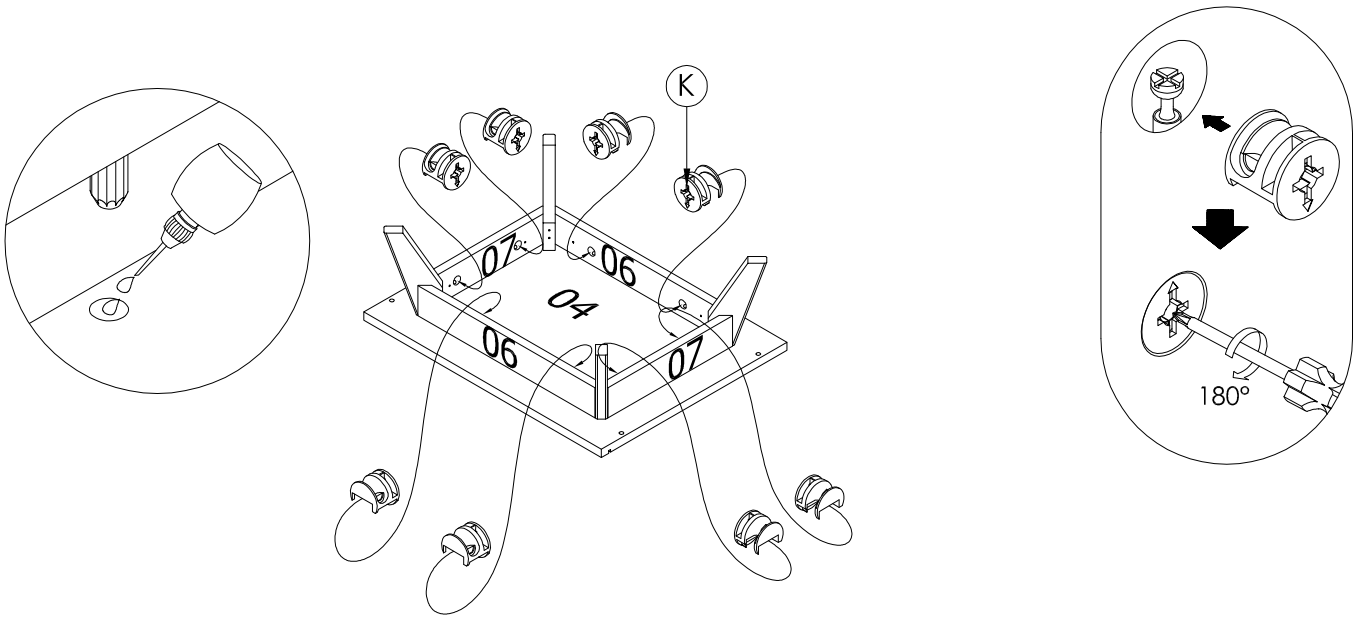
Note: For the purpose of illustration, Bottom Panel is positioned flat-down. It would be easier to install the leg with the help of another person holding and placing Bottom Panel to lie vertically along its long edge.



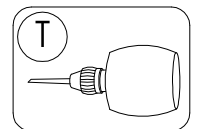
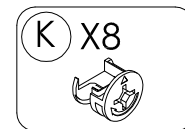
Fit Wooden Leg (5) between panels (6 & 7) and use screw (F) to fasten Wooden Leg to Bottom Panel (4).



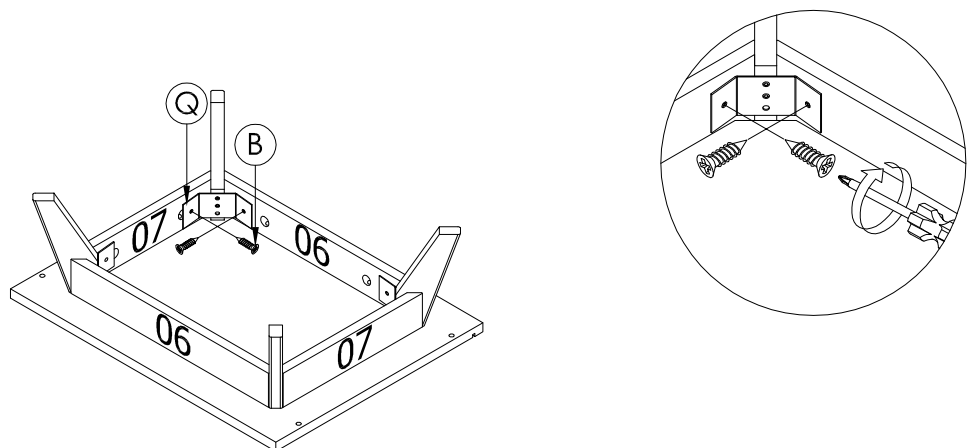
STEP 8



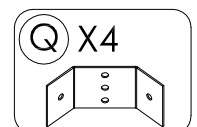
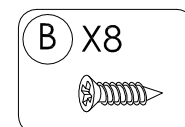
On Front, Rear, Left & Right Bottom Rail Panel (6 & 7), insert Cam-locks (K) and turn clock-wise to lock the Cam-bolts.



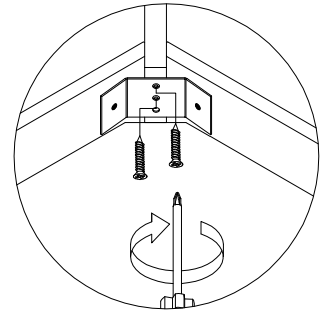
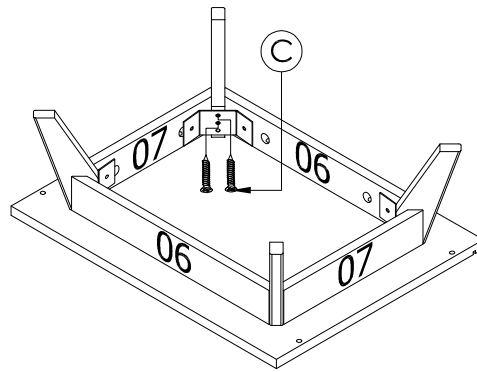
STEP 9



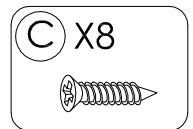
Use Screw (B) to fasten Corner Bracket (Q) to Bottom Rail Panel (6 & 7). Do not tighten B completely at this time.



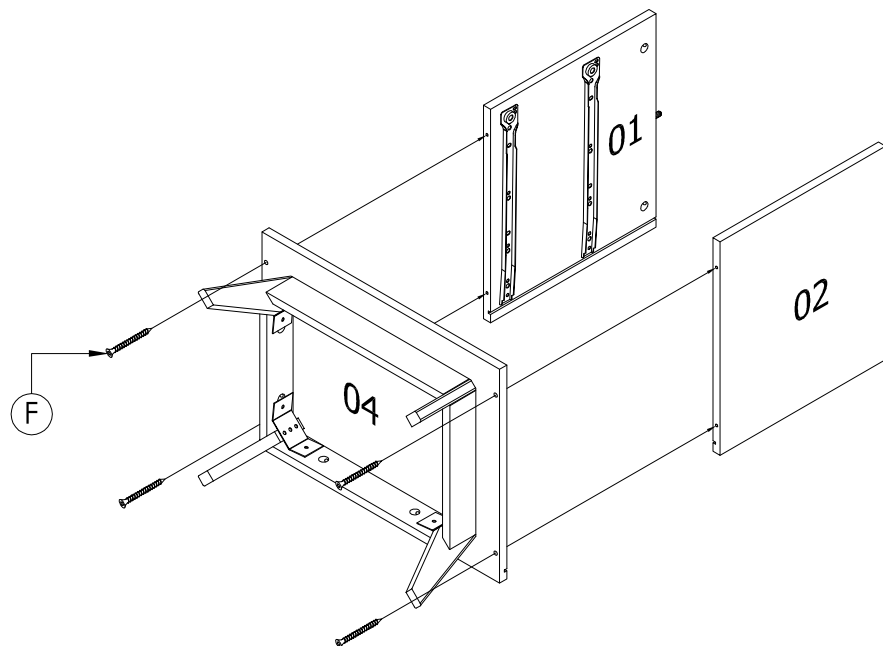
STEP 10



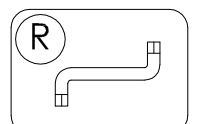
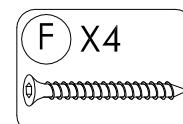
Use Screw (C) to fasten Corner Bracket (Q) to Leg.
Do not tighten C completely until both screws are in place.
Next, tighten completely all the Screws (B) in STEP 8 at this time.



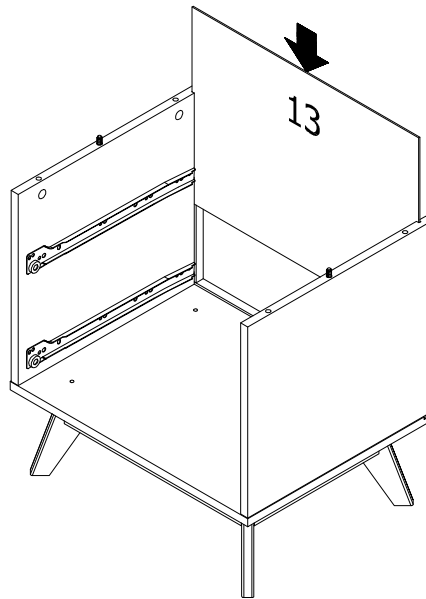
STEP 11



Use Screw (F) to fasten Side Panels (1 & 2) to Bottom Panel. Use Allen Key (R) to drive F.
Do not tighten F completely until both screws are in place.

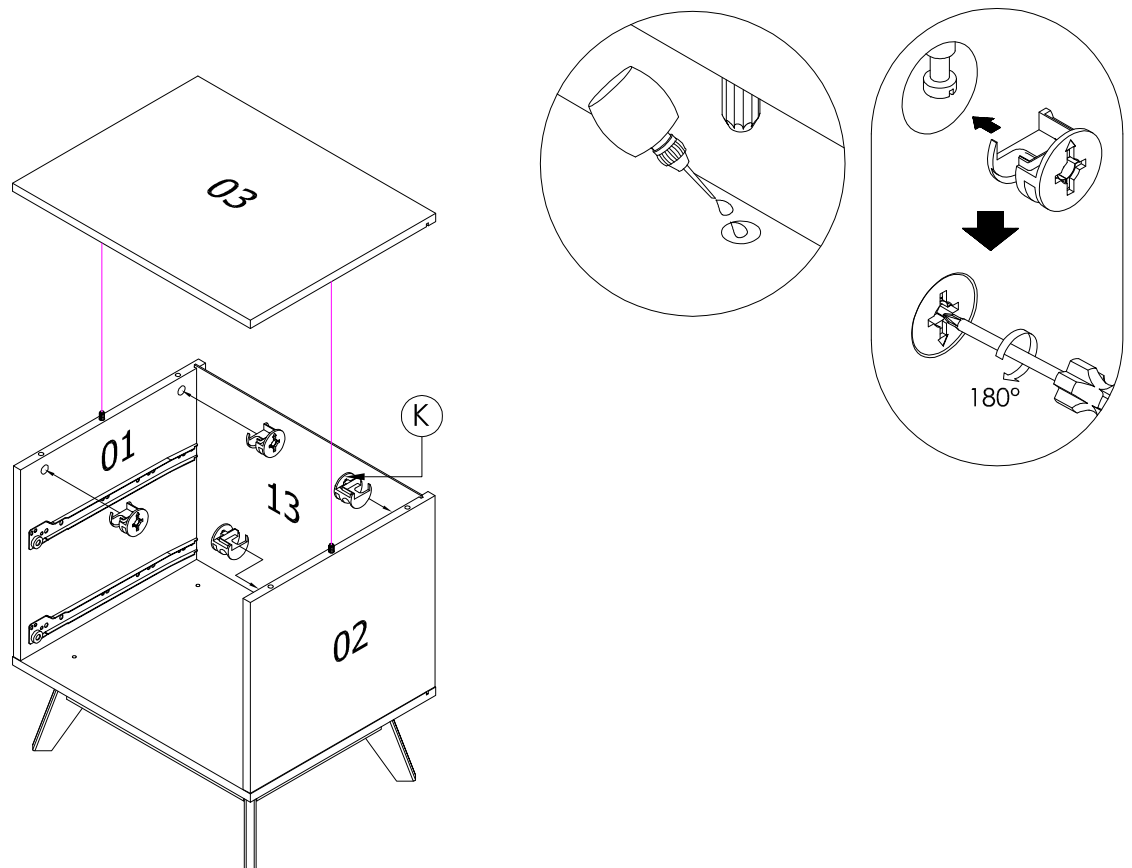


STEP 12



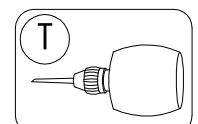
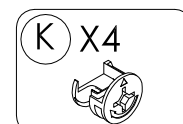
Fit Back Panel (13) via groove on side and bottom panel.

STEP 13

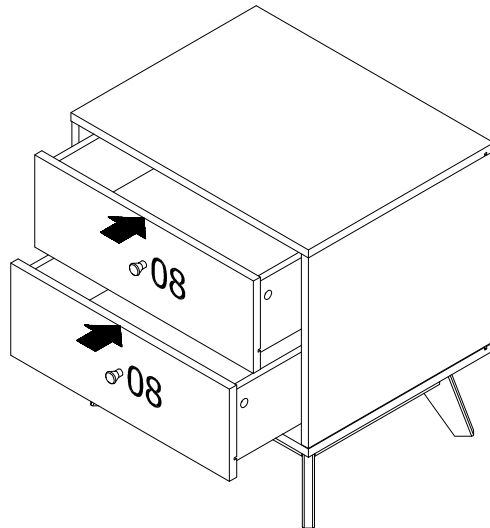


Apply Glue (T) to the middle hole on bottom-side of Top Panel (3) and attach to (1 & 2) via wood dowel and cam-bolts. Check that (13) fits into the groove on bottom-side of (3).

Use Cam-lock (K) to fasten (3).



STEP 14

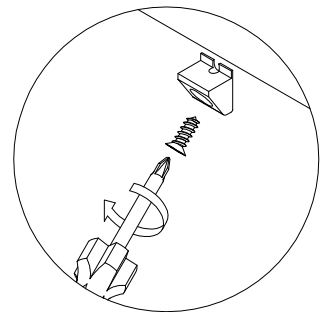
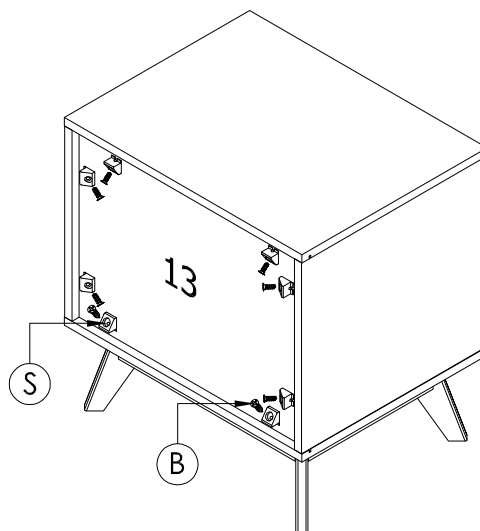


Insert the drawers.

To insert drawer, align and position rollers on the Drawer Slide P1 & P2 (fastened to the drawer side panels) above the rollers on the Drawer Slide N1 & N2 (installed on the Side Panels.)

Next, lift the Back Panel end of the drawer slightly upward to slide the rollers on the P1 & P2 into the tracks on N1 & N2 and then push in the drawer gently.

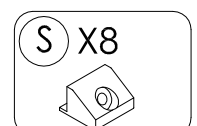
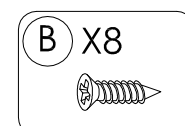
STEP 15



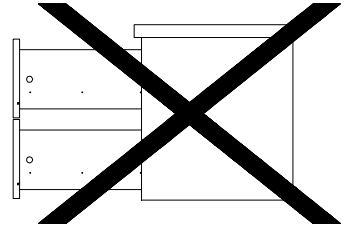
Insert Backply Stopper (S) to fit into the groove and against Back Panel (13) at each corner as shown. Fasten stopper using Screw (B).

The assembly of the night stand is complete.

The assembly of the night stand is complete.



STEP 16



CAUTION:
PLEASE DO NOT FULLY
OPEN DRAWERS
SIMULTANEOUSLY AS IT
WILL CAUSE THE DRAWER
CHEST TO FALL DOWN.

