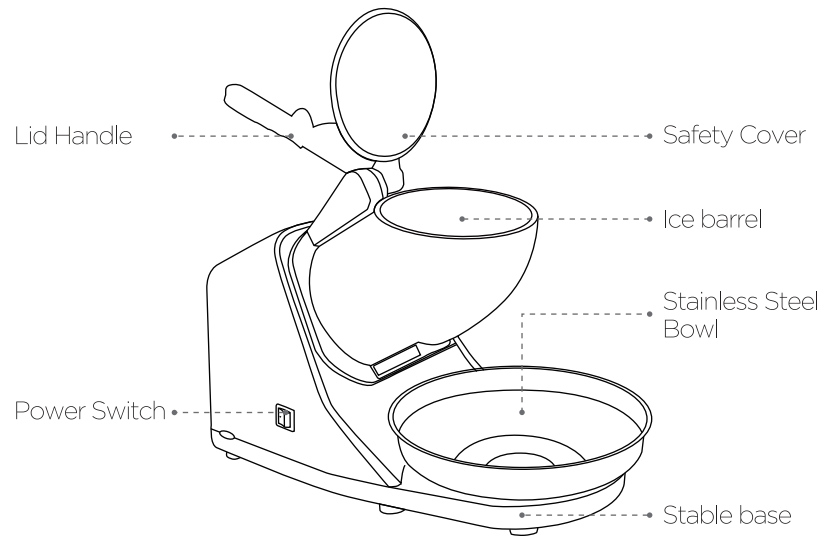


TECHNICAL SPECIFICATIONS:

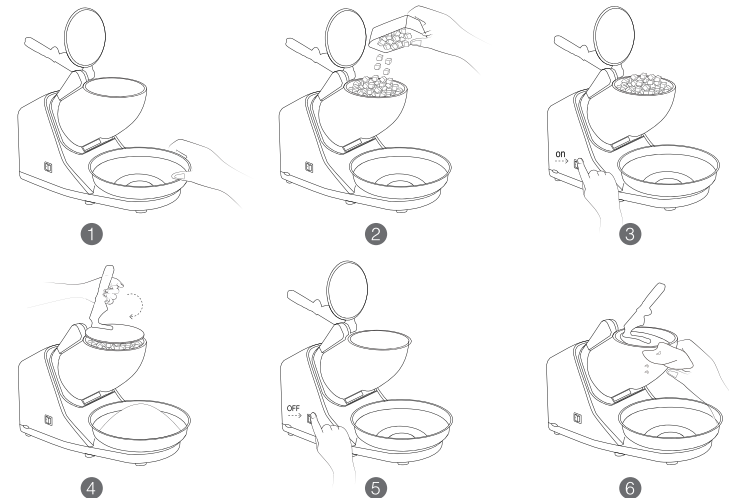
Voltage: 110V-120V
 Power: 300W
 Frequency: 50Hz-60Hz
 Product Weight: 11lbs
 RPM: 2000rpm
 Shaving Capacity: 143lbs/hr

PRODUCTS FEATURES:



OPERATING YOUR ICE SHAVER:

1. Lift the hopper lid's handle BEFORE plugging in. Make sure your outlet is suitable for the ice shaver and the ground wire is reliable. The shaver operates between 110V and 120V. Place bowl under shaver to catch the ice.
2. Pour ice cubes in hopper. Do not allow ice cubes to protrude from the hopper's rim.
3. Flip power switch to "On" position.
4. Use constant pressure to press the ice cubes into the hopper with the lid's handle for the blade to begin shaving ice. When hopper is empty, lift handle immediately.
5. Push the power switch to the "Off" position and unplug the ice crusher.
6. Wipe the ice crusher dry for your next use to prevent any contamination during storage. Store in a dry place.



CLEANING & MAINTENANCE:

1. Make sure to dry your ice machine after use and before storage to prevent any mold or bacteria from forming.
2. Store in a dry place, preferably out of duct's reach.
3. Before use, it is advisable to clean and wipe the machine down gently in case of dust or other contaminants' entry.

WARNINGS:

1. DO NOT allow fingers to enter the shaving chamber. Do not attempt to operate for any purpose other than to shave ice.
2. Please use caution with the ice shaver. Do not submerge in water or put electric parts in contact with liquids outside of the normal course of operation.
3. When operating in the proximity of children, be extra careful. The ice crusher is not designed for use by children.
4. If the outlet of the ice shaver becomes jammed with ice, the motor may overheat and burn out. Make sure you observe a steady flow of shaved ice coming out of the outlet during operation.
5. VIVOHOME is not responsible for improper use. Actions of the owner are the owner's risk to bear.

NOTE:

To continuously improve its products, VIVOHOME reserves the right to modify this information without prior notification. Please contact customer service via support@3qmart.com with any questions, comments, or concerns. Thank you for using VIVOHOME products in your home!

VIVOHOME

Ice Crusher Owner Manual (Quick start guide)

