



Assembly Instructions

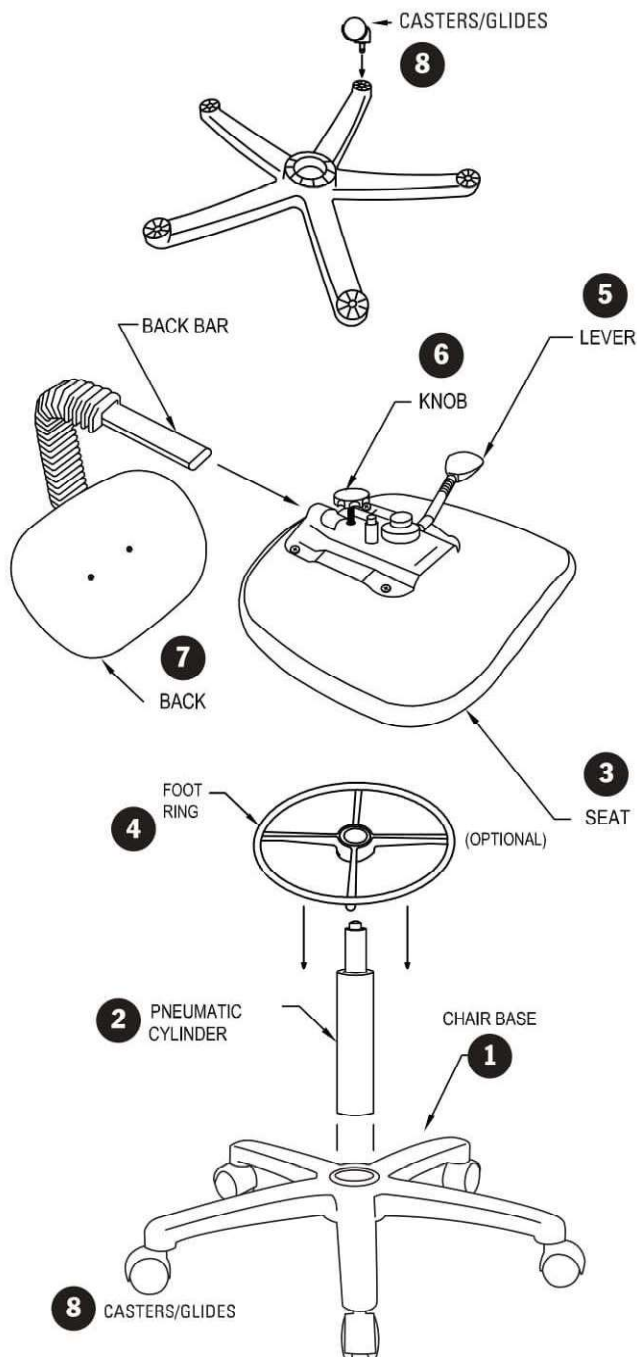


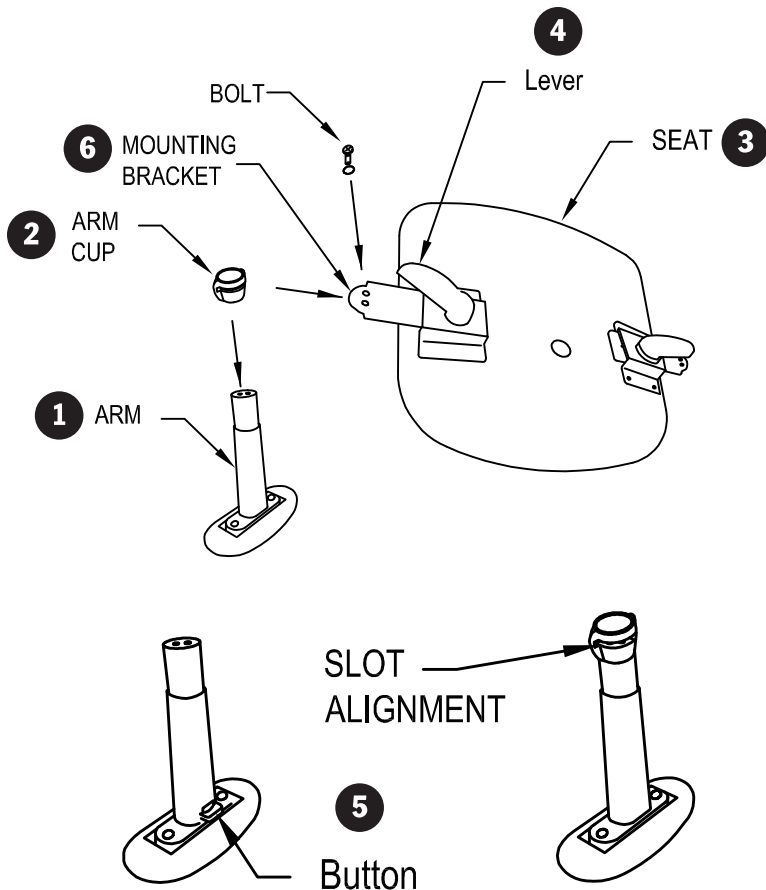
figure 1

- 1) Remove base, back/back bar, pneumatic cylinder, casters/glides, and seat from box.
- 2) Put casters or glides on base. Use pressure to push in (8).
- 3) Slide **optional** foot ring (4) over pneumatic cylinder from bottom (2) about halfway up the cylinder
- 4) Place base with legs on hard level surface (1).
- 5) Insert pneumatic cylinder as shown in (2) into center hole of base and lightly push down. Adjust foot ring to desired height.
- 6) Turn seat upside down to assemble back. It may be helpful to lay the seat on the edge of a table to slide the back bar into position.
- 7) Loosen knob (6) counter clockwise slightly to allow the back bar to slide into the control mechanism on the seat. Push in until you hear it click. Then tighten by turning knob (6) clockwise, do not overtighten.
- 8) Turn seat and back over and align the center hole on the bottom of the seat with the top of the pneumatic cylinder and lightly push down. With the weight of your body, carefully sit on the seat. This will press the base, pneumatic cylinder, and seat together.
- 9) To raise the height of your chair simply pull up on lever (5) while not seated.
- 10) To lower the height of your chair, while seated on chair, pull up on lever (5).

In/Out and Up/Down back adjustments not available on all options.



Assembly Instructions



- 1) Remove the two bolts from the (1) arm.
- 2) Align the open slot of the (2) arm cup so that it is even with the bottom of the cylinder of (1) arm.
- 3) With the (3) seat upside down, align the slot of the (2) arm cup with the (6) mounting bracket. Attach with the two bolts. (Note: Make sure that the (5) button is facing away from the (3) seat.) Repeat steps for opposite side.
- 4) You can adjust the arms in and out by loosening (4) lever and sliding the arm in or out. When adjusted to desired location, tighten (4) lever.
- 5) You can adjust the arms up or down by pulling up on (5) button, adjust to desired height and then release (5) button.

Lab Grade Seating Cleaning Protocol

1. *Dry-clean surfaces with a clean cloth to remove loose dirt/dust/organic material*
2. *Wet-clean surfaces with warm water and a mild detergent, scrubbing where necessary to remove stubborn dirt and contamination*
3. *Rinse surfaces with clean water and cloth – **do not use high pressure spray equipment** as this may force liquids into gaps and crevices where chair parts meet*
4. *Manually dry, or allow the area to dry completely*
5. *Apply disinfectant/cleaning solution at the recommended concentration for the appropriate contact time. **Do not apply solution at a rate higher than the recommended concentration and do not allow to contact for longer than the recommended contact time. Doing so may result in degradation of upholstery, plastic and rubber parts, or create conditions that will lead to corrosion of metal parts. These outcomes will result in early failure of chair parts and may negate the manufacturer's warranty.***
6. *Wet-clean surfaces with warm water and a mild detergent which is extremely important for surfaces that are susceptible to damage from the disinfectant/cleaner chemicals*
7. *Rinse the chair again with clean water/cloth*
8. *Manually dry, or allow the area to dry completely*
9. *In high risk areas, repeat steps 5 through 8 above with a wide spectrum disinfectant*

NOTES:

- *For proper cleaning, start the cleaning protocol from the top of the chair/stool and proceed to the bottom to assure any cleaning solutions and dirt/contamination are removed should they drip or fall to lower parts of the chair*
- ***Do not clean oil/grease from the shaft of height-adjustable gas springs or pneumatic pistons as this will interfere with their ability to work over time, and result in shortened lifetime or failure***

This recommended cleaning protocol should in no way conflict with any other stated cleaning process as defined by governmental or corporate regulations. It is, however, a recommended process to assure long-term wear of laboratory chairs and stools in these challenging environments.