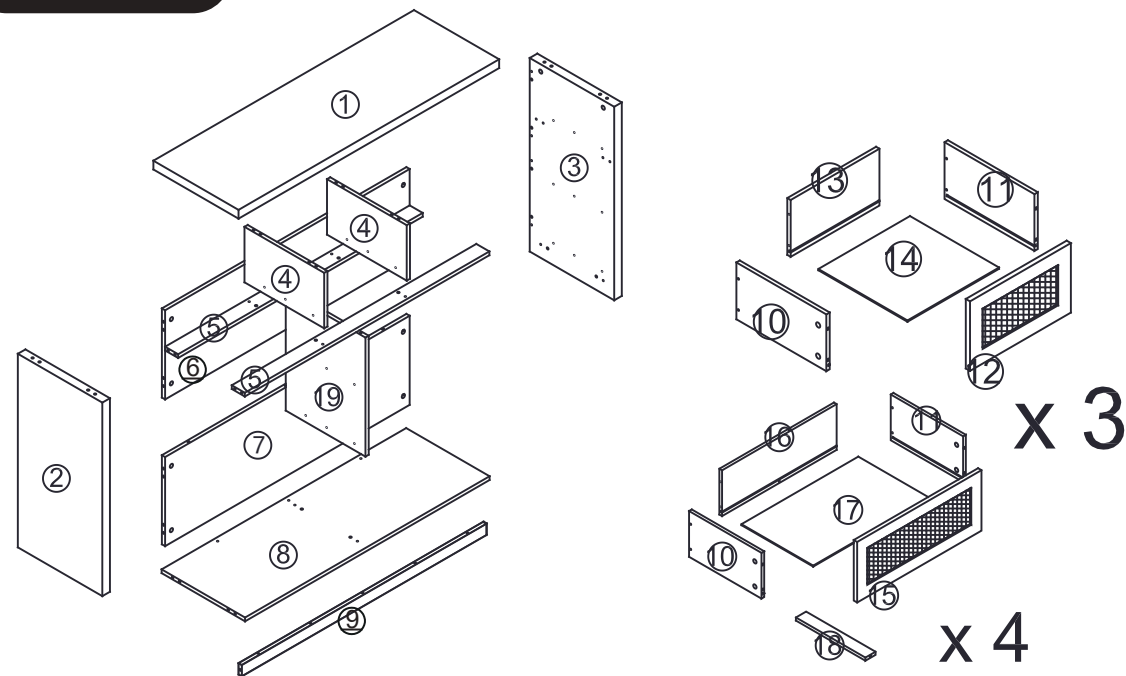
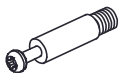






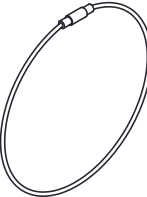



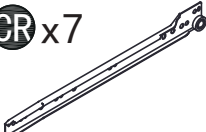
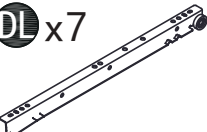
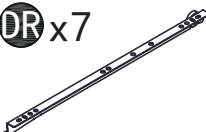


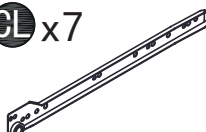


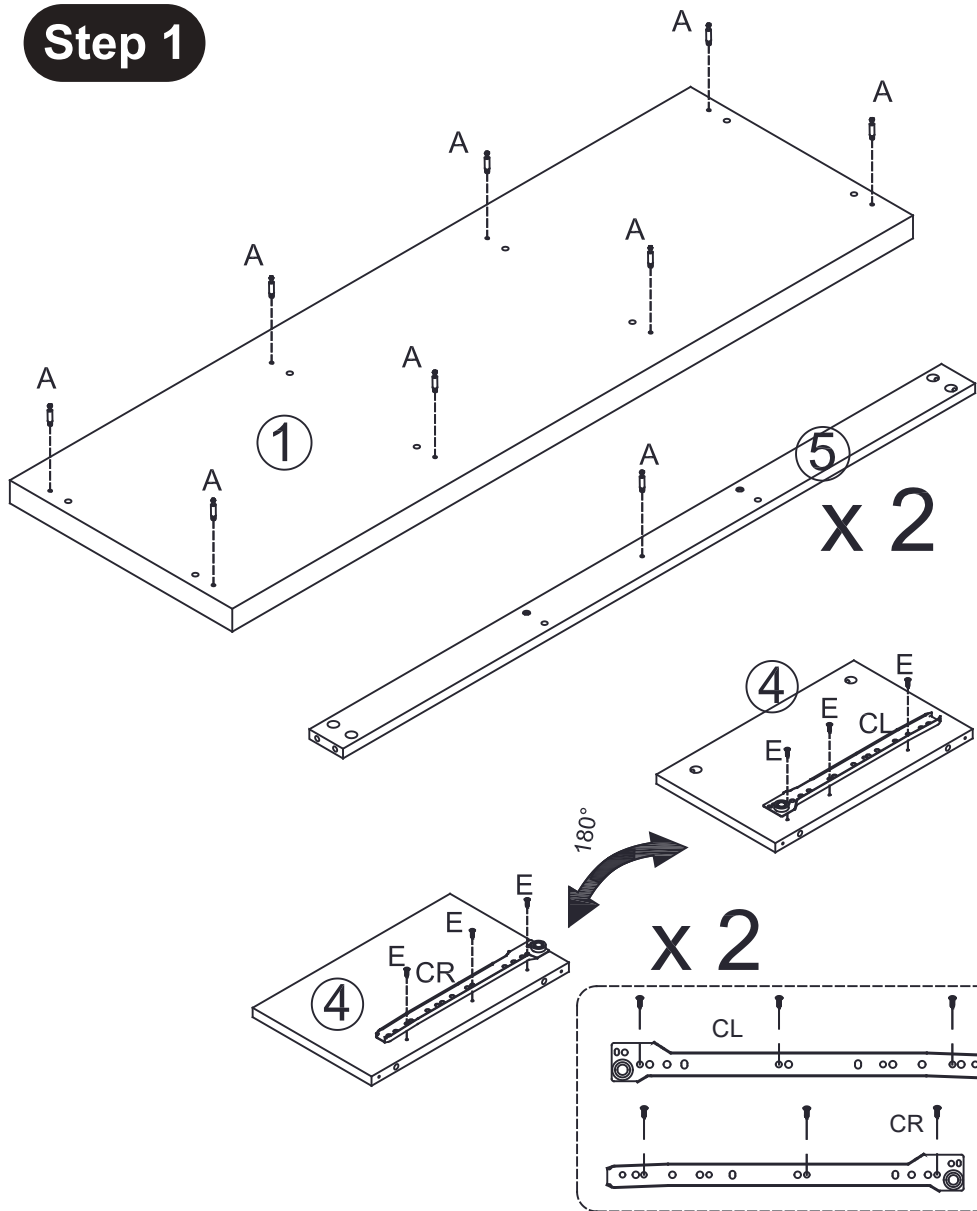
Parts list



Hardware list

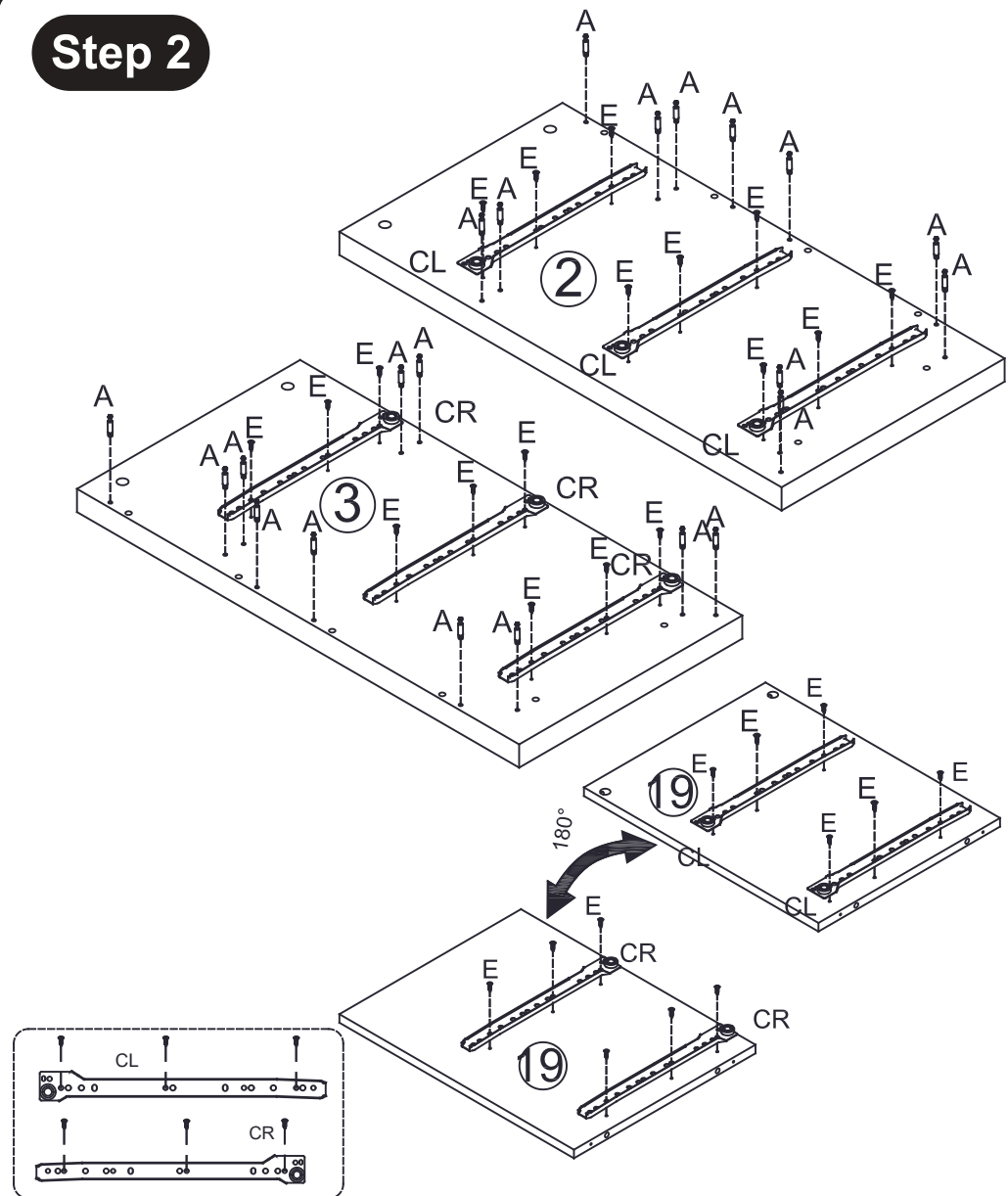
A x67 	B x67 	C x31 $\phi 8*30\text{MM}$ 	D x41 $\phi 4*35\text{MM}$ 	E x98 $\phi 3*12\text{MM}$ 
F x7 	G x67 	H x2    	CR x7 	
DL x7 	DR x7 	 	CL x7 	

Step 1



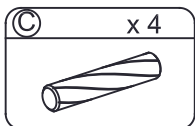
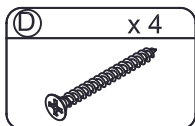
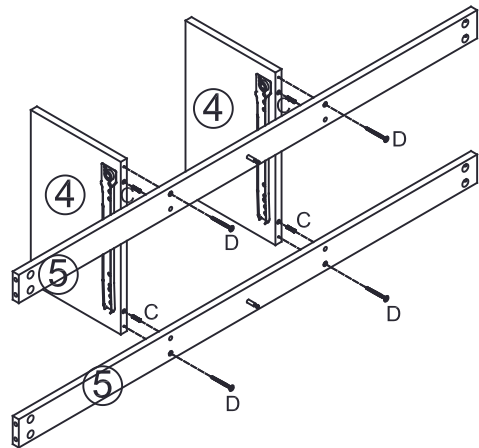
- (A) x 10
- (CL) x 2
- (CR) x 2
- (E) x 12

Step 2

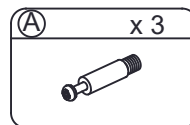
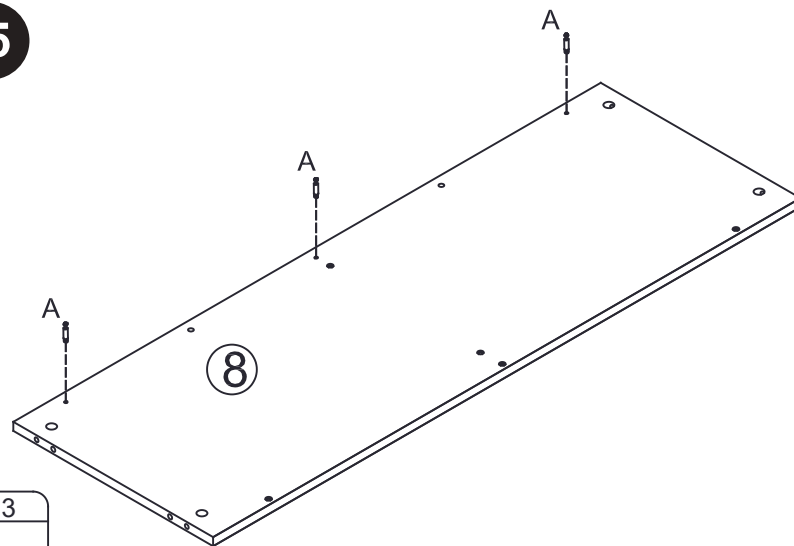


- (A) x 22
- (CL) x 5
- (CR) x 5
- (E) x 30

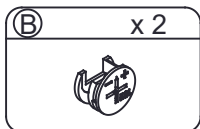
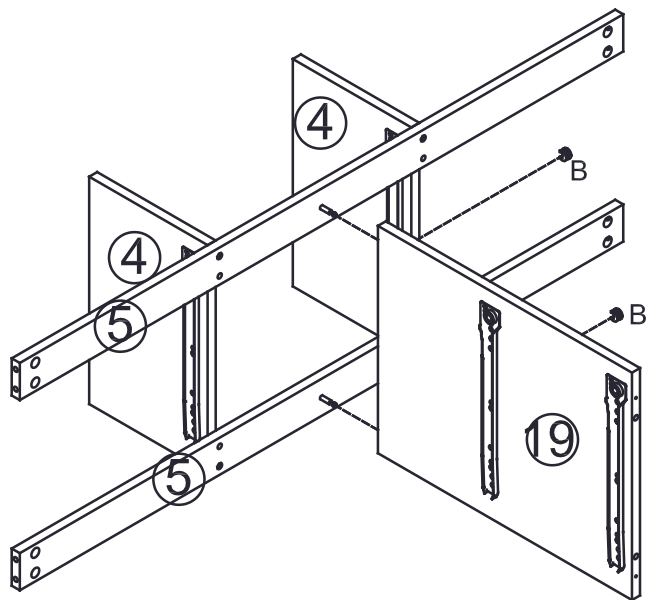
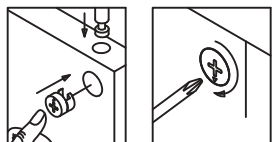
Step 3



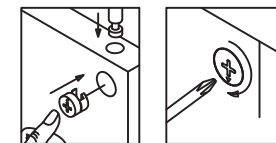
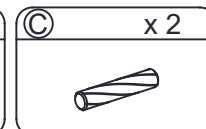
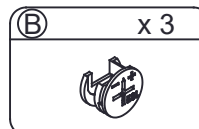
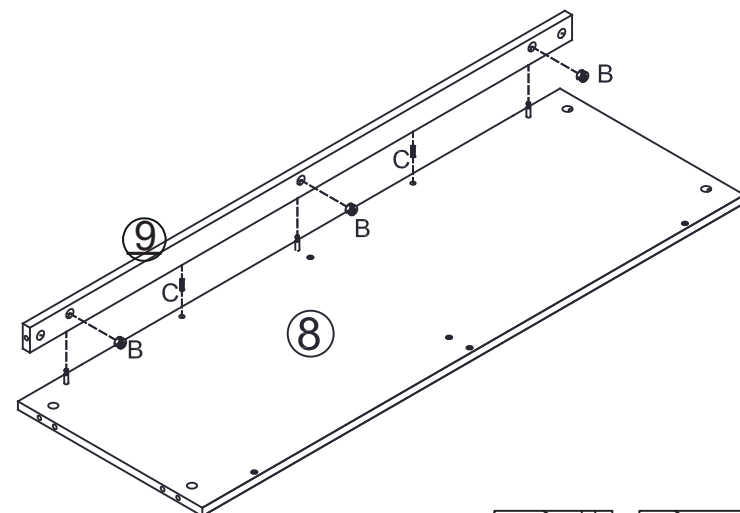
Step 5



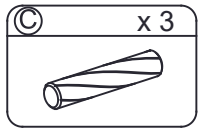
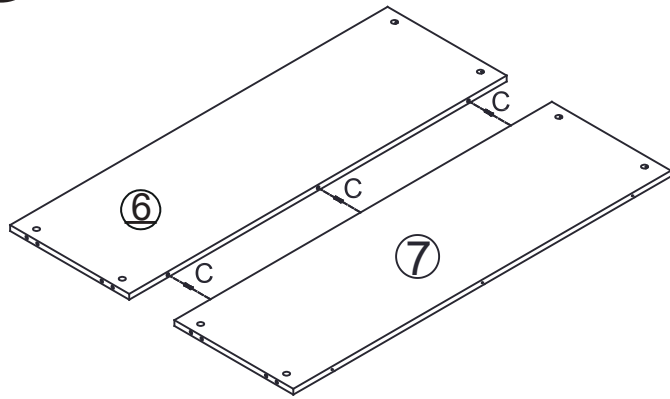
Step 4



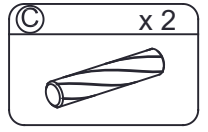
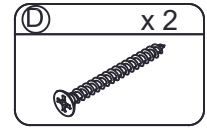
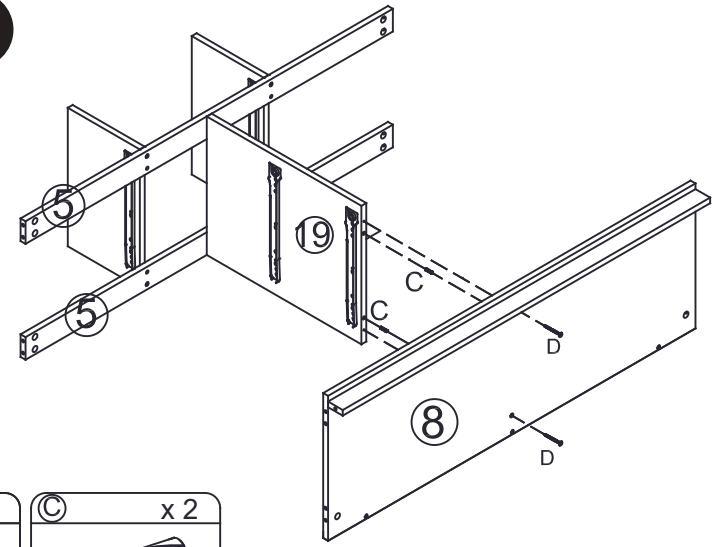
Step 6



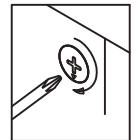
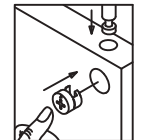
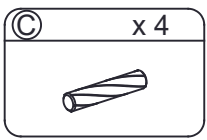
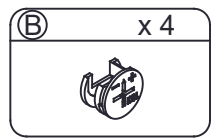
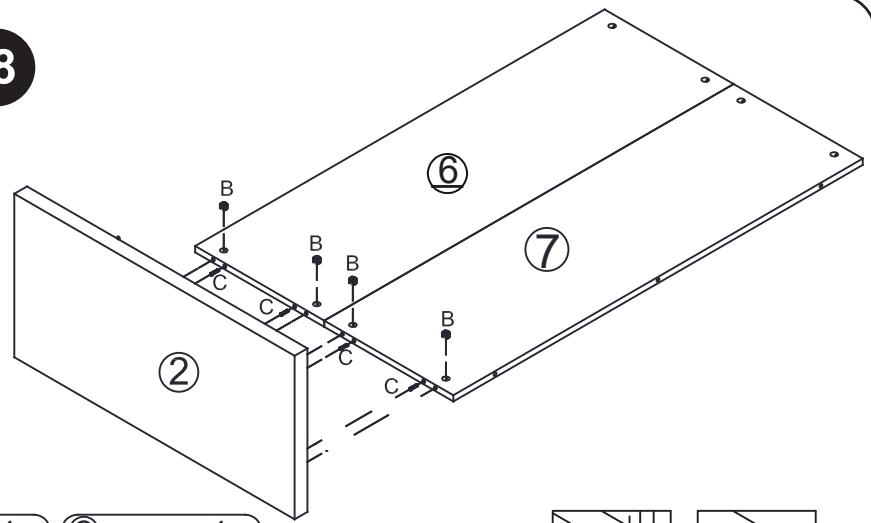
Step 7



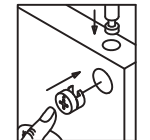
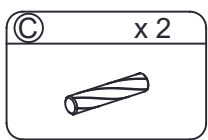
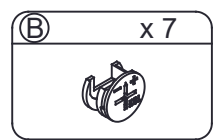
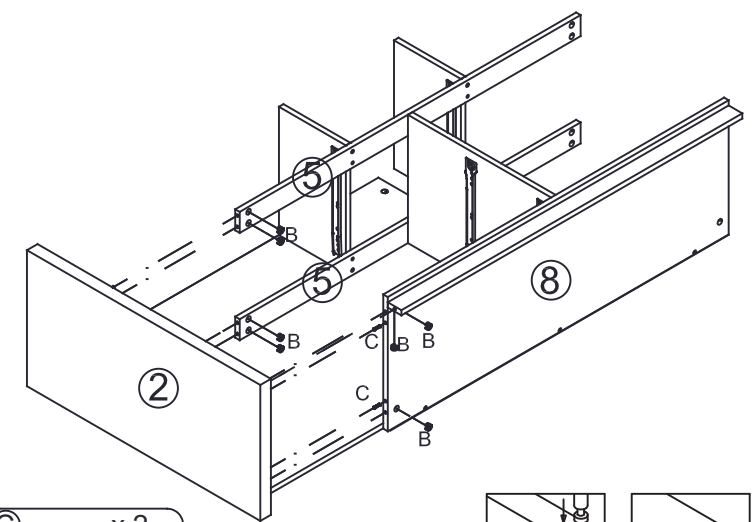
Step 9



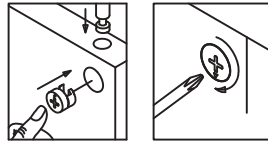
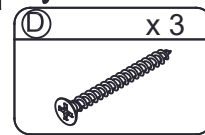
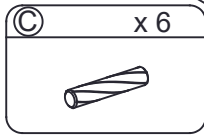
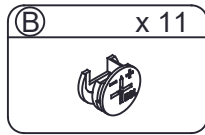
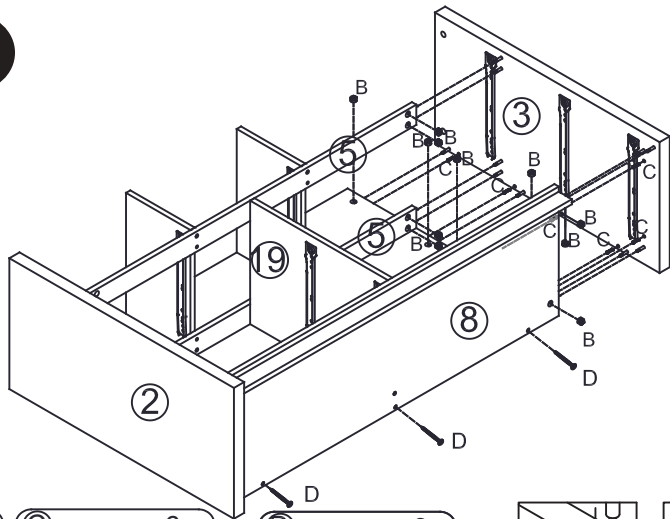
Step 8



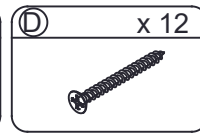
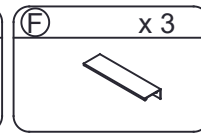
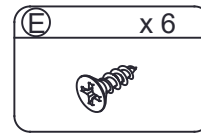
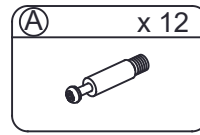
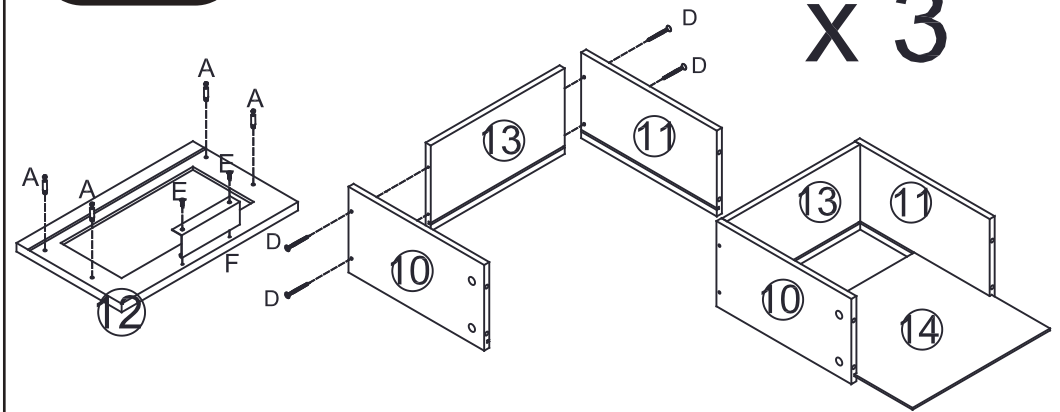
Step 10



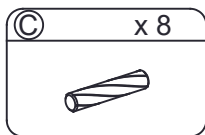
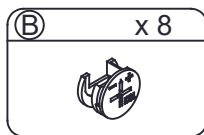
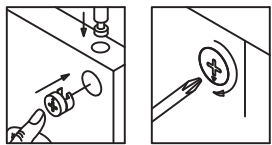
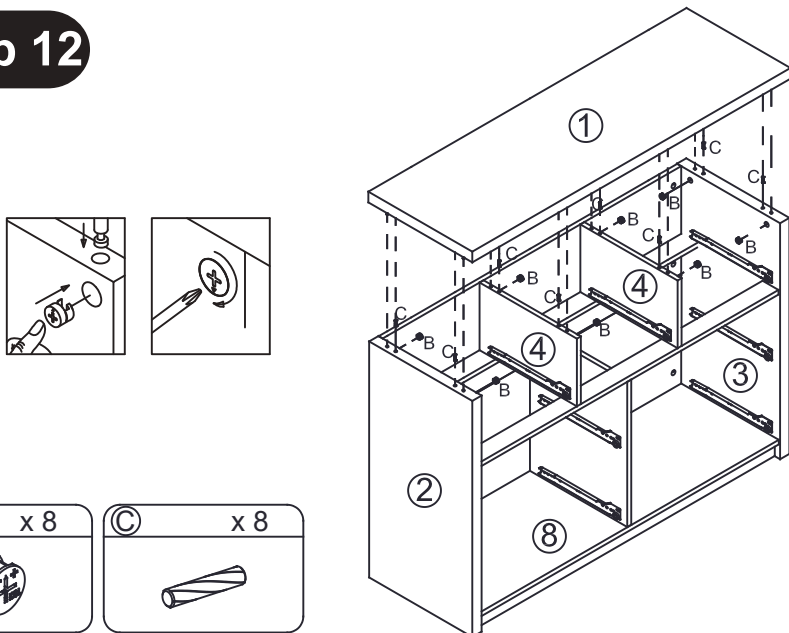
Step 11



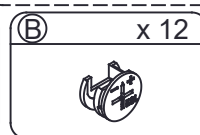
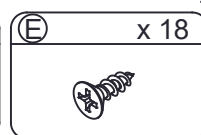
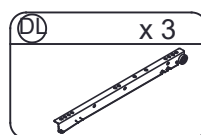
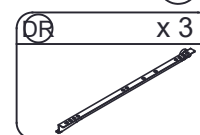
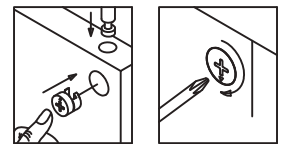
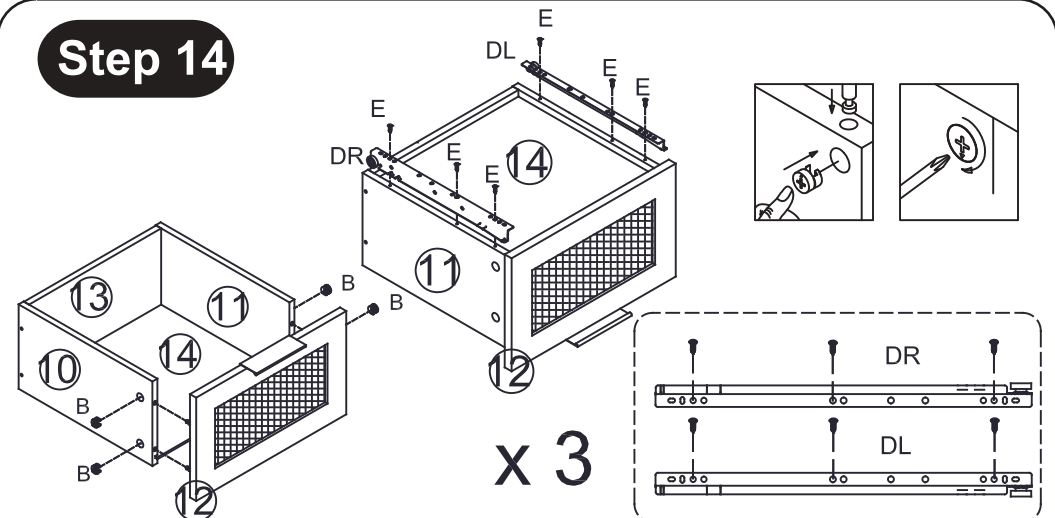
Step 13



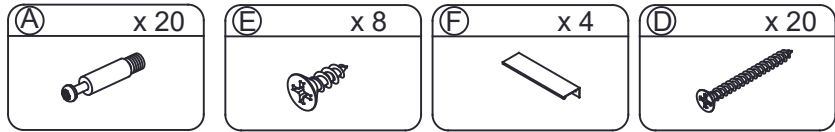
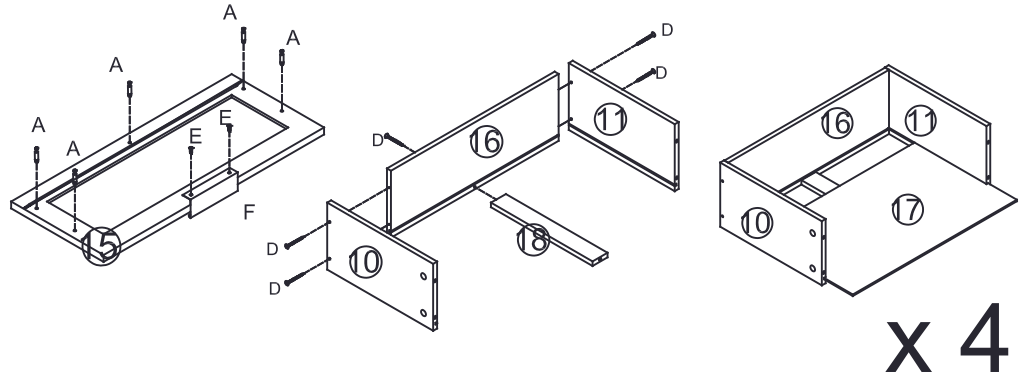
Step 12



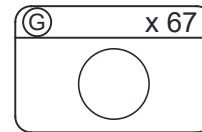
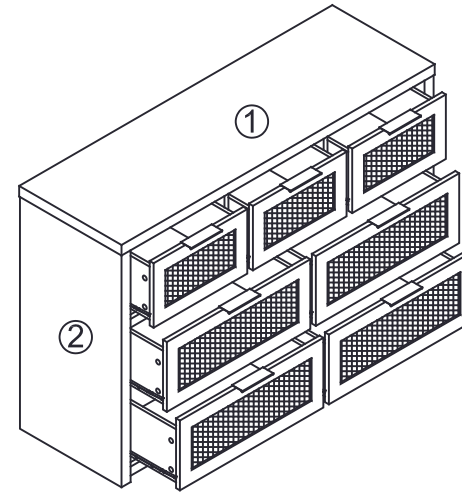
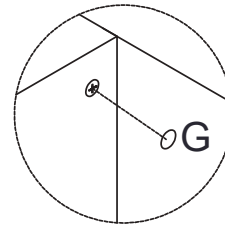
Step 14



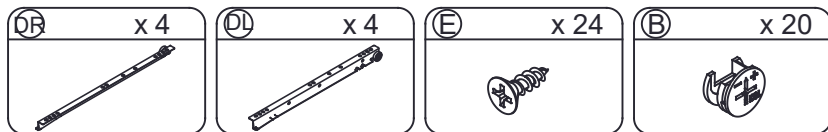
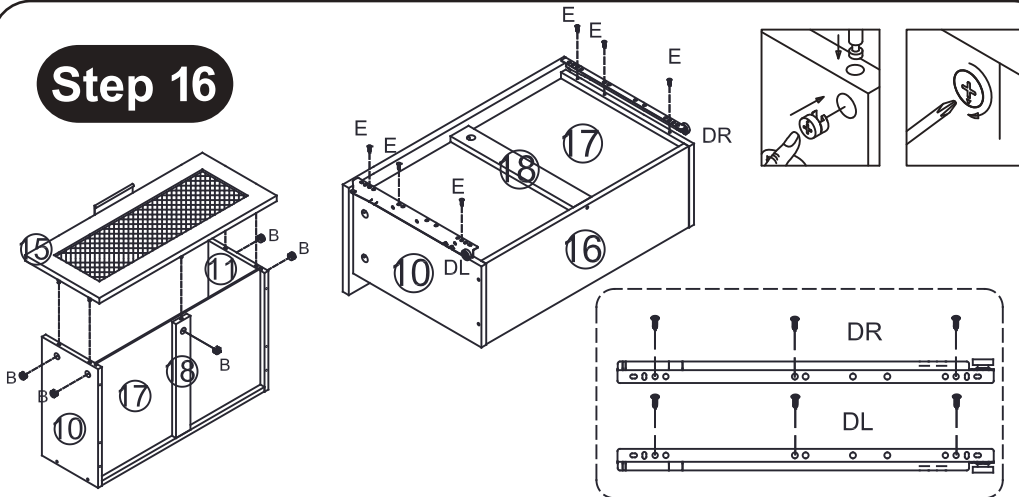
Step 15



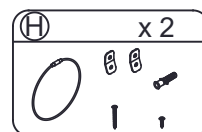
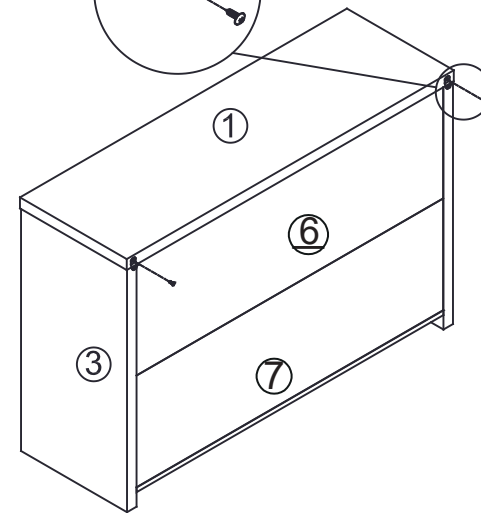
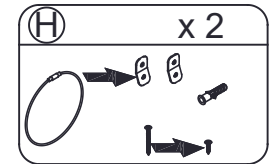
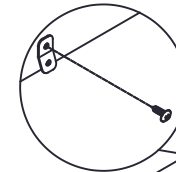
Step 17



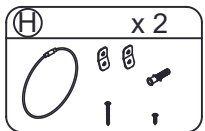
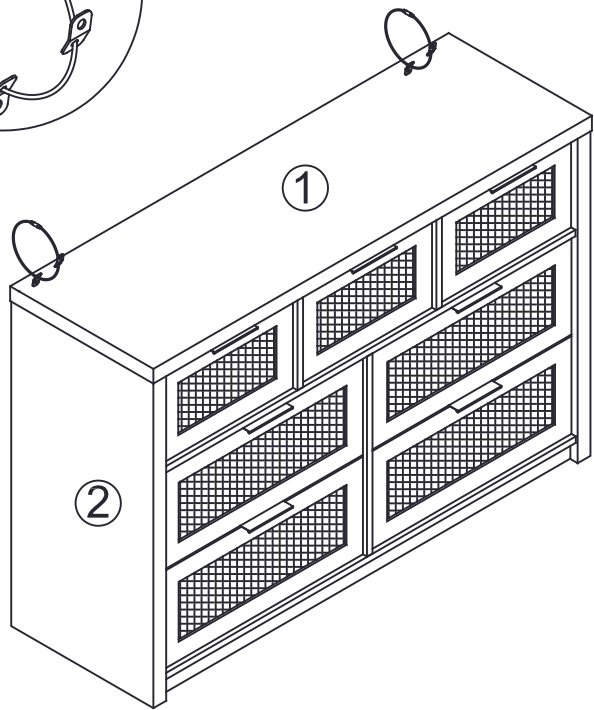
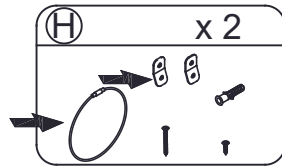
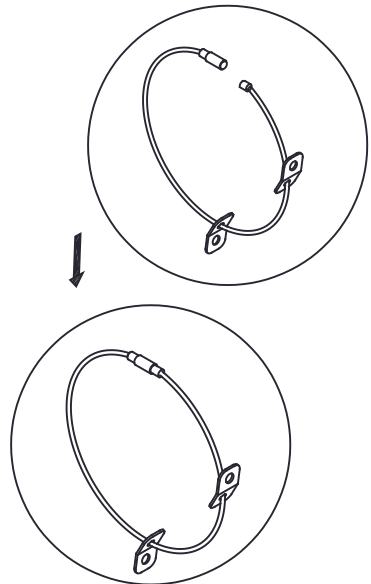
Step 16



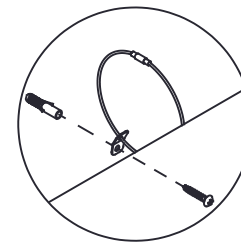
Step 18



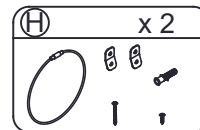
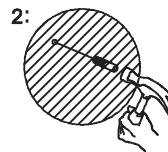
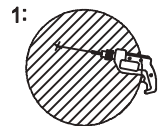
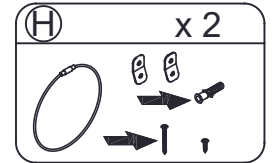
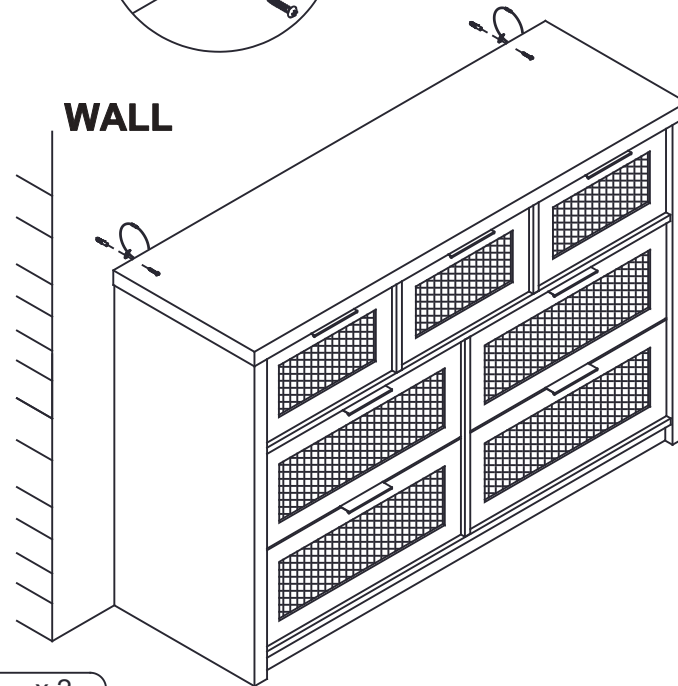
Step 19



Step 20



WALL





WARNING



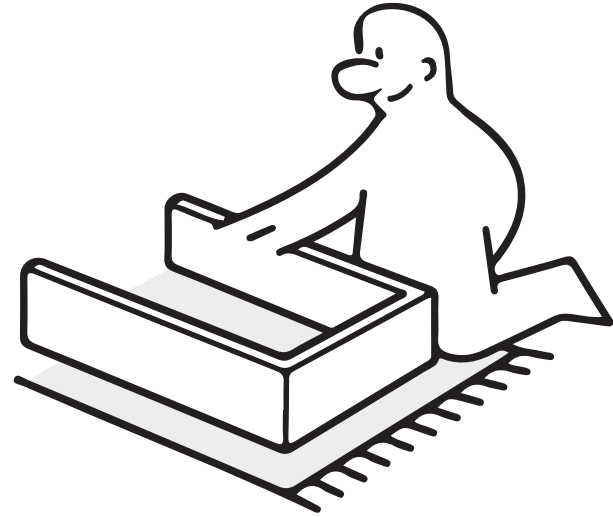
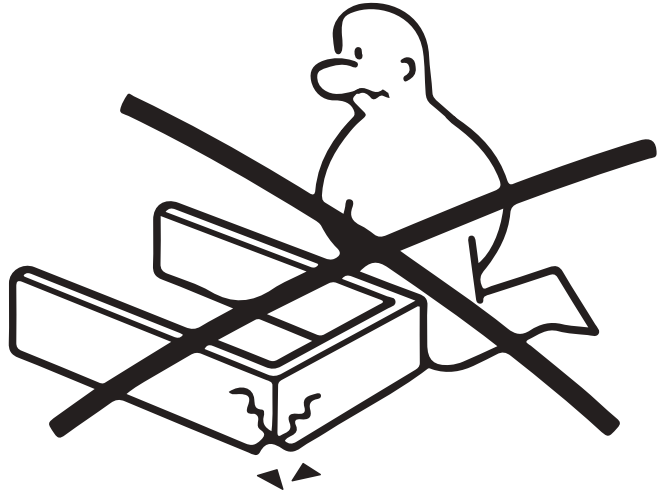
Children have died from furniture tipover. To reduce the risk of furniture tipover:

- **ALWAYS** install Anti-tip device provided.
- **NEVER** put a TV on this product.
- **NEVER** allow children to stand, climb or hang on drawers, doors, or shelves.
- **NEVER** open more than one drawer at a time.
- **Place** heaviest items in the lowest drawers.



*This is a permanent label.
Do not remove!*

※ **Stay Scratch-Free: Safeguard Your Furniture by Assembling on Carpet.**



※ **Stuck in Assembly Limbo? Contact Our Support Team for Quick Solutions!**

