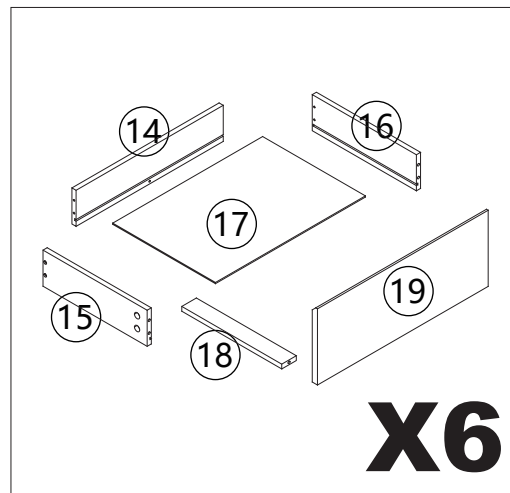
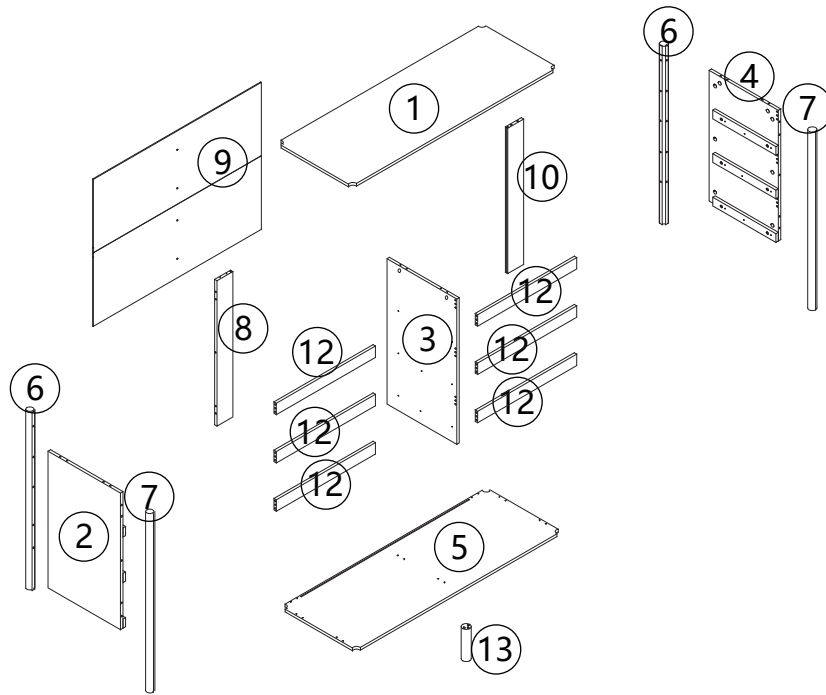









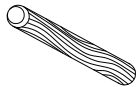
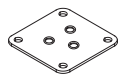










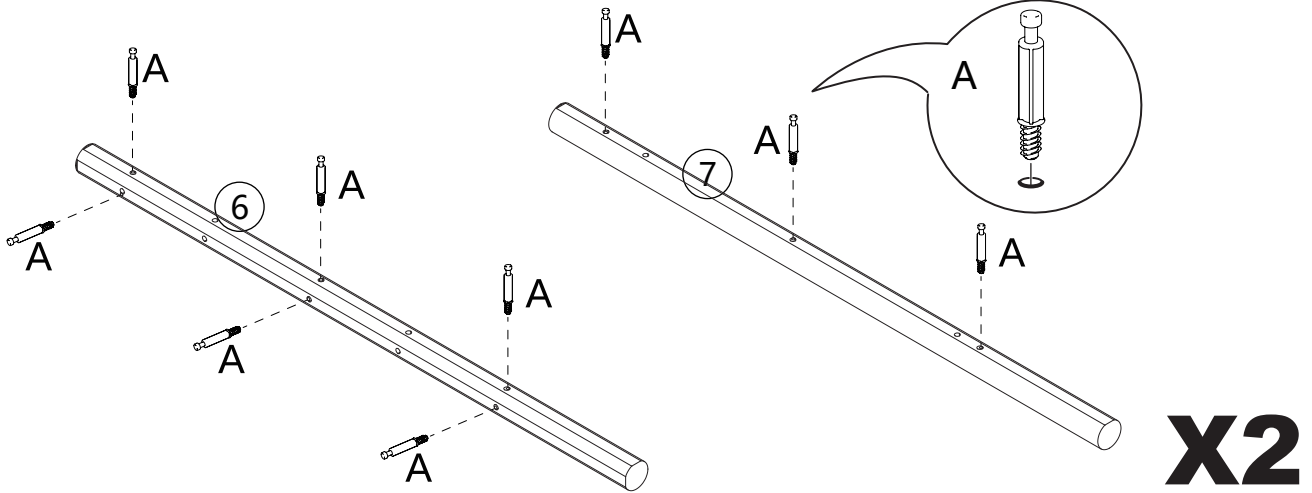
Installation instruction





A	X 70	B	X 70	C	X 36	D	X 45	E	X 4	F	X 6	G	X 6
													
M6*35		Φ15*10		Φ6*30		M4*35		Φ25*3		M3*14			
H	X 4	I	X 72	J	X 6	K	X 1	L	X 6	M	X 1	N	X 2
													
M4*20		M3*12		Φ6*50				M4*12					
CL	X 6	CR	X 6	DL	X 6	DR	X 6						
													

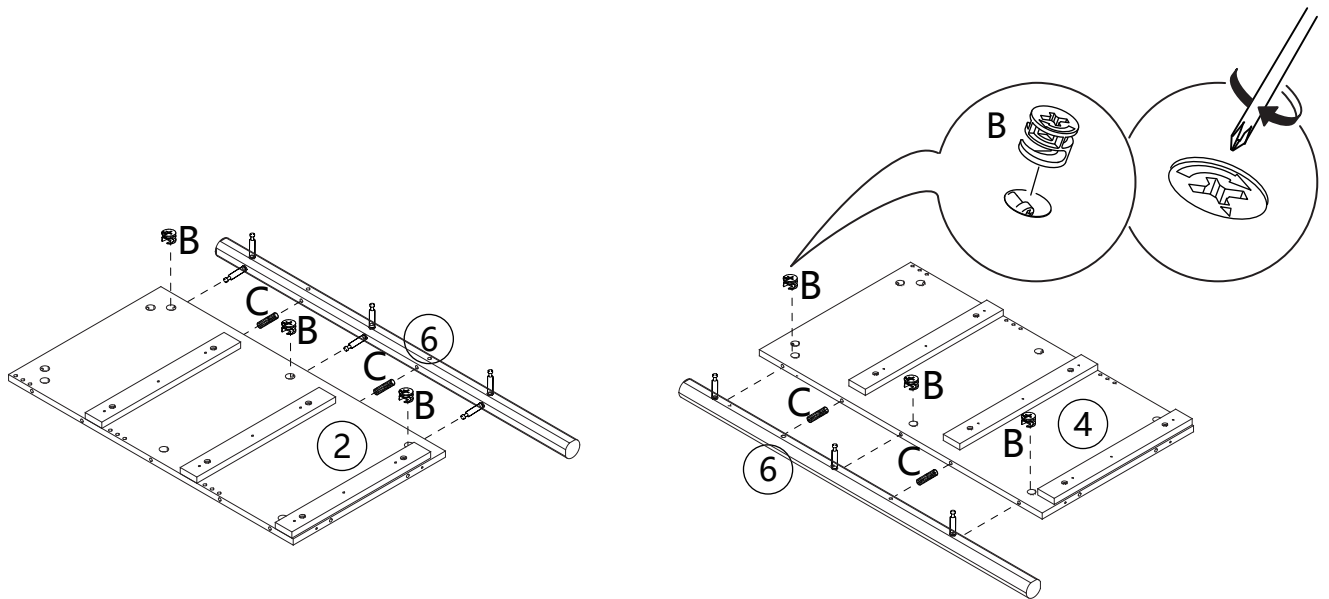
STEP1

A	X 18
	
M6*35	

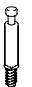


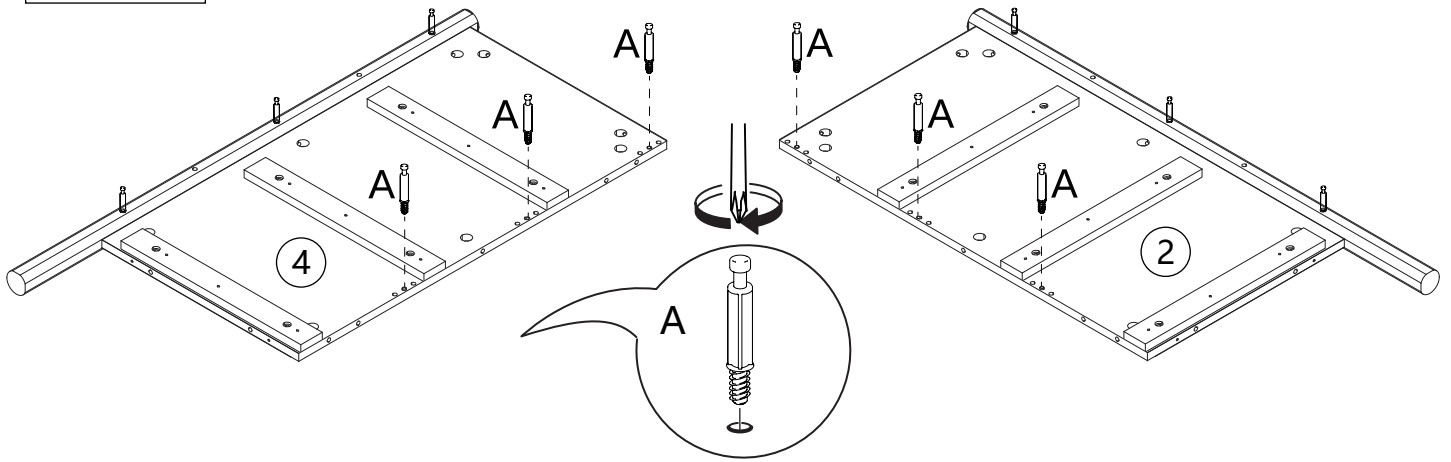
STEP2

B	X 6	C	X 4
			
$\phi 15*10$		$\phi 6*30$	







STEP3

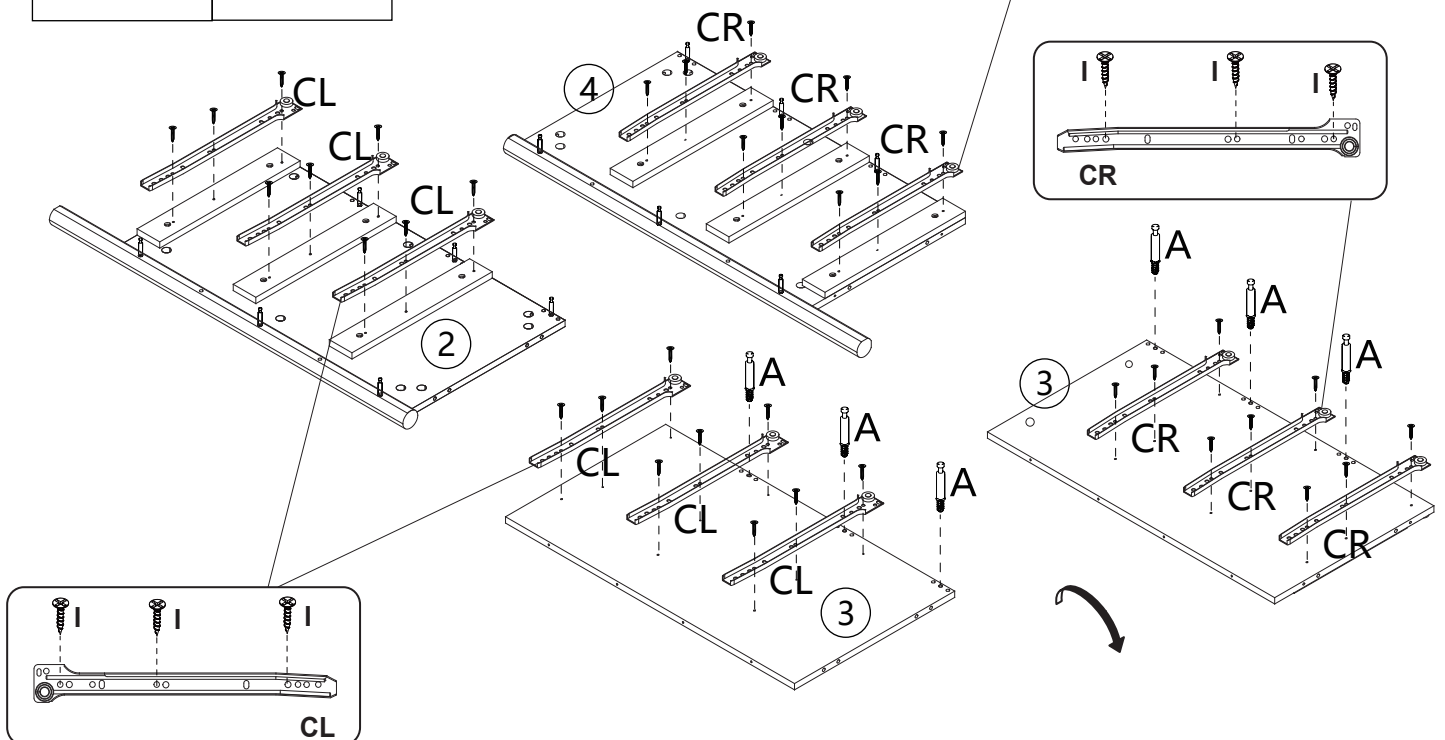
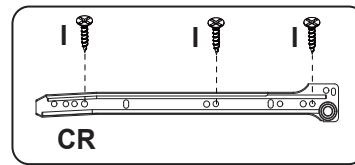
A	X 6
	
M6*35	



STEP4

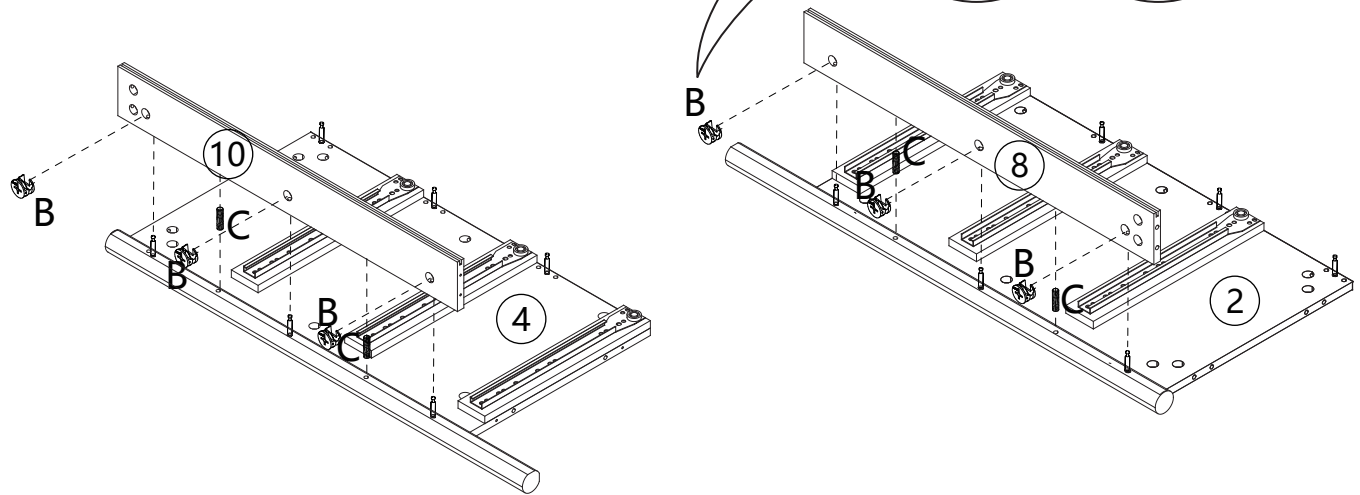
Please note: In Step 4, Panel 3 needs to be rotated 180° as shown. This product only includes one #3 panel.

A	X 6	I	X 36
			
M6*35		M3*12	
CL	X 6	CR	X 6
			



STEP5

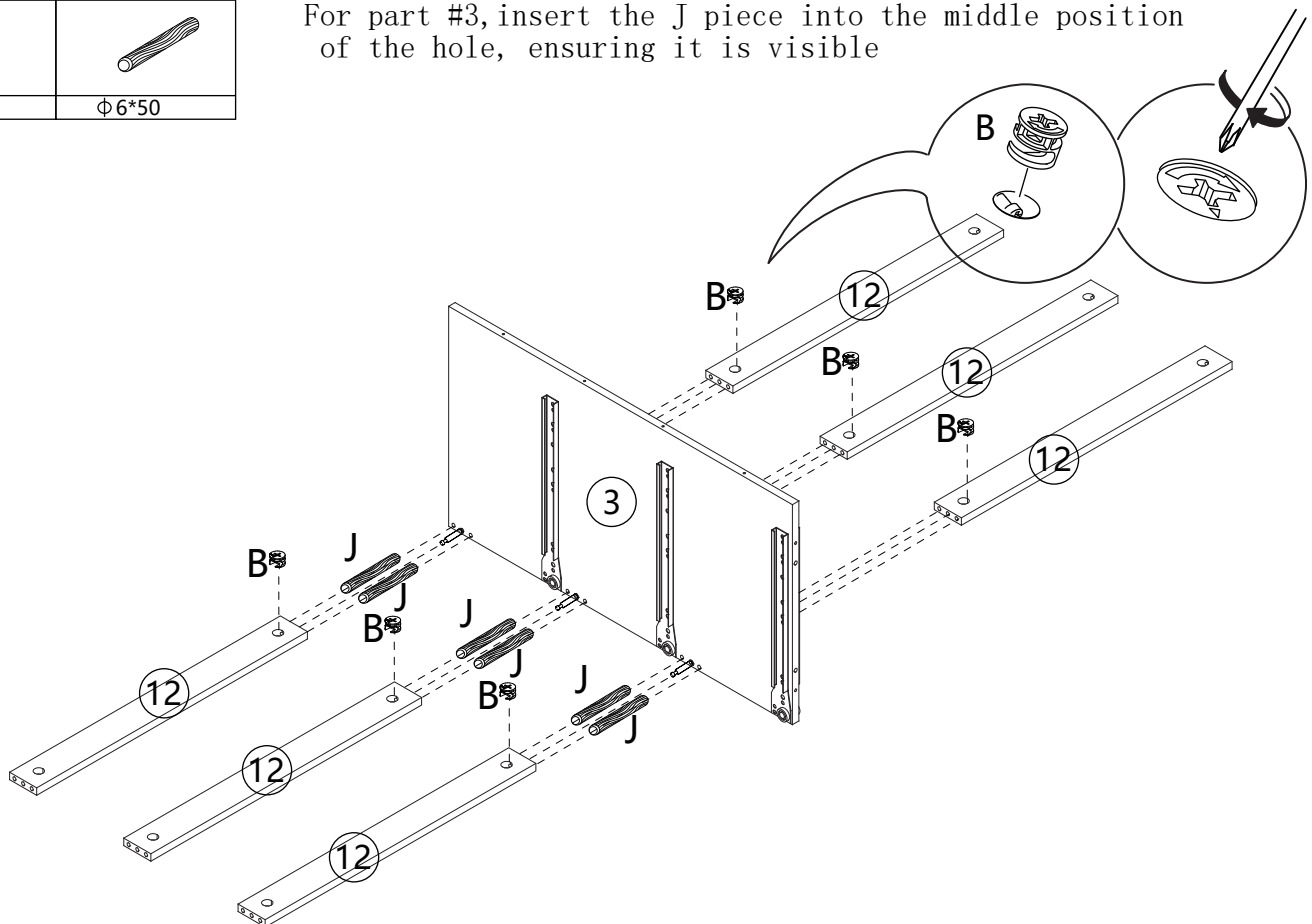
B	X 6	C	X 4
Φ15*10		Φ6*30	





STEP6

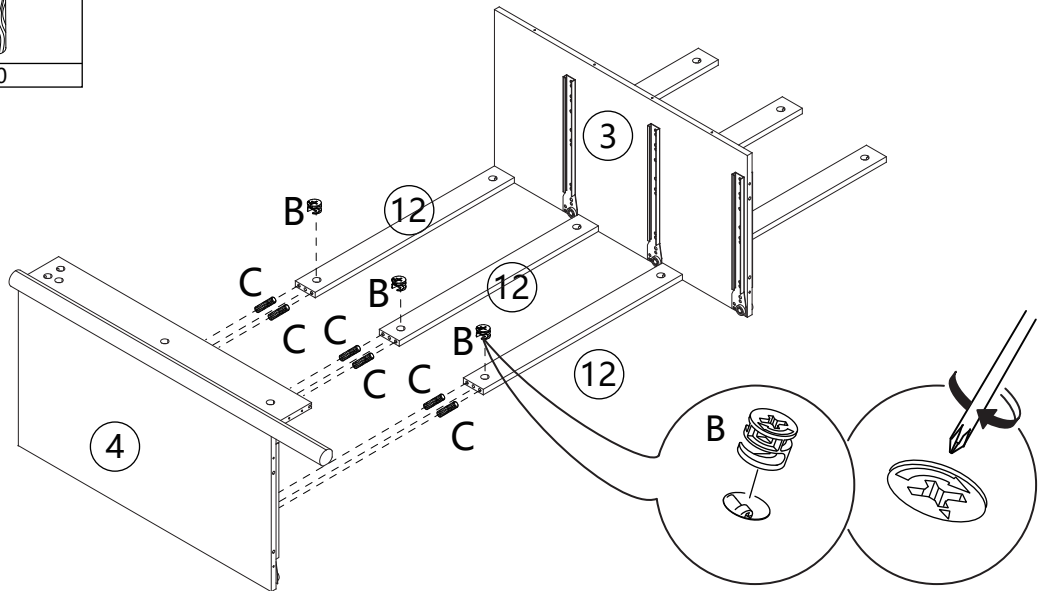
B	X 6	J	X 6
Φ15*10		Φ6*50	

For part #3, insert the J piece into the middle position of the hole, ensuring it is visible





STEP7

B	X3	C	X6
			
Φ15*10		Φ6*30	

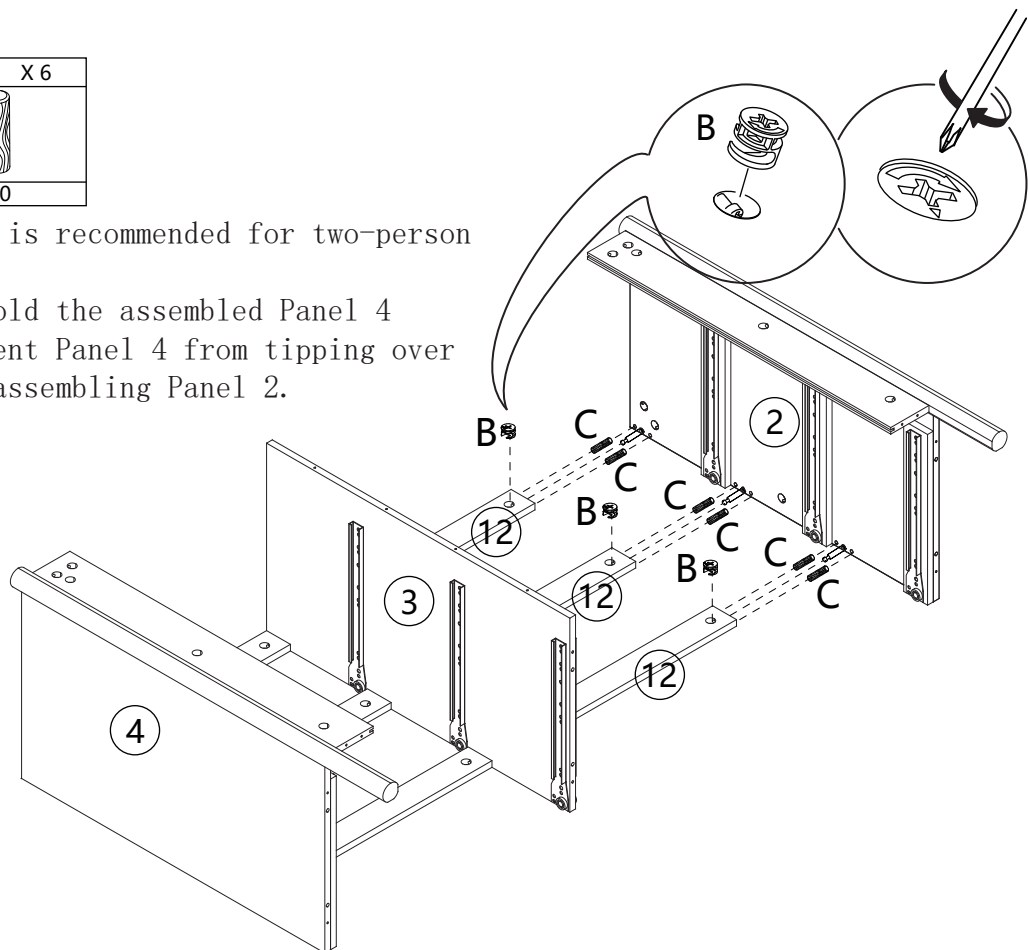


STEP8

B	X3	C	X6
			
Φ15*10		Φ6*30	



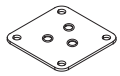


Caution!! This step is recommended for two-person installation.

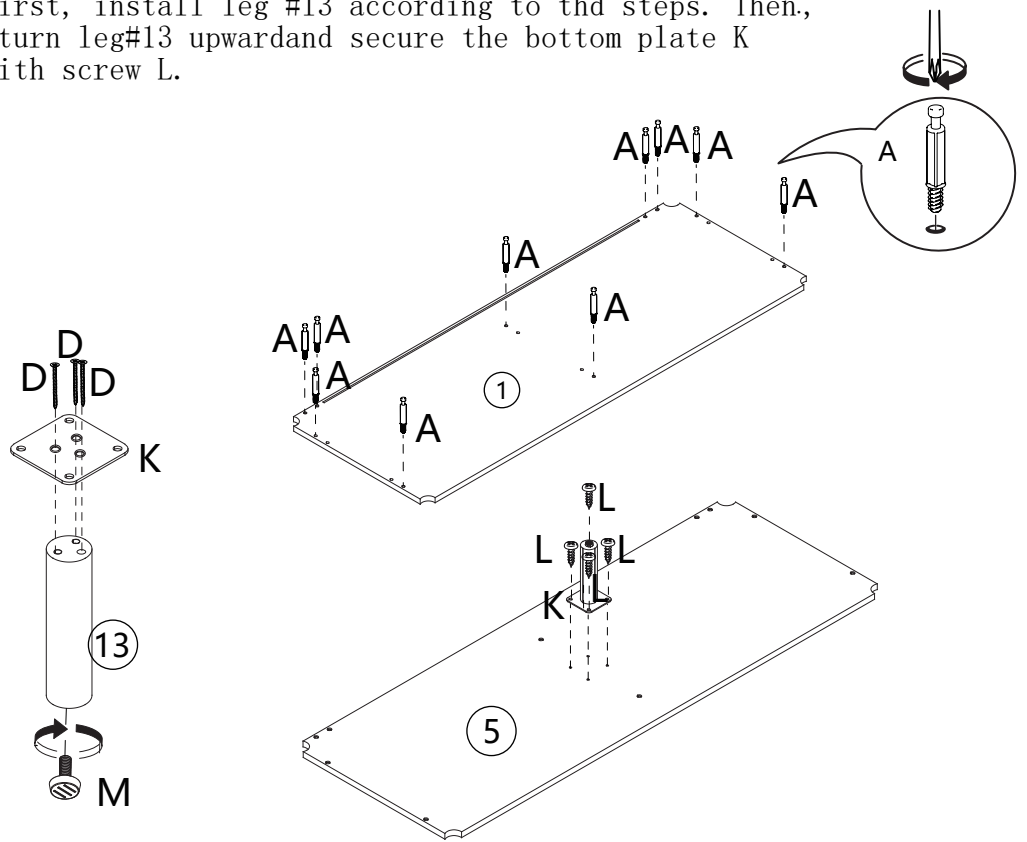
One person should hold the assembled Panel 4 and Panel 3 to prevent Panel 4 from tipping over and breaking while assembling Panel 2.





STEP9

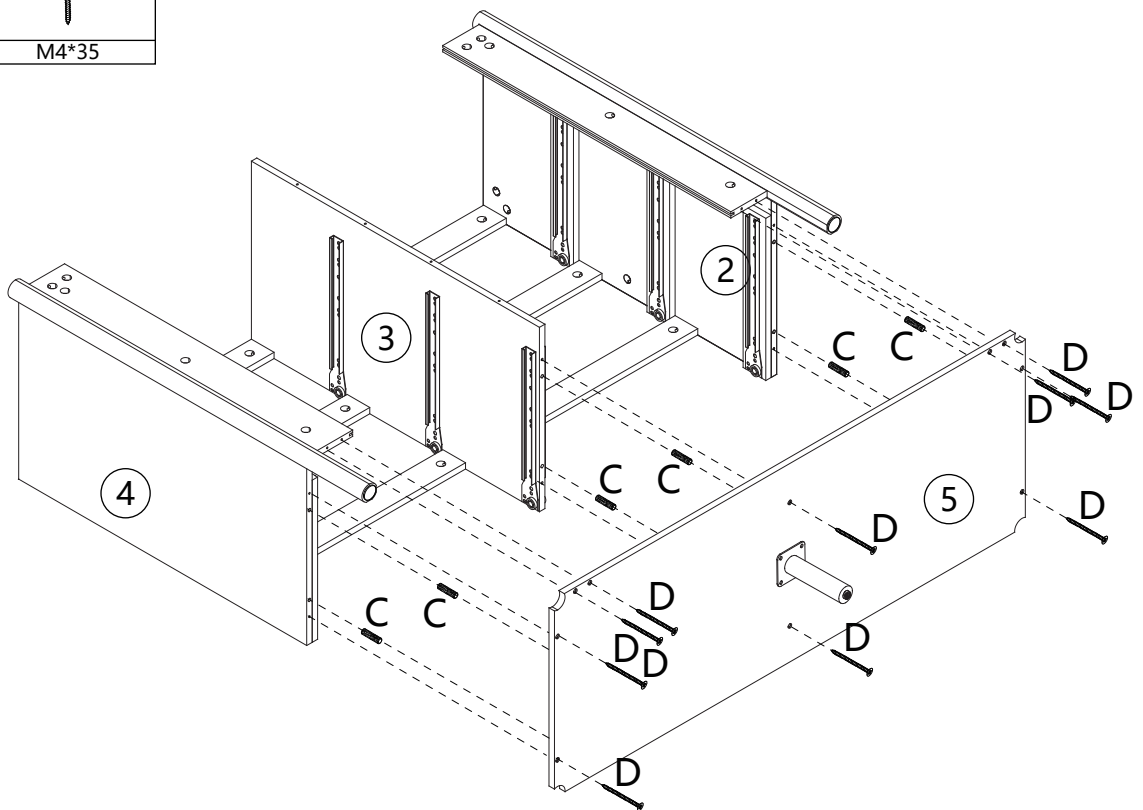
First, install leg #13 according to the steps. Then, turn leg #13 upward and secure the bottom plate K with screw L.

A	X 10	D	X 3
			
M6*35		M4*35	
K	X 1	L	X 4
			
		M4*12	
M	X 1		
			





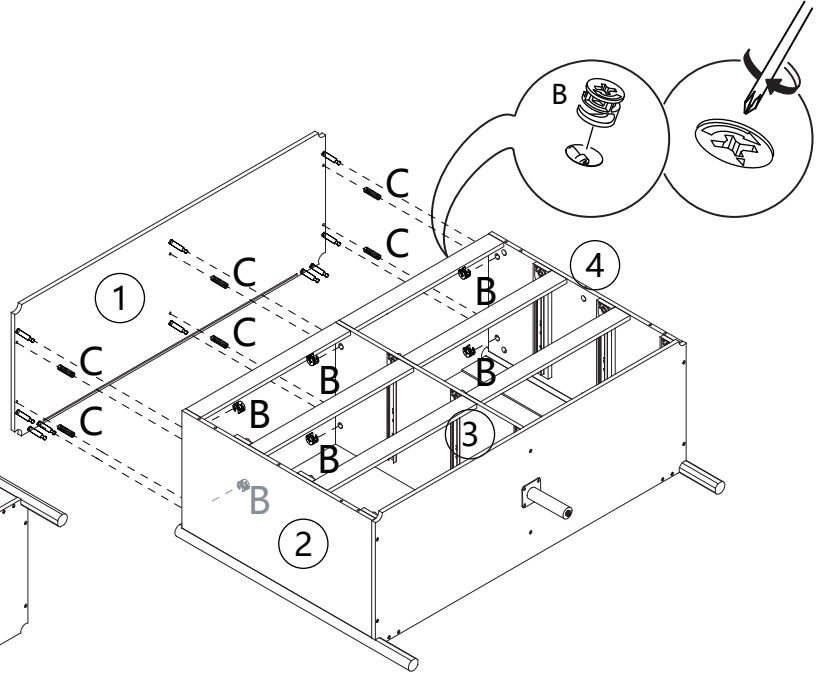
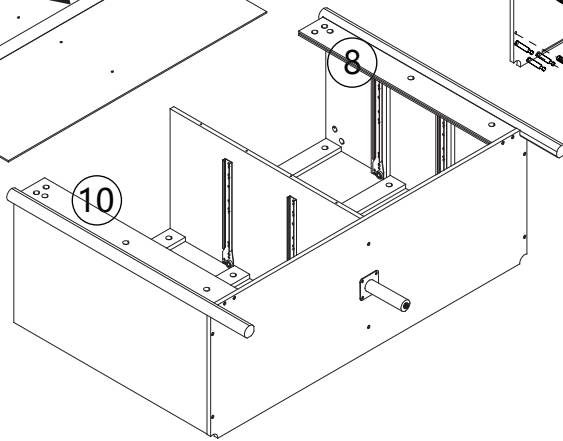
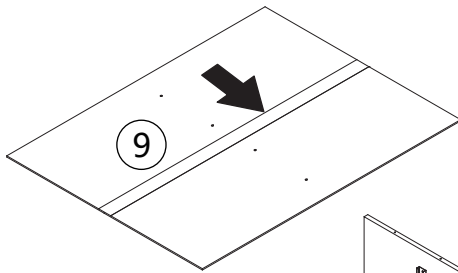
STEP10

C	X 6	D	X 10
			
Φ6*30		M4*35	






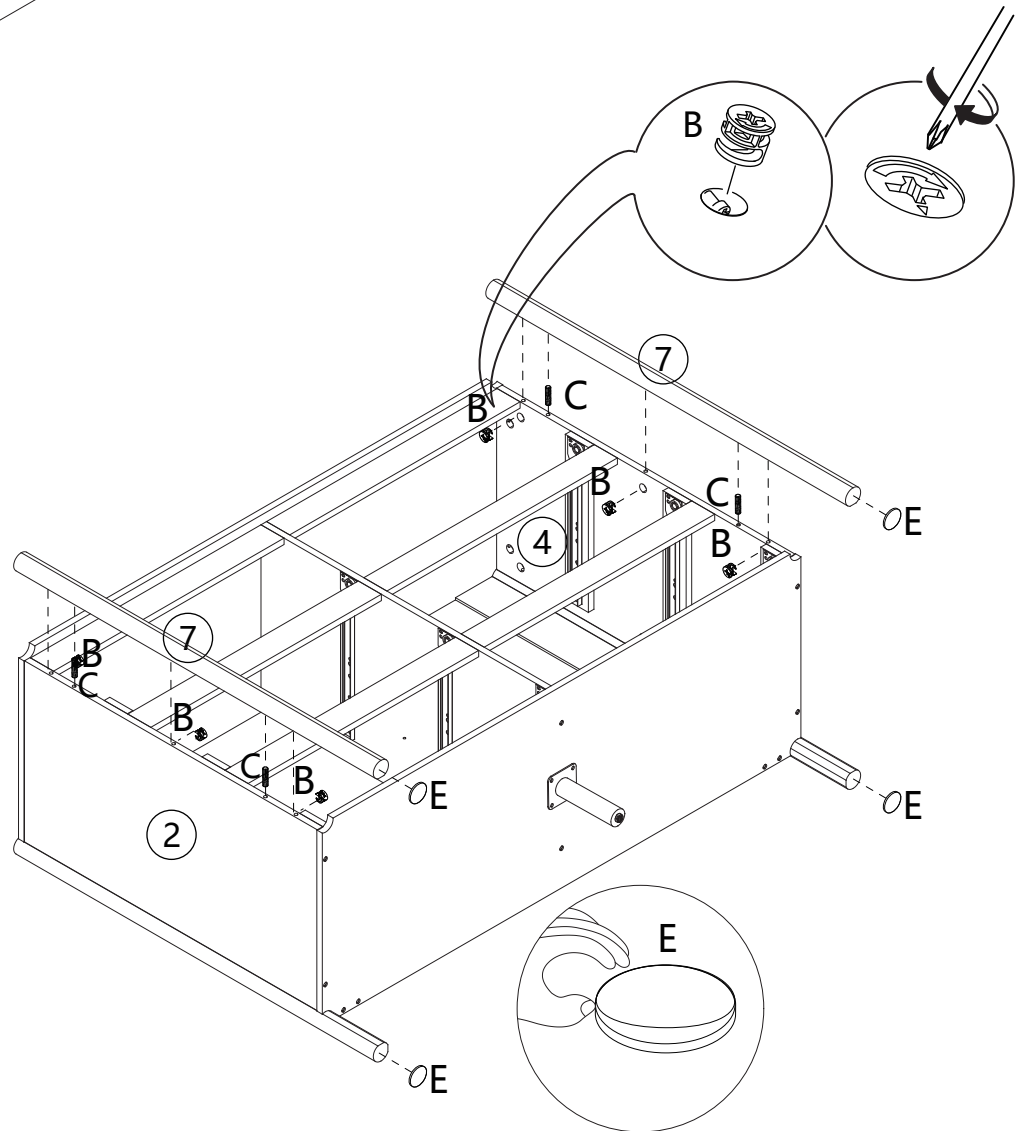
STEP 11

B	X 6	C	X 6
			
$\phi 15*10$		$\phi 6*30$	

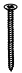


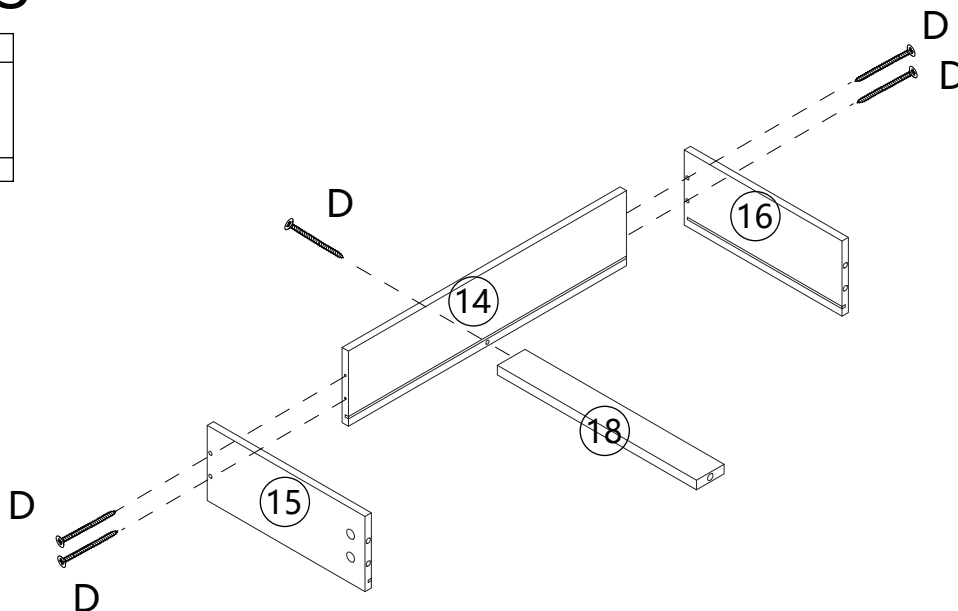
STEP 12

B	X 6	C	X 4
			
$\phi 15*10$		$\phi 6*30$	
E	X 4		
			
$\phi 25*3$			



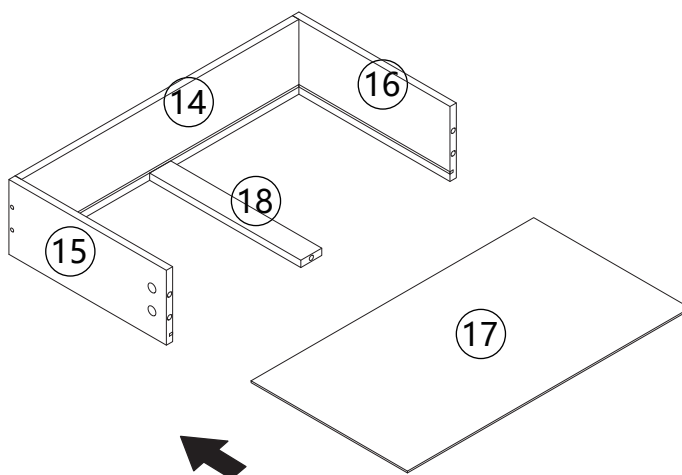
STEP13

D	X 30
	
M4*35	



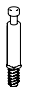

X6

STEP14

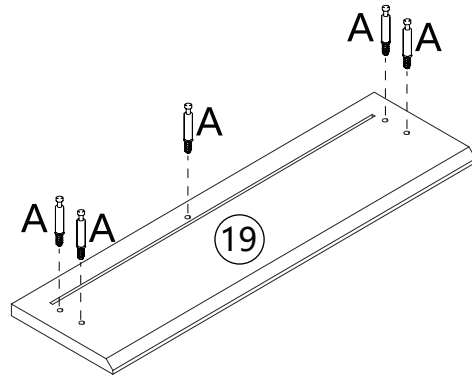


X6

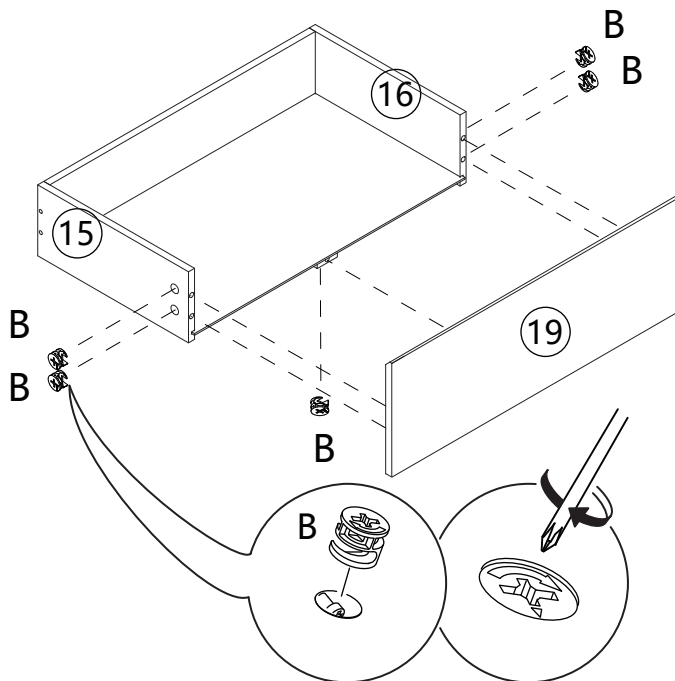
STEP15

A	X 30	B	X 30
			
M6*35		φ15*10	

First, install screw A into the back holes of part #19 . Then, align and part #19 into the corresponding drawer holes.






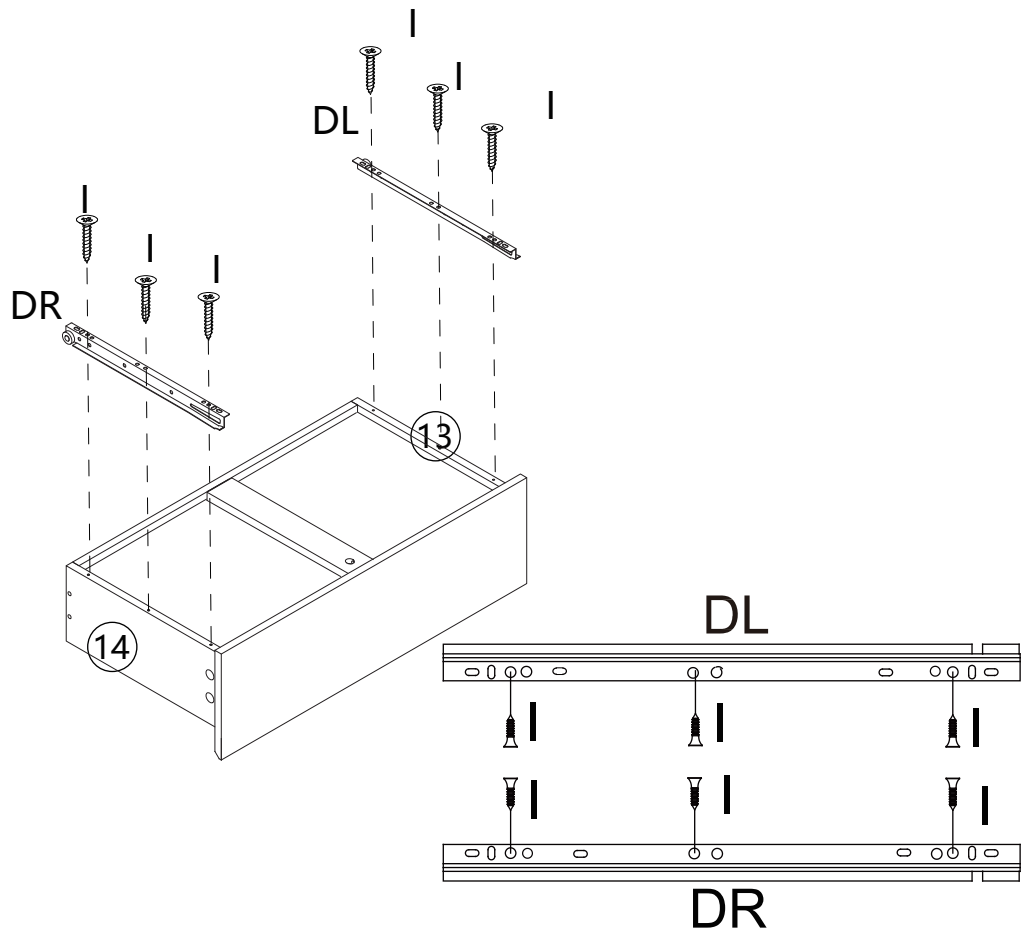
X6



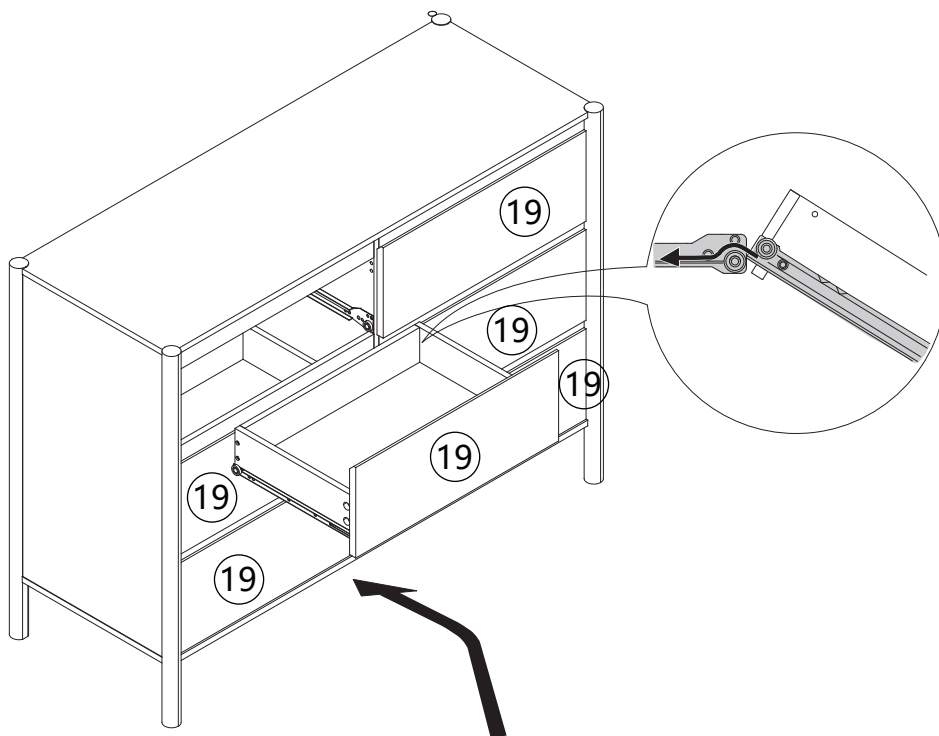
X6

STEP16





I	X 36	DL	X 6
			
DR	X 6		
			

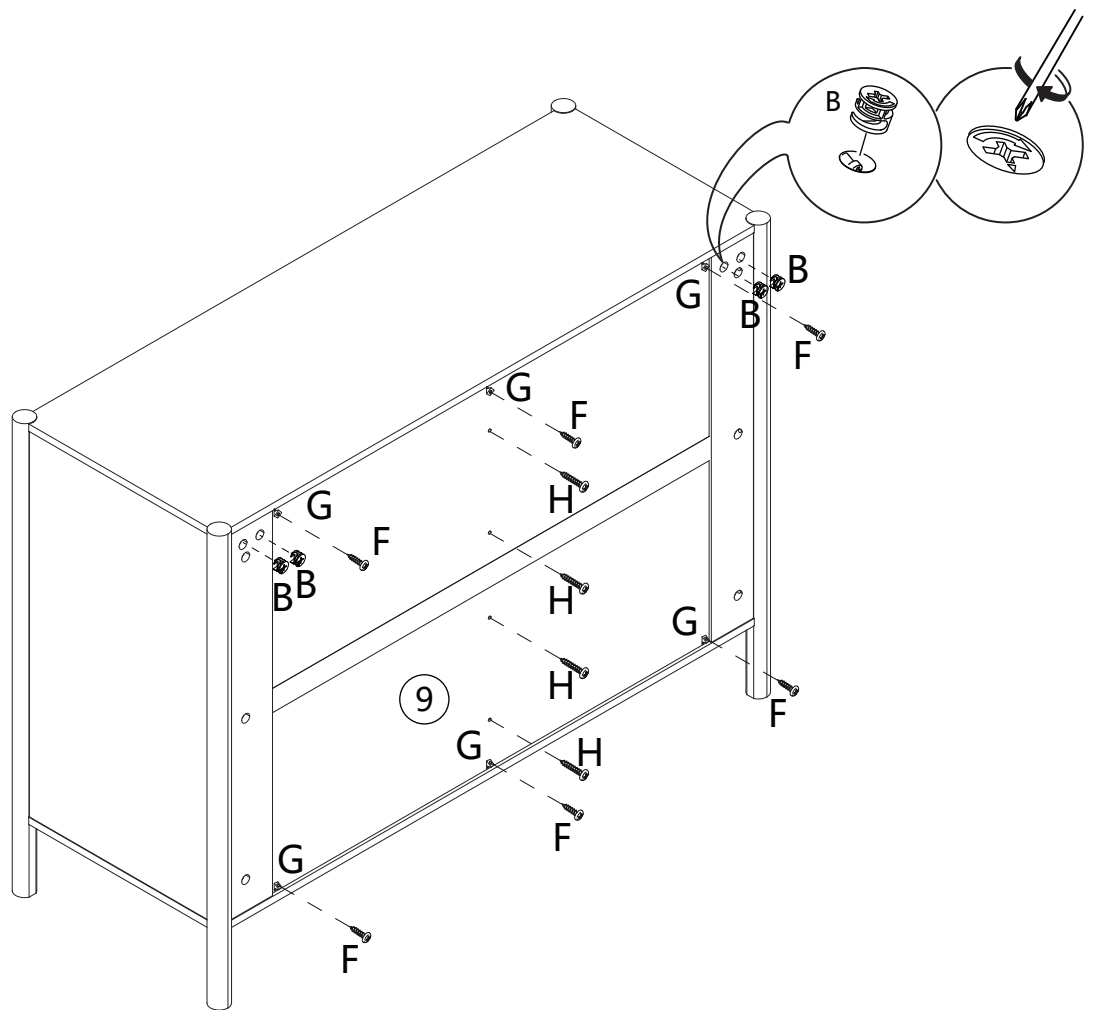


STEP17





STEP18

B	X 4	F	X 6
			
Φ15*10		M3*14	
G	X 6	H	X 4
			
		M4*20	



STEP19

D	X 2	L	X 2
			
M4*35		M4*12	
N	X 2		
