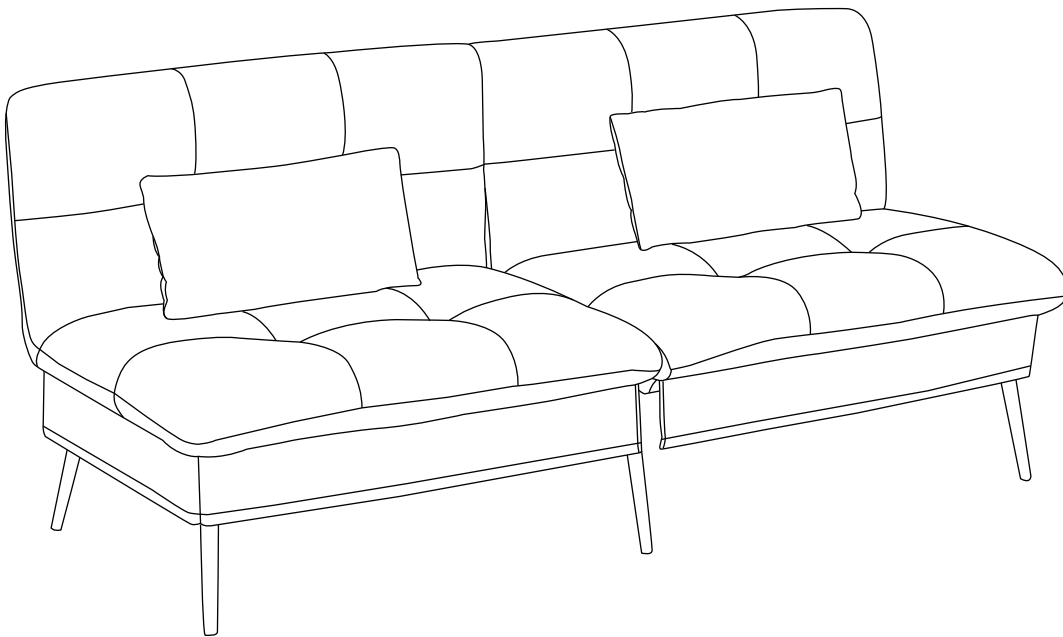


Assembly Instructions

READ THIS MANUAL

Do not use this product until you read and understand the instructions in this manual.

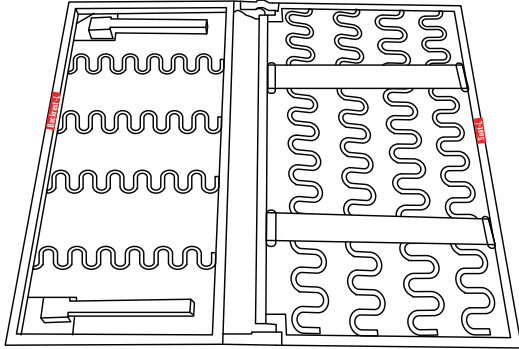
KEEP THIS MANUAL FOR FUTURE REFERENCE.



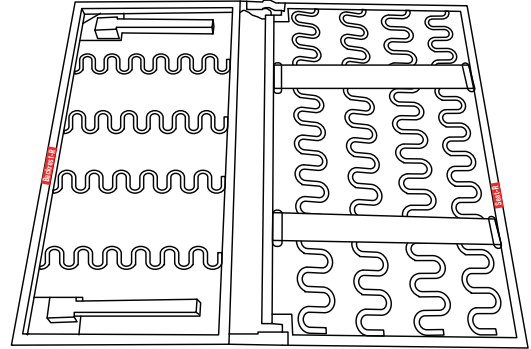
This manual is intended for installation and use. The specific procedures may vary depending on the product you receive.

PARTS AND ACCESSORIES

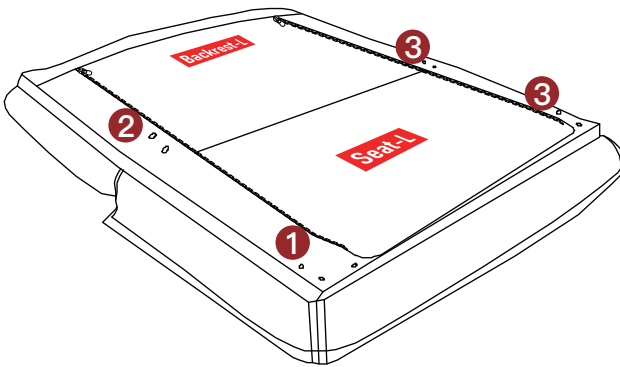
◆ Please check and ensure that all the components are included in the package. If something is missing, please contact us. We will respond within 24 hours and make our best effort to resolve it.



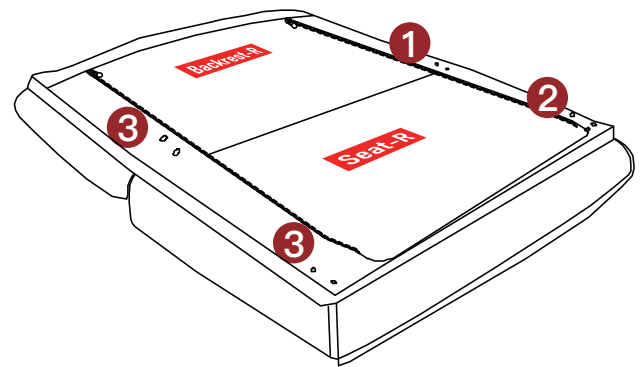
a Iron Frame L *1pc



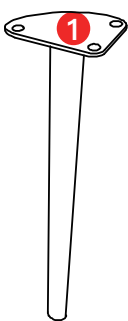
b Iron Frame R *1pc



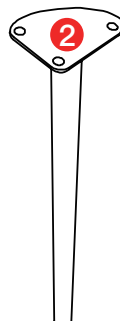
c Outer Cover L *1pc



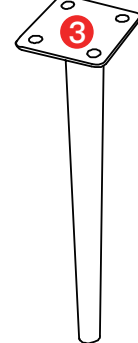
d Outer Cover R *1pc



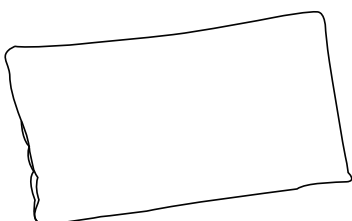
1 Leg ① *2pcs



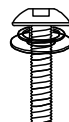
2 Leg ② *2pcs



3 Leg ③ *2pcs



4 Pillow *2pcs



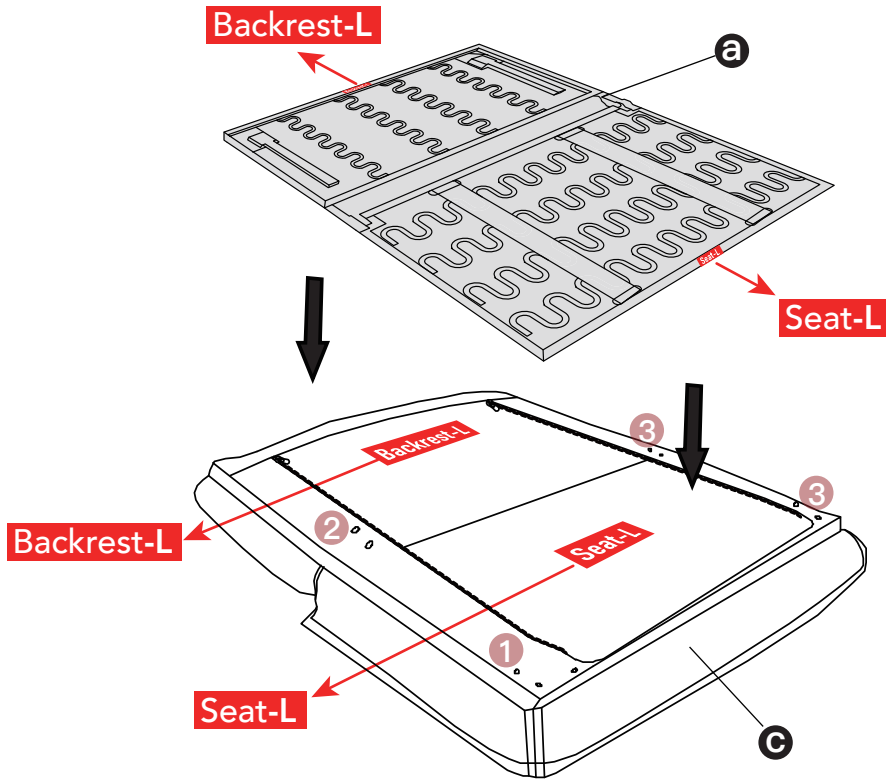
5 M6x30 *20pcs



6 Wrench *1pc

ASSEMBLY INSTRUCTIONS

CAUTION: The safe assembly of this item requires a minimum of two adults. Attempting to lift or handle large and heavy parts without adequate assistance may pose a risk to your back safety.

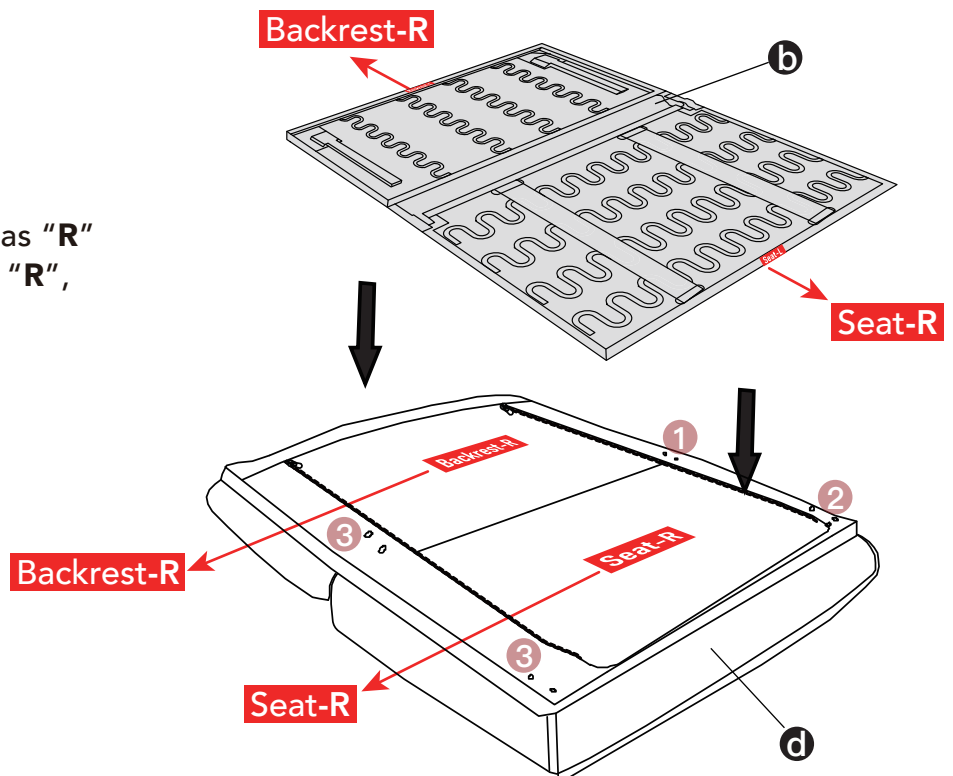


Left Part

1. Carefully unpack the parts and place them on a clean, flat surface.
2. Pick up the iron frame labeled as "L" and the outer cover labeled as "L", aligning them as shown.

Right Part

3. Pick up the iron frame labeled as "R" and the outer cover labeled as "R", aligning them as shown.

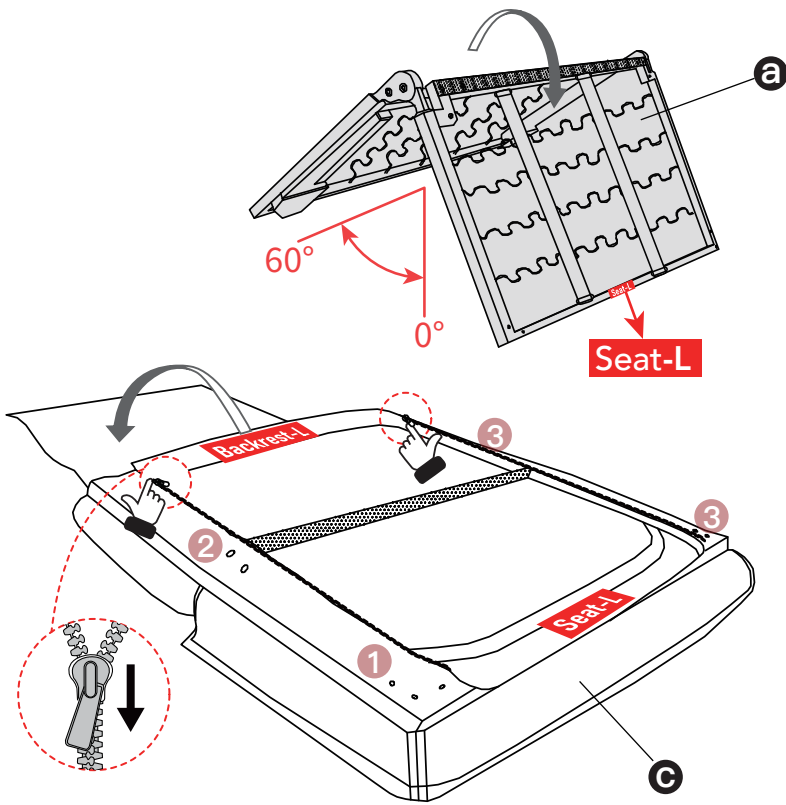


Left Part

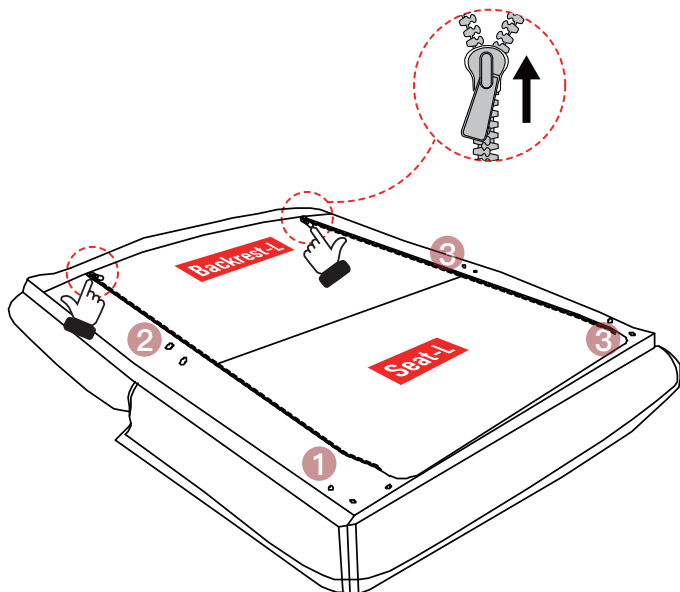
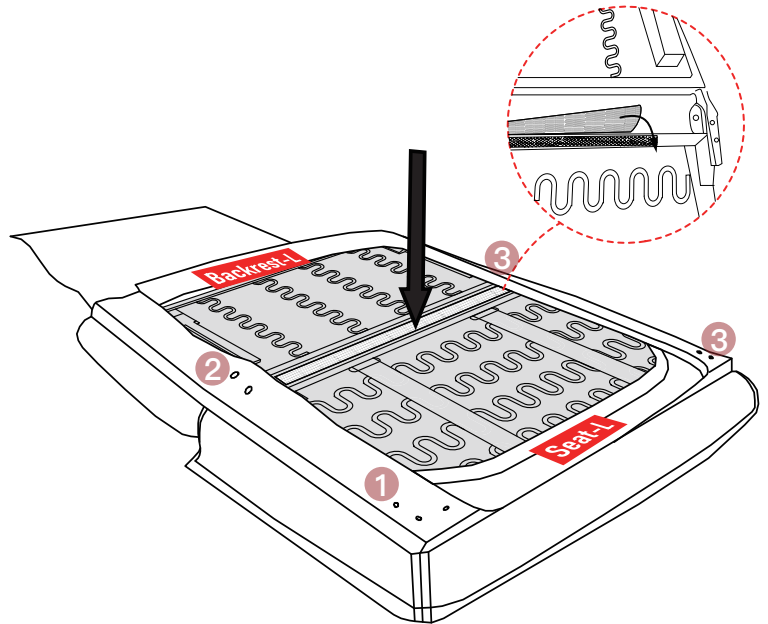
4. Unzip the outer cover L .

5. Fold the iron frame L as demonstrated, and slowly unfold it inside the outer cover L, ensuring that all corners align gently without poking or damaging the outer cover L.

Tips: Handle the iron frame L with care and mind your hands.



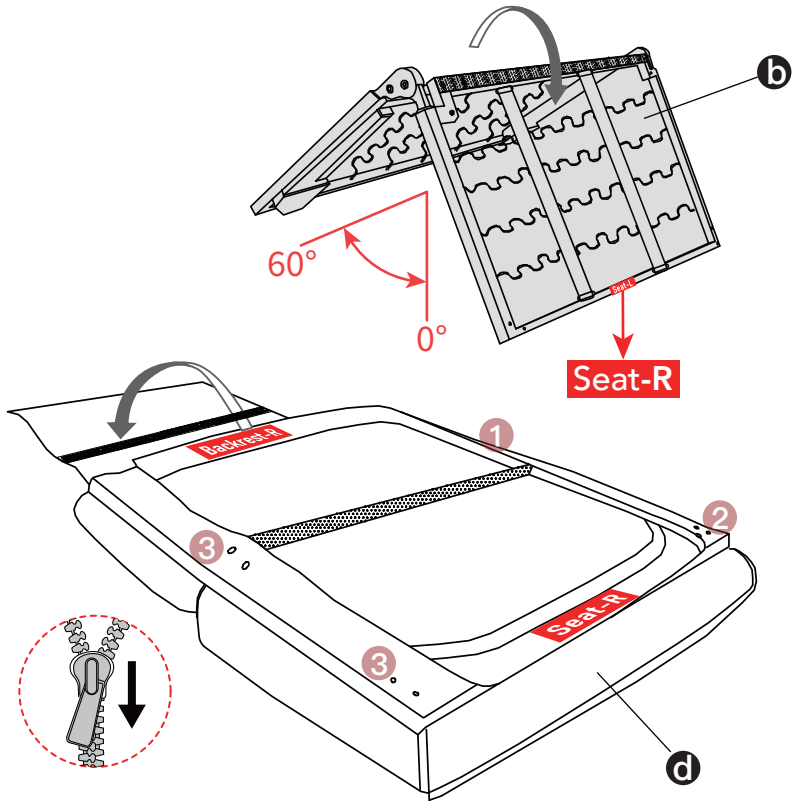
6. Stick the Velcro from the outer cover L to the iron frame L.



7. Zip up the the outer cover L.

Tips: Zip to both sides of the Backrest L of the outer cover L.

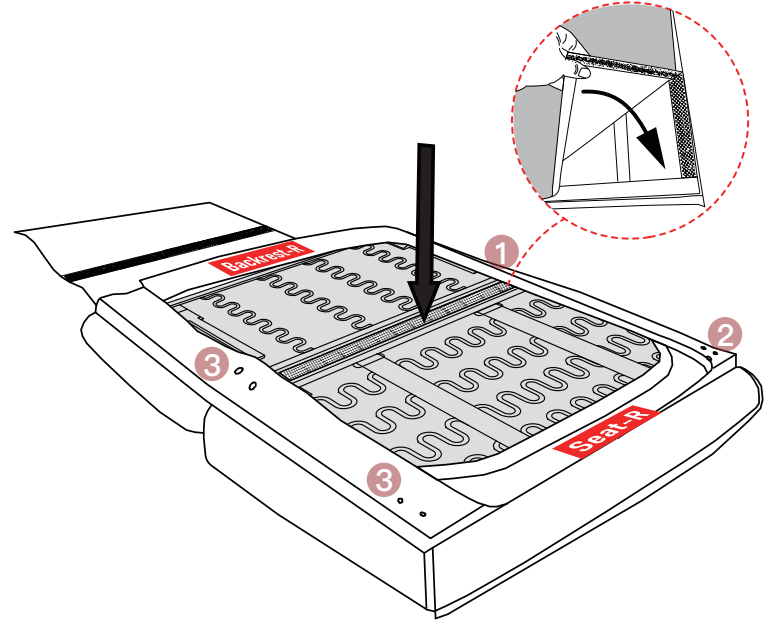
Right Part



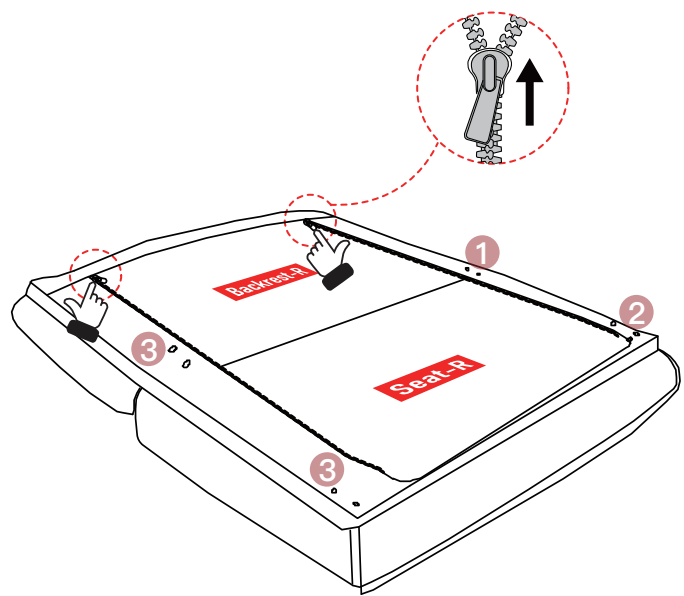
8. Unzip the outer cover R.

9. Fold the iron frame R as demonstrated, and slowly unfold it inside the outer cover R ensuring that all corners align gently without poking or damaging the outer cover R.

Tips: Handle the iron frame R with care and mind your hands.



10. Attach the Velcro from the outer cover R to the iron frame R.



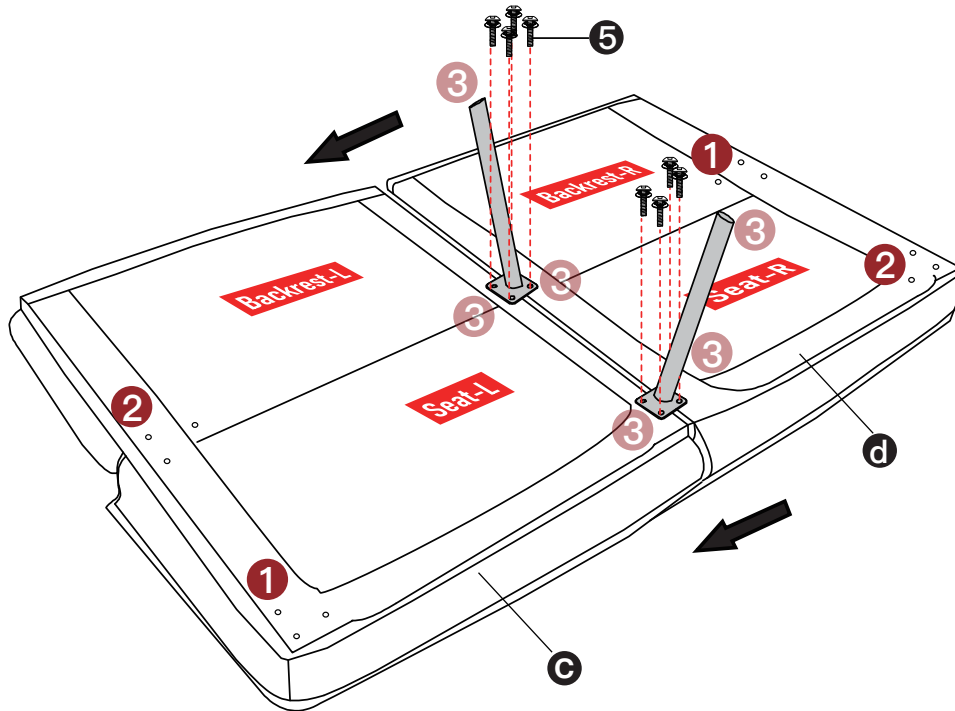
11. Zip up the the outer cover R.

Tips: Zip to both sides of the Backrest L of the outer cover R.

WARNING: Please ensure that all legs are positioned **outward** as depicted in the picture. Placing them in the wrong direction may cause tilting and potential injury.

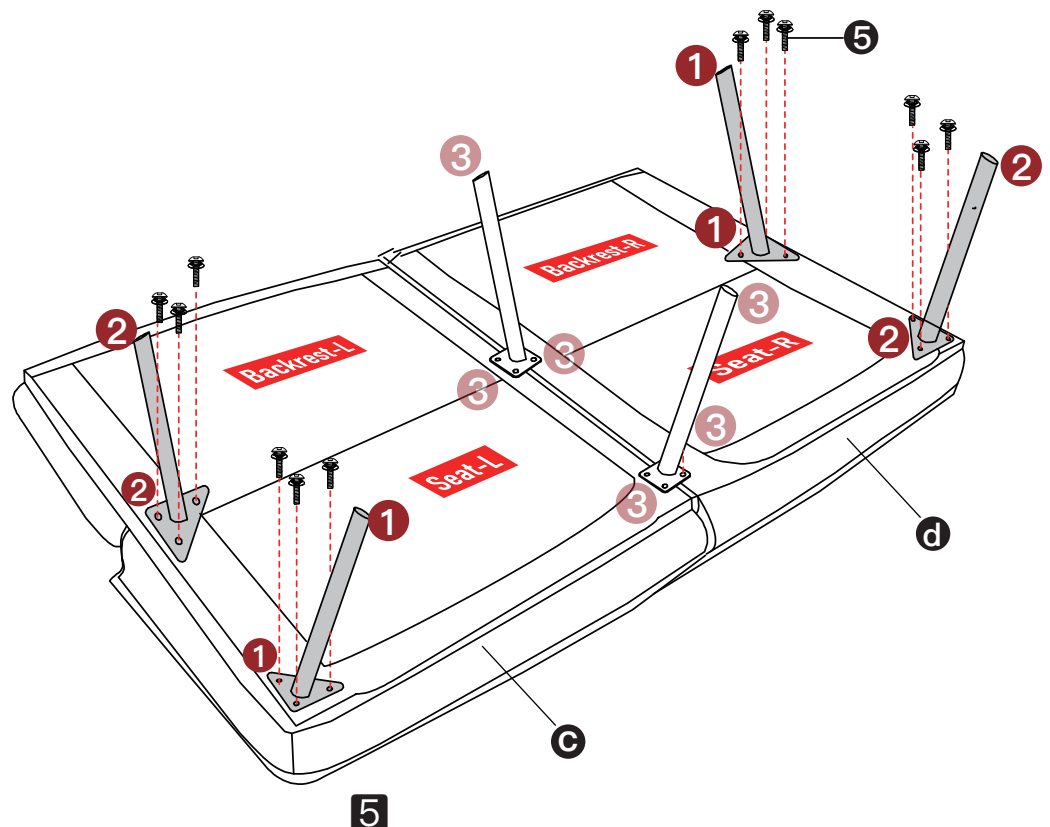
- 12.** Attach Leg ③ to both the iron frame L & R. Prior to working on the iron frame R, make sure to tighten the 4 screws on the iron frame L.

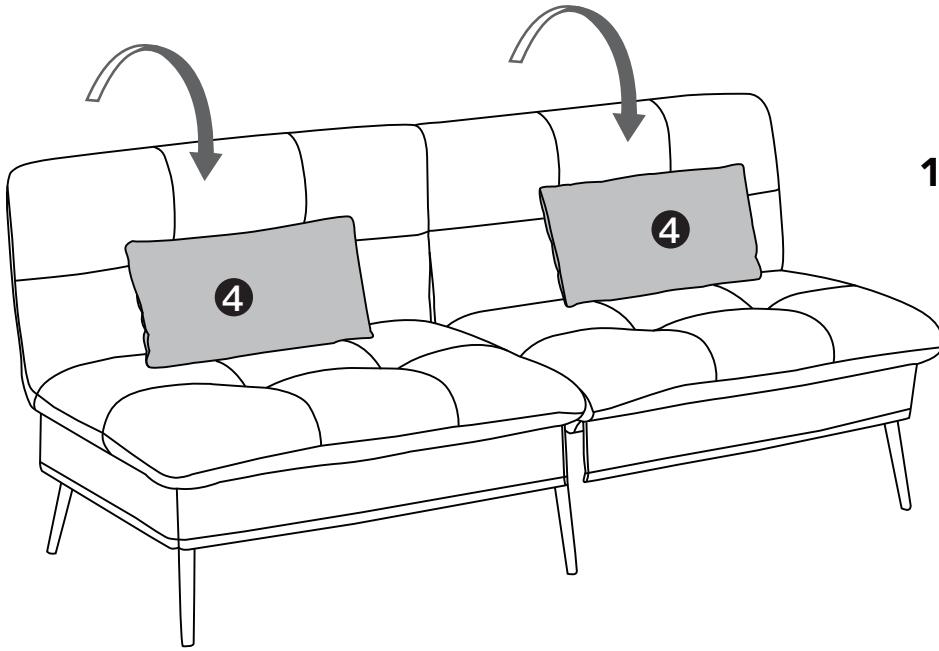
Tips: If aligning the leg ③ with the iron frame R proves challenging, exert additional force on the right side to align the screw holes.



- 13.** Install the leg ① and leg ② on both the iron frame L & R.

Tips: To achieve a better fit between the holes in the outer cover L and the iron frame, stretch the holes slightly.



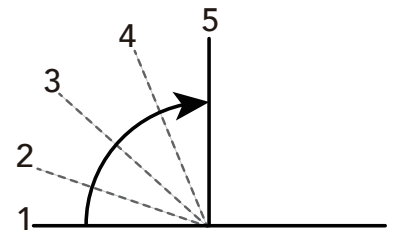
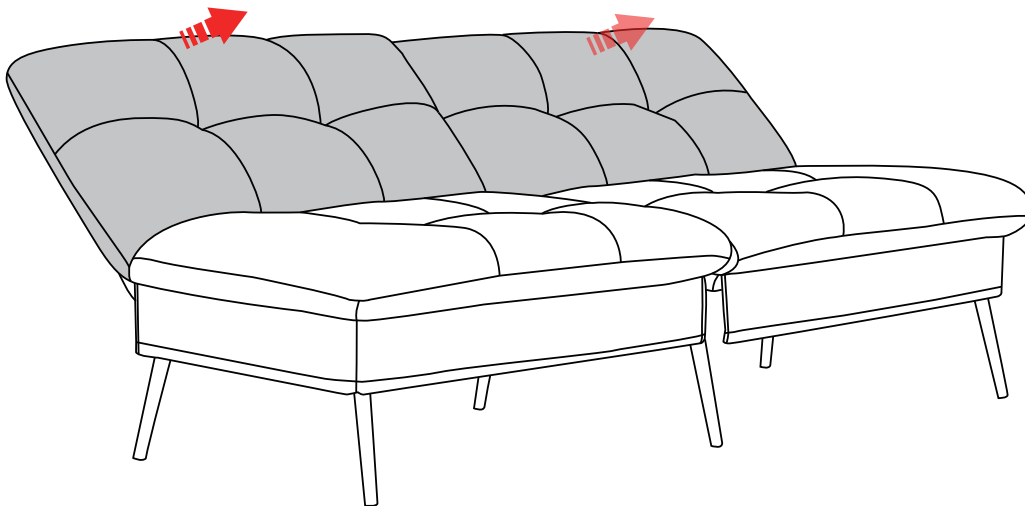


14. Attach the pillows.

Tips: For instructions on lifting the backrests, please refer to **Page 6**.

----- Assembly is now complete. -----

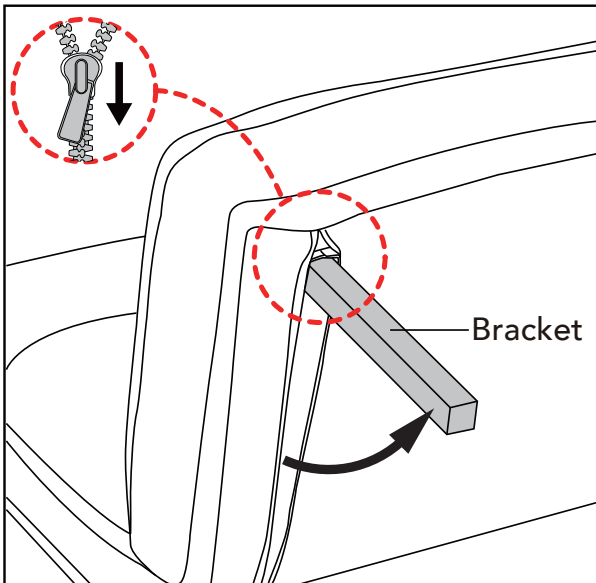
BACKREST OPERATION



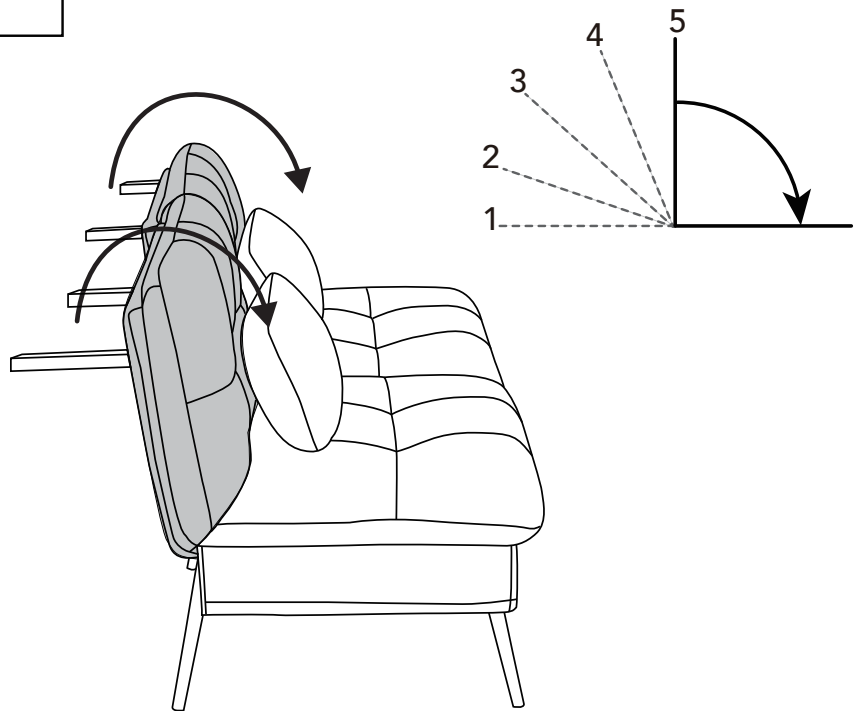
The backrests labeled as **L & R** can be adjusted separately in 5 different positions. To lift the backrest **L**, raise it until you **hear 2 clicks on both sides**, indicating that the backrest **L** is fully locked in position. The same procedure applies to the backrest **R**.

CHAIR TO BED OPERATION

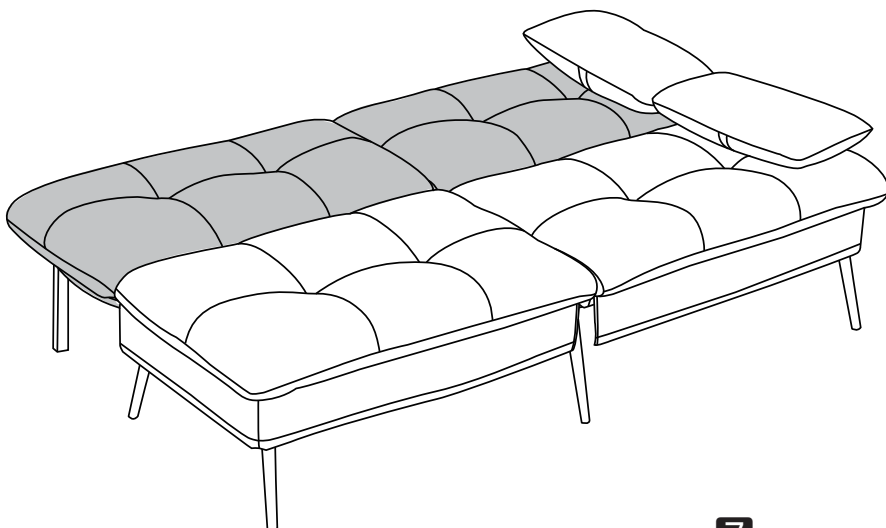
⚠ DANGER: DO NOT lie or sit on the backrest when the iron frame bracket is folded and the backrest is in a horizontal position.



1. Unzip the backrests and expand the brackets on the iron frames.

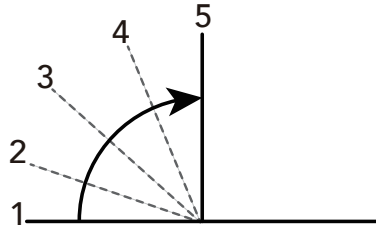
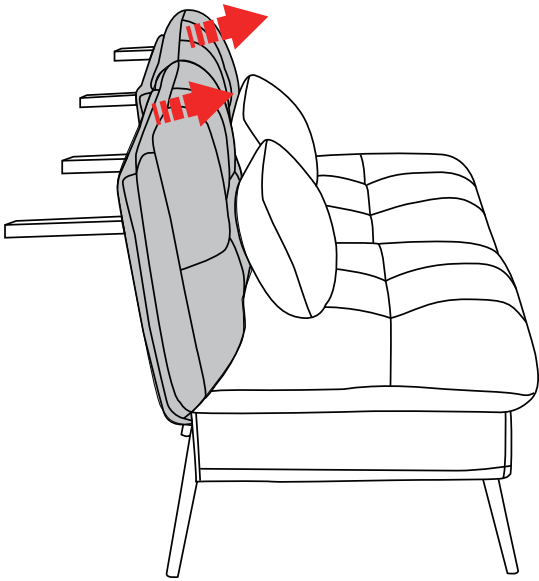


2. Push down the backrests.



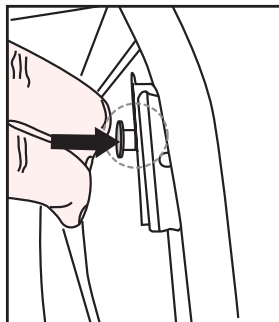
3. Lay the backrests flat in a 180-degree position. Take a moment to relax.

FOLD OPERATION

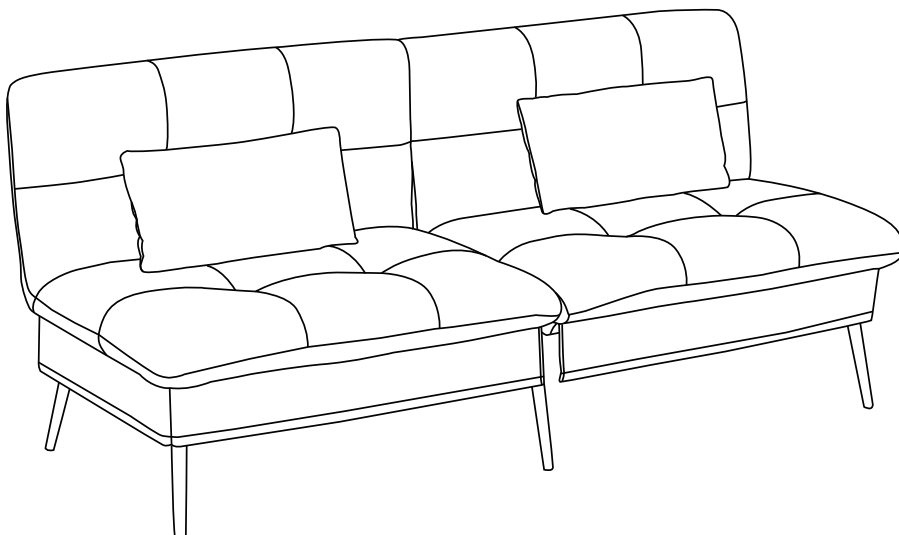
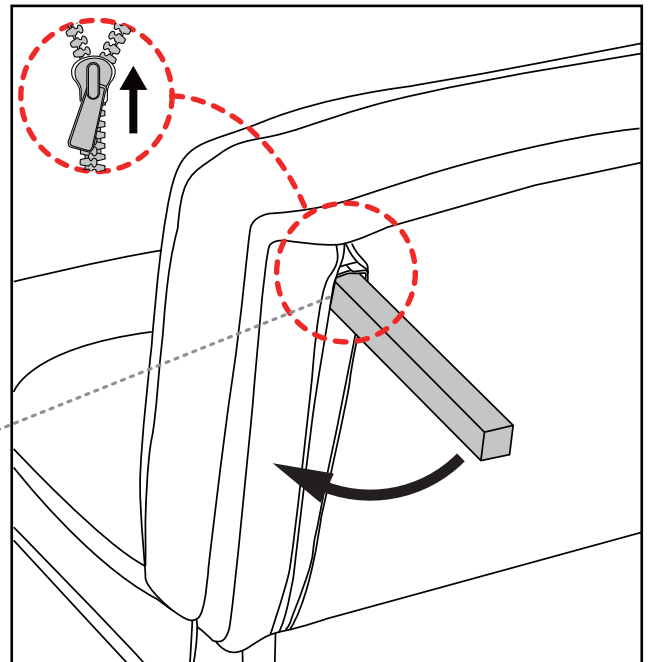


1. For instructions on lifting the backrests, please refer to **Page 6**.

2. Press the button located at the bottom of the iron frame within the backrest to retract the iron frame, as demonstrated. Repeat the same procedure for the other side.



Fold Button



3. The sofa bed returns to the upright position.

Dear Customer,

Thank you for choosing us.

For safe use, please read this manual before installation, and keep it for after use. Please feel free to email us if you have any concerns about our products. We'll reply within 24 hours.

The following are the things you need to pay attention to so that we can provide you with services when you encounter problems during the installation and use of the product:

- When the product is damaged due to courier problems, please contact our customer service in time for verification.
- We will rectify the issue as soon as possible;
- We give 2 years quality assurance;
- We provide a 30-day no-reason return service (note that the returned product will not affect the secondary sales).

We offer product explanations, installation instructions, product maintenance and maintenance methods.

If you feel satisfied with our product and service,

- Please set our store as your favorites;
- Please recommend our products to your friends;
- Please leave us your purchase experience in our store or product page.

Feedback or reviews from you will greatly help us offer better services to players around the world.

Best regards!

Avoid using sharp objects such as a knife to cut open packaging as you may accidentally damage the product.