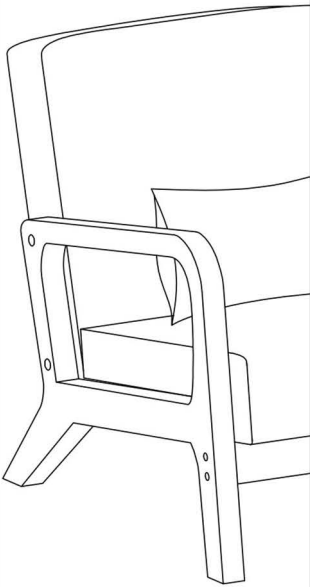


Owner Manual



WARRANTY

We strive to offer high quality product and we also try our best to satisfy each customer that order from us, no matter on products or services as needed. Each customer receives a record of their order, such as the order number or item receipt. For any items that are out of warranty period, you may still be able to purchase the replacement parts from our company if they are available.



MAINTENANCE AND WARNING

Please read the manual thoroughly
before you start installing.

Please keep the product away from
sharp object.

Packaging and small parts may have
chocking hazard, please keep them away
from children and pets.

Please clean the product according to each
clean code, check the product description
for more information.

Please keep the product away from
fire.

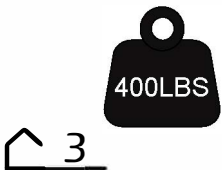
If you have any other questions, please
contact us, we will be glad to help you out.

If the product is placed under direct
sunlight, the pattern or color might fade
away overtime.

Check the product periodically to make
sure everything is secured and tightened.

Always use proper tools for installation.

Do not jump on the product.



PRODUCT DESCRIPTION

Soft Cotton Upholstery: Made from high-quality cotton fabric for a breathable and comfortable touch.

Durable Solid Wood Frame: Ensures stability and long-lasting use.

Mid-Century Modern Appeal: Adds a sophisticated, timeless style to your living space.

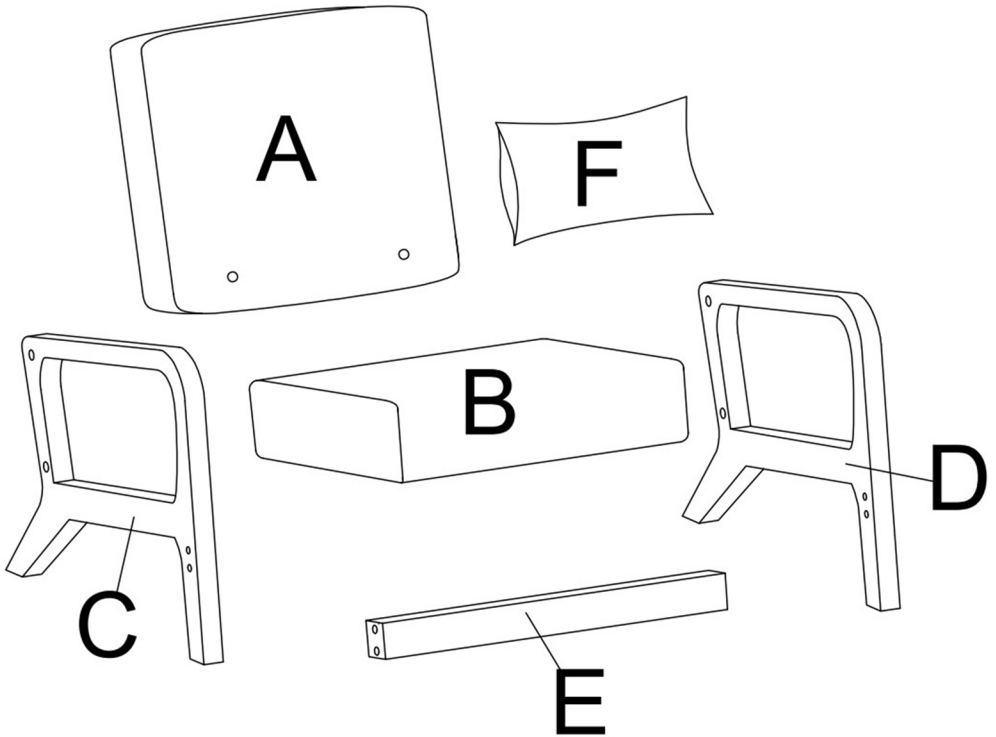
Easy to install: The product box comes with detailed installation instructions and all the parts and tools needed for installation, so even a single person can install it quickly

The chair should be assembled on cardboard or carpet for ease of handling and to avoid collision with the floor

EXPLODED VIEW

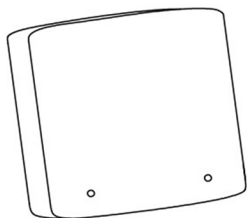


The product's left and right are determined by sitting posture



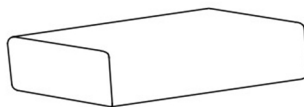
PARTS

A*1



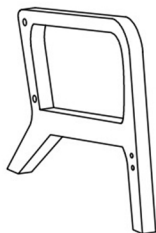
Back

B*1



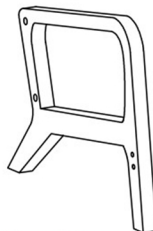
Seat frame

C*1



Right arm

D*1



Left arm

E*1



Front cross member

F*1



Waist pillow

HARDWARE

TOOL LIST

NOTE: Designated with (★) We provide additional spare parts in the hardware package

①*10



★ M8*60mm
Bolt

②*2



★ Washer

③*1



Allen key

④*8



★ Plastic cover

⑤*4



Felt mat

⑥*4

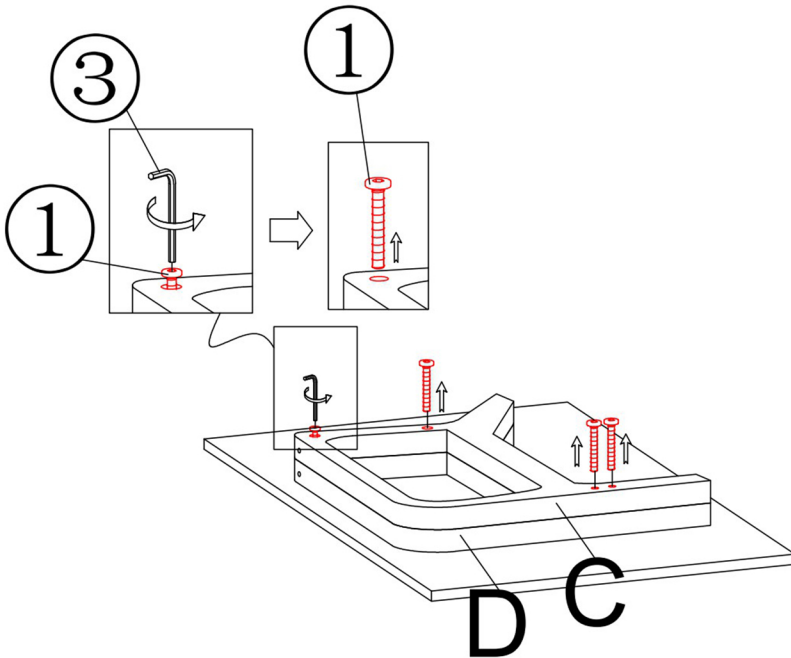


Vertical nut

Please make sure all hardware & packing material fitting the list. Especially some small accessories may be missing during transportation. Please contact us if you have any question.

step 1

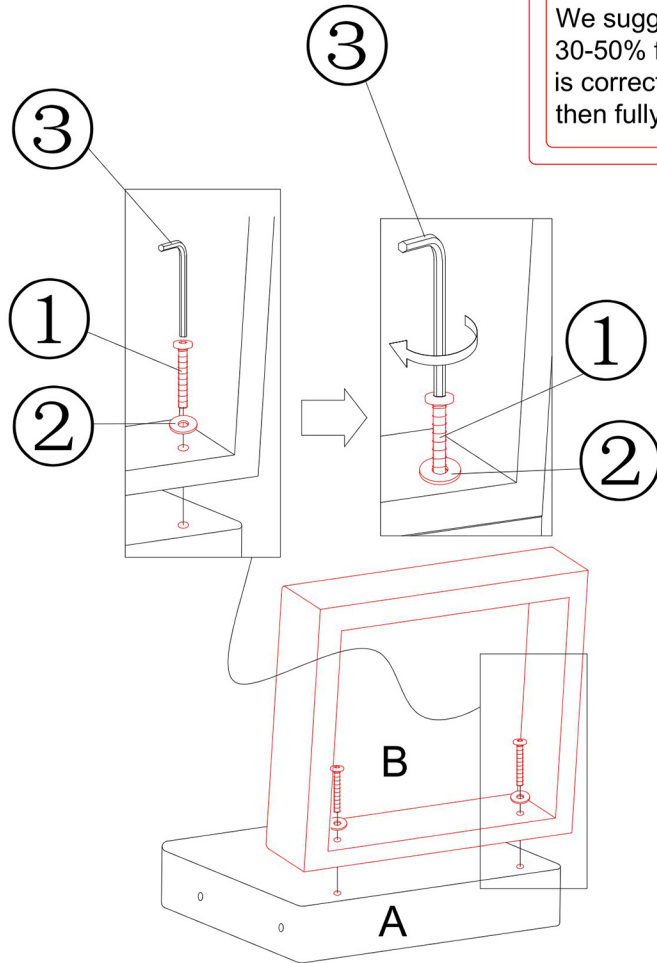
Using allen key (3) provided to remove the armrests (C & D) from the wooden board, the wooden board is for fixing the armrests during the transportation, not part of the product.



* You may place a rug or some covers underneath the seat frame, in order to protect your floor and the product.

step 2

Connect back (A) and the seat cushion (B) with the bolts (1) and washers (2), using allen wrench (3) provided to tighten the bolts, make sure all the bolts are fully tightened before next step.

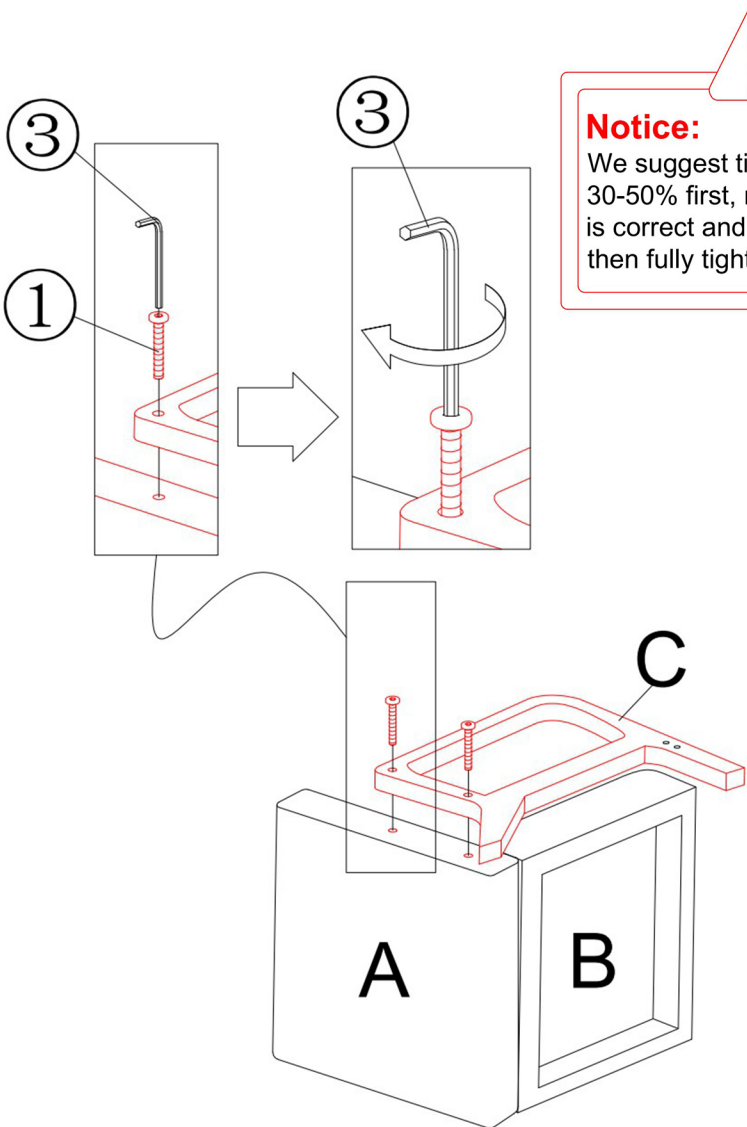


Notice:

We suggest tightening the bolts for 30-50% first, make sure the process is correct and bolt holes are aligned, then fully tightening them all.

step 3

Use the bolts (1) to tighten the right arm (C) with the frame as shown, use the allen wrench (3) provided to tighten the bolts.

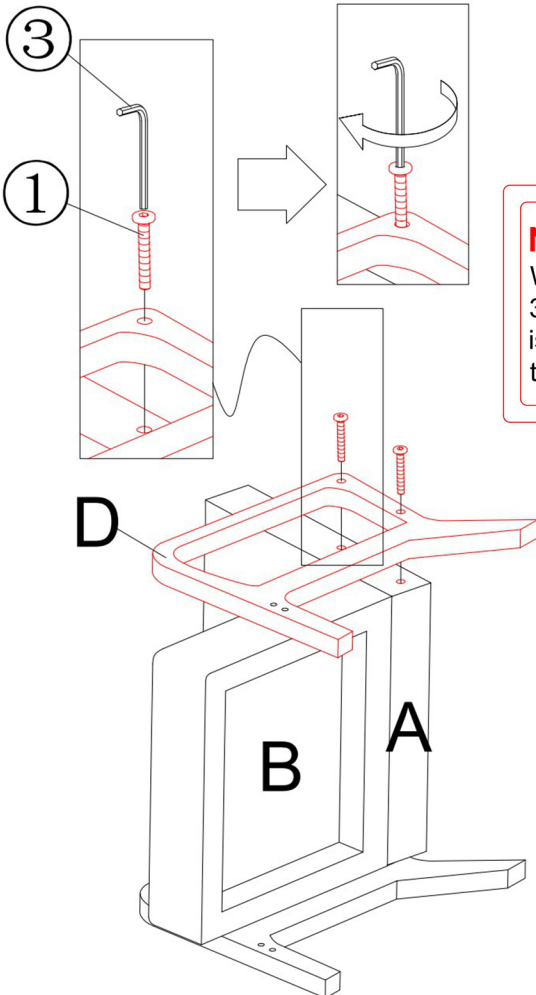


Notice:

We suggest tightening the bolts for 30-50% first, make sure the process is correct and bolt holes are aligned, then fully tightening them all.

step 4

Use the bolts (1) to tighten the right arm (D) with the frame as shown, use the allen wrench (3) provided to tighten the bolts.

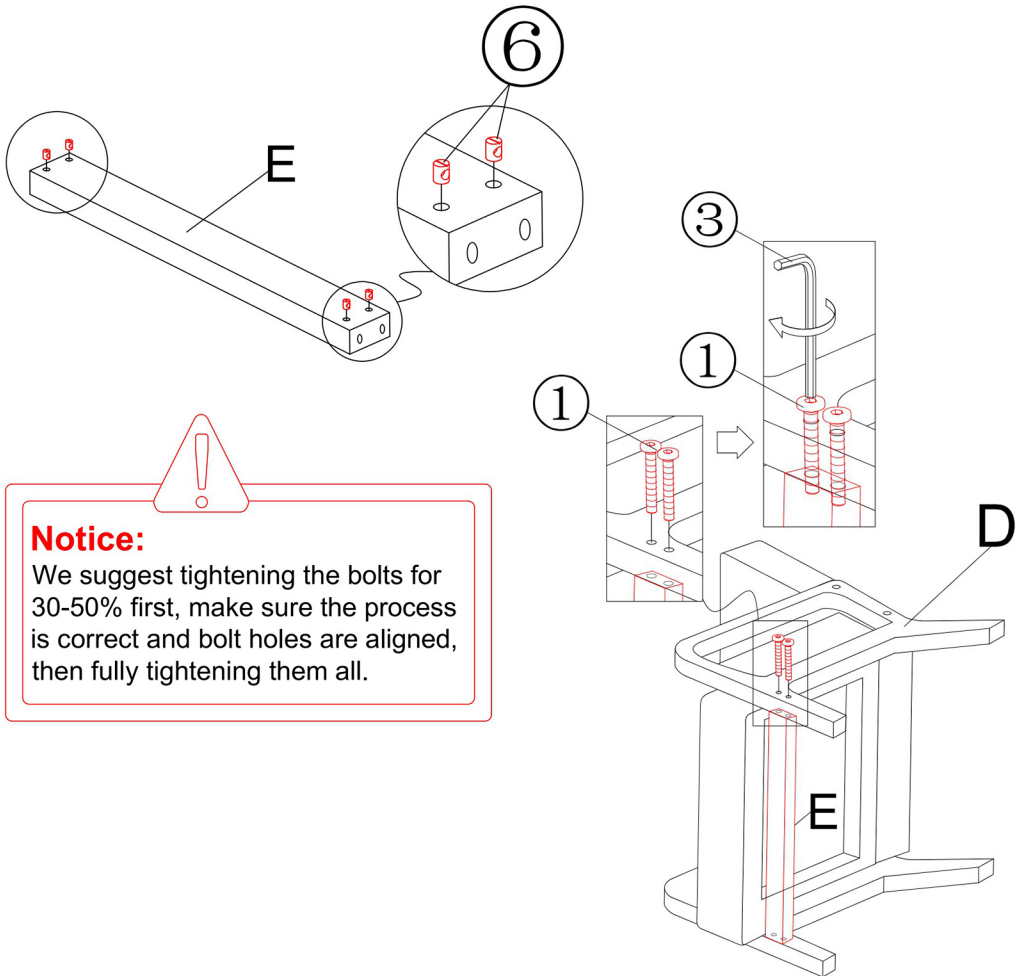


Notice:

We suggest tightening the bolts for 30-50% first, make sure the process is correct and bolt holes are aligned, then fully tightening them all.

step 5

Insert the vertical nuts (6) into the front transom (E) as shown, make sure the holes on vertical nuts are aligned with the holes on the sides of transom. Then install the transom to the seat frame as shown, use the bolt (1) to tighten the transom to both arms, use the allen wrench (3) provided to tighten the bolts, make sure all bolts are fully tightened.

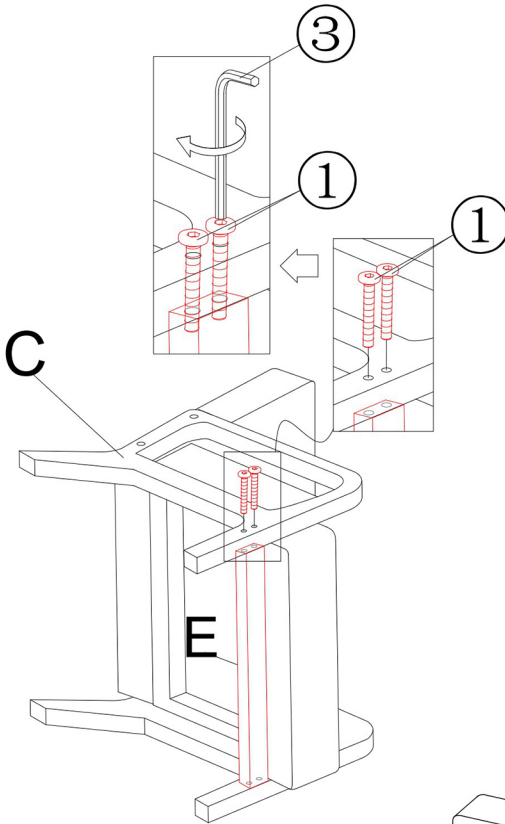


Notice:

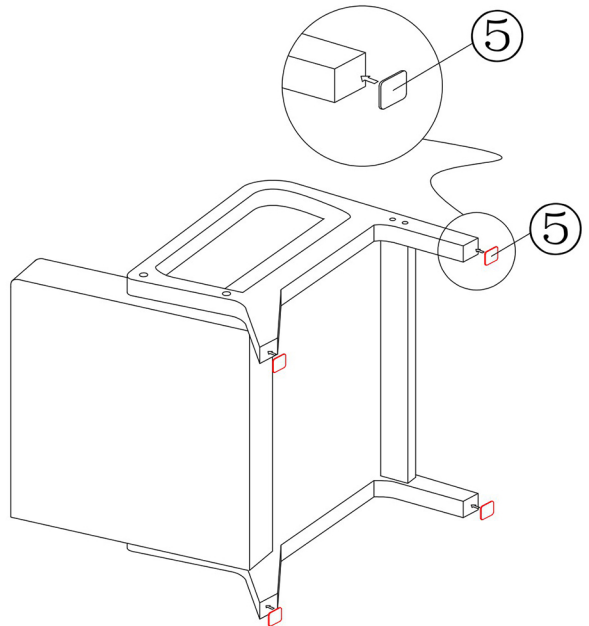
We suggest tightening the bolts for 30-50% first, make sure the process is correct and bolt holes are aligned, then fully tightening them all.

step 6

Use the bolt (1) to tighten the transom to both arms, use the allen wrench (3) provided to tighten the bolts, make sure all bolts are fully tightened. Stick on the antislip pads (5) onto the bottom of the legs as shown.



Notice:
We suggest tightening the bolts for 30-50% first, make sure the process is correct and bolt holes are aligned, then fully tightening them all.



step 7

Insert the plastic covers (4) into each holes of the bolt as shown.
Place the waist pillow, the assembly is complete.

