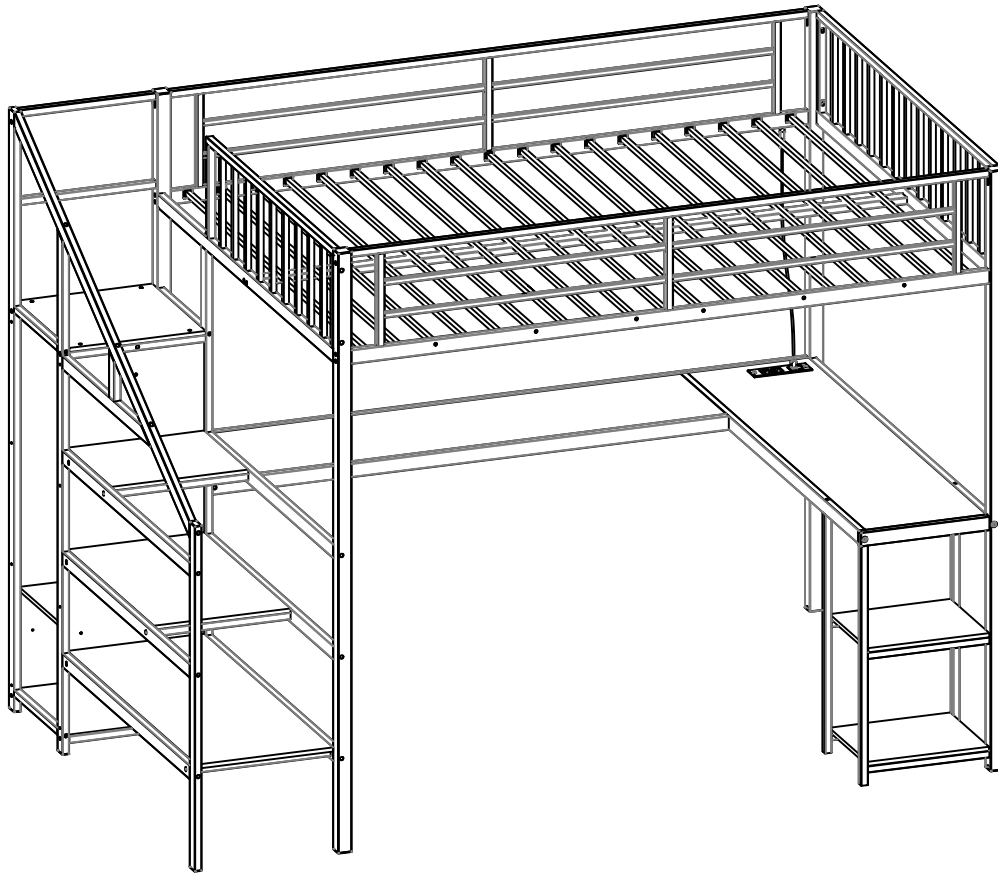


# FULL SIZE LOFT BED ASSEMBLY INSTRUCTIONS

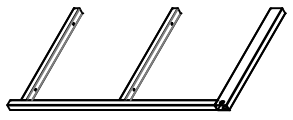




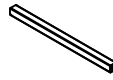
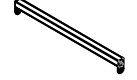
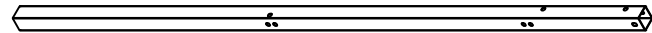

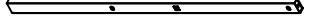
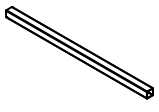
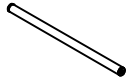

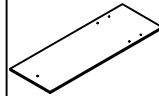
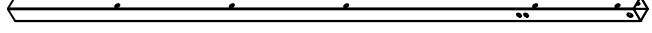


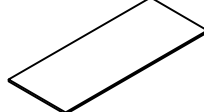
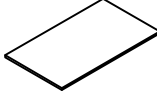
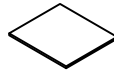
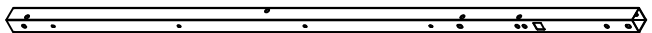
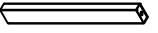
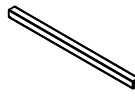
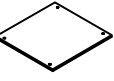
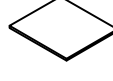
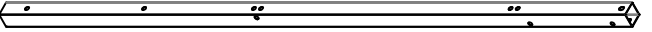






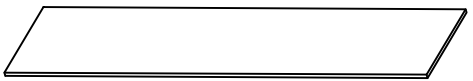

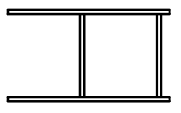


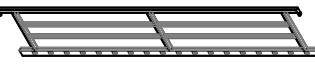
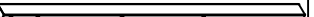
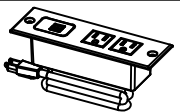
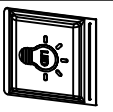


















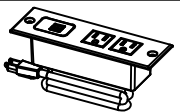
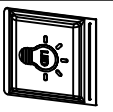


















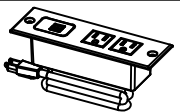
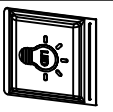


























## SAFETY WARNINGS AND GENERAL NOTES:

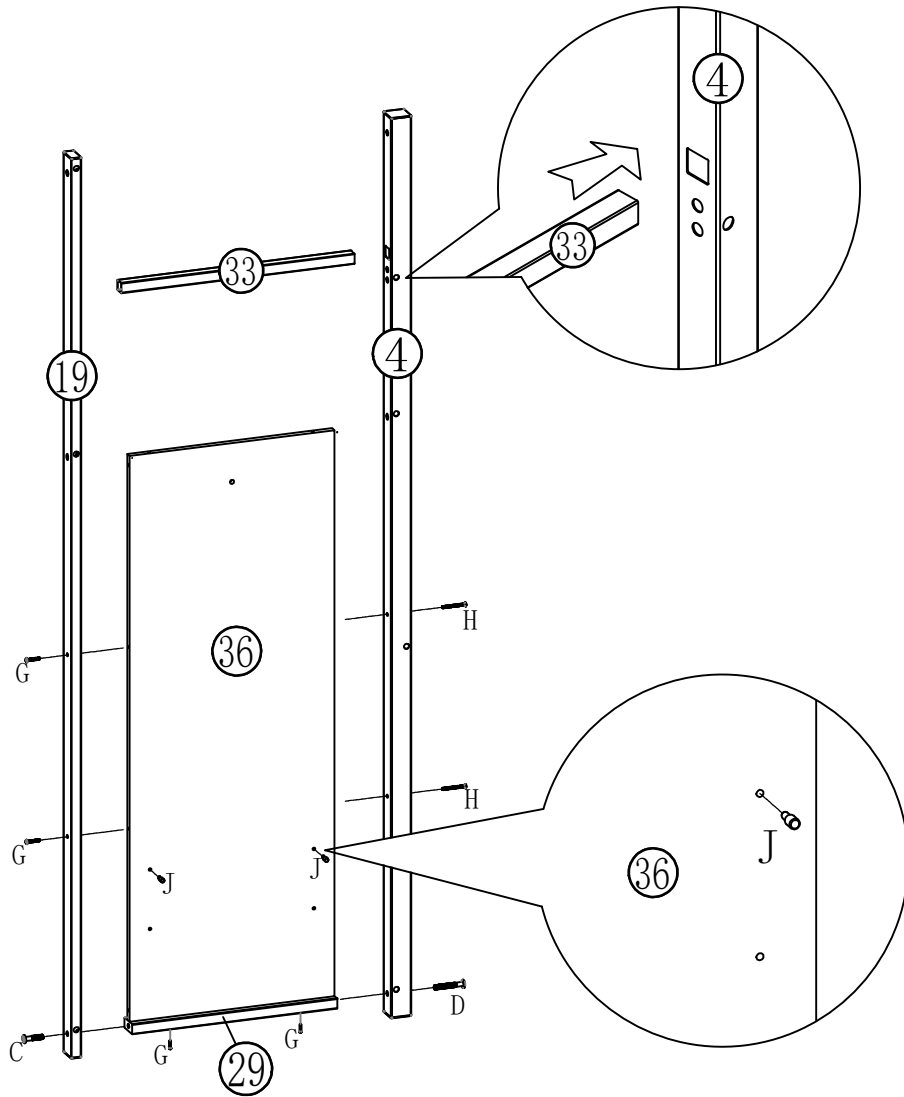
1. Follow the information on the warnings on the bunk bed end structure and on the carton. Do not remove the warning label from the bed.
  2. Always use the recommended size mattress on mattress support, or both, to help prevent the likelihood of entrapment or falls.
  3. Do not allow children under 6 years of age to use the upper bunk.
  4. Periodically check and ensure the guardrail, ladder and other components are in their proper position, free from damage, and all connectors are tight.
  5. Do not allow horseplay on or under beds.
  6. Always prohibit jumping on the bed.
  7. Prohibit more than one person on upper bunk.
  8. Always use the ladder for entering and leaving the upper bunk.
  9. Do not use substitute parts. Contact the manufacturer or dealer for replacement parts.
  10. Use of a night-tight may provide added safety precaution for a child using the upper bunk.
  11. Always use guardrails on both long sides of the upper bunk.
  12. If the bunk bed will be placed next to a wall, the guardrail that runs the full length of the bed should be placed against the wall to prevent entrapment between the bed and the wall.  
The use of water or sleep flotation mattresses is prohibited.
  13. **STRANGULATION HAZARD**-Never attach or hang items to any part of the bunk bed that are not designed for use with the bed; for example, but not limited to, hooks, belts and jump ropes.
  14. Keep these instructions for future reference.
  15. We recommend assembling your bunk bed on the shipping carton to protect your floor or carpet.
  16. Be certain all staples are out of the box before beginning assembly on the shipping carton.
  17. USE ONLY MATTRESSES WHICH ARE AS THE TABLE BELOW ON UPPER AND ON LOWER BUNKS.
- | Up bed (bunk bed and tribed included) |         |         |           |
|---------------------------------------|---------|---------|-----------|
| Mattress size                         | Length  | Width   | Thickness |
| Full Standard                         | 74"-75" | 53"-54" | 6"        |
18. SURFACE OF MATTRESS MUST BE AT LEAST 5"(127MM) BELOW THE UPPER EDGE OF GUARDRAILS.
  19. Replacement Parts:  
Replacement Parts, including additional guardrails, may be obtained from any of our dealers.



# Part List

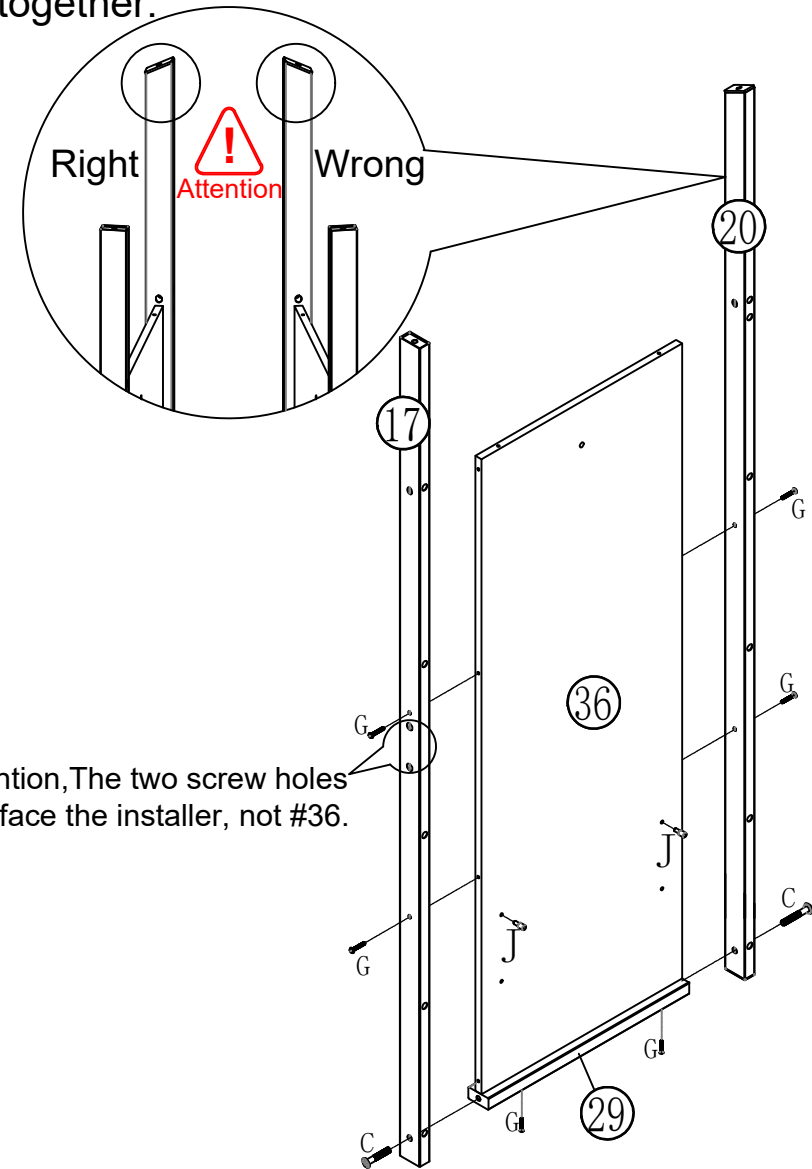
 1-1pcs		 15-6pcs	 24-2pcs	 29-2pcs	 30-2pcs	 31-5pcs	 32-1pcs																											
 2-1pcs		 16-8pcs	 25-2pcs	 33-1pcs	 34-1pcs	 35-1pcs	 36-2pcs																											
 3-1pcs		 17-1pcs	 26-2pcs	 37-2pcs		 38-1pcs	 39-1pcs																											
 4-1pcs		 18-1pcs	 27-6pcs	 40-1pcs		 41-2pcs																												
 5-1pcs		 19-1pcs	 28-3pcs	 42-1pcs																														
 6-1pcs	 10-1pcs	 20-1pcs	 43-1pcs		 44-2pcs	 45-1pcs																												
	 11-1pcs																																	
 7-1pcs	 12-2pcs	 21-1pcs	<h2>Hardware List</h2> <table border="1"> <tr> <td colspan="5"> P Socket 1pcs</td> <td colspan="4"> Q Light strips 1pcs</td> </tr> <tr> <td> A</td> <td> B</td> <td> C</td> <td> D</td> <td> E</td> <td> F 8*15 11PCS</td> <td> H 4*50-6PCS</td> <td> O</td> <td> L</td> </tr> <tr> <td> G 4*10 2PCS</td> <td> J 8*15 5PCS</td> <td> K 8*35 32PCS</td> <td> M 8*55 57PCS</td> <td> N 6*30 18PCS</td> <td> G 4*35-10PCS</td> <td> J 5*10-4PCS</td> <td> K 38PCS</td> <td> M Screwdriver</td> </tr> </table>					 P Socket 1pcs					 Q Light strips 1pcs				 A	 B	 C	 D	 E	 F 8*15 11PCS	 H 4*50-6PCS	 O	 L	 G 4*10 2PCS	 J 8*15 5PCS	 K 8*35 32PCS	 M 8*55 57PCS	 N 6*30 18PCS	 G 4*35-10PCS	 J 5*10-4PCS	 K 38PCS	 M Screwdriver
 P Socket 1pcs								 Q Light strips 1pcs																										
 A	 B	 C						 D	 E	 F 8*15 11PCS	 H 4*50-6PCS	 O	 L																					
 G 4*10 2PCS	 J 8*15 5PCS	 K 8*35 32PCS						 M 8*55 57PCS	 N 6*30 18PCS	 G 4*35-10PCS	 J 5*10-4PCS	 K 38PCS	 M Screwdriver																					
 8-1pcs	 13-1pcs	 22-1pcs																																
 9-1pcs	 14-13pcs	 23-1pcs																																

Step 1: Use hardware L,M,C,D,H,G and J to connect #4, #19,#29,#33 and #36 together.



4-1pcs	33-1pcs	H 4*50-2PCS	C 8*35-1PCS	D 8*55-1PCS	L
19-1pcs	36-1pcs	G 4*35-4PCS	J*2PCS	M	
29-1pcs					

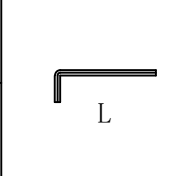
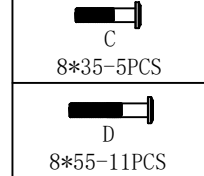
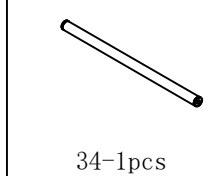
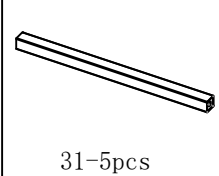
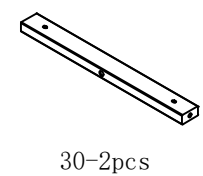
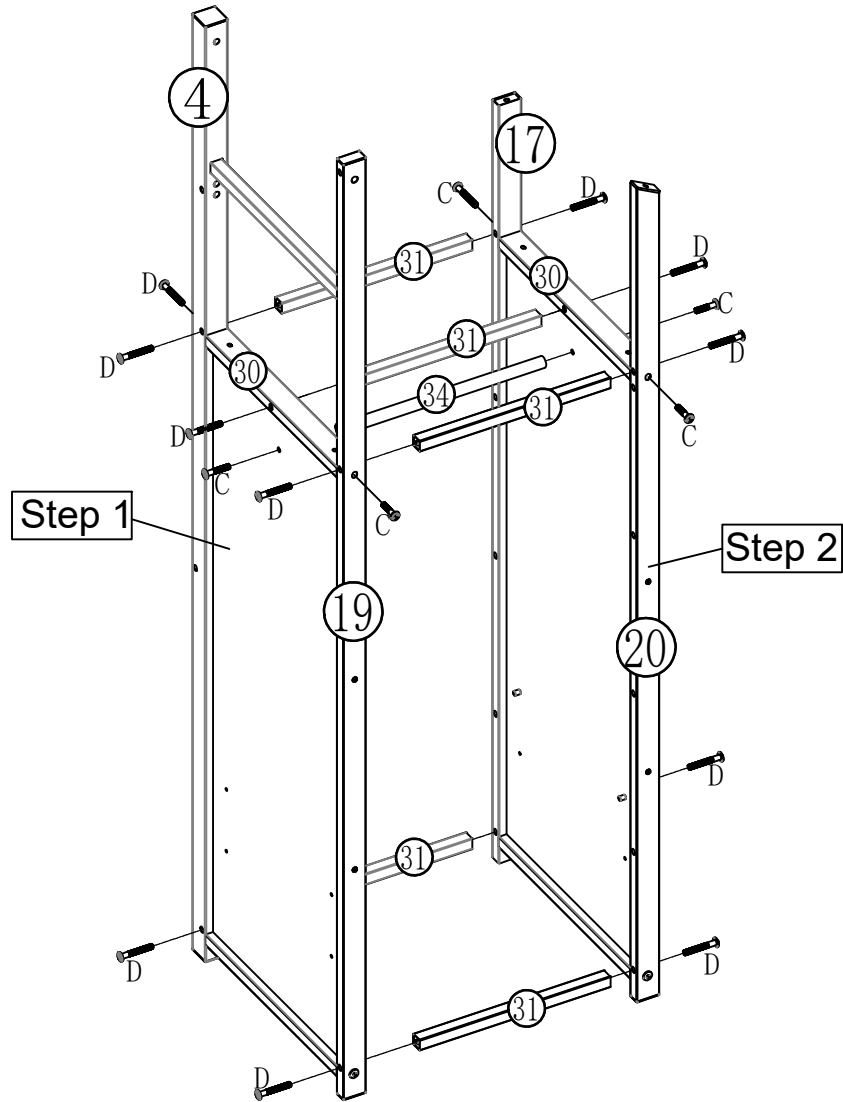
Step 2: Use hardware L,M,C,G and J to connect #17,#20, #29 and #36 together.



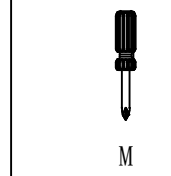
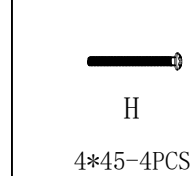
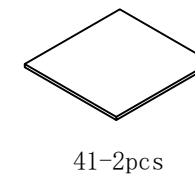
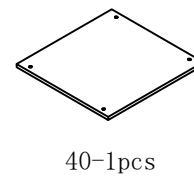
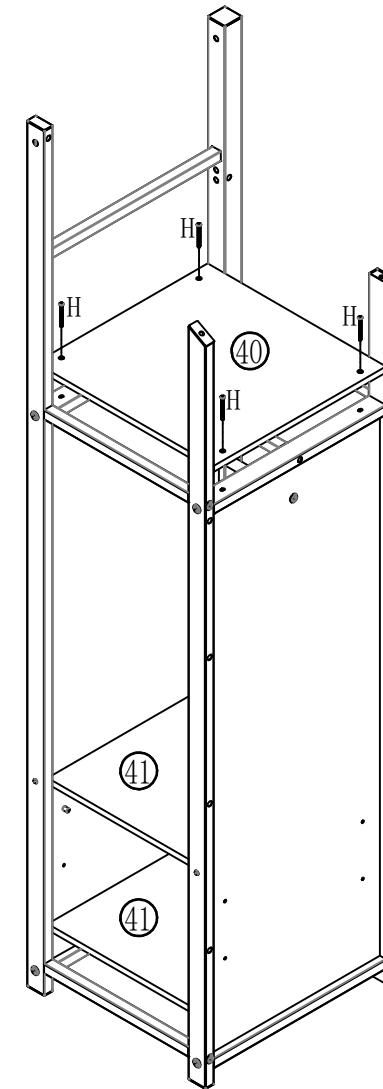
Attention, The two screw holes should face the installer, not #36.

17-1pcs	29-1pcs	C 8*35-2PCS	J*2PCS	L
20-1pcs	36-1pcs	G 4*25-6PCS	M	

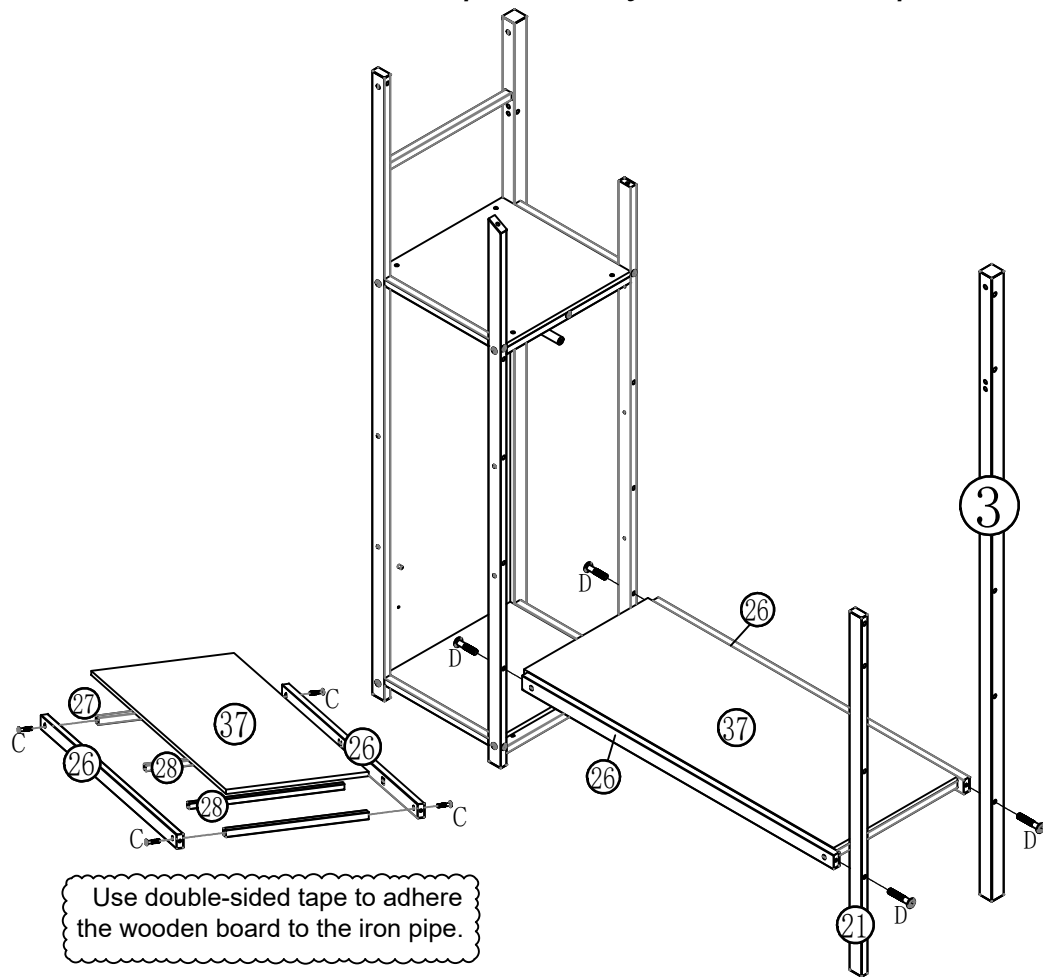
Step 3: Use hardware L,C,D to connect #Step 2,#Step 3 and #30,#31,#34 together.



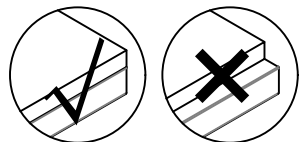
Step 4: Use hardware M、H to connect #40 and #41 to the previously installed components.



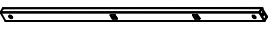
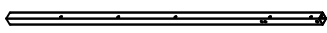

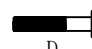
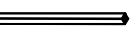
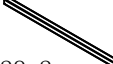

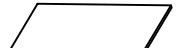


Step 5: Use hardware L、M、O、C、D to connect #26、  
#27、 #28 and #37 to the previously installed components.



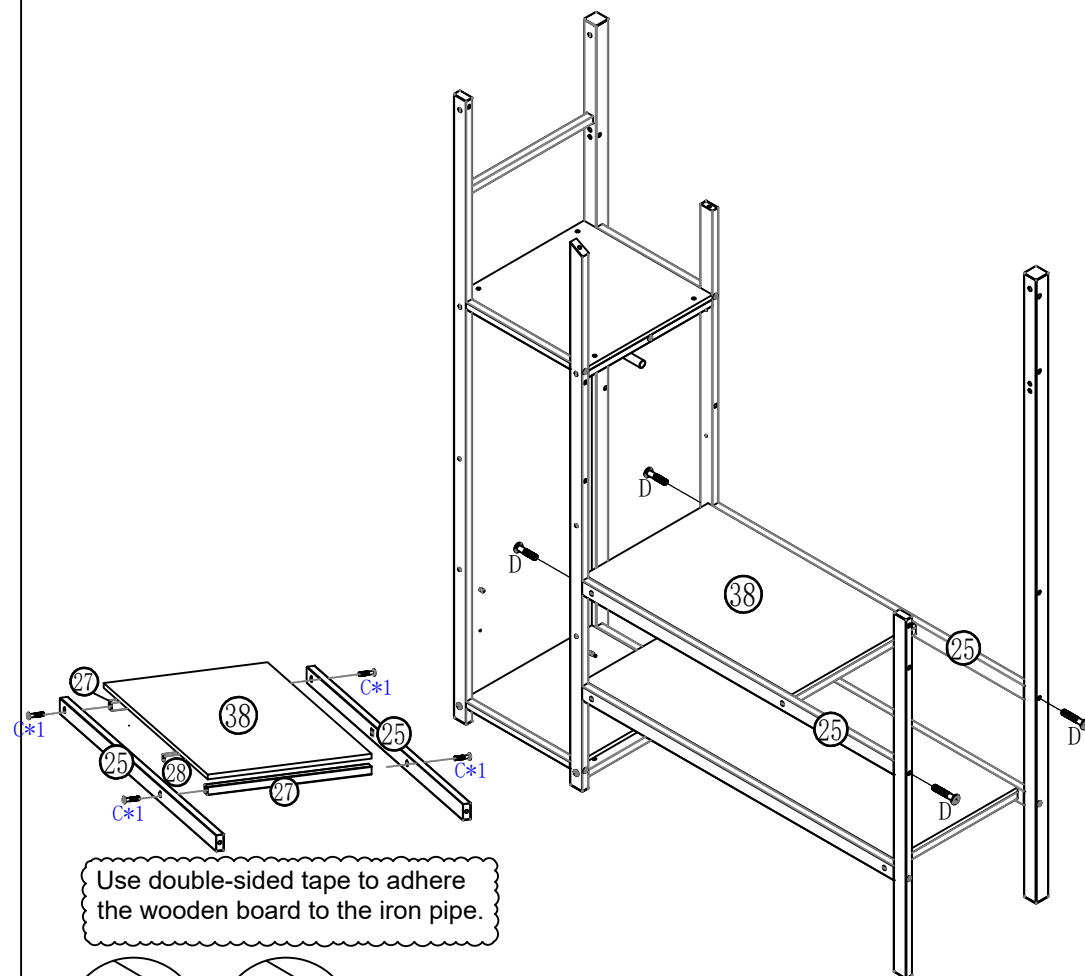
Use double-sided tape to adhere the wooden board to the iron pipe.



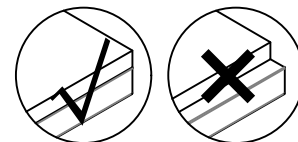
27# edge and 37# should be placed in the same plane mounting.

 26-2pcs	 3-1pcs	 O	 D 8*55-4PCS
 27-2pcs	 28-2pcs	 21-1pcs	 36-1pcs
 C 8*35-4PCS	 L		

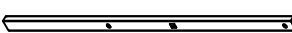
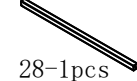

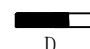
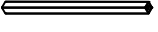
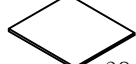


Step 6: Use hardware L、M、O、C、D to connect #25、  
#27、 #28 and #38 to the previously installed components.



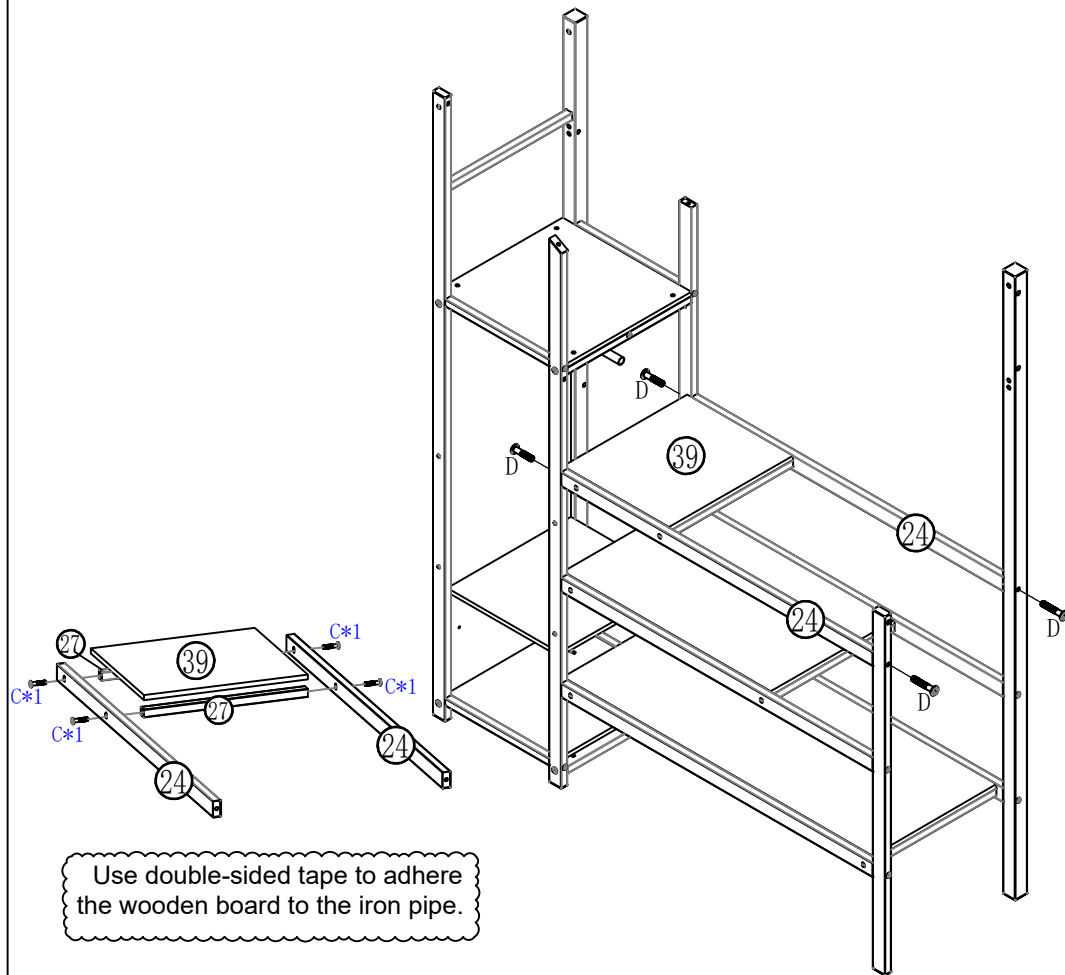
Use double-sided tape to adhere the wooden board to the iron pipe.



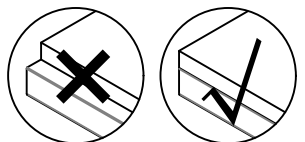
27# edge and 38# should be placed in the same plane mounting.

 25-2pcs	 28-1pcs	 O	 D 8*55-4PCS
 27-2pcs	 38-1pcs	 C 8*35-4PCS	 L

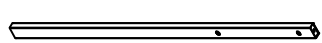
Step 7: Use hardware L、M、A、O、D to connect #24、  
#27 and #39 to the previously installed components.



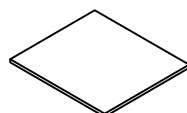
Use double-sided tape to adhere the wooden board to the iron pipe.



27# edge and 39# should be placed in the same plane mounting.



24-2pcs



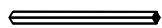
39-1pcs



8\*35-4PCS



8\*55-4PCS

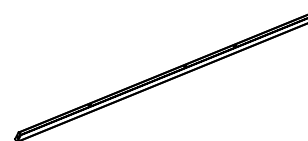
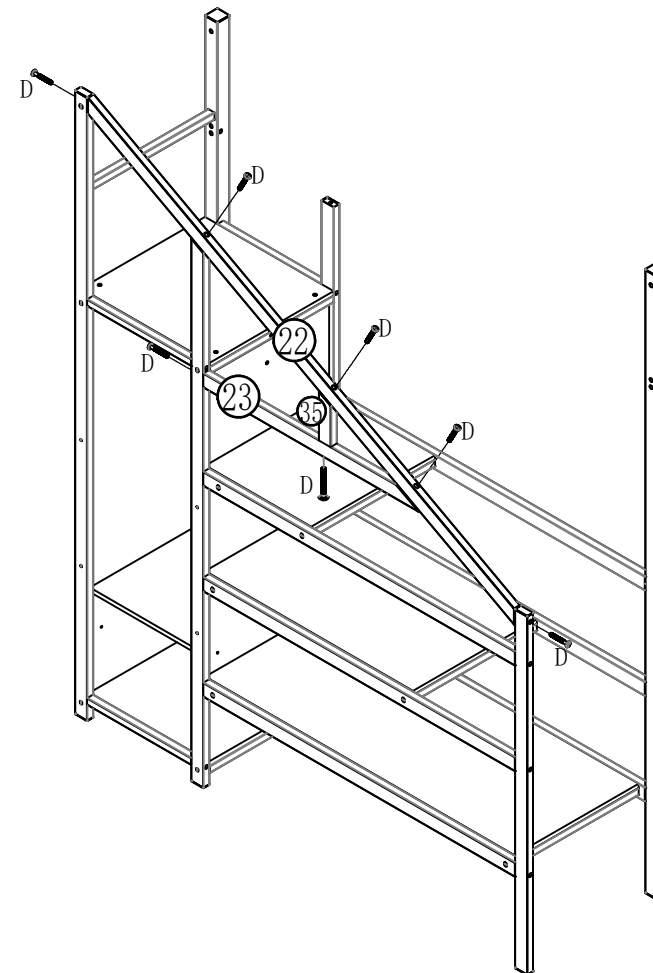


27-2pcs

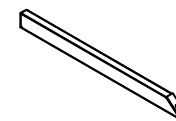


L

Step 8: Use hardware L、D to connect #22,#23 and #35 to the previously installed components.



22-1pcs



23-1pcs



35-1pcs

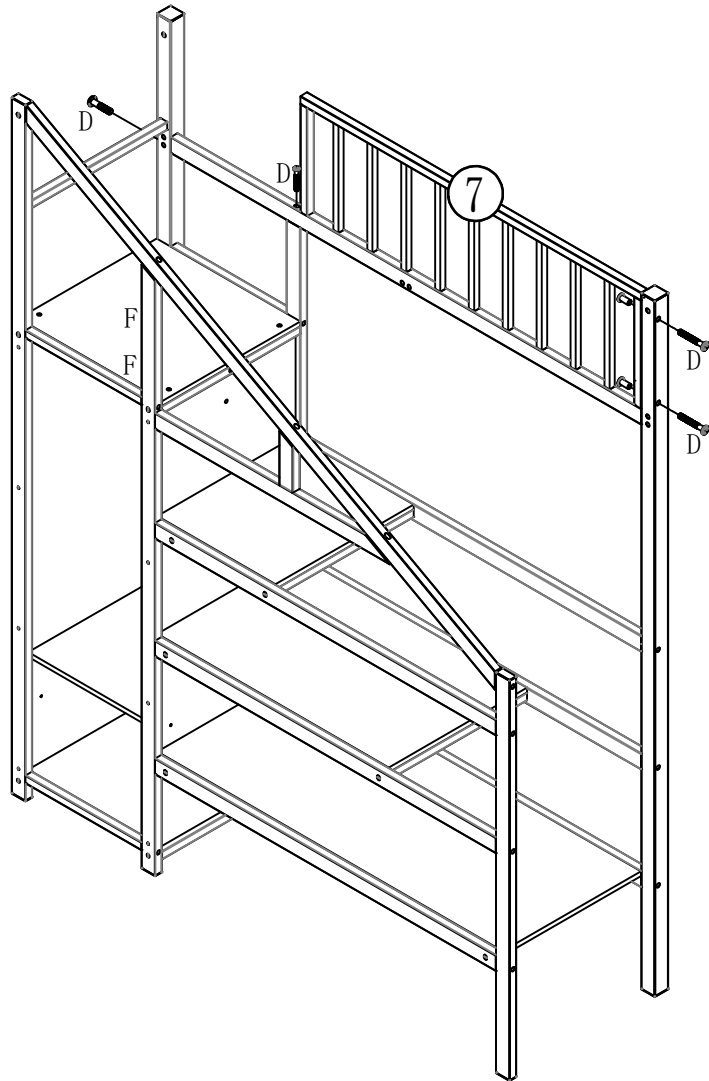


8\*55-7PCS

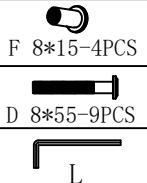
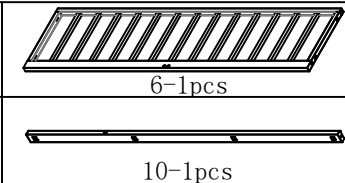
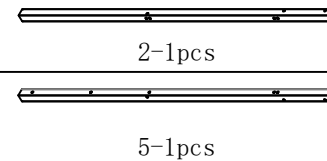
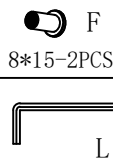
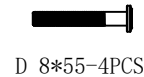
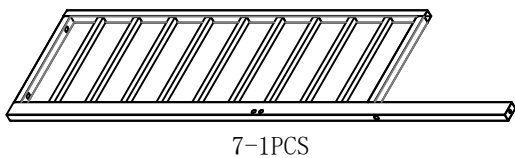
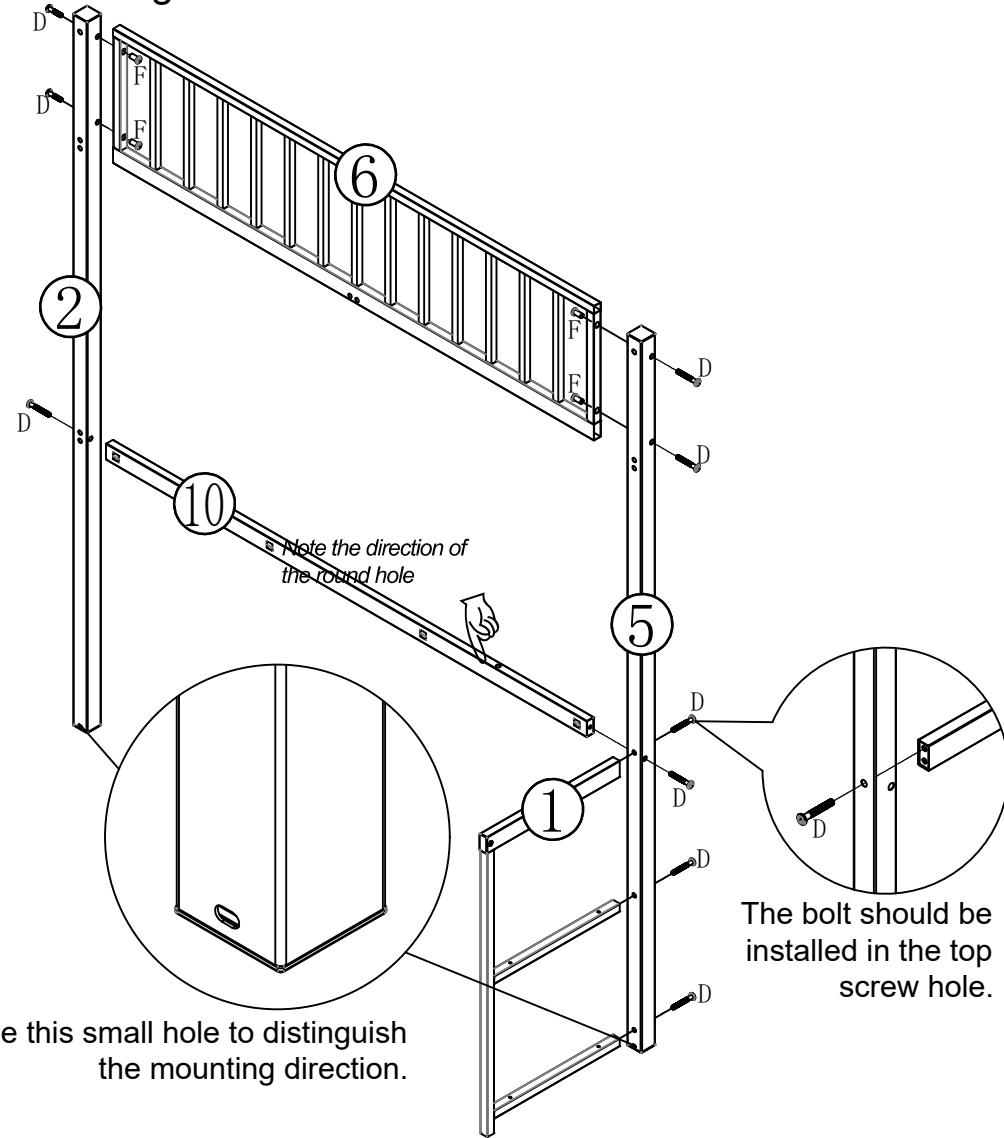


L

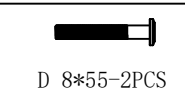
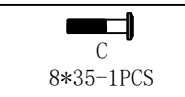
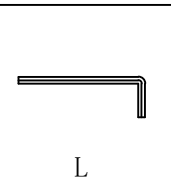
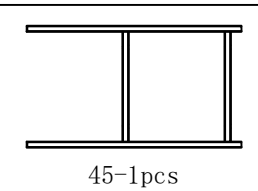
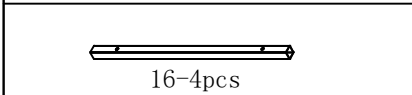
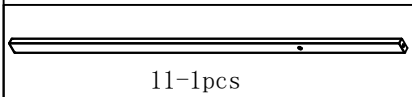
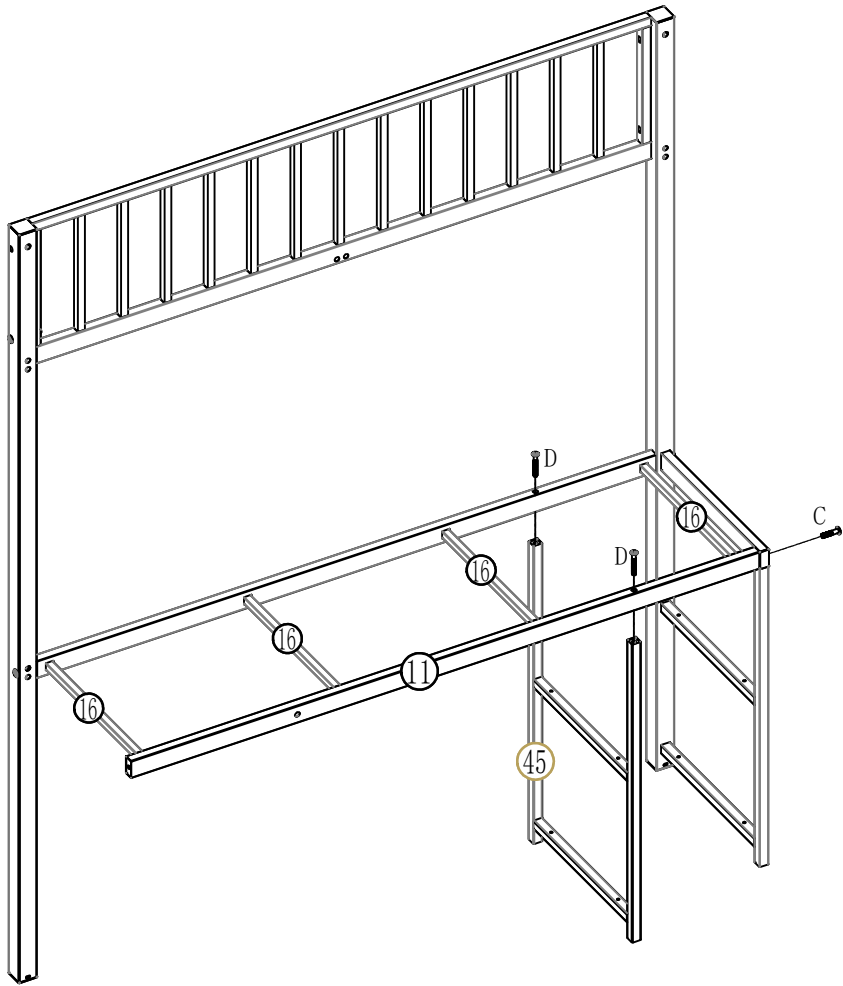
Step 9: Use hardware L、C、D、F to connect #7 to the previously installed components.



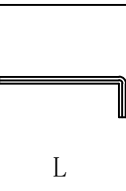
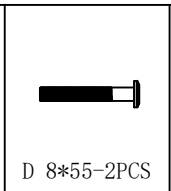
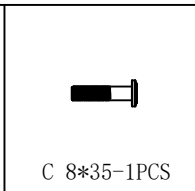
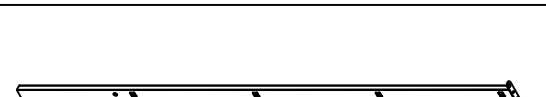
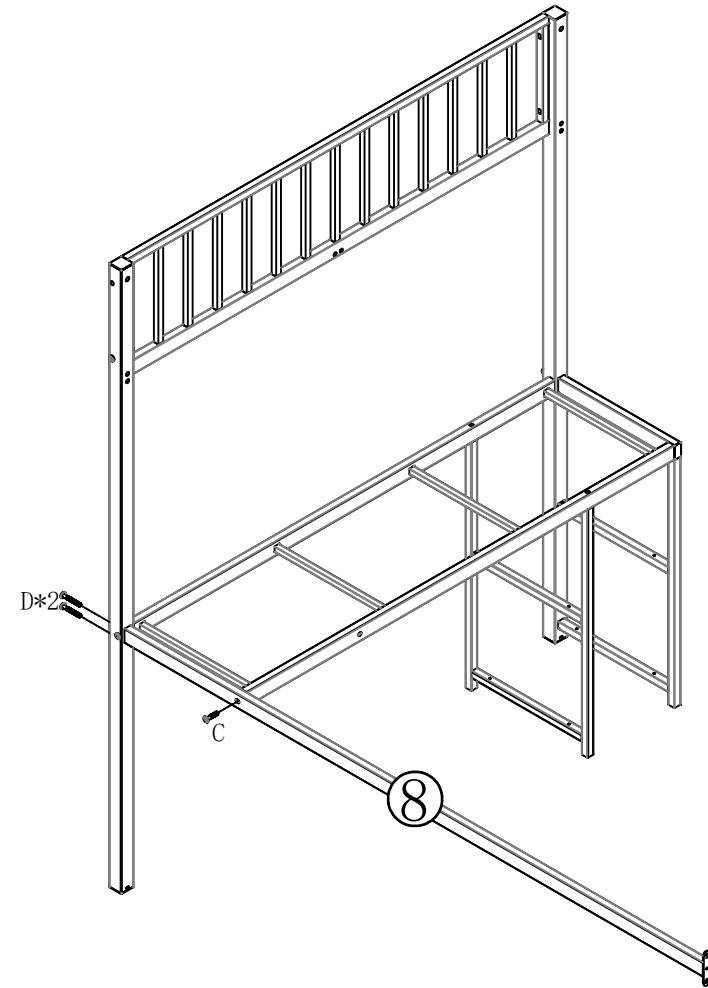
Step 10: Use hardware L,C,D and F to connect #1,#2,#5,#6 and #10 together.



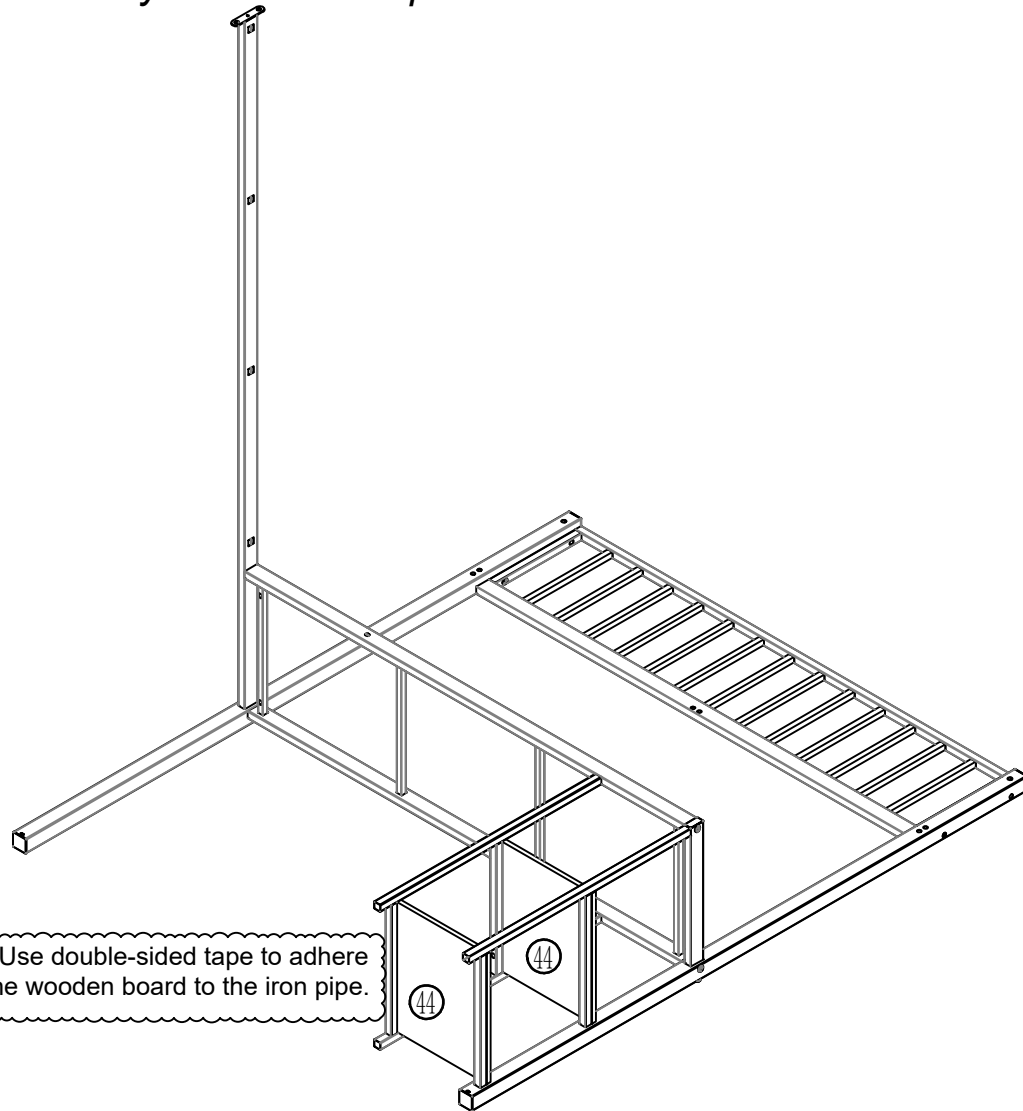
Step 11: Use hardware L、D to connect #11,#16 and #45 to the previously installed components.



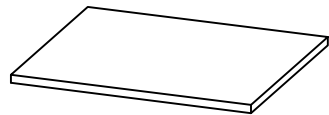
Step 12: Use hardware L、C、D to connect #8 to the previously installed components.



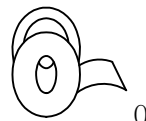
Step 13: Use hardware M、O to connect #44 to the previously installed components.



Use double-sided tape to adhere the wooden board to the iron pipe.

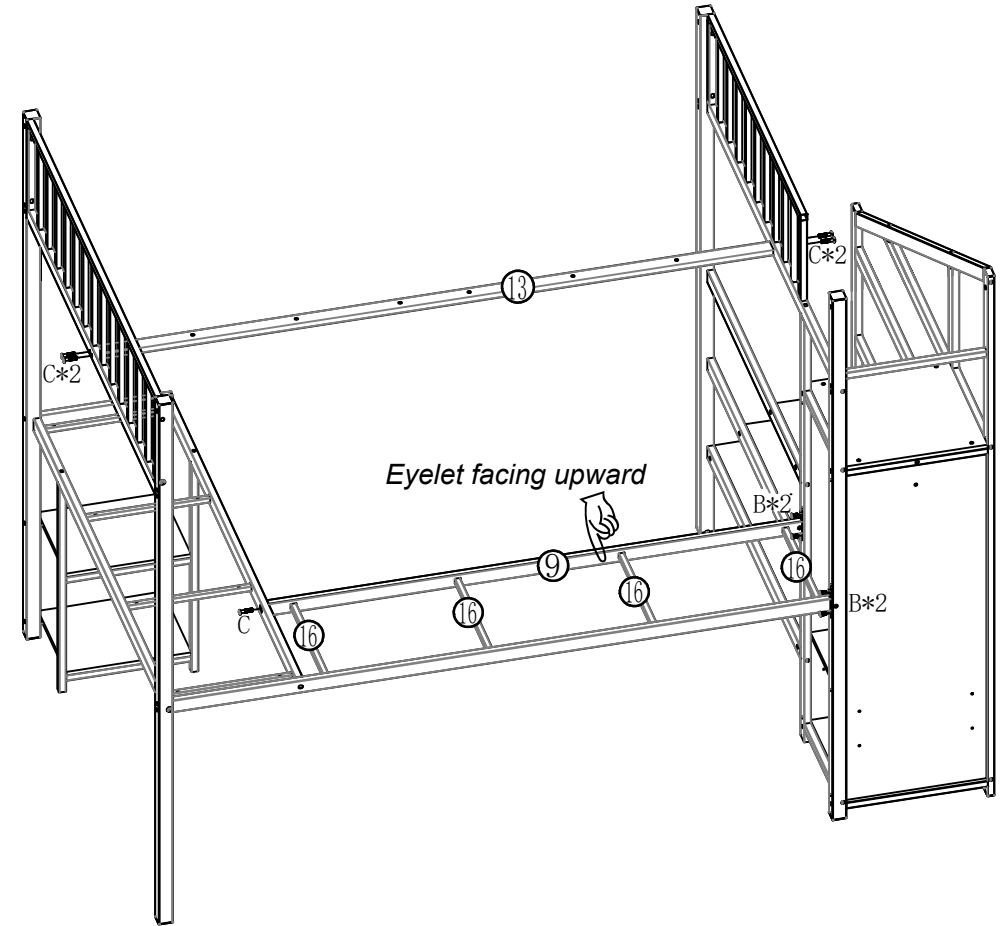


44-2pcs

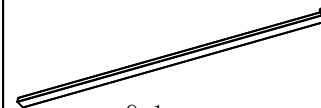


O

Step 14: Use hardware L、B、C to connect #9、#13 and #16 to the previously installed components.



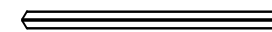
Eyelet facing upward



9-1pcs



13-1pcs



16-4pcs



L

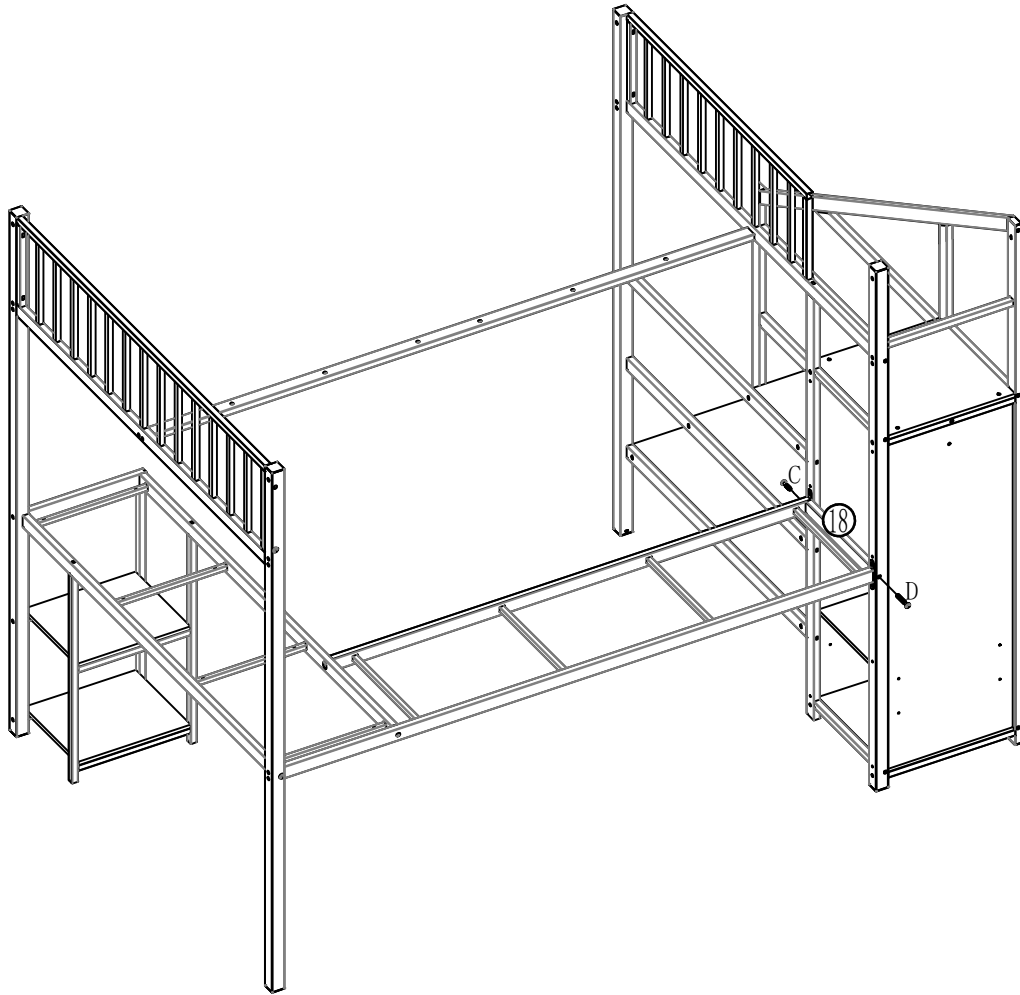


B  
8\*15-4PCS

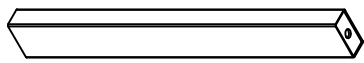
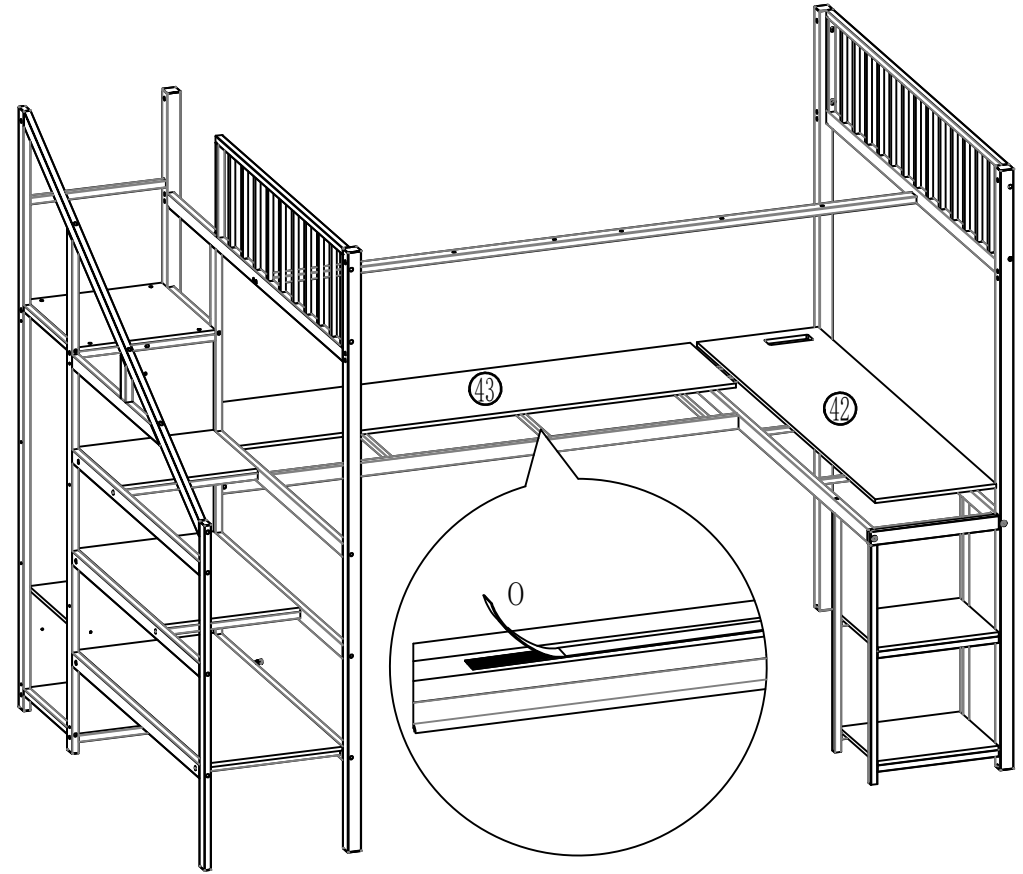


C 8\*35-5PCS

Step 15: Use hardware L、C、D to connect #18 to the previously installed components.



Step 16: Use hardware M、O to connect #42 and #43 to the previously installed components.



18-1pcs



L

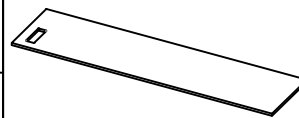


C

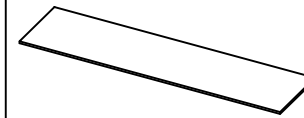
8\*35-1PCS



D 8\*55-1PCS



42-1pcs

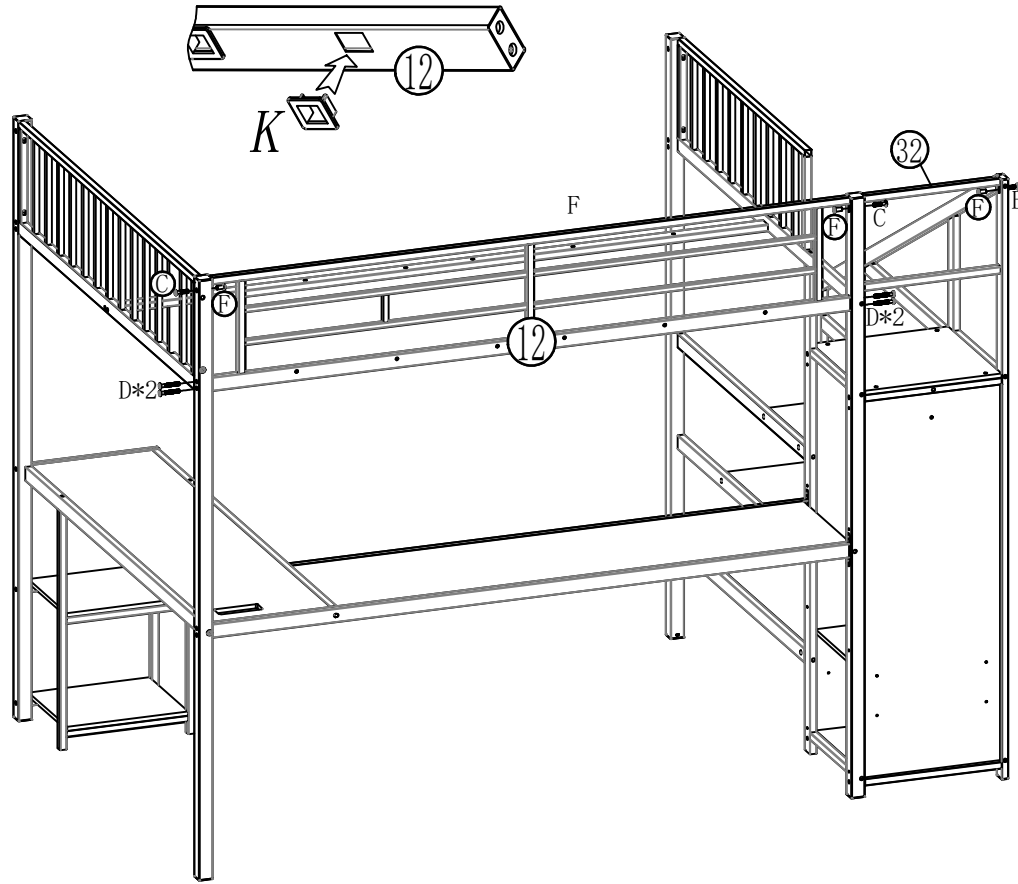


43-1pcs

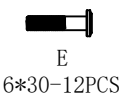
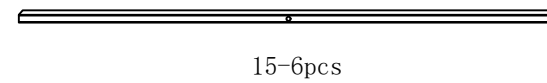
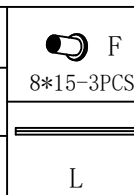
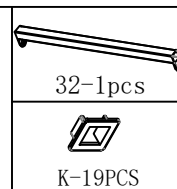
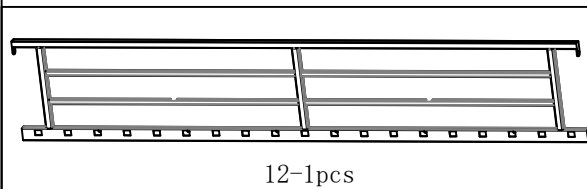
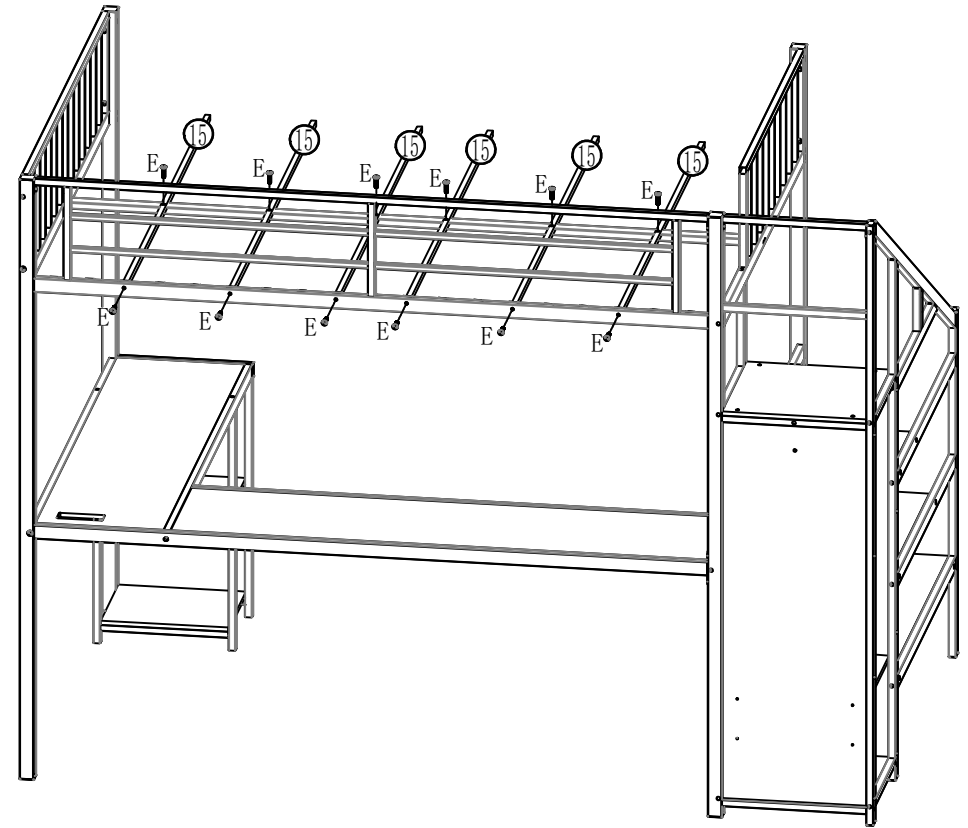


O

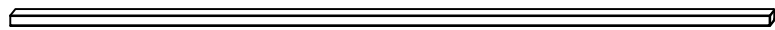
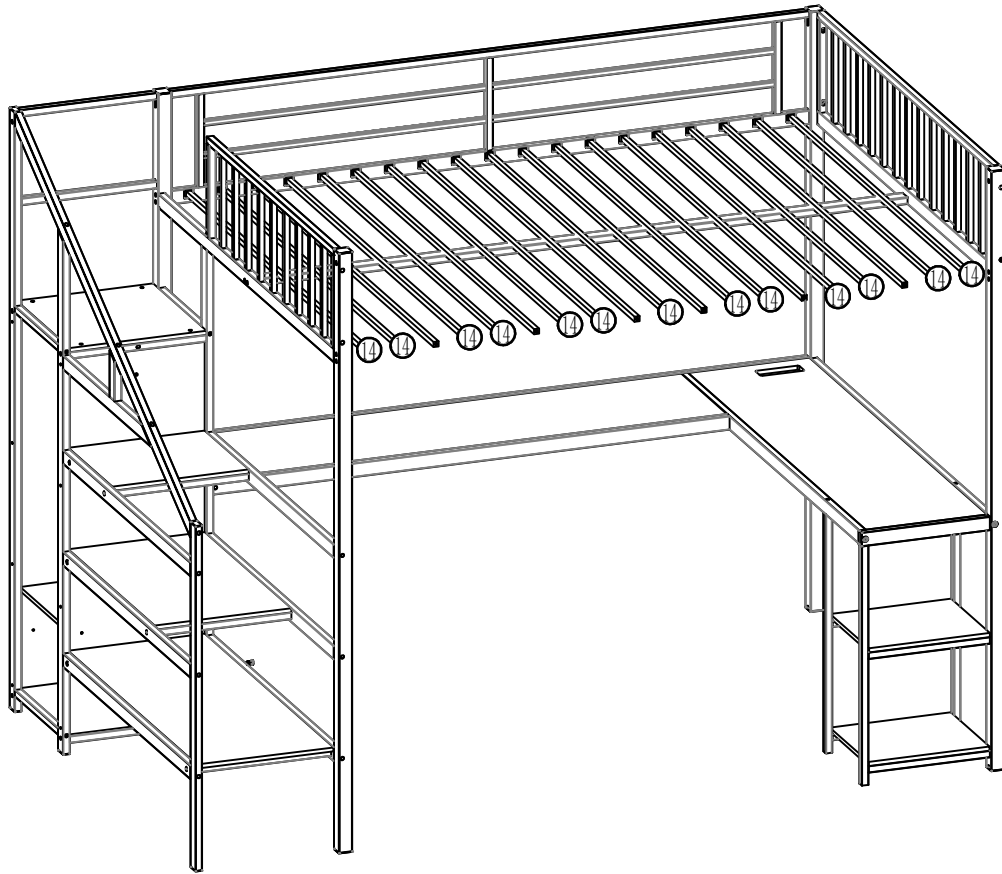
Step 17: Install part #K to parts #12, then Use hardware L、C、D、F to connect #12 to the previously installed components.



Step 18: Use hardware L、E to connect #15 to the previously installed components.

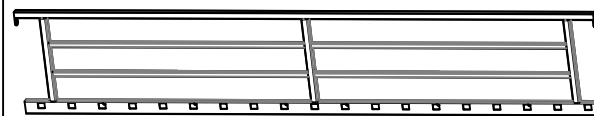
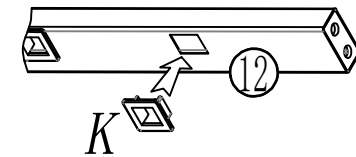
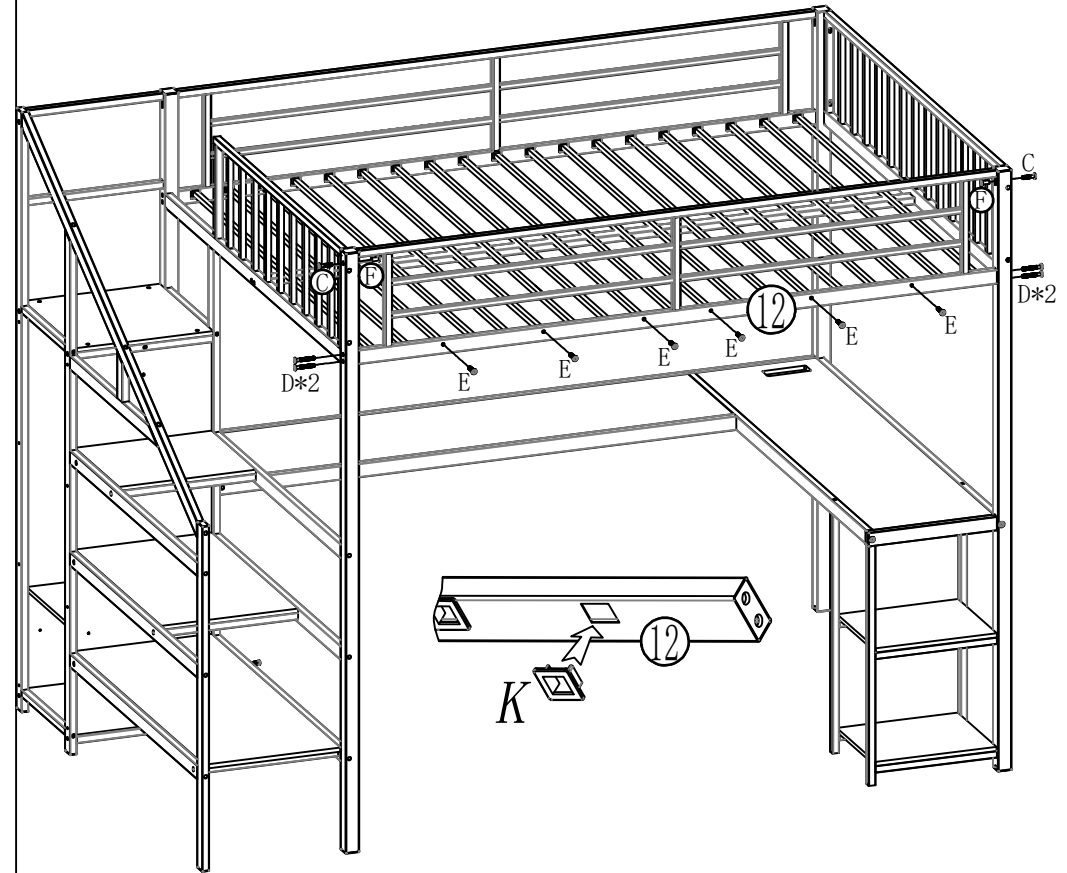


Step 19: Connect #14 to the previously installed components.



14-13pcs

Step 20: Install part #K to parts #12, then Use hardware L、C、D、F to connect #12 to the reviously installed components.



12-1pcs



K-19PCS



C 8\*35-2PCS



F 8\*15-2PCS



L

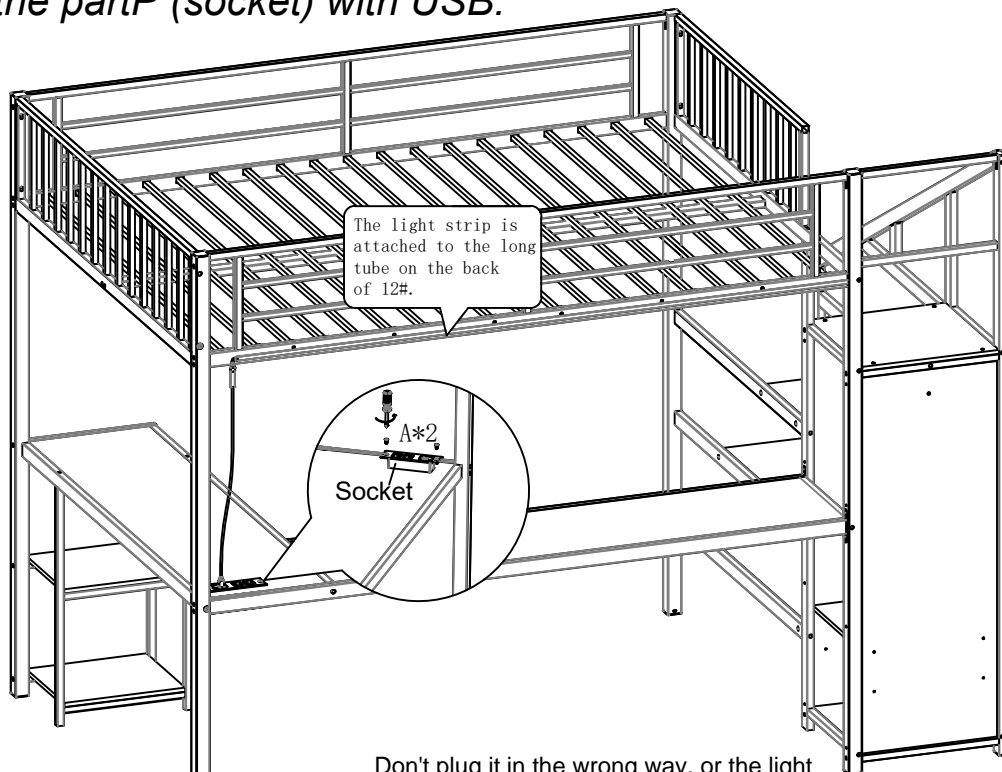


D 8\*55-4PCS

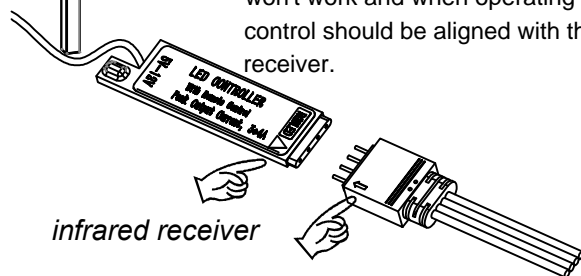


E 6\*30-6PCS

Step 21: First Use hardware M、A install #P to #41 and then Stick part Q (light strip) at back of #12 and connect the partP (socket) with USB.



Don't plug it in the wrong way, or the light won't work and when operating the remote control should be aligned with the infrared receiver.



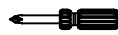
P  
Socket-1pcs



Q  
Light strips  
1pcs

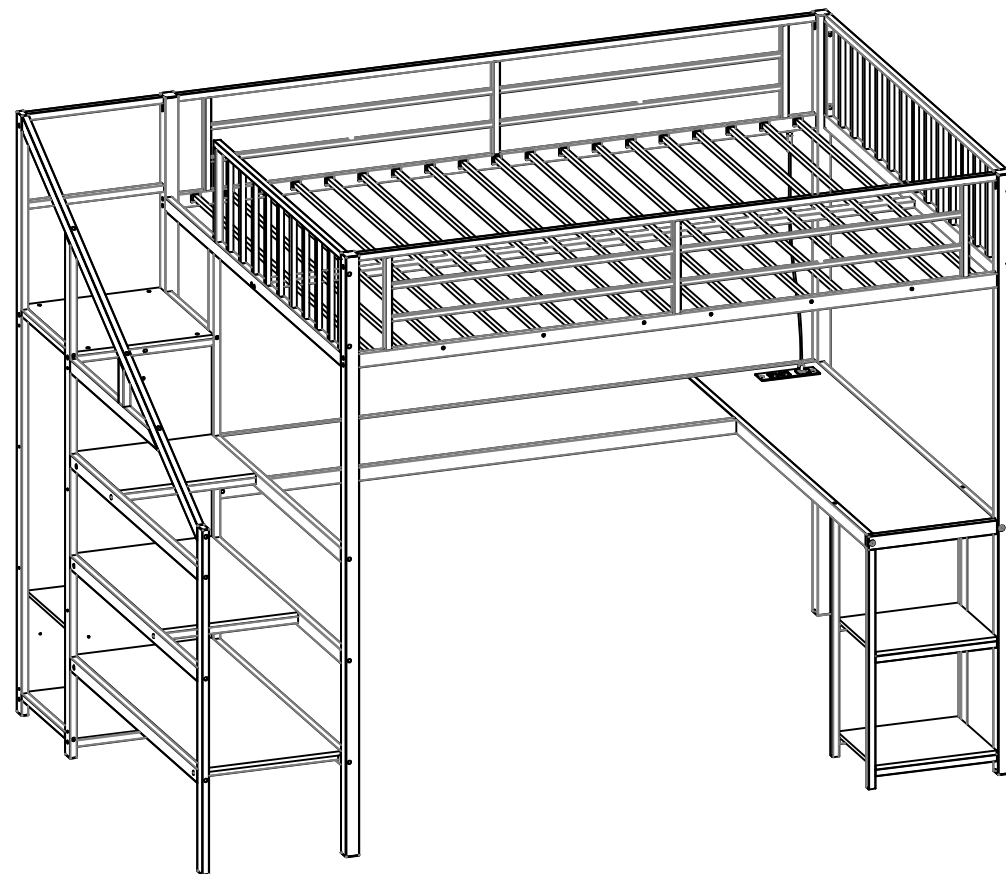


A 4\*10-2PCS



M

## Completed loft bed



Please make sure all bolts are fastened before use, thank you.