

ASSEMBLY INSTRUCTIONS



Fine Furniture for every stage of life

Eastern King Bed

ASSEMBLY INSTRUCTIONS

ASSEMBLY TIPS:

1. Remove hardware from box and sort by size.
2. Please check to see that all hardware and parts are present prior to start of assembly.
3. Please follow attached instructions in the same sequence as numbered to assure fast & easy assembly.



WARNING!

1. Don't attempt to repair or modify parts that are broken or defective. Please contact the store immediately.
2. This product is for home use only and not intended for commercial establishments.

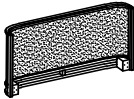




ASSEMBLY TIME

30 MINUTES

PARTS IDENTIFICATION


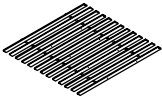



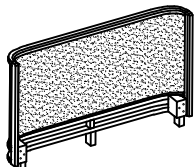

B1 (BOX 1)

A	HEADBOARD PANEL		1PC		B	HEADBOARD LEG		3PCS
C	CONCEAL PANEL		4PCS					

B2 (BOX 2)

D	FOOTBOARD		1PC
---	-----------	---	-----

B3 (BOX 3)

E	BED RAIL		2PCS		F	ROLL SLAT (13PCS)		1SET
G	CENTER RAIL		1PC		H	BED SLAT SUPPORT WITH LEVELER		10PCS
I	CENTER RAIL SUPPORT WITH LEVELER		3PCS					
HB	FROM BOX 1 HEADBOARD COMPLETE		1PC		FB	FROM BOX 2 FOOTBOARD		1PC

NOTE:

Phillips head screw driver is required in the assembly process; however, manufacturer does not provide this item.

ASSEMBLY INSTRUCTIONS

ASSEMBLY TIPS:

1. Remove hardware from box and sort by size.
2. Please check to see that all hardware and parts are present prior to start of assembly.
3. Please follow attached instructions in the same sequence as numbered to assure fast & easy assembly.






WARNING!



1. Don't attempt to repair or modify parts that are broken or defective. Please contact the store immediately.
2. This product is for home use only and not intended for commercial establishments.

HARDWARE IDENTIFICATION

BOX 3 - HARDWARE PACK

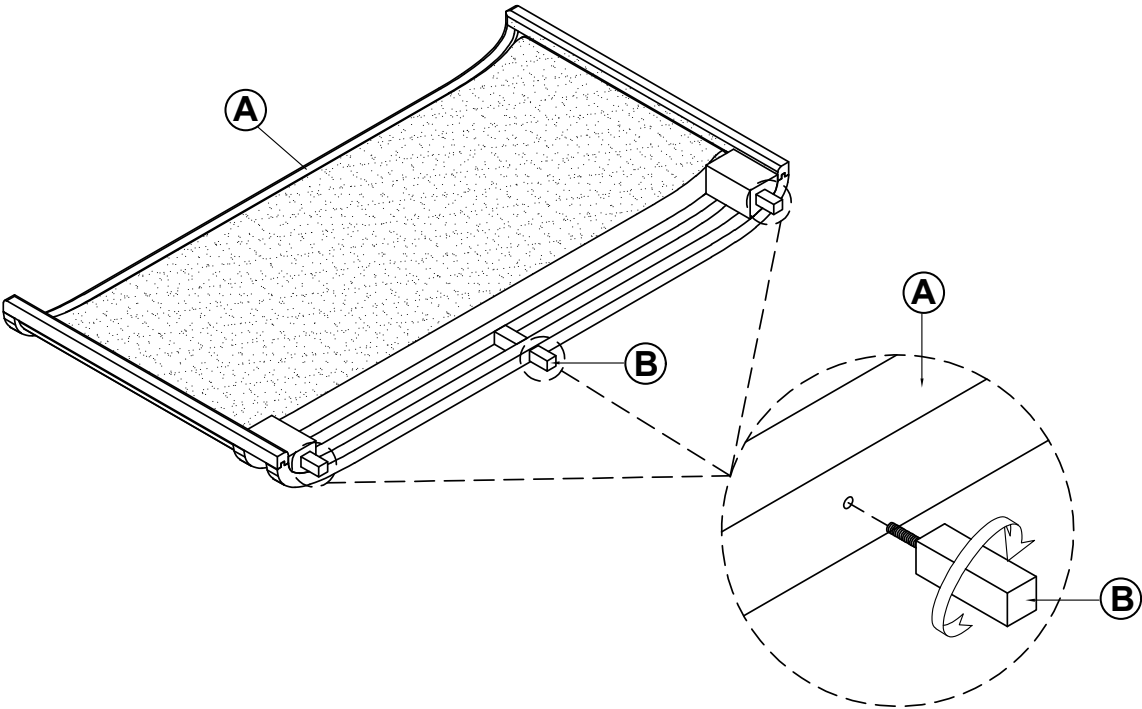
1	BOLT (\varnothing 5/16" x 45MM- RBW)		12PCS	4	ALLEN WRENCH (4MM - RBW)		1PC
2	LOCK WASHER (\varnothing 5/16" - RBW)		12PCS	5	FLAT HEAD SCREW (\varnothing 4 x 30MM - RBW)		15PCS
3	FLAT WASHER (\varnothing 5/16" - RBW)		12PCS				

NOTE:

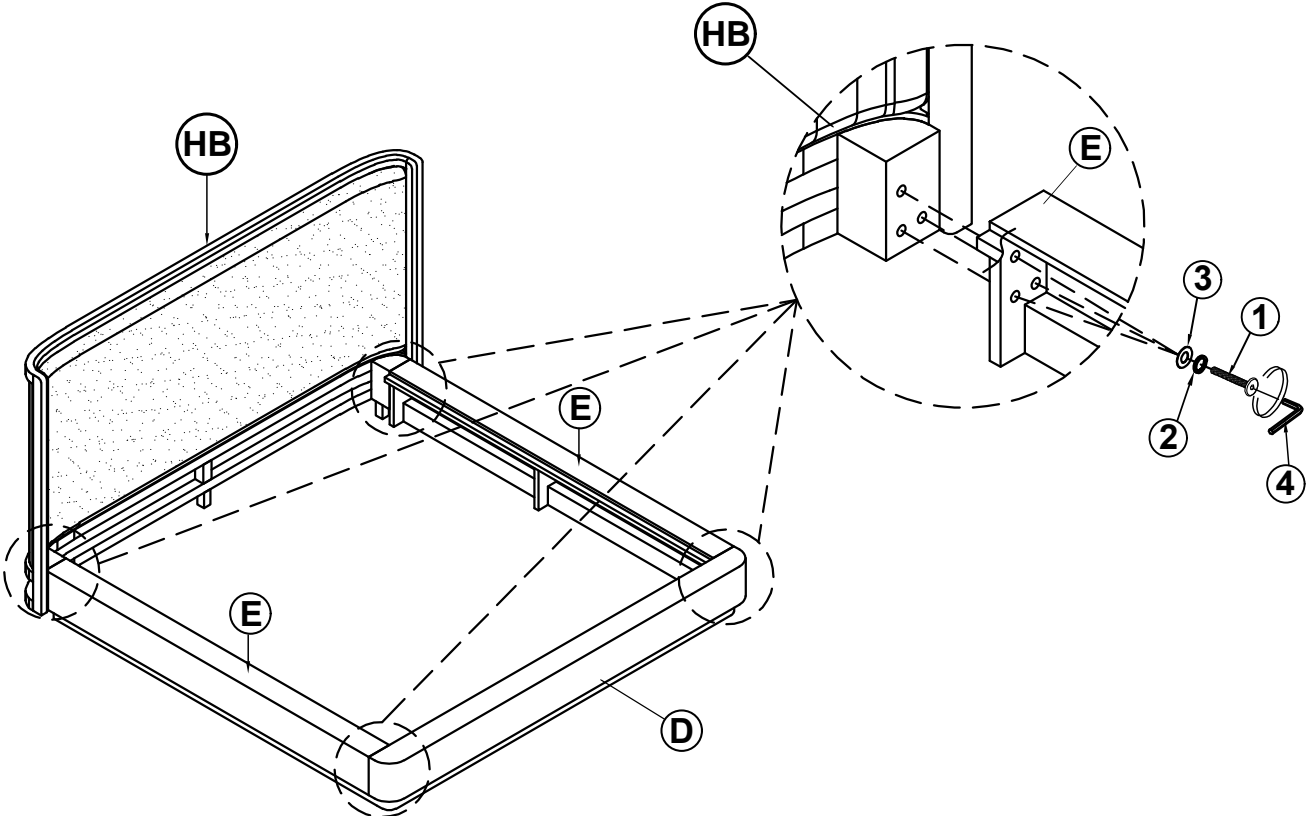
Phillips head screw driver is required in the assembly process; however, manufacturer does not provide this item.

ASSEMBLY INSTRUCTIONS

STEP 1

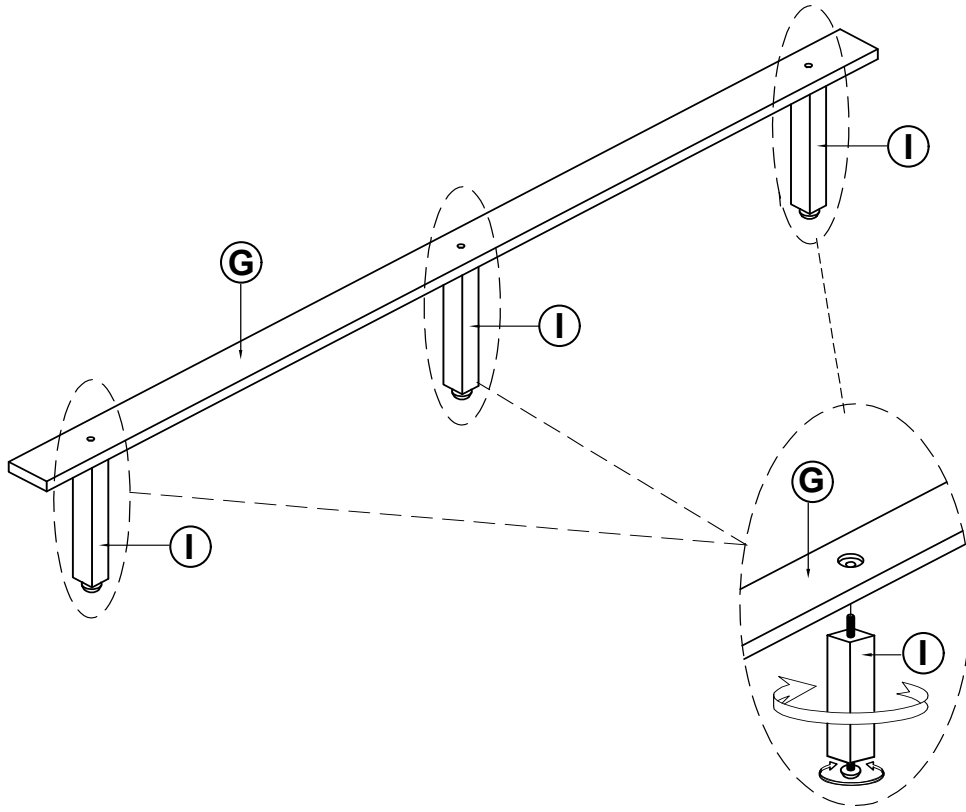


STEP 2

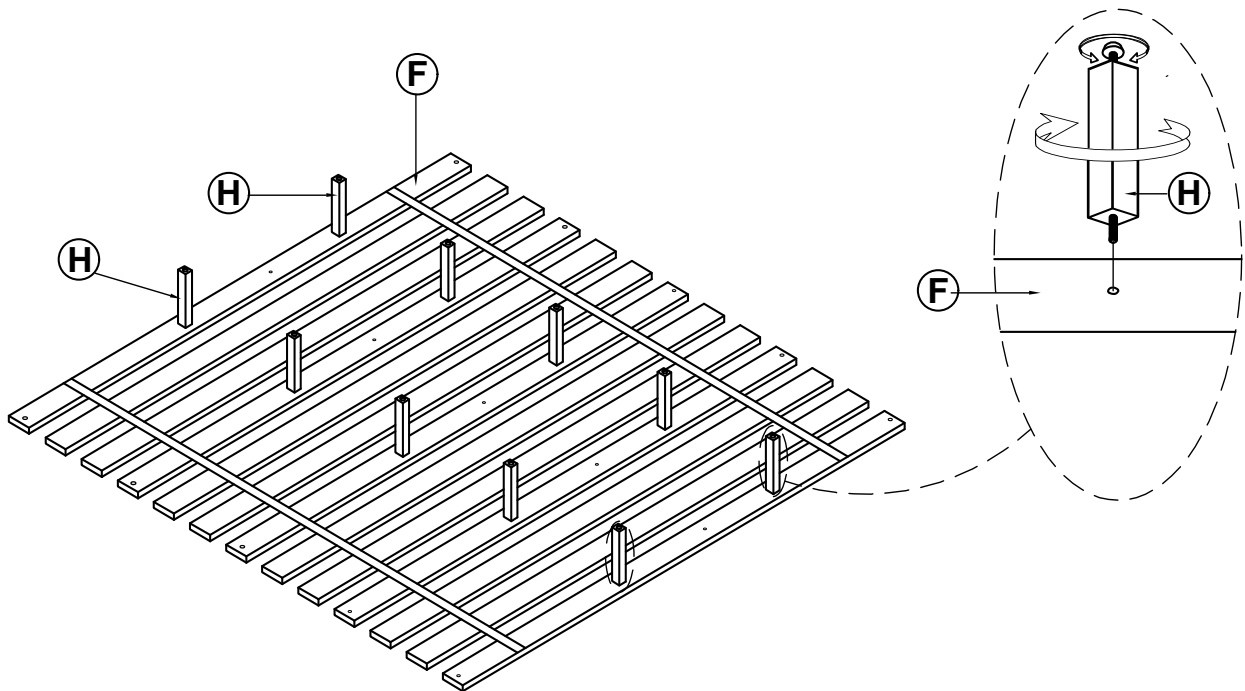


ASSEMBLY INSTRUCTIONS

STEP 3

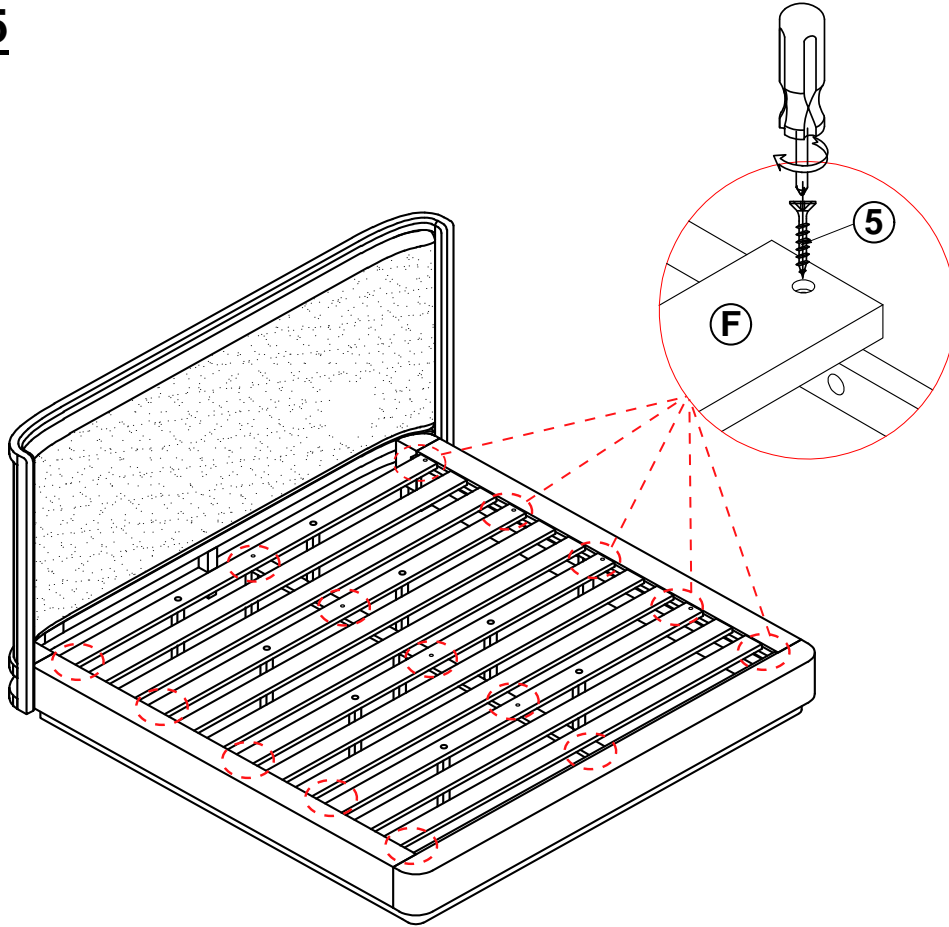


STEP 4

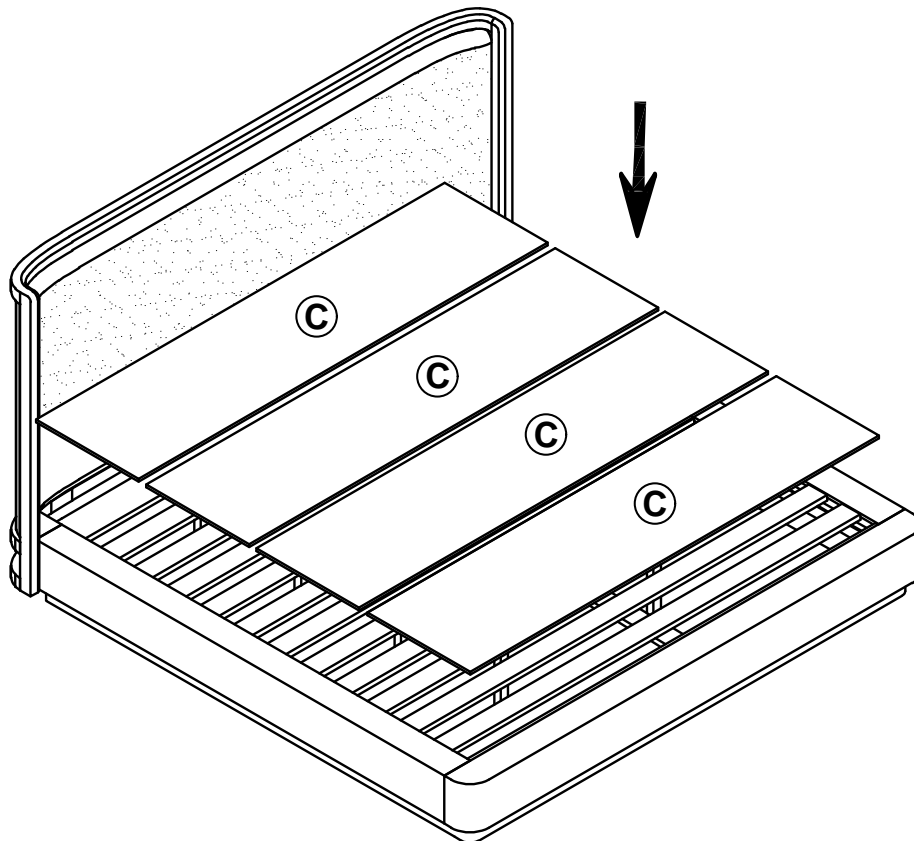


ASSEMBLY INSTRUCTIONS

STEP 5



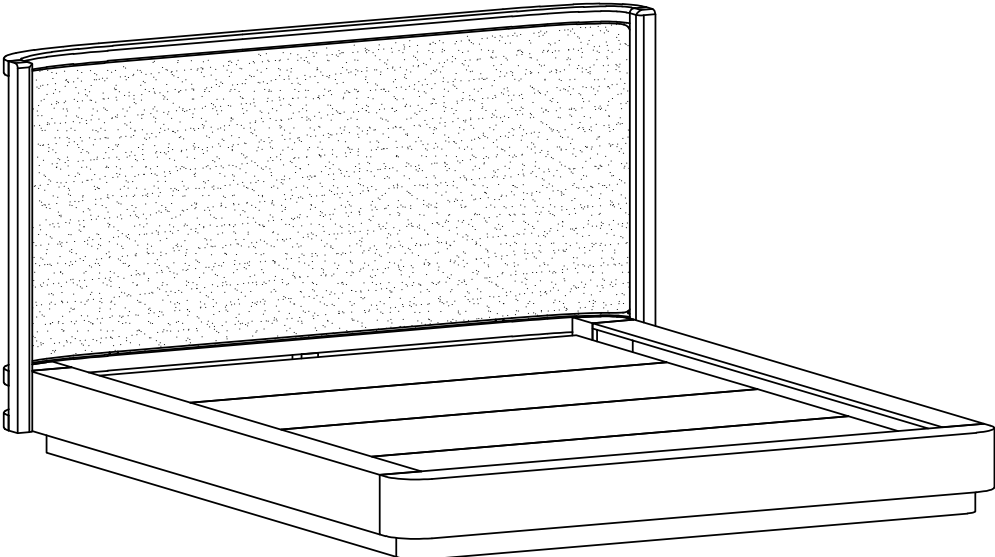
STEP 6



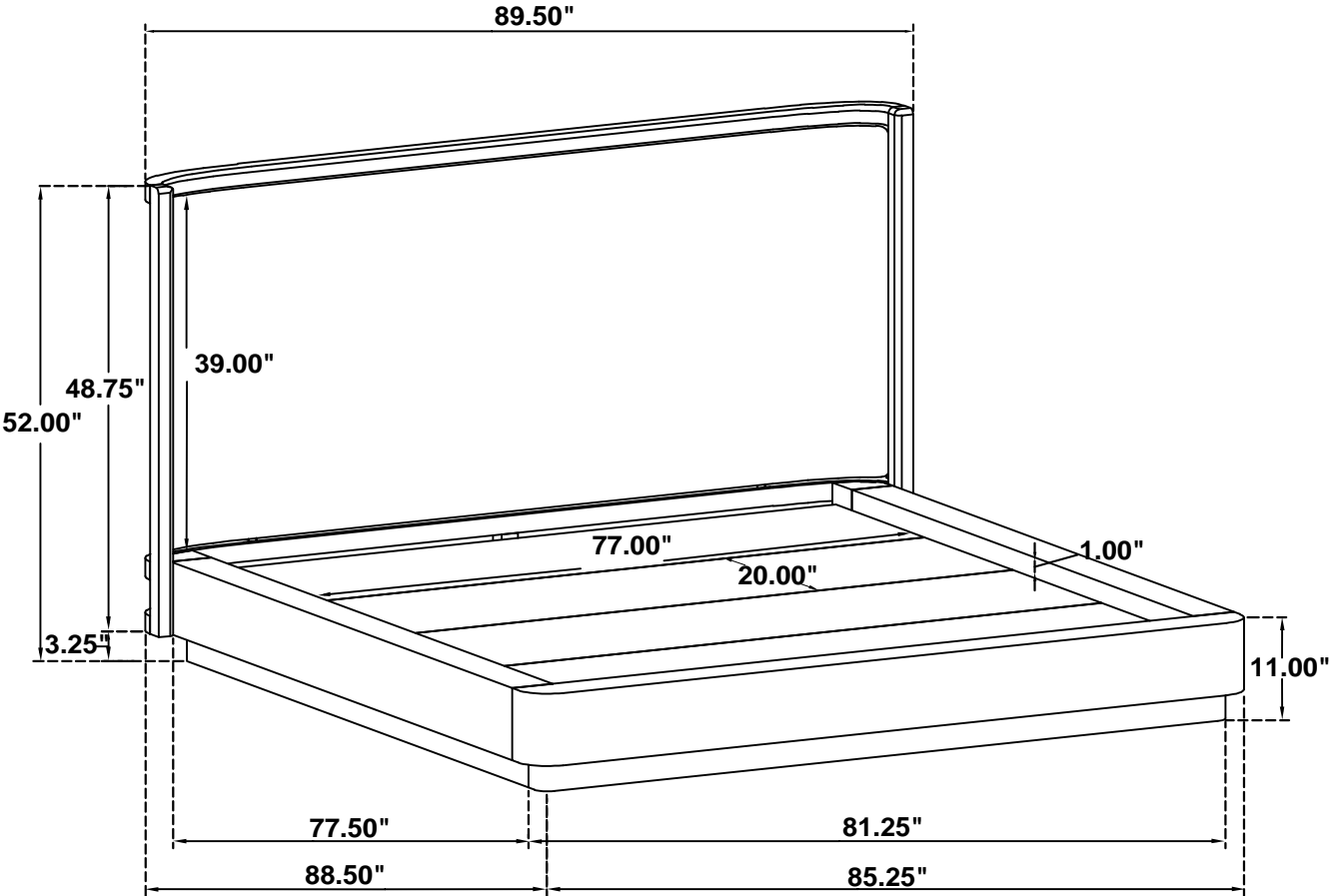
ASSEMBLY INSTRUCTIONS

STEP 7

COMPLETE



Inner Size : 81.00"W X 77.00"D



Note: Dimension tolerance $\pm 5\%$