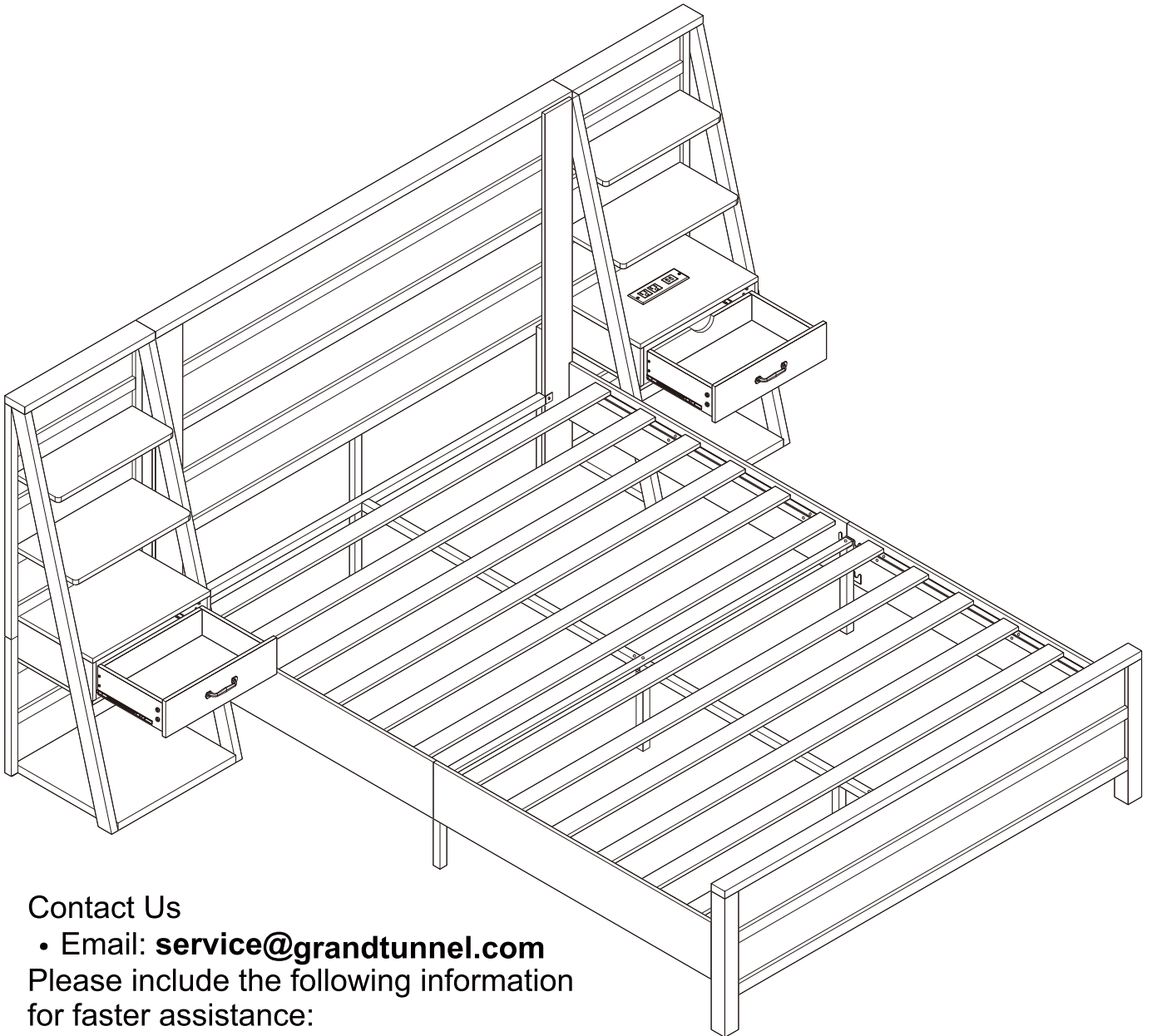


Bookcase Storage Bed Frame Assembly Instructions



Contact Us

- Email: service@grandtunnel.com

Please include the following information for faster assistance:

- Order number
- Purchase platform
- Purchase date
- Detailed description of the issue along with photos



Please carefully reading this manual will help you complete the product installation more efficiently



BEFORE INSTALLATION

Thank you for choosing our product! To ensure a smooth installation process, please read this guide carefully to familiarize yourself with the required tools, materials, and steps. Follow the relevant sections to avoid any issues caused by improper installation. Be sure to review all operational and safety instructions to understand the correct installation procedures.

Installation Guidelines

- This guide is based on the most current product information at the time of printing. We reserve the right to make changes to product features, packaging, or availability without prior notice.
- Ensure that all necessary electrical or environmental preparations are completed before assembling the product.
- This manual contains important instructions for installation, cleaning, and maintenance. Please read and keep it for future reference.

Pre-Installation Checklist

1. Inspect the Product

Before installation, carefully check the product for any damage or defects.

2. Ensure a Stable Installation Surface

Install the bed on a clean, flat surface to maintain stability and balance.

3. Avoid Unfavorable Environments

Avoid placing the bed in damp areas or areas exposed to prolonged direct sunlight.

4. Protect During Installation

Handle the product with care during installation, using protective materials (such as soft cloths) to prevent scratches.

5. Contact for Assistance

If you have any questions or require technical support, refer to the customer service contact information provided in this guide.

Usage and Maintenance Recommendations

1. Regular Cleaning

Clean the product regularly to maintain hygiene and prevent bacterial growth. Use a damp cloth that has been wrung out to avoid surface scratches.

2. Prevent Corrosion

Avoid contact with acidic or alkaline substances.

3. Use Authorized Replacement Parts Only

Do not use unauthorized replacement parts. If replacement is necessary, contact the manufacturer or an authorized dealer.

4. Cleaning Precautions

Do not machine wash or rinse any part of the product with water.



SAFETY WARNINGS

1. Follow Warning Labels

Do not remove warning labels from the product or packaging. Always adhere to the displayed safety instructions.

2. Regular Inspections

Regularly check all components of the product to ensure they are correctly installed, undamaged, and securely fastened.

3. Safe Usage

Do not play, jump, or engage in activities on or under the bed that could cause injury or damage.

4. Rope Hazards

Do not attach ropes, hooks, straps, or any other non-designated items to any part of the bed.

5. Retain this Manual

Keep this manual in a safe place for future reference.

6. Shared Responsibility

Safety is a shared responsibility between the manufacturer and the user. Please ensure all safety precautions are followed during use.

Disclaimer

We are committed to providing safe and reliable products to our customers. Should you have any questions or require further support, please do not hesitate to contact our customer service team.

CUSTOMER SERVICE GUIDE

Thank you for choosing our product! We are committed to providing you with excellent service. If you find any missing parts, damaged packaging, or product damage after receiving all packages, please follow the steps below to quickly contact our customer service team. We will do our best to resolve your issue.

1. Missing Parts

Verify Parts:

1. Refer to the Parts List in the manual to verify the name, specifications, and quantity of the missing parts.
2. Take a clear photo of the parts list and mark the missing parts with detailed information, e.g., "Missing 5 pieces of M6X30mm screws."

Contact Us:

· By Email:

Send an email to service@grandtunnel.com, with the subject line "Missing Parts Issue." Include the following in the email:

- A description of the missing parts and a photo of the parts list.
- Order details (order number, purchase platform, purchase date).

2. Product or Packaging Damage

If it affects normal use:

Steps:

1. Take clear photos or videos showing the damaged parts and the extent of the damage (multiangle shots are recommended).
2. Email the photos/videos along with order details to service@grandtunnel.com, with the subject line "Product Damage Issue."

Resolution:

After verification, we will arrange for a replacement part, product exchange, or refund as quickly as possible.

If it does not affect normal use:

Steps:

1. Contact our customer service team (by email: service@grandtunnel.com).
2. Provide a description of the damage and include relevant photos or videos.

Resolution:

We will provide repair guidance or an appropriate compensation plan based on the specific situation.

Contact Us:

- Customer Service Email: service@grandtunnel.com

Helpful Tips

To process your issue efficiently, please prepare the following information:

- Order details (order number, purchase platform, purchase date).
- Clear photos or videos.
- We are committed to providing quick and professional solutions, no matter the size of the issue, to ensure your satisfaction.

Thank you for your trust and support! We hope you enjoy using our product!

TOOLS & EQUIPMENT



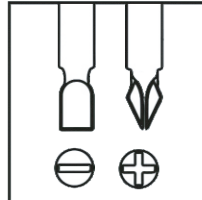
2 people needed



Work gloves



Tape measure



Other Tools Required
.Phillips Screwdriver
(Not Included)

SIMPLE ASSEMBLY STEPS

1. Carefully read the manual to ensure you understand all steps.
2. Check all parts and hardware to confirm everything is included.
3. Prepare necessary tools, such as a screwdriver and rubber mallet.
4. Ensure at least two adults participate in the assembly process for safety and efficiency.

Precautions:

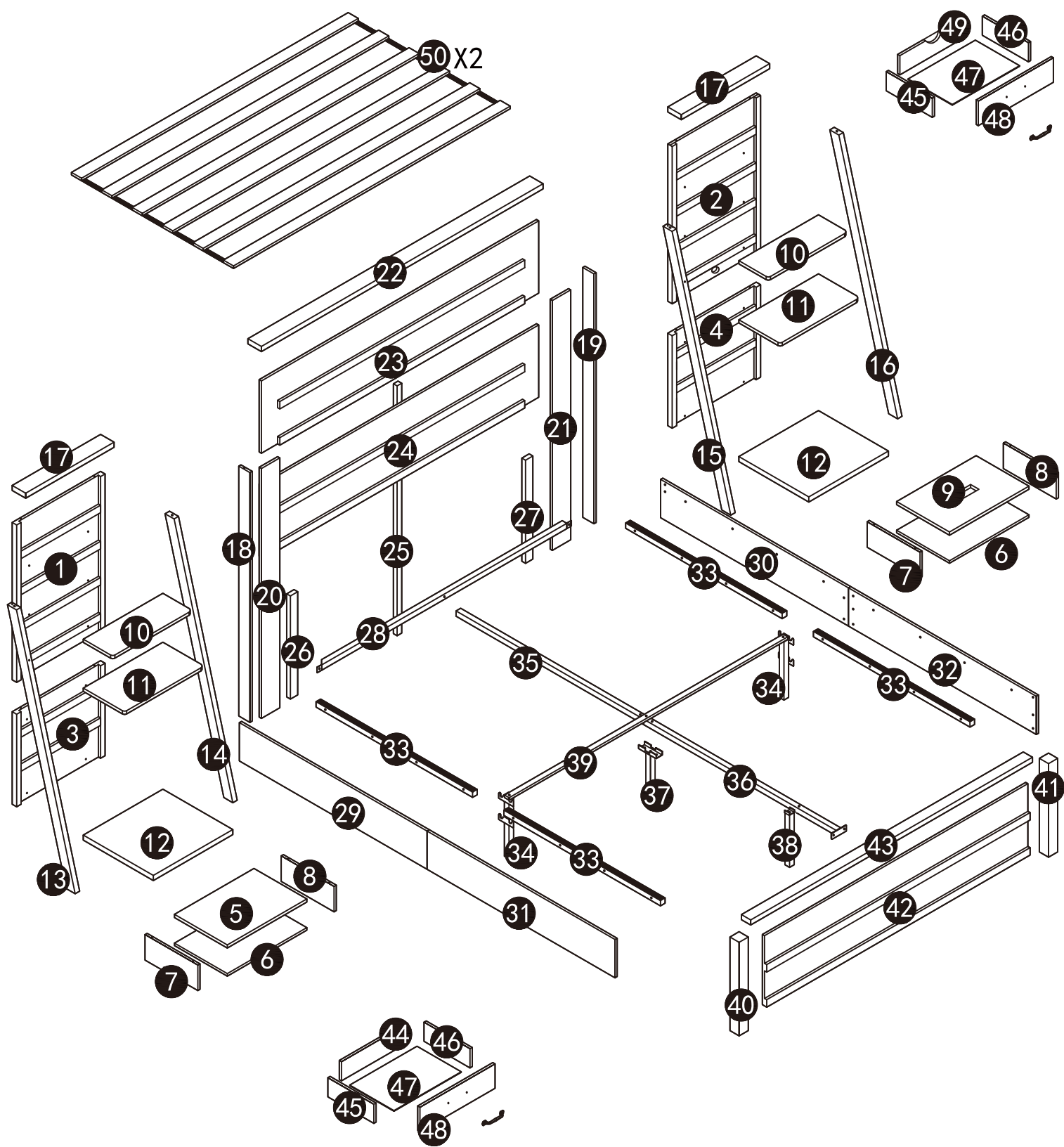
1. Assemble on a flat surface to ensure product stability and balance.
2. During assembly, do not fully tighten all screws immediately. Adjust to the optimal position before fully securing them.
3. To protect the product and your floor, use protective materials (e.g., towels or tissue paper).

To make the assembly process easier and smoother, it is recommended to complete it with two or more adults.

Important:

Before starting assembly, thoroughly read the instructions to ensure the process is performed correctly.

ASSEMBLY INSTRUCTIONS



Hardware and Parts List Guidelines

1. Check All Parts

- . Ensure all components are included before assembly.
- . Contact customer service if any parts are missing or damaged.

2. Organize Before Assembly

- . Lay out all panels and hardware for easy identification.
- . Keep small parts grouped to prevent loss.

3. Use Correct Hardware

- . Follow the instructions carefully to use the specified screws and fasteners.
- . Avoid using substitute parts to ensure stability.

4. Tightening Instructions

- . Partially tighten screws first, then fully secure once aligned.
- . Tighten evenly for a stable structure.

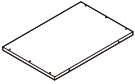
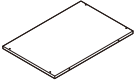
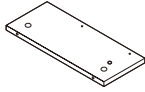
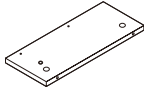
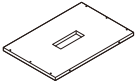
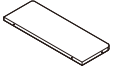
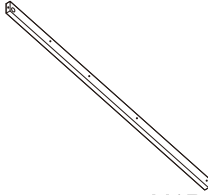
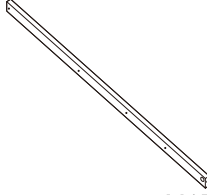
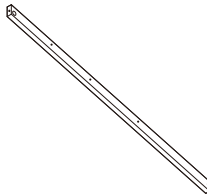
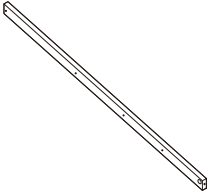
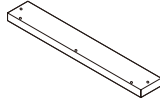
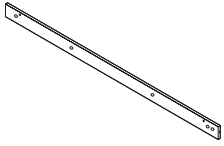
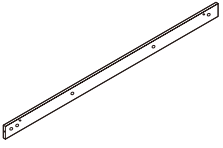
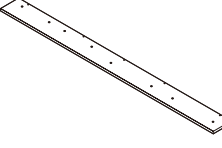
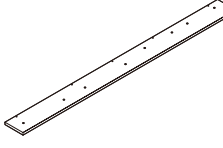
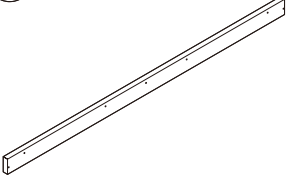
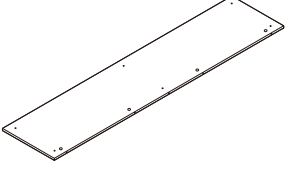
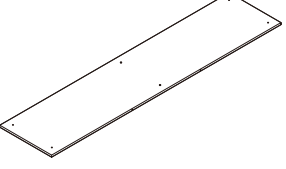
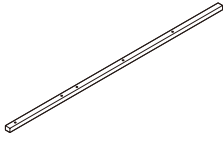


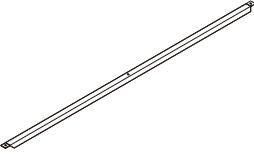
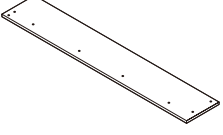
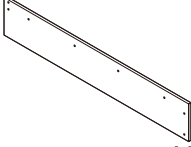
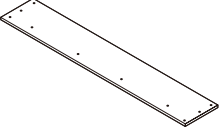
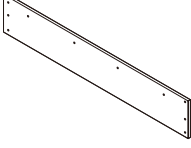


5. Safety Reminder

- . Handle small parts carefully and keep them away from children.

Once confirmed, proceed with assembly as instructed.

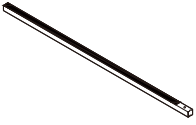



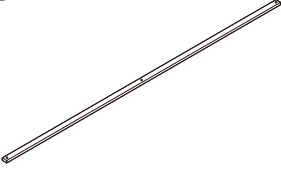


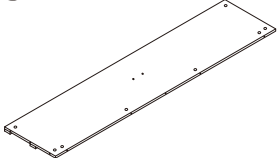
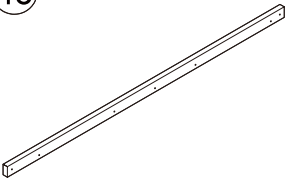
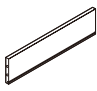
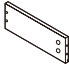
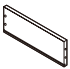
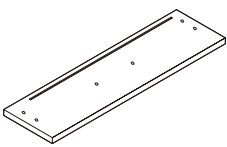
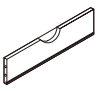
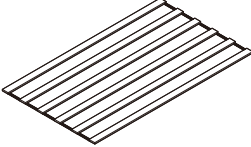
ASSEMBLY INSTRUCTIONS

The box 1

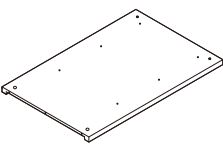
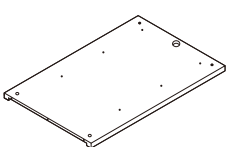
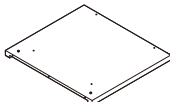
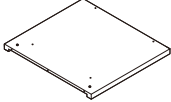
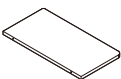
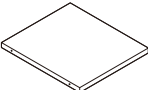
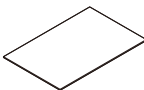
<p>⑤</p>  <p>X1PCS</p>	<p>⑥</p>  <p>X2PCS</p>	<p>⑦</p>  <p>X2PCS</p>	<p>⑧</p>  <p>X2PCS</p>
<p>⑨</p>  <p>X1PCS</p>	<p>⑩</p>  <p>X2PCS</p>	<p>⑬</p>  <p>X1PCS</p>	<p>⑭</p>  <p>X1PCS</p>
<p>⑮</p>  <p>X1PCS</p>	<p>⑯</p>  <p>X1PCS</p>	<p>⑰</p>  <p>X2PCS</p>	<p>⑱</p>  <p>X1PCS</p>
<p>⑲</p>  <p>X1PCS</p>	<p>⑳</p>  <p>X1PCS</p>	<p>㉑</p>  <p>X1PCS</p>	<p>㉒</p>  <p>X1PCS</p>
<p>㉓</p>  <p>X1PCS</p>	<p>㉔</p>  <p>X1PCS</p>	<p>㉕</p>  <p>X1PCS</p>	<p>㉖</p>  <p>X1PCS</p>
<p>㉗</p>  <p>X1PCS</p>	<p>㉘</p>  <p>X1PCS</p>	<p>㉙</p>  <p>X1PCS</p>	<p>㉚</p>  <p>X1PCS</p>
<p>㉛</p>  <p>X1PCS</p>	<p>㉜</p>  <p>X1PCS</p>	<p>㉝</p>  <p>X4PCS</p>	<p>㉞</p>  <p>X2PCS</p>

ASSEMBLY INSTRUCTIONS

The box 1 continued

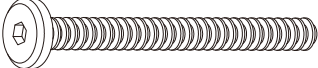
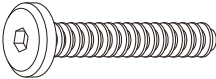
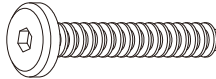
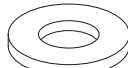
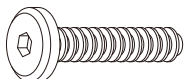
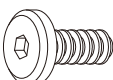

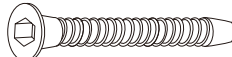

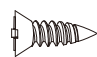




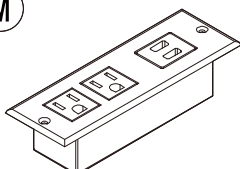


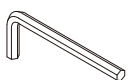
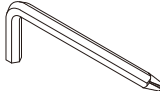
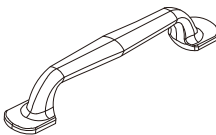
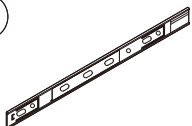

<p>35</p>  <p>X1PCS</p>	<p>36</p>  <p>X1PCS</p>	<p>37</p>  <p>X1PCS</p>	<p>38</p>  <p>X1PCS</p>
<p>39</p>  <p>X1PCS</p>	<p>40</p>  <p>X1PCS</p>	<p>41</p>  <p>X1PCS</p>	<p>42</p>  <p>X1PCS</p>
<p>43</p>  <p>X1PCS</p>	<p>44</p>  <p>X1PCS</p>	<p>45</p>  <p>X2PCS</p>	<p>46</p>  <p>X2PCS</p>
<p>48</p>  <p>X2PCS</p>	<p>49</p>  <p>X1PCS</p>	<p>50</p>  <p>X2PCS</p>	

The box 2

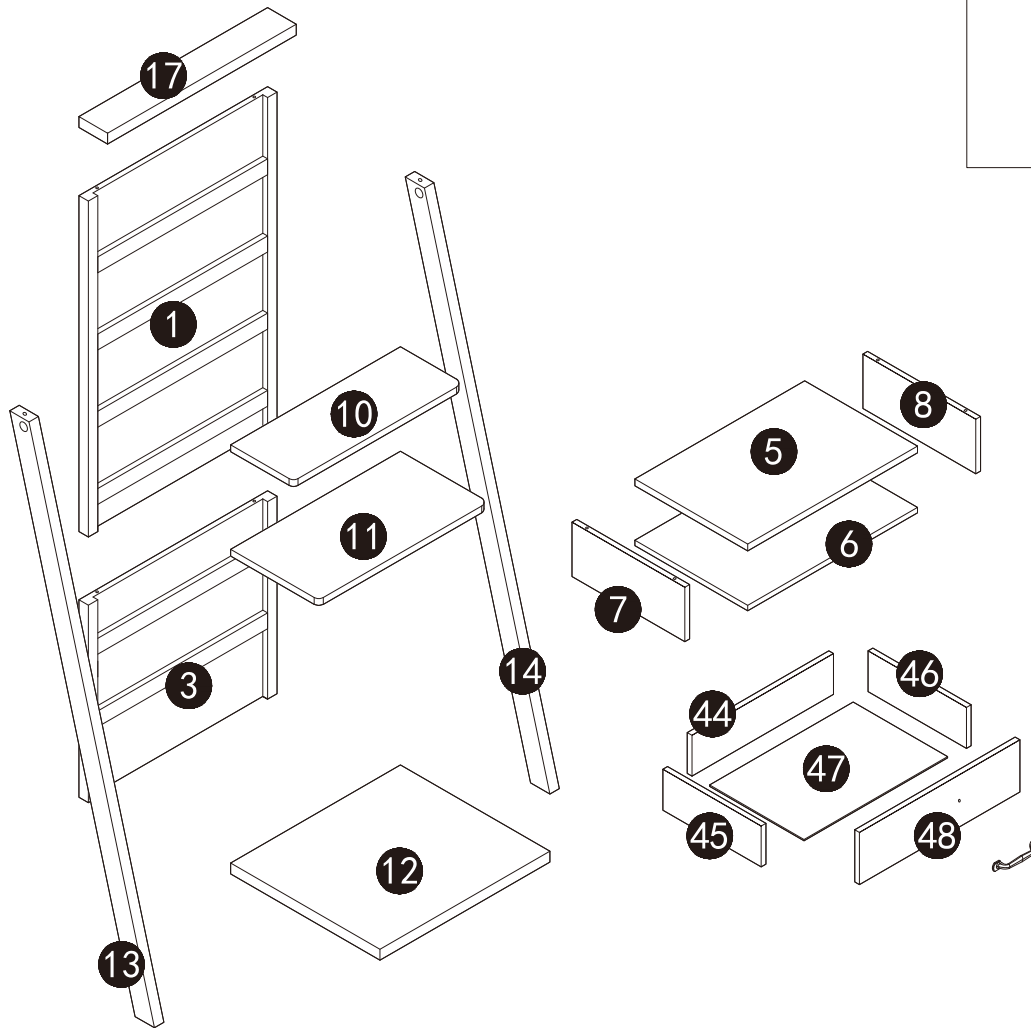
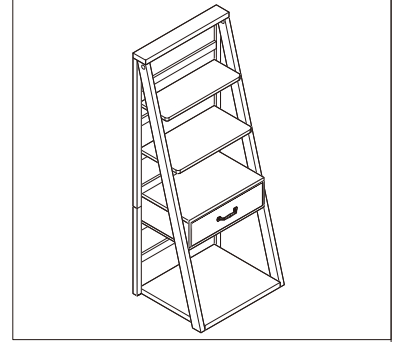
<p>1</p>  <p>X1PCS</p>	<p>2</p>  <p>X1PCS</p>	<p>3</p>  <p>X1PCS</p>	<p>4</p>  <p>X1PCS</p>
<p>11</p>  <p>X2PCS</p>	<p>12</p>  <p>X2PCS</p>	<p>47</p>  <p>X2PCS</p>	

ASSEMBLY INSTRUCTIONS



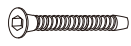






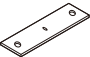


The box 1

<p>(A)</p>  <p>M8*60mm 5/16*2-23/64" X2PCS</p>	<p>(B)</p>  <p>M8*35mm 5/16*1-3/8" X9PCS</p>	<p>(C)</p>  <p>M6*35mm 15/64*1-3/8" X20PCS</p>	<p>(D)</p>  <p>Φ7*Φ16mm Ø16/64*19/32" X24PCS</p>
<p>(E)</p>  <p>M6*30mm 15/64*1-3/16" X4PCS</p>	<p>(F)</p>  <p>M6*20mm 15/64*25/32" X18PCS</p>	<p>(G)</p>  <p>M6*12mm 15/64*15/32" X36PCS</p>	<p>(H)</p>  <p>M5*40mm 13/64*1-37/64" X36PCS</p>
<p>(I)</p>  <p>M4*16mm 5/32*19/32" X4PCS</p>	<p>(J)</p>  <p>M3*12mm 1/8*15/32" X18PCS</p>	<p>(K1)</p>  <p>Ø15*10mm Ø19/32*25/64" X60PCS</p>	<p>(K2)</p>  <p>Ø7*35mm Ø9/32*1-37/64" X60PCS</p>
<p>(L)</p>  <p>X4PCS</p>	<p>(N)</p>  <p>Ø6*30mm Ø15/64*1-3/16" X30PCS</p>	<p>(M)</p>  <p>X1PCS</p>	<p>(O)</p>  <p>X4PCS</p>
<p>(P)</p>  <p>M3 Ø1/8" X1PCS</p>	<p>(Q)</p>  <p>M4 Ø5/32" X1PCS</p>	<p>(R)</p>  <p>M5 Ø13/64" X1PCS</p>	<p>(S)</p>  <p>X2PCS</p>
<p>(T)</p>  <p>X4PCS</p>	<p>(U)</p>  <p>X4PCS</p>		

ASSEMBLY INSTRUCTIONS



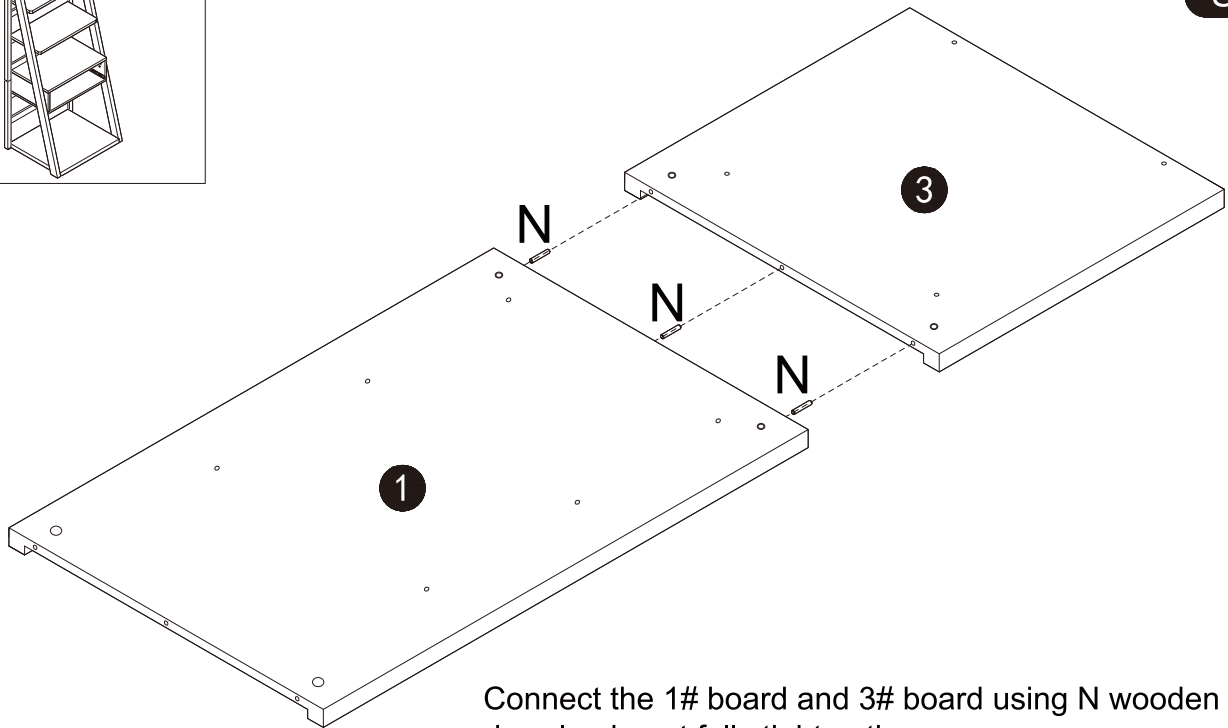
HARDWARE ACCESSORY LIST

F	2pcs	G	4pcs	H	18pcs	I	2pcs	J	8pcs	K1	16pcs	K2	16pcs	N	10pcs
															
M6*20mm	6*12mm	M5*40mm	M4*16mm	M3*12mm	15*10mm	7*35mm	6*30mm								
Ø15/64*25/32"	15/64*15/32"	13/64*1-37/64"	5/32*19/32"	1/8*15/32"	Ø19/32*25/64"	Ø9/32*1-37/64"	Ø15/64*1-3/16"								
L	2pcs	S	1pcs	T	4pcs										
															

ASSEMBLY INSTRUCTIONS

Bookcase Section

Step 1

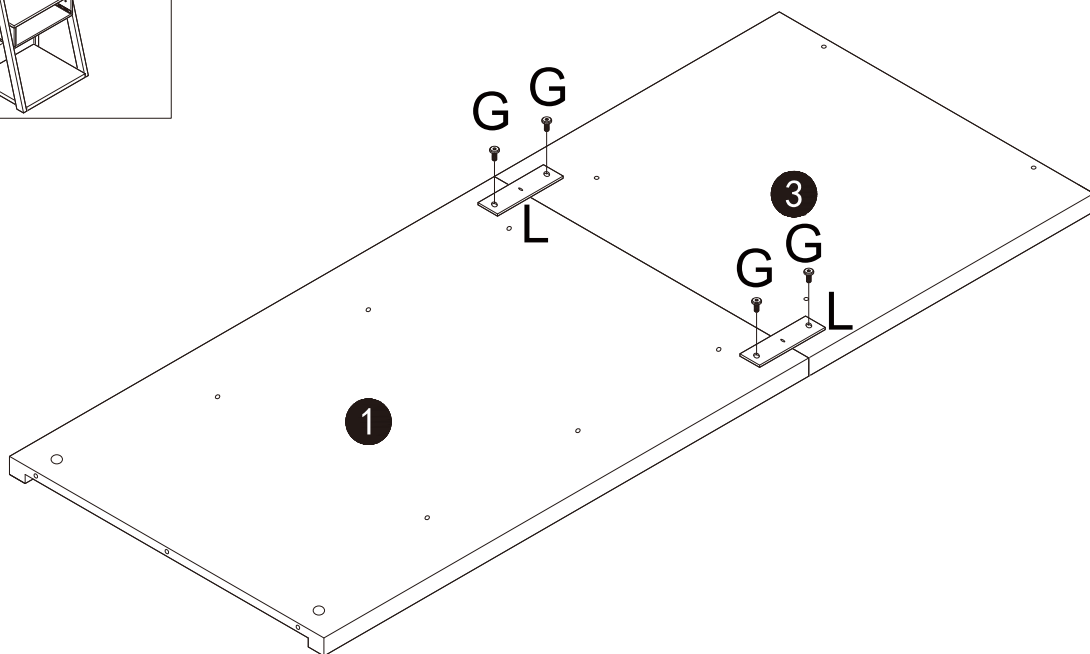
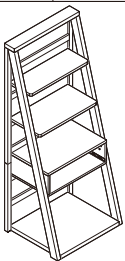


Connect the 1# board and 3# board using N wooden dowels, do not fully tighten the screws.

N	3pcs
	6*30mm
	Ø15/64*1-3/16"

Bookcase Section

Step 2



Connect the 1# and 3# boards using part L, tighten with screw G.

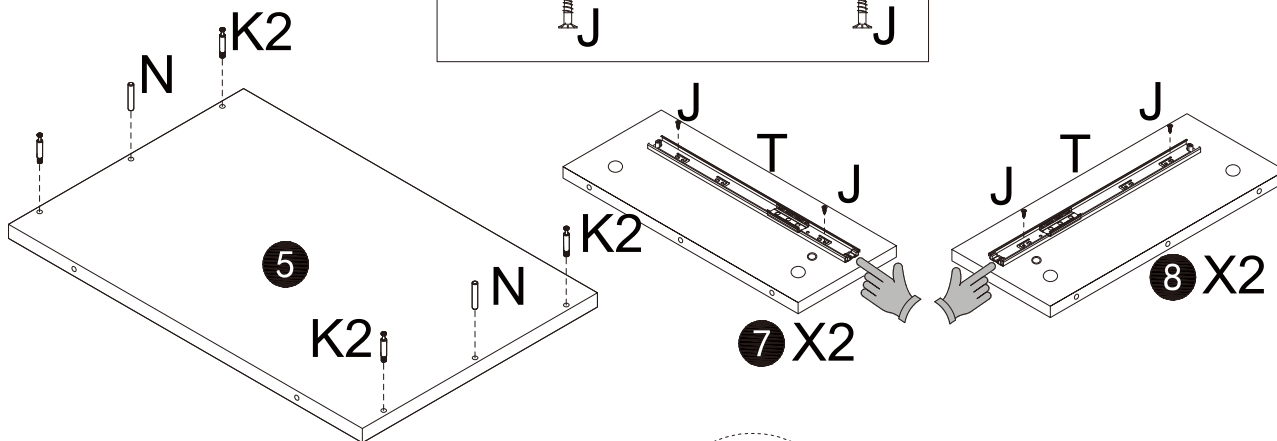
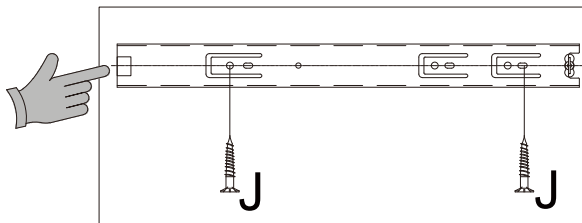
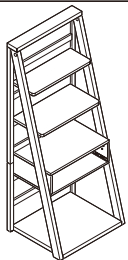
L	2pcs	G	4pcs
			6*12mm
			15/64*15/32"

ASSEMBLY INSTRUCTIONS

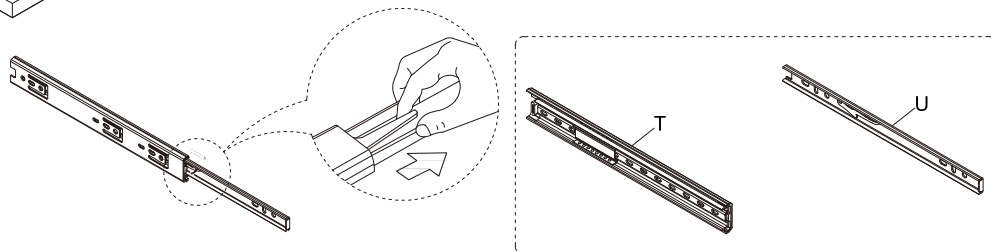
Bookcase Section

Step 3

- a. Install K2 on board 5
- b. install N on board 5.
- c. Attach T to the 7# and 8# boards, tighten with screw J.

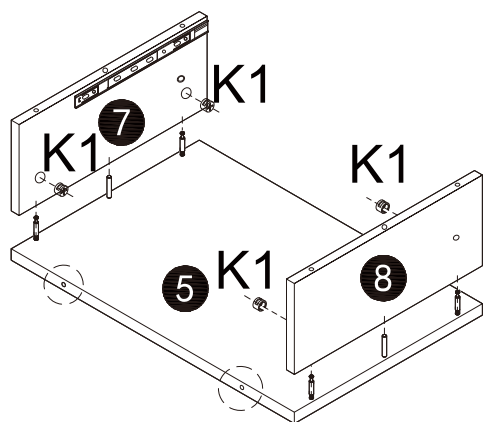
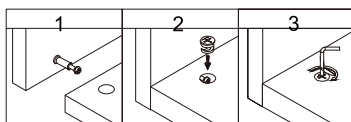
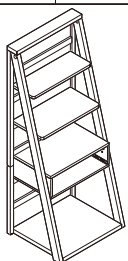


K2	4pcs	N	2pcs	J	4pcs
7*35mm		6*30mm		M3*12mm	
Ø9/32*1-37/64"		Ø15/64*1-3/16"		1/8*15/32"	



Bookcase Section

Step 4



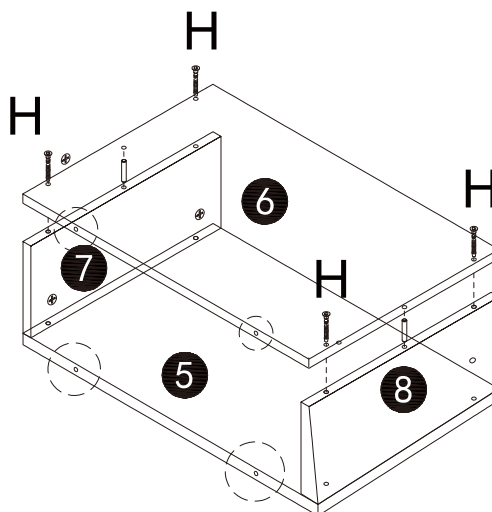
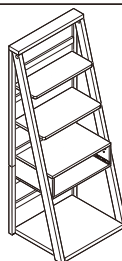
Attach the 7# and 8# boards to the 5# board, tighten with screw K1.

K1	4pcs
15*10mm	
Ø19/32*25/64"	

Note: The hole position inside the circle should face.

Bookcase Section

Step 5



Attach the 6# board to the 7# and 8# boards, tighten with screw H.

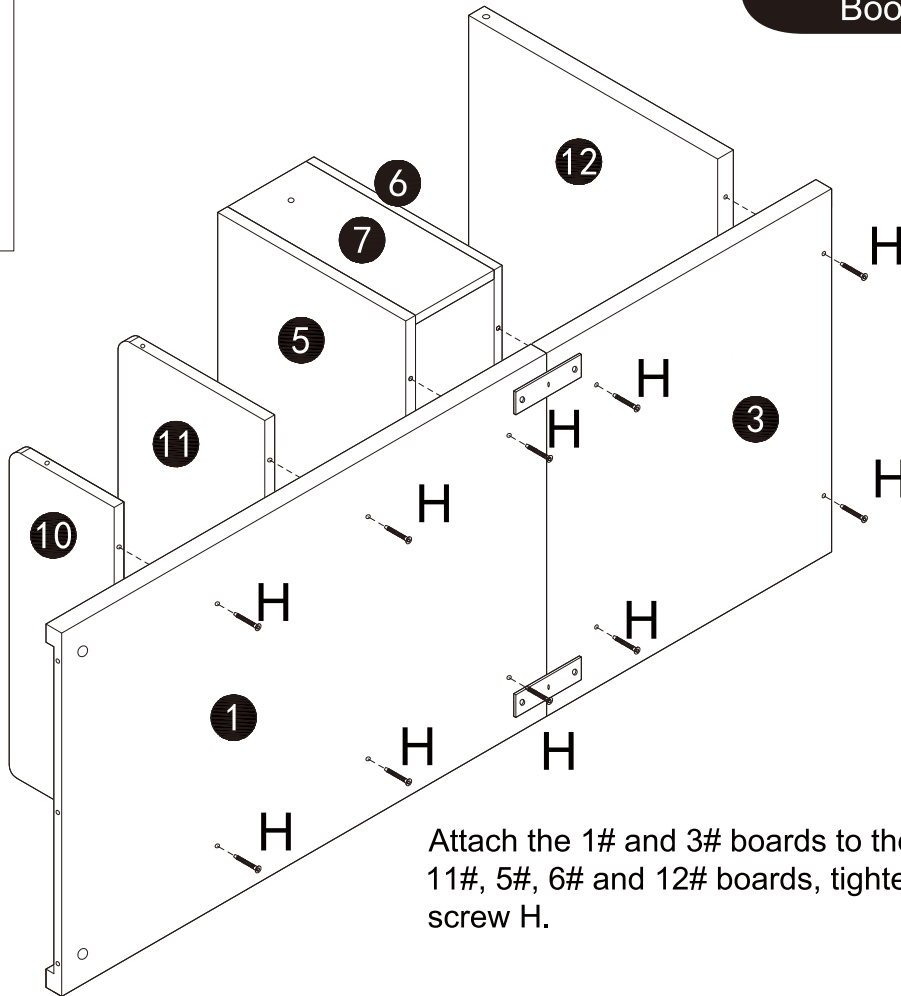
H	4pcs	N	2pcs
M5*40mm		6*30mm	
13/64*1-37/64"		Ø15/64*1-3/16"	

Note: The hole position inside the circle should face.

ASSEMBLY INSTRUCTIONS

Bookcase Section

Step 6

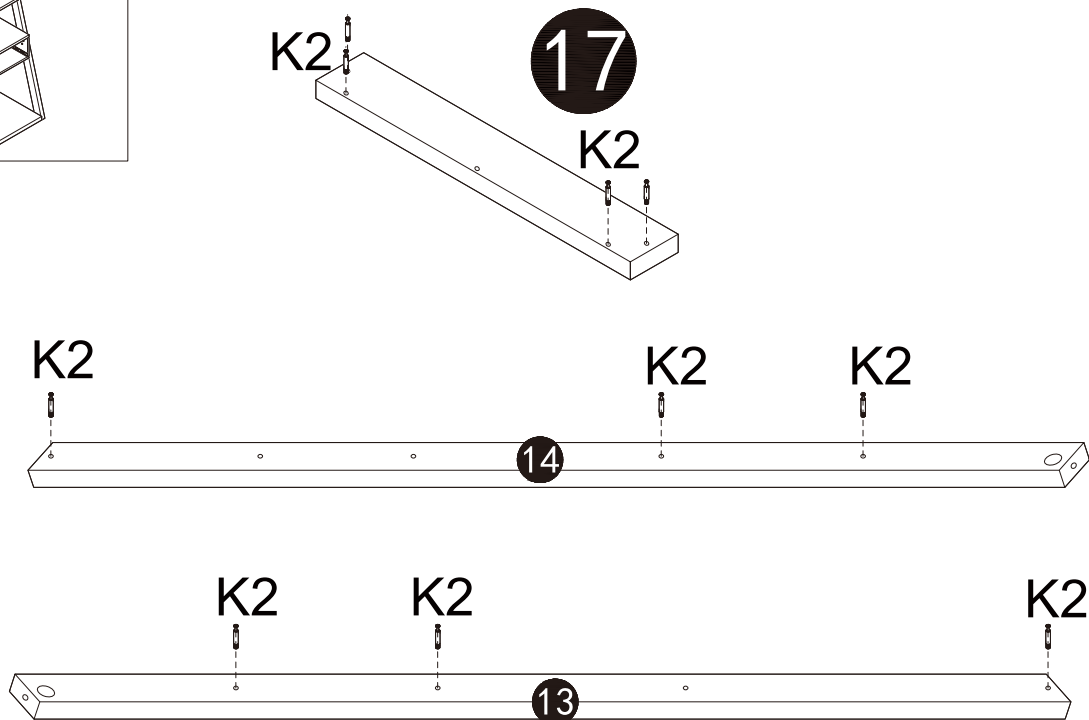
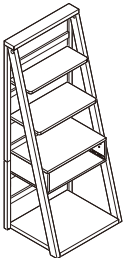


Attach the 1# and 3# boards to the 10#, 11#, 5#, 6# and 12# boards, tighten with screw H.


H	10pcs
	
M5*40mm	
13/64*1-37/64"	

Bookcase Section

Step 7



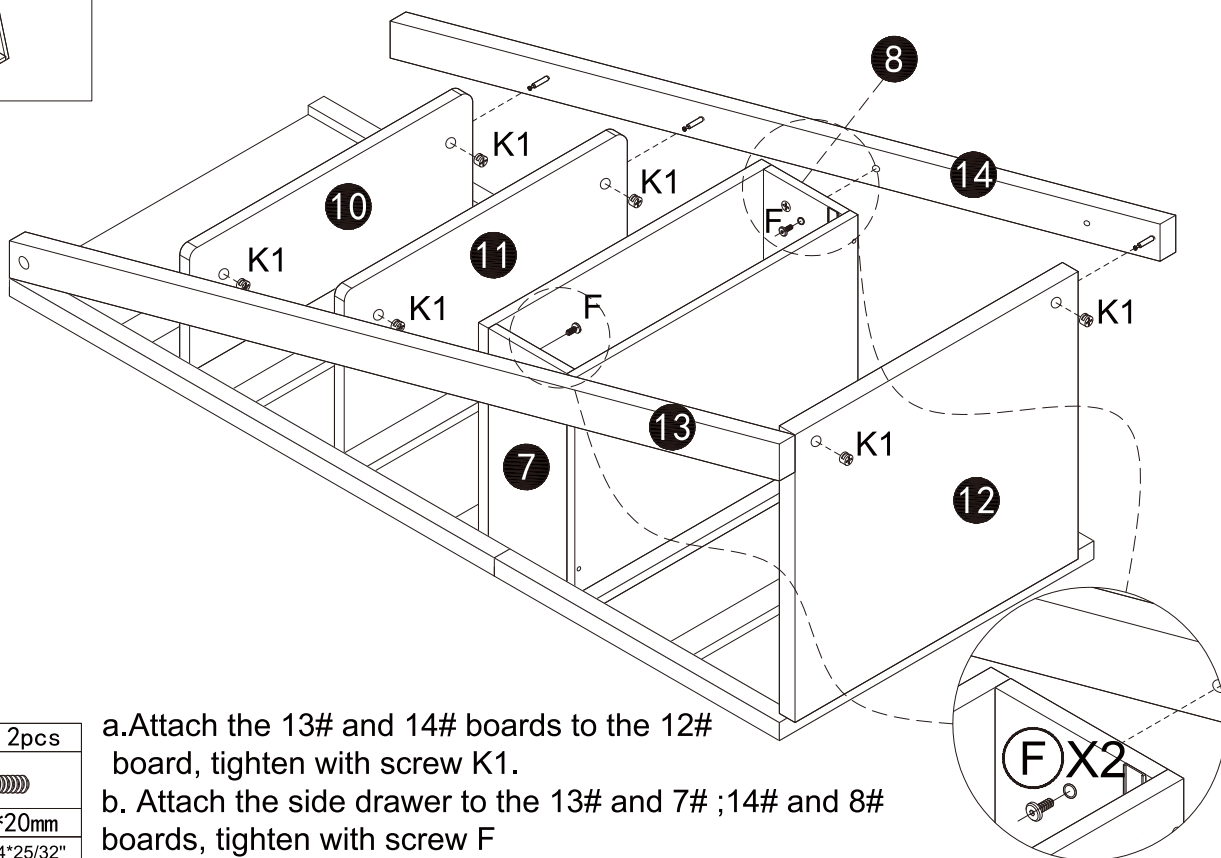
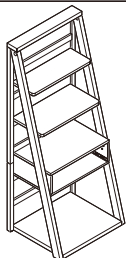
- a. Install K2 on two 17# boards.
- b. Install K2 on boards 13# and 14#.

K2	10pcs
	
7*35mm	
Ø9/32*1-37/64"	



ASSEMBLY INSTRUCTIONS

Bookcase Section

Step 8



K1	6pcs	F	2pcs
----	------	---	------

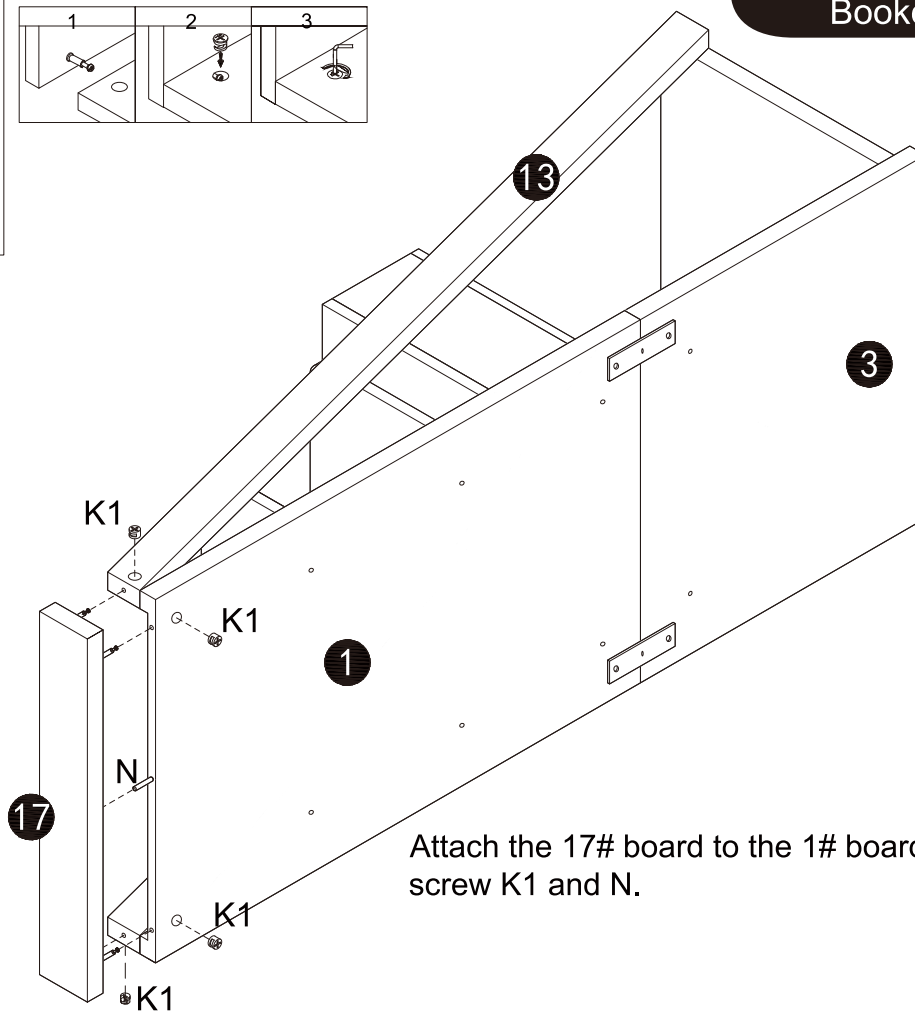
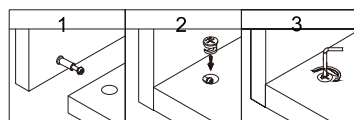
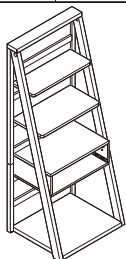
	
15*10mm	M6*20mm
Ø19/32*25/64"	Ø15/64*25/32"

a. Attach the 13# and 14# boards to the 12# board, tighten with screw K1.


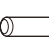
b. Attach the side drawer to the 13# and 7# ;14# and 8# boards, tighten with screw F

Bookcase Section

Step 9

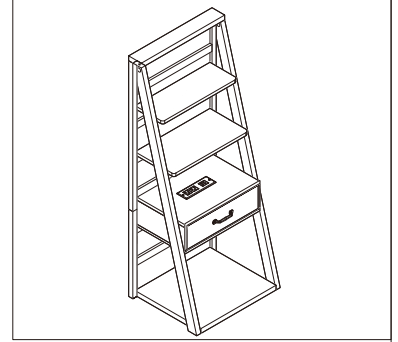
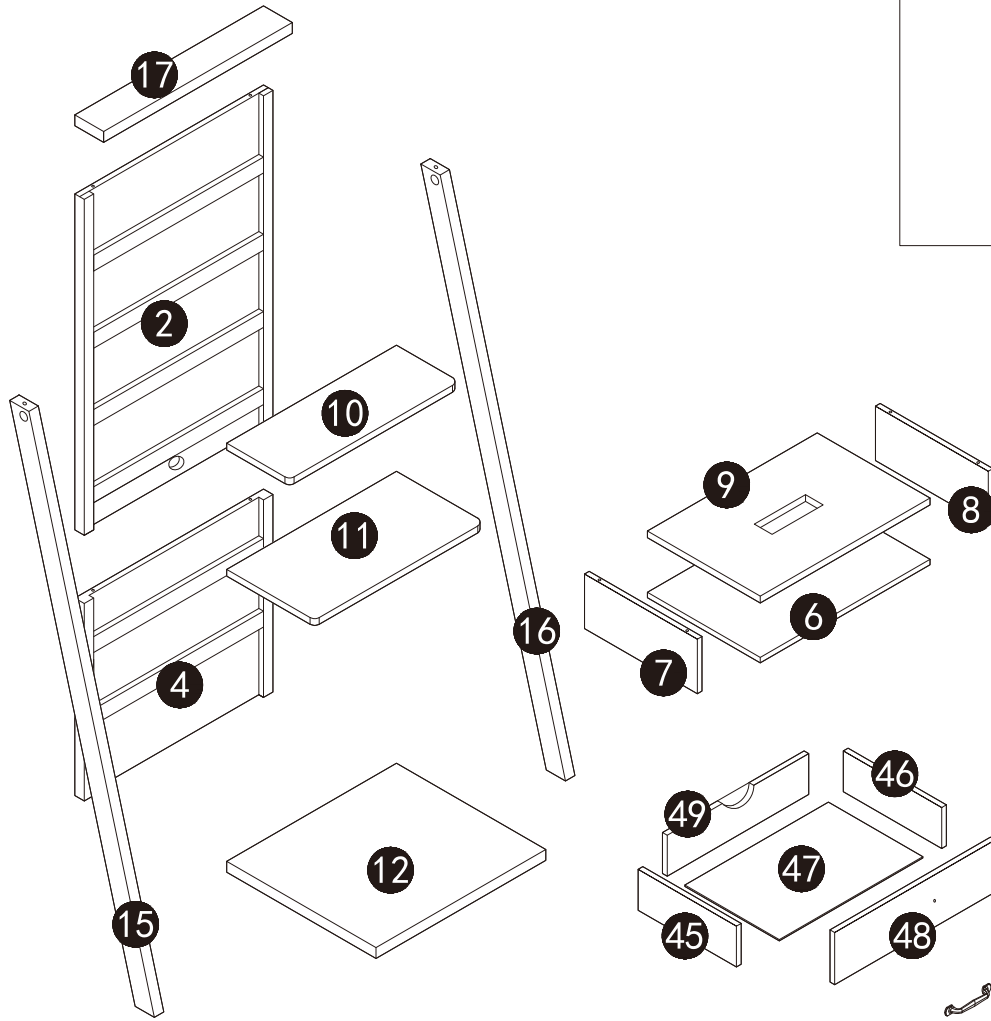


K1	4pcs	N	1pc
----	------	---	-----

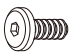

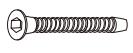

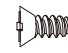







	
15*10mm	6*30mm
Ø19/32*25/64"	Ø15/64*1-3/16"

Attach the 17# board to the 1# board, tighten with screw K1 and N.

ASSEMBLY INSTRUCTIONS



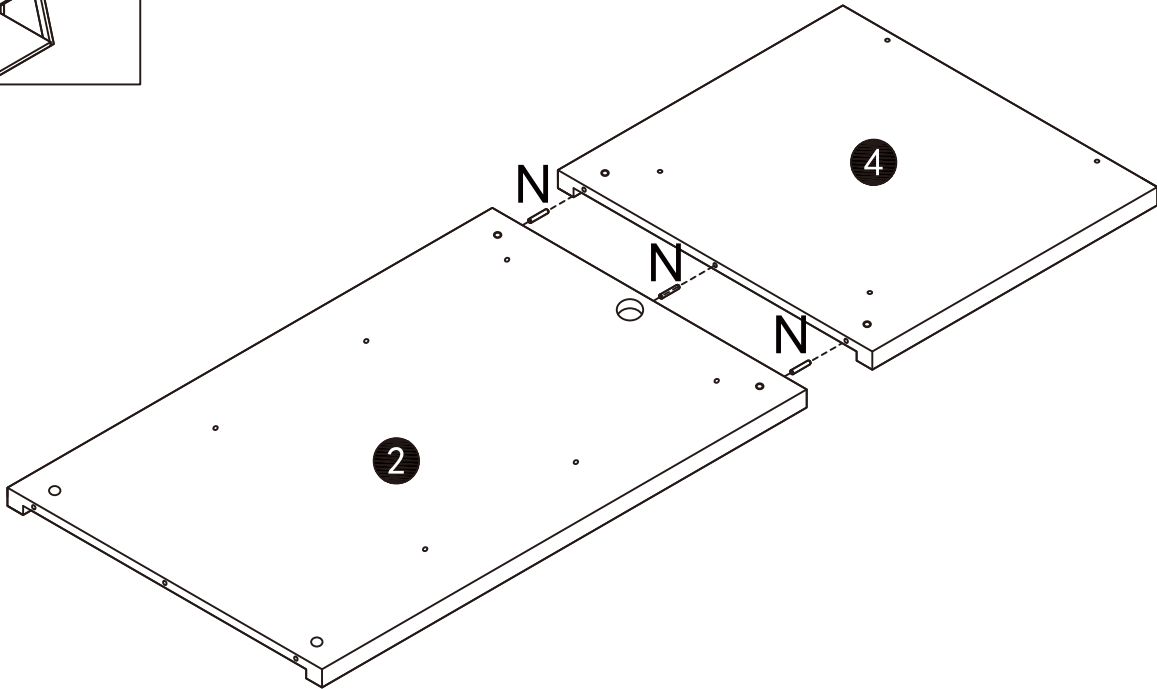
HARDWARE ACCESSORY LIST

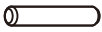
F	2pcs	G	4pcs	H	18pcs	I	2pcs	J	10pcs	K1	16pcs	K2	16pcs	N	10pcs
															
M6*20mm	6*12mm	M5*40mm	M4*16mm	M3*12mm	15*10mm	7*35mm	6*30mm								
Ø15/64*25/32"	15/64*15/32"	13/64*1-37/64"	5/32*19/32"	1/8*15/32"	Ø19/32*25/64"	Ø9/32*1-37/64"	Ø15/64*1-3/16"								
L	2pcs	M	1pcs	S	1pcs										
															

ASSEMBLY INSTRUCTIONS

Bookcase Section

Step 10



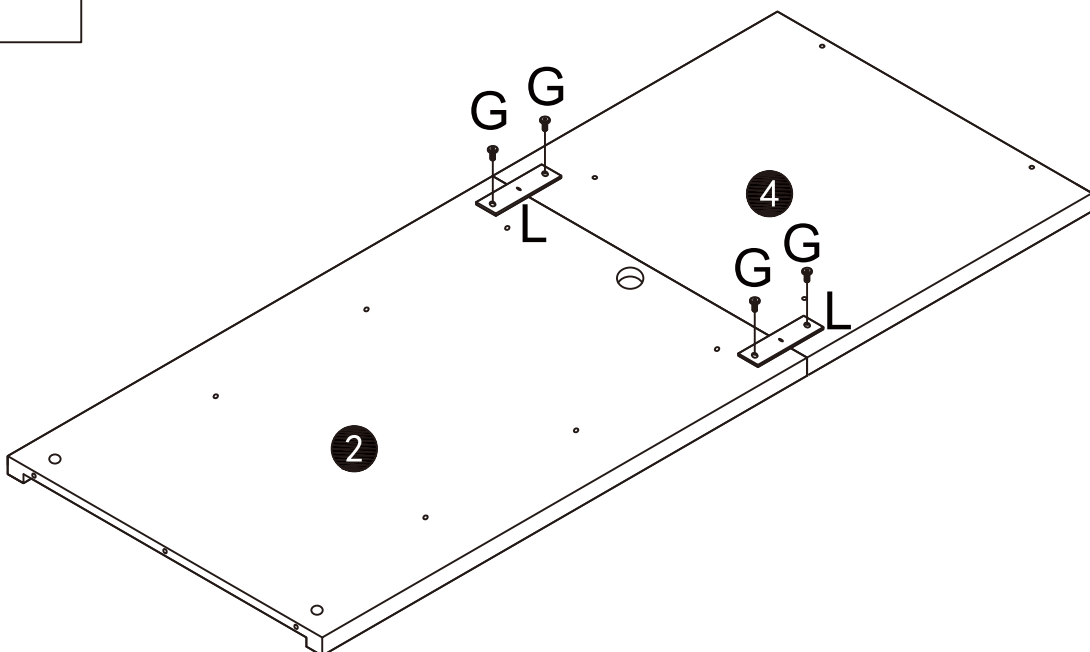
N	3pcs
	
6*30mm	
Ø15/64*1-3/16"	



Connect the 2# board and 4# board using N wooden dowels.



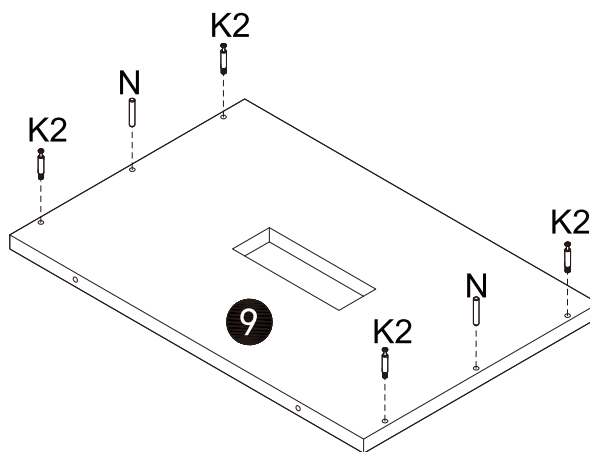
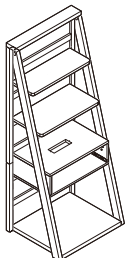
Bookcase Section

Step 11



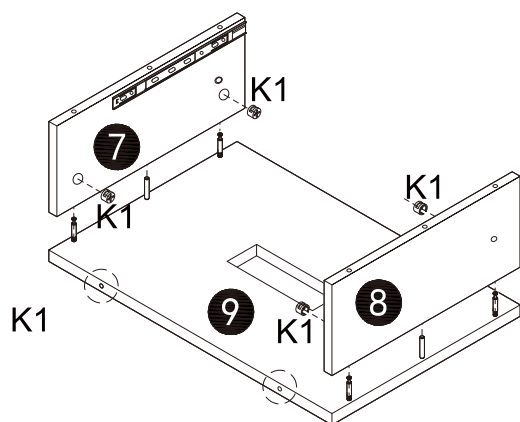
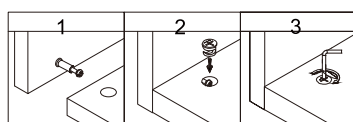
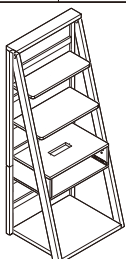
L	2pcs	G	4pcs
			
		6*12mm	
		15/64*15/32"	

Use part L to connect the 2# and 4# boards, tighten with screw G.



a. Install K2 on the 9# board.
b. install N on the 9# board.

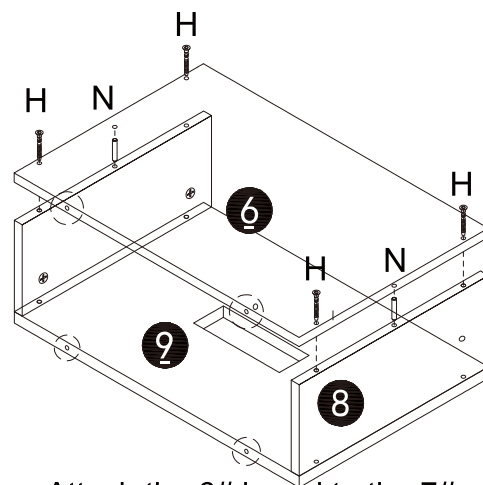
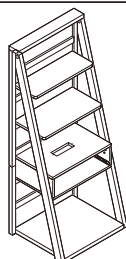
K2	4pcs	N	2pcs
7*35mm		6*30mm	
Ø9/32*1-37/64"		Ø15/64*1-3/16"	



Attach the 7# and 8# boards to the 9# board, tighten with screw K1.

K1	4pcs
15*10mm	
Ø19/32*25/64"	

Note: The hole position inside the circle should face.



Attach the 6# board to the 7# and 8# boards, tighten with screw H.

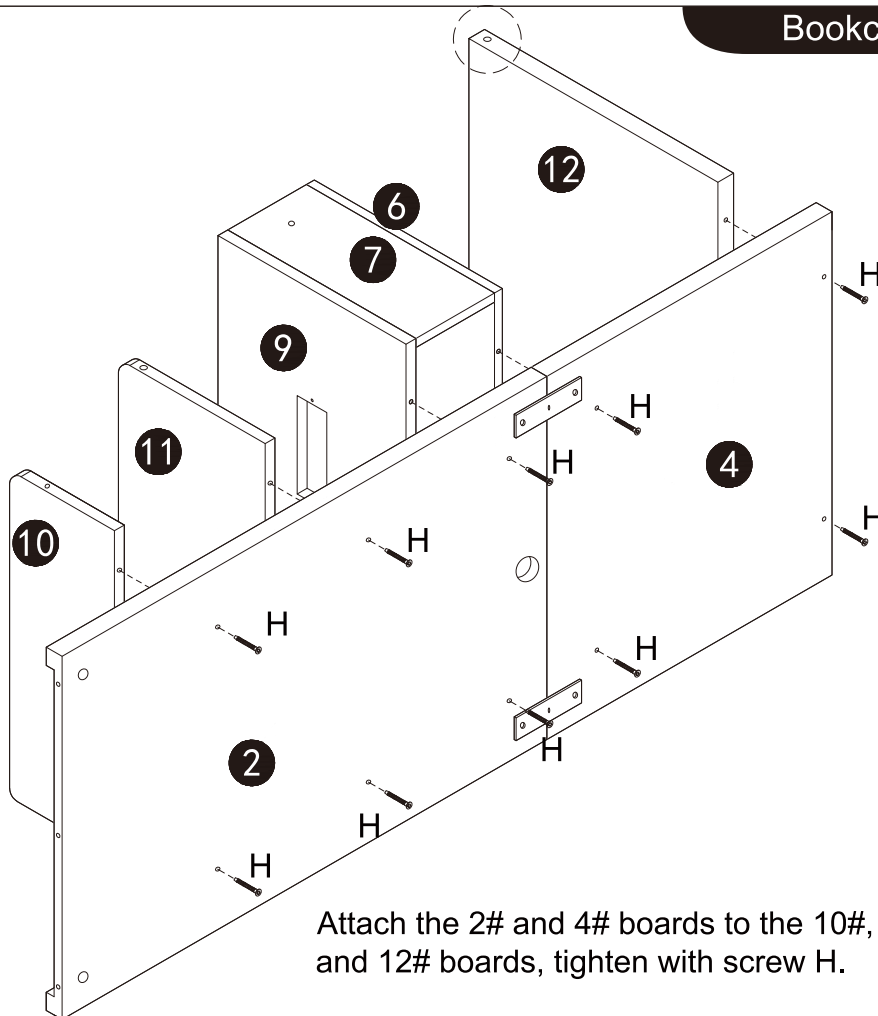
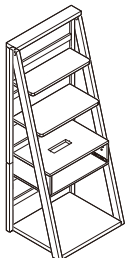
H	4pcs	N	2pcs
M5*40mm		6*30mm	
13/64*1-37/64"		Ø15/64*1-3/16"	

Note: The hole position inside the circle should face.

ASSEMBLY INSTRUCTIONS

Bookcase Section

Step 15

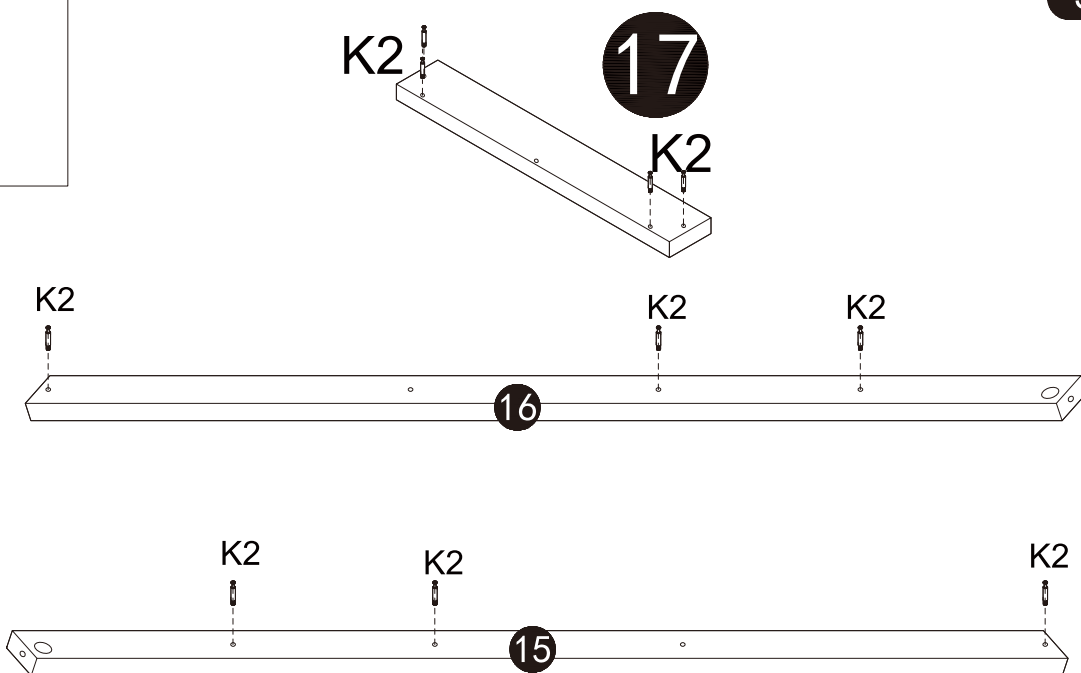
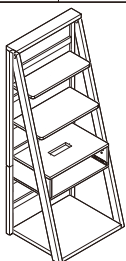


Attach the 2# and 4# boards to the 10#, 11#, 9#, 6# and 12# boards, tighten with screw H.


H	10pcs
	
M5*40mm	
13/64*1-37/64"	

Bookcase Section

Step 16



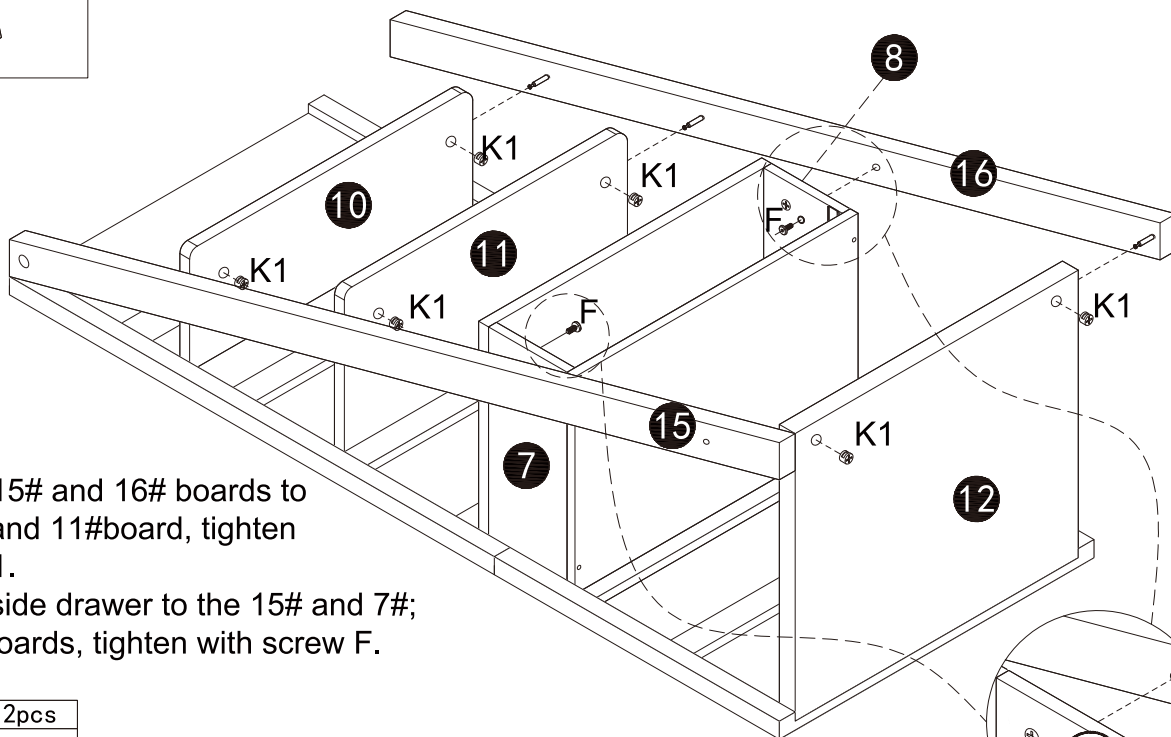
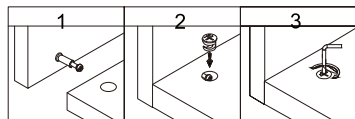
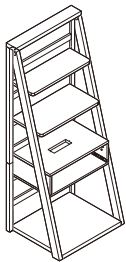
Install K2 on the 15# and 16# boards

K2	10pcs
	
7*35mm	
Ø9/32*1-37/64"	

ASSEMBLY INSTRUCTIONS



Bookcase Section

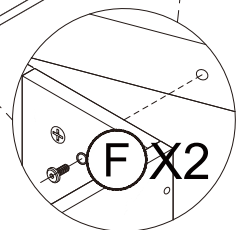
Step 17



a. Attach the 15# and 16# boards to the 12#, 10# and 11# board, tighten with screw K1.

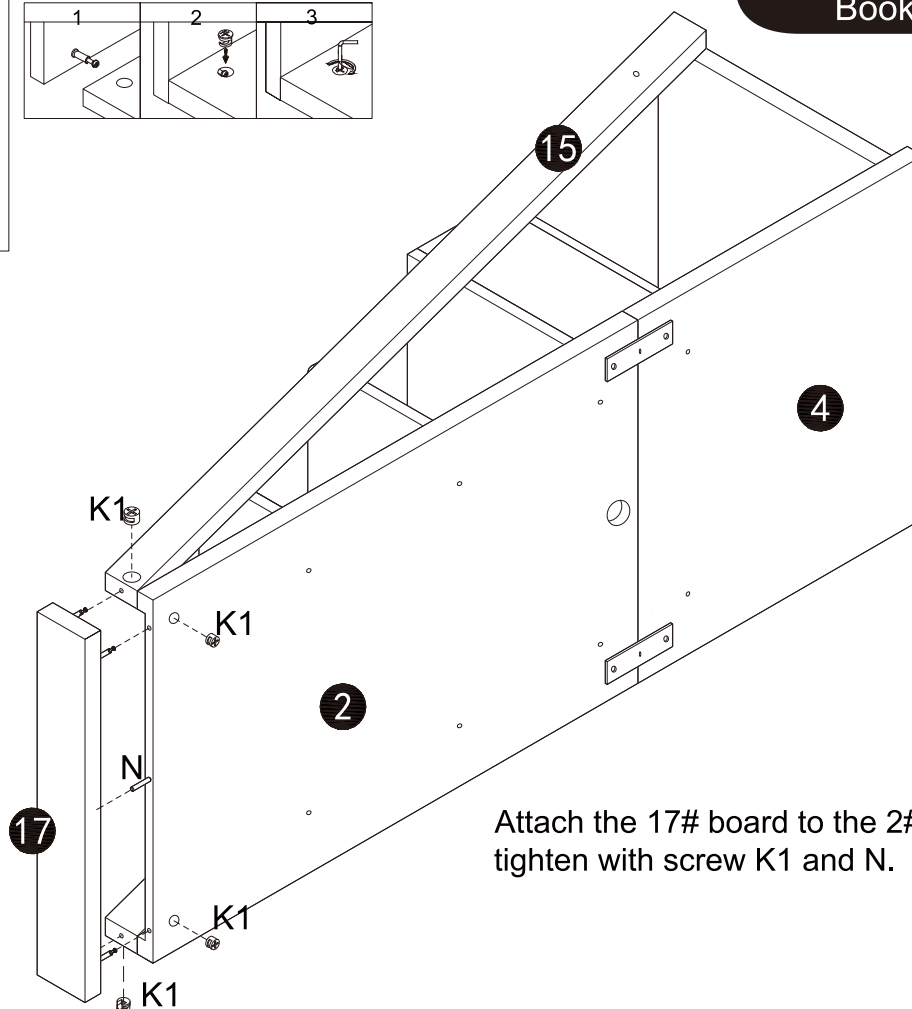
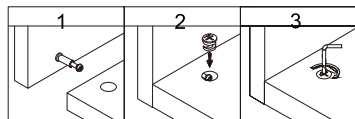
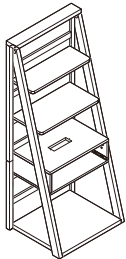
b. Attach the side drawer to the 15# and 7#; 16# and 8# boards, tighten with screw F.

K1	6pcs	F	2pcs
			
15*10mm	M6*20mm		
Ø19/32*25/64"	Ø15/64*25/32"		


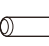


Bookcase Section

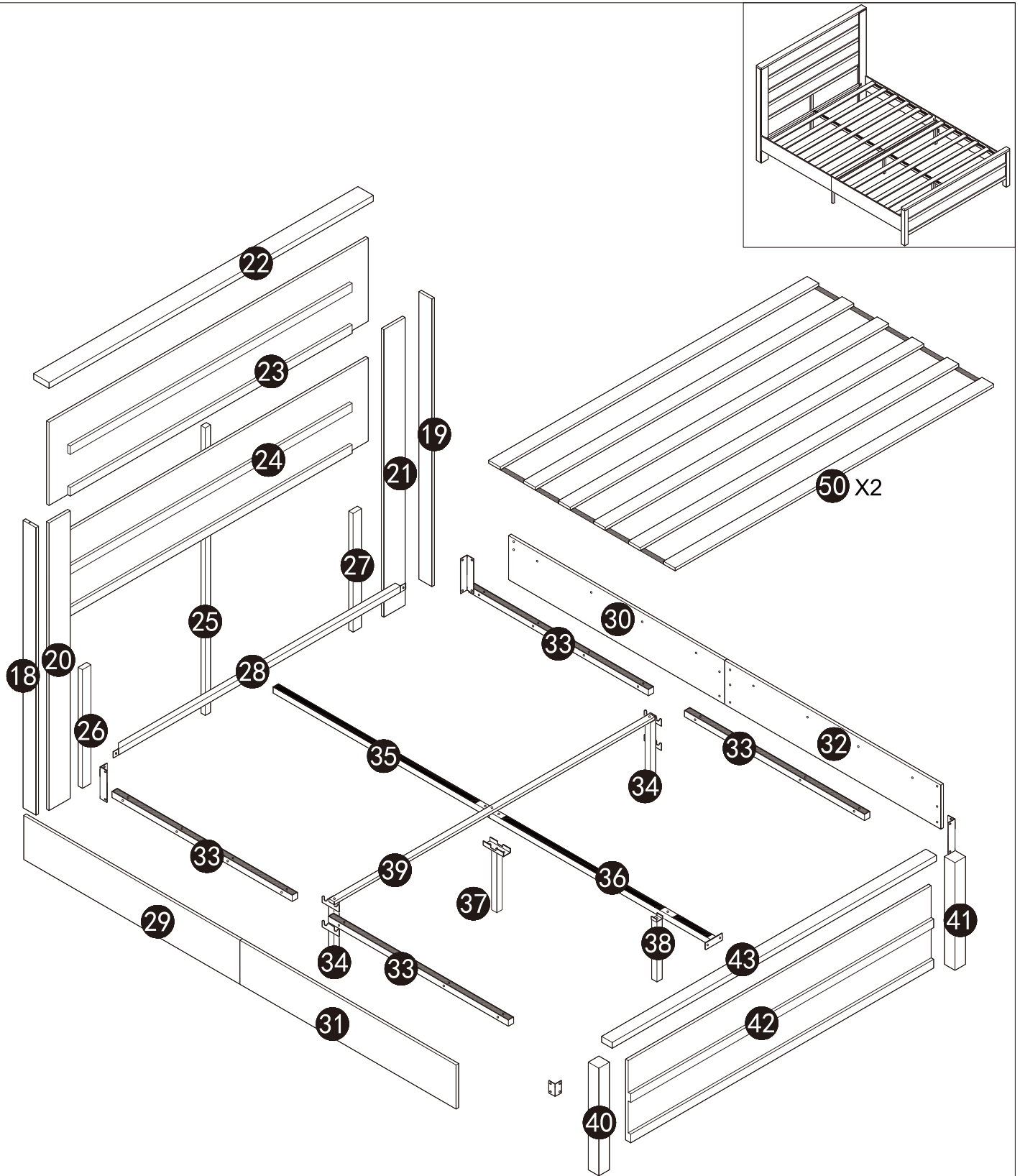
Step 18



Attach the 17# board to the 2# board, tighten with screw K1 and N.

K1	4pcs	N	1pc
			
15*10mm	6*30mm		
Ø19/32*25/64"	Ø15/64*1-3/16"		

ASSEMBLY INSTRUCTIONS

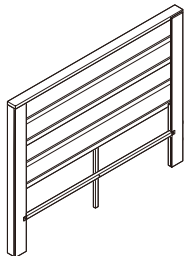


HARDWARE ACCESSORY LIST

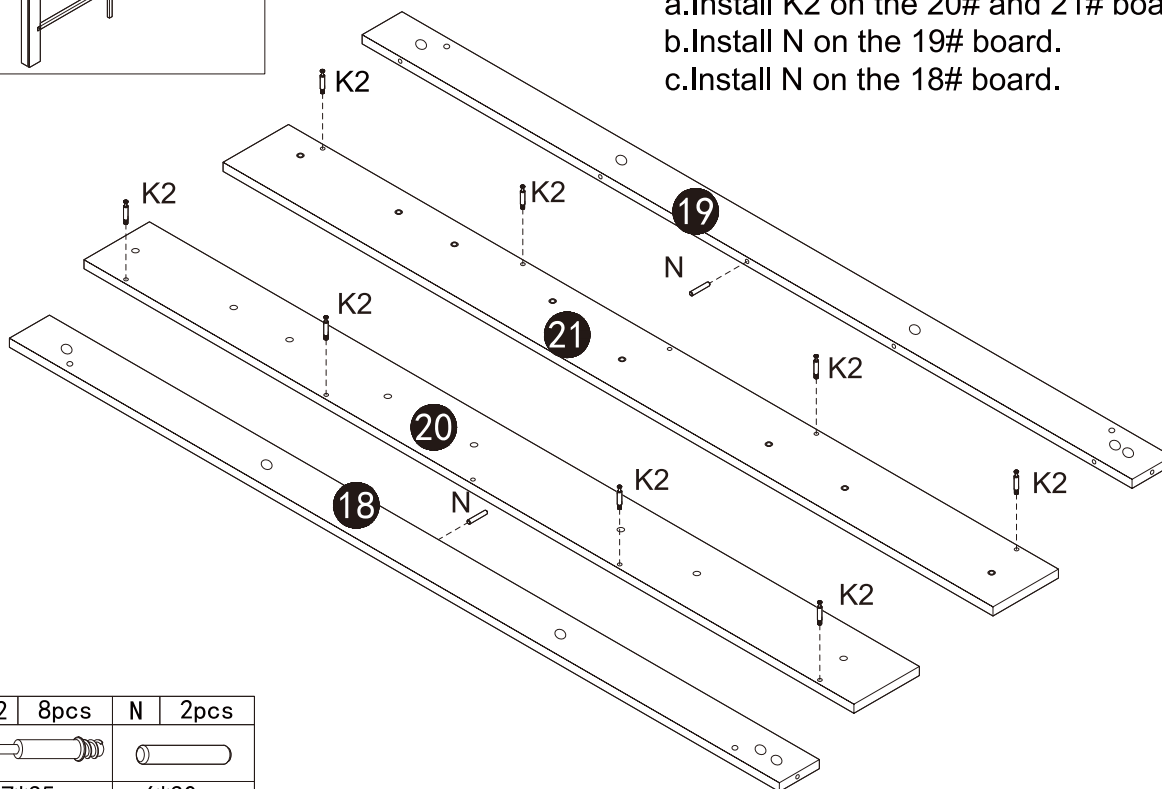
A	3pcs	B	5pcs	C	20pcs	D	28pcs	E	4pcs	F	14pcs	G	28pcs	O	4pcs
M8*60mm		M8*35mm		M6*35mm		Φ 7* Φ 16mm		M6*30mm		M6*20mm		6*12mm			
5/16*2-23/64"		5/16*1-3/8"		15/64*1-3/8"		Ø16/64*19/32"		15/64*1-3/16"		Ø15/64*25/32"		15/64*15/32"			
K1	22pcs	K2	22pcs	N	8pcs	U	4PCS								
15*10mm		7*35mm		6*30mm											
Ø19/32*25/64"		Ø9/32*1-37/64"		Ø15/64*1-3/16"											

Bed Frame Section

Step 19



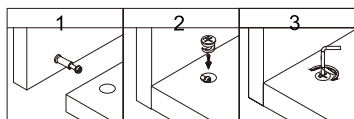
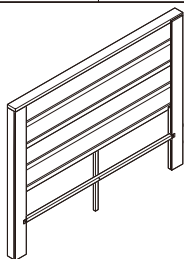
- a. Install K2 on the 20# and 21# boards.
- b. Install N on the 19# board.
- c. Install N on the 18# board.



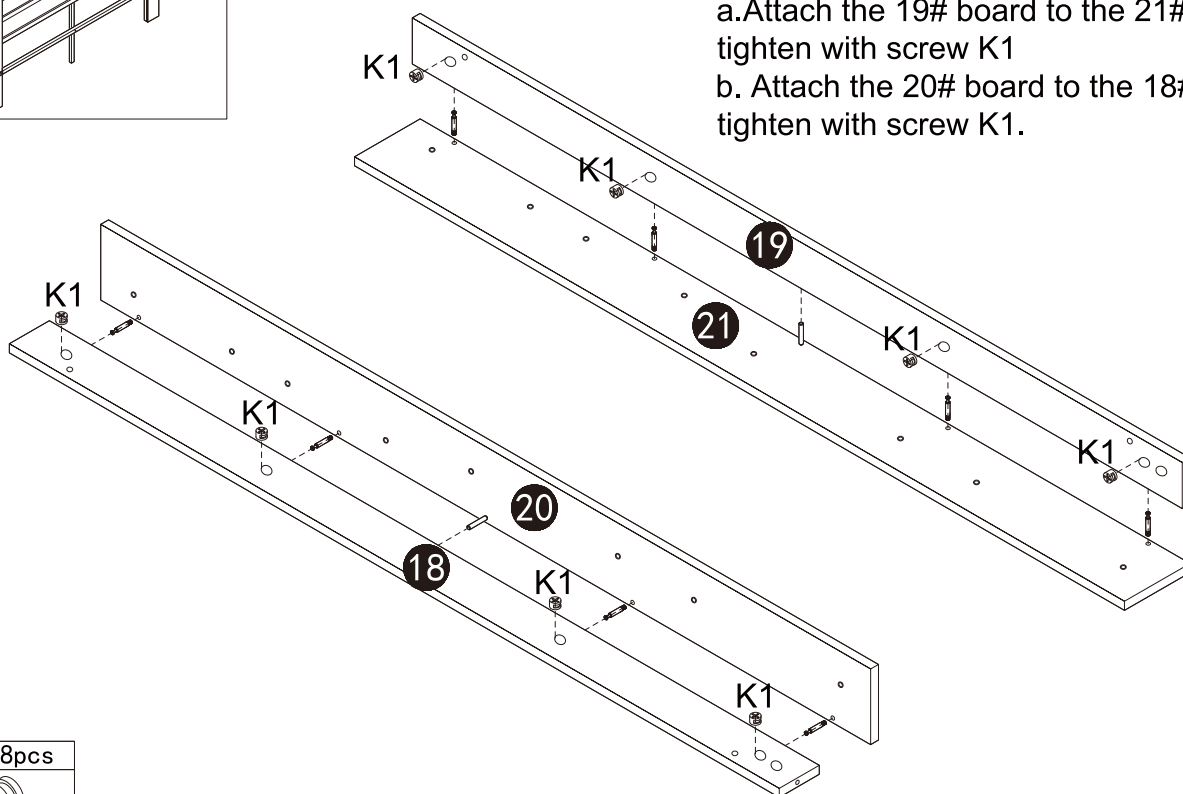
K2	8pcs	N	2pcs
7*35mm		6*30mm	
Ø9/32*1-37/64"		Ø15/64*1-3/16"	

Bed Frame Section

Step 20



- a. Attach the 19# board to the 21# board, tighten with screw K1
- b. Attach the 20# board to the 18# board, tighten with screw K1.

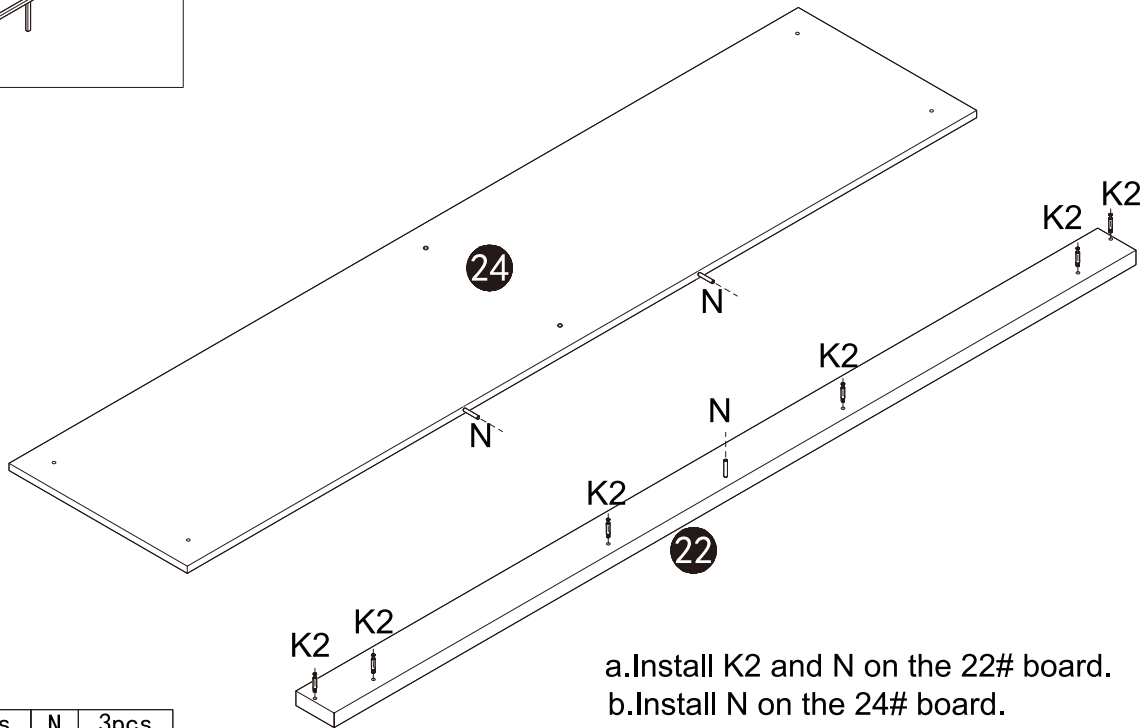
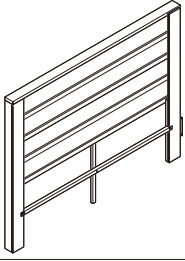


K1	8pcs
15*10mm	
Ø19/32*25/64"	

ASSEMBLY INSTRUCTIONS

Bed Frame Section

Step 21

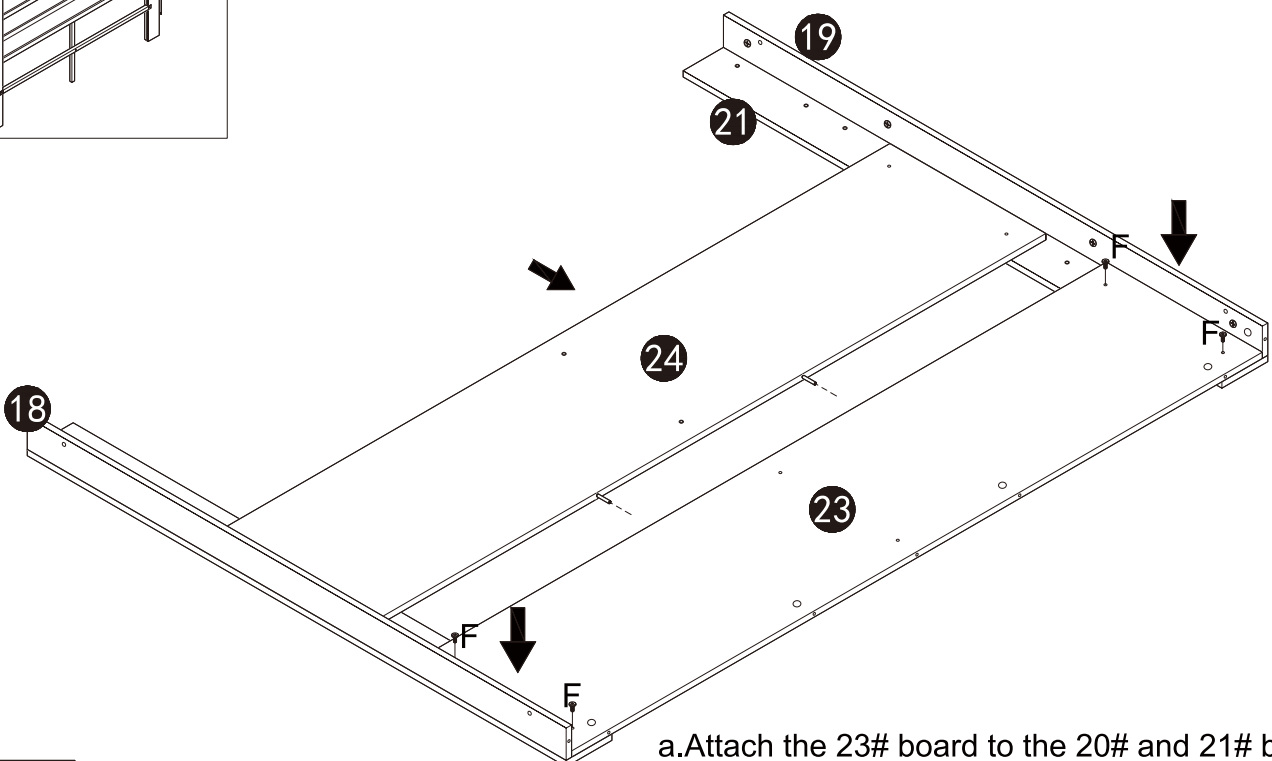
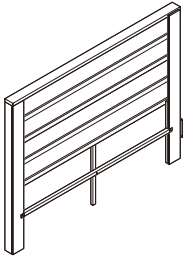


- Install K2 and N on the 22# board.
- Install N on the 24# board.

K2	6pcs	N	3pcs
7*35mm		6*30mm	
Ø9/32*1-37/64"		Ø15/64*1-3/16"	

Bed Frame Section

Step 22



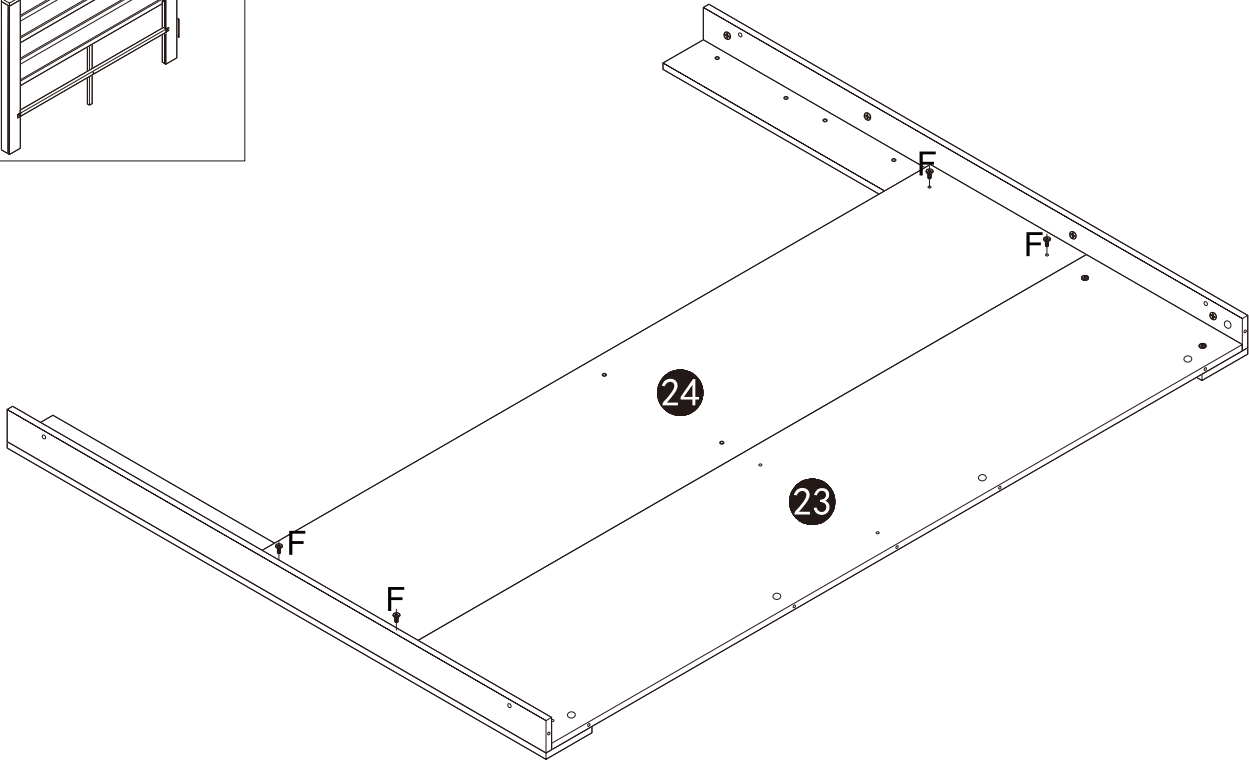
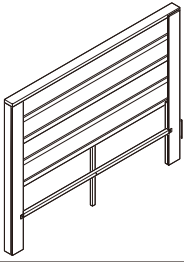
- Attach the 23# board to the 20# and 21# boards, tighten with screw F.
- Attach the 24# board to the 23# board using a wooden dowel.

F	4pcs
M6*20mm	
Ø15/64*25/32"	

ASSEMBLY INSTRUCTIONS

Bed Frame Section

Step 23

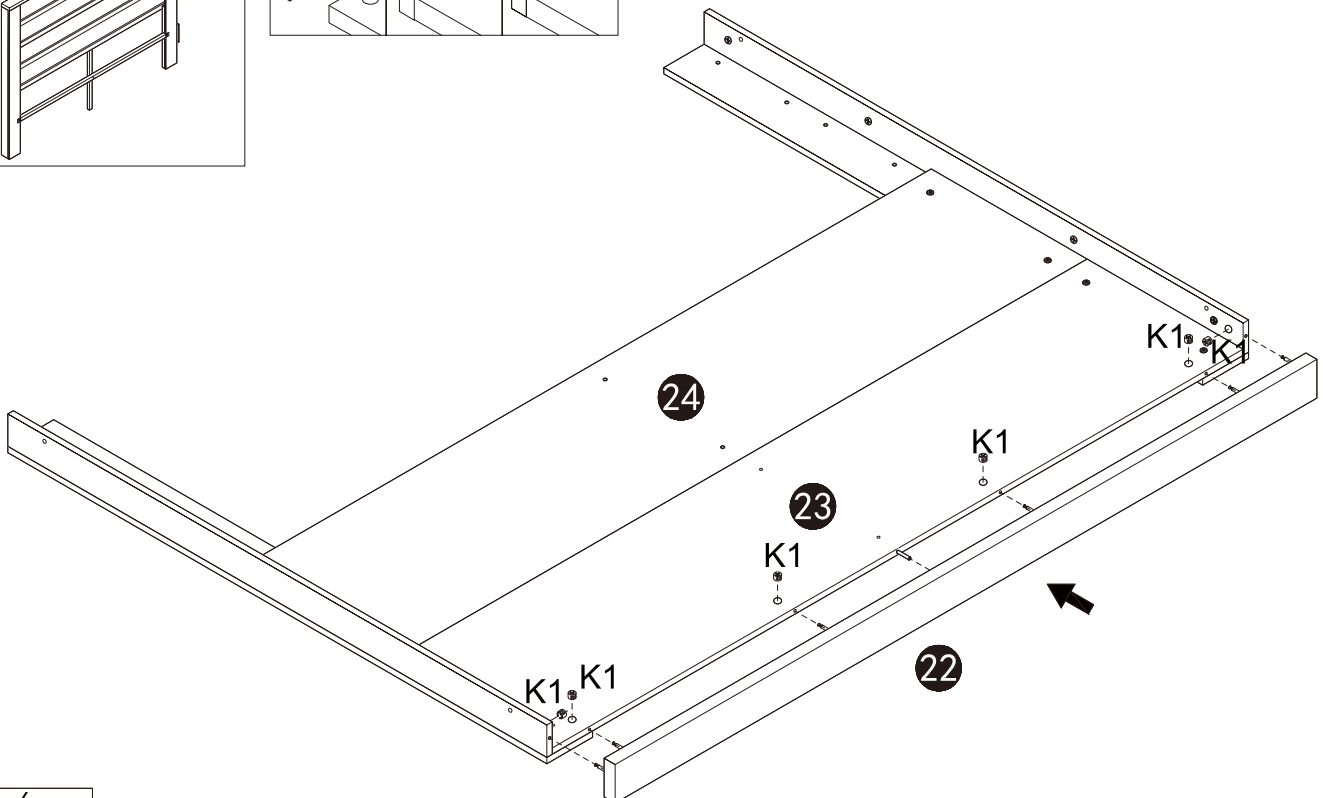
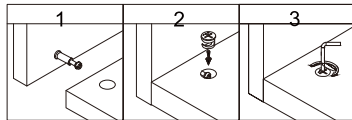
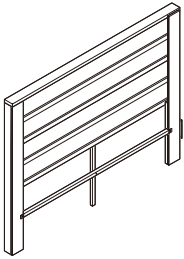


Attach the 24# board to the 20# and 21# boards, tighten with screw F.

F	4pcs
	
M6*20mm	
Ø15/64*25/32"	

Bed Frame Section

Step 24



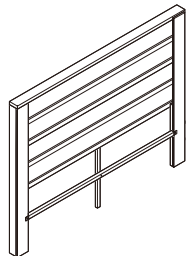
Attach the 22# board to the 23# board, tighten with screw K1.

K1	6pcs
	
15*10mm	
Ø19/32*25/64"	

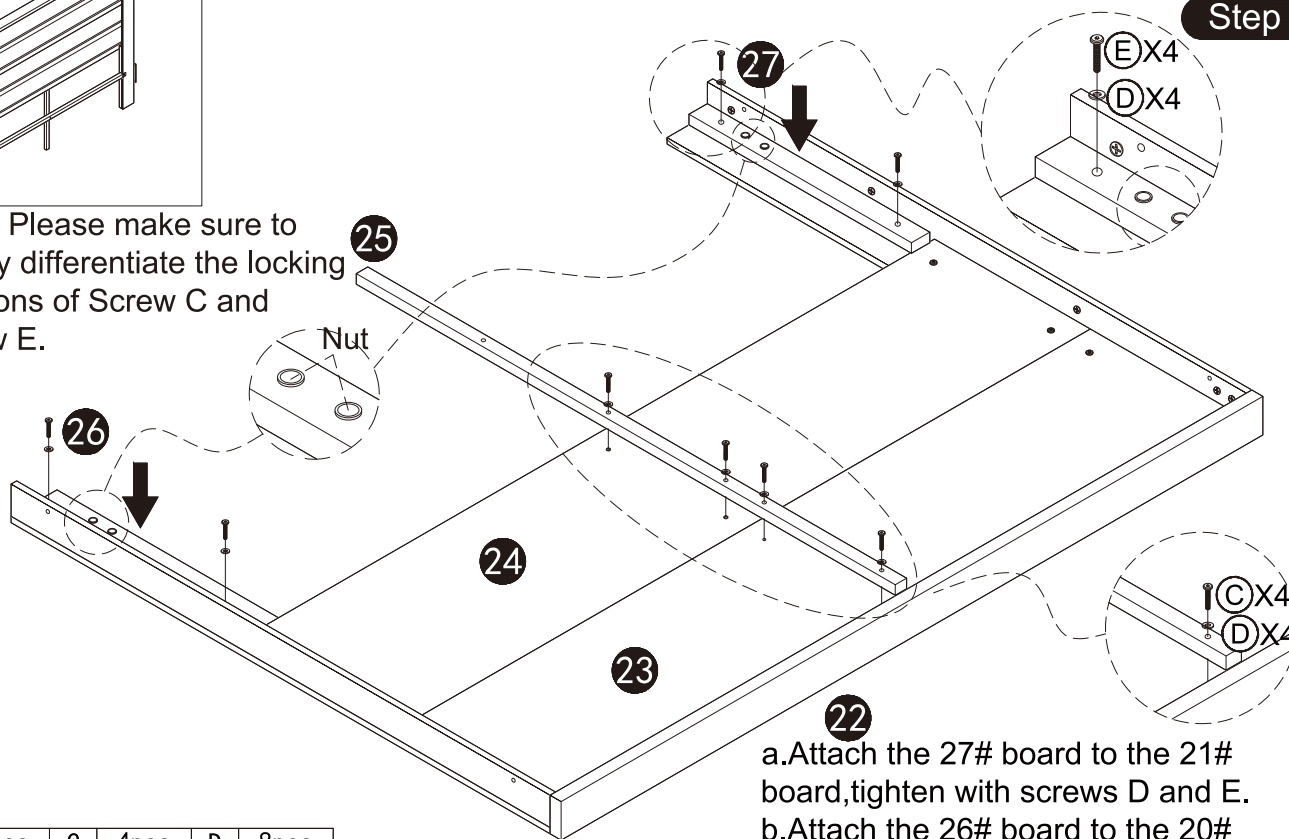
ASSEMBLY INSTRUCTIONS

Bed Frame Section




Step 25



Note: Please make sure to clearly differentiate the locking positions of Screw C and Screw E.

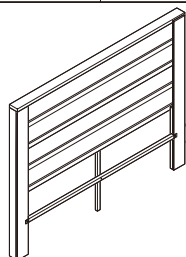


- a. Attach the 27# board to the 21# board, tighten with screws D and E.
- b. Attach the 26# board to the 20# board, tighten with screws D and E.
- c. Attach the 25# board to the headboard, tighten with screw C.

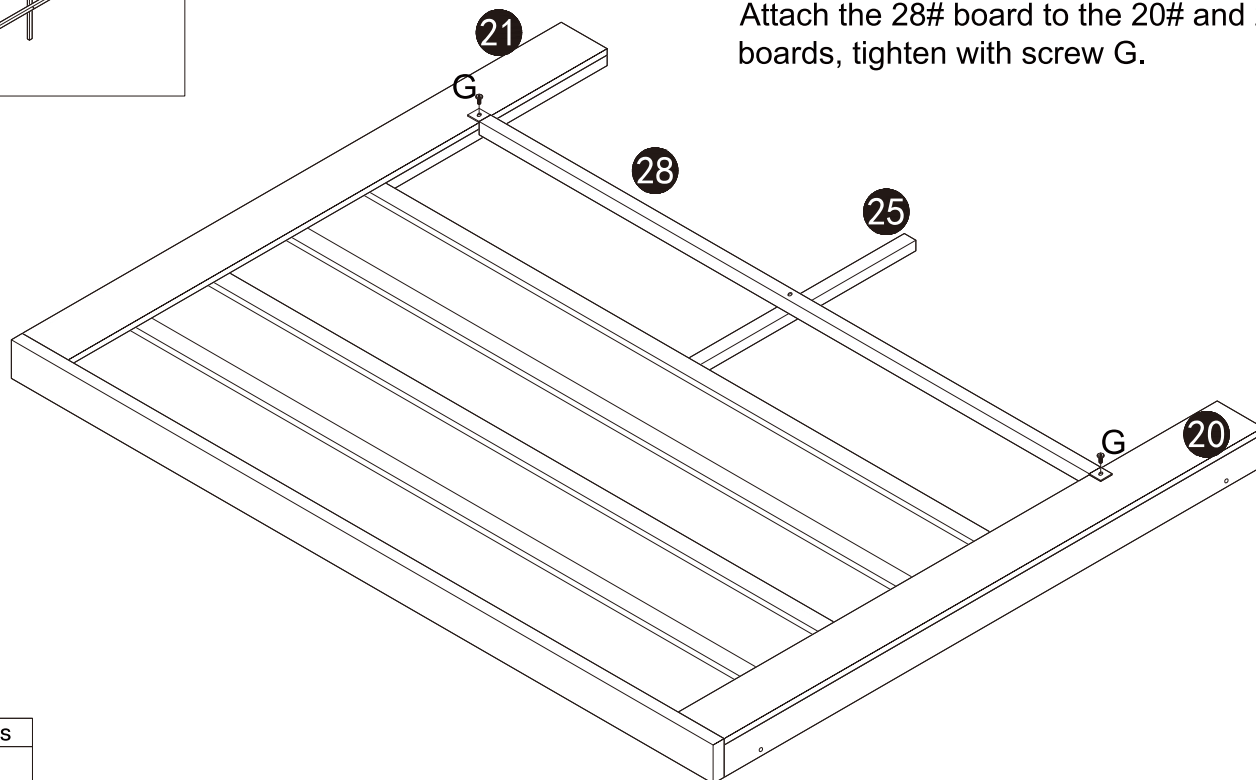
E	4pcs	C	4pcs	D	8pcs
					
M6*30mm		M6*35mm		Φ 6* Φ 16mm	
15/64*1-3/16"		15/64*1-3/8"		Ø16/64*19/32"	


Bed Frame Section

Step 26



Attach the 28# board to the 20# and 21# boards, tighten with screw G.

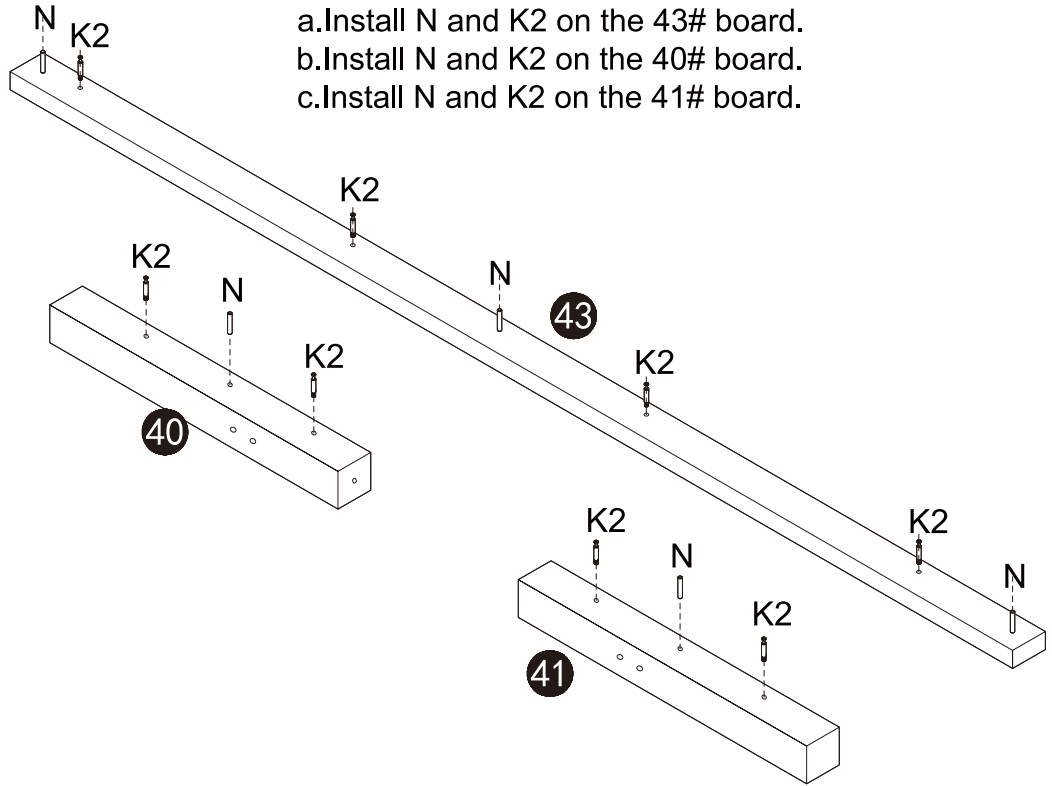
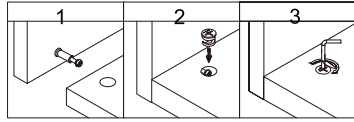
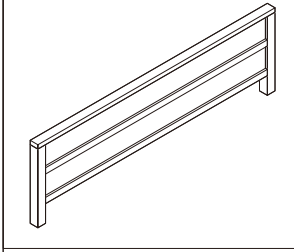


G	2pcs
	
6*12mm	
15/64*15/32"	

ASSEMBLY INSTRUCTIONS

Bed Frame Section

Step 27

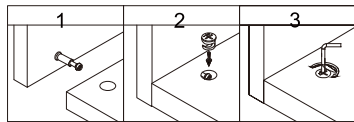
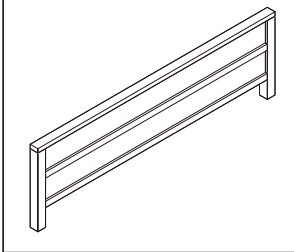


- a. Install N and K2 on the 43# board.
- b. Install N and K2 on the 40# board.
- c. Install N and K2 on the 41# board.

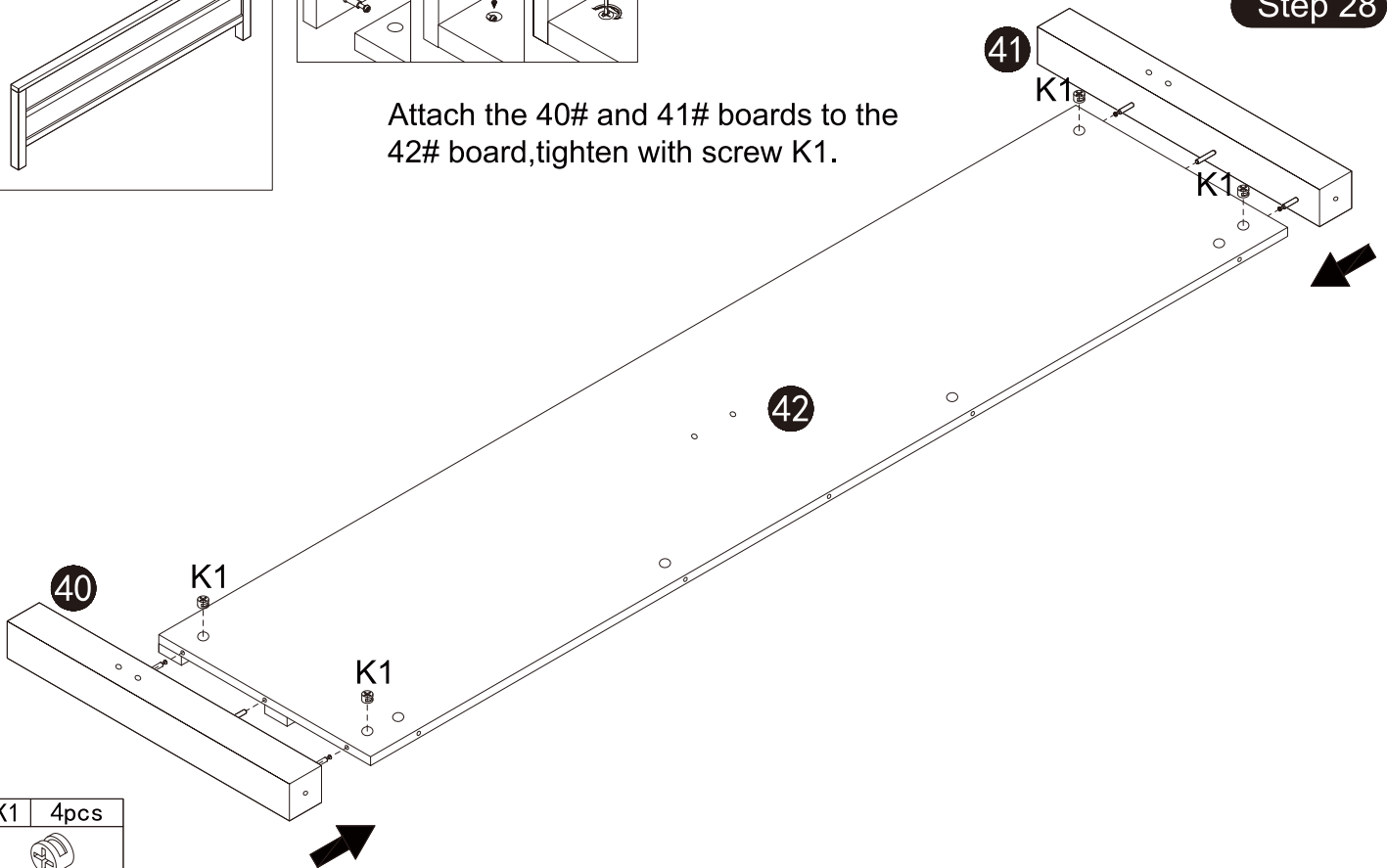
K2	8pcs	N	5pcs
7*35mm		6*30mm	
Ø9/32*1-37/64"		Ø15/64*1-3/16"	

Bed Frame Section

Step 28



Attach the 40# and 41# boards to the 42# board, tighten with screw K1.

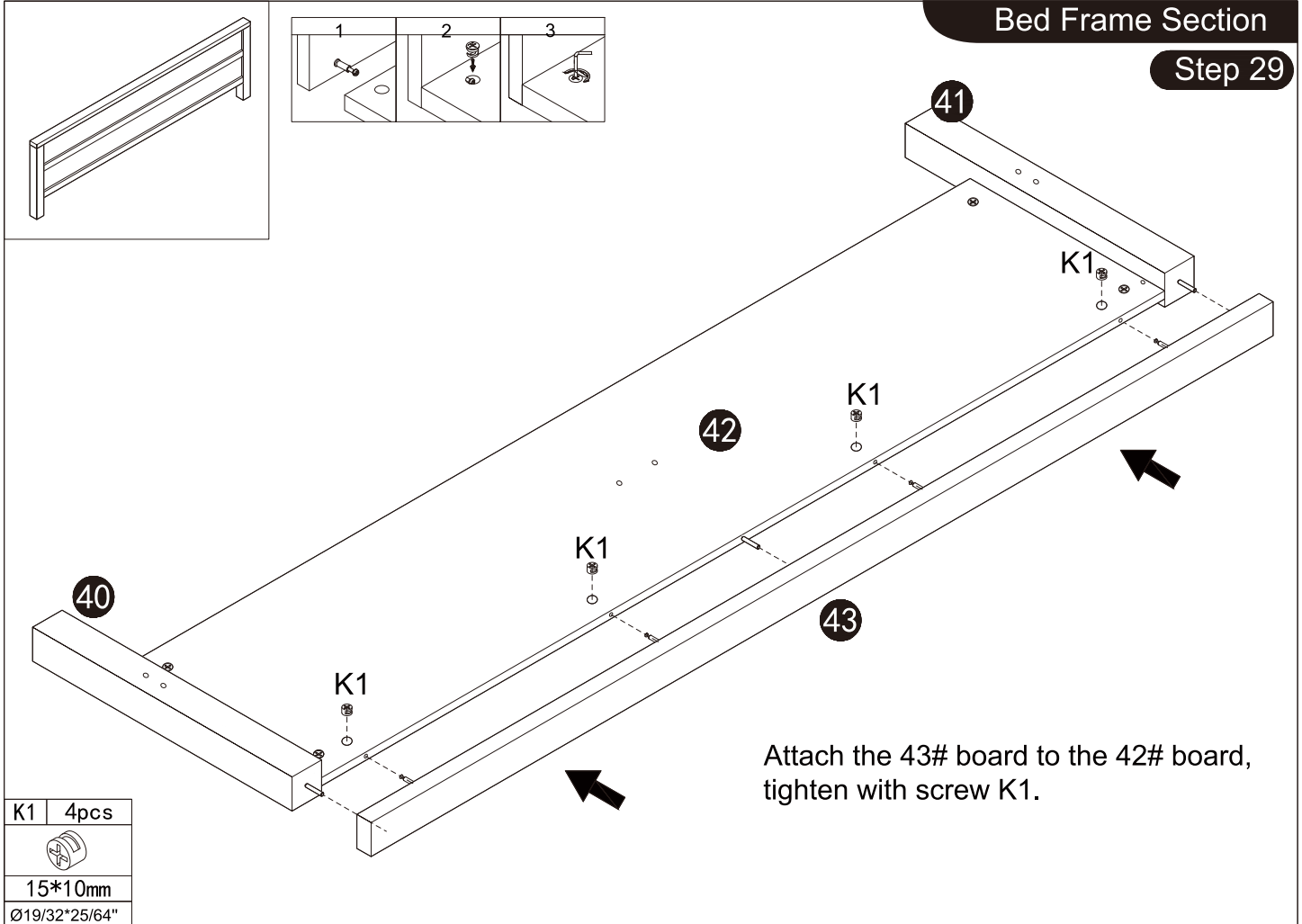


K1	4pcs
15*10mm	
Ø19/32*25/64"	

ASSEMBLY INSTRUCTIONS

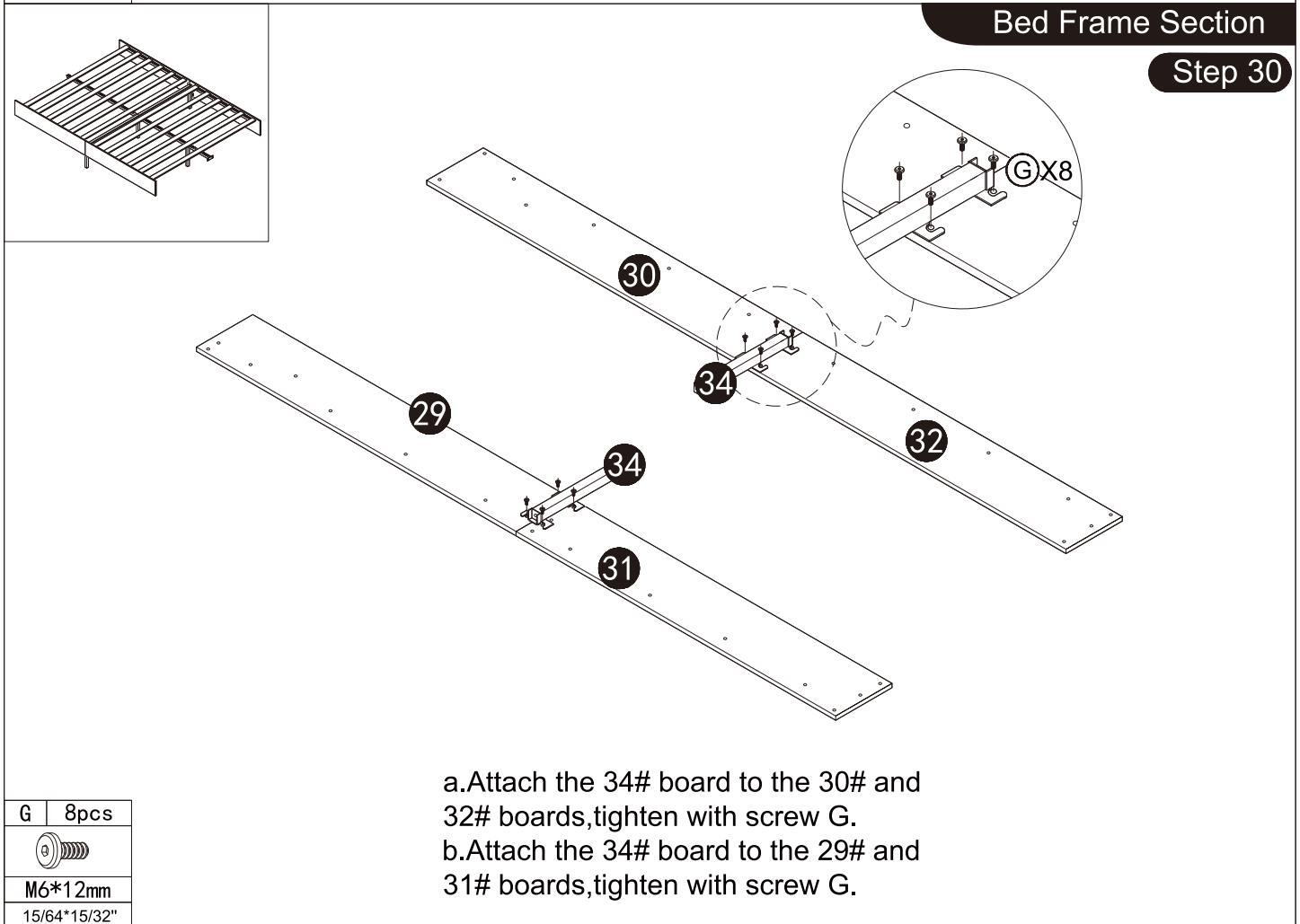
Bed Frame Section

Step 29



Bed Frame Section

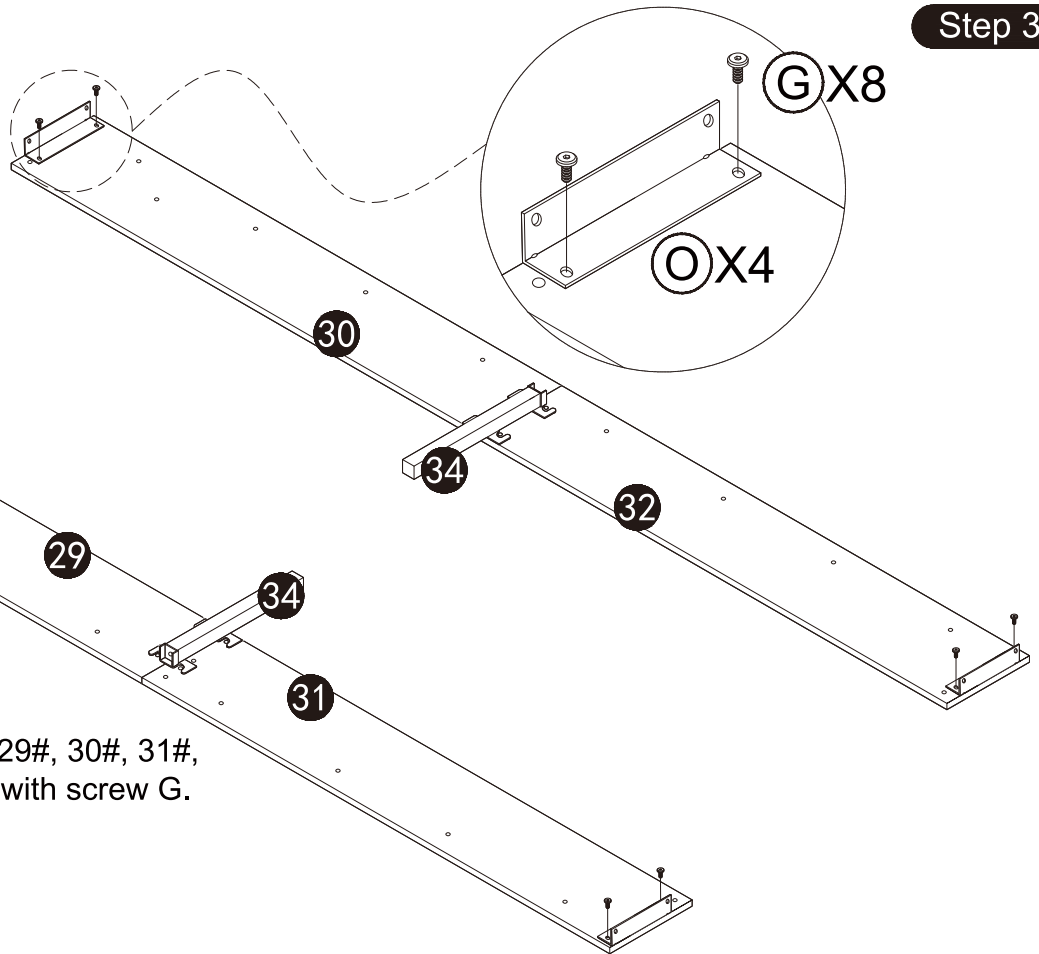
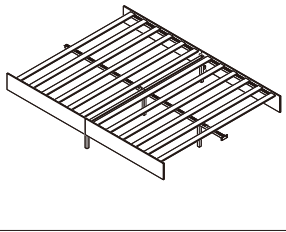
Step 30





ASSEMBLY INSTRUCTIONS

Bed Frame Section

Step 31

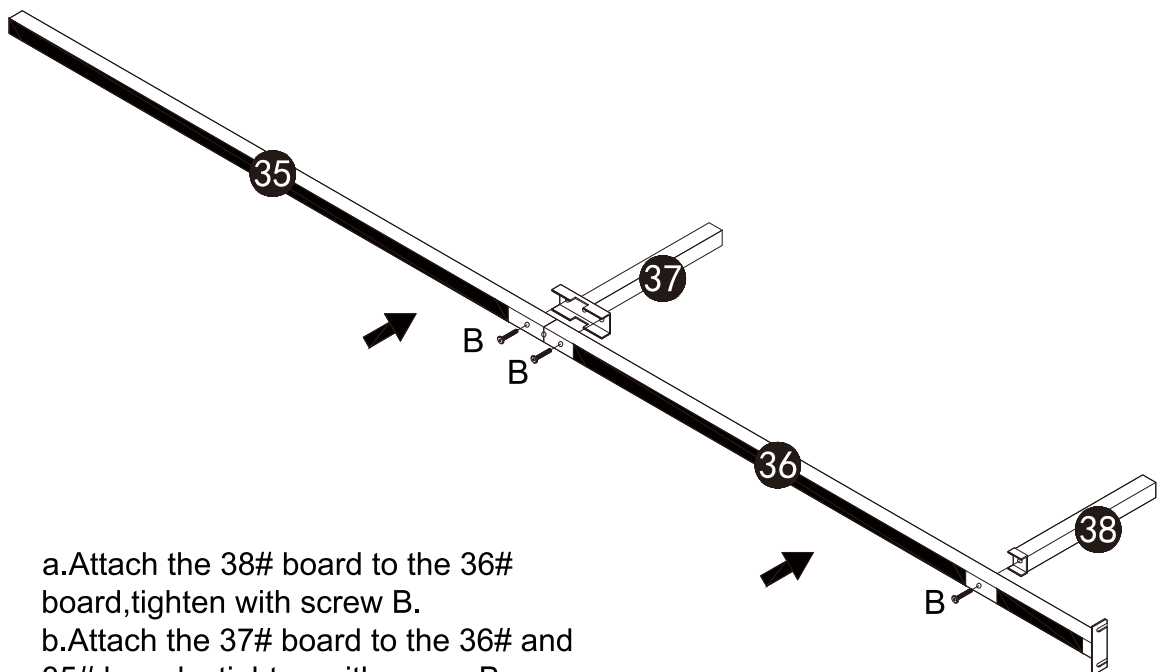
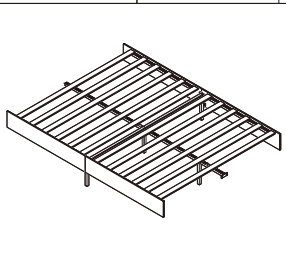


Attach the O part to the 29#, 30#, 31#, and 32# boards, tighten with screw G.


G	8pcs	O	4pcs
			
M6*12mm			
5/16*15/32"			

Bed Frame Section

Step 32



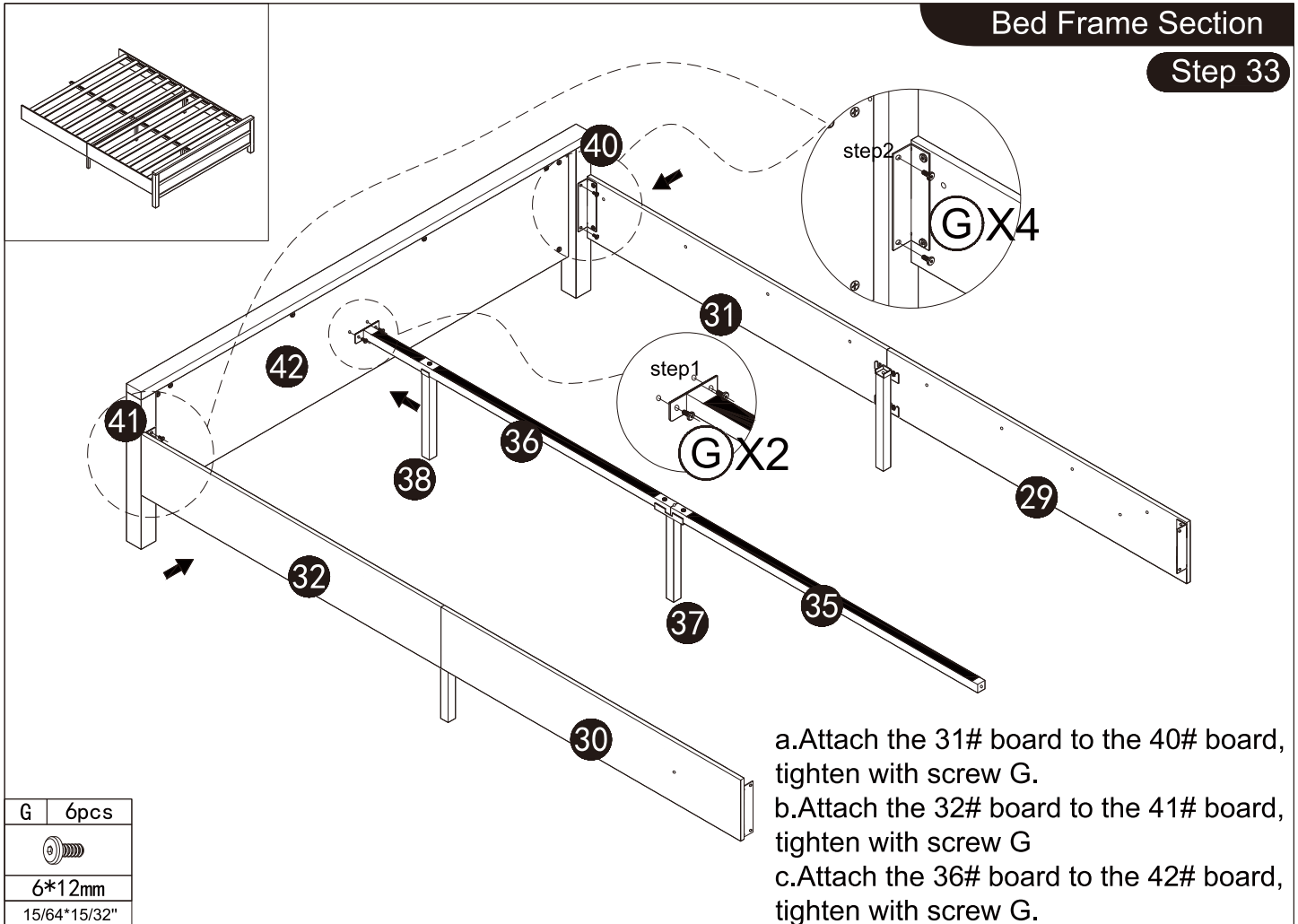
a. Attach the 38# board to the 36# board, tighten with screw B.
 b. Attach the 37# board to the 36# and 35# boards, tighten with screw B.

B	3pcs
	
M8*35mm	
5/16*1-3/8"	

ASSEMBLY INSTRUCTIONS

Bed Frame Section

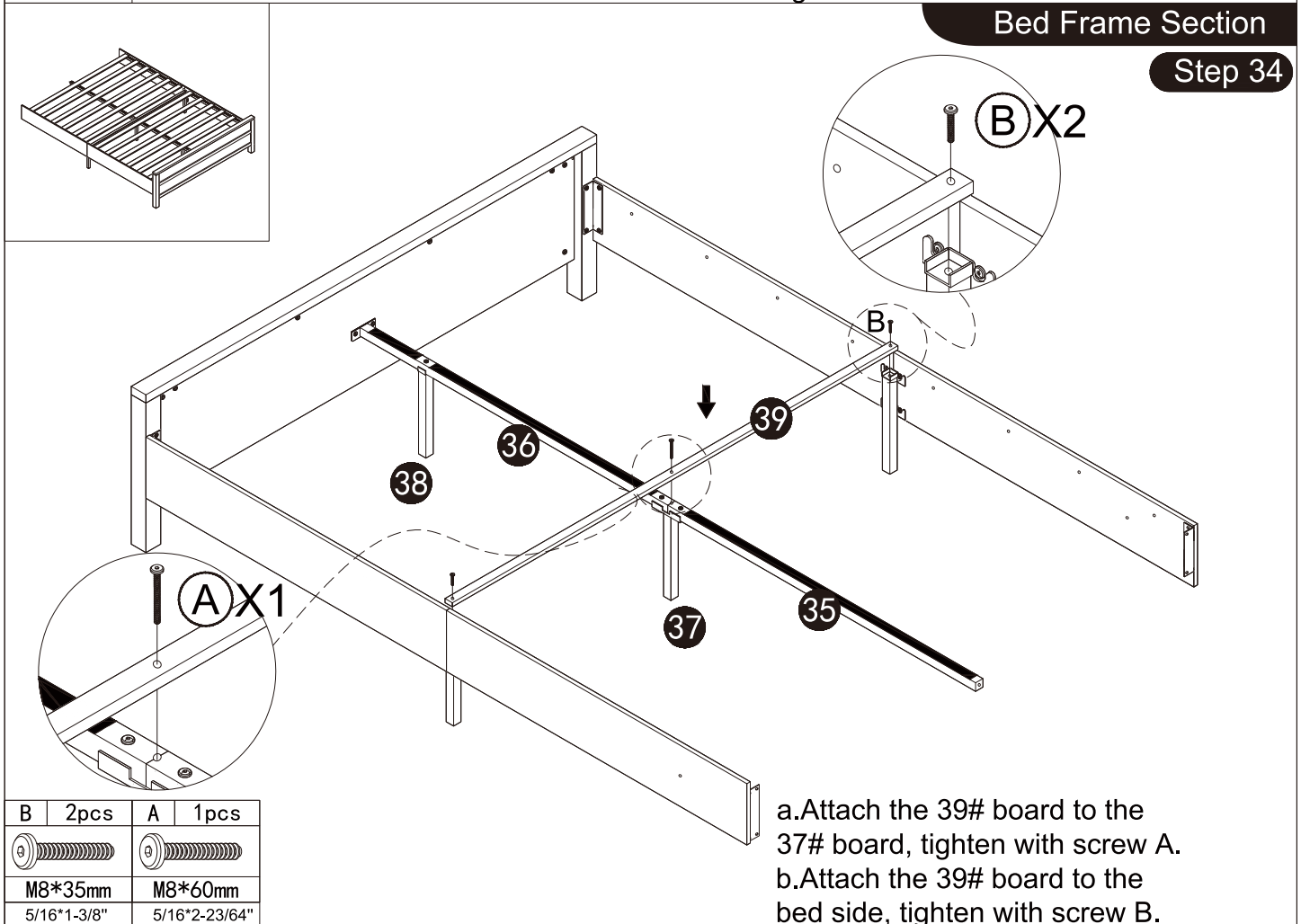
Step 33



- a. Attach the 31# board to the 40# board, tighten with screw G.
- b. Attach the 32# board to the 41# board, tighten with screw G
- c. Attach the 36# board to the 42# board, tighten with screw G.

Bed Frame Section

Step 34

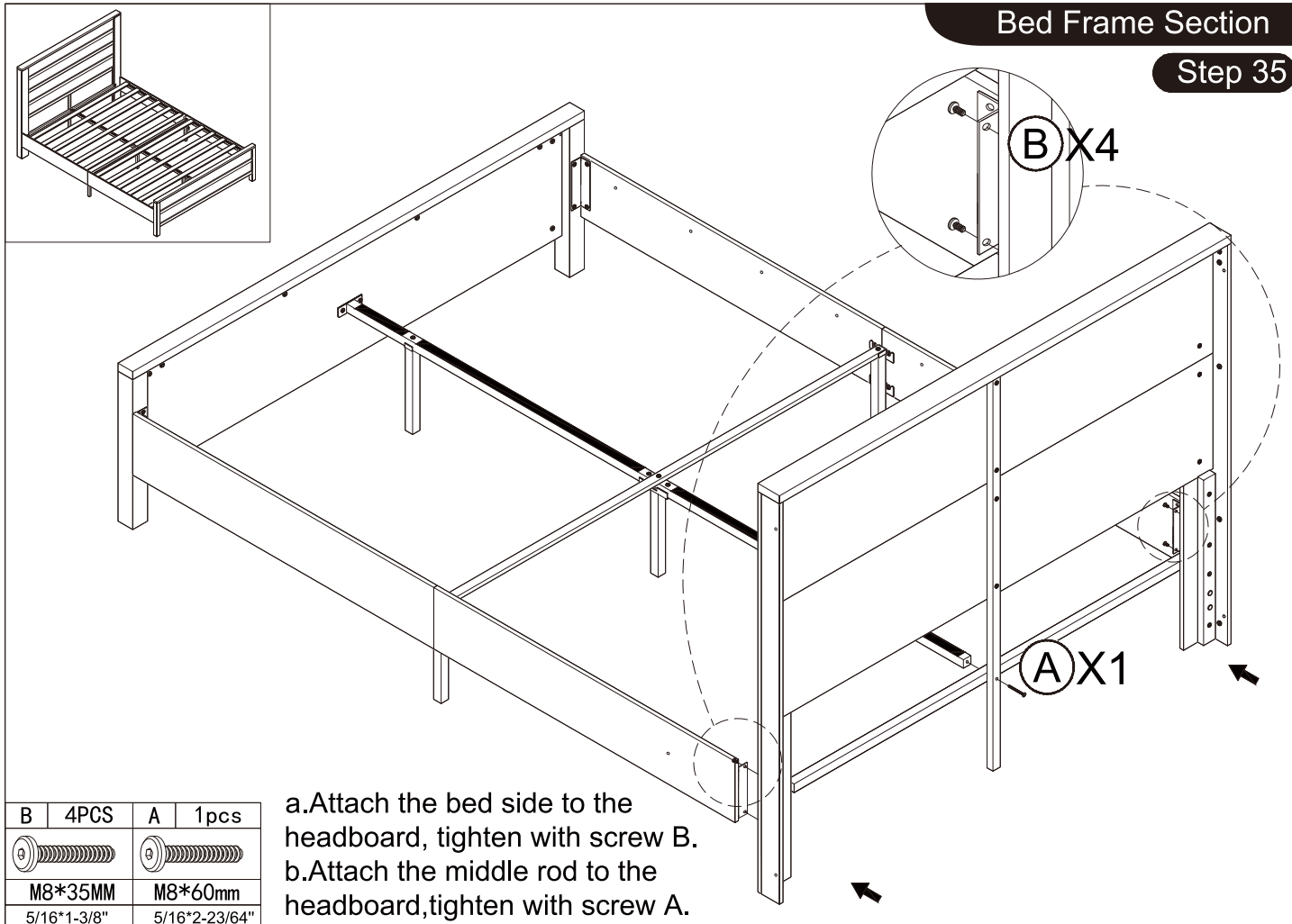




- a. Attach the 39# board to the 37# board, tighten with screw A.
- b. Attach the 39# board to the bed side, tighten with screw B.

ASSEMBLY INSTRUCTIONS

Bed Frame Section

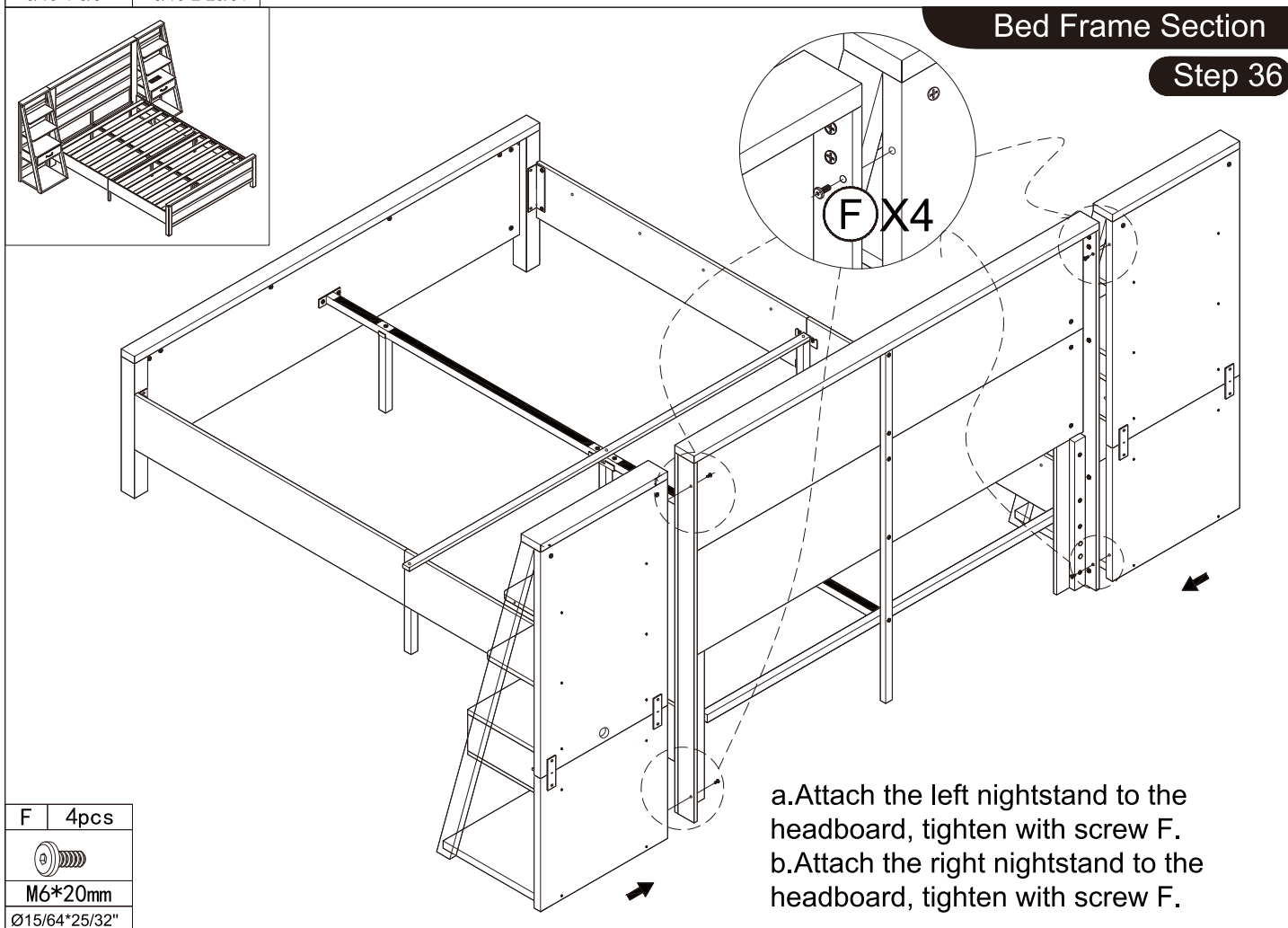
Step 35




B	4PCS	A	1pcs
			
M8*35MM		M8*60mm	
5/16*1-3/8"		5/16*2-23/64"	

Bed Frame Section

Step 36



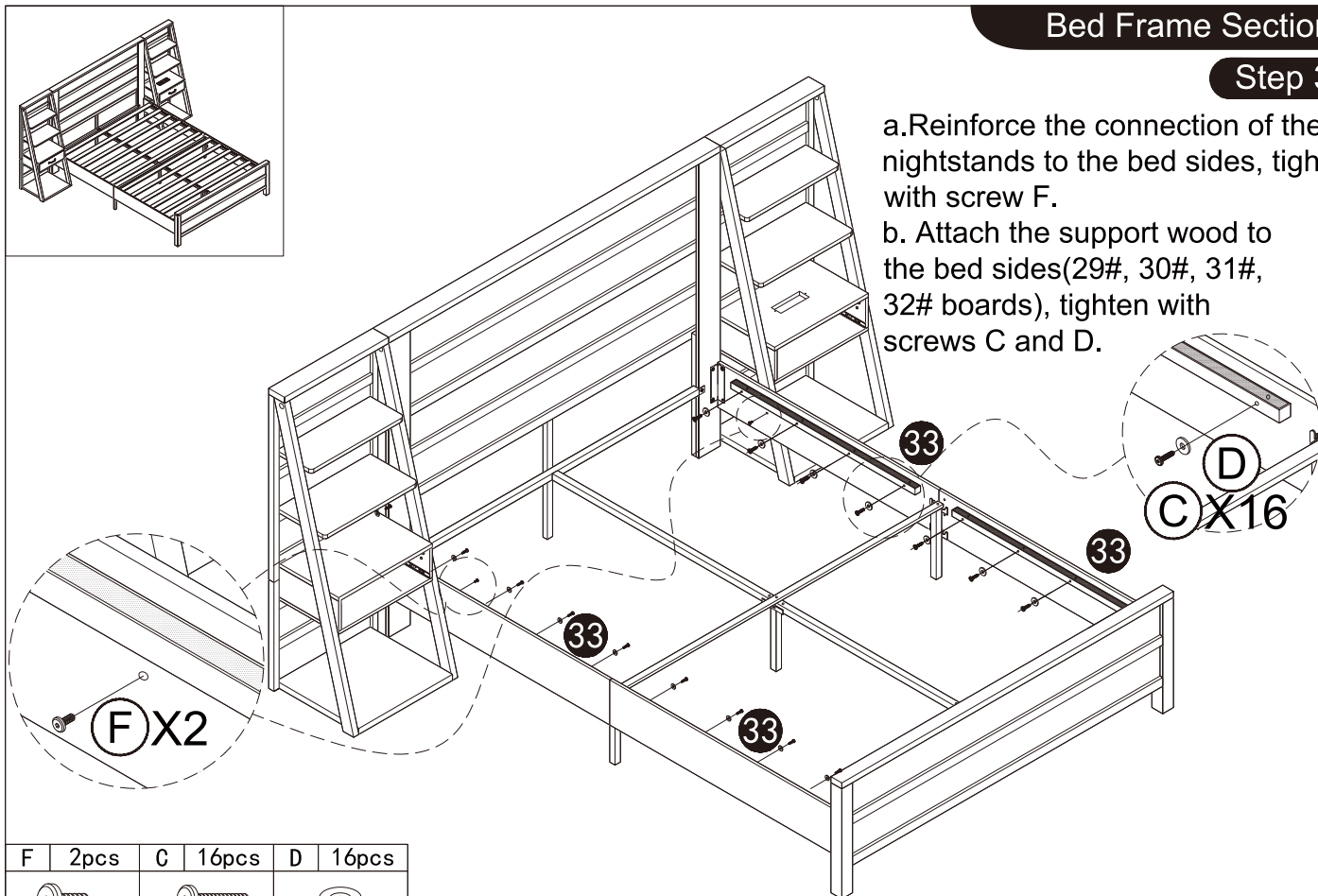
F	4pcs
	
M6*20mm	
Ø15/64*25/32"	


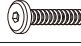

ASSEMBLY INSTRUCTIONS

Bed Frame Section

Step 37

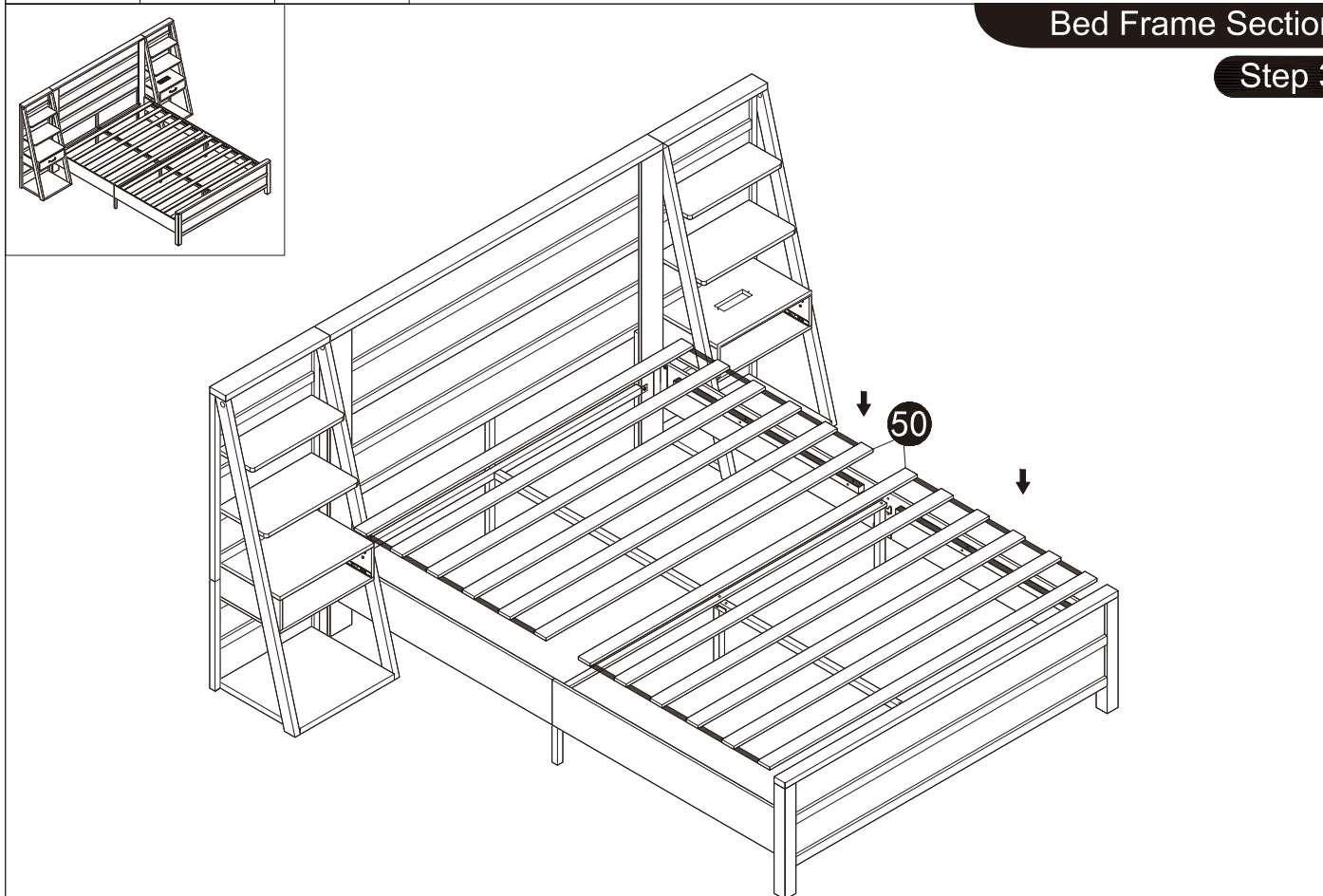
- a. Reinforce the connection of the nightstands to the bed sides, tighten with screw F.
- b. Attach the support wood to the bed sides (29#, 30#, 31#, 32# boards), tighten with screws C and D.



F	2pcs	C	16pcs	D	16pcs
					
M6*20mm		M6*35mm		Φ 6*Φ 16mm	
Ø15/64*25/32"		15/64*1-3/8"		Ø16/64*19/32"	

Bed Frame Section

Step 38

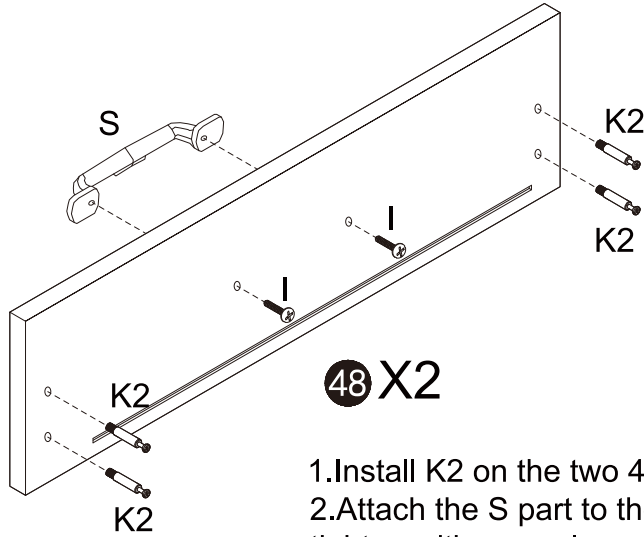
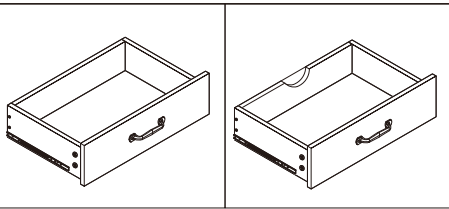


Place the 50# slats on the support wood.

ASSEMBLY INSTRUCTIONS

Bed Frame Section

Step 39

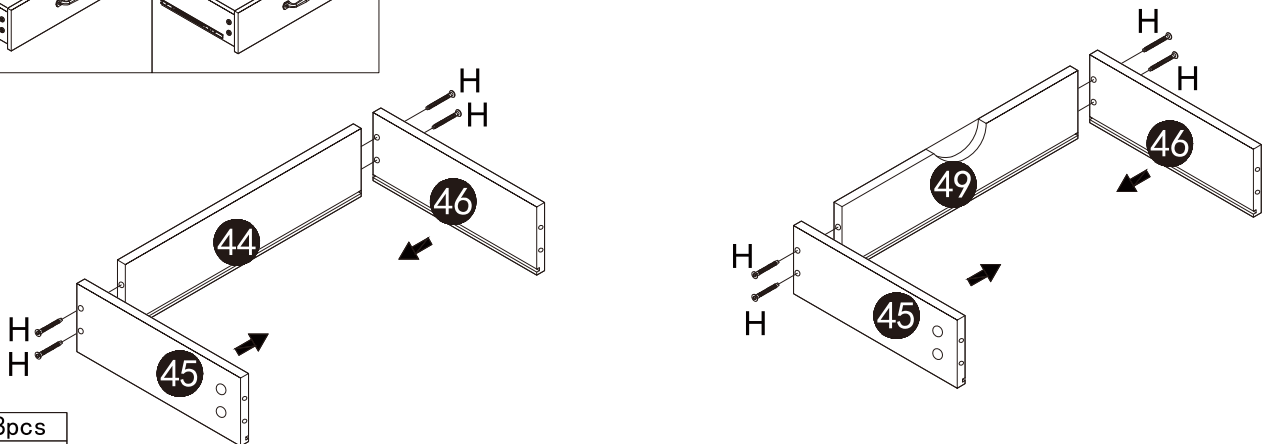
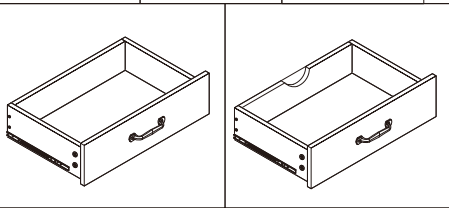


K2	8pcs	I	4pcs	S	2pcs
	7*40mm		M4*16mm		
	Ø9/32*1-37/64"		5/32*19/32"		

1. Install K2 on the two 48# boards.
2. Attach the S part to the 48# board, tighten with screw I.

Bed Frame Section

Step 40

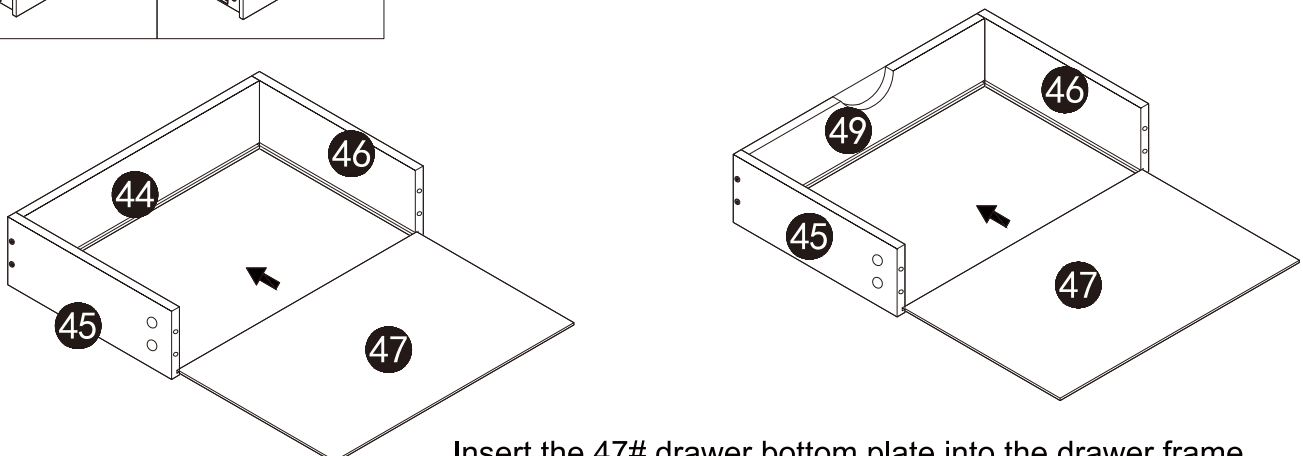
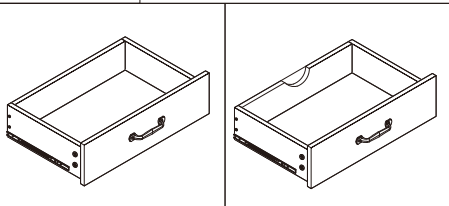


H	8pcs
	M5*40mm
	13/64*1-37/64"

1. Attach the 44# board to the 45# and 46# boards, tighten with screw H.
2. Attach the 49# board to the 45# and 46# boards, tighten with screw H.

Bed Frame Section

Step 41

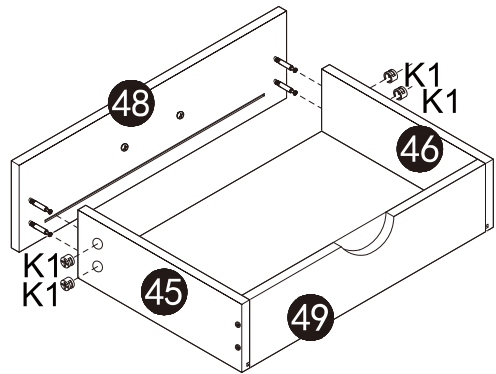
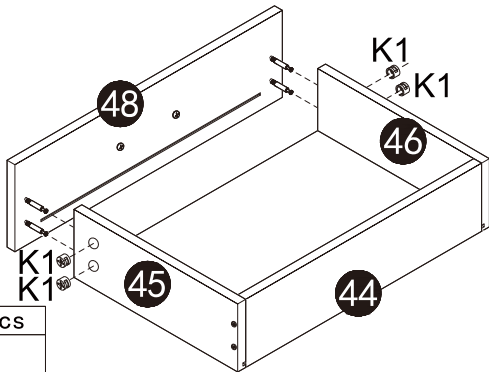
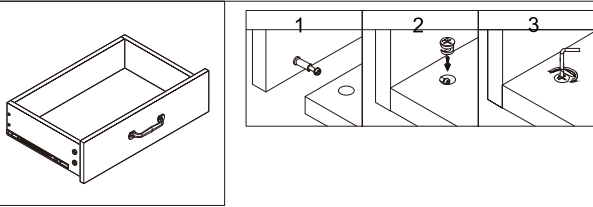


Insert the 47# drawer bottom plate into the drawer frame along the slot.

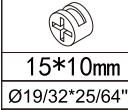
ASSEMBLY INSTRUCTIONS

Bed Frame Section

Step 42



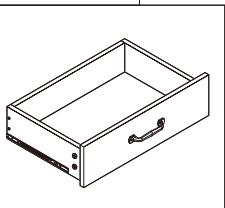
K1 8pcs



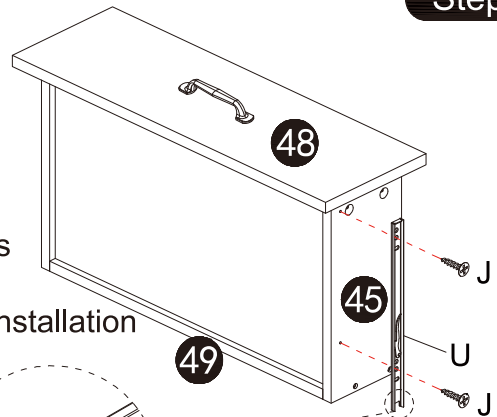
Attach the 48# board to the 45# and 46# boards, tighten with screw K1.

Bed Frame Section

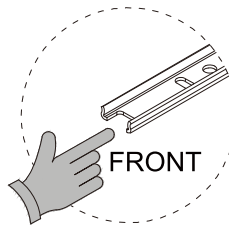
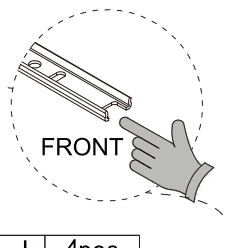
Step 43



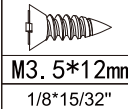
Attach the U part to the 45# and 46# boards, tighten with screw J.



Note:
Follow the hole positions shown in the diagram for installation



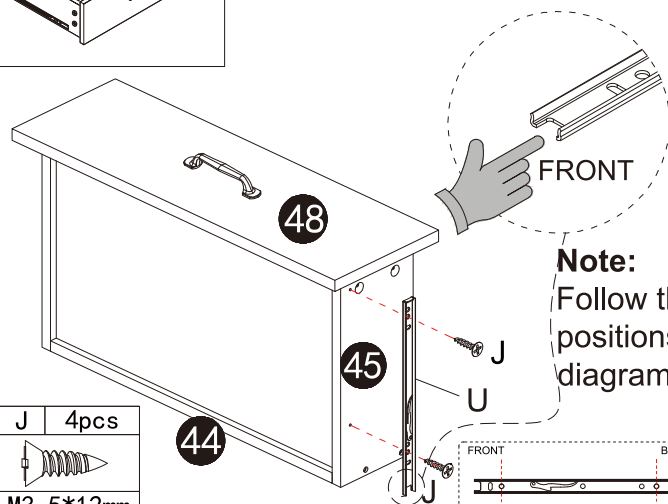
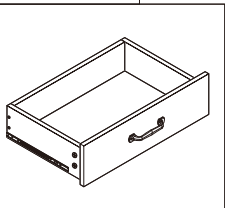
J 4pcs



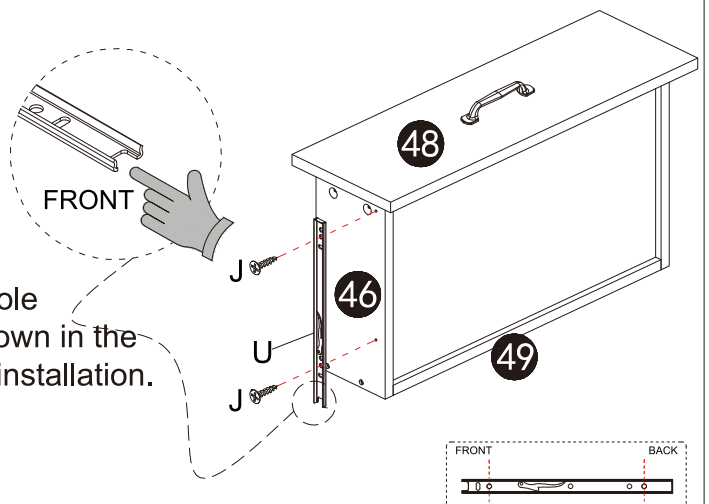
Attach the U part to the other side of the 45# and 46# boards, tighten with screw J.

Bed Frame Section

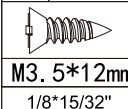
Step 44



Note:
Follow the hole positions shown in the diagram for installation.



J 4pcs

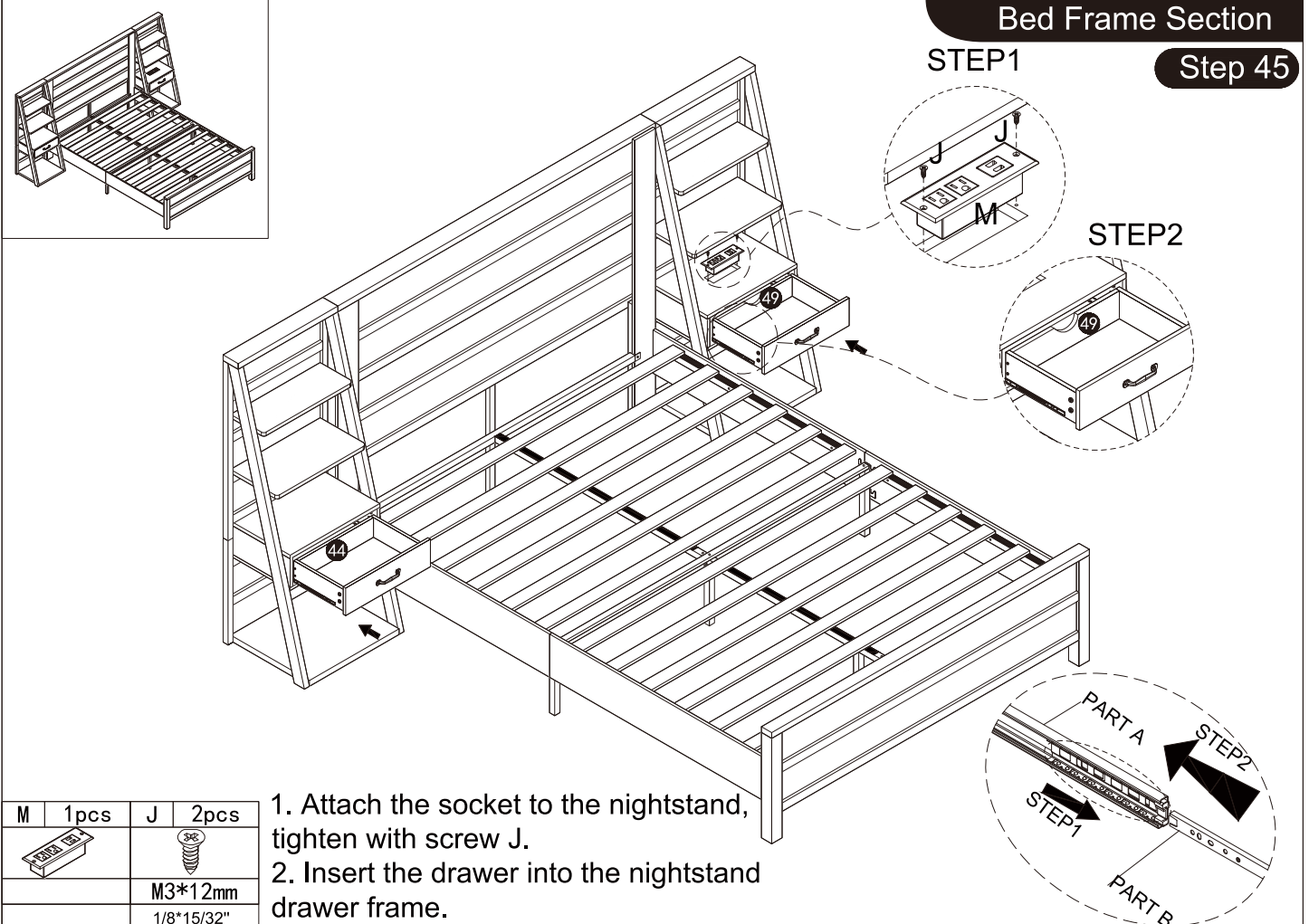




ASSEMBLY INSTRUCTIONS

Bed Frame Section

STEP 1

Step 45

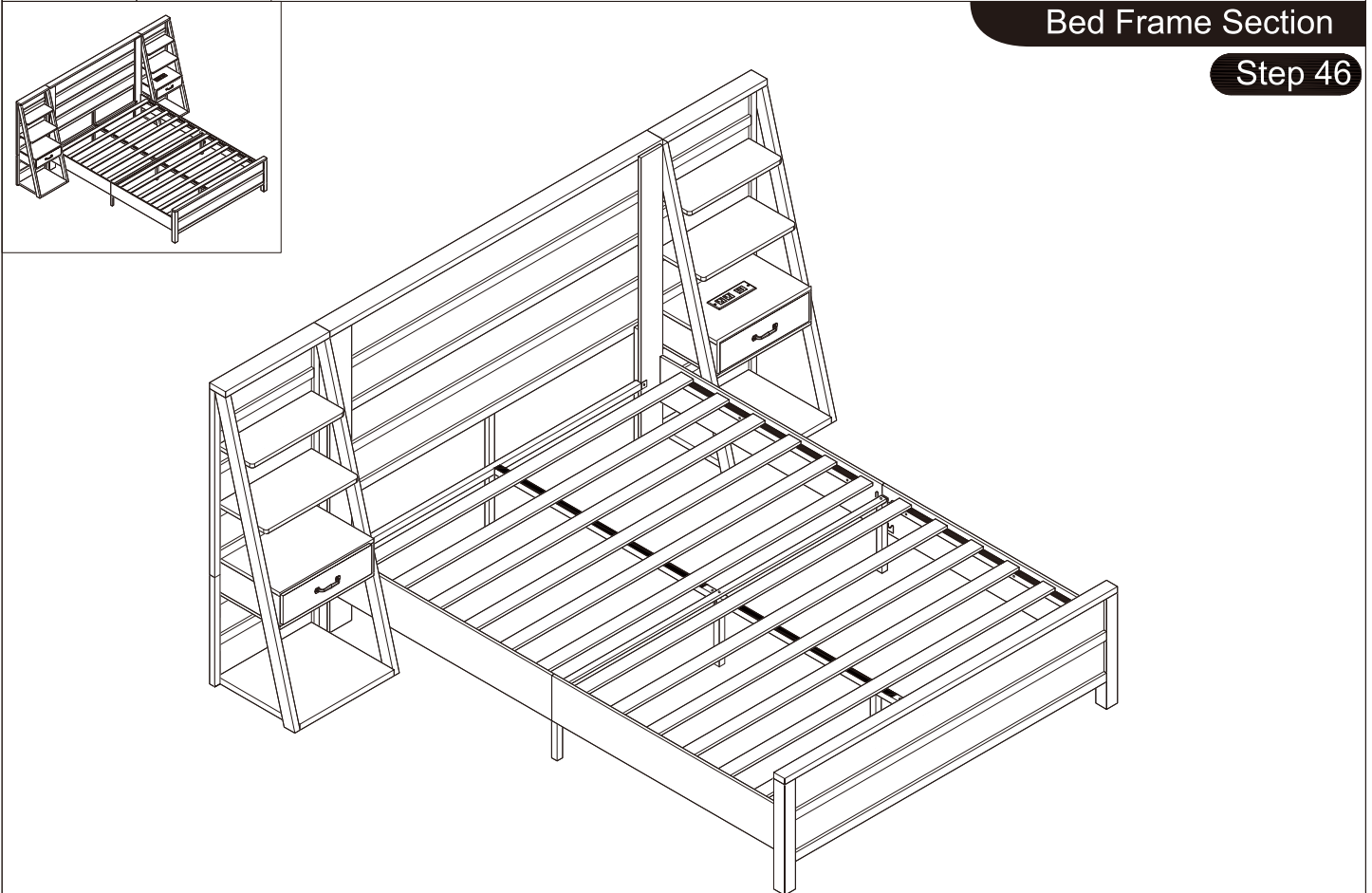


M	1pcs	J	2pcs
			
		M3*12mm	
		1/8"15/32"	

1. Attach the socket to the nightstand, tighten with screw J.
2. Insert the drawer into the nightstand drawer frame.

Bed Frame Section

Step 46



Product assembly is complete.



MAINTENANCE AND CARE

Follow these guidelines to preserve your furniture's durability and appearance:

1. Pest Prevention

Keep furniture away from humid areas to prevent insects and wood damage. Use a dehumidifier or air conditioner in damp seasons.

2. Sunlight Protection

Avoid direct sunlight to prevent warping and discoloration. Use curtains or UV-blocking films if exposure is unavoidable.

3. Fire Safety

Keep furniture away from heat sources and open flames.

4. Regular Maintenance

Apply furniture oil or polish periodically to prevent drying and cracks.

5. Cleaning Guidelines

Dust regularly with a soft cloth or vacuum. Use a slightly damp cloth for cleaning and dry immediately.

6. Moisture Control

Ensure proper ventilation to prevent mold or swelling.

7. Avoid Chemicals

Do not use harsh cleaners, acids, or strong solvents.

8. Protective Measures

Use coasters, placemats, and felt pads to prevent scratches and stains.

9. Sun Exposure Limitation

Position furniture in shaded areas to avoid drying and fading.

Note: Improper care may void the warranty. Contact customer support for assistance