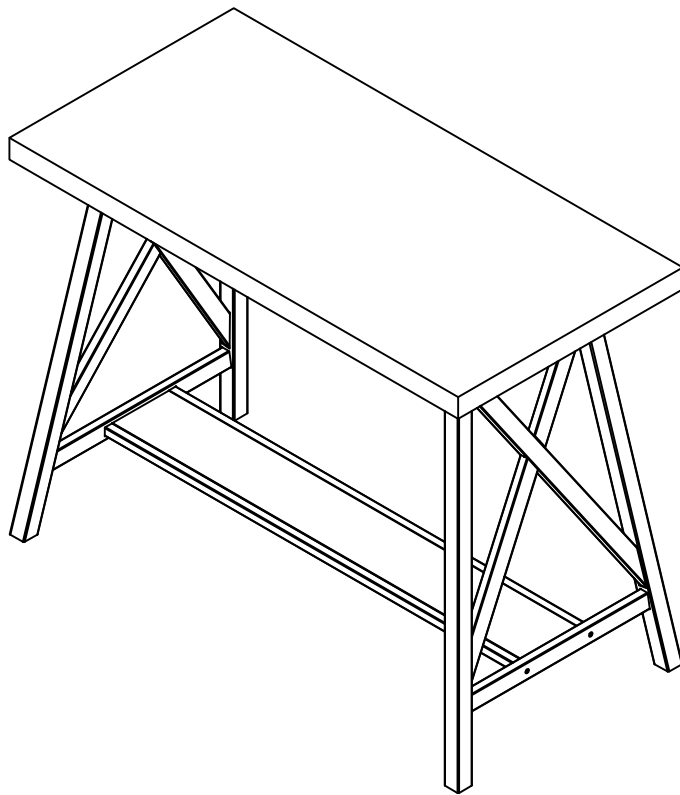


ASSEMBLY INSTRUCTIONS



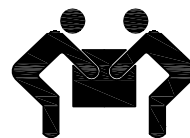
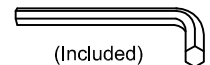
ASSEMBLY RATING

The Assembly Rating is a 5-point system that shows the degree of effort needed in assembling a specific product (with 1 being easy and 5 being difficult). For some products, two persons are recommended.

EASY  DIFFICULT

Tools Required For Assembly:

Allen Wrench

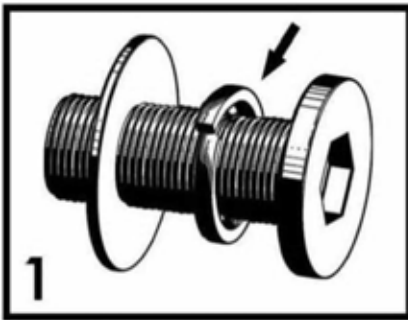


2 PERSONS RECOMMENDED

ASSEMBLY & CARE ADVICE

FOR YOUR FURNITURE TO LAST, CORRECT ASSEMBLY AND PROPER MAINTENANCE ARE NECESSARY. PLEASE FOLLOW THE INFORMATION PROVIDED BELOW TO FULLY ENJOY YOUR FURNITURE.

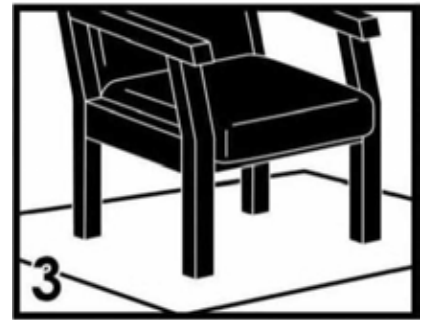
BASIC ASSEMBLY TECHNIQUES



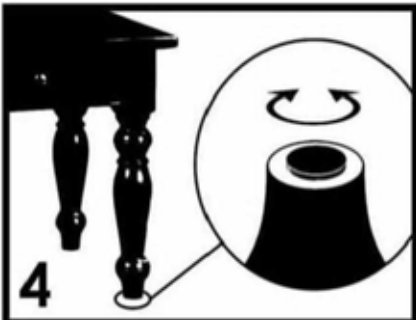
When lock or spring washer is used in an assembly, please make sure the lock or spring washer is placed between the larger flat washer and the head of the screw or bolt.



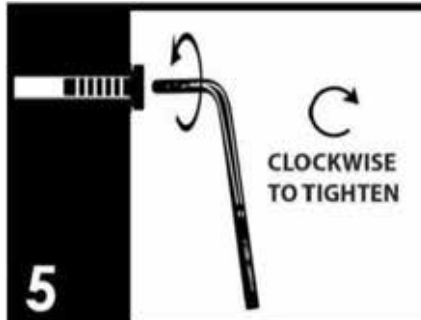
Position each part correctly and insert screws or bolts into their respective holes by hand tighten or using the proper hand tool. Only tighten when step is completed or when instructed to do so.



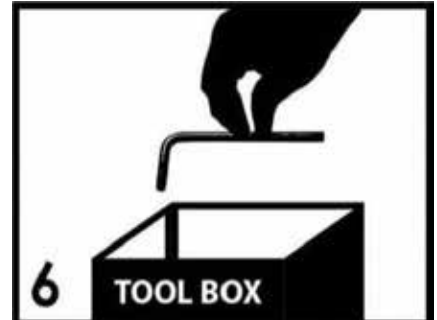
Use cardboard or carpet area when assembling furniture to prevent scratches. Make sure the furniture rests on a flat and level surface with each leg evenly touching the floor.



Some furniture comes with height adjustment knobs underneath each leg. To lower or to raise each leg, you need to turn clockwise or counterclockwise, respectively.



Make sure all parts are properly aligned, then use the appropriate hand tool to completely tighten the bolts or screws. Do not use power tools and do not overtighten.



Save the instructions and store the Allen wrench or any supplied tool for later maintenance. After two weeks, check and tighten any loose hardware and repeat again every six months thereafter.

IT IS THE USER'S RESPONSIBILITY TO MAINTAIN THE FURNITURE. THE HARDWARE MAY LOOSEN OVER TIME AND MAY CAUSE THE FURNITURE TO BE WOBBLY AND UNABLE TO SUPPORT ITS INTENDED WEIGHT CAPACITY. THIS MAY LEAD TO COLLAPSE AND MAY CAUSE SERIOUS INJURY.



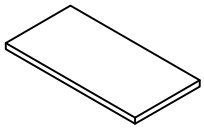
FAILURE TO FOLLOW THE GUIDELINES ABOVE MAY RESULT IN INJURY AND/OR PROPERTY DAMAGE.



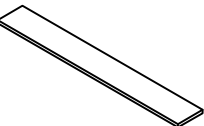
Before you begin, please read Page 2 of "Assembly and Care Advice".

And remember, do not tighten until each step is completed or instructed.

Parts List



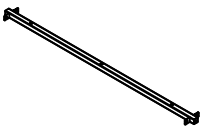
#1 x 1pc
Top Panel



#2 x 1pc
Lower Panel



#3 x 2pcs
Side Frames



#4 x 2pcs
Upper Cross Bars



#5 x 2pcs
Lower Cross Bars

Hardware List



#A x 22pcs
Bolts $\text{\O}1/4"$ x $1/2"$



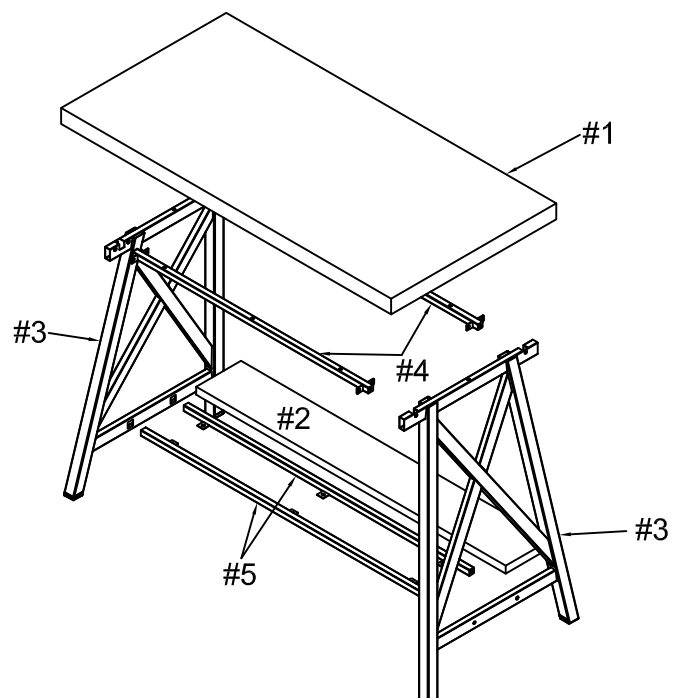
#B x 6pcs
Bolts $\text{\O}1/4"$ x $1-1/4"$



#C x 2pcs
Bolts $\text{\O}1/4"$ x $2"$



#D x 1pc
Allen Wrench M4

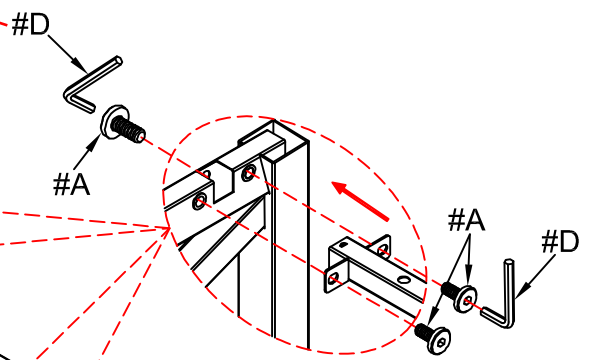
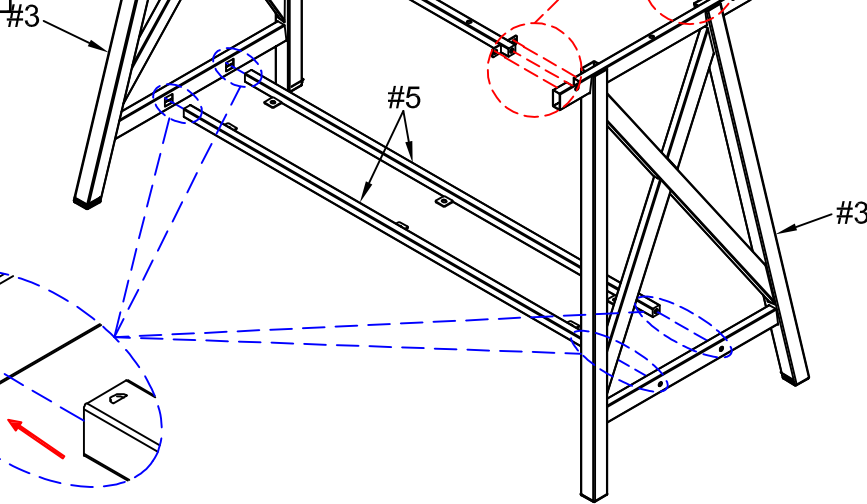
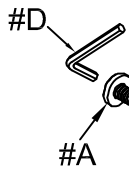




2) Align and insert upper cross bars (#4) to the holes of the side frames (#3). Secure by using bolts (#A). Fully tighten all bolts (#A).

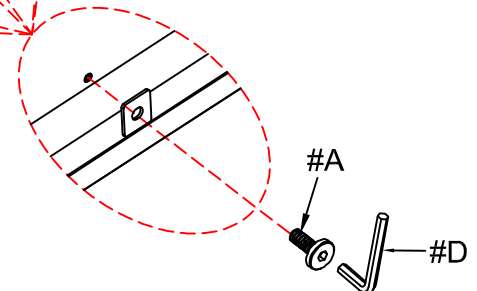
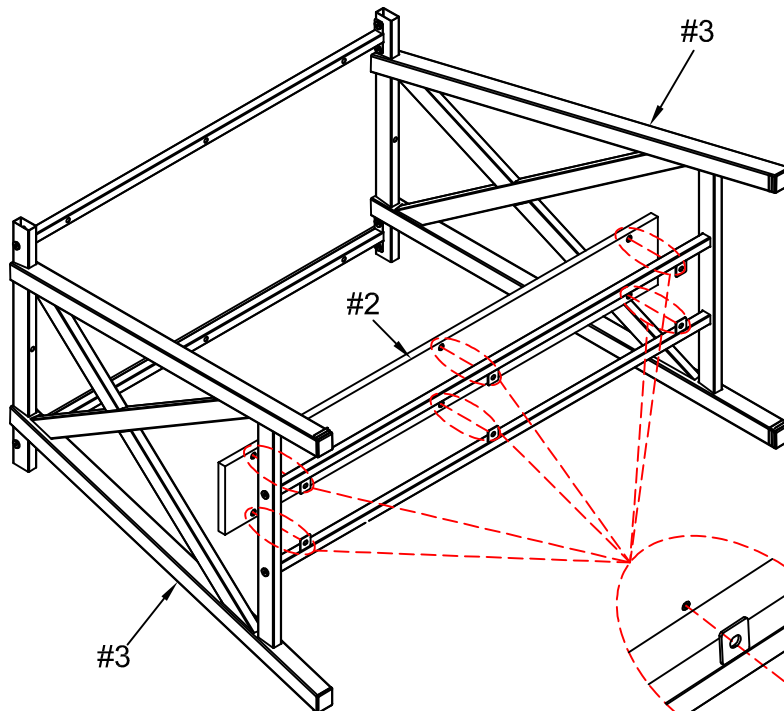
#A x 16pcs

1) Align and insert lower cross bars (#5) to the holes of the side frames (#3). Secure by using bolts (#A), but do not fully tighten.



Align lower panel (#2) to the holes at the bottom of the frame. Secure by using bolts (#A).

#A x 6pcs

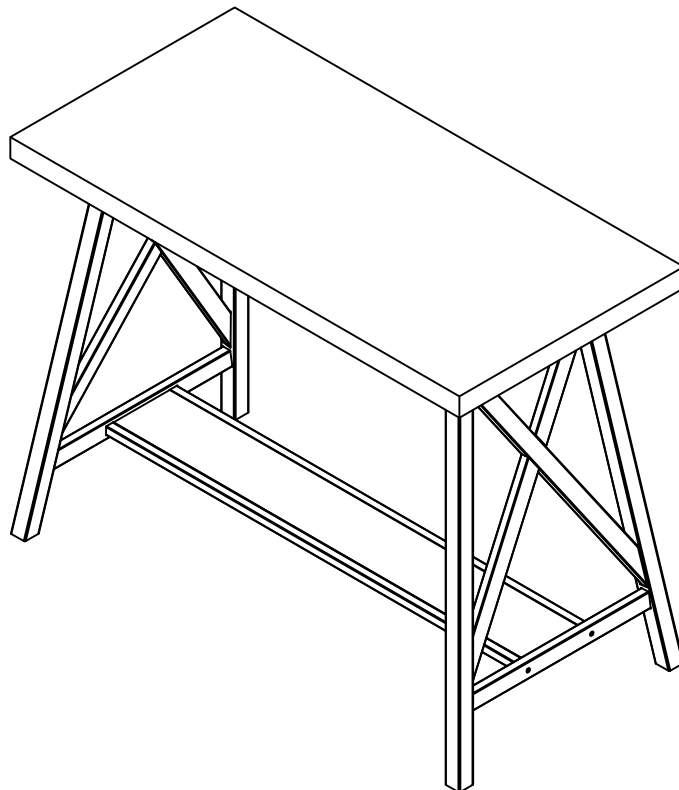
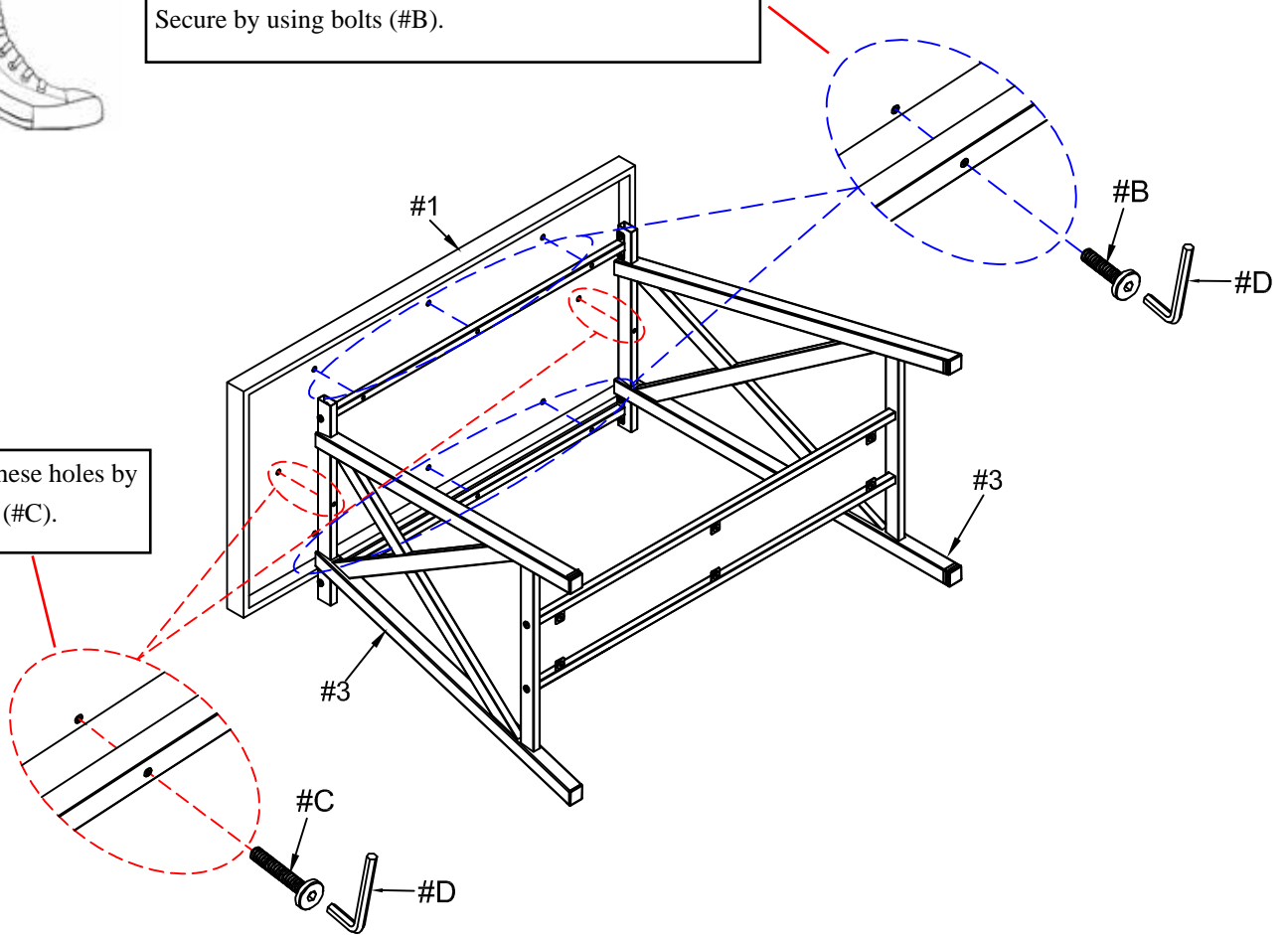




1) Align top panel (#1) to the holes on top of the frame.
Secure by using bolts (#B).

#B x 6pcs
#C x 2pcs

2) Secure these holes by
using bolts (#C).



ASSEMBLY IS COMPLETED