

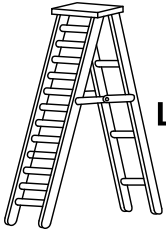
## ASSEMBLY INSTRUCTIONS



**CAUTION**

- ◆ Inspect the wire insulation for any cuts, abrasions, or exposed copper that may have resulted during shipping. If there is a defect in the wire, do not attempt installation.
- ◆ Before starting installation of this fixture or removal of a previous fixture, disconnect the power by turning off the circuit breaker or by removing the fuse at the fuse box.

## TOOLS REQUIRED



**Ladder**



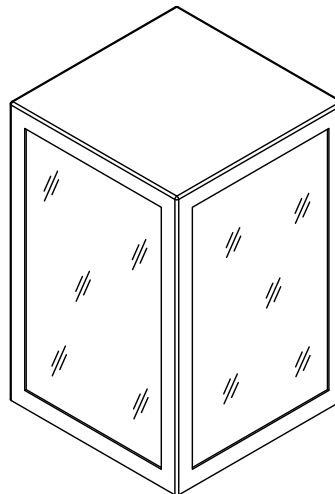
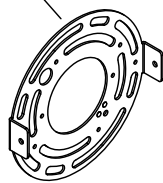
**Safety  
glasses**



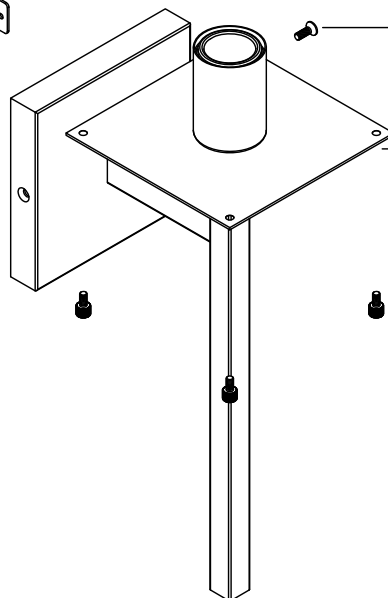
**Phillips  
screwdriver**

## PARTS SHOWN MAY DIFFER SLIGHTLY PER LIGHT FIXTURE

**MOUNTING PLATE**



**GLASS SHADE**

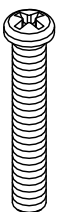


**SCREW**

**LAMP BODY**

**SCREW**

**PART BAG**



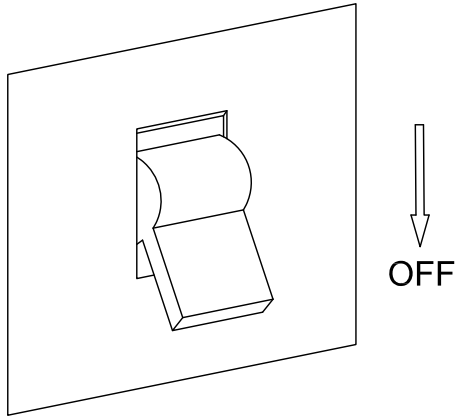
**X2**



**X3**

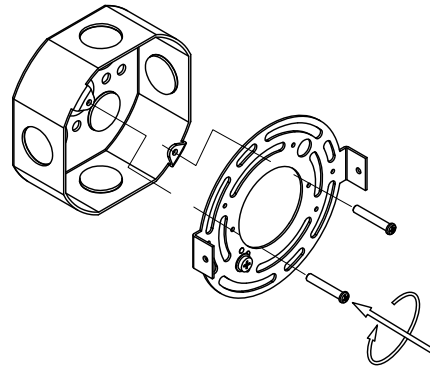
### Step 1

Power off



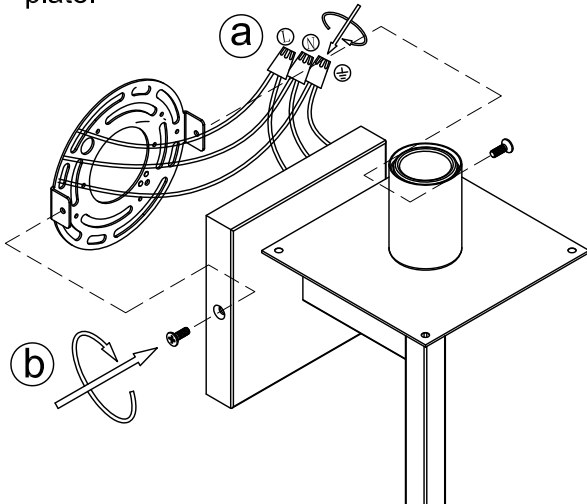
### Step 2

Use the mounting screws to attach the mounting plate to the junction box(not included).



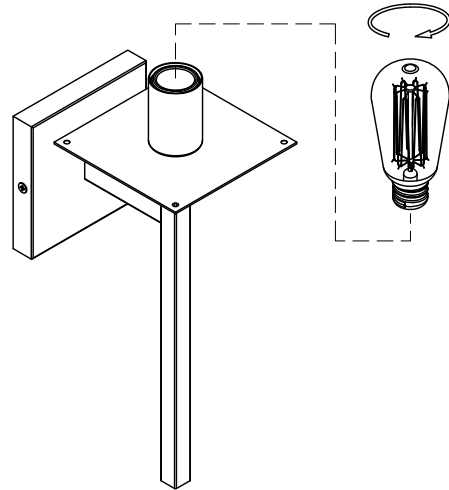
### Step 3

a. Connect the wire.  
b. Attach the wall sconce to the mounting plate.



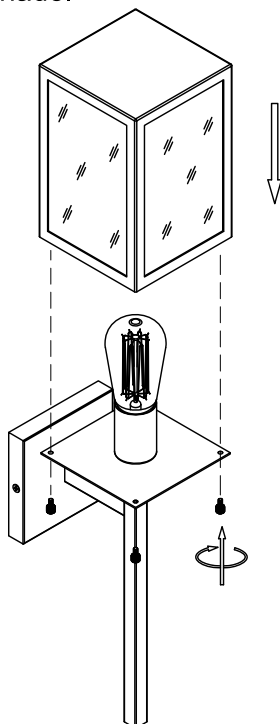
### Step 4

Install the bulb(not included).



### Step 5

Install the glass shade.



## OUTDOOR SCONCE

