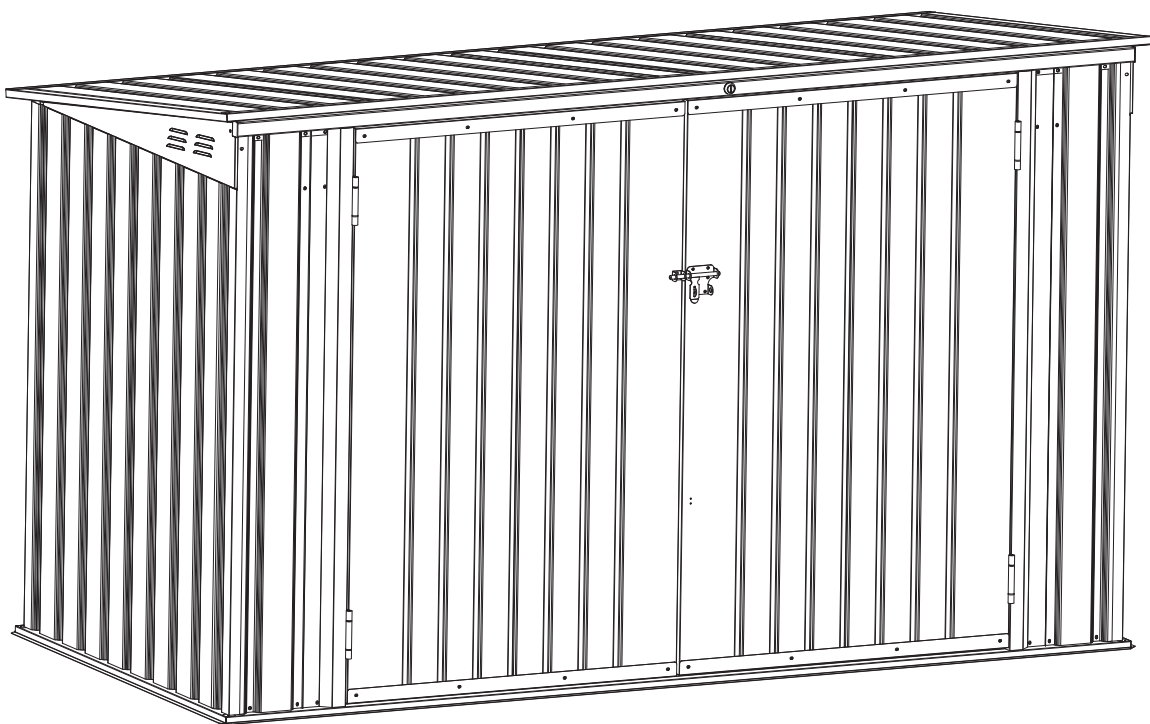


BICYCLE SHED

ASSEMBLY INSTRUCTIONS



WARNING

Please read the instruction manual carefully before assembly.

Please assembly strictly in accordance with the instruction.

Please double-check to ensure that all parts of the package contents intact.

BEFORE YOU START

Owner's Manual: Before starting the assembly, verify local building codes for footing, location, and other requirements. Thoroughly read and understand this owner's manual. Valuable information and useful tips will enhance the ease and enjoyment of your assembly process.

Assembly Instructions: Instructions are provided in this manual and all relevant details are included for this shed. Review all instructions before starting, and carefully follow the step sequence during the assembly.

Parts and Parts List: Ensure you have all the necessary parts. Organize the contents of the carton by part number referring to the parts list. The first few steps demonstrate how to assemble related parts into larger sub-assemblies for later use. Familiarize yourself with the included hardware and fasteners to streamline the assembly process.

The above are packaged within the carton. Please note that extra fasteners are included for your convenience.

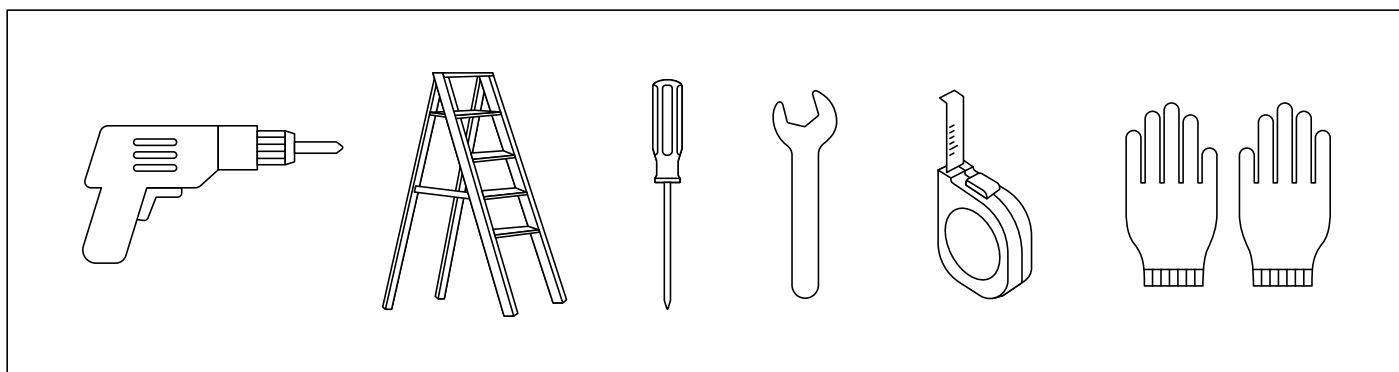
PLAN AHEAD

Check the Weather: Ensure the weather the day chosen for installing the shed is fine. Avoid assembling on windy days, and exercise caution on wet or muddy ground.

Teamwork: Whenever possible, engage two or more individuals on the assembly. One person can position parts or panels while the other handles fasteners and tools.

Tools and Materials: Here are some essential tools and materials for the assembly. Determine the anchoring method and foundation type you intend to use to make a comprehensive list of required materials.

Required Tools:

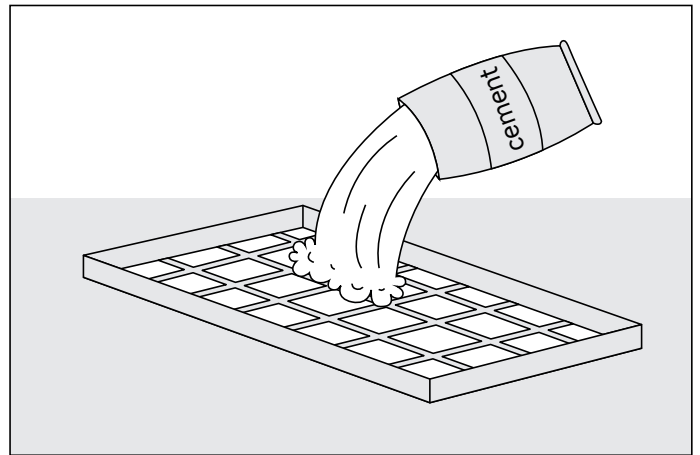
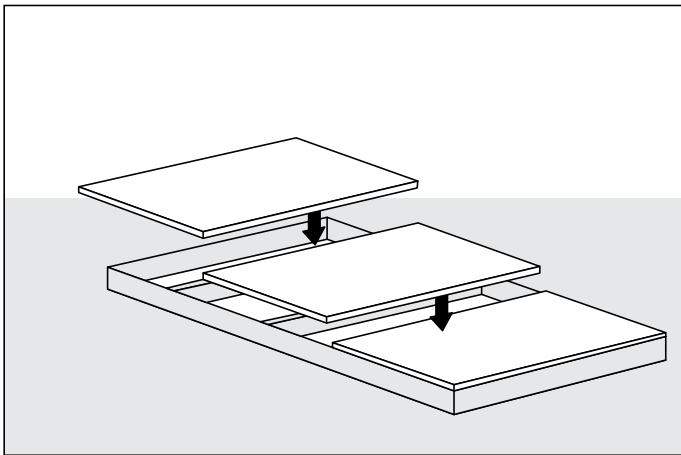


SITE PREPARATION

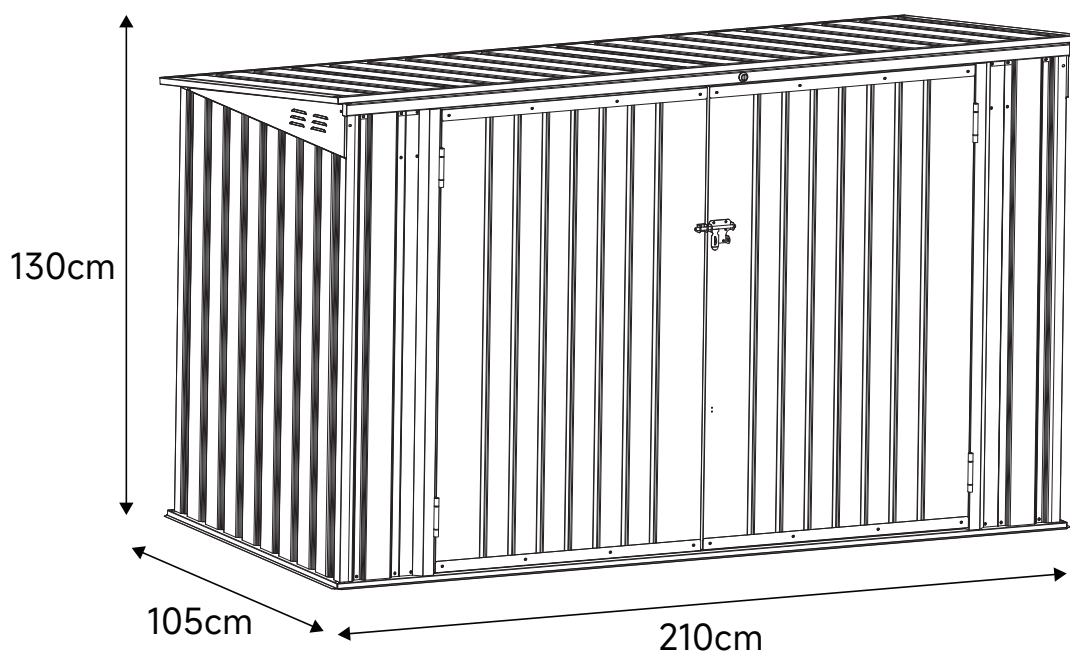
Clear and Level the Ground Surface



Recommendation: Build a wooden or concrete base as the foundation.



External Dimensions of the Product:



CARE & MAINTENANCE

Finish: For a long-lasting finish, periodically clean and wax the exterior surface. Address scratches promptly by cleaning the area with a wire brush, washing it, and applying touch-up paint according to the manufacturer's recommendation.

Roof: Keep the roof clear of leaves and snow with a long-handled, soft-bristled broom. Excessive snow on the roof can damage the shed, making it unsafe to enter into. In snowy areas, Roof Strengthening Kits are available for most Arrow Buildings, providing added protection against heavy snow accumulation.

Doors: Ensure the door tracks are free of dirt and debris. Lubricate the door track annually with furniture polish or silicone spray. Keep doors closed and locked to prevent wind damage.

Fasteners: Use all supplied washers for protection against weather infiltration and prevention of screw scratches to the metal. Regularly inspect the shed for loose screws, bolts, nuts, etc. and re-tighten them as necessary.

Moisture: Reduce condensation by placing a plastic sheet (vapor barrier) under the entire floor area.

Other Tips...

Wash off inked part numbers on coated panels with soap and water.

Use silicone caulking for watertight seals throughout the shed.

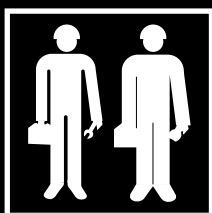
Avoid storing swimming pool chemicals in the shed. Store combustibles and corrosives in airtight approved containers.

WARNING

Carefully read the instruction manual before the assembly.

Strictly follow the assembly instructions.

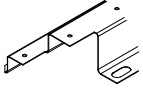
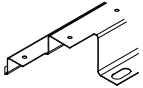
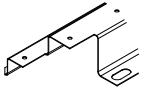
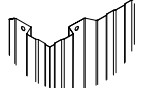
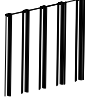
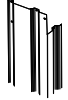







Double-check to ensure that all parts in the package are intact.

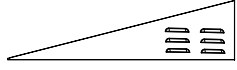
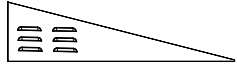
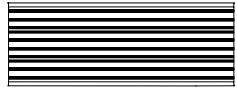
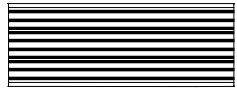
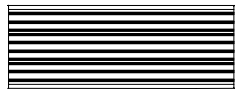
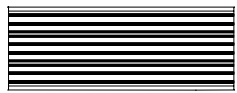

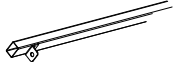
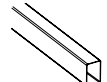
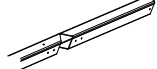
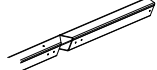
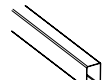



This product requires two individuals for installation, taking approximately 2-3 hours.





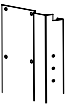
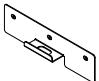
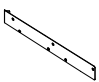

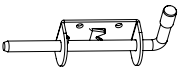

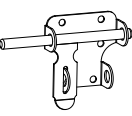
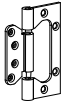

Wear gloves to prevent injuries.


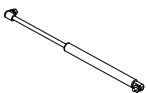
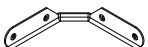
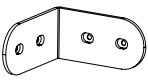

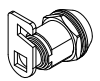
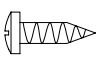
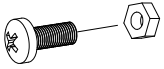




PARTS LIST

NO	PART	QTY
1		2
3		1
4		1
P2		2
P3		7
P4A		1
P4B		1
P4		1
P5		2
P6		1
P7		2
P8		1
DX2		4

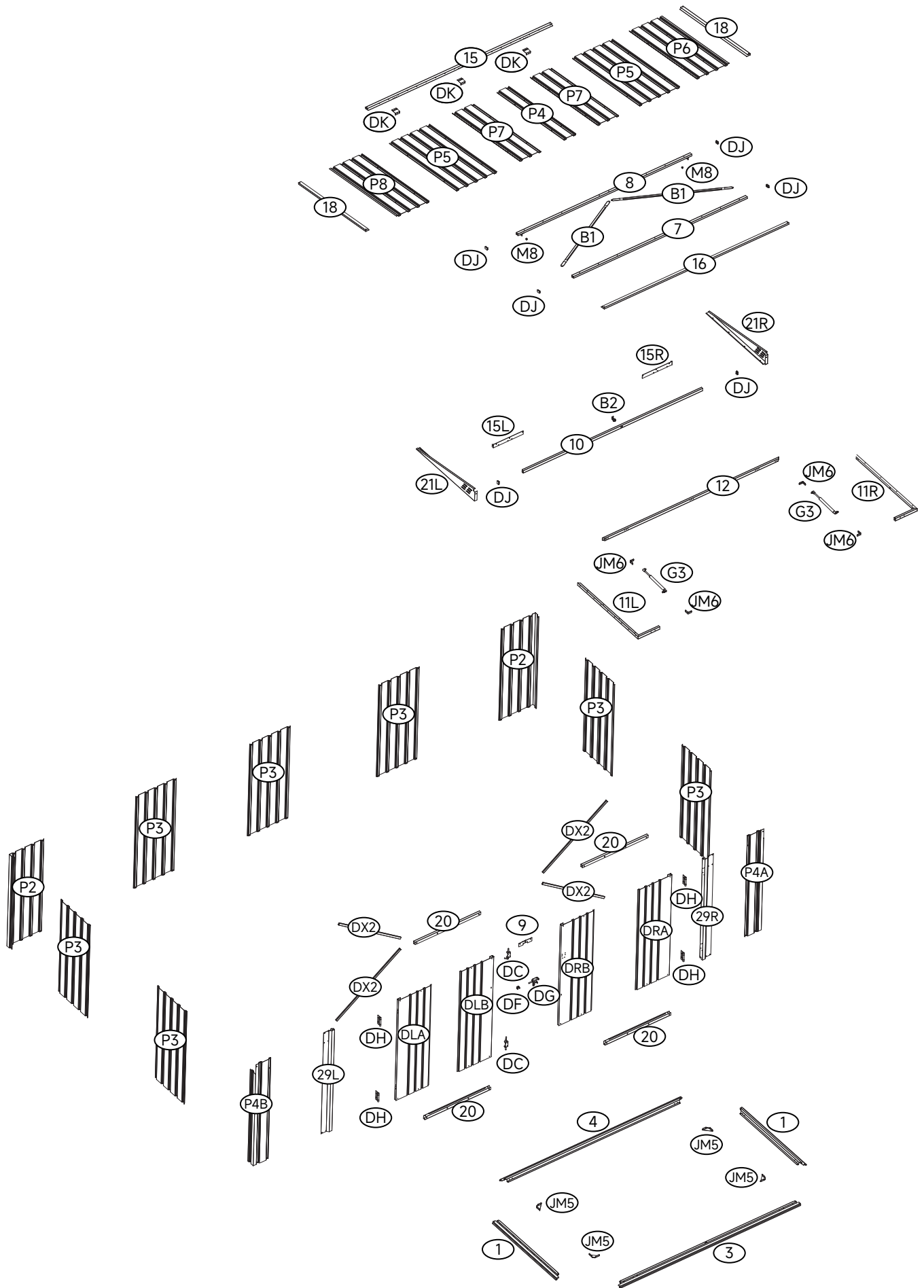
NO	PART	QTY
21L		1
21R		1
DLA		1
DLB		1
DRA		1
DRB		1
7		1
8		1
10		1
11L		1
11R		1
12		1
15		1

PARTS LIST

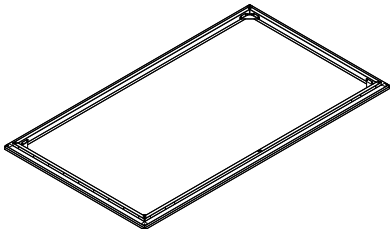
NO	PART	QTY
16		1
18		2
20		4
29L		1
29R		1
9		1
15L		1
15R		1
DC		2
DF		1
DG		1
DH		4
DJ		6

NO	PART	QTY
DK		3
G3		2
JM5		4
JM6		4
B1		2
B2		1
F1		272
F2		20
F3		32
M8		2
S1		50
V2		221

EXPLODED VIEW

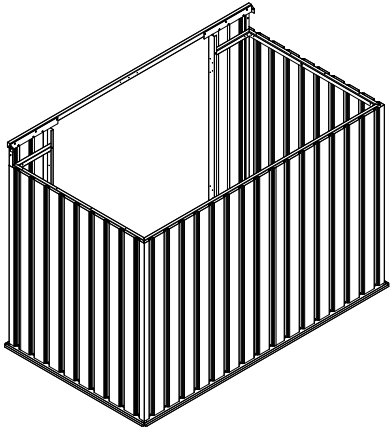


CONTENTS



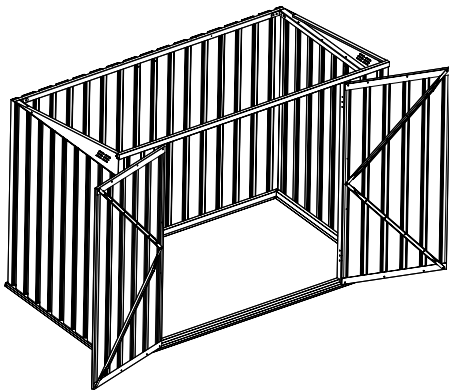
Floor

10-13
(page)



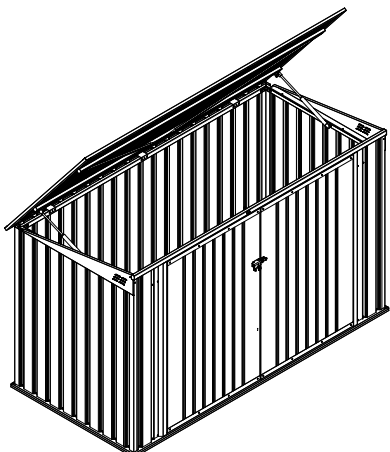
Wall

14-31
(page)



Door

32-38
(page)

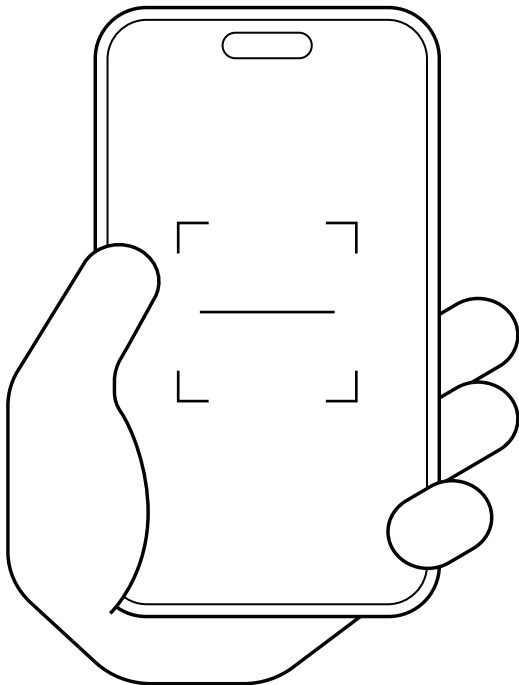


Roof

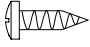

39-45
(page)

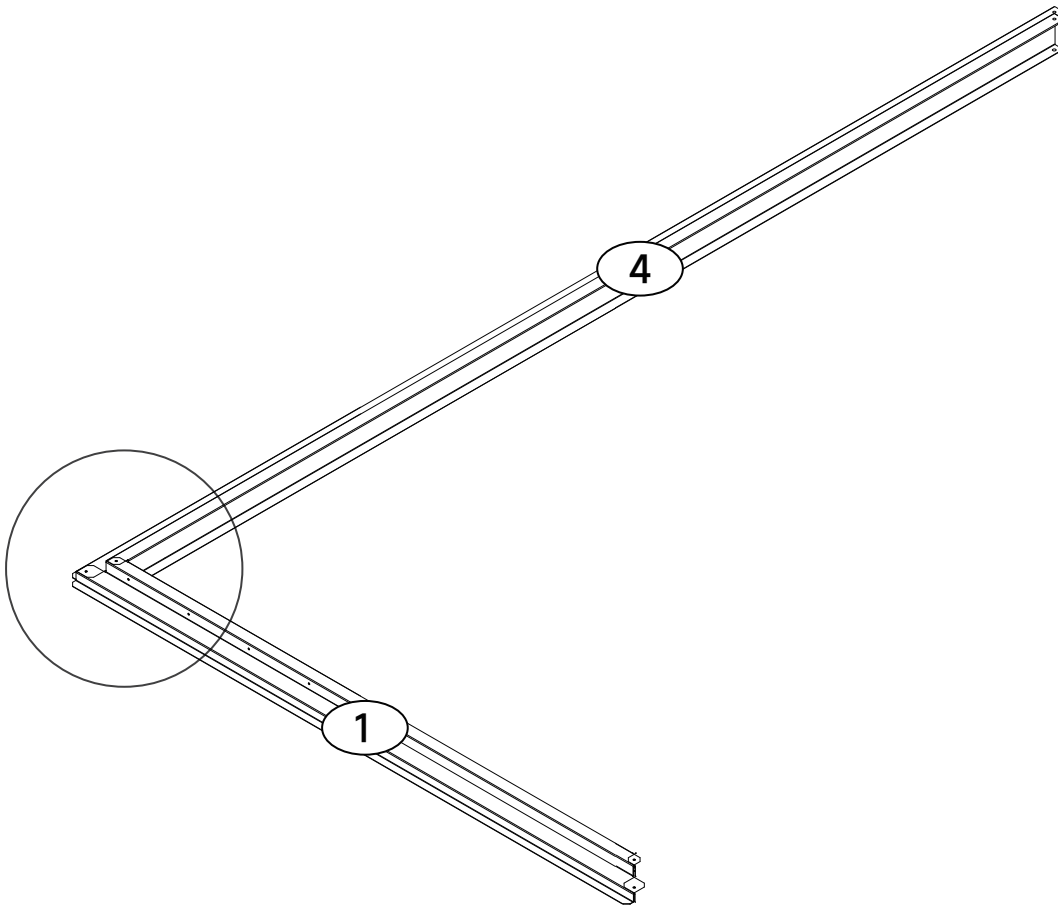
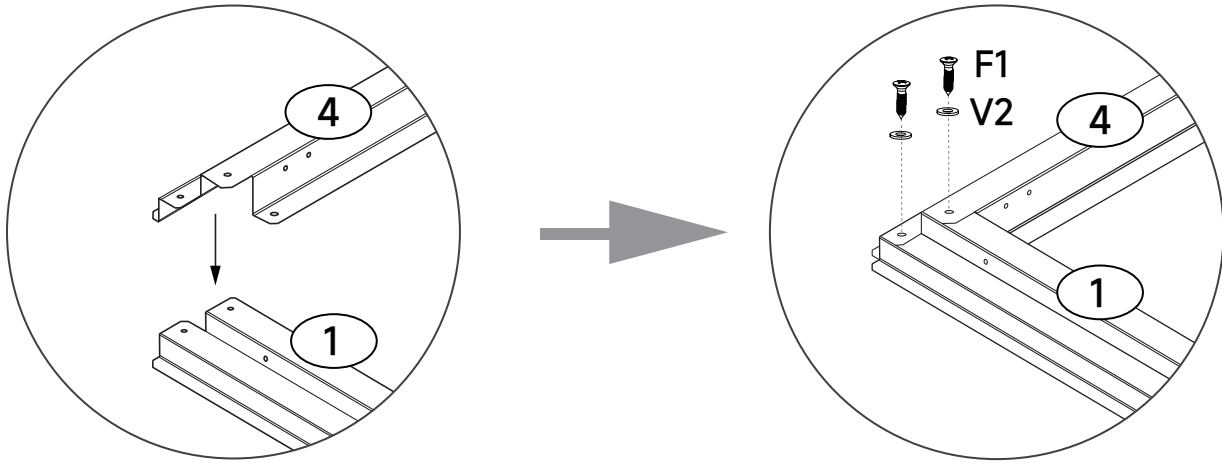
ATTENTION

For this step only, To ensure a better understanding and installation experience, please watch a video tutorial that will assist you in completing the installation.

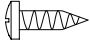



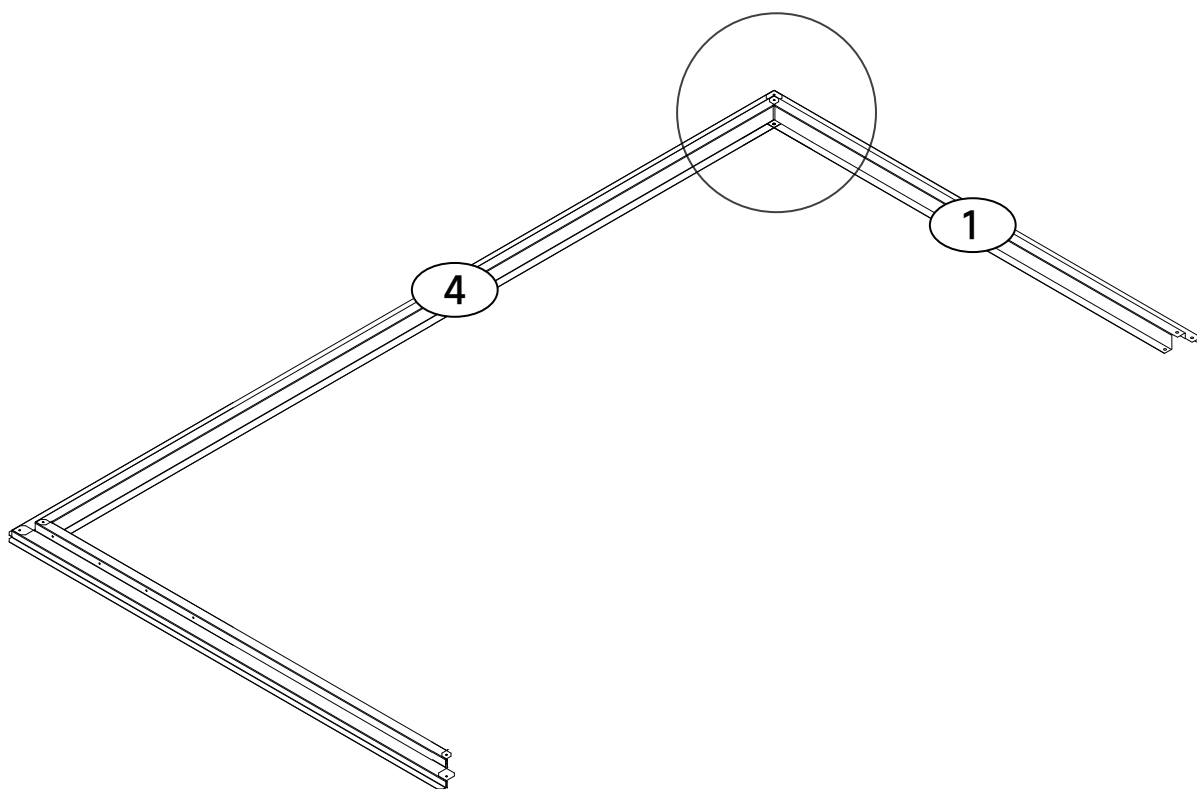
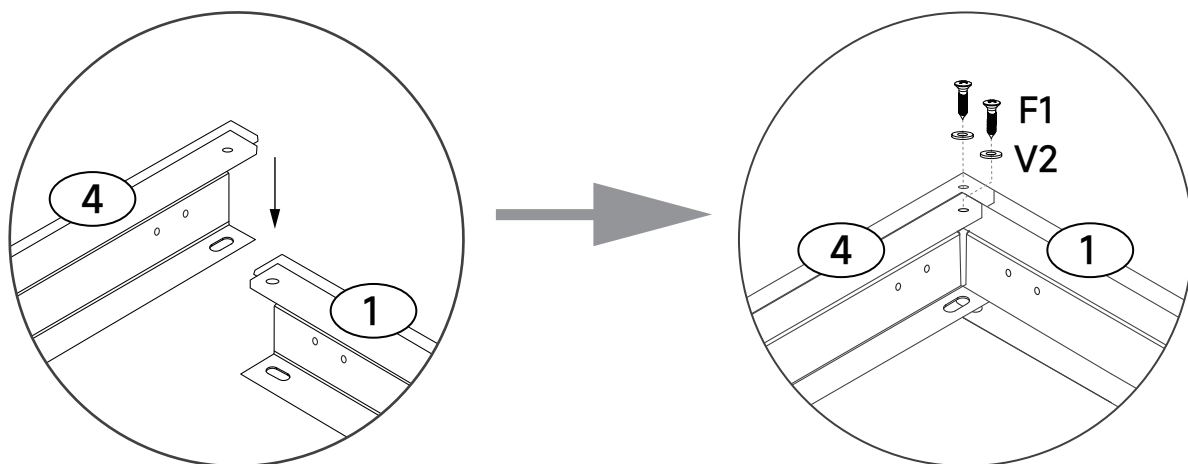
STEP 01

NO	PART	QTY
F1		2
V2		2

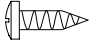



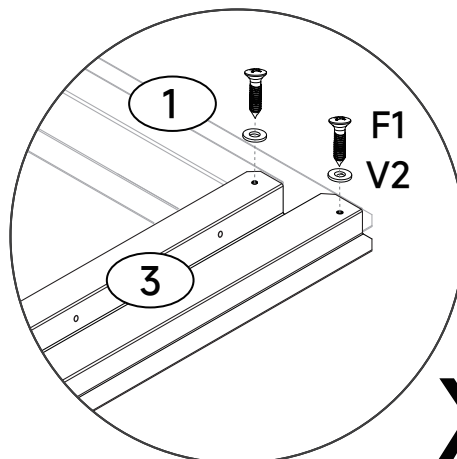
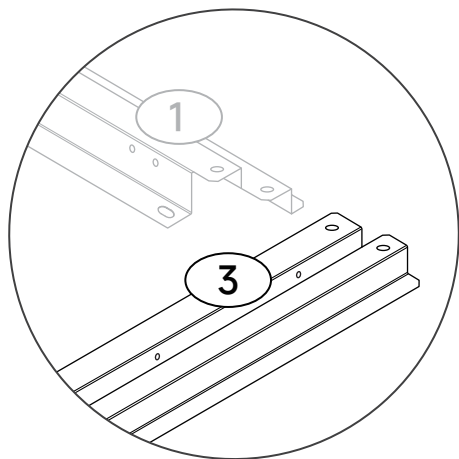
STEP 02

NO	PART	QTY
F1		2
V2		2

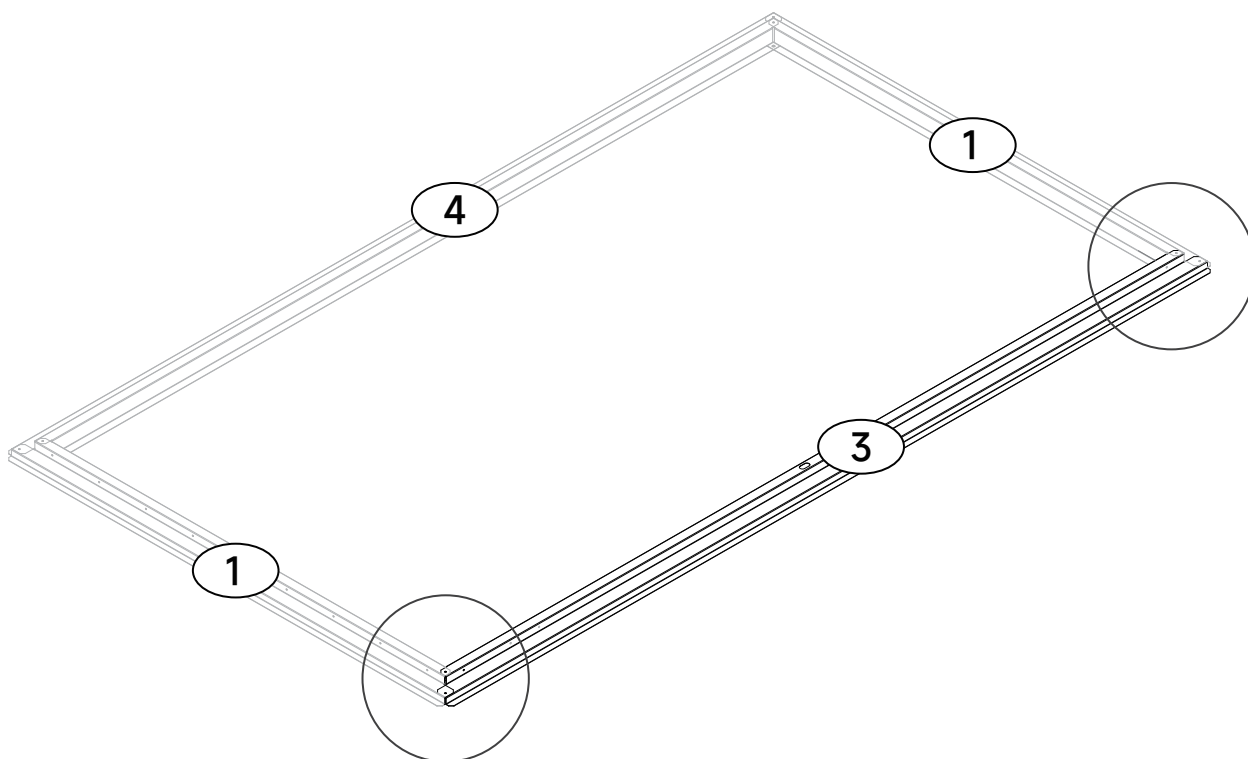


STEP 03

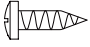

NO	PART	QTY
F1		4
V2		4

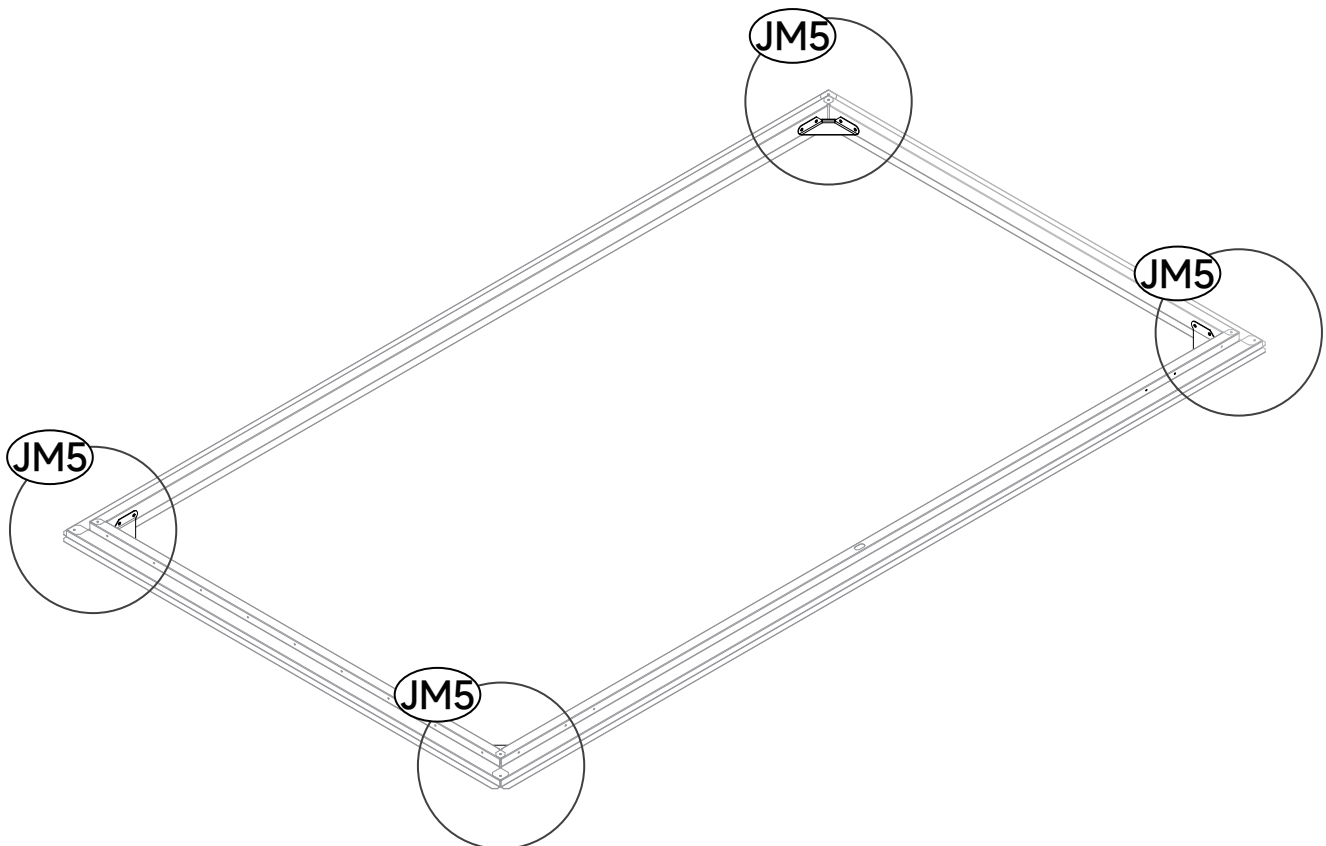
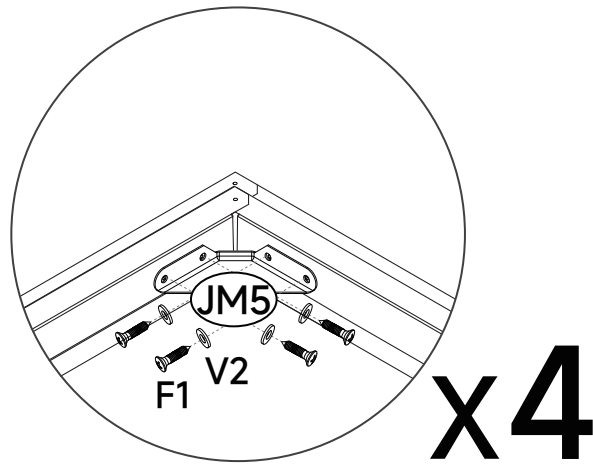


x2

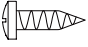



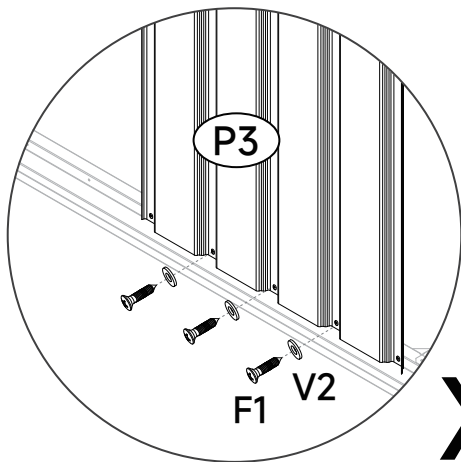
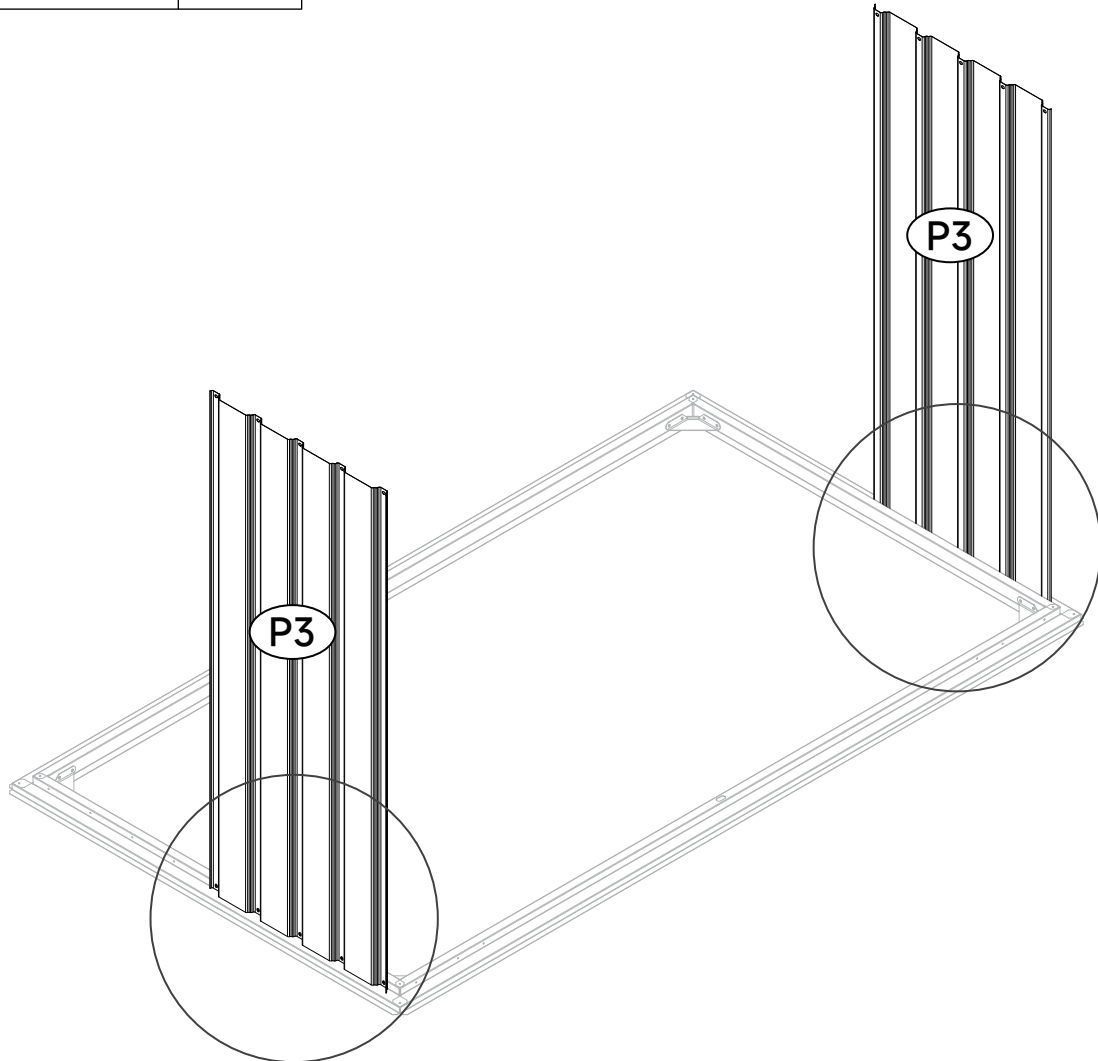
STEP 04

NO	PART	QTY
F1		16
V2		16



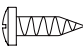

STEP 05

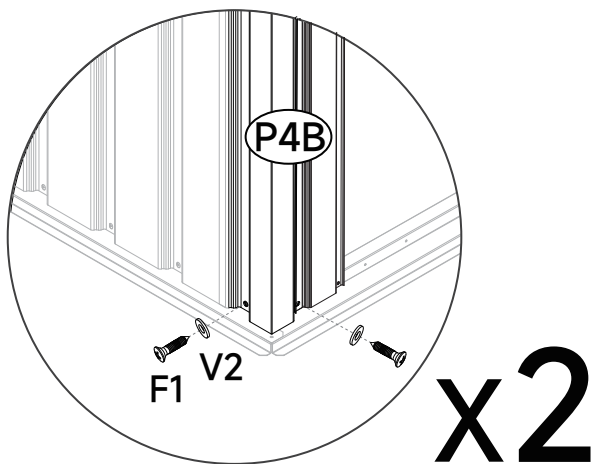
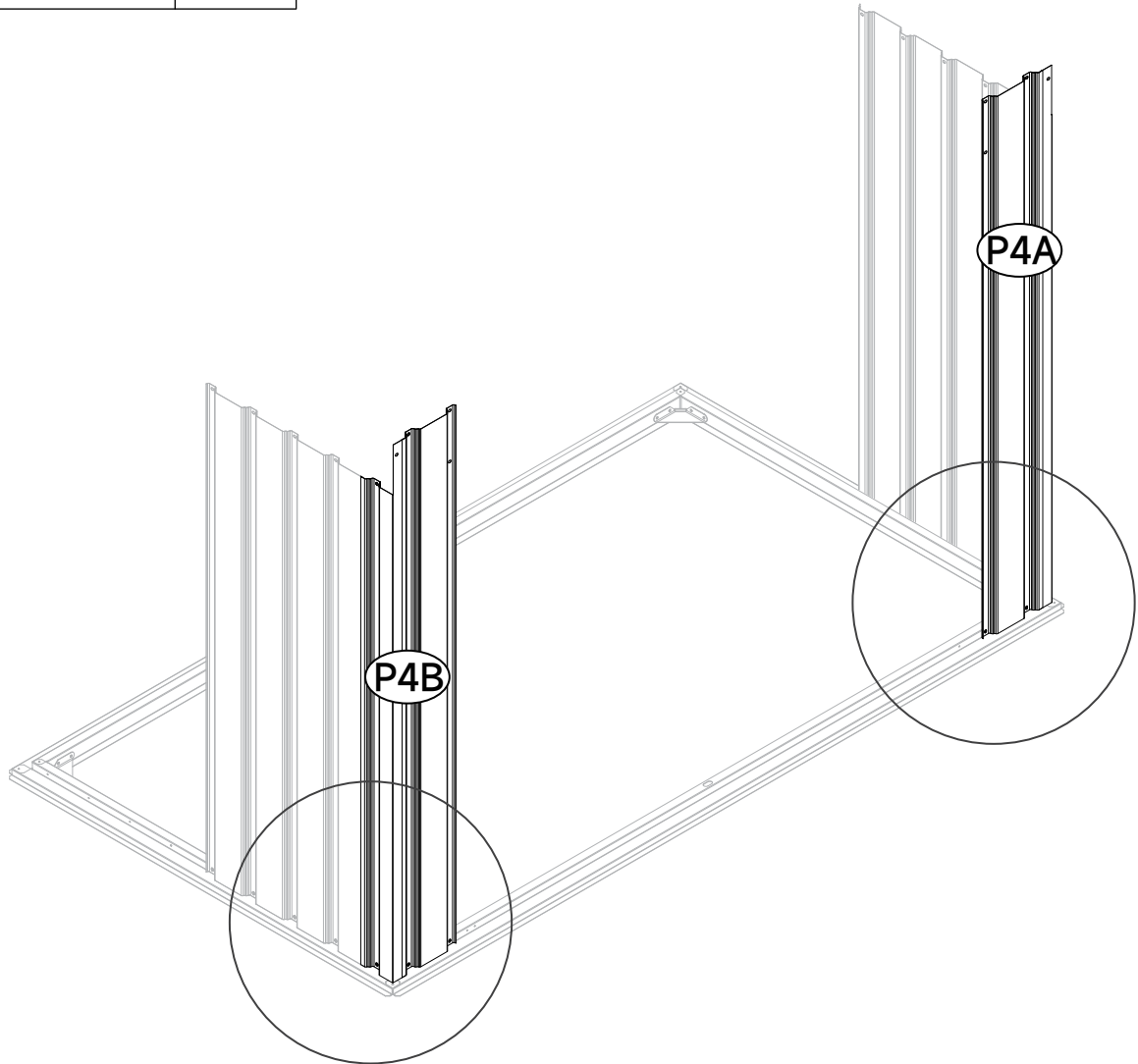
NO	PART	QTY
F1		6
V2		6



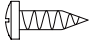

x2

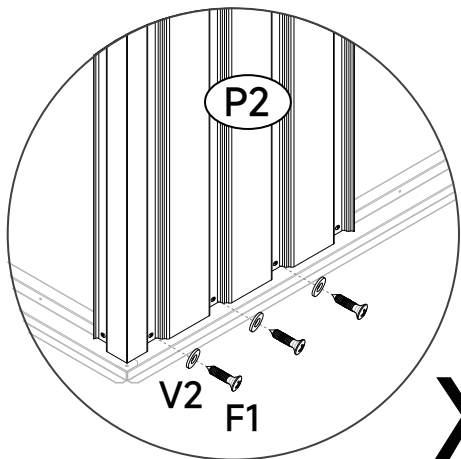
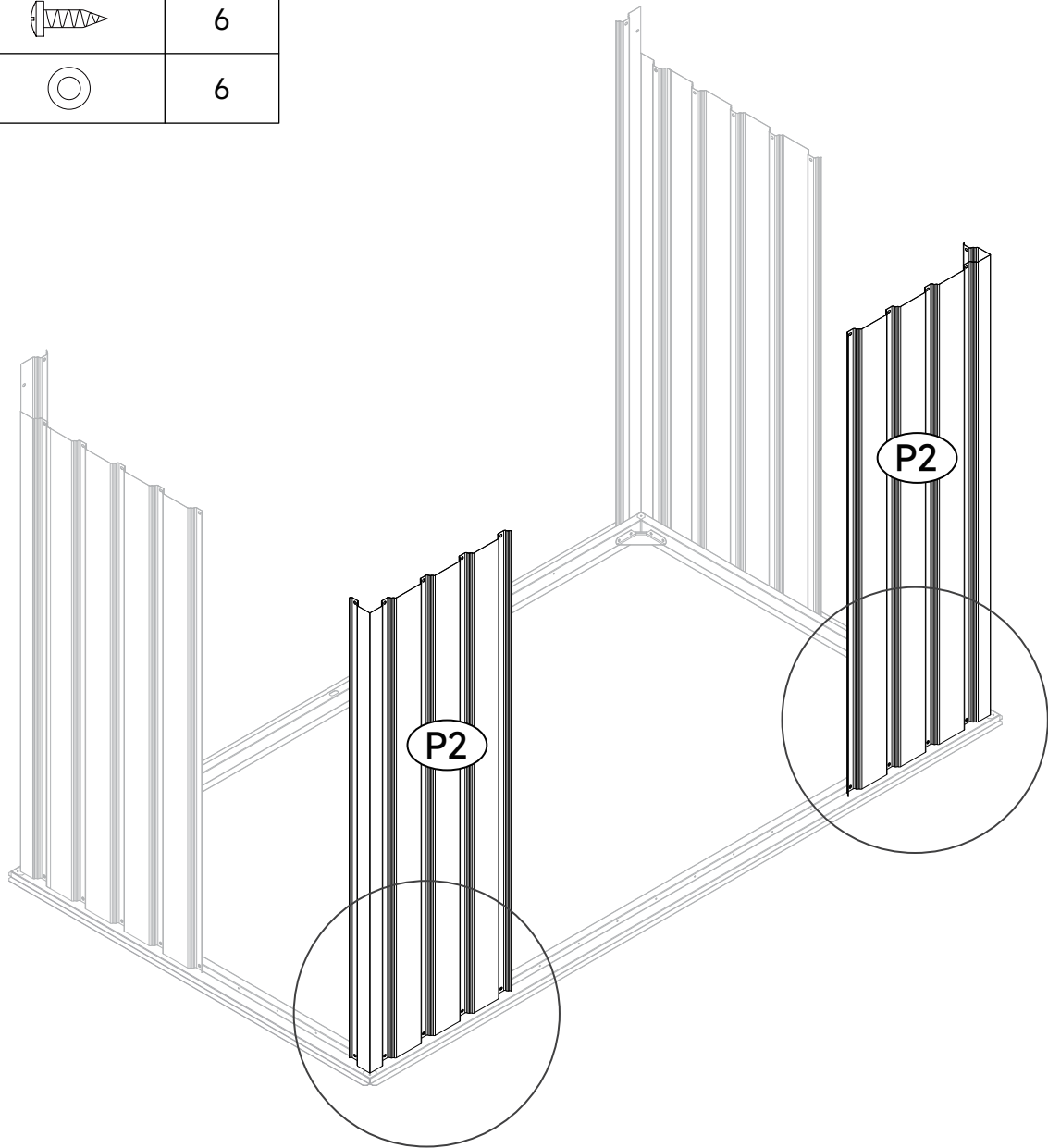
STEP 06

NO	PART	QTY
F1		4
V2		4



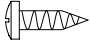

STEP 07

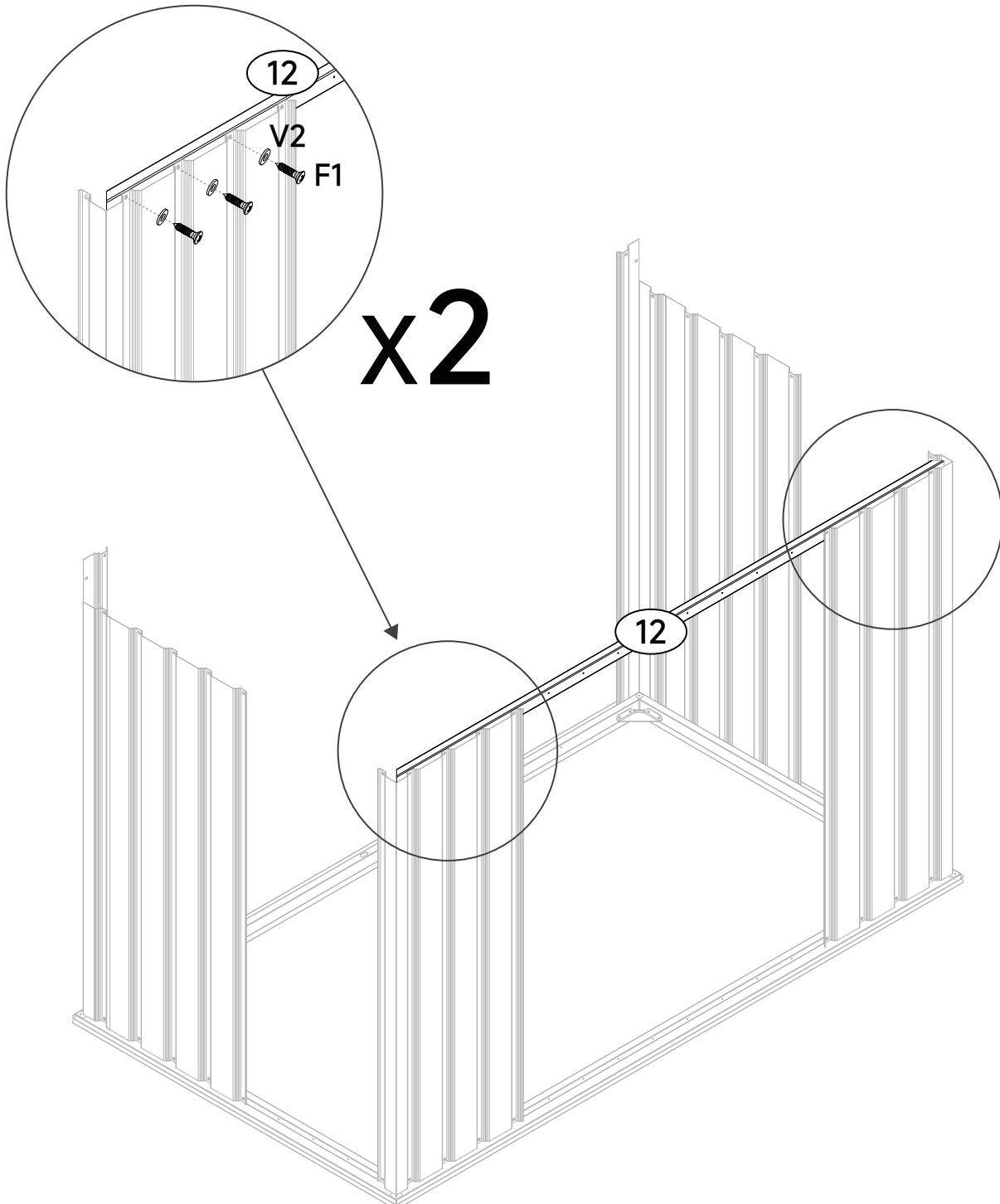
NO	PART	QTY
F1		6
V2		6



x2

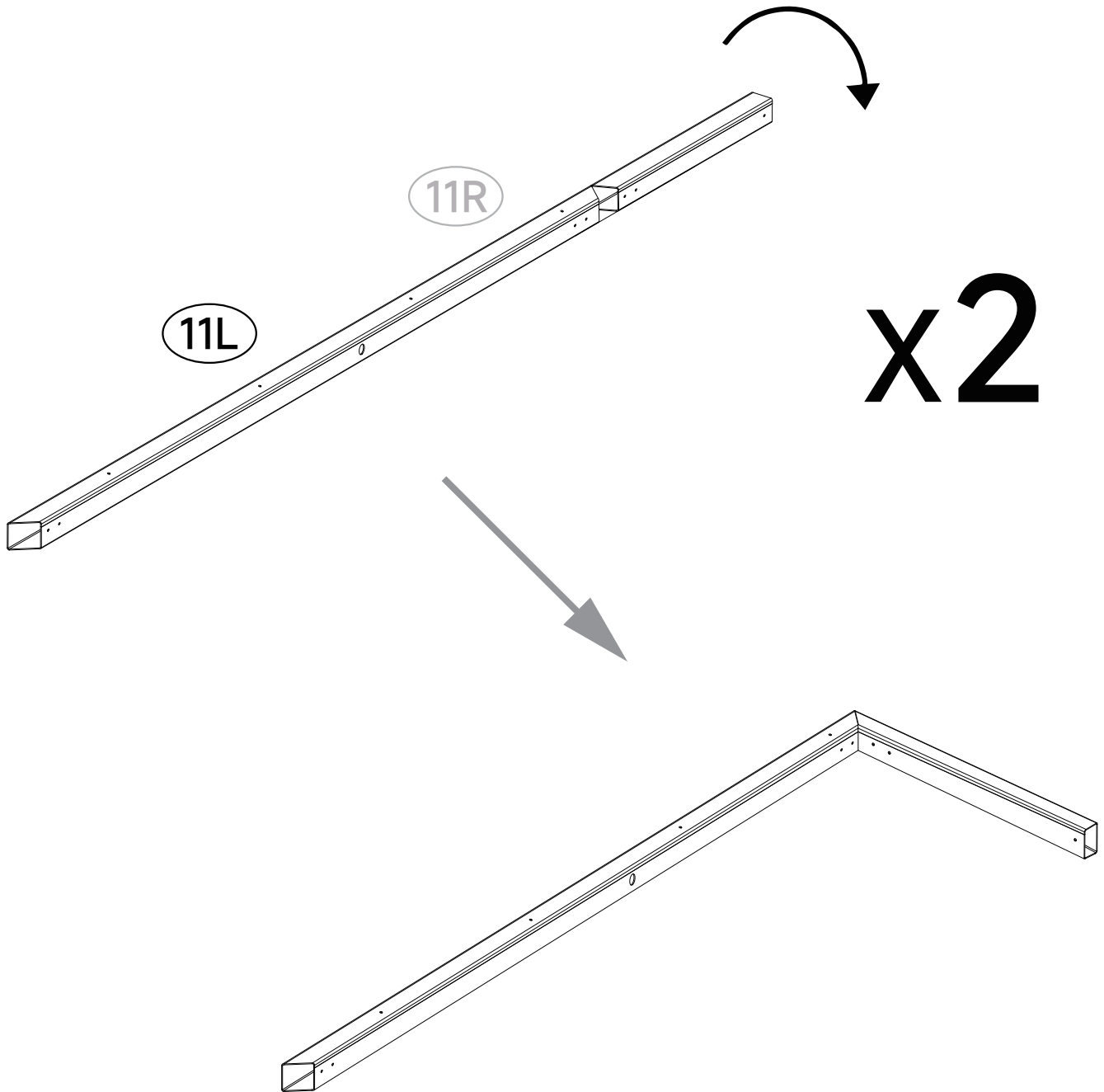
STEP 08

NO	PART	QTY
F1		6
V2		6

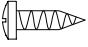



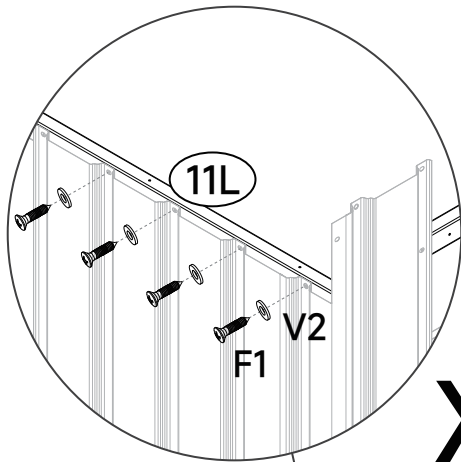
STEP 09

Note: Fold [11L] and [11R] respectively into angles and attach them to the position shown in the figure.



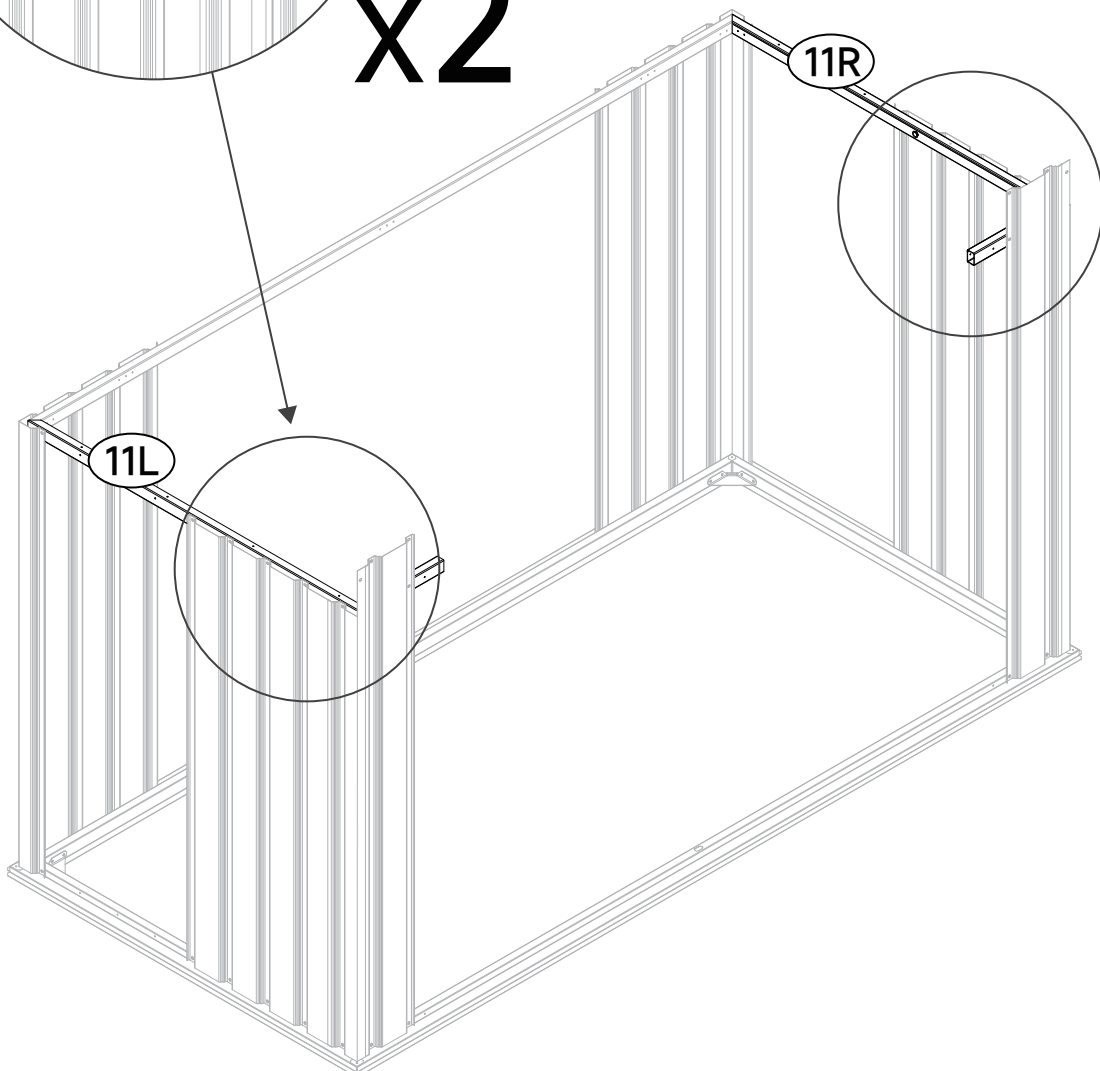
STEP 10

NO	PART	QTY
F1		8
V2		8

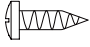



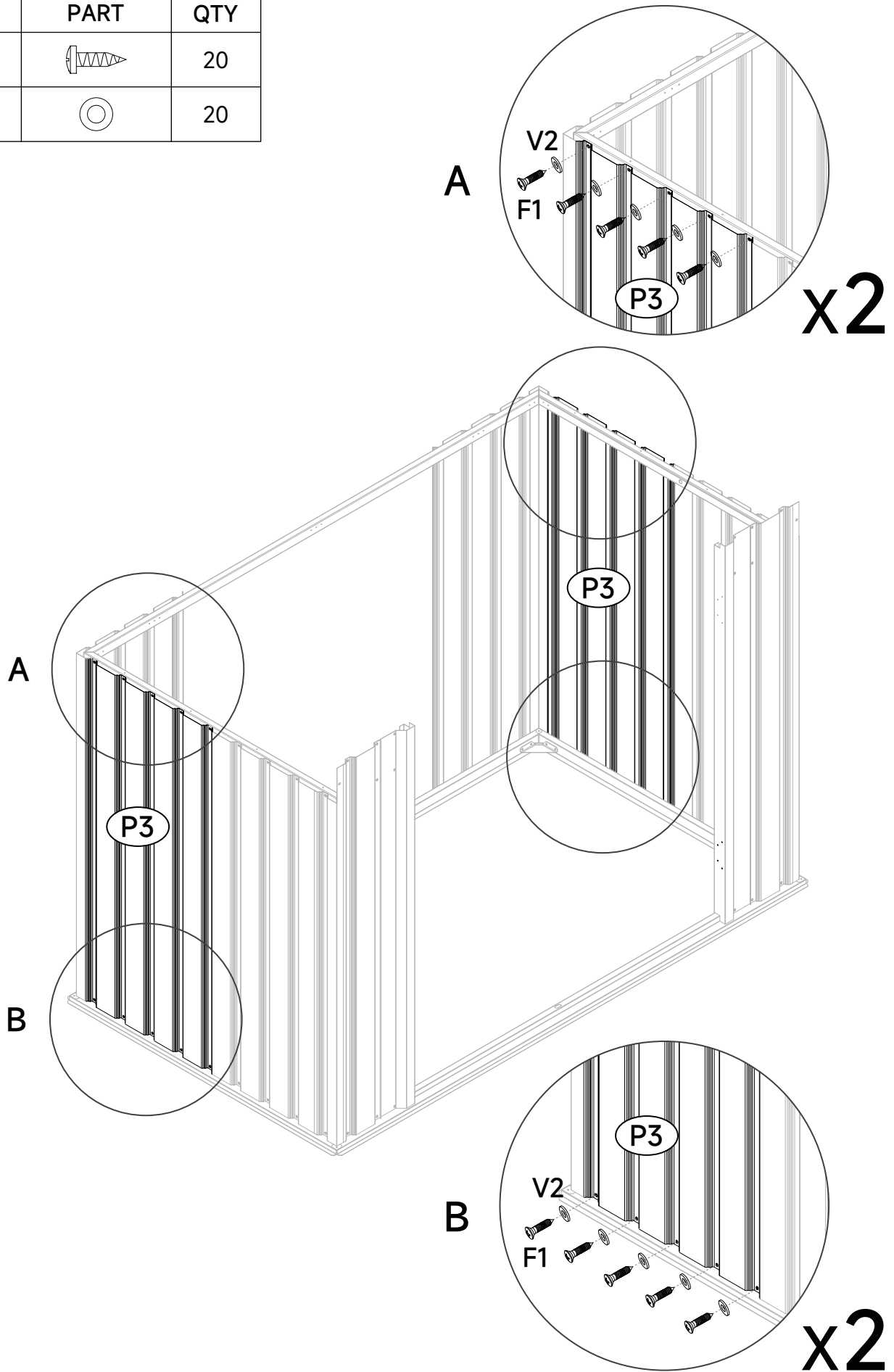
Tighten in place with [F1] and [V2].
Note: Be cautious of sharp edges.

x2

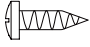



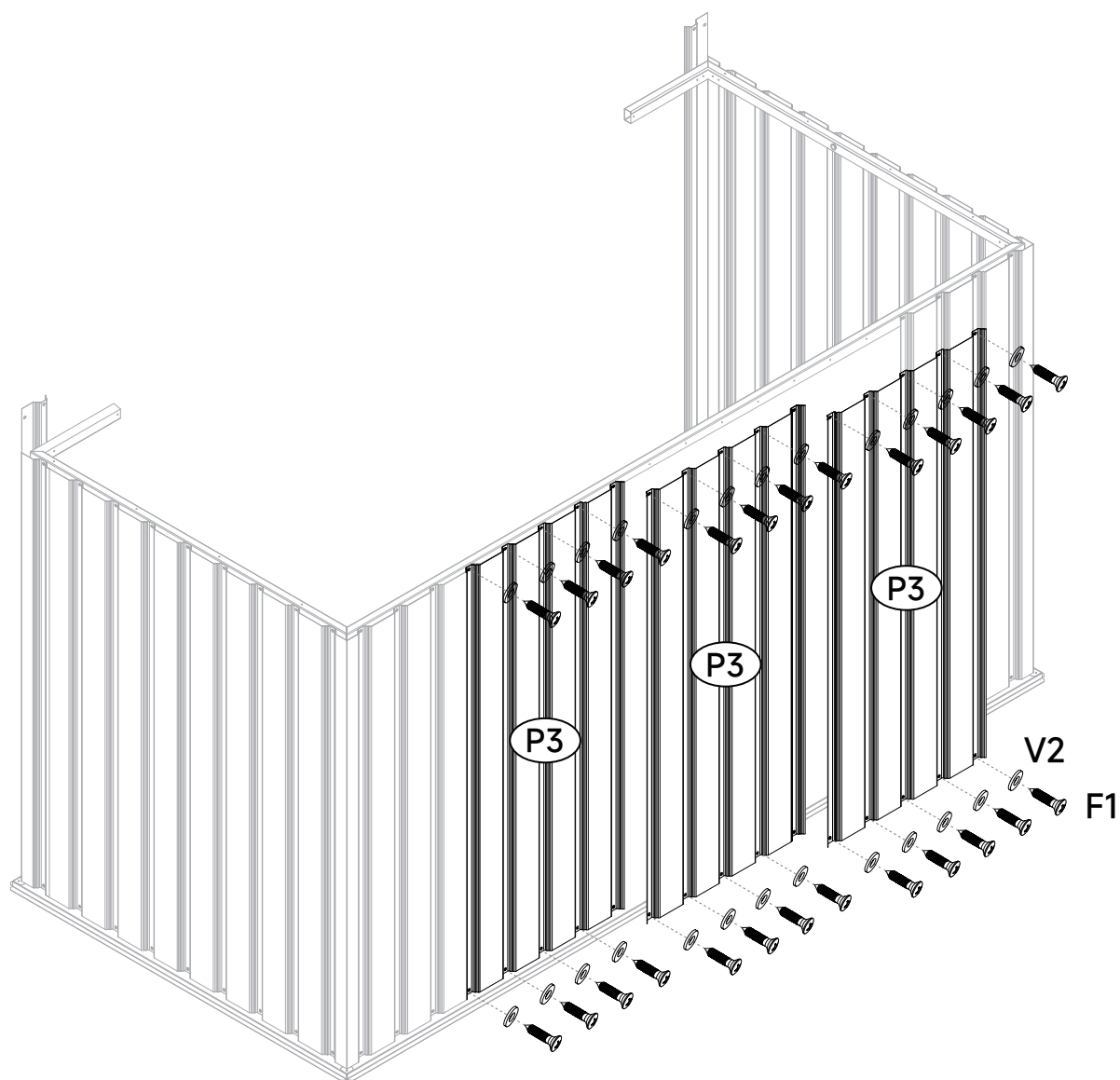
STEP 11

NO	PART	QTY
F1		20
V2		20

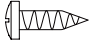


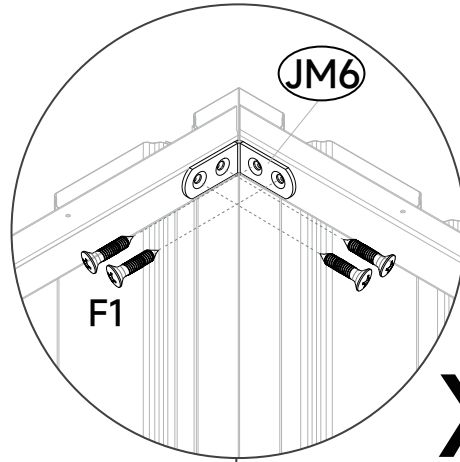
STEP 12

NO	PART	QTY
F1		26
V2		26

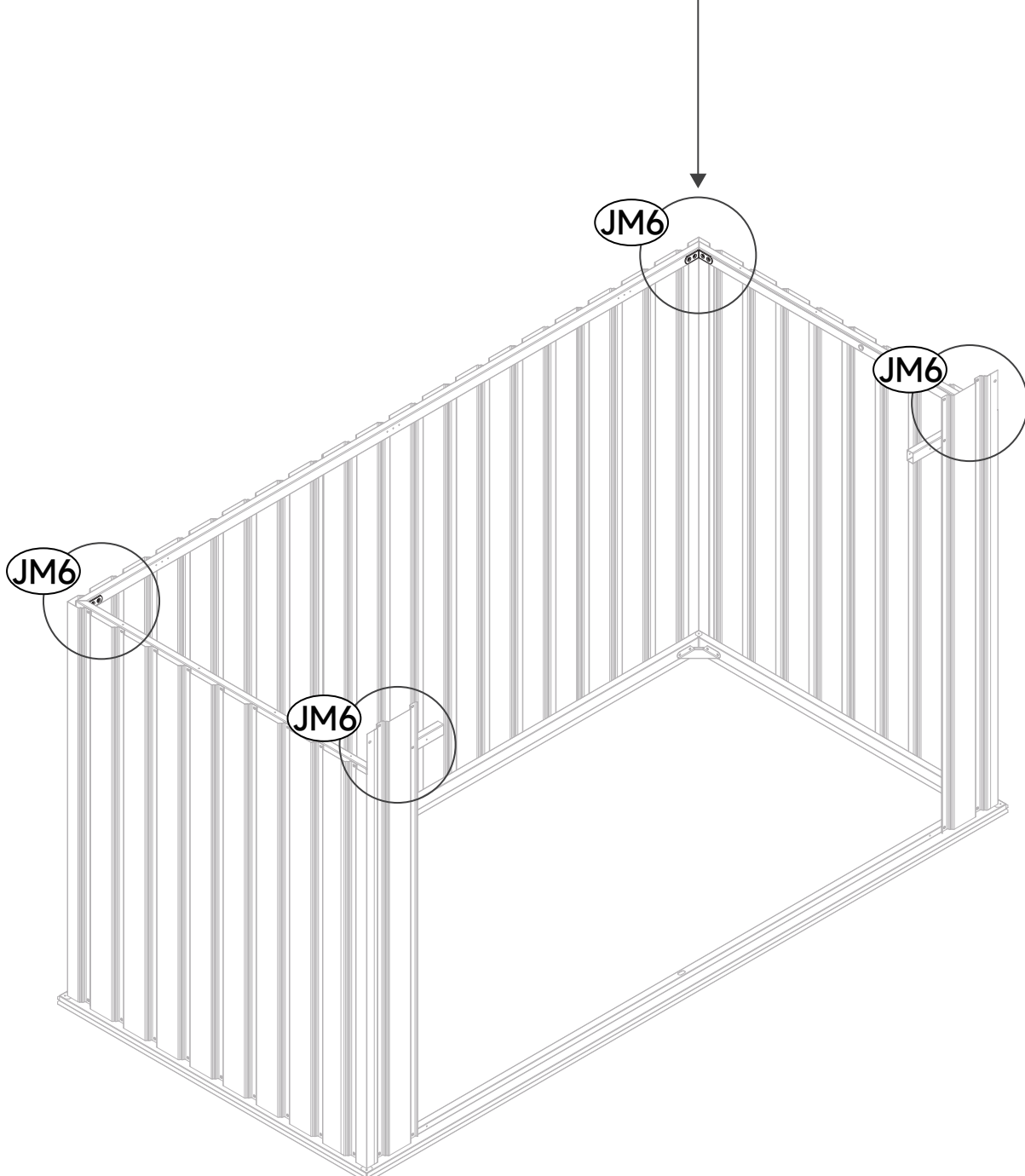


STEP 13

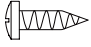

NO	PART	QTY
F1		16

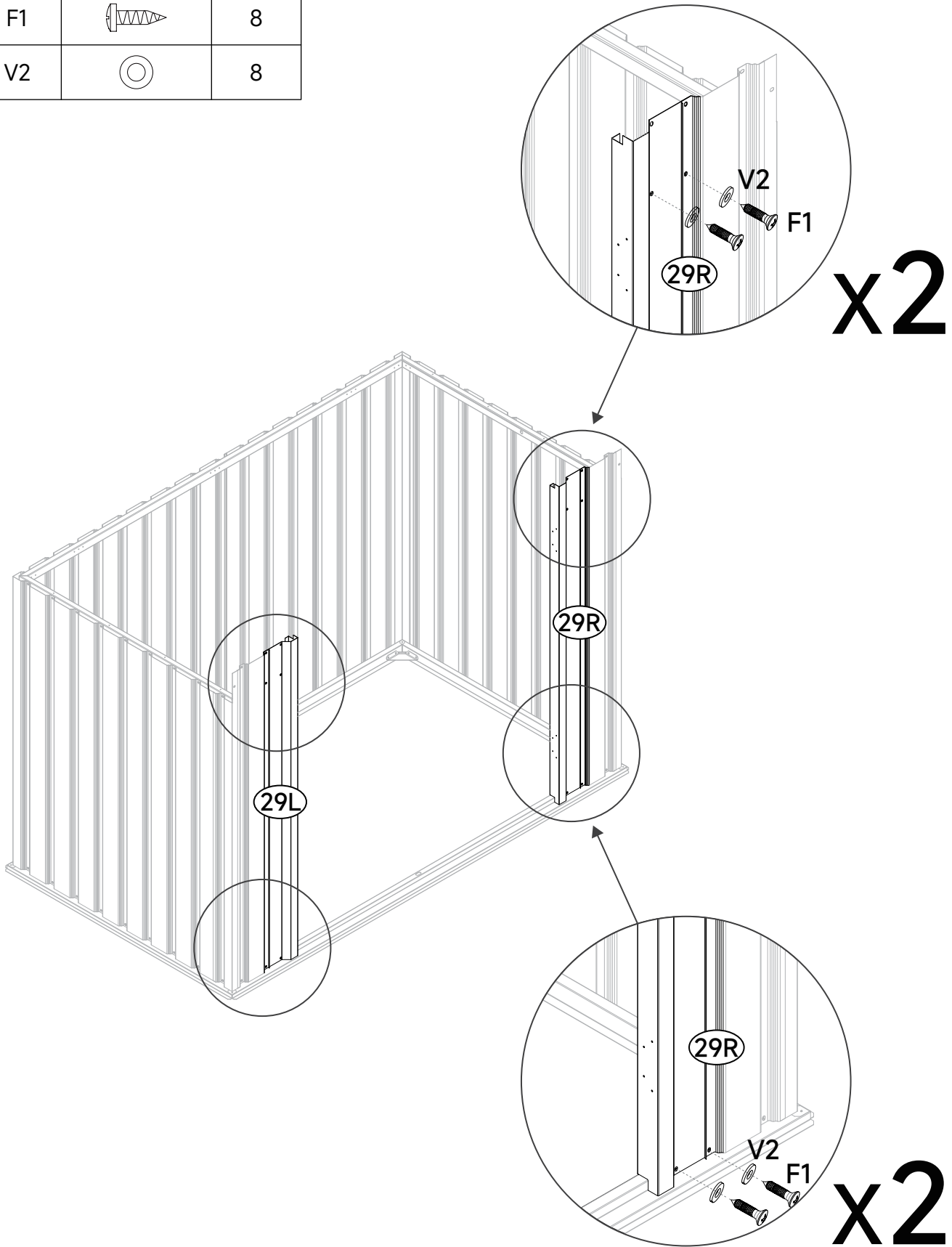


x4

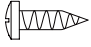



STEP 14

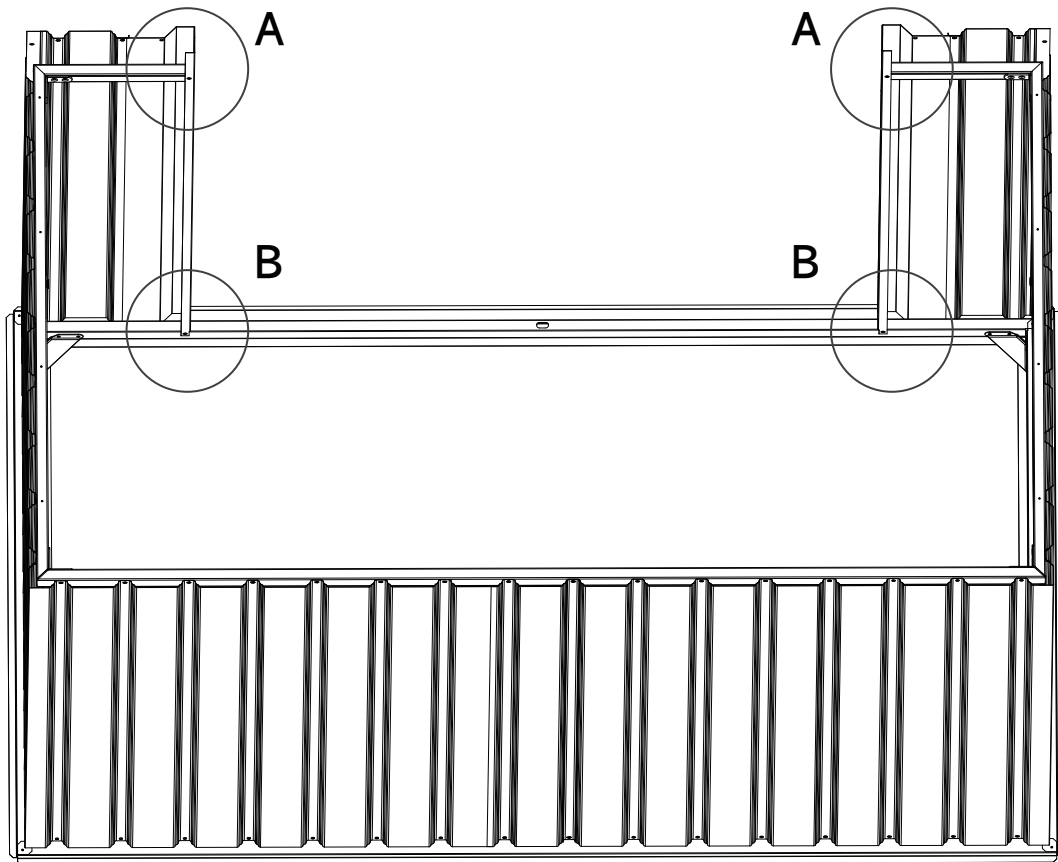
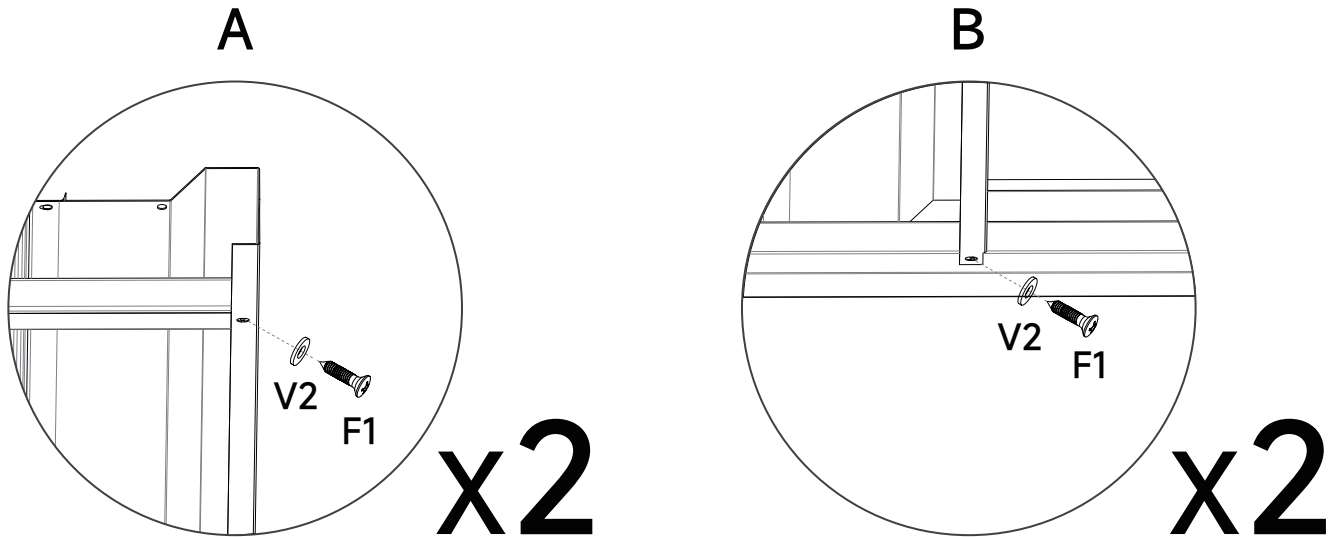
NO	PART	QTY
F1		8
V2		8





STEP 15

NO	PART	QTY
F1		4
V2		4

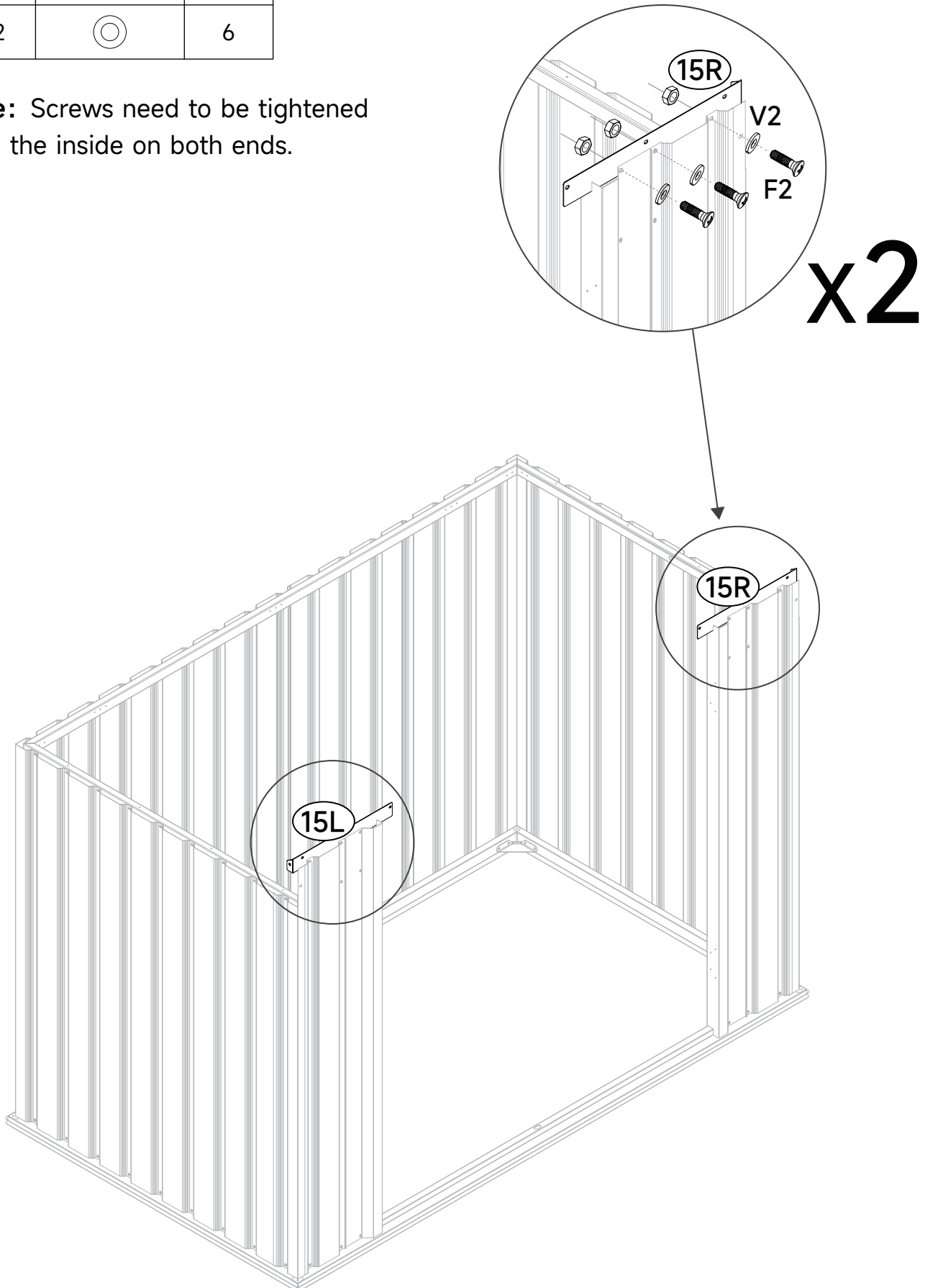
Note: Screws need to be tightened from both the inside.



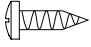

STEP 16

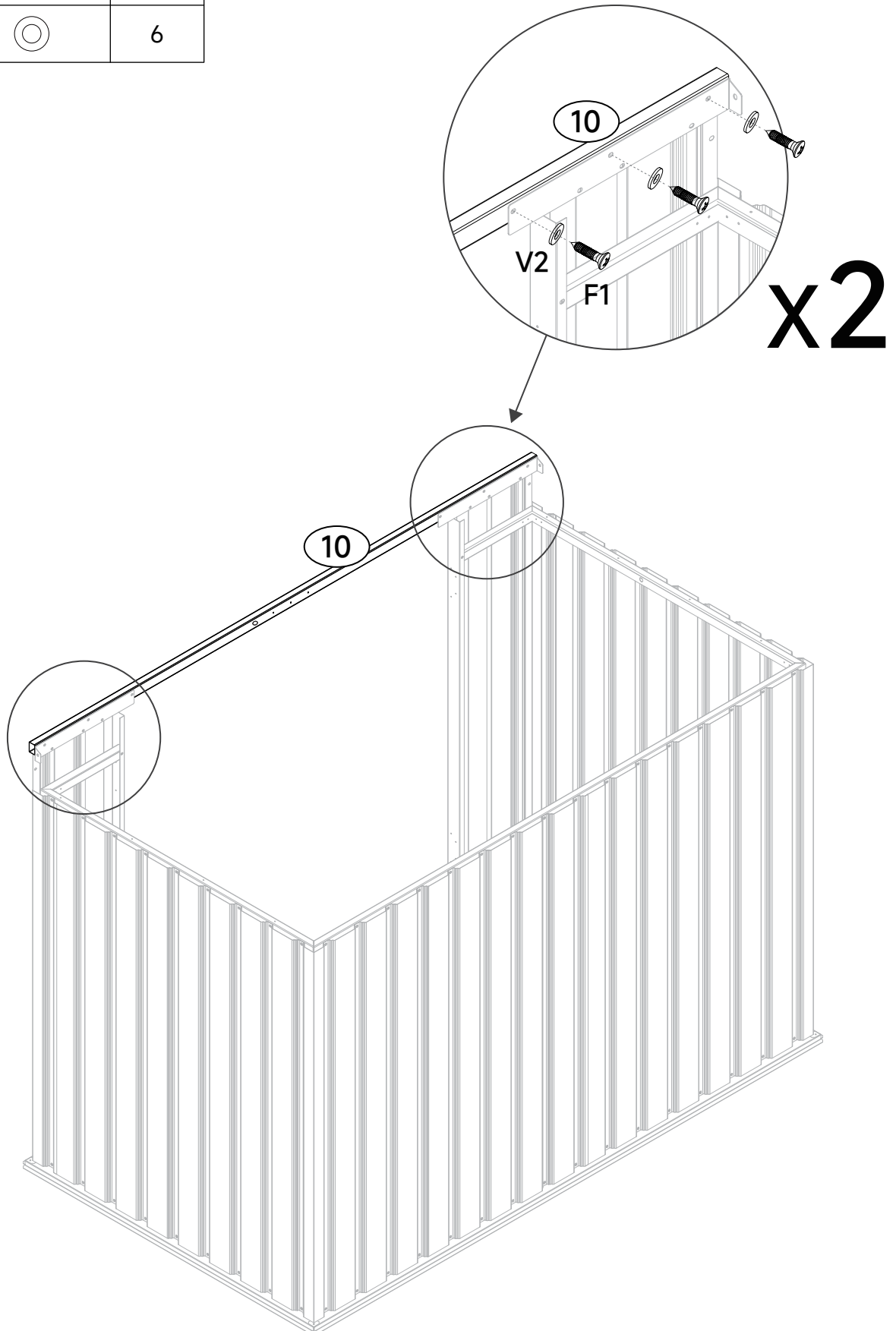
NO	PART	QTY
F2		6
V2		6

Note: Screws need to be tightened from the inside on both ends.



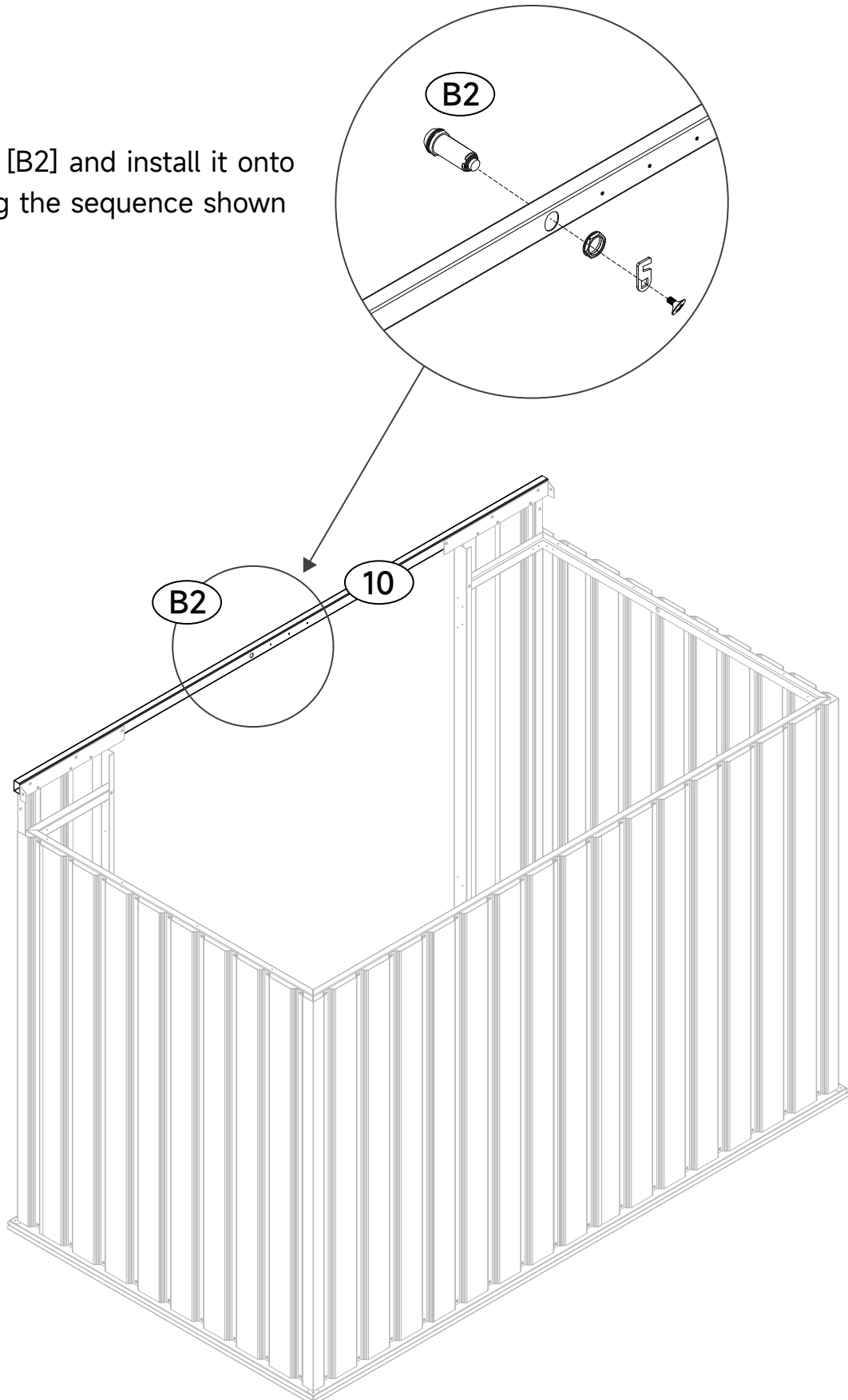
STEP 17

NO	PART	QTY
F1		6
V2		6

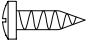



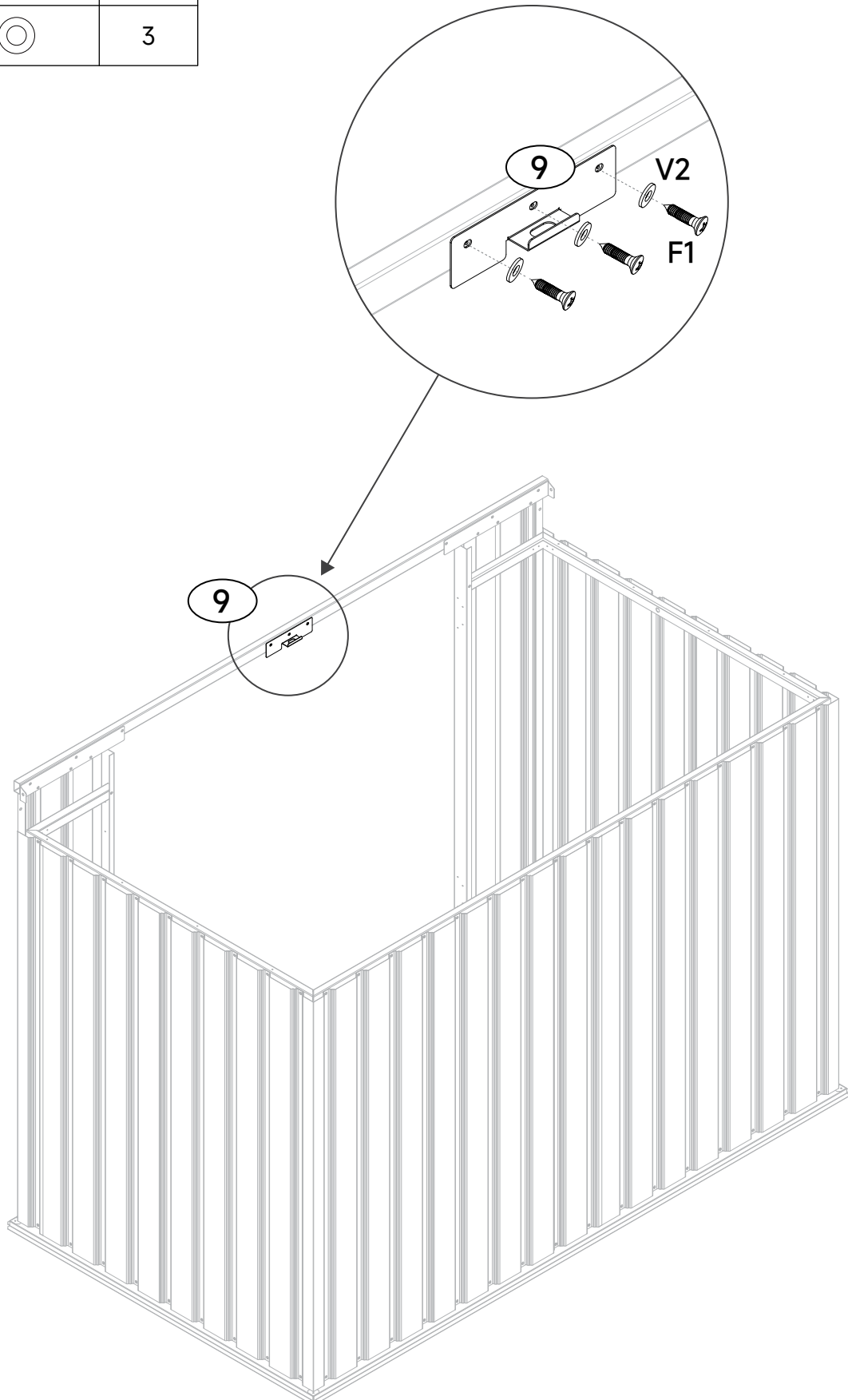
STEP 18

Disassemble [B2] and install it onto [10] following the sequence shown in the figure.





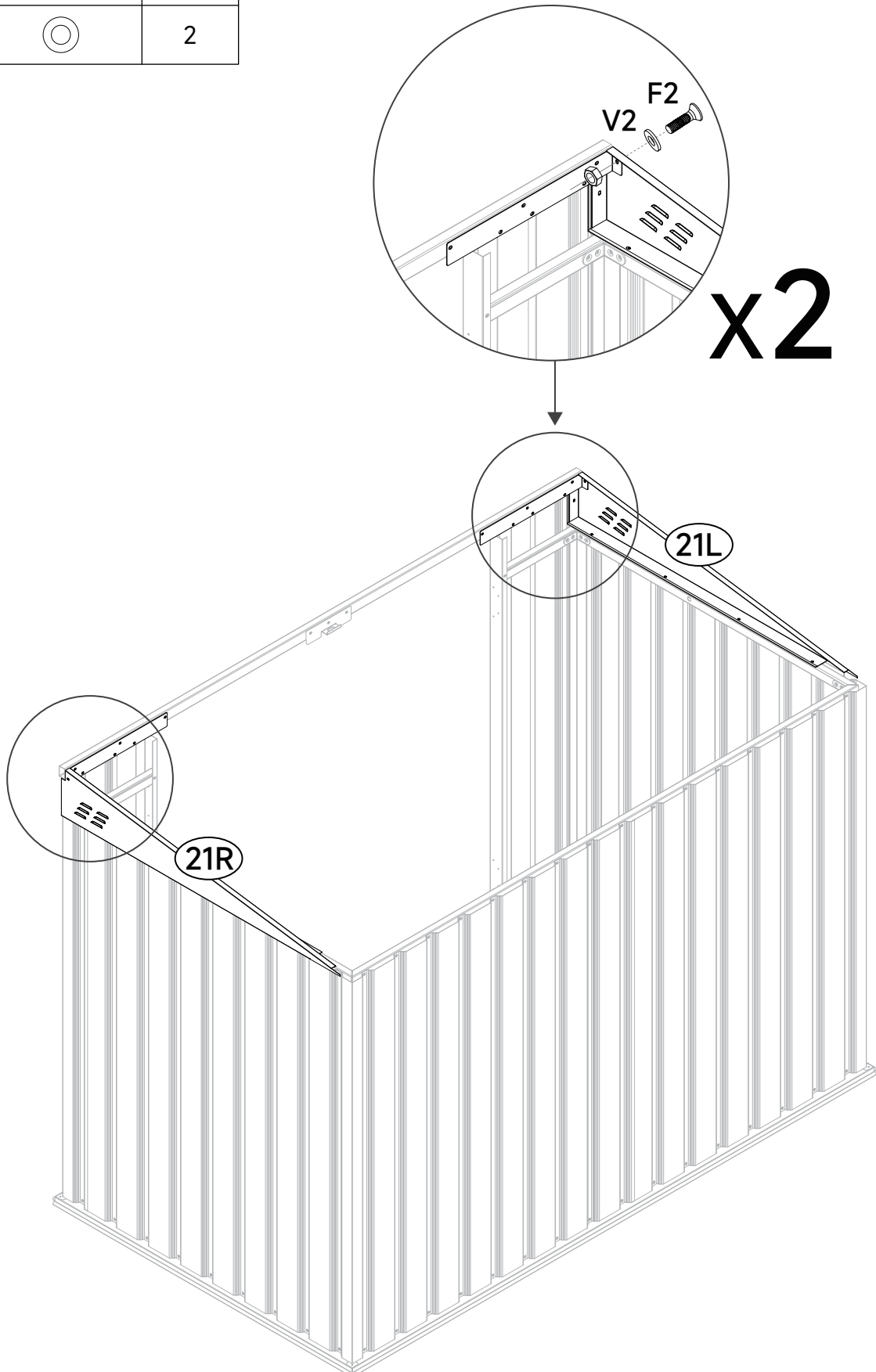
STEP 19

NO	PART	QTY
F1		3
V2		3

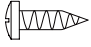



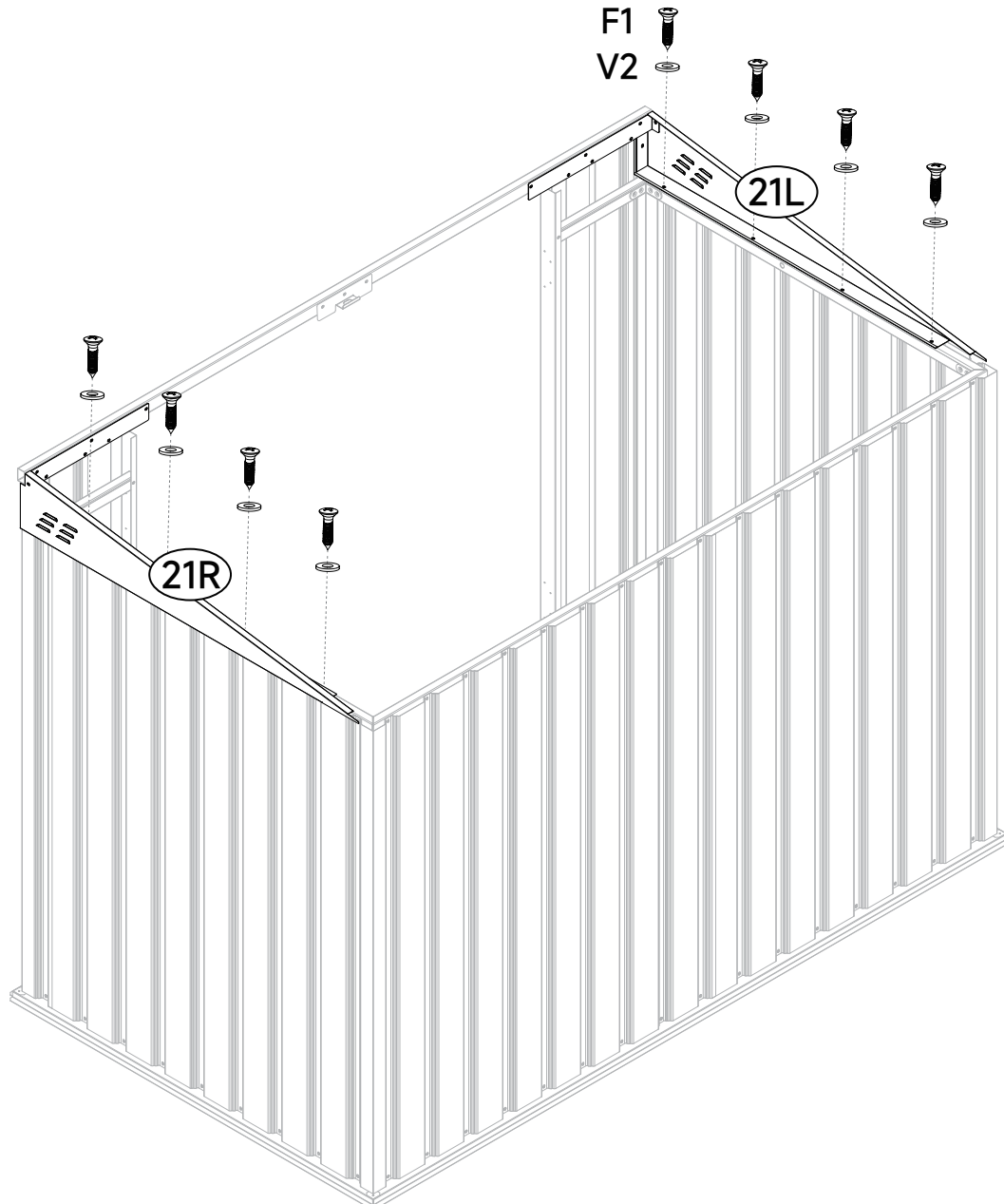
STEP 20

NO	PART	QTY
F2		2
V2		2





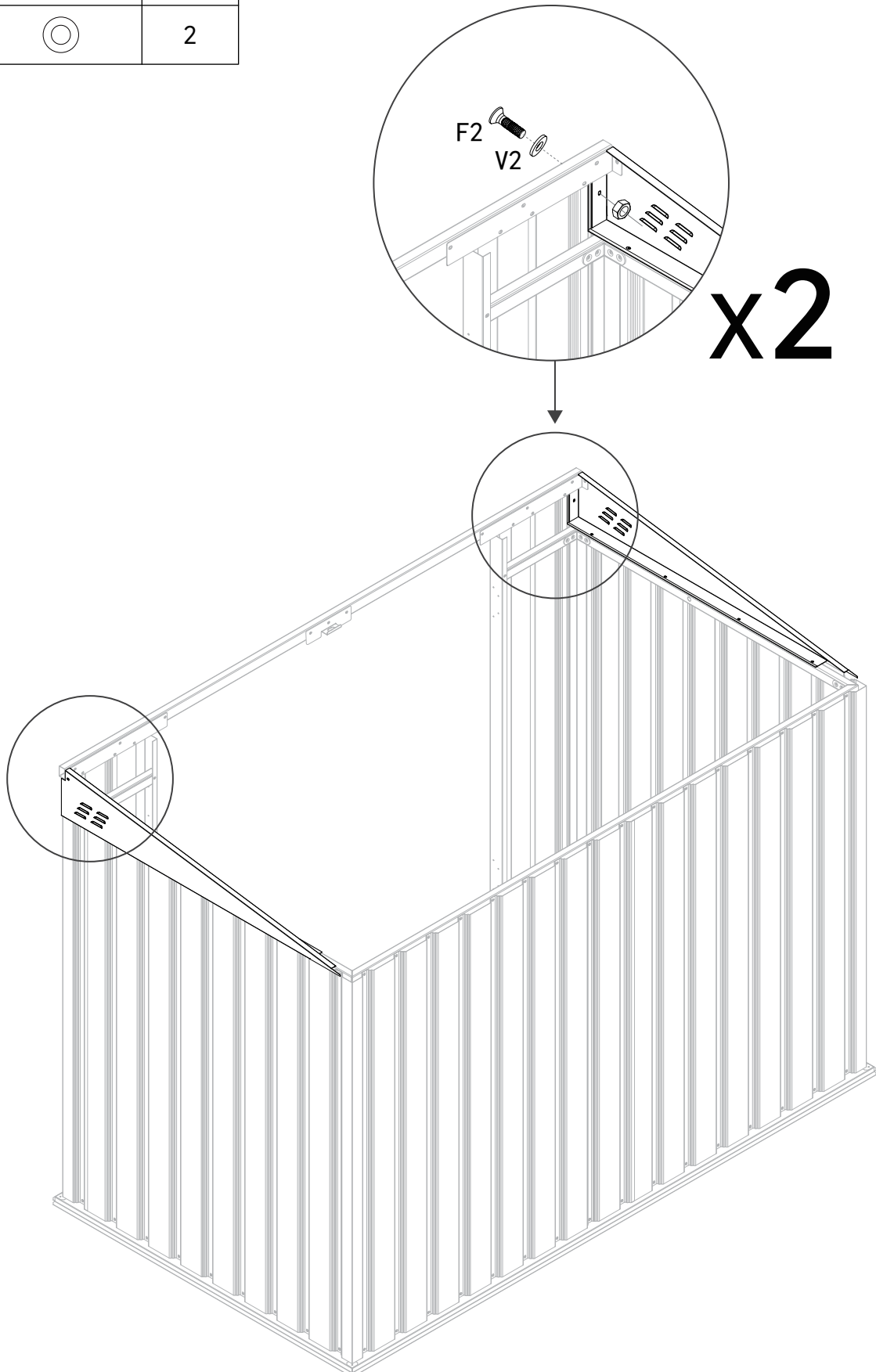
STEP 21

NO	PART	QTY
F1		8
V2		8

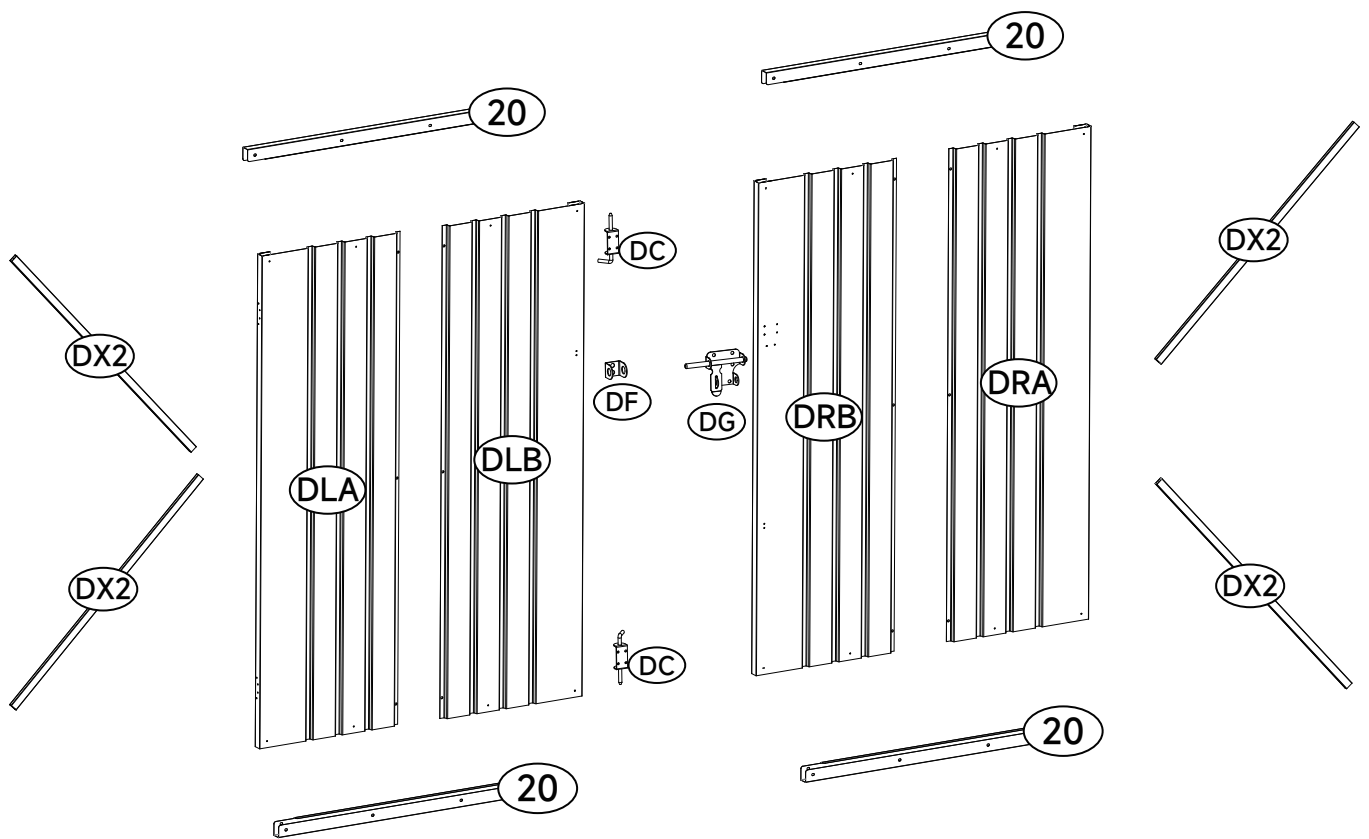


STEP 22

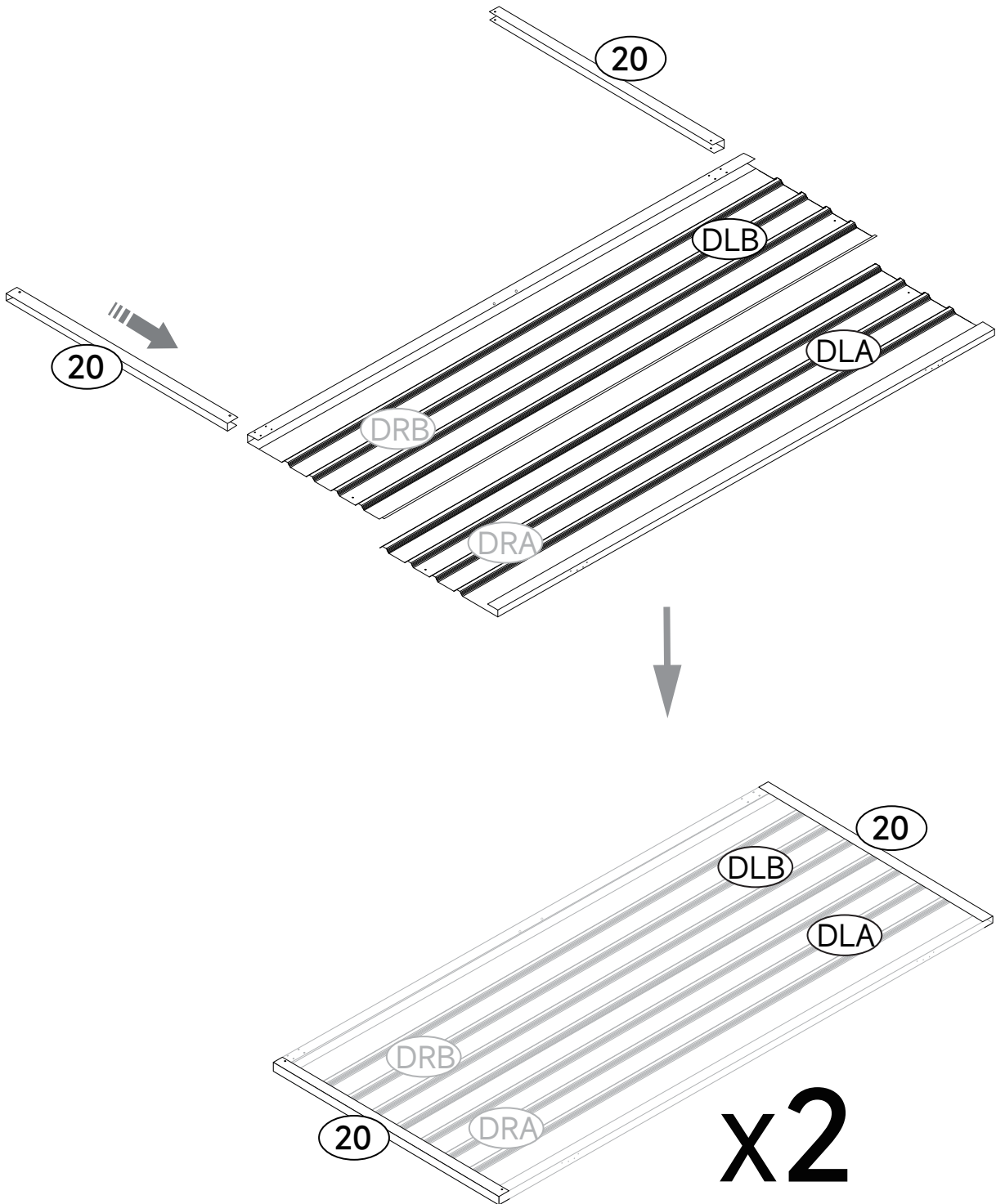
NO	PART	QTY
F2		2
V2		2



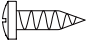

STEP 23

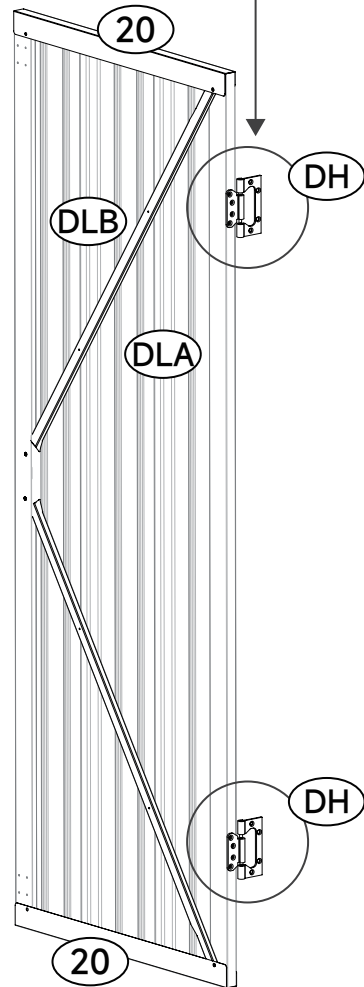
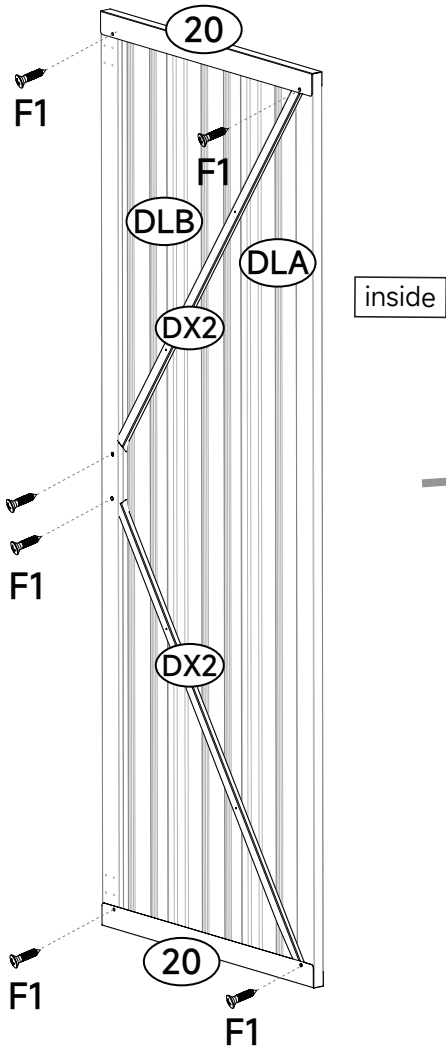
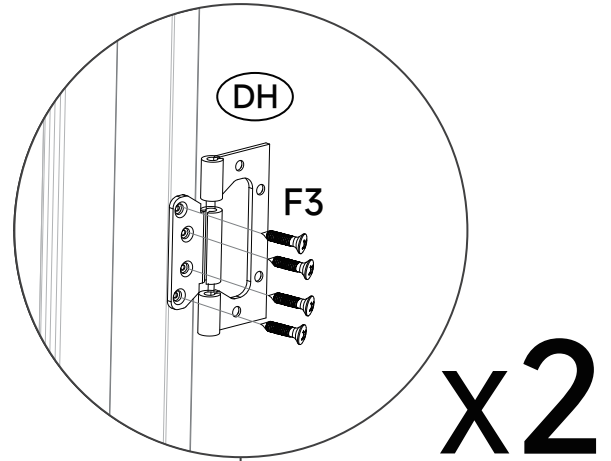


STEP 24

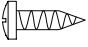
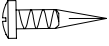


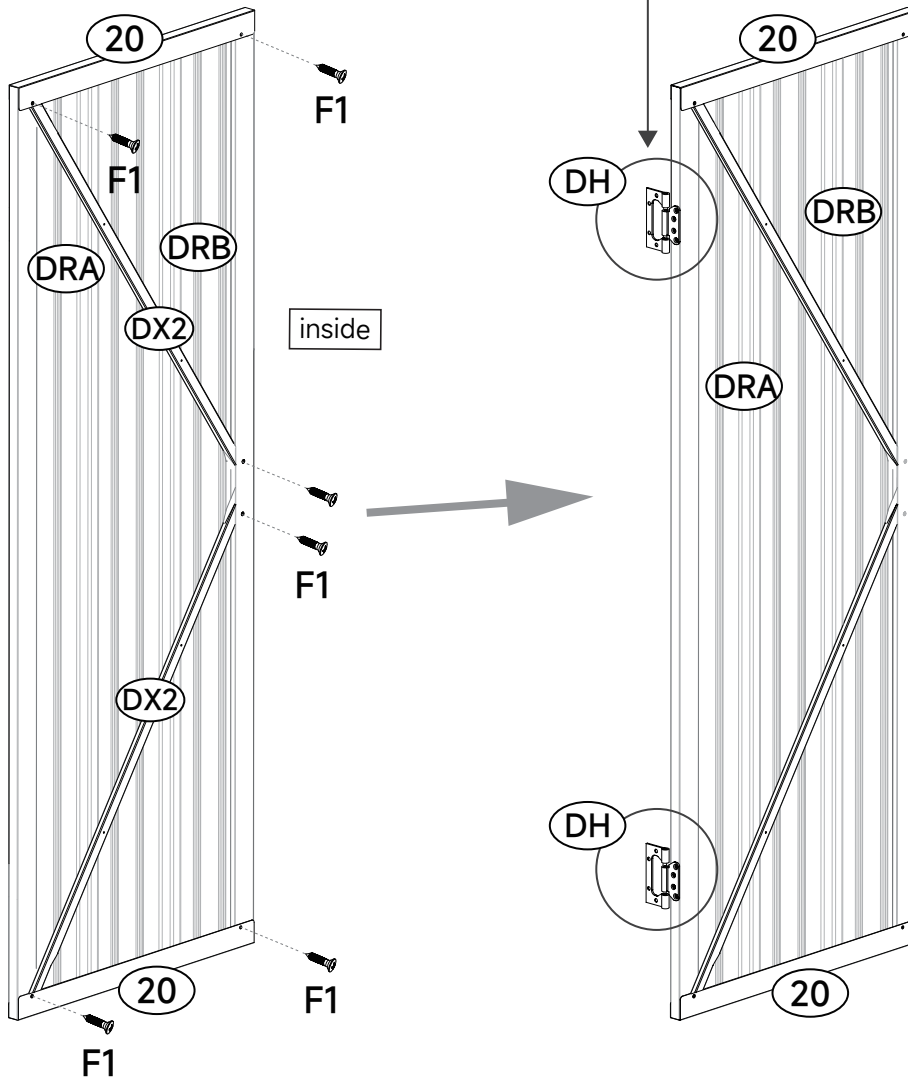
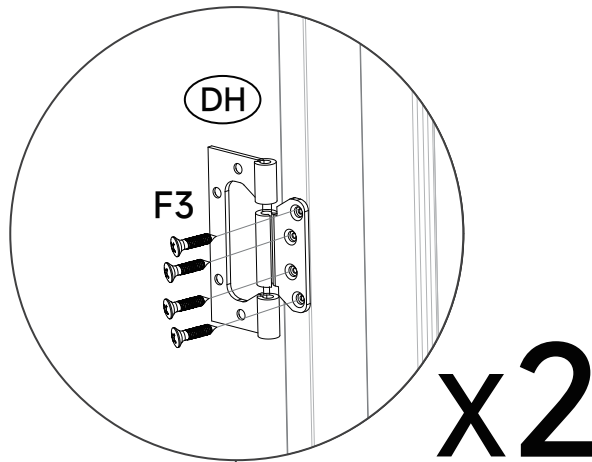
STEP 25

NO	PART	QTY
F1		6
F3		8

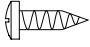


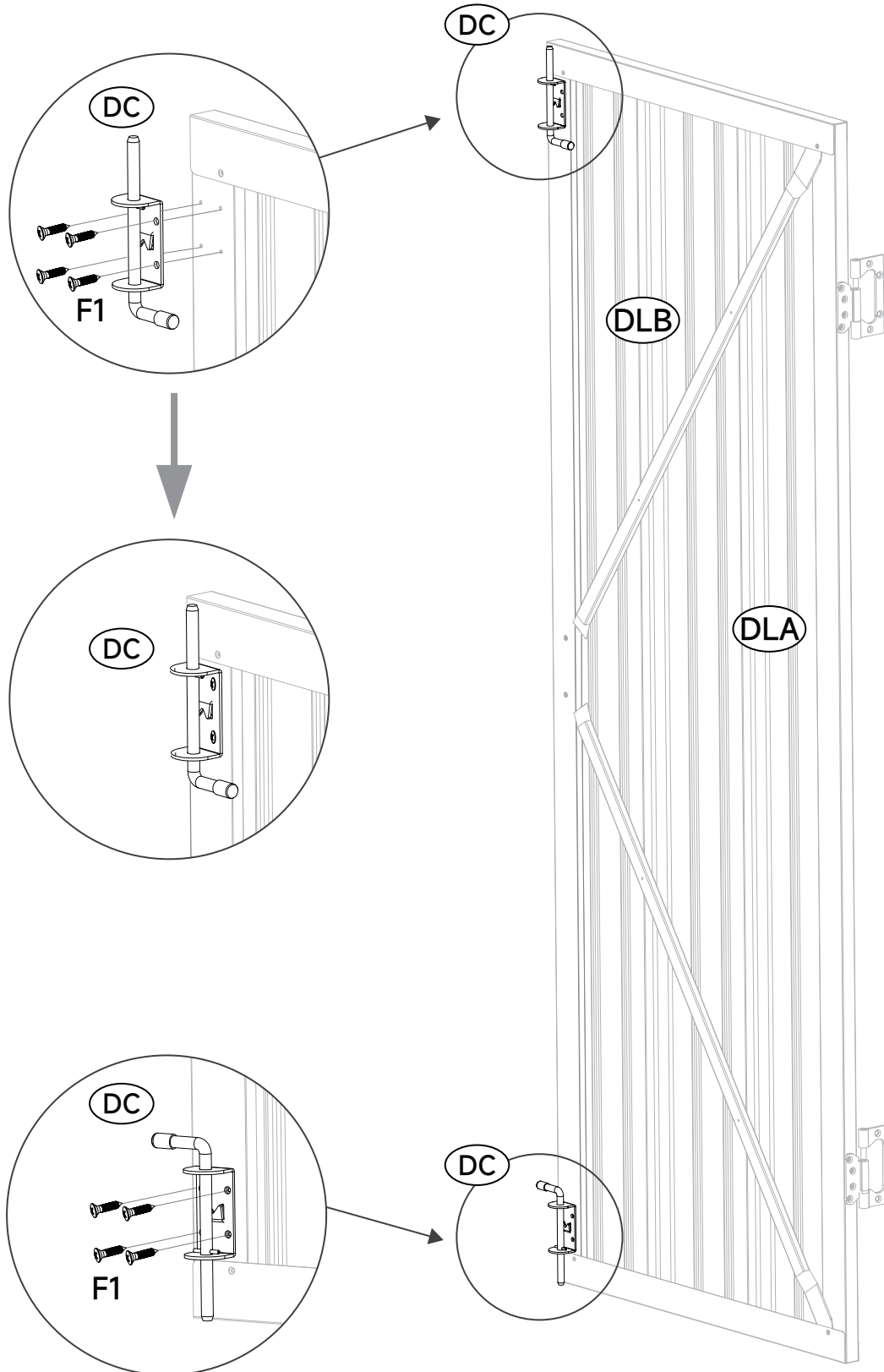
STEP 26

NO	PART	QTY
F1		6
F3		8

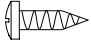


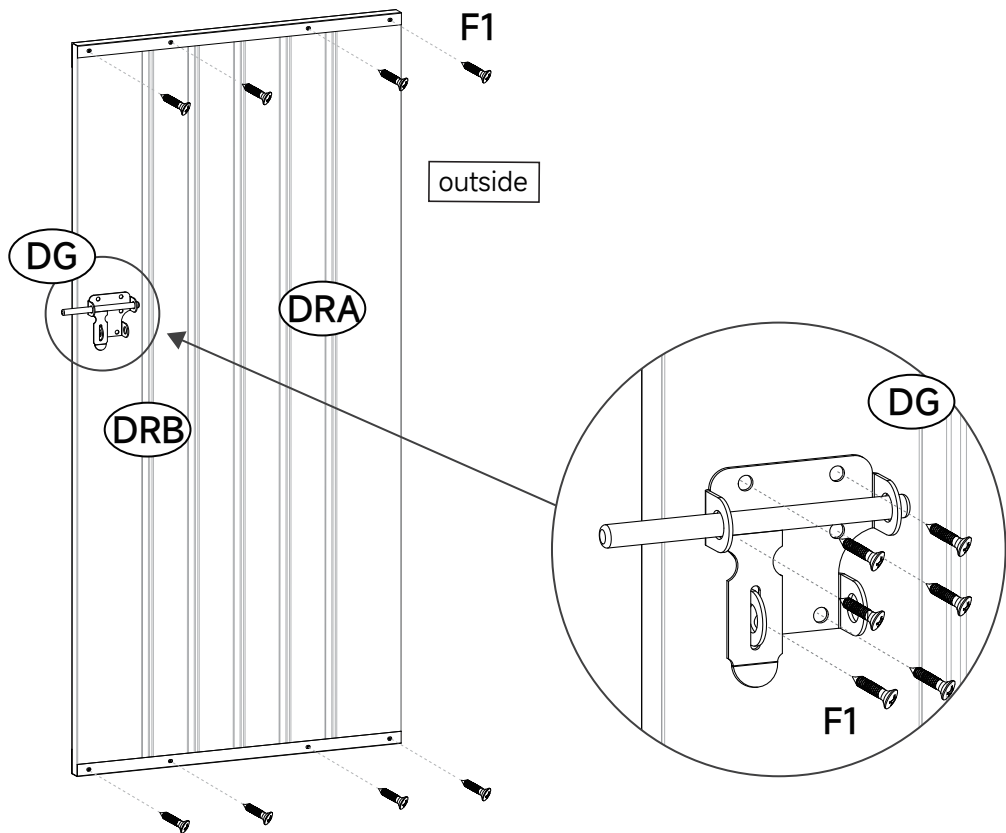
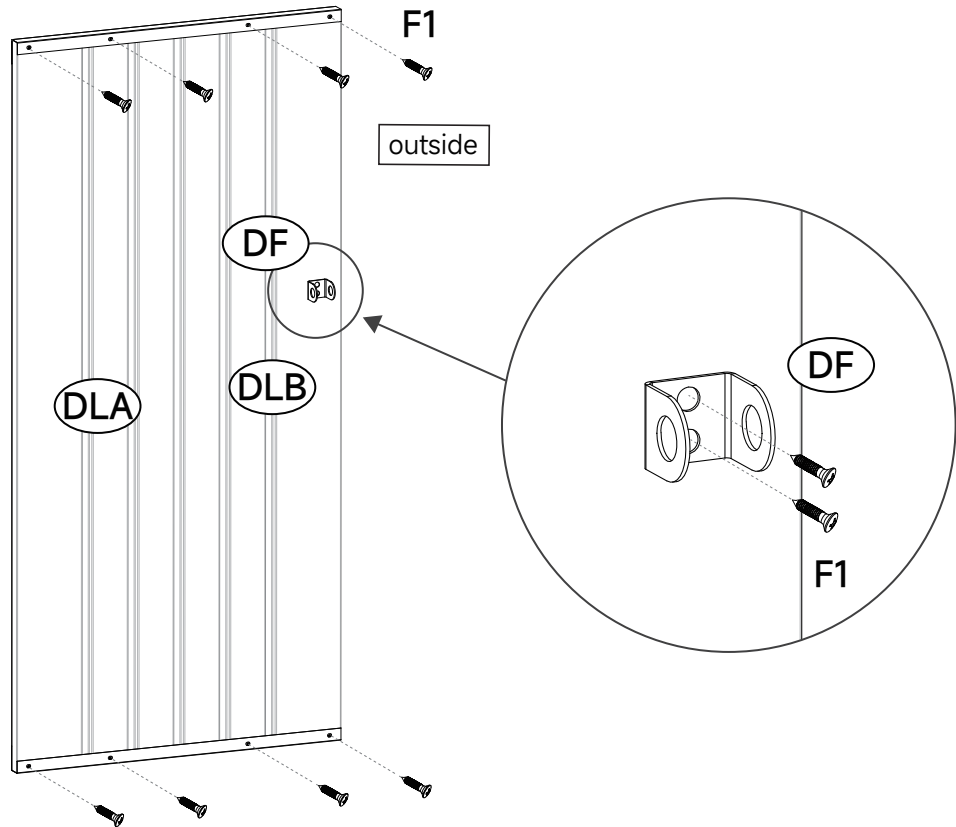
STEP 27

NO	PART	QTY
F1		8

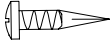


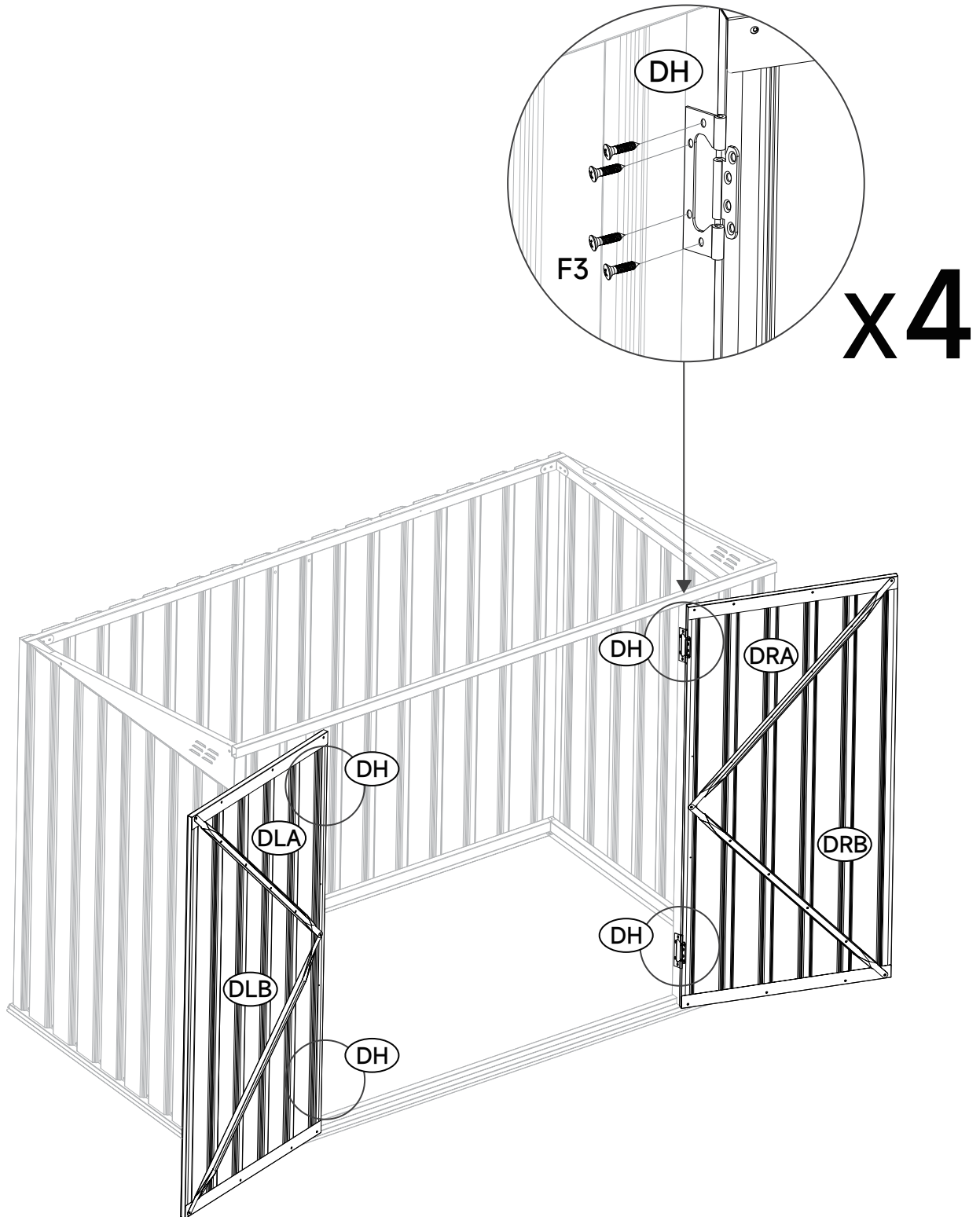
STEP 28

NO	PART	QTY
F1		24

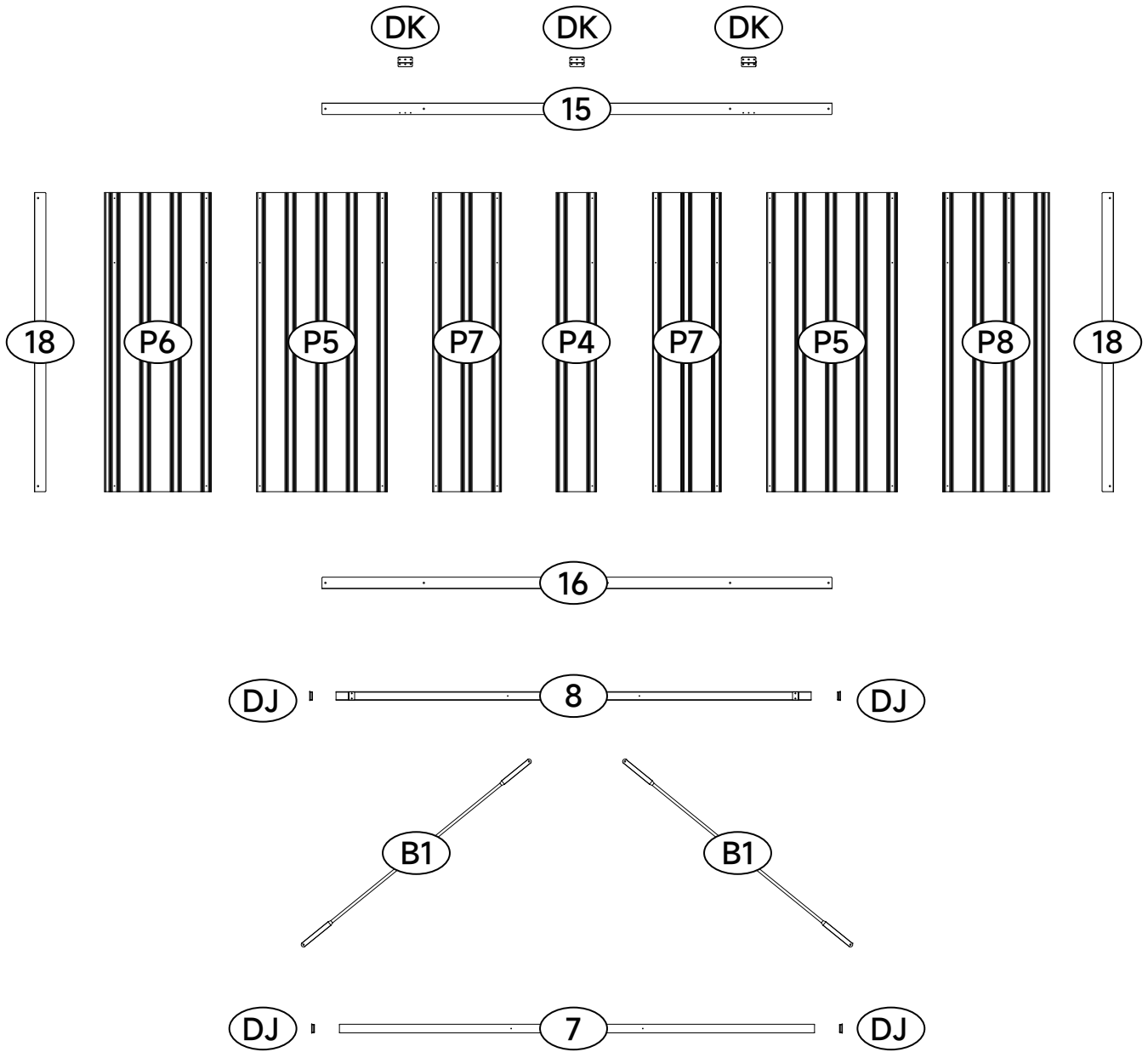


STEP 29

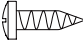

NO	PART	QTY
F3		16

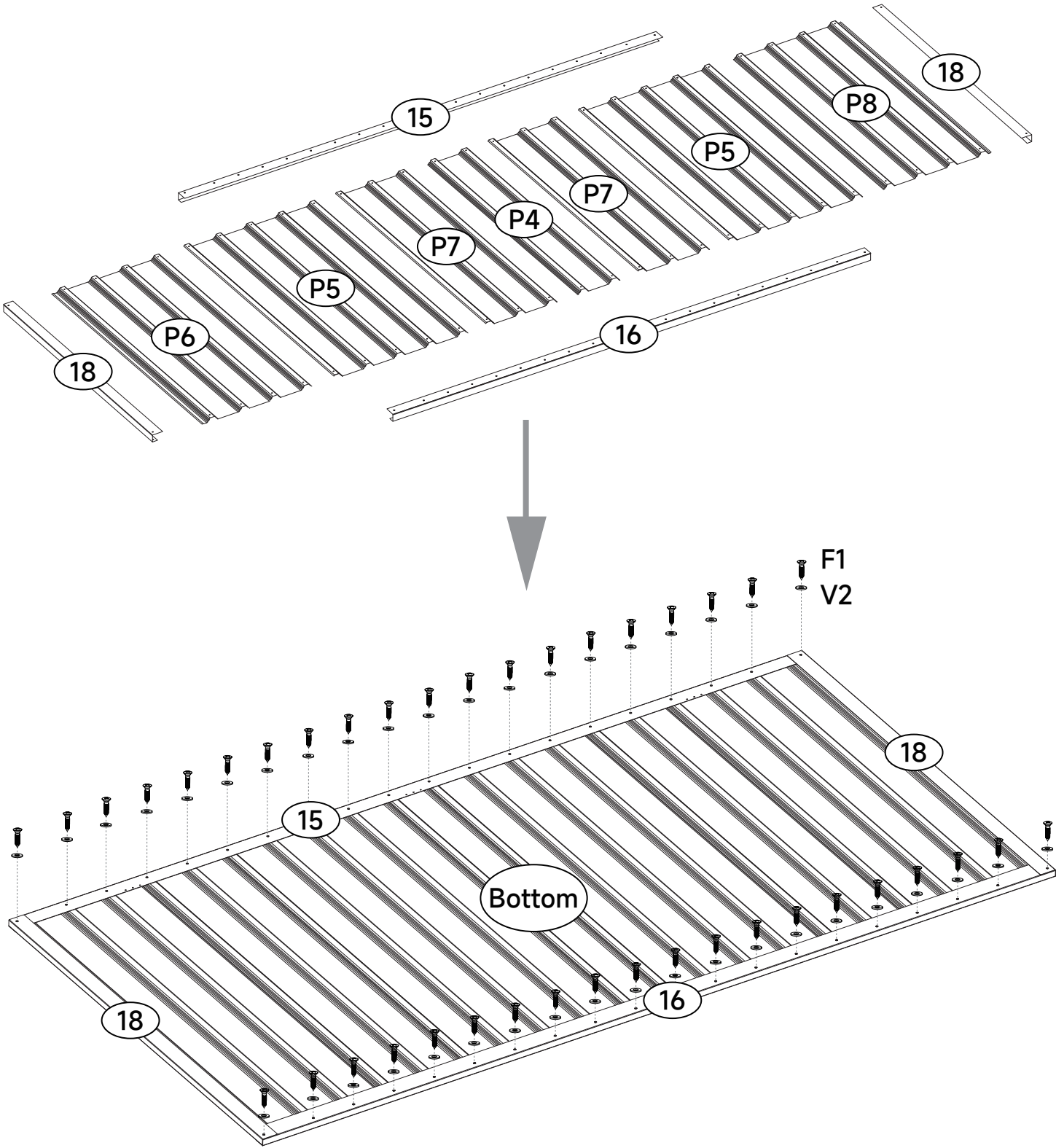


STEP 30

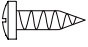



STEP 31

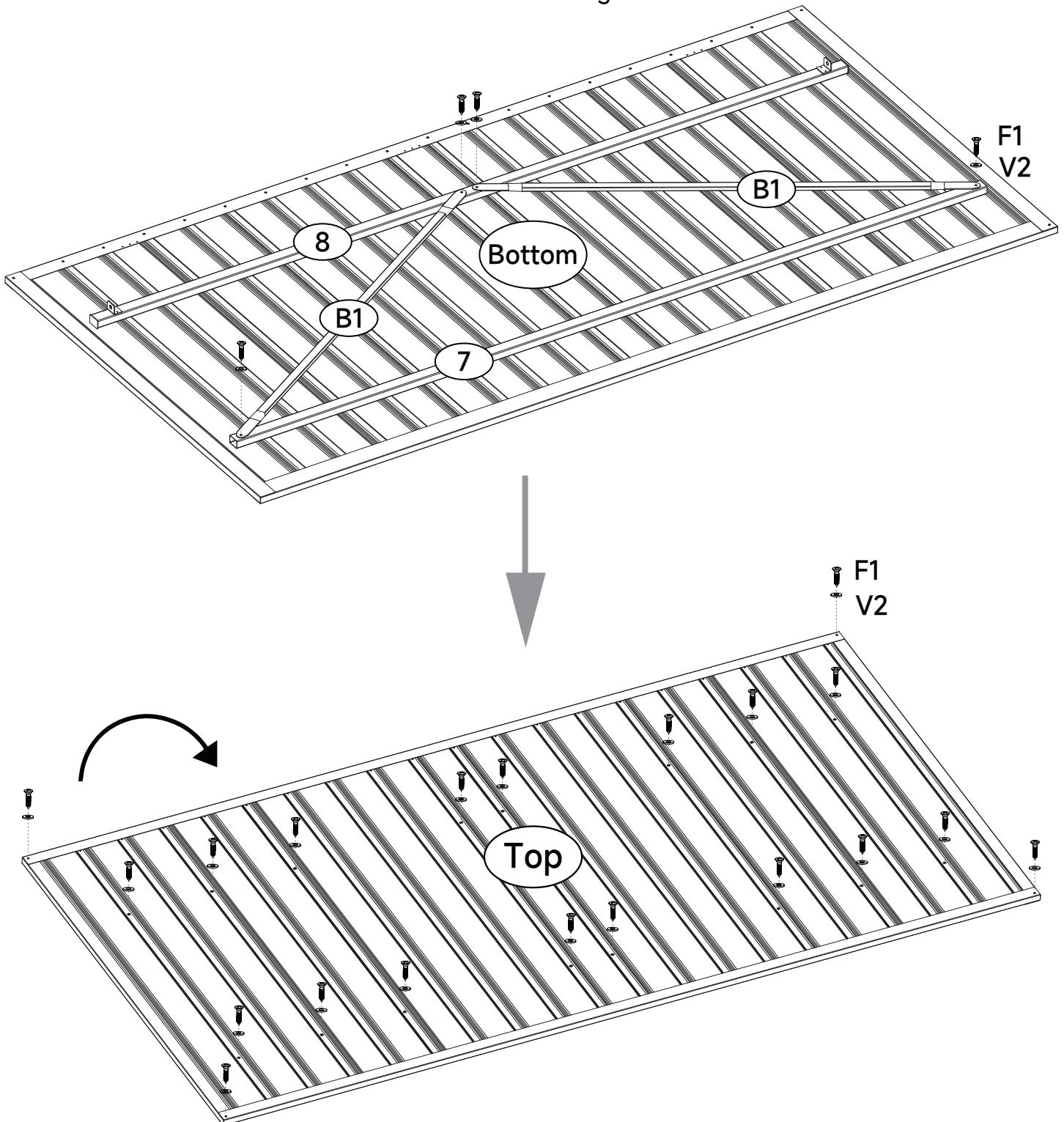
NO	PART	QTY
F1		40
V2		40



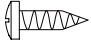

STEP 32

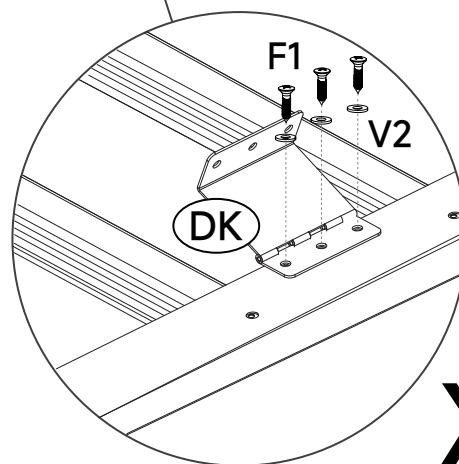
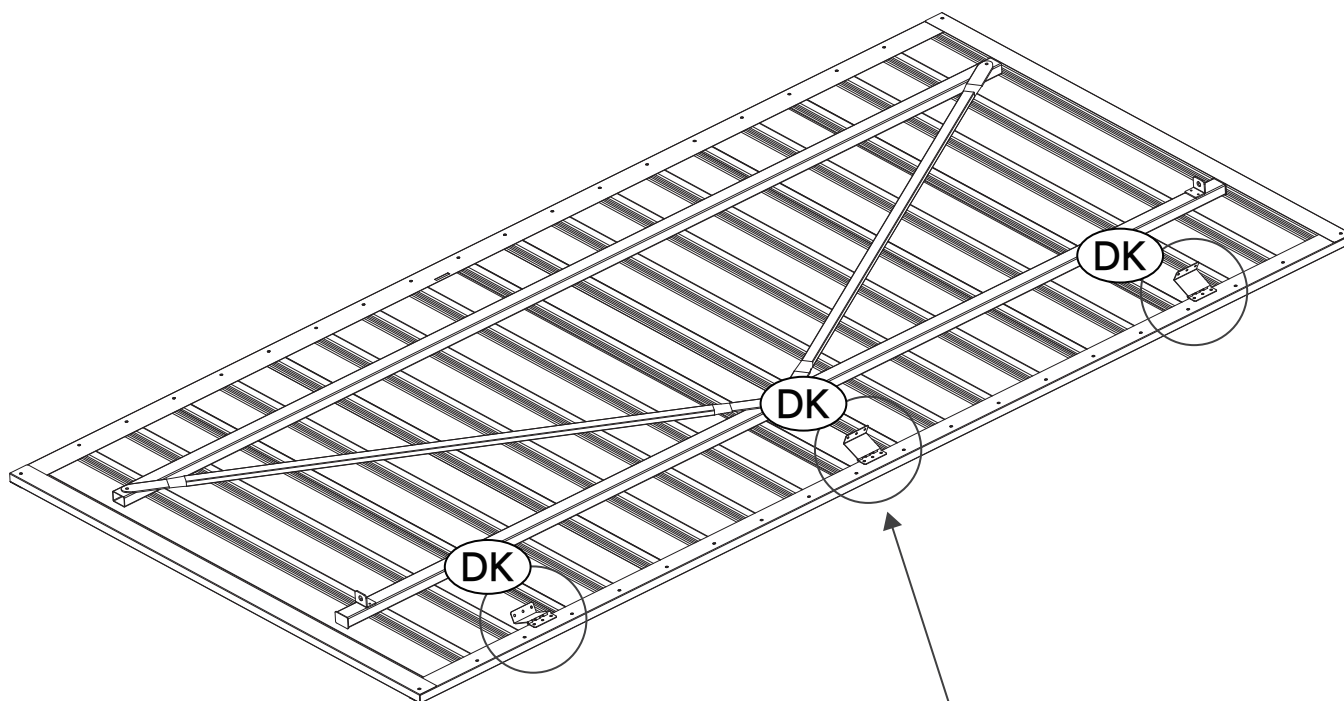
NO	PART	QTY
F1		24
V2		24

Secure [7] and [8] with [B1] on the inside, and tighten with [F1] and [V2] on the front side as shown in the figure.



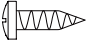

STEP 33

NO	PART	QTY
F1		9
V2		9

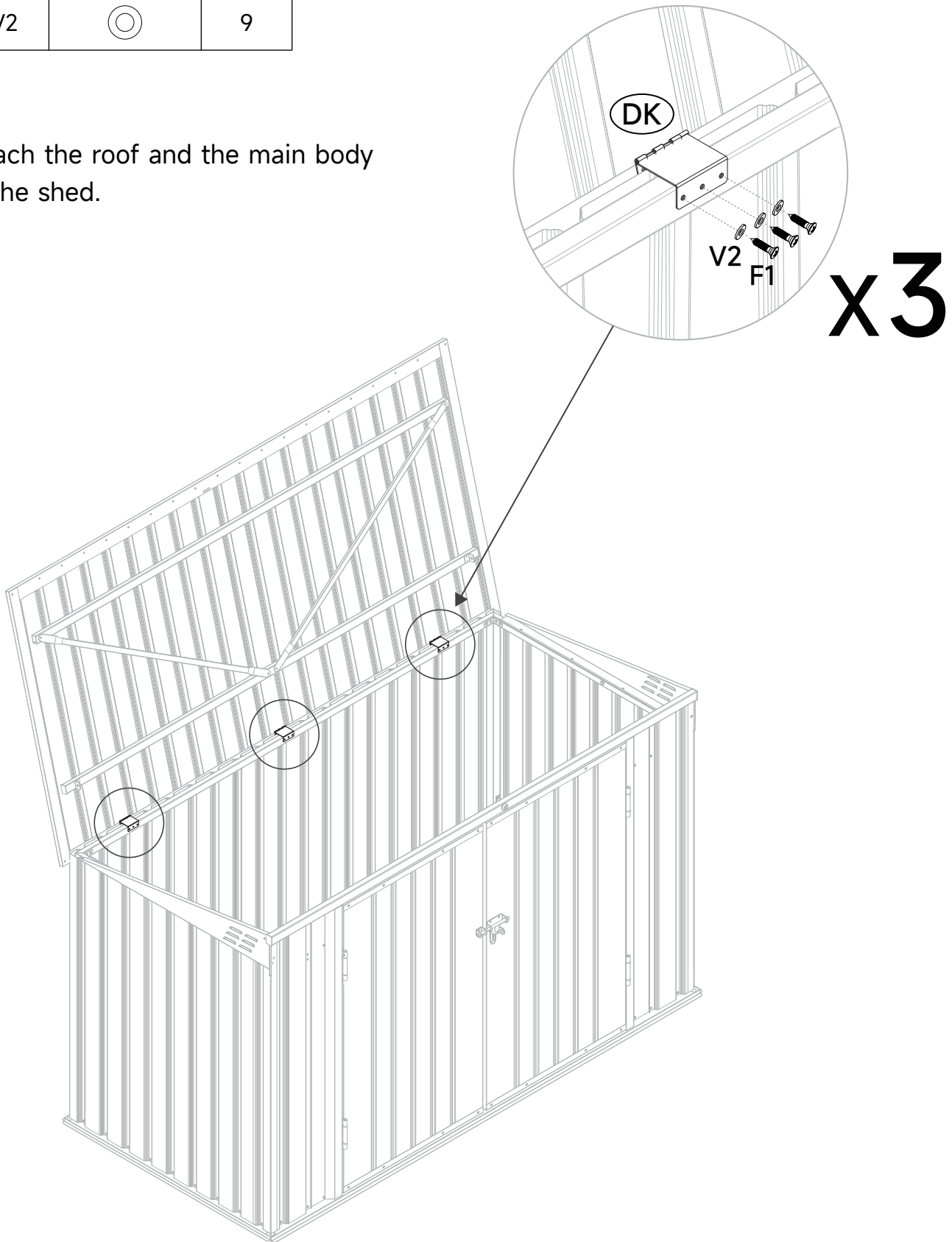


x3


STEP 34

NO	PART	QTY
F1		9
V2		9

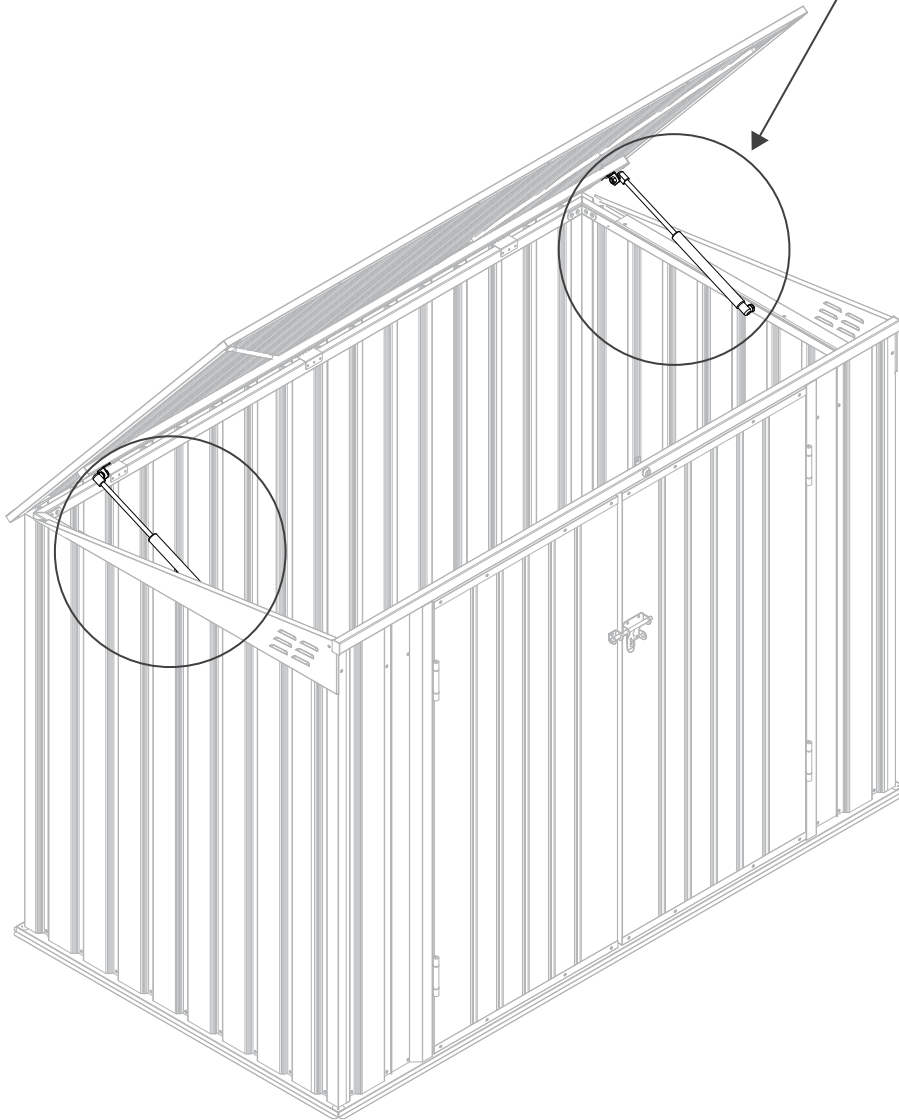
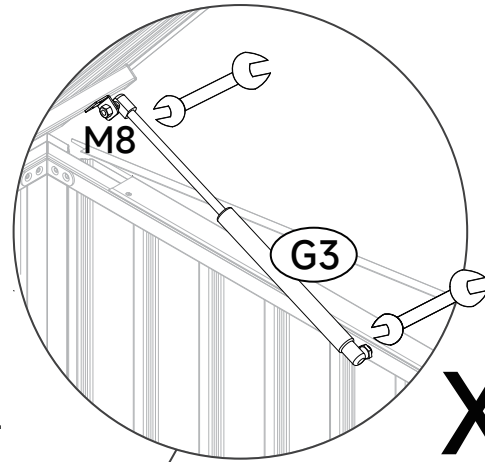
Attach the roof and the main body of the shed.




STEP 35

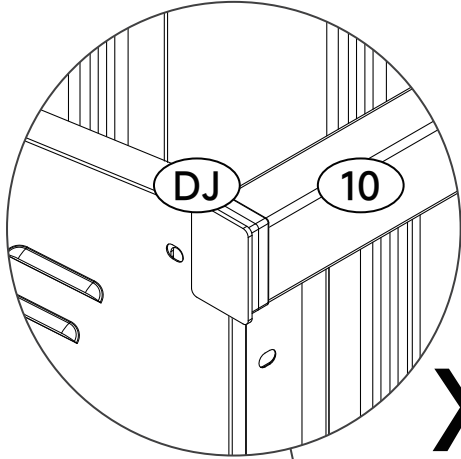
NO	PART	QTY
M8		2

Tighten 2 pieces of [G3] to the position shown in the figure using a wrench and [M8].



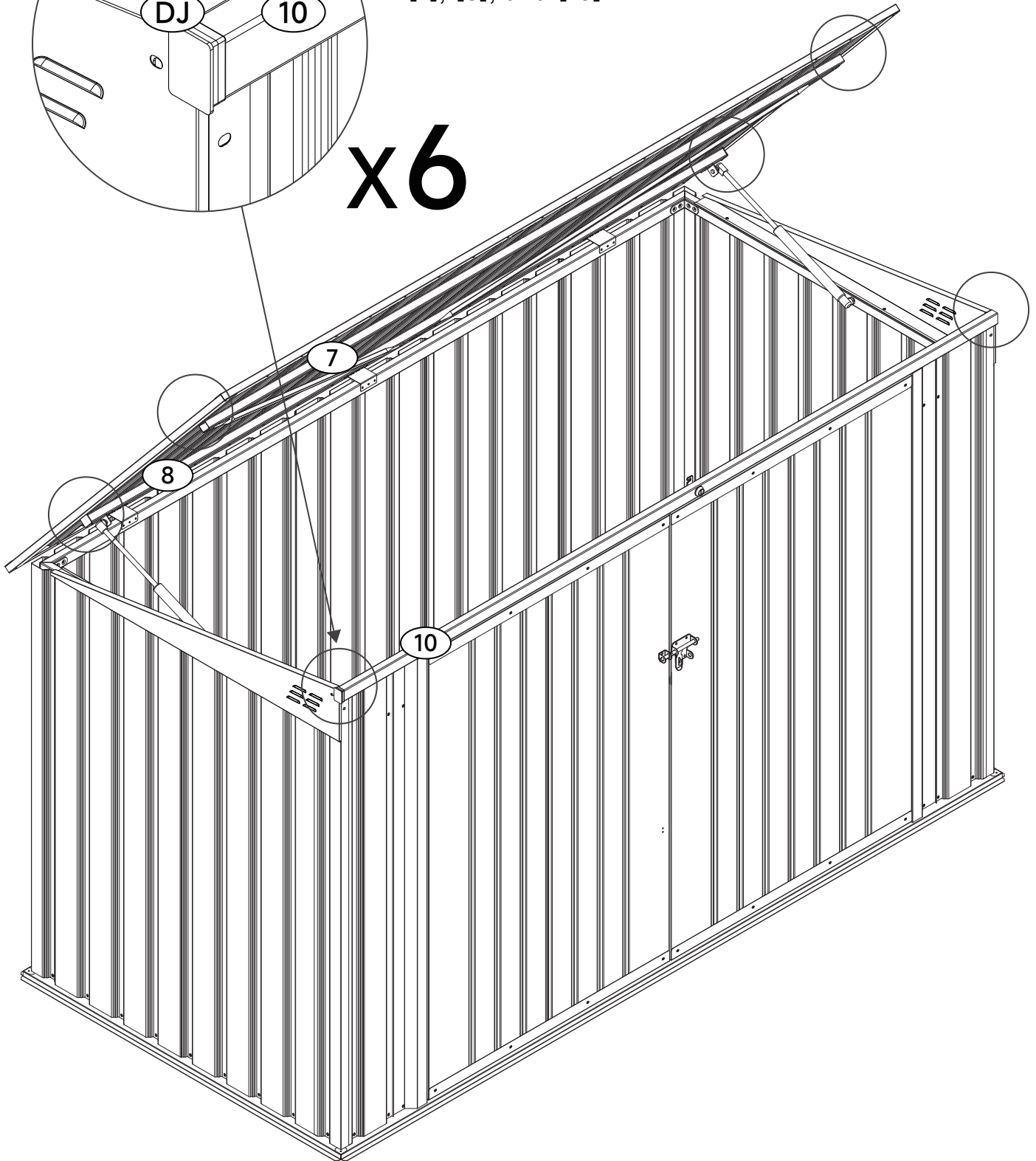
STEP 36

NO	PART	QTY
DJ		6




Install [DJ] at both ends of [7], [8], and [10].

x6



STEP 37

NO	PART	QTY
S1		50

Note: Attach [S1] to the end of the screw to prevent scratching.

